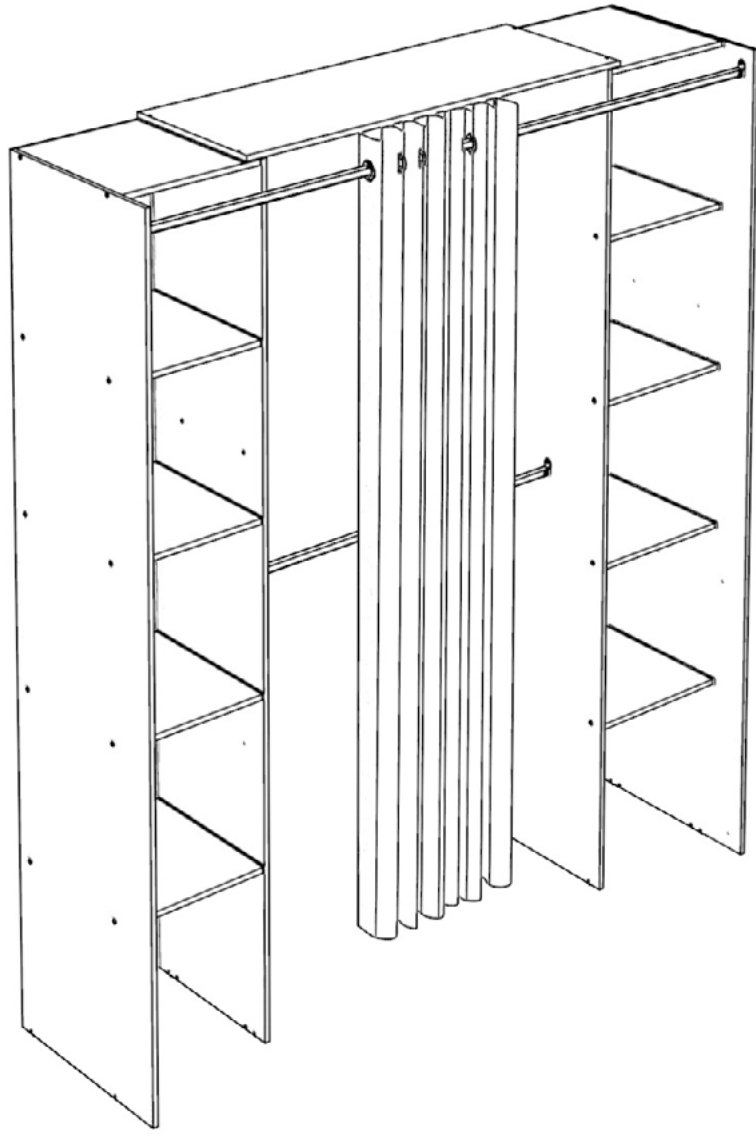
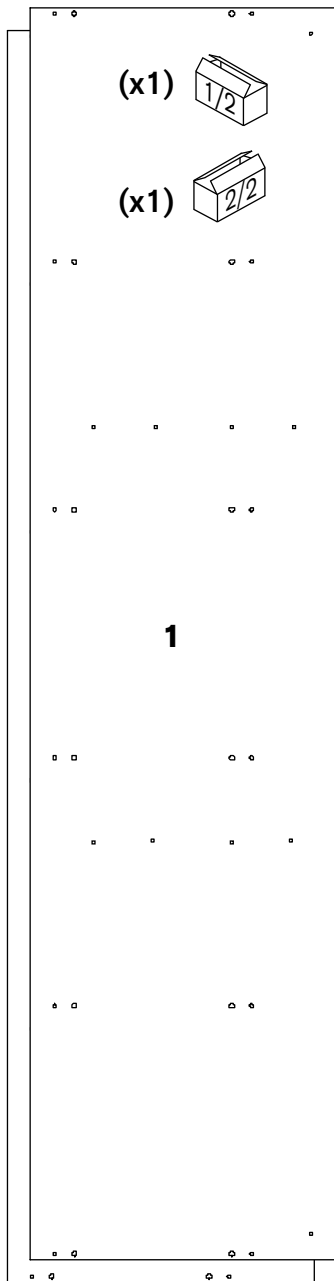
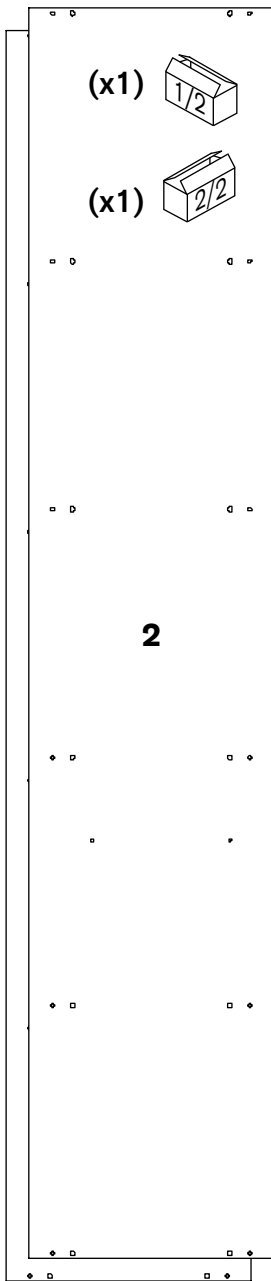


2,5 h.

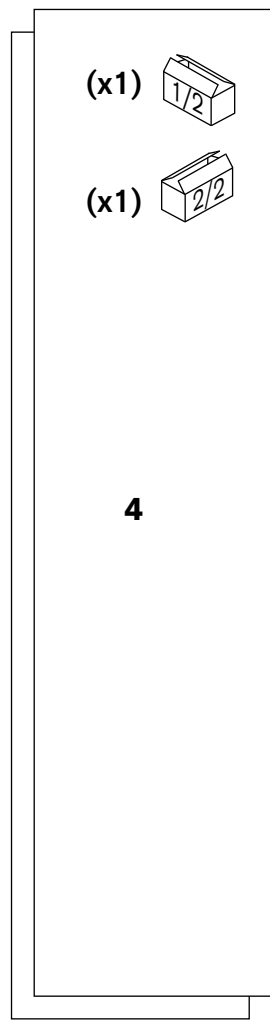




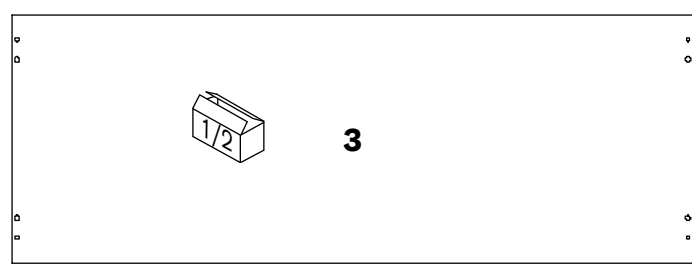
499 x 2030 mm.



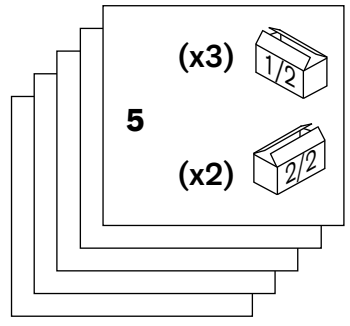
399 x 2030 mm.



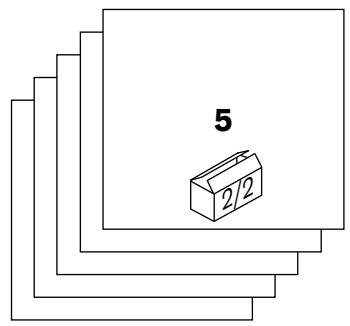
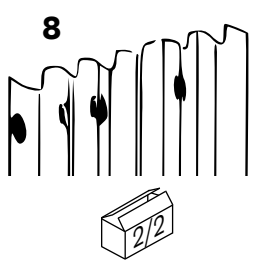
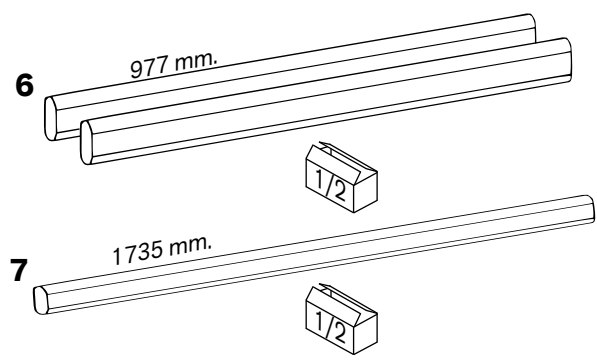
393 x 1625 mm.



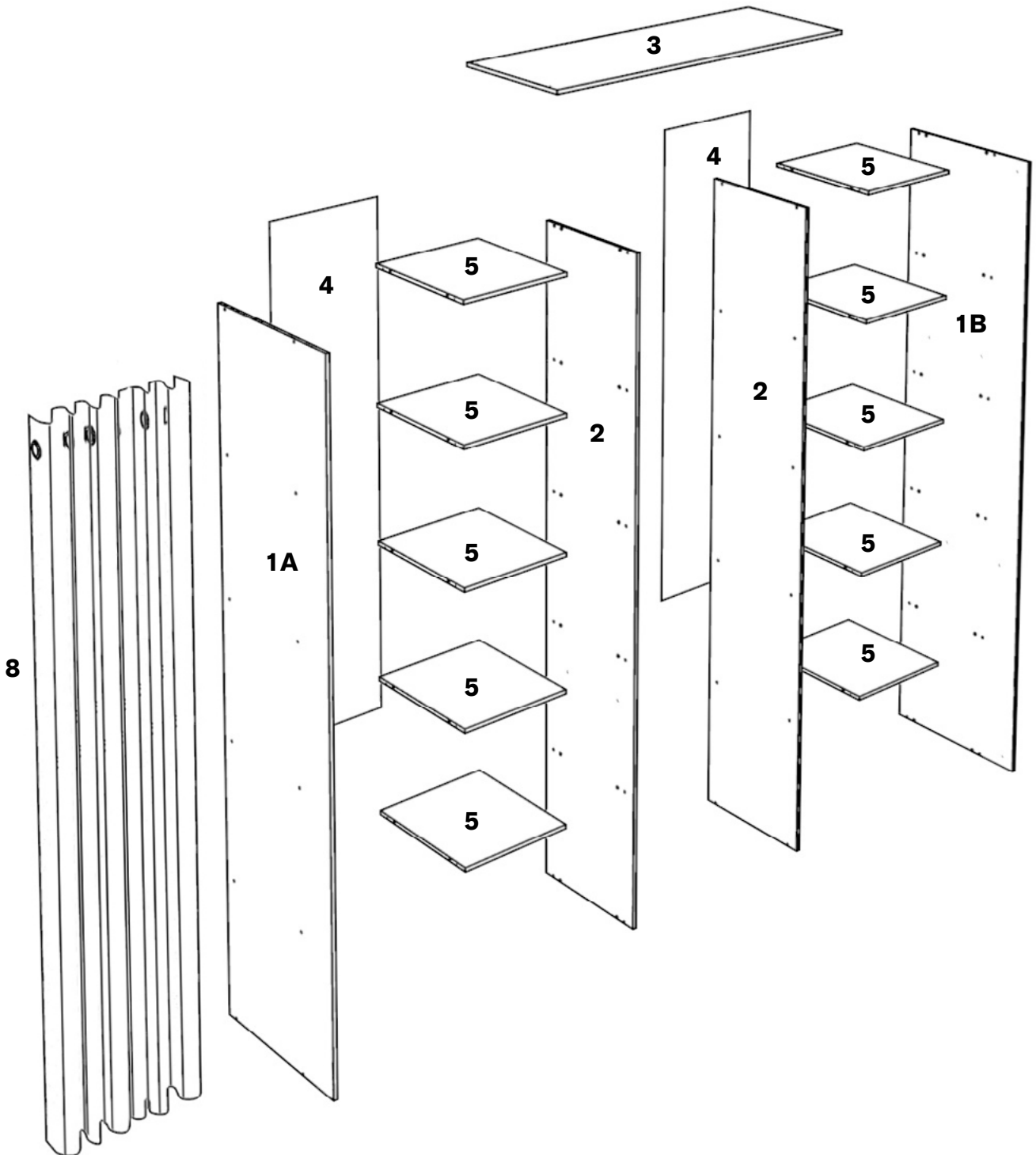
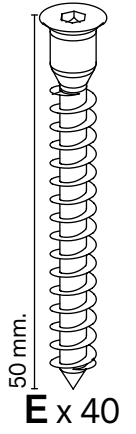
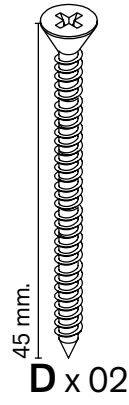
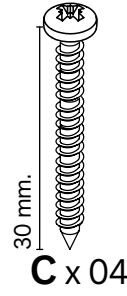
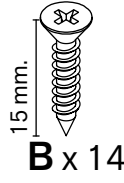
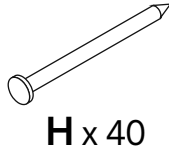
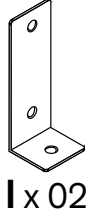
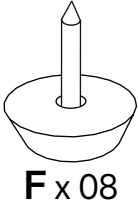
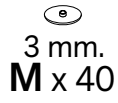
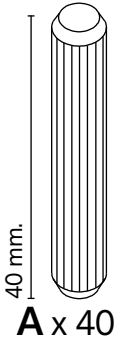
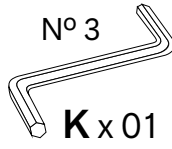
1100 x 400 mm.



397 x 363 mm.



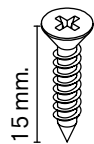
397 x 363 mm.



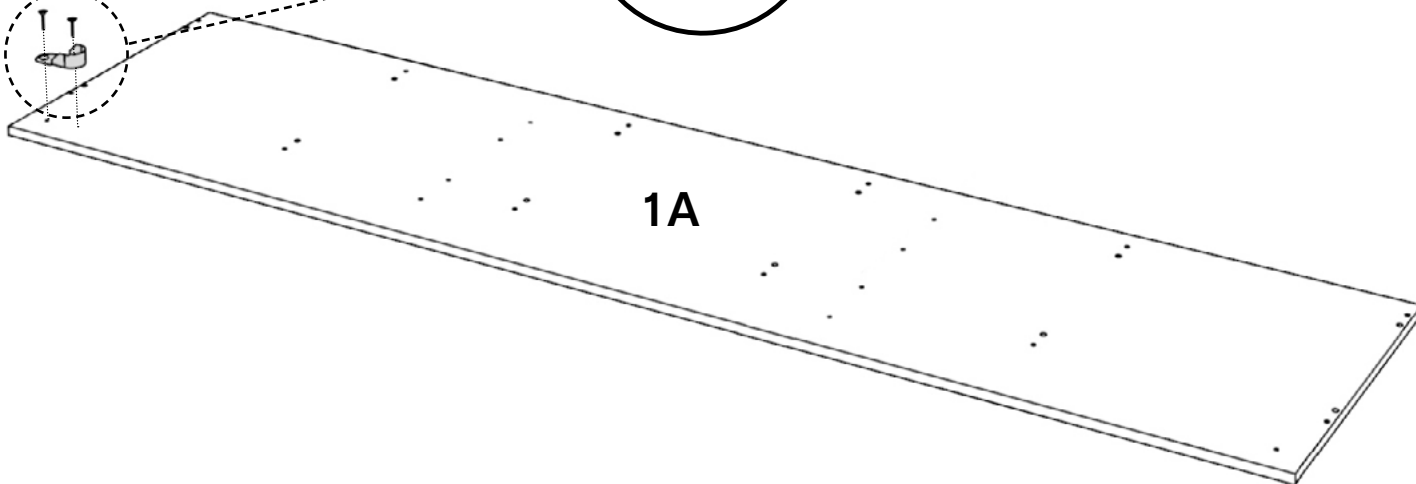
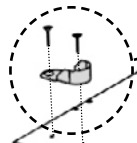
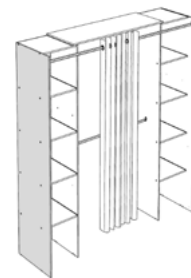
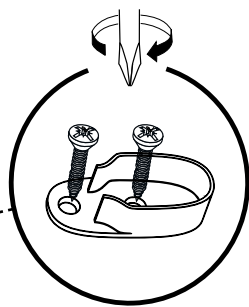
1



Jx01



15 mm.  
Bx02

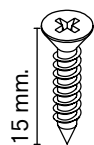


1A

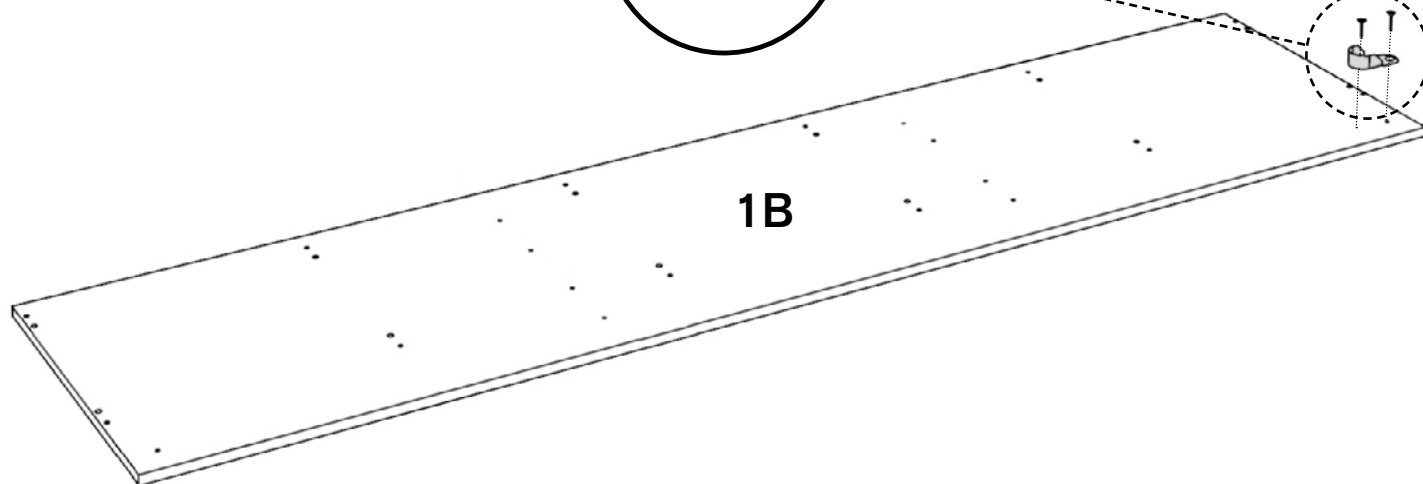
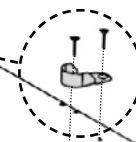
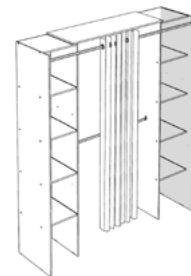
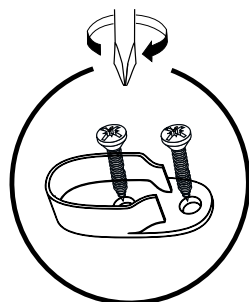
2



Jx01



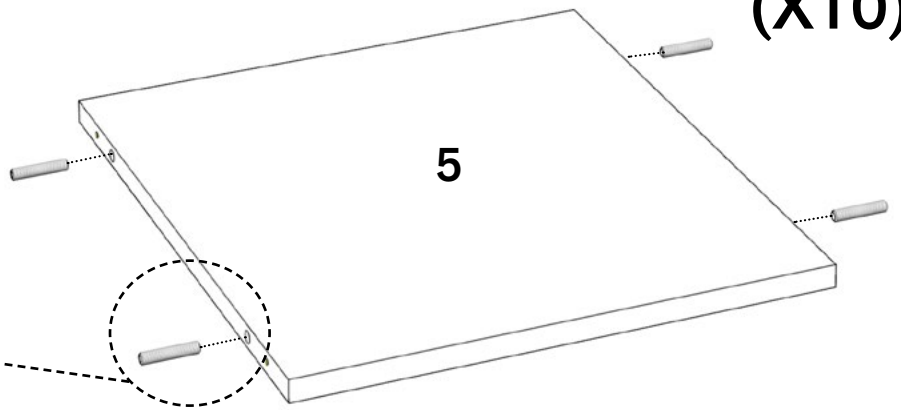
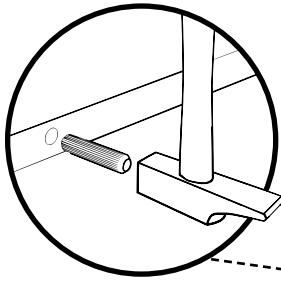
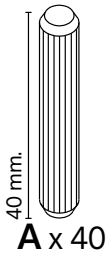
15 mm.  
Bx02



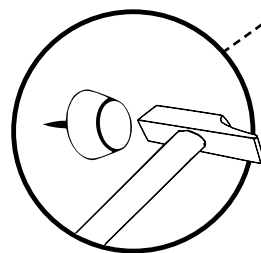
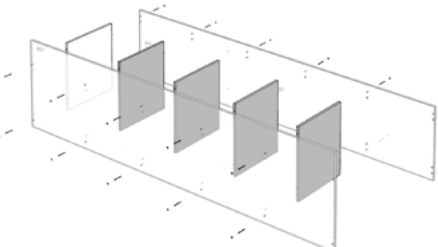
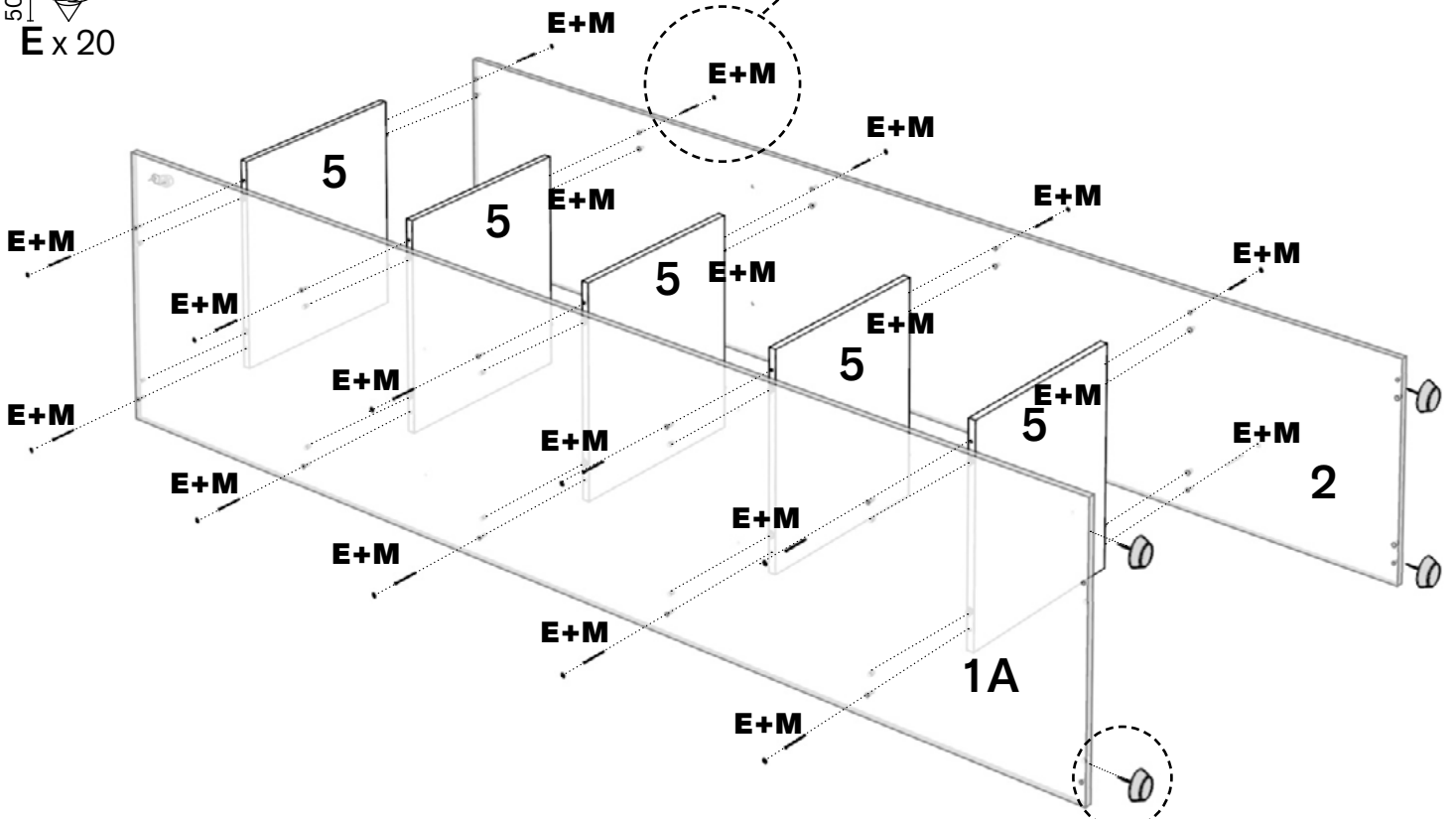
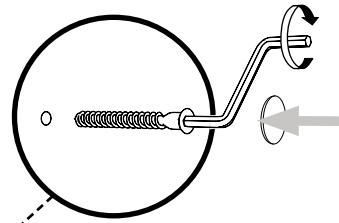
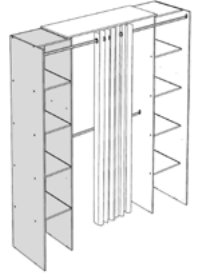
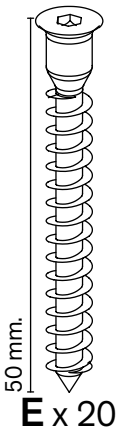
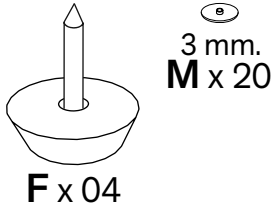
1B

3

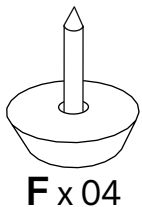
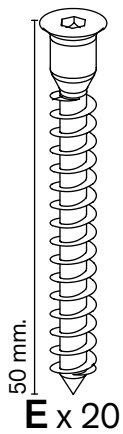
(X10)



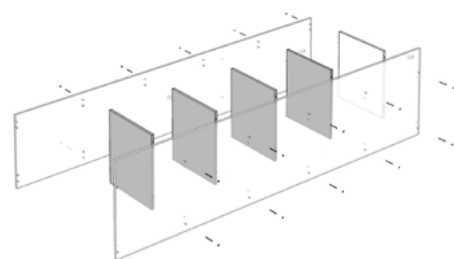
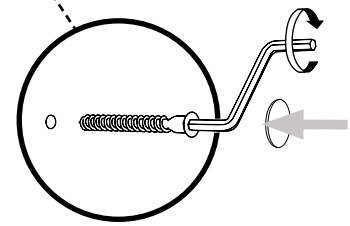
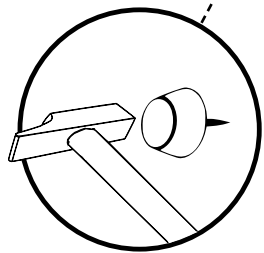
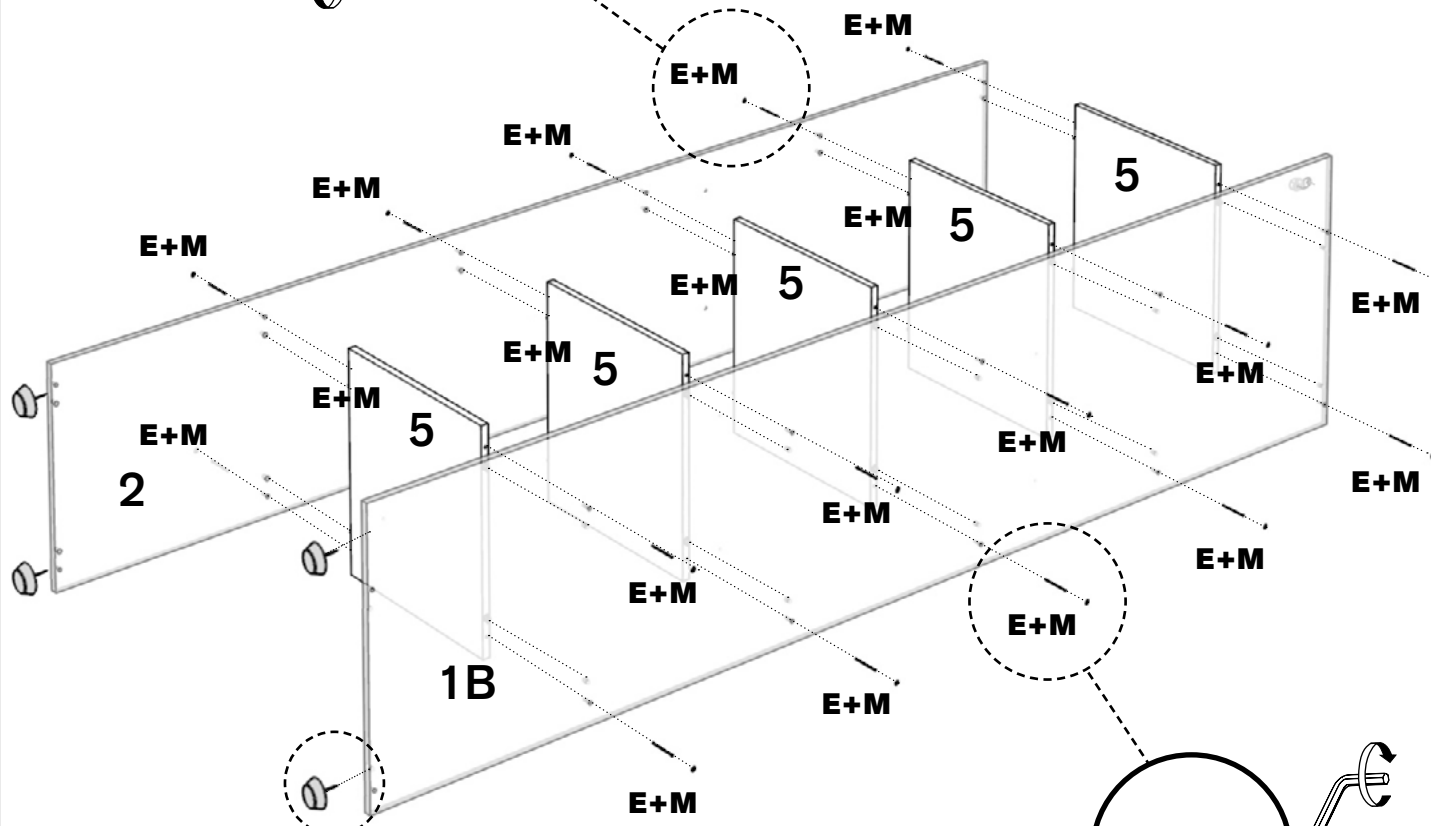
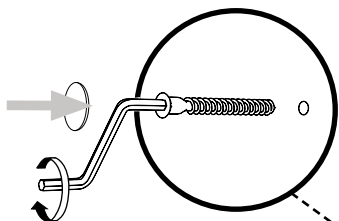
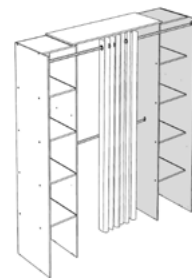
4



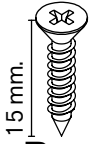
5



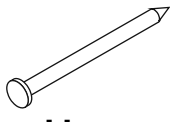
3 mm.  
M x 20



6



B x 08

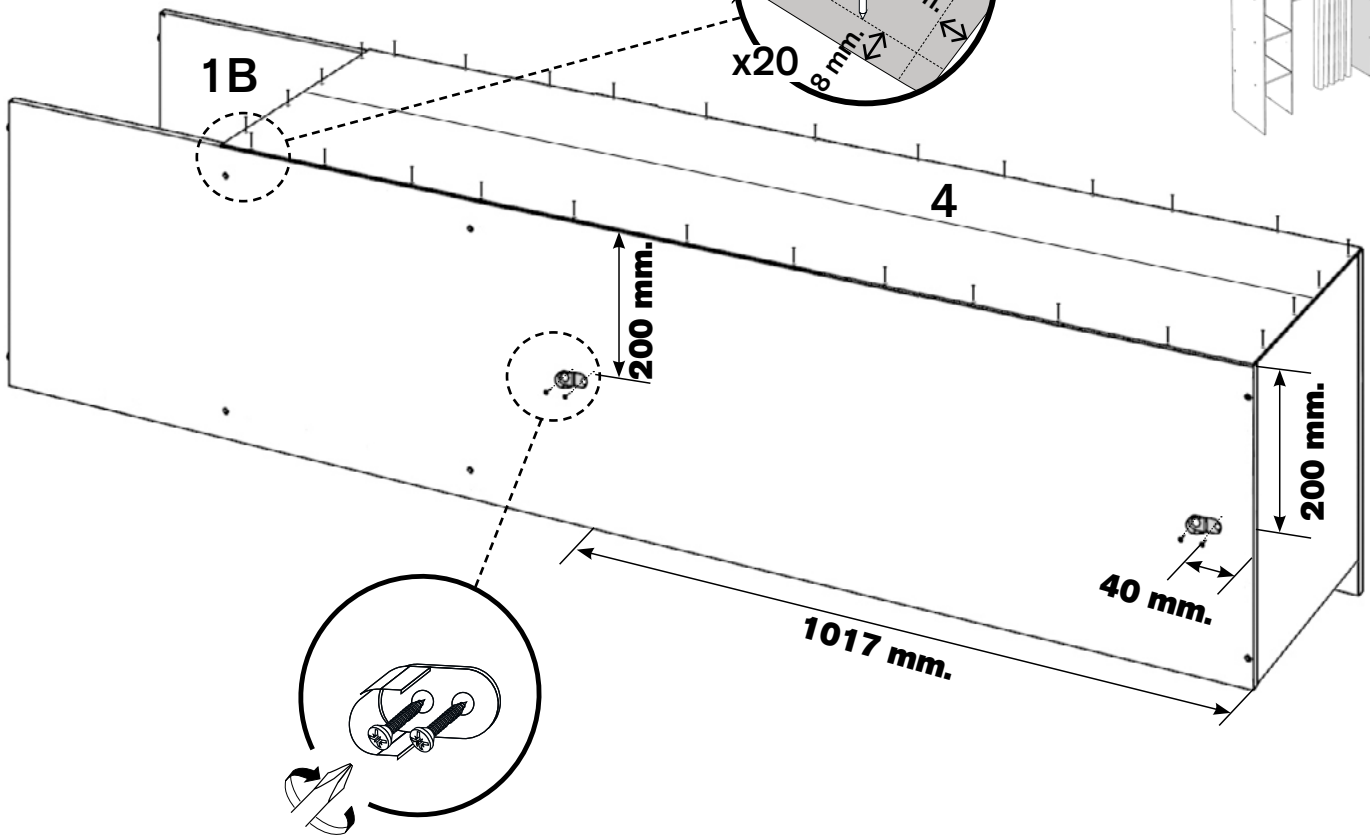
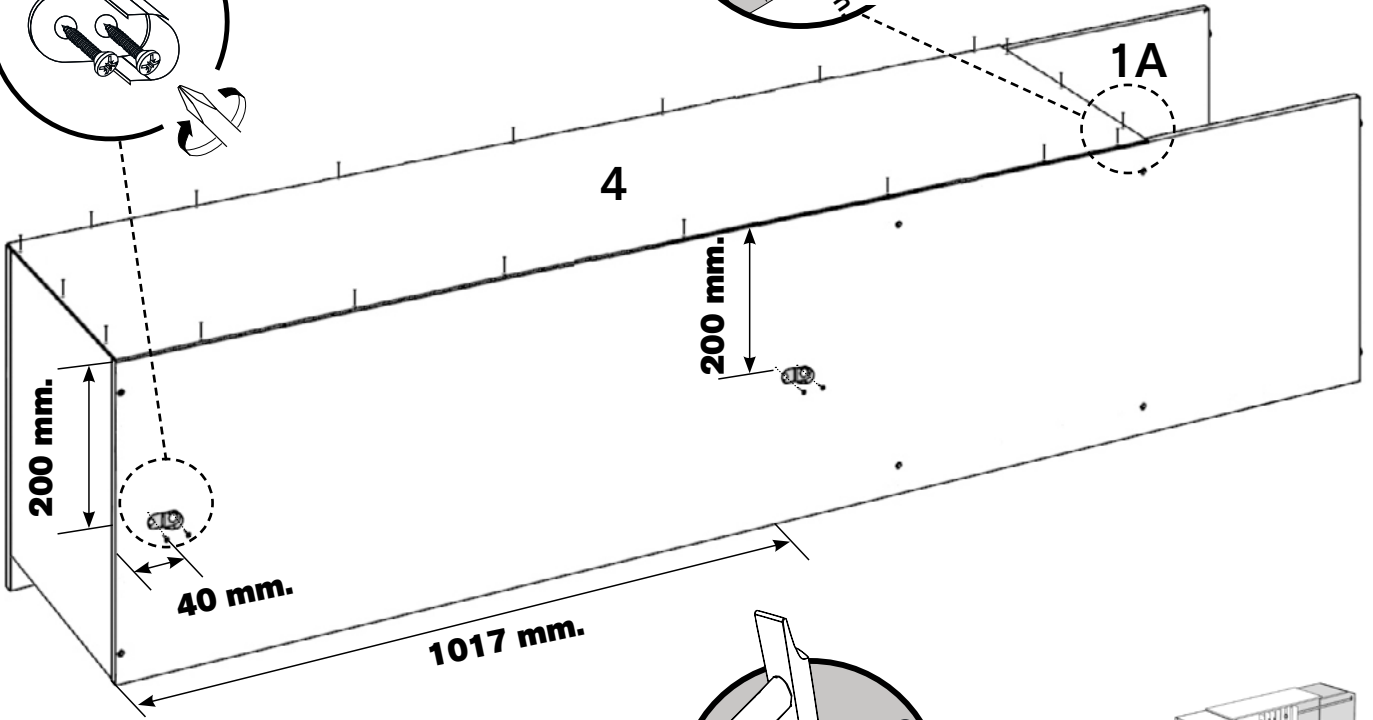
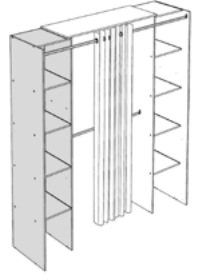
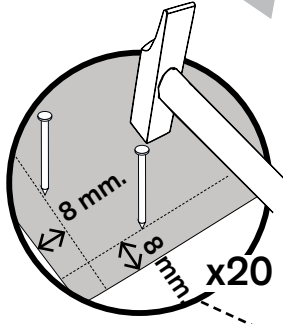
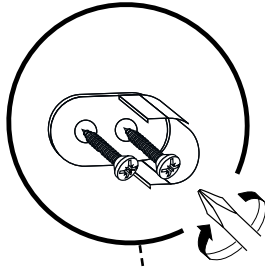


H x 40

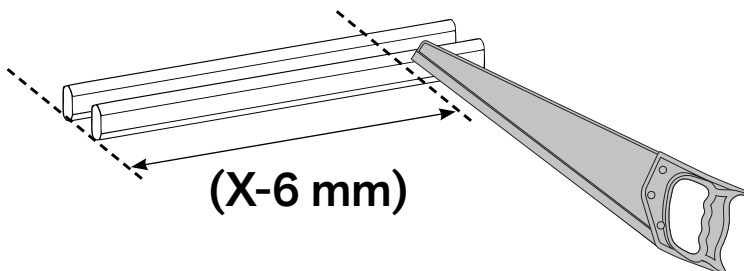
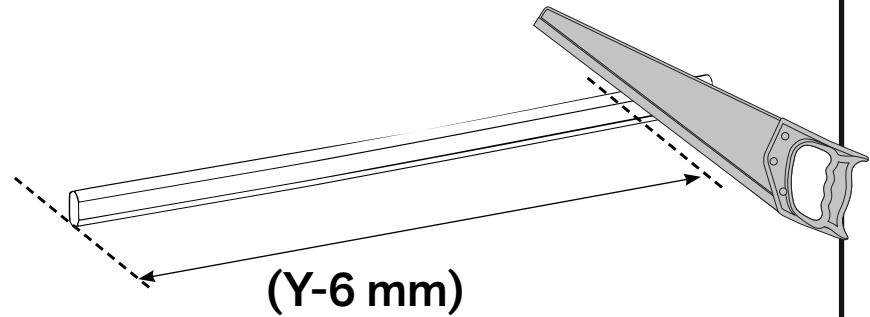
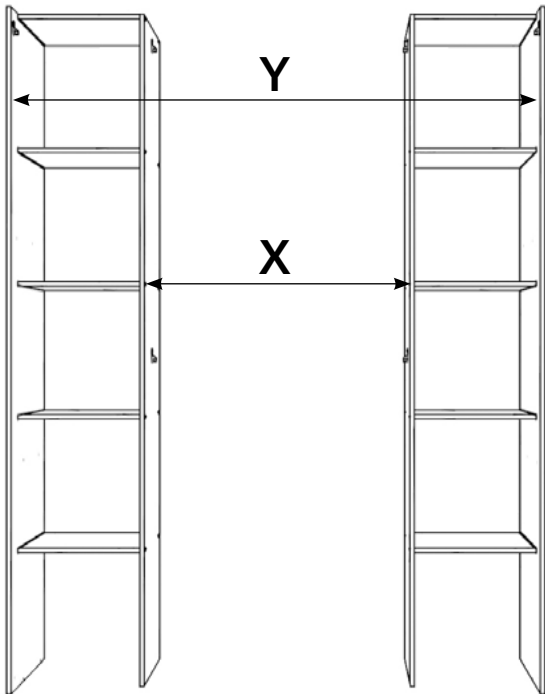
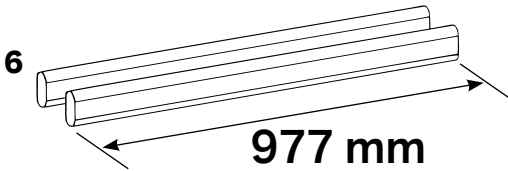
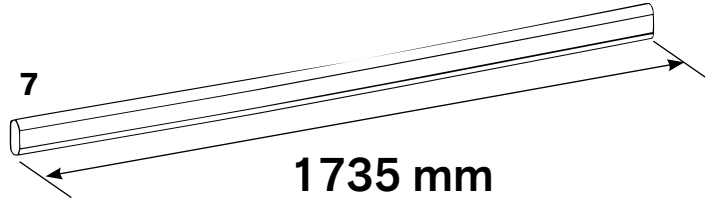
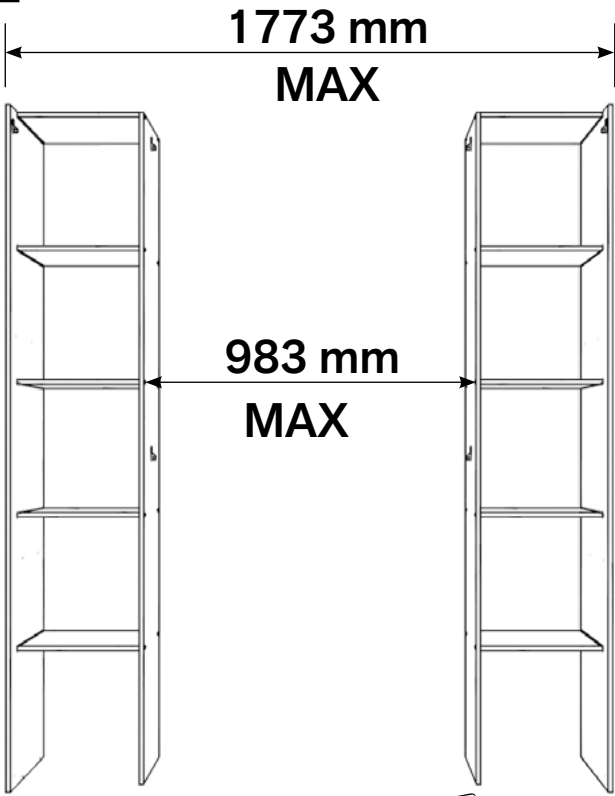


J x 04

180°

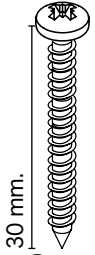


7

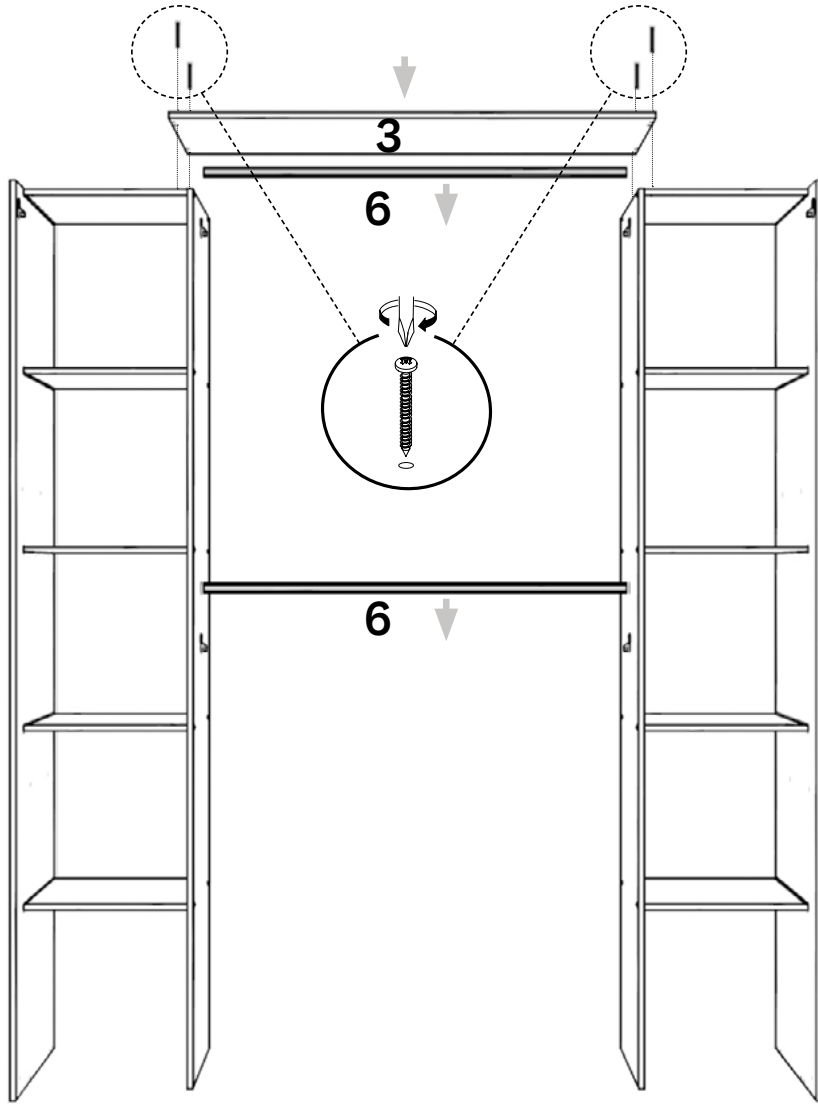




8

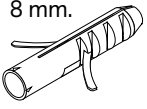


C x 04

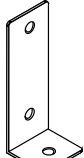


9

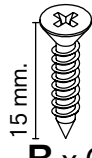
8 mm.



G x 02



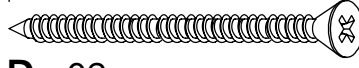
I x 02



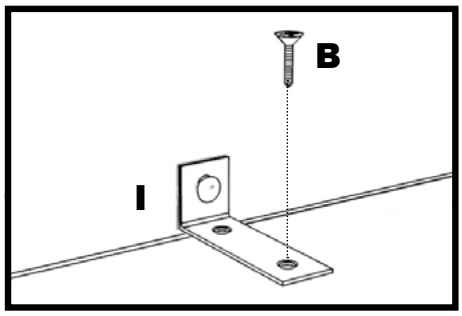
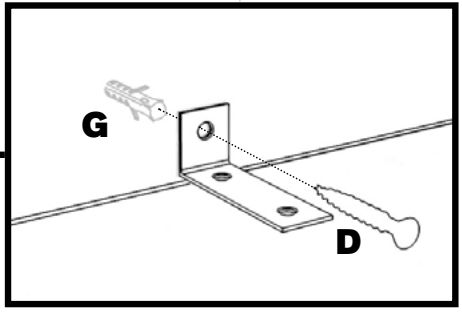
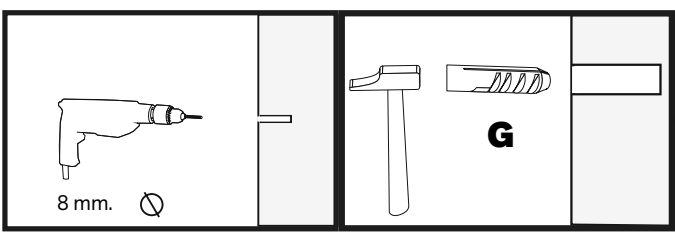
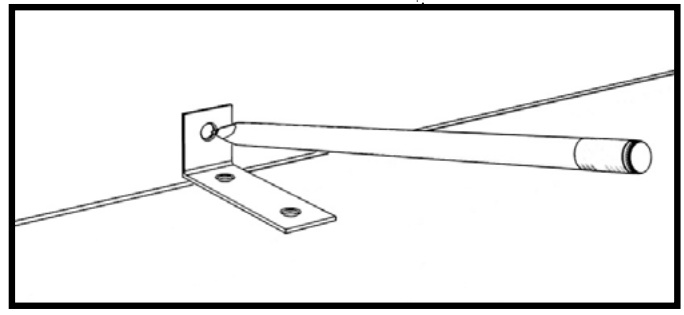
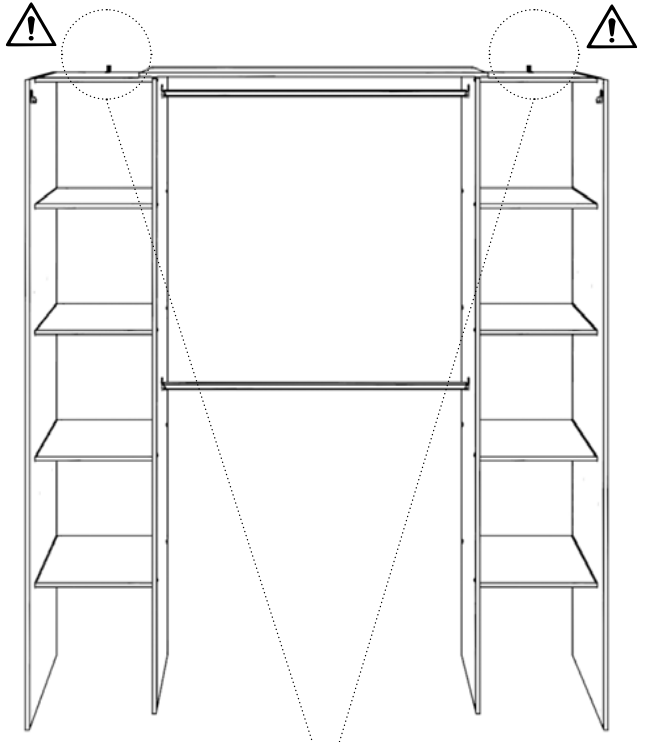
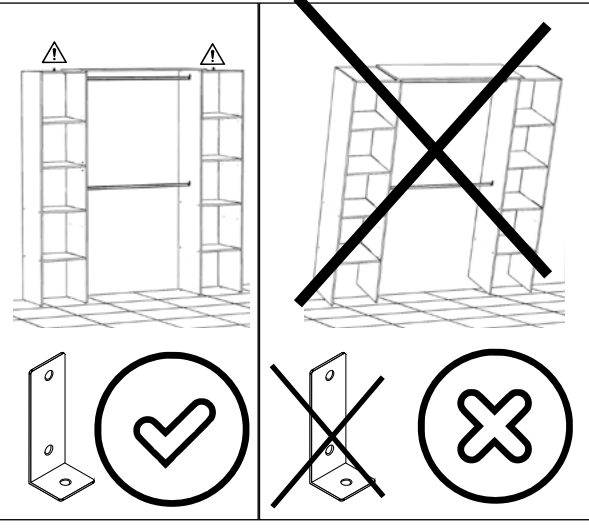
15 mm.

B x 02

45 mm.

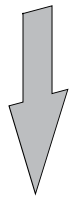
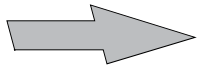


D x 02



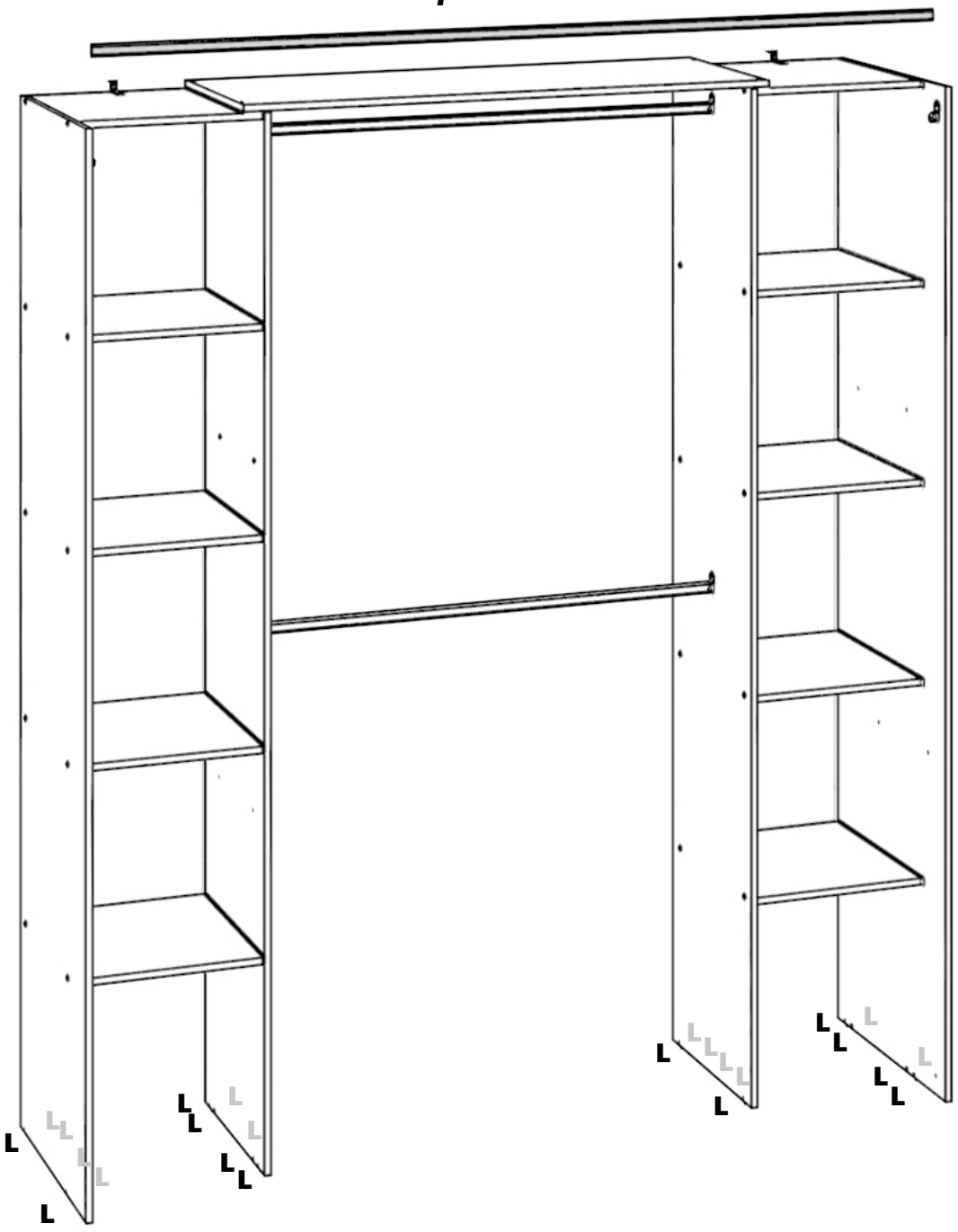
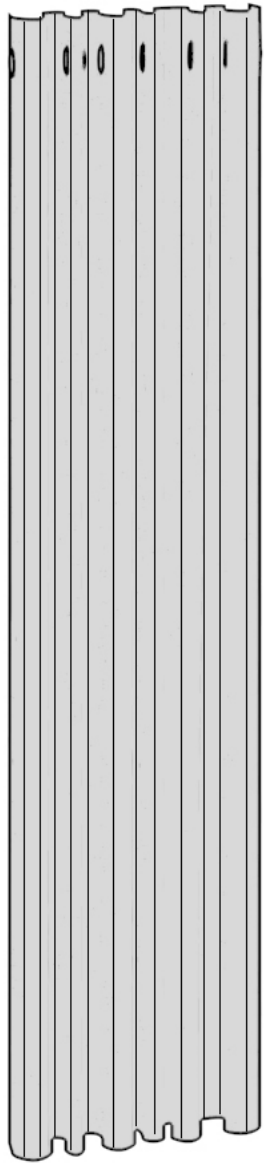
10

13 mm.  
L x 24



7

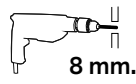
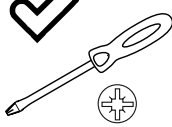
8



**DEKIT®**

K148

v.03

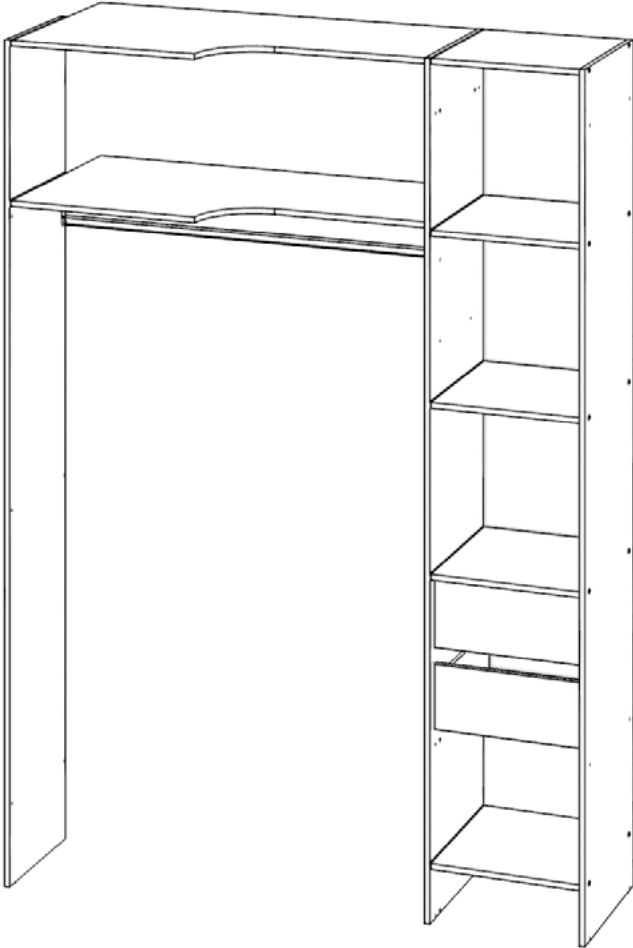


8 mm.

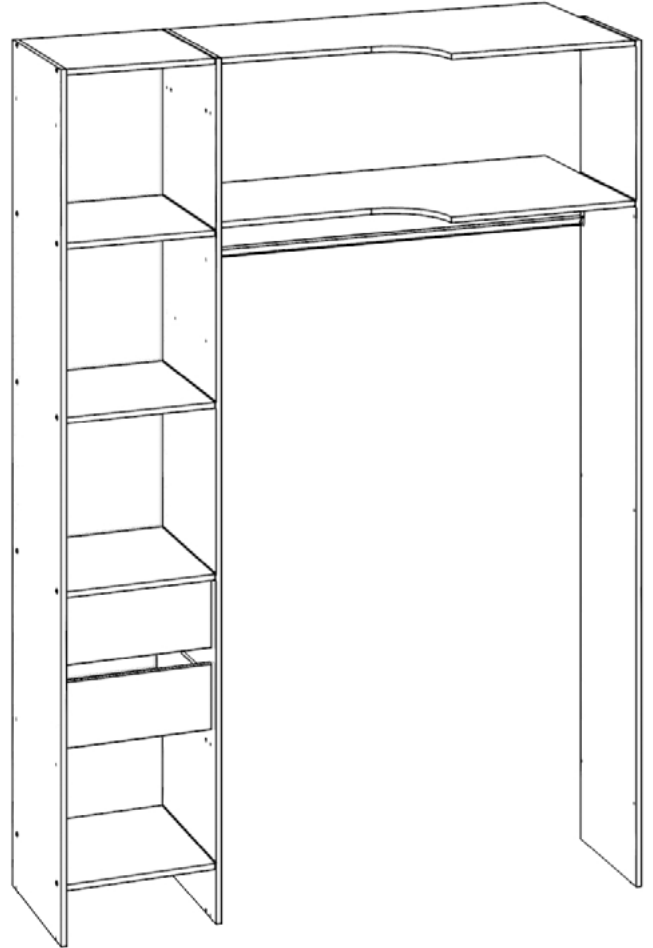


2 h.

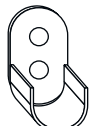
**A**



**B**



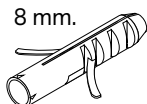
2/2



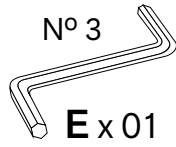
A x 02



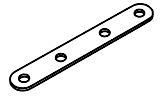
B x 11



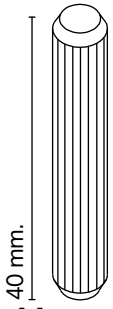
C x 01



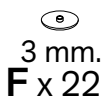
E x 01



O x 02



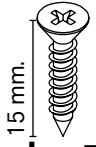
H x 20



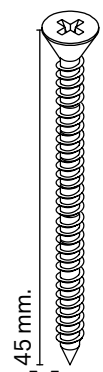
F x 22



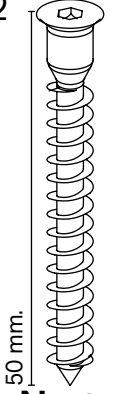
G x 36



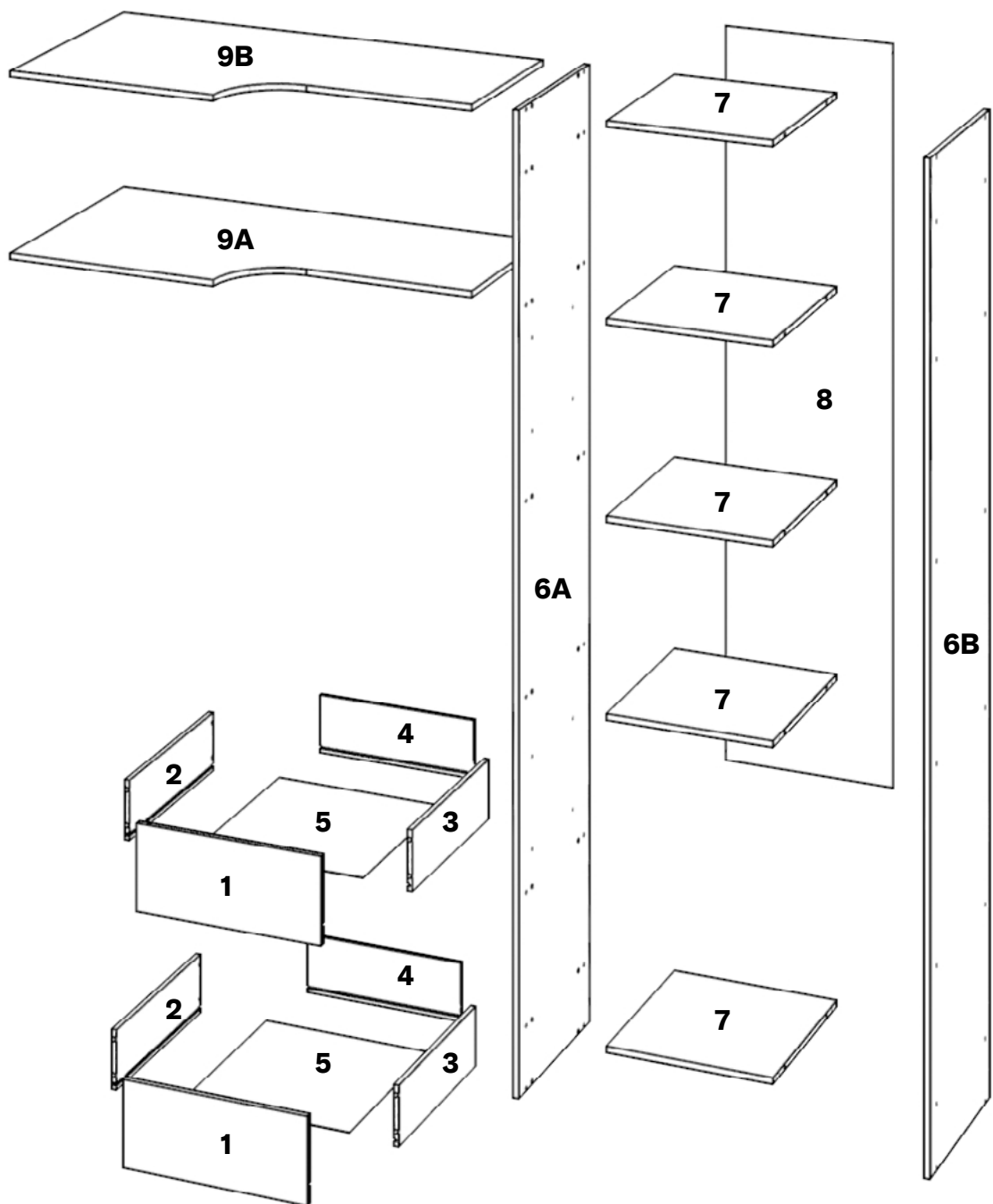
L x 51

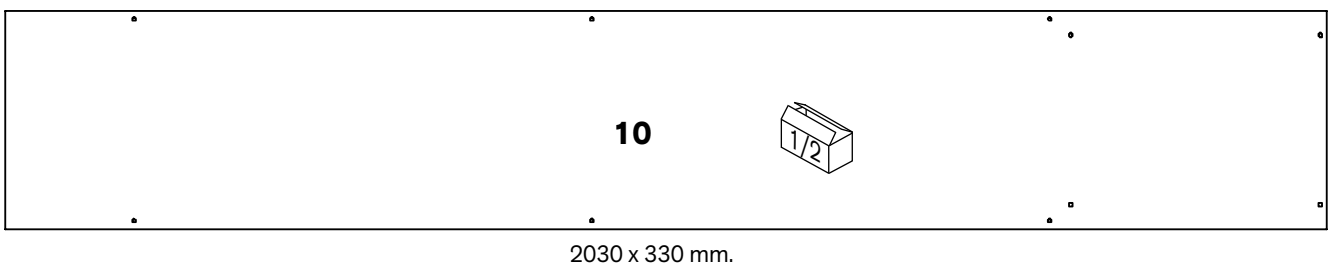
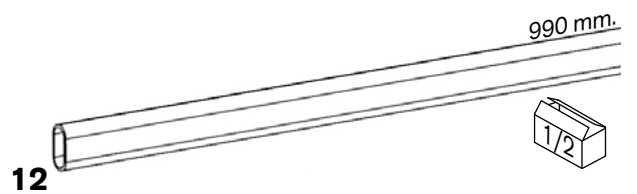
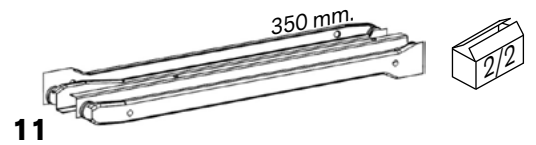
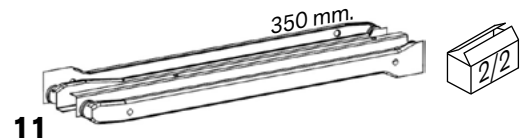
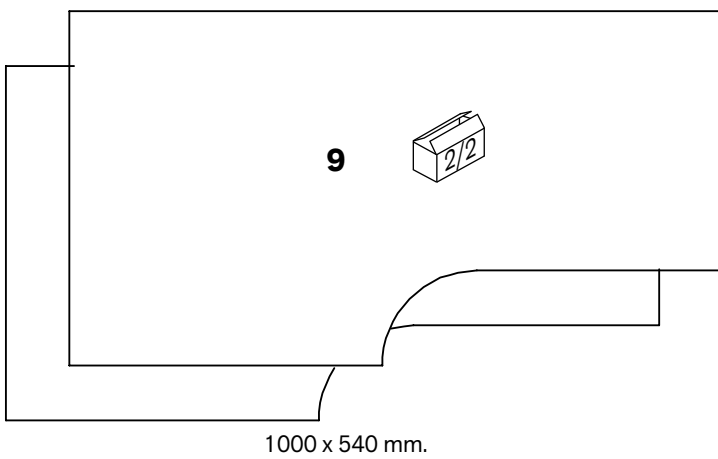
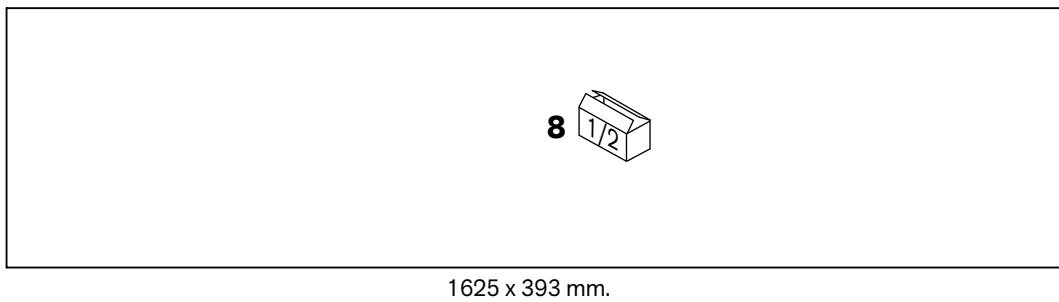
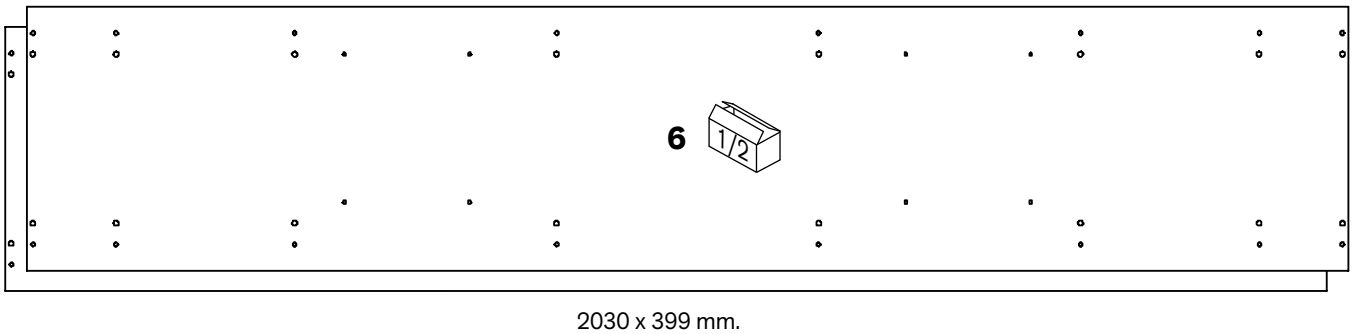
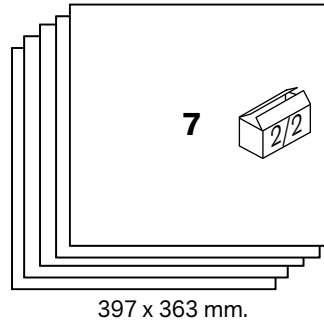
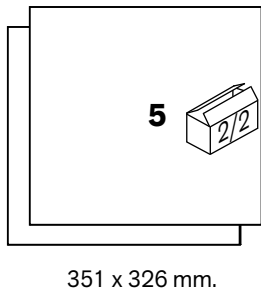
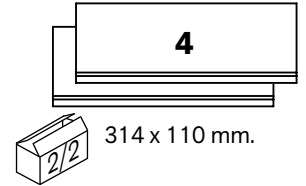
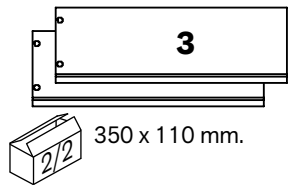
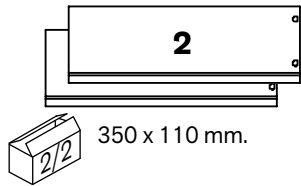
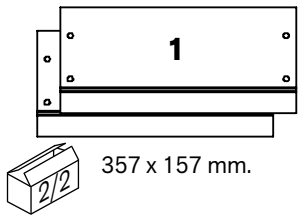


M x 01

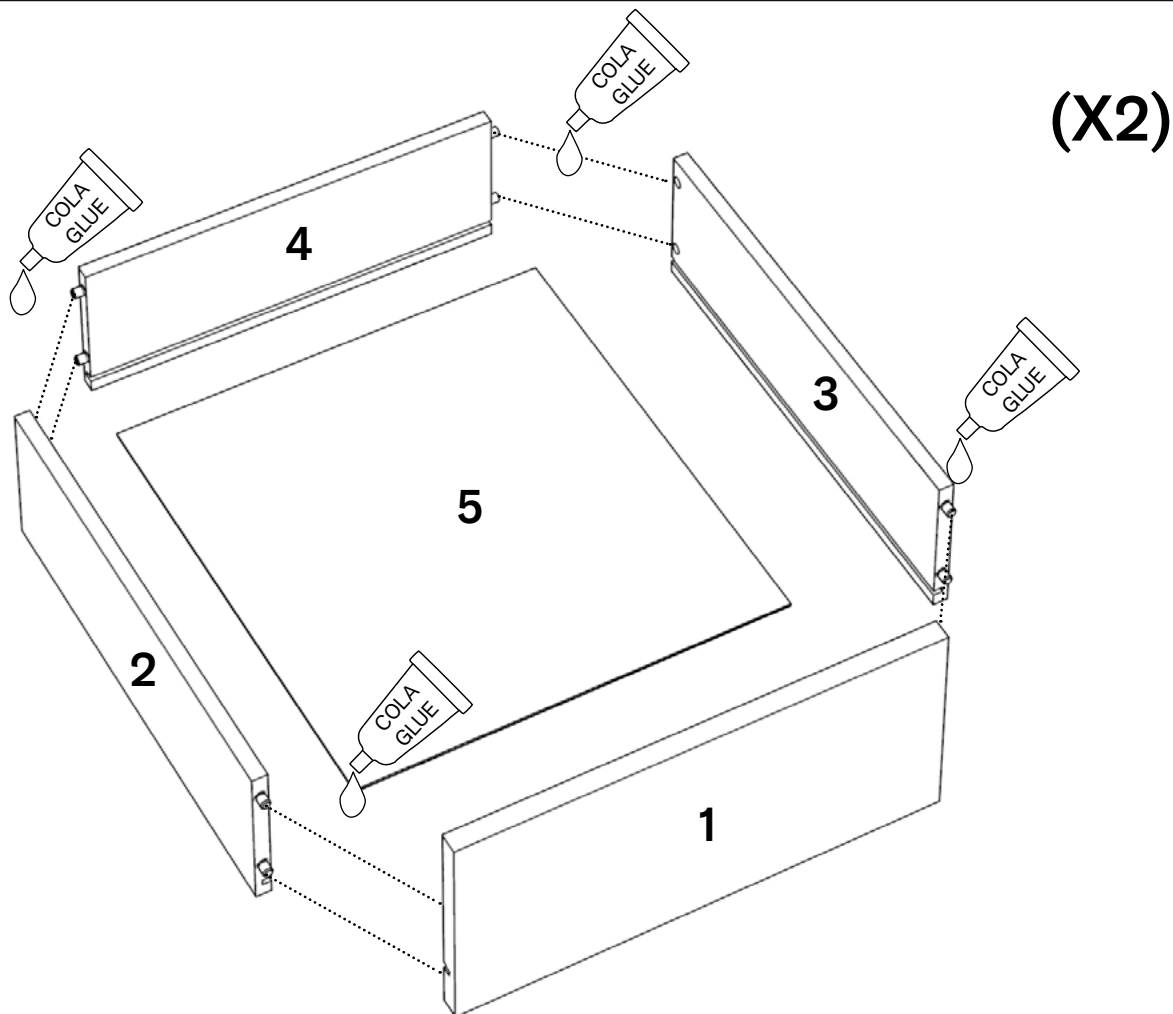


N x 24

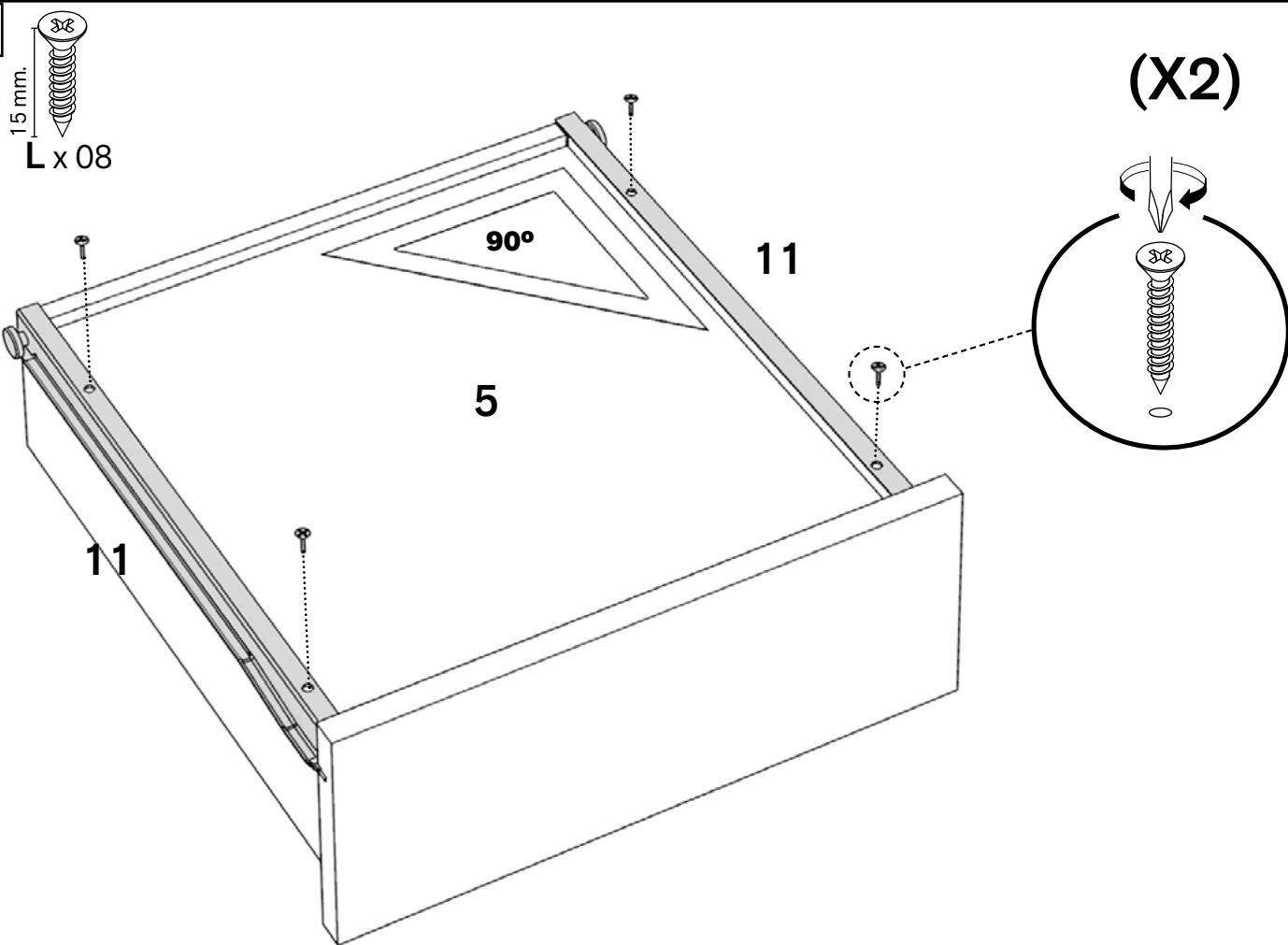




1



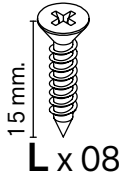
2



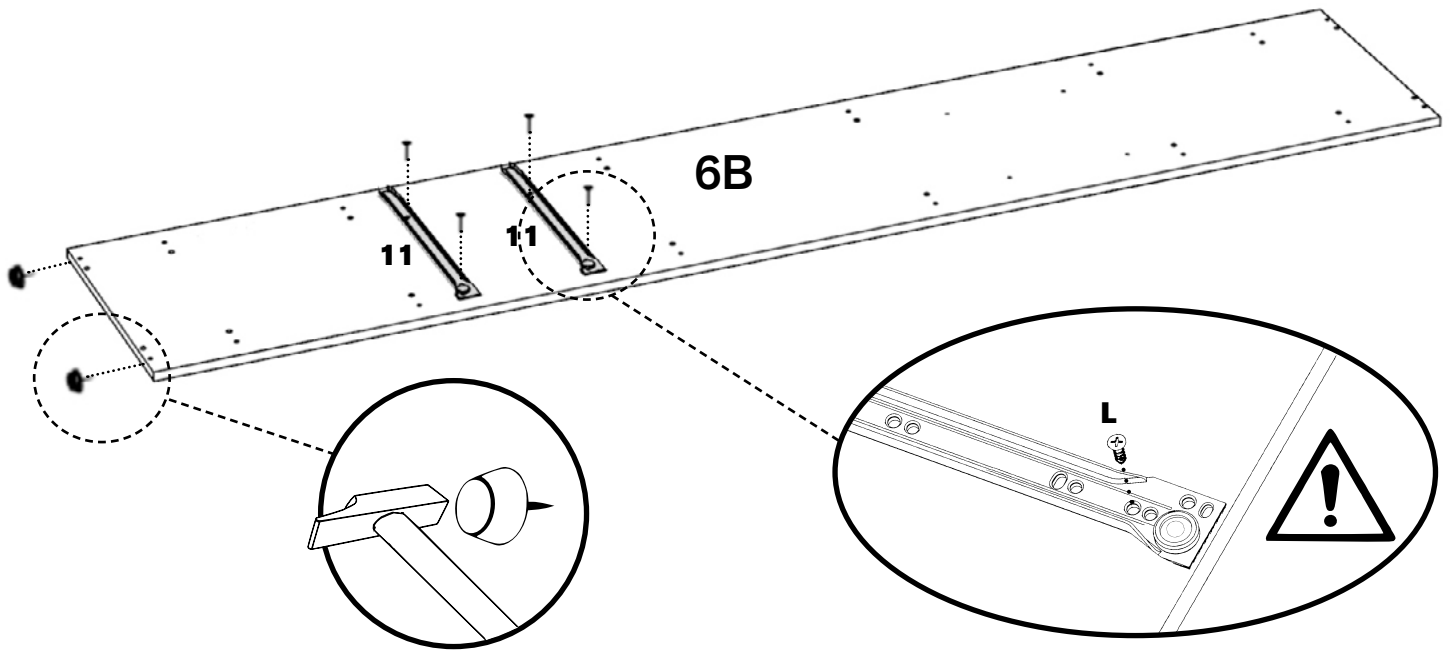
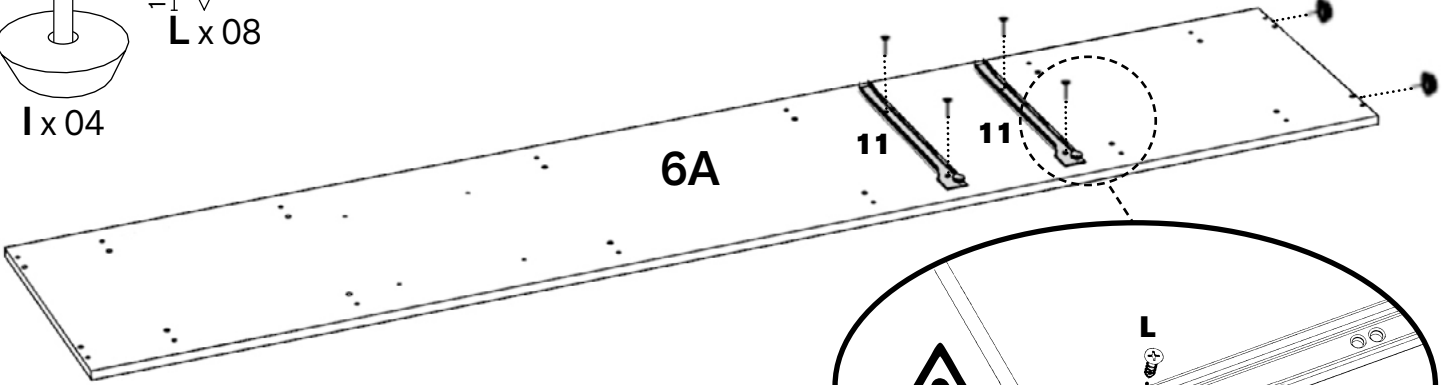
3



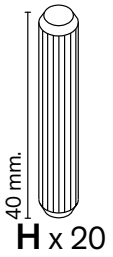
l x 04



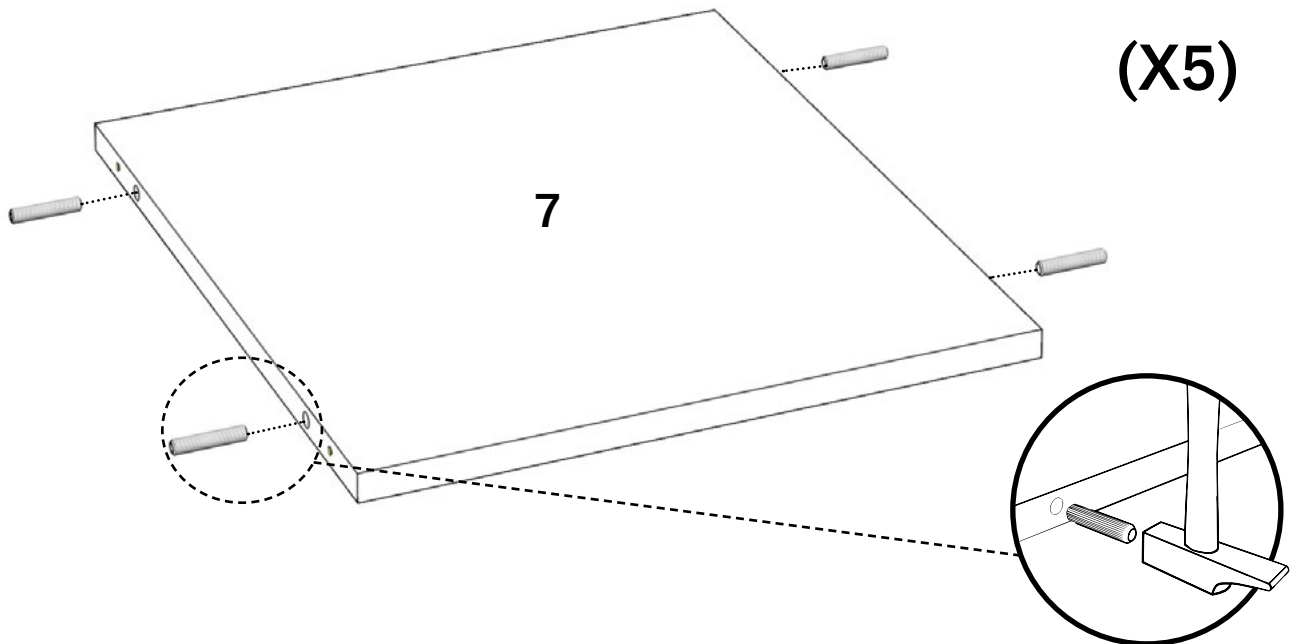
15 mm.  
L x 08



4

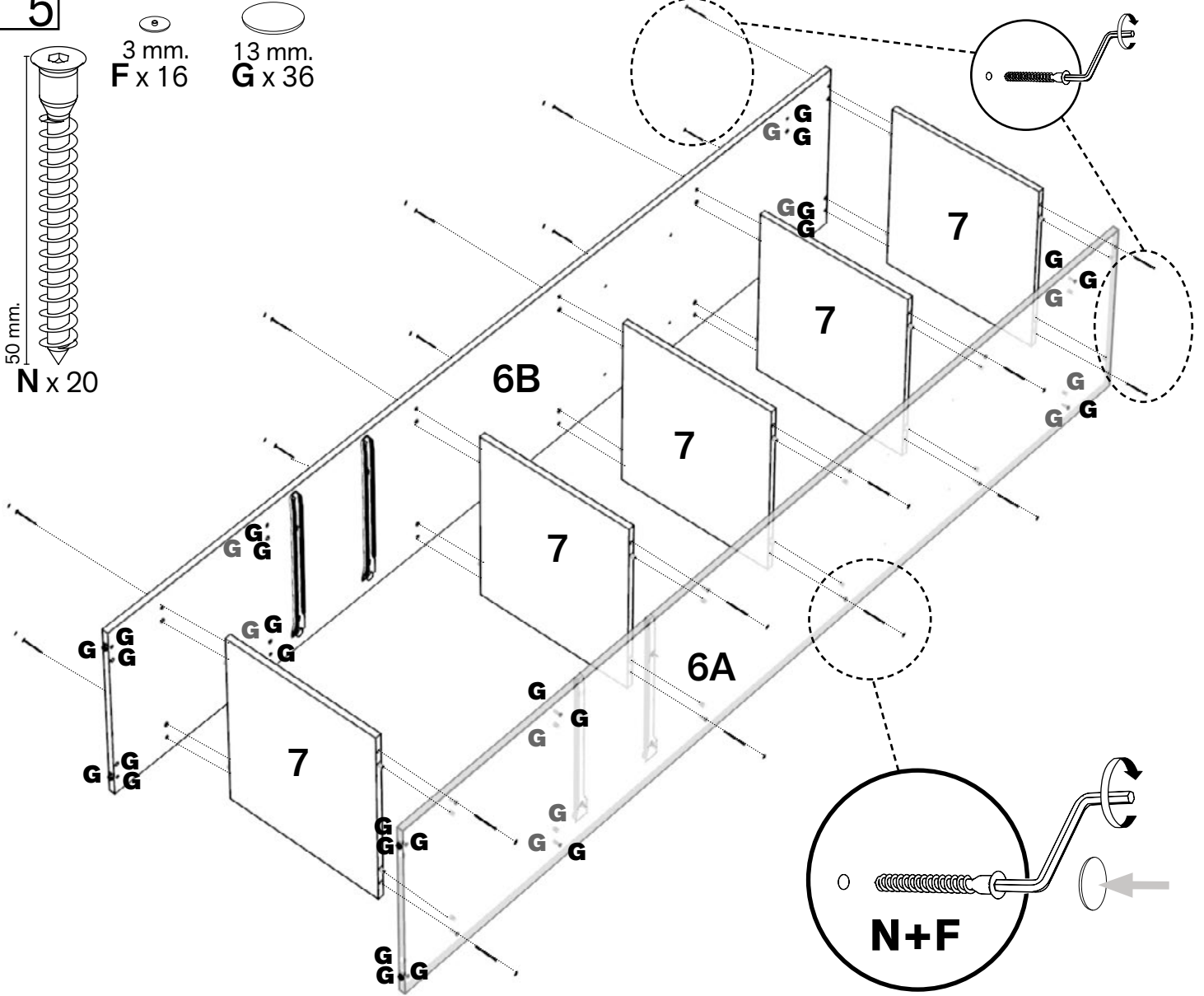


40 mm.  
H x 20

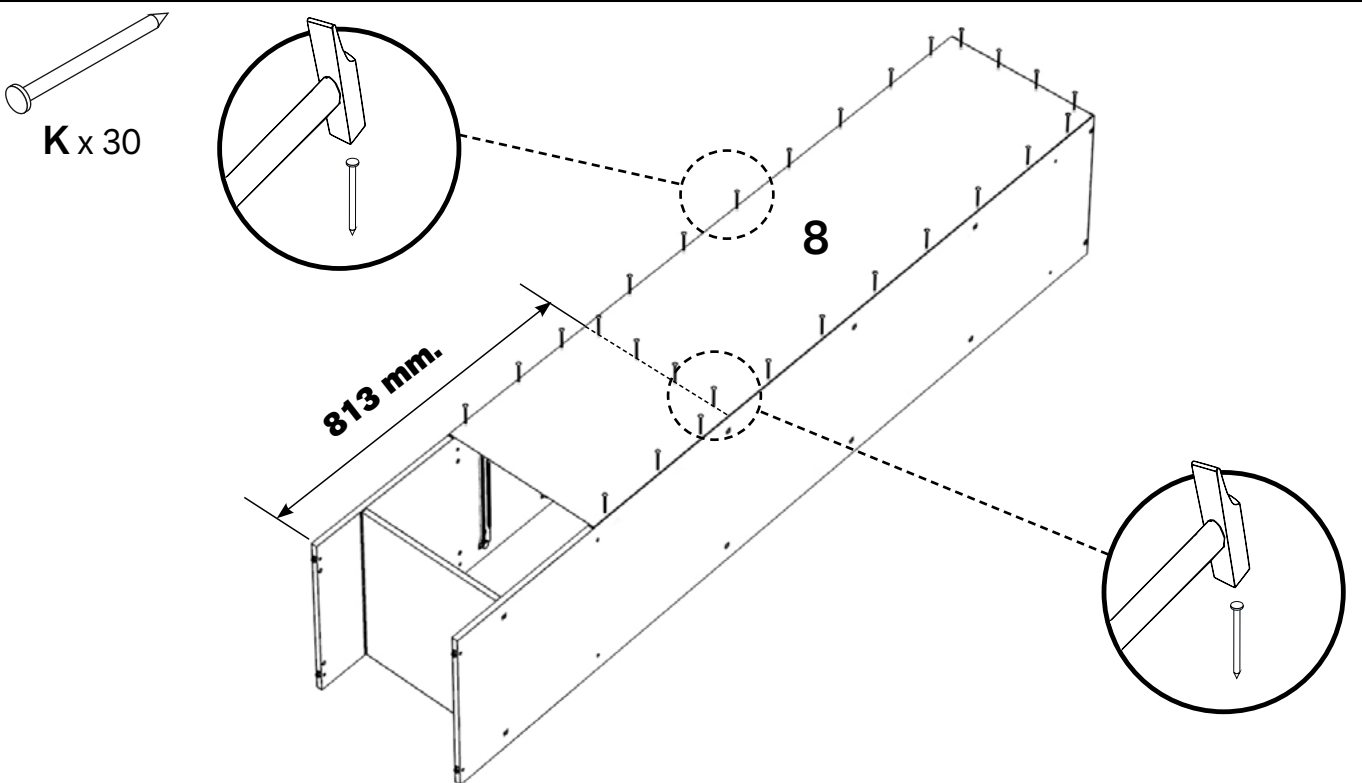


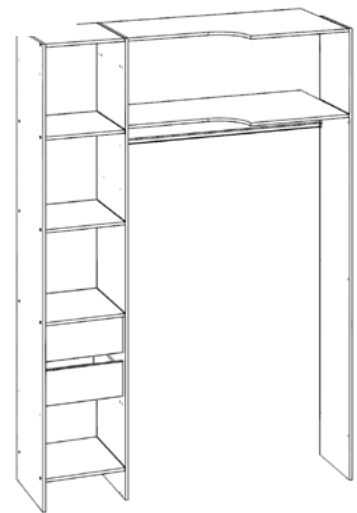
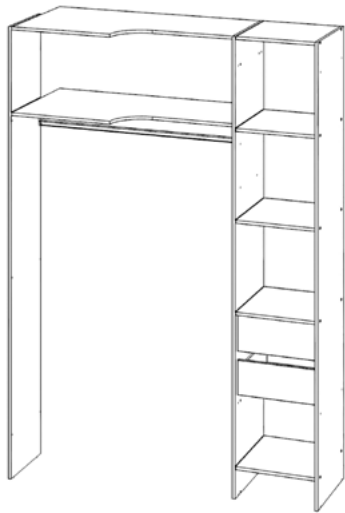


5



6

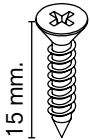




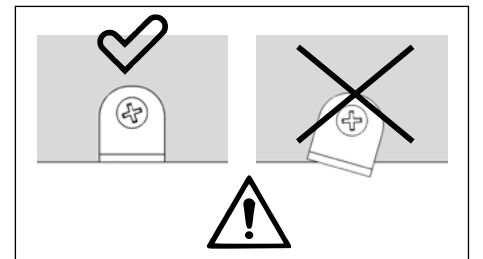
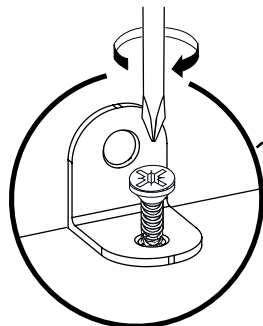
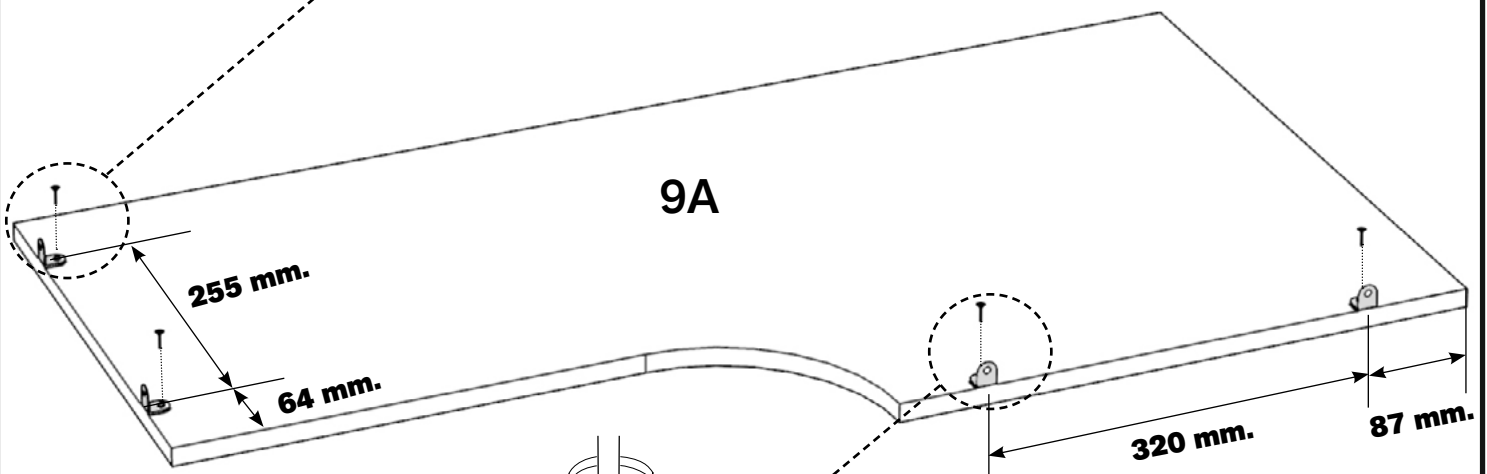
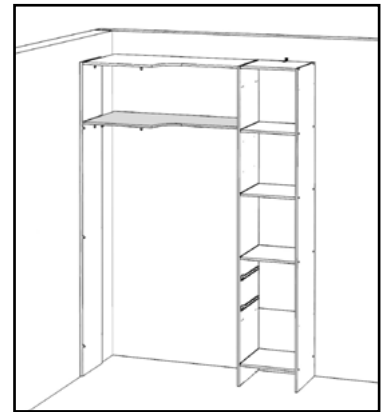
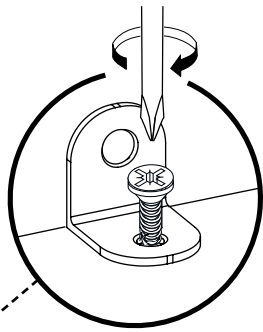
7



B x 04



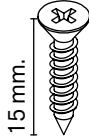
L x 04



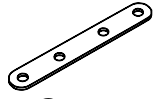
7



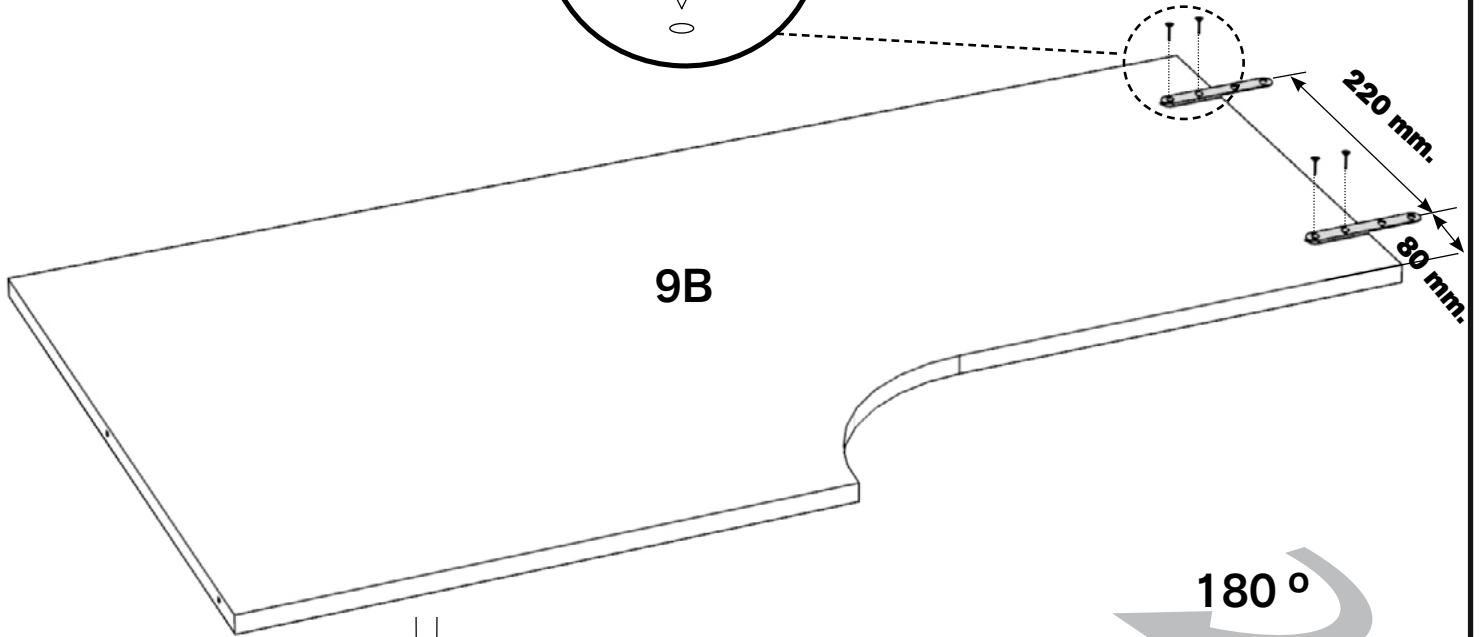
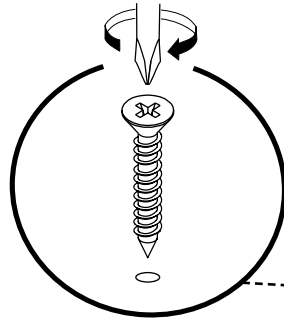
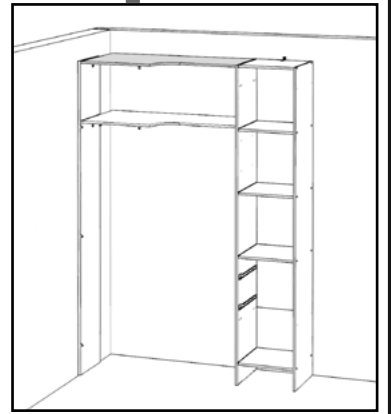
B x 04



L x 08  
15 mm.

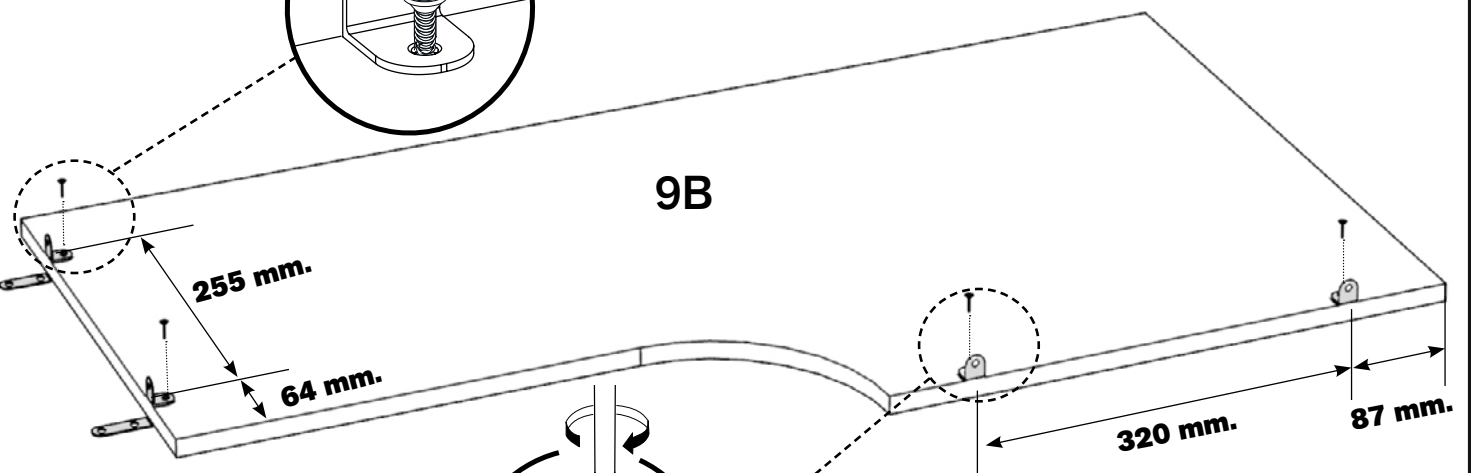
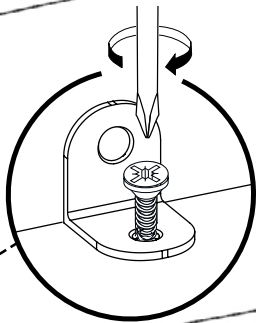


O x 02

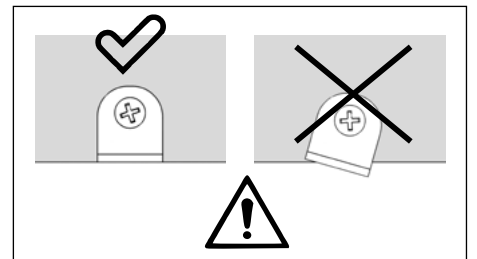
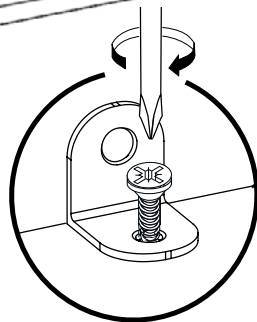


9B

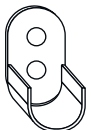
180°



9B



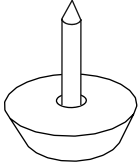
8



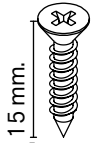
A x 01



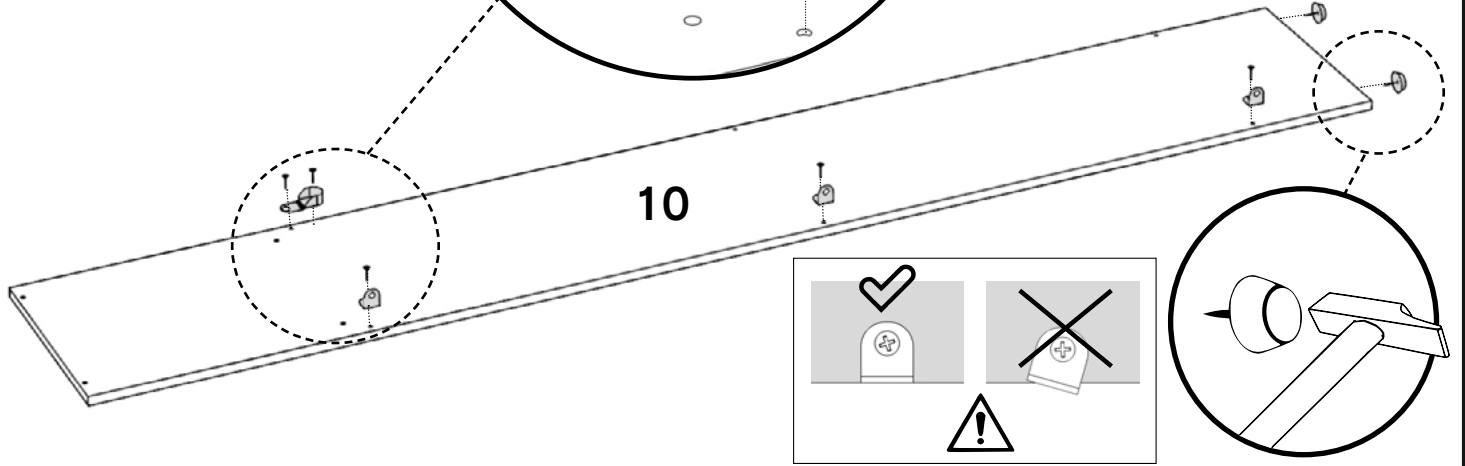
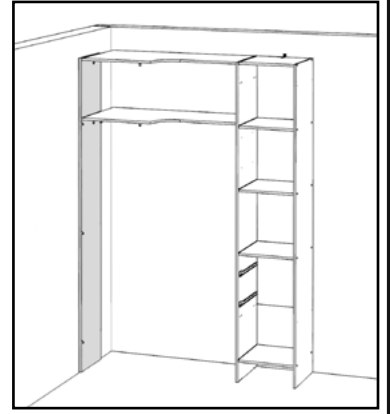
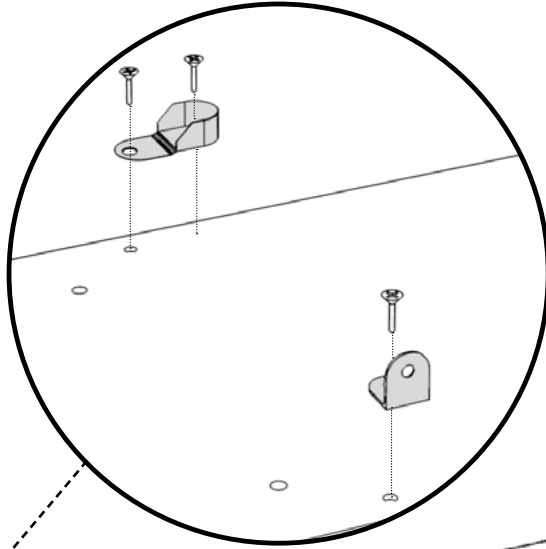
B x 03



I x 02

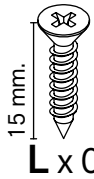


L x 05  
15 mm.

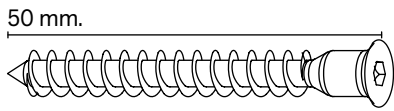


9

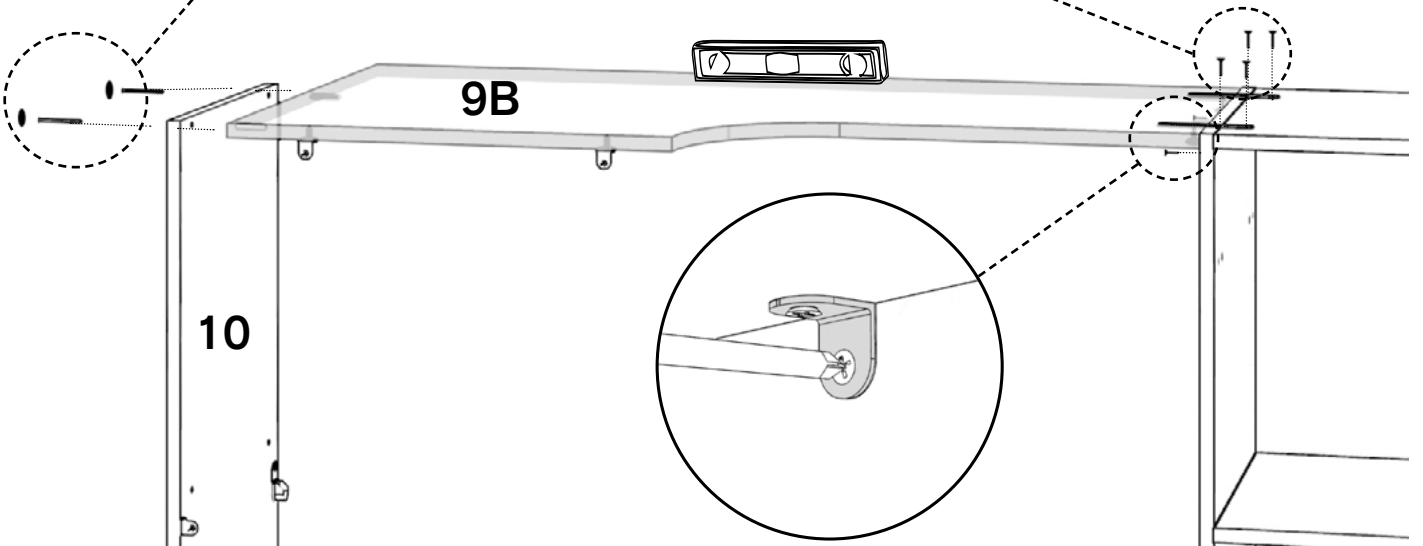
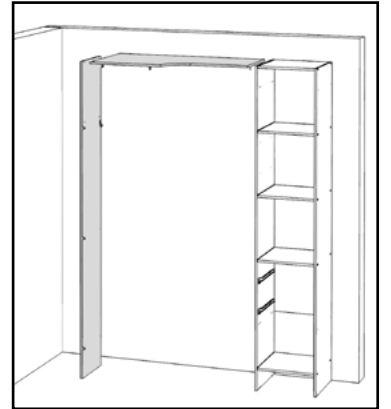
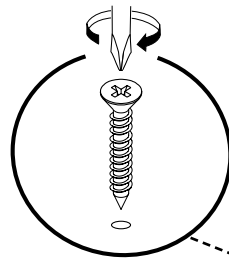
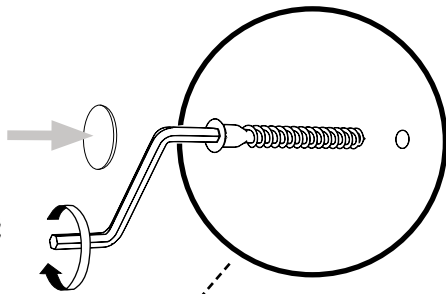
3 mm.  
F x 02



L x 06  
15 mm.



N x 02  
50 mm.



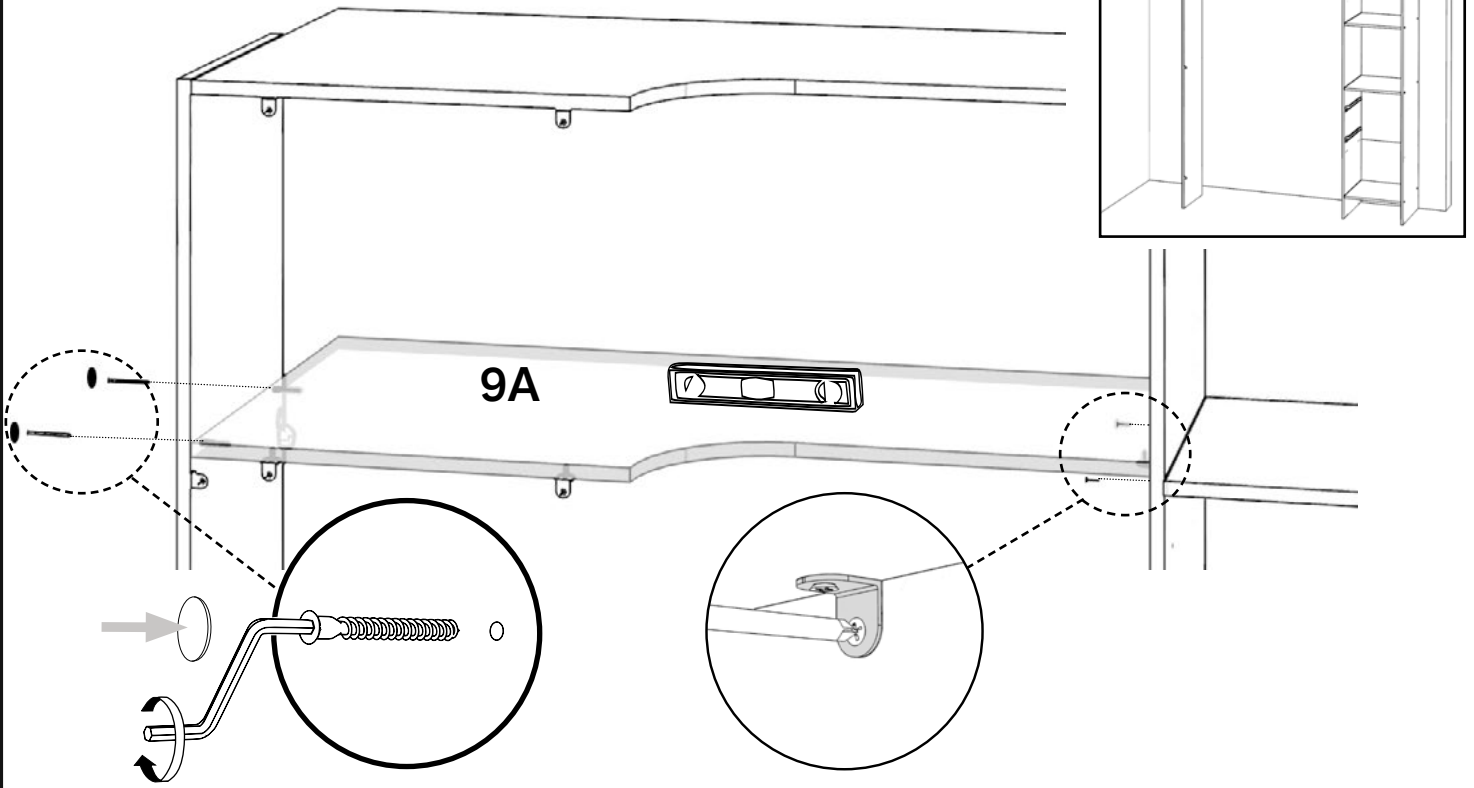
10

3 mm.  
F x 02

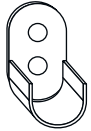
15 mm.  
L x 02

50 mm.

N x 02

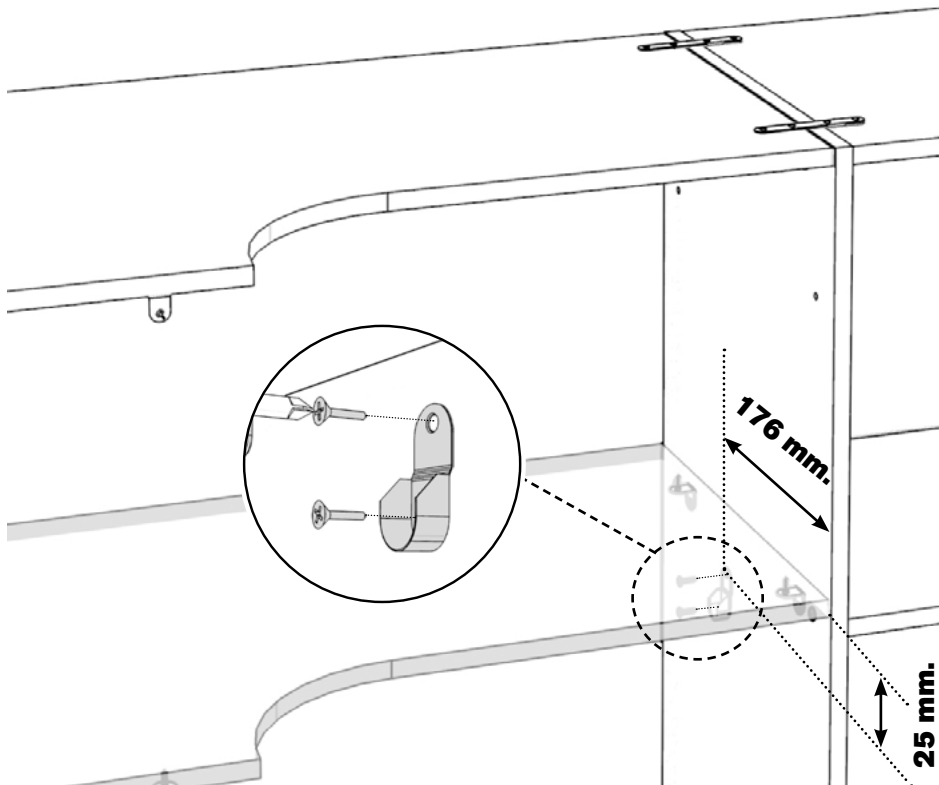


11

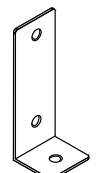


A x 01

15 mm.  
L x 02



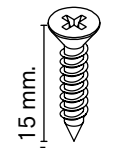
12



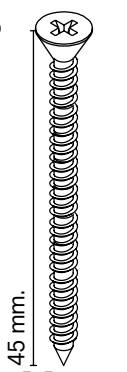
J x 01



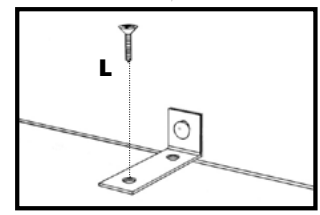
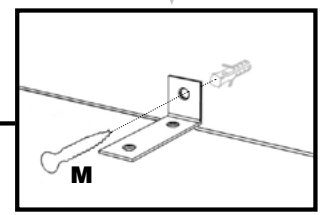
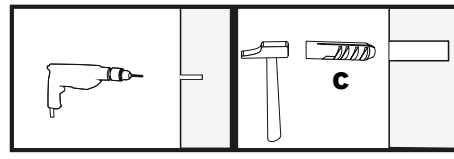
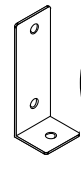
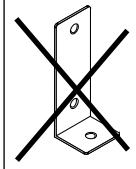
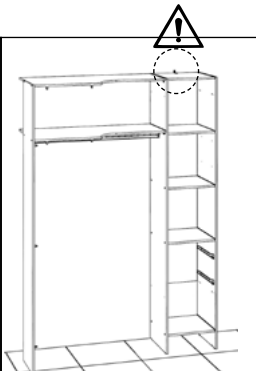
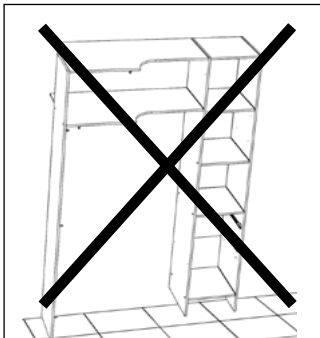
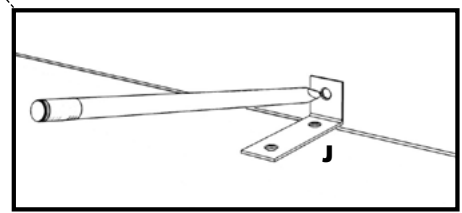
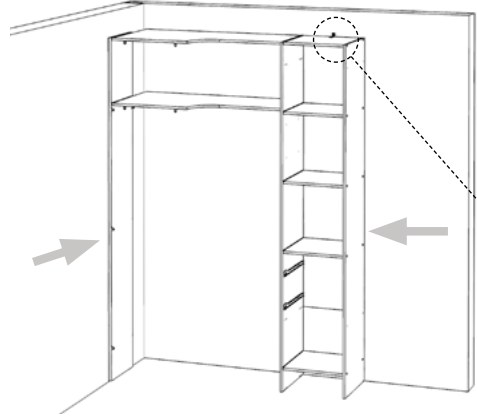
C x 01



L x 01

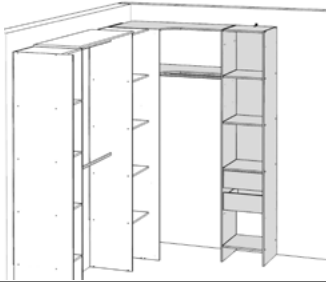
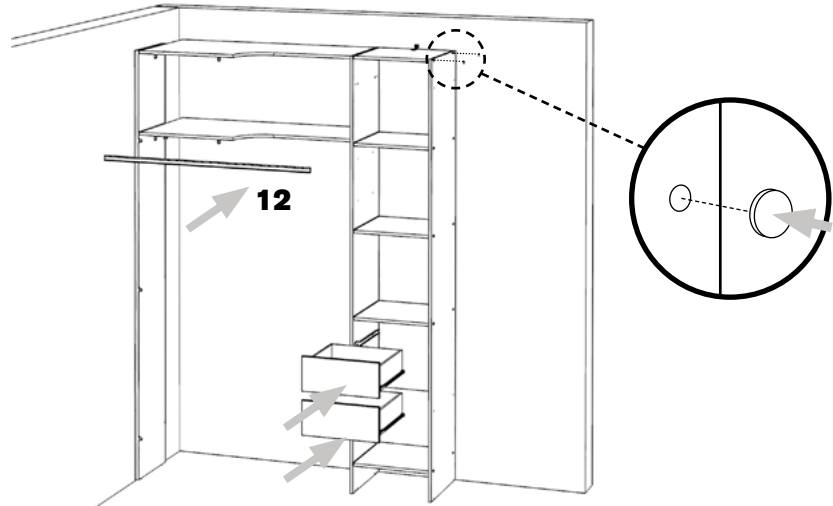


M x 01



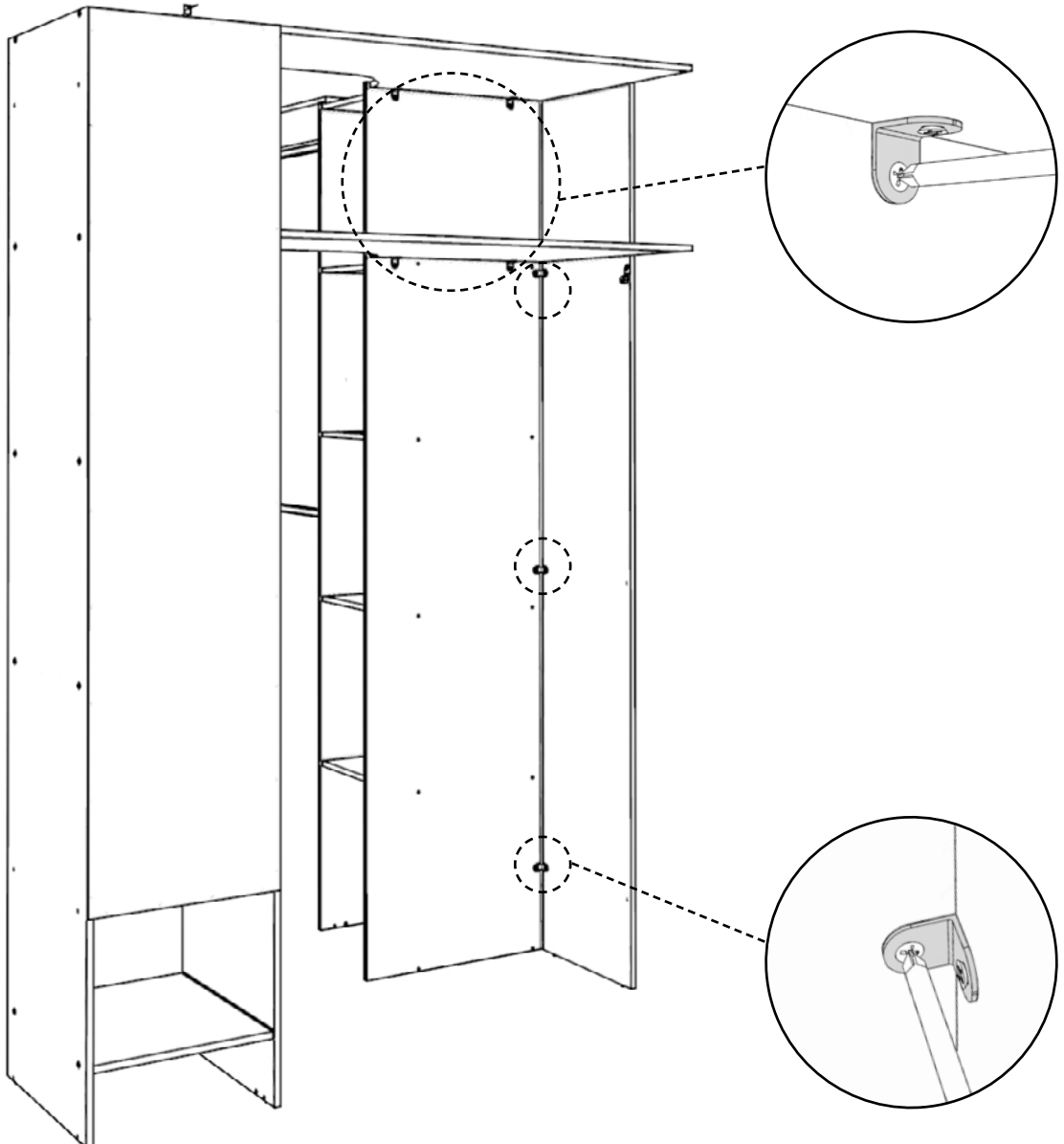
13

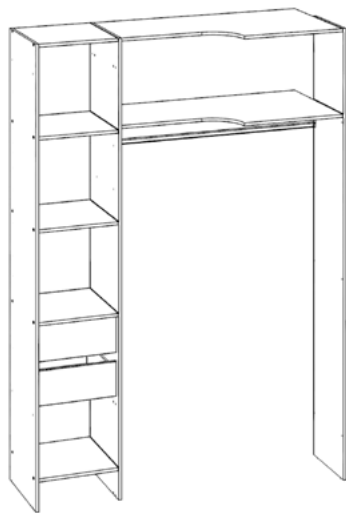
3 mm.  
F x 02



14

15 mm.  
L x 07

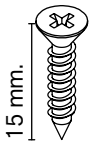




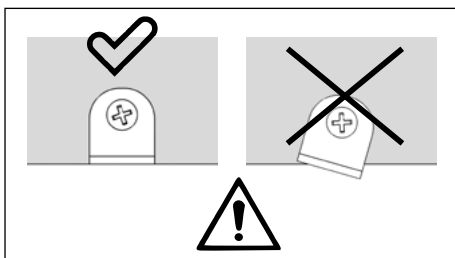
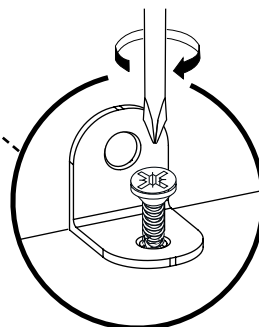
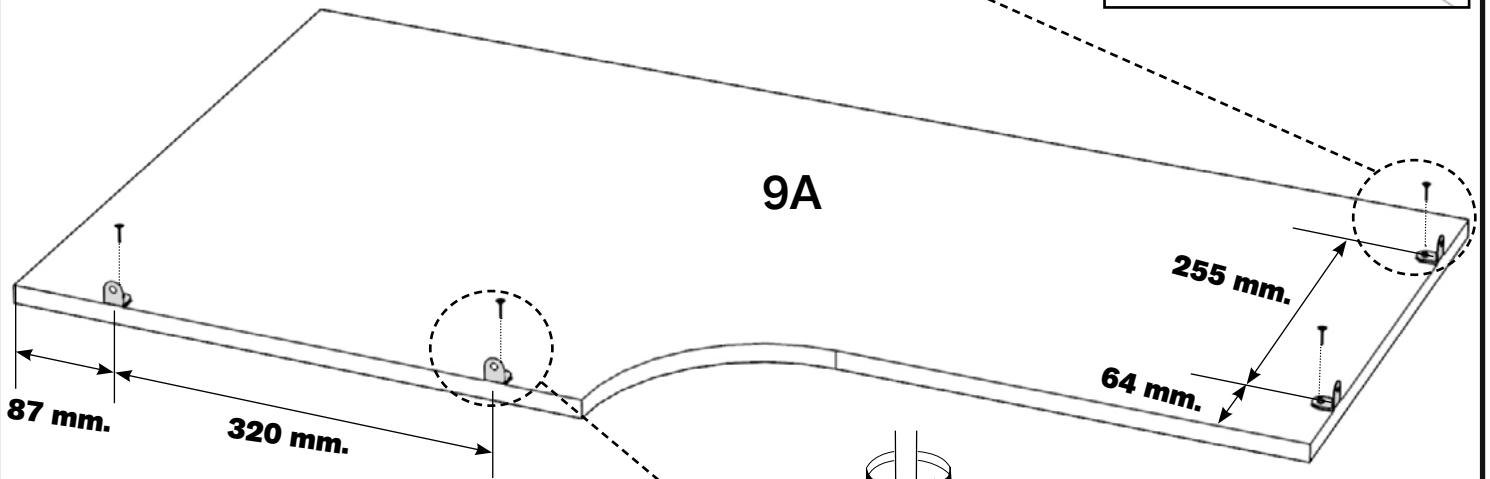
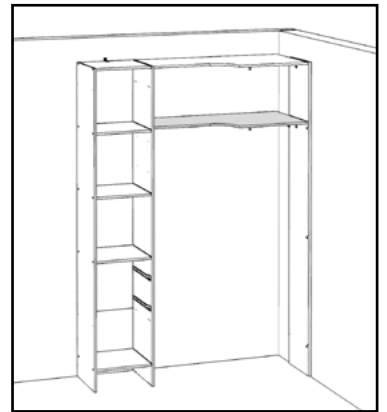
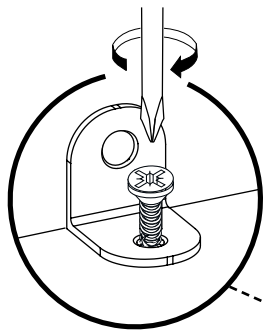
7



B x 04



15 mm.  
L x 04

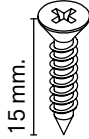




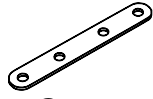
7



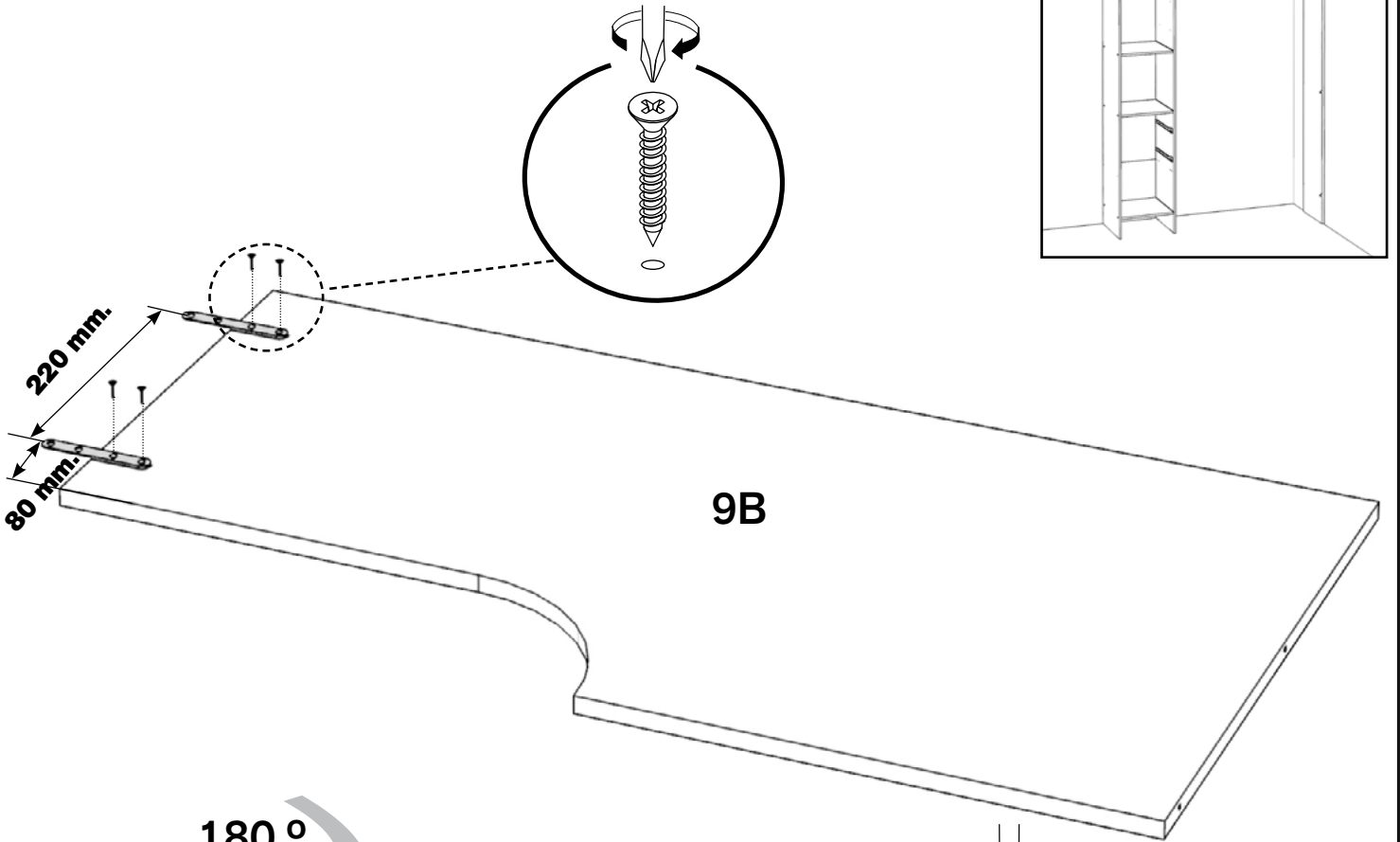
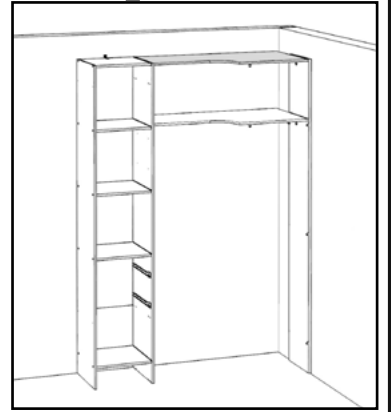
B x 04



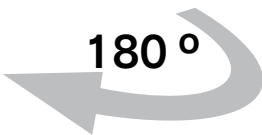
L x 08  
15 mm.



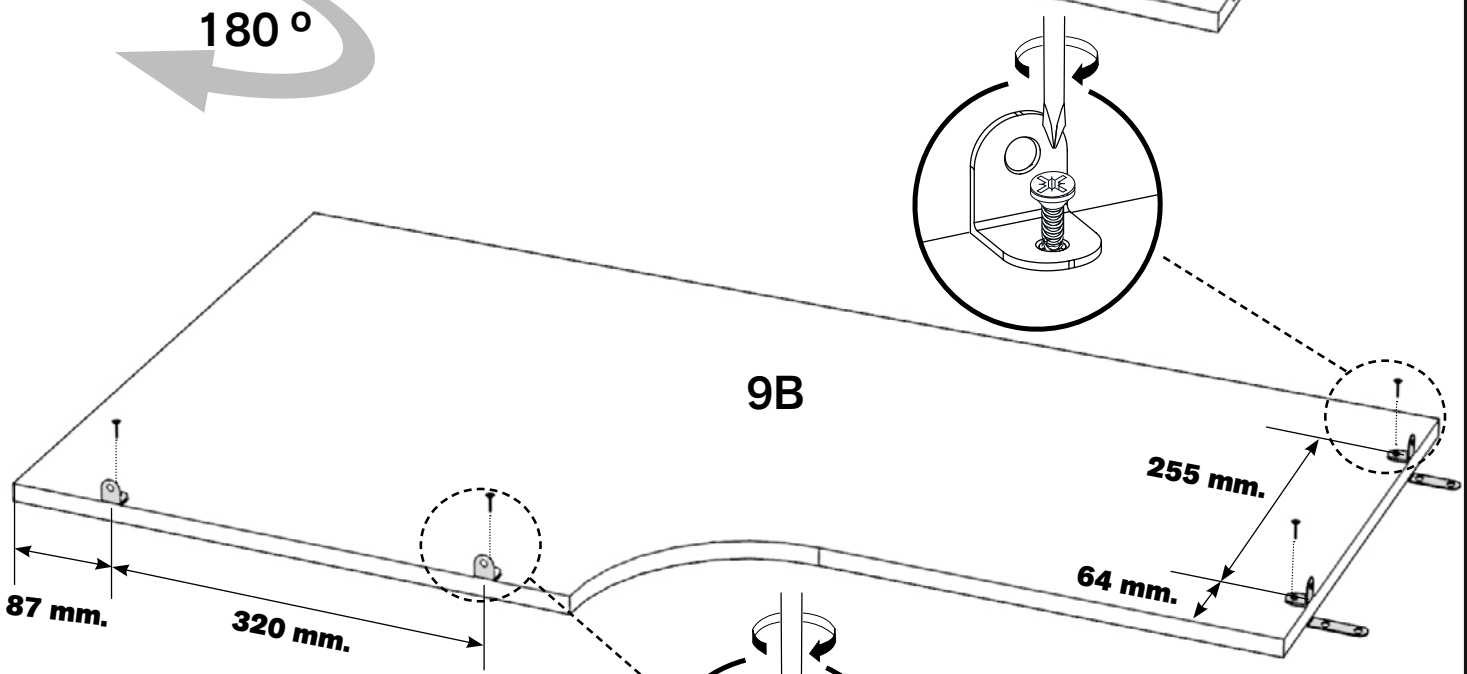
O x 02



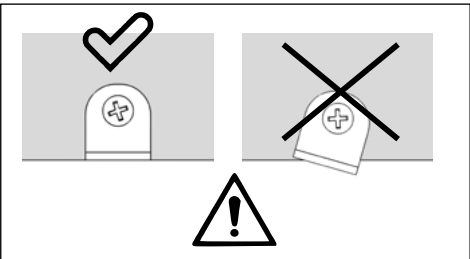
9B



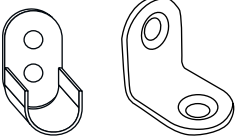
180°



9B

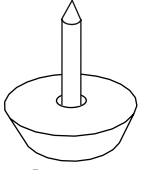


8

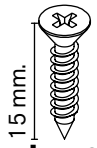


A x 01

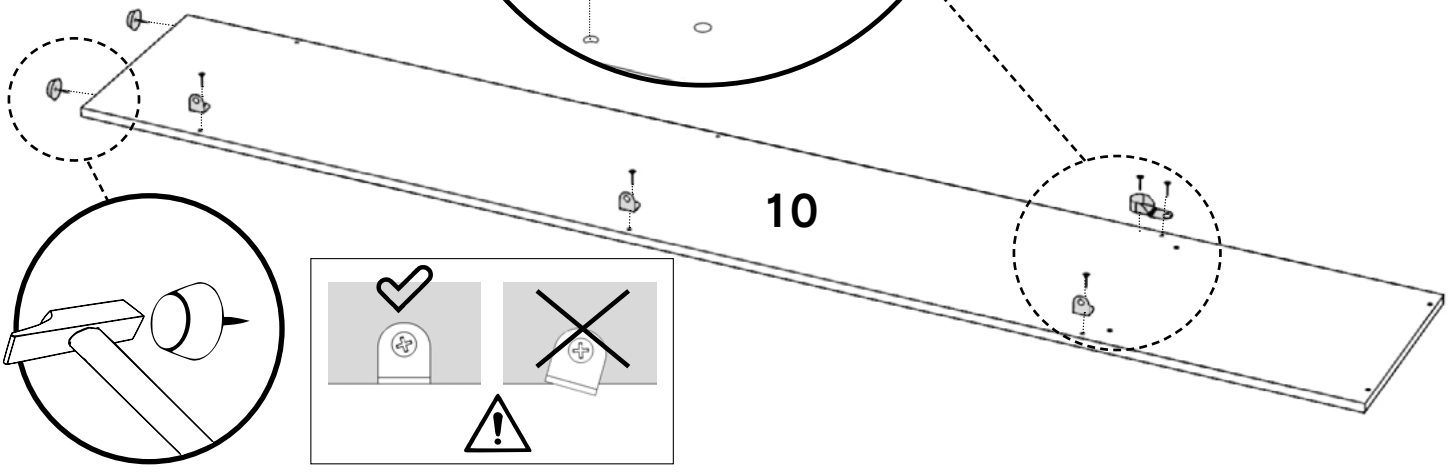
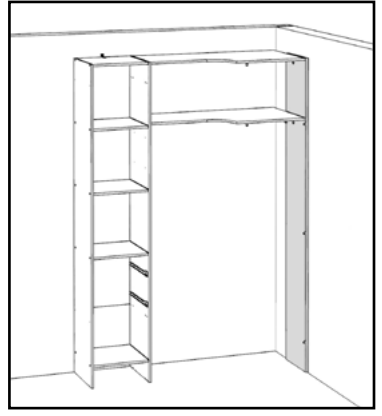
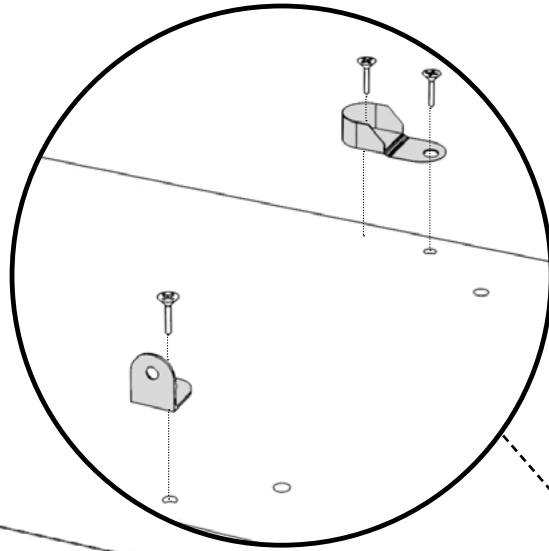
B x 03



I x 02



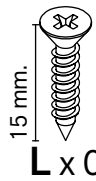
L x 05



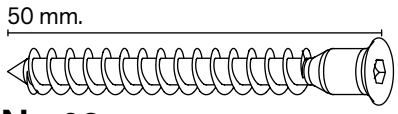
10

9

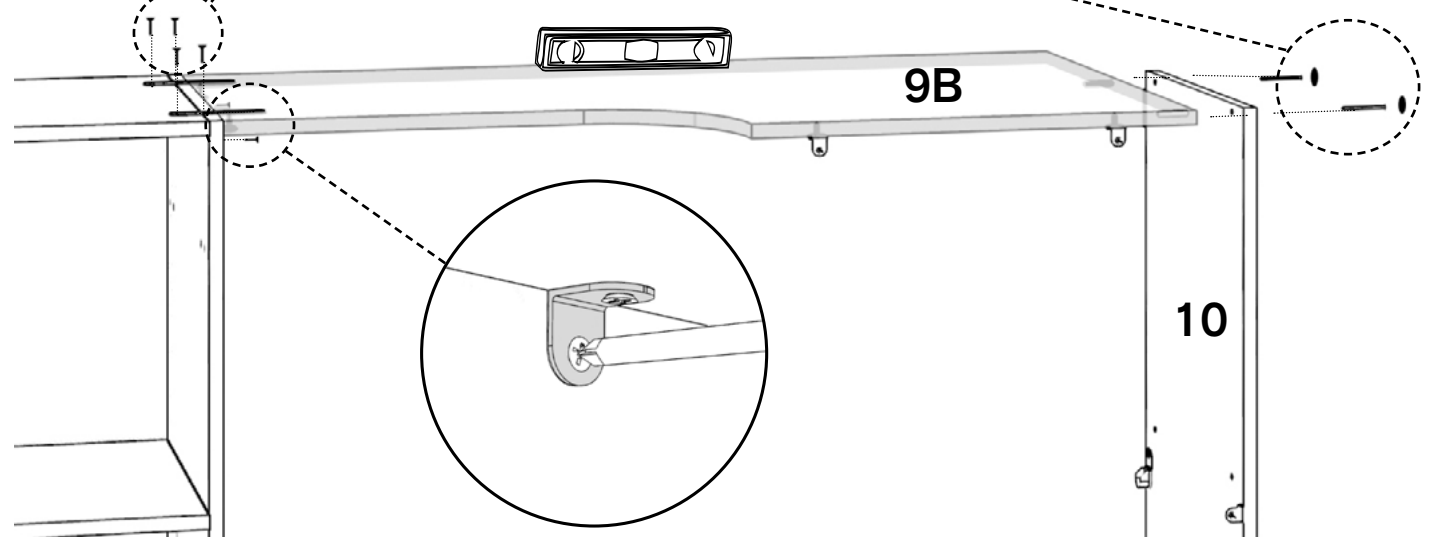
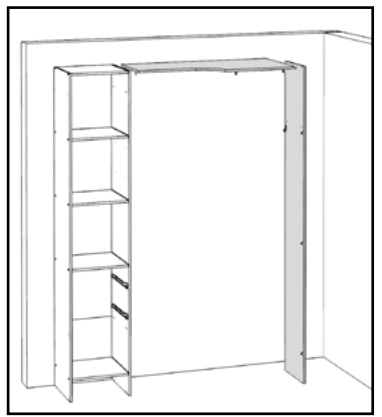
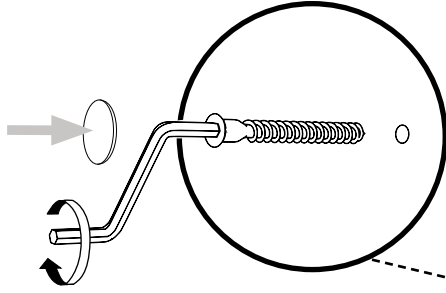
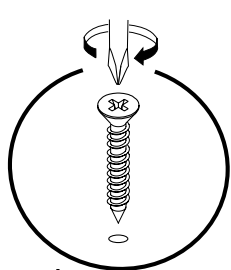
3 mm.  
F x 02



L x 06



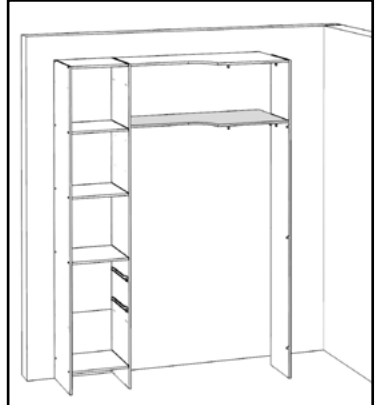
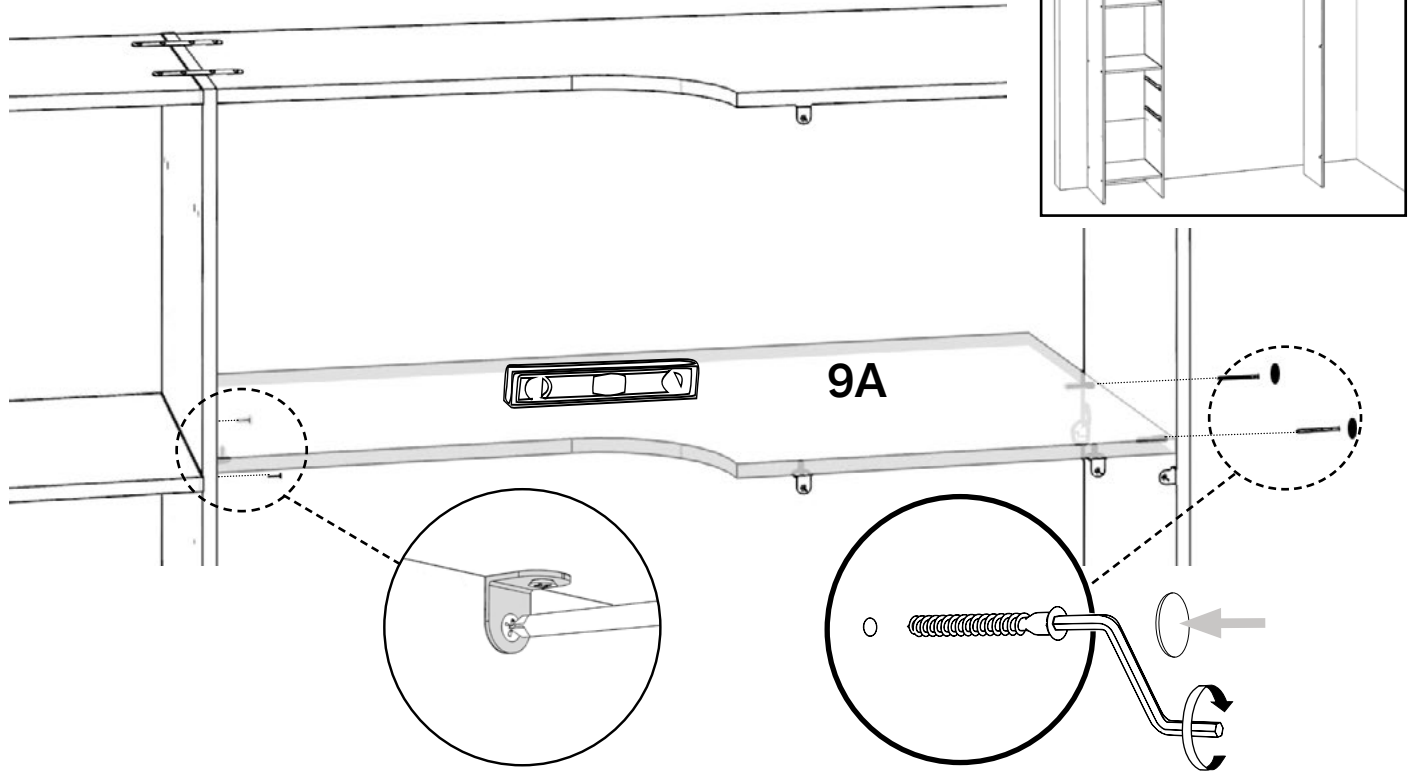
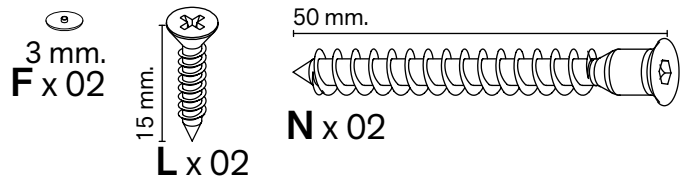
50 mm.  
N x 02



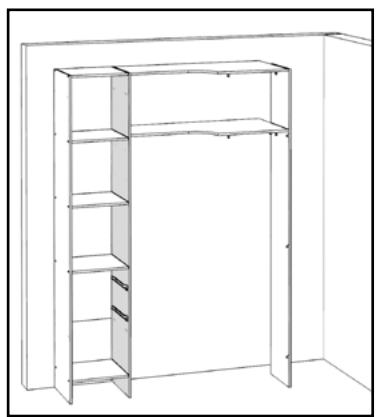
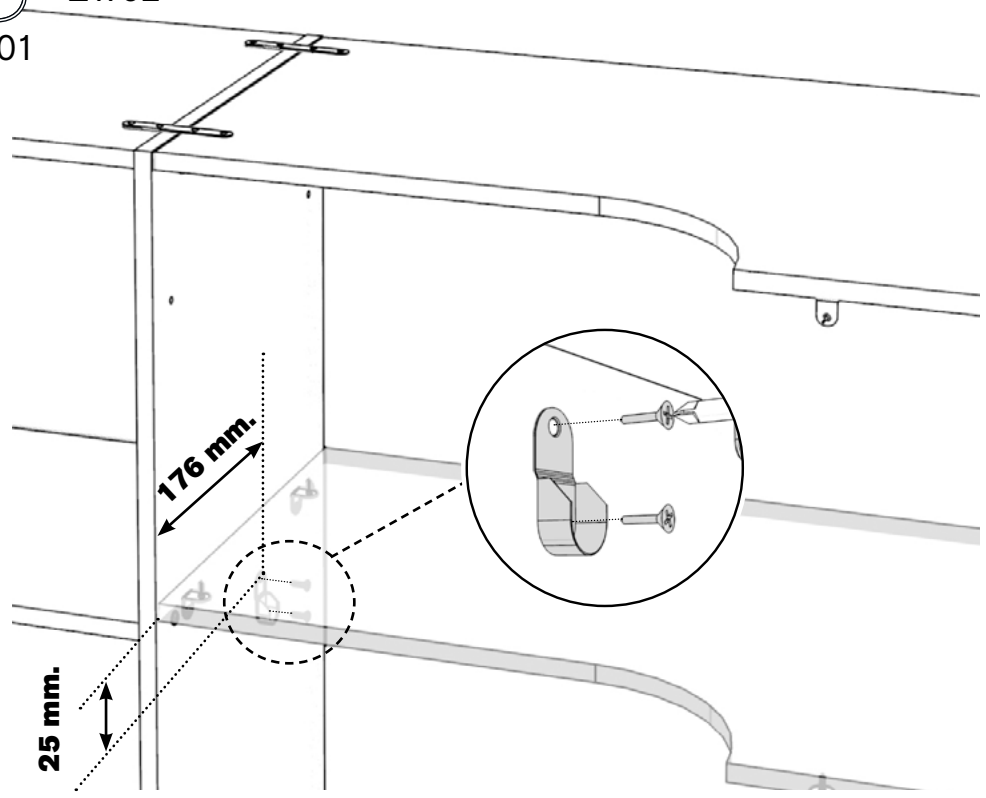
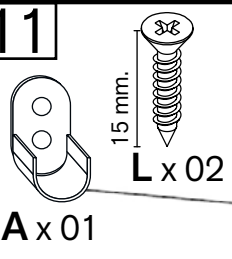
9B

10

10

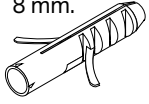


11

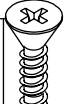


12

8 mm.

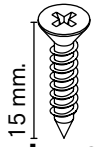


C x 01



45 mm.

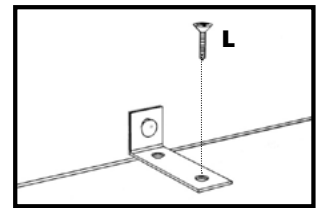
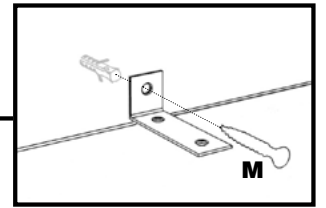
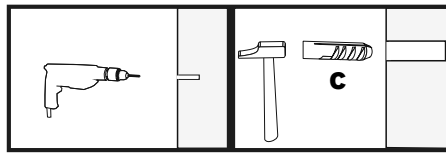
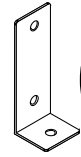
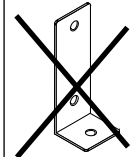
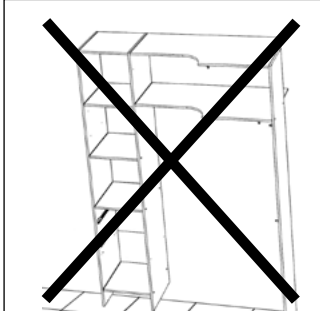
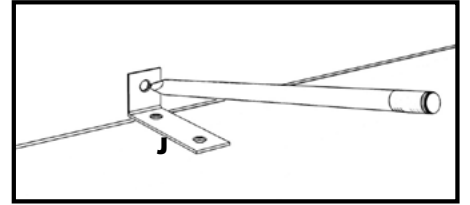
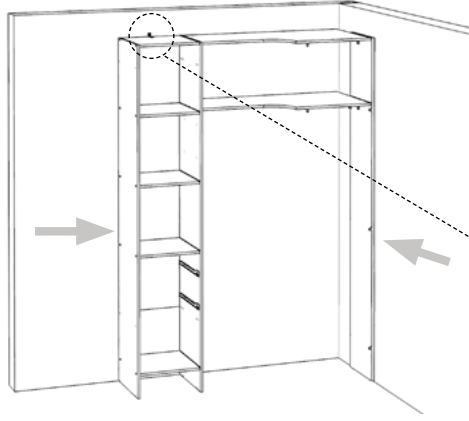
M x 01



15 mm.

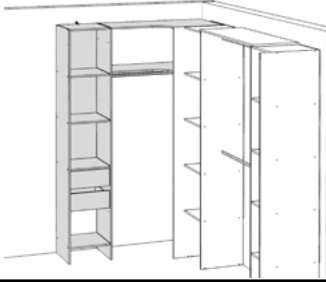
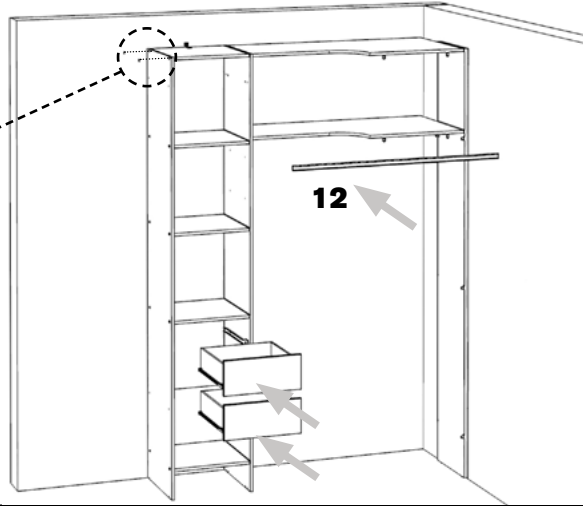
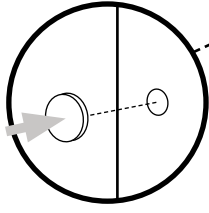
L x 01

J x 01



13

3 mm.  
F x 02



14

15 mm.  
L x 07

