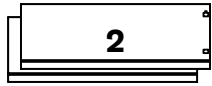
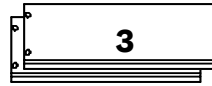


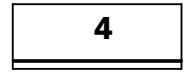
357 x 157 mm.



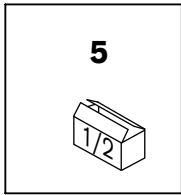
350 x 110 mm.



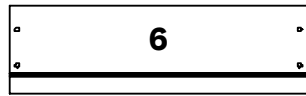
350 x 110 mm.



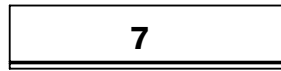
314 x 110 mm.



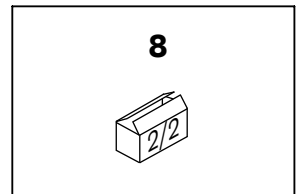
351 x 326 mm.



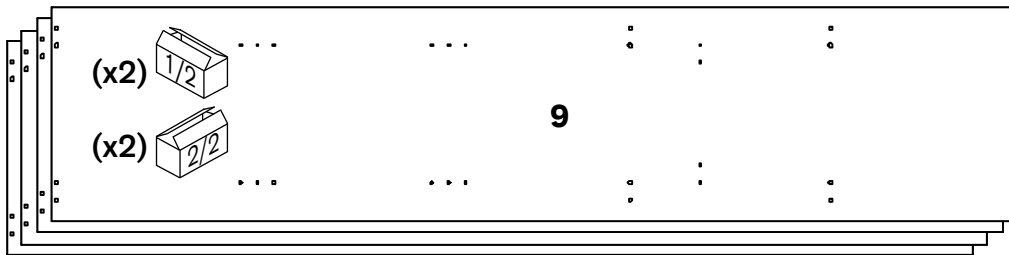
563 x 157 mm.



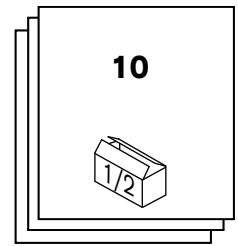
520 x 110 mm.



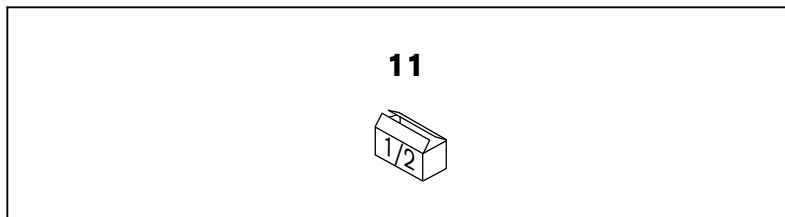
531 x 351 mm.



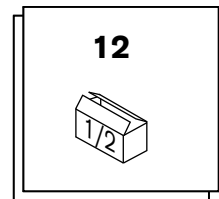
1850 x 399 mm.



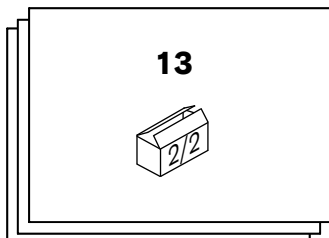
397 x 363 mm.



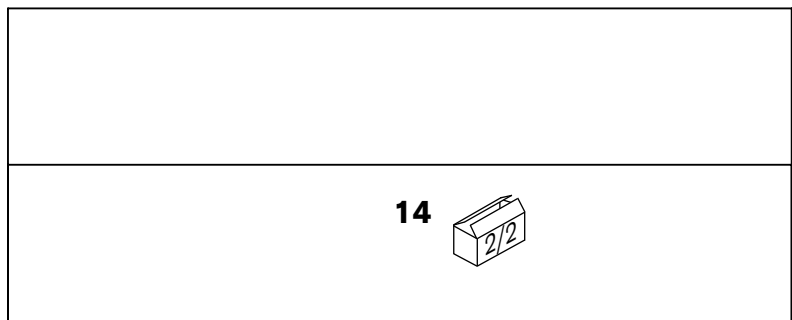
1499 x 393 mm.



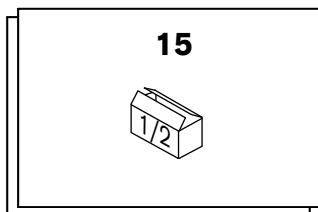
363 x 342 mm.



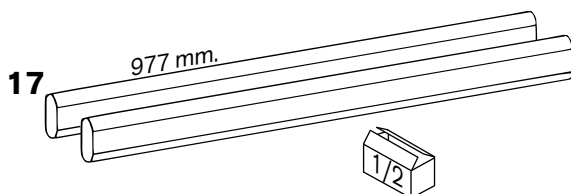
569 x 398 mm.



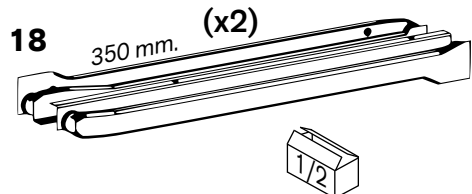
1499 x 598 mm.



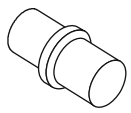
569 x 370 mm.



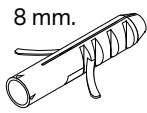
977 mm.



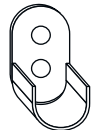
350 mm. (x2)



F x 16



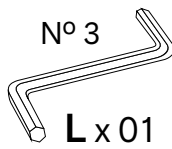
H x 04



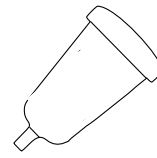
K x 04



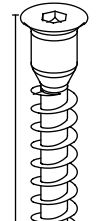
Nº 3



L x 01

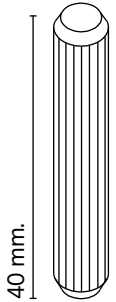


D x 04

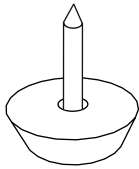


50 mm.

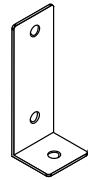
E x 24



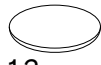
A x 24



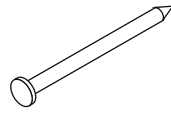
G x 12



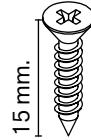
J x 04



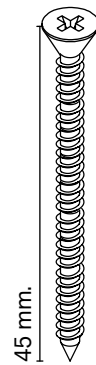
13 mm.  
M x 24



I x 40

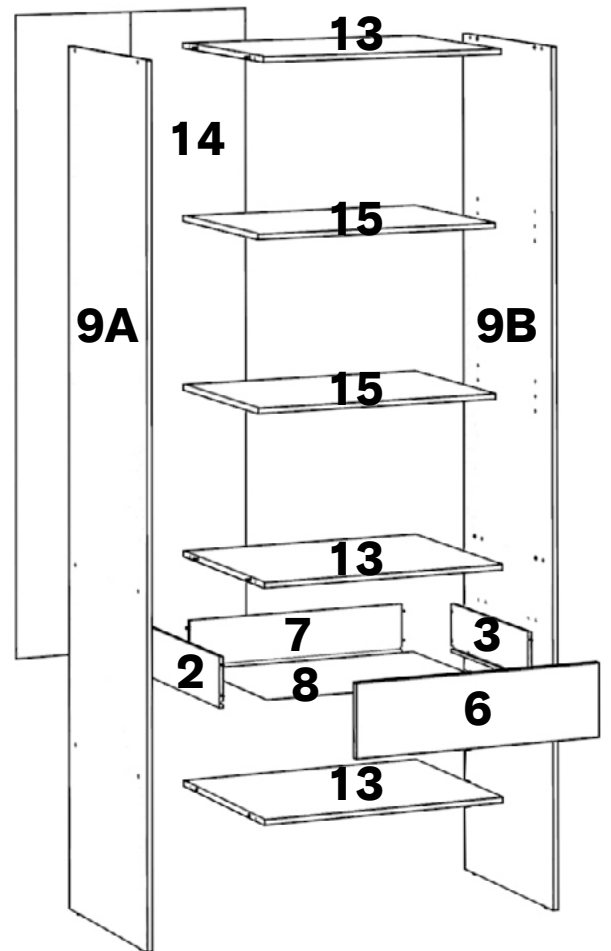
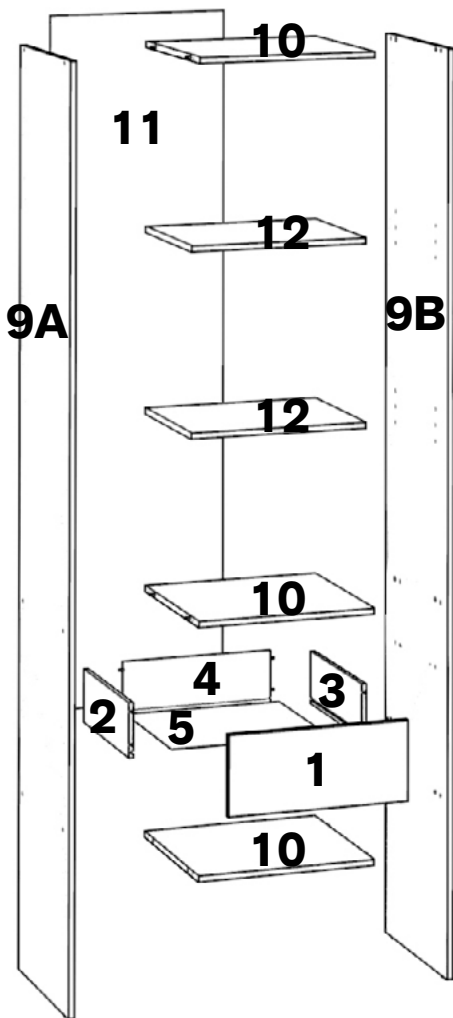


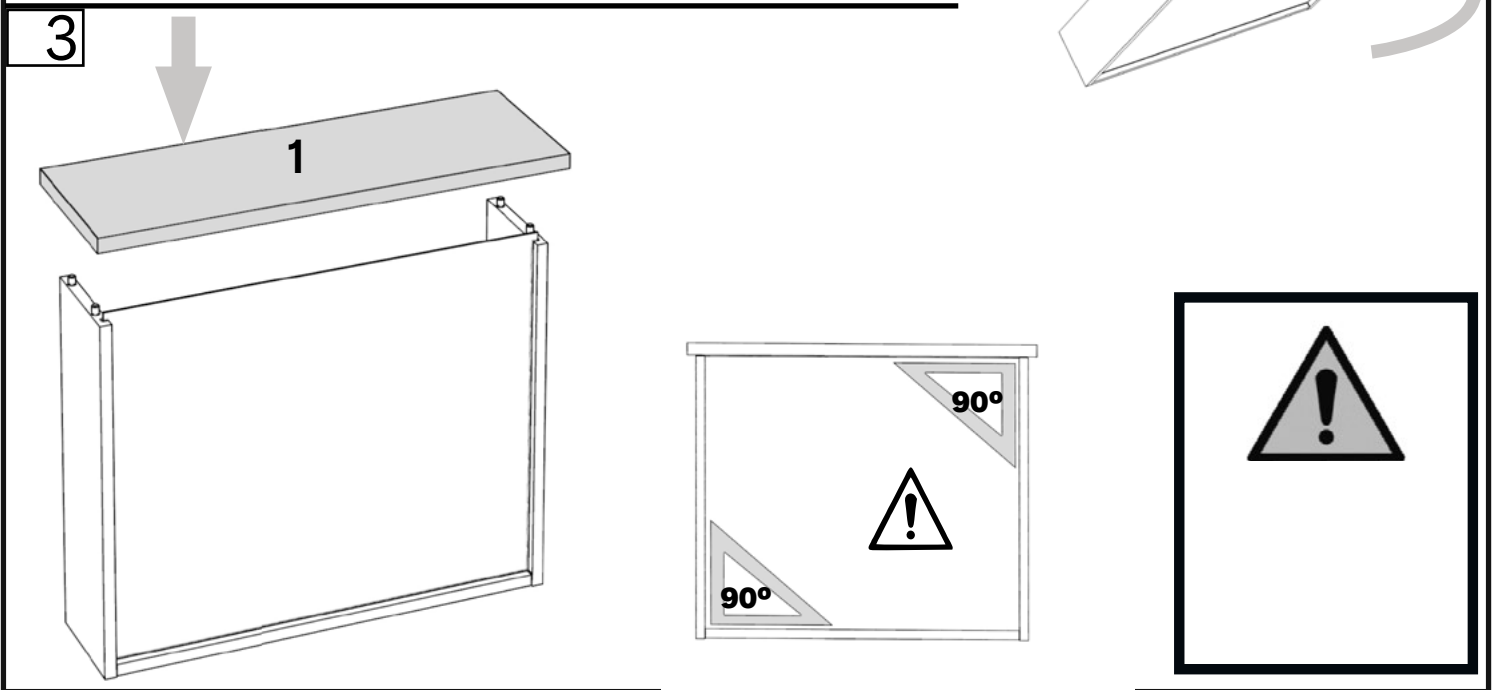
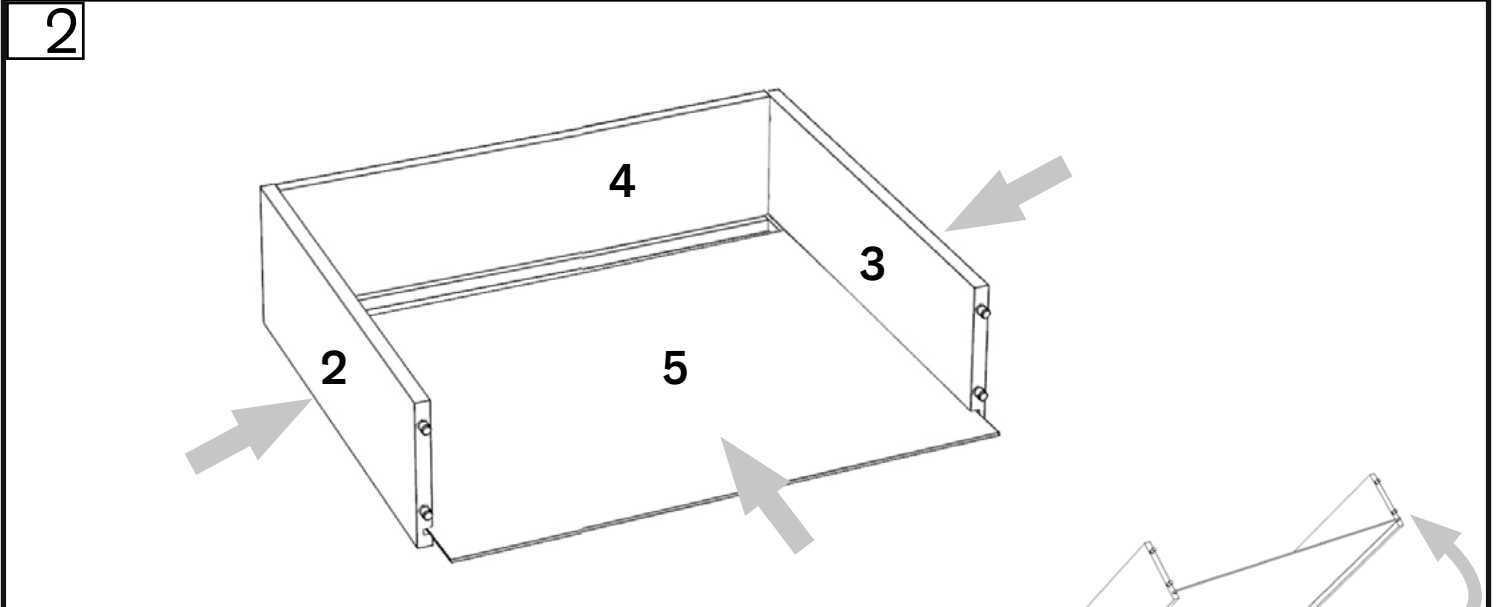
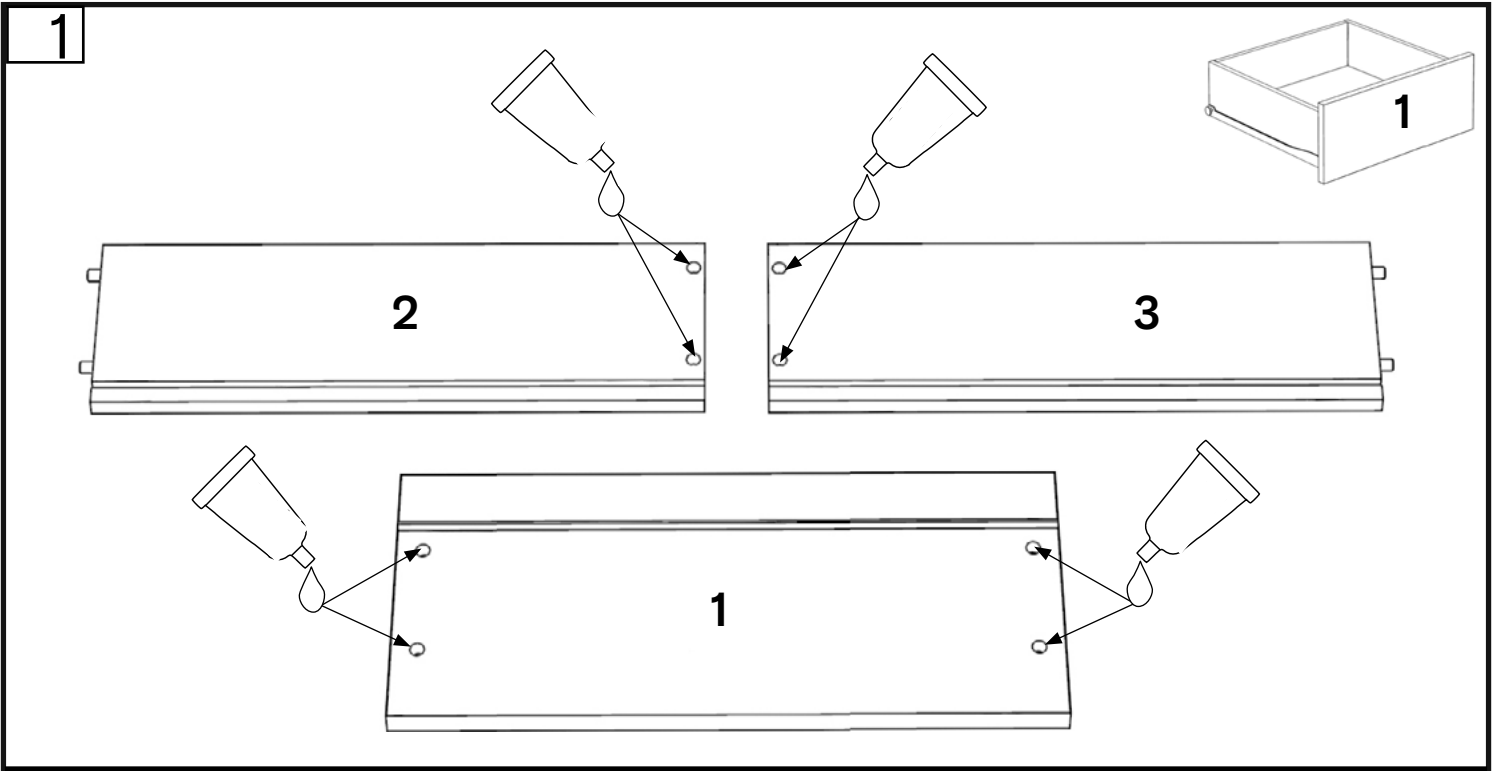
B x 28



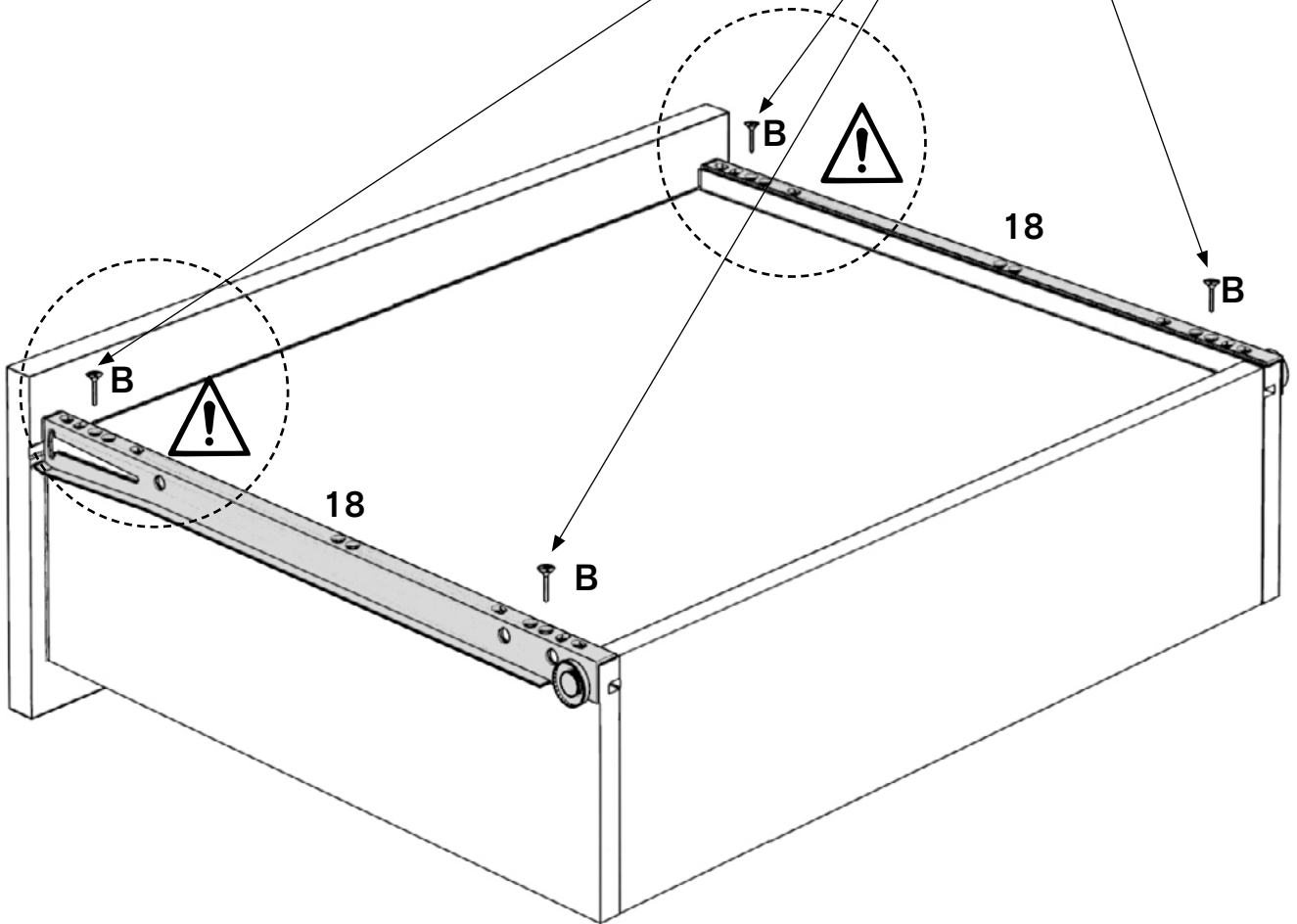
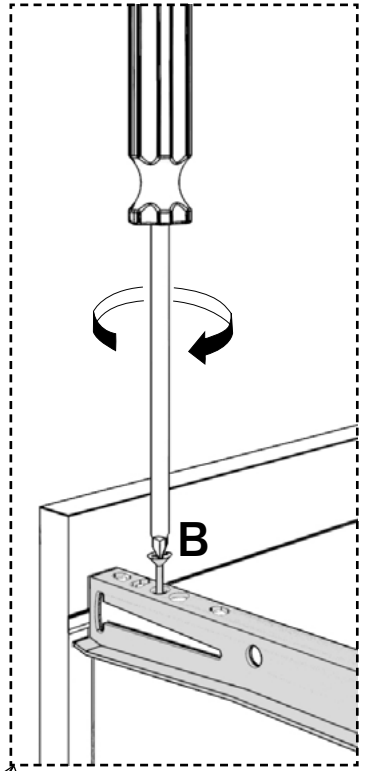
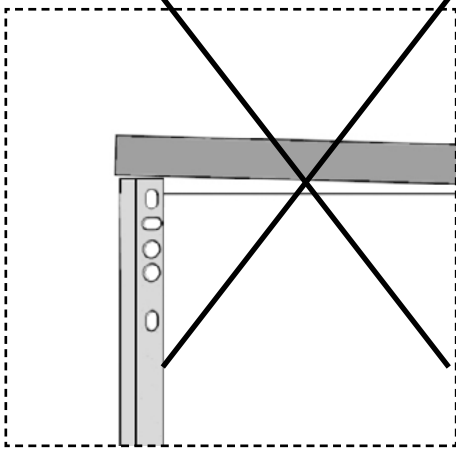
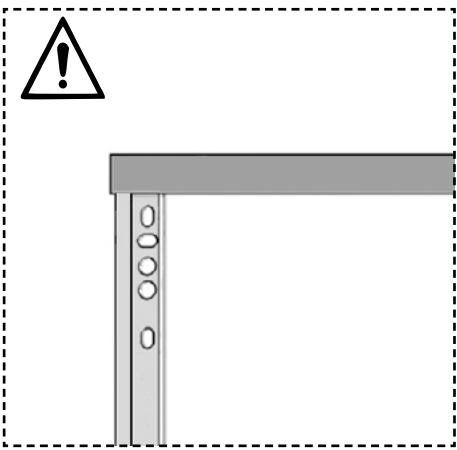
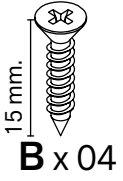
45 mm.

D x 04

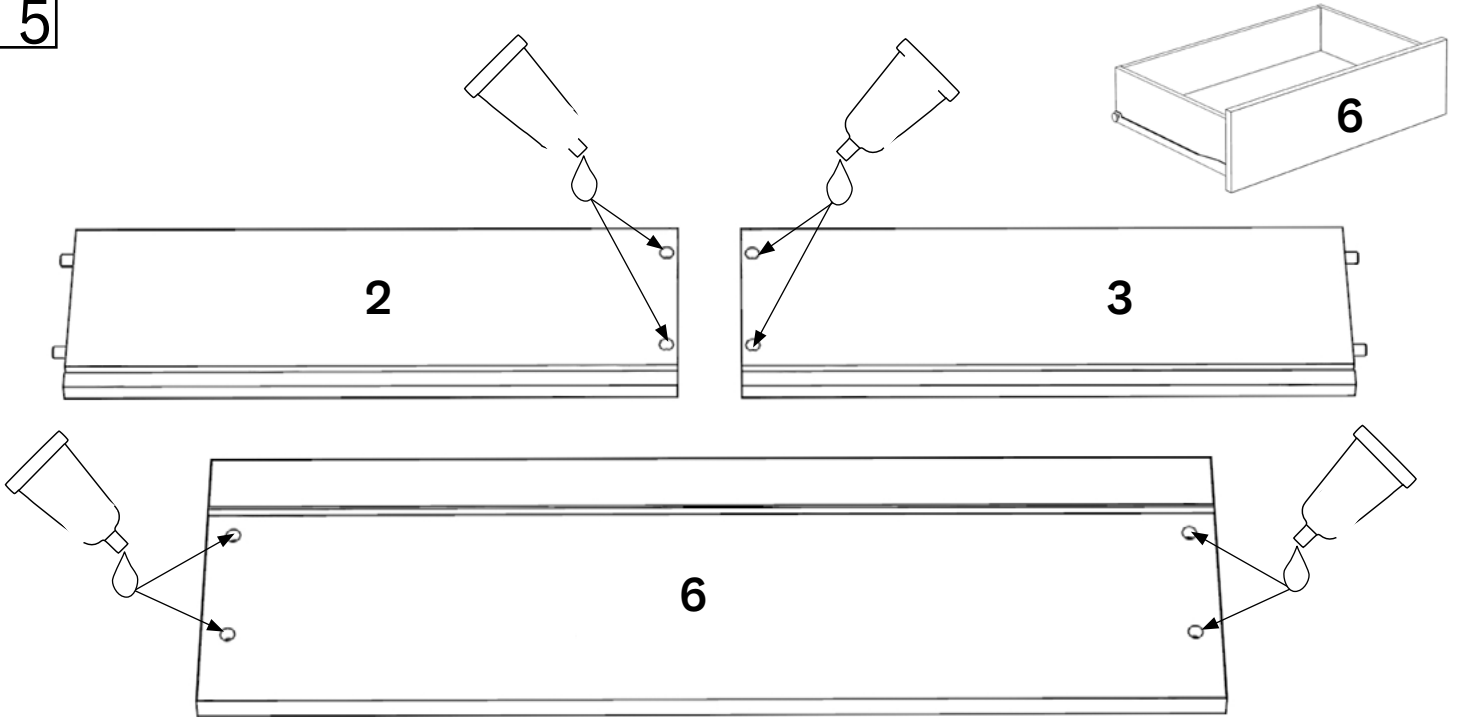




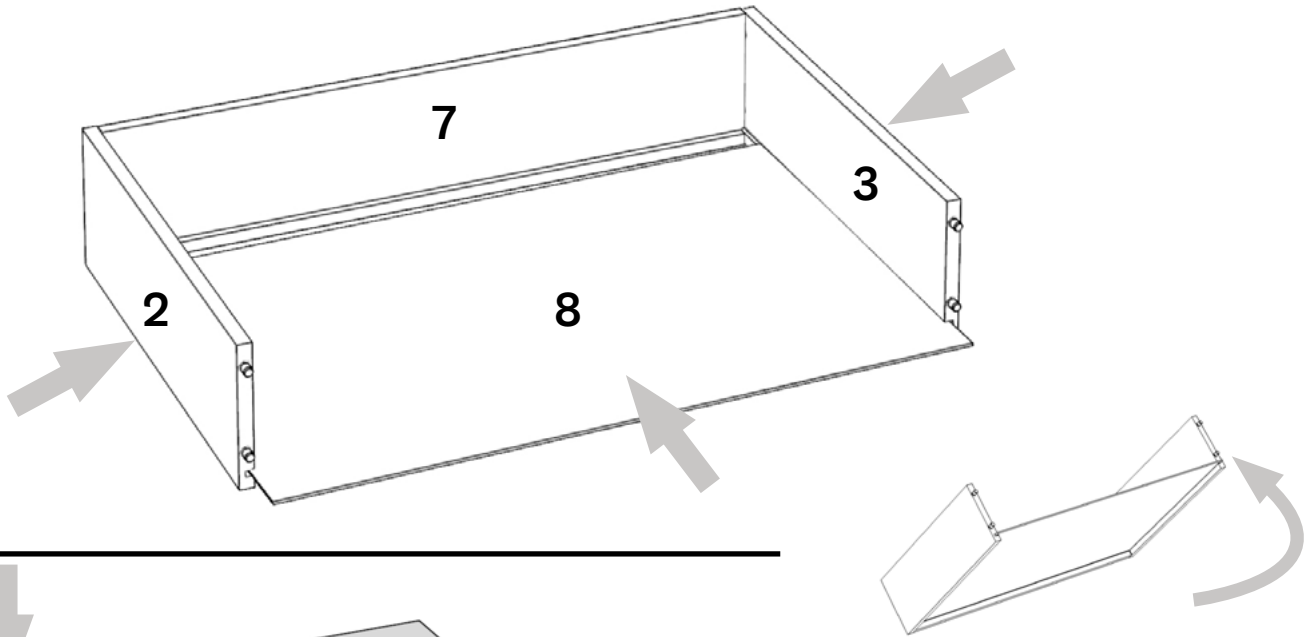
4



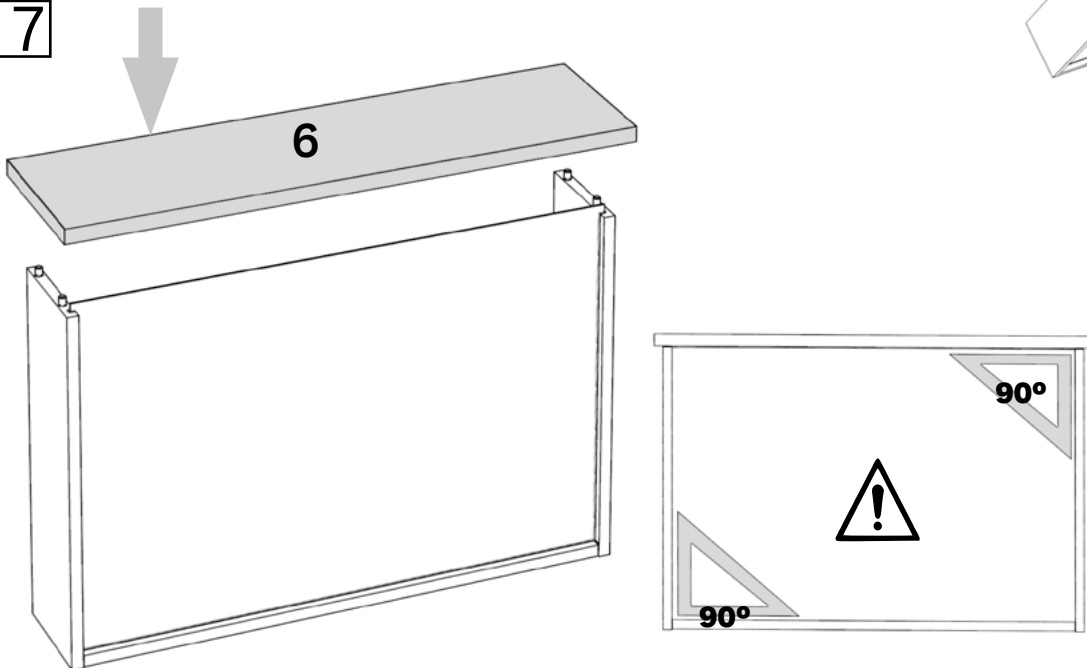
5



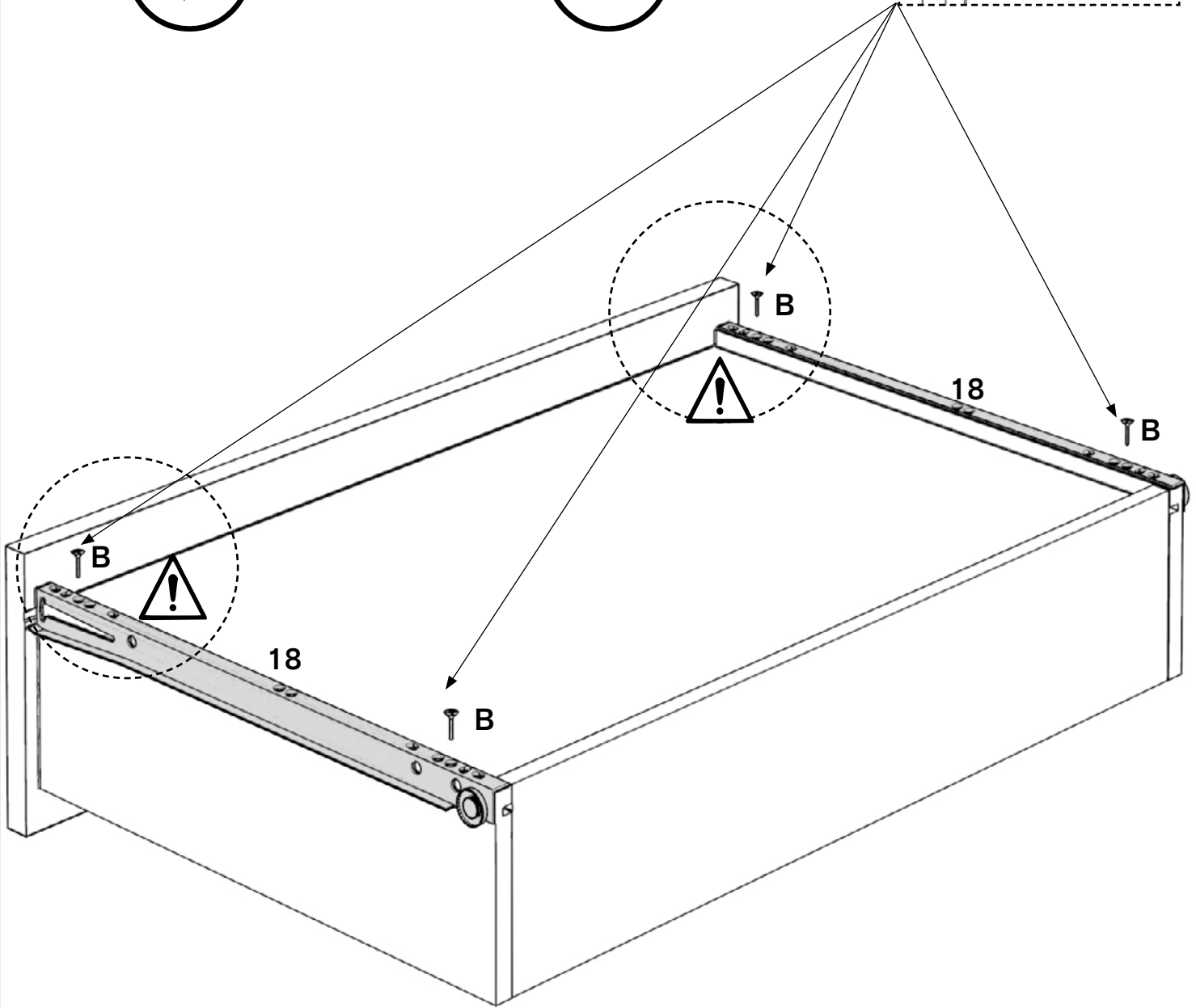
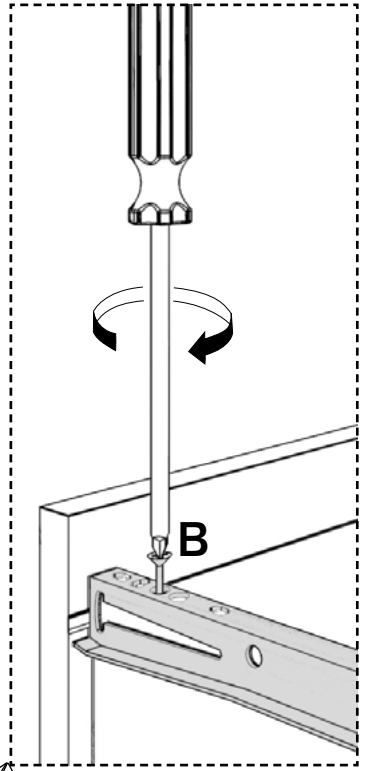
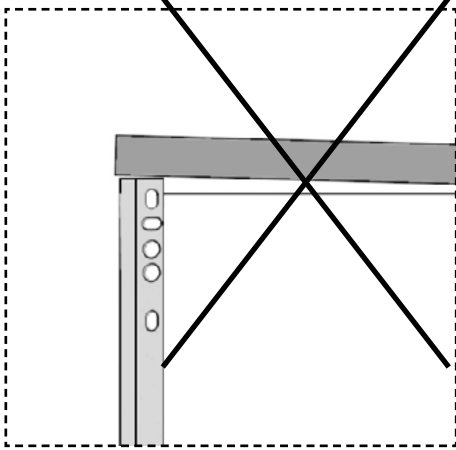
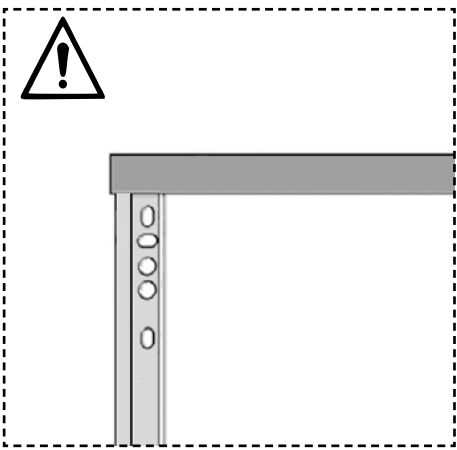
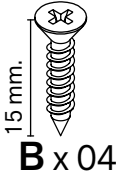
6



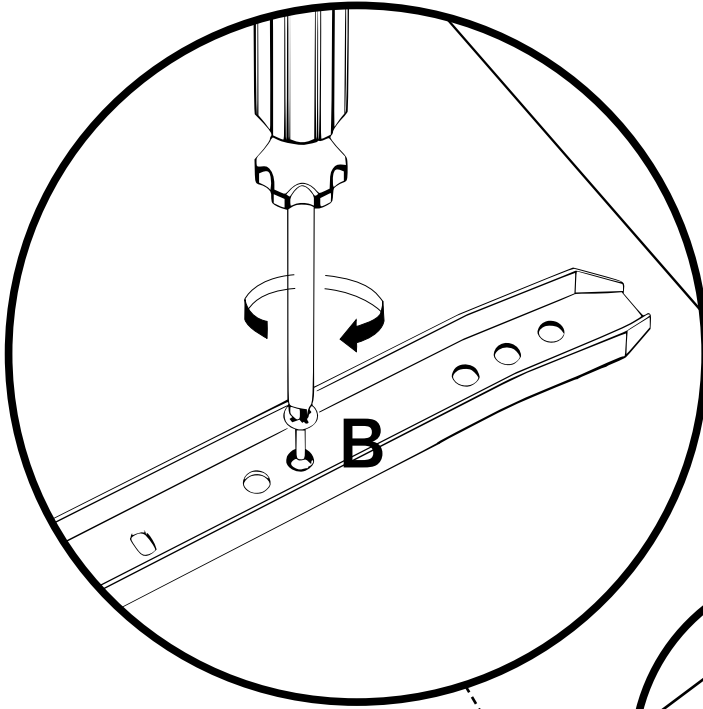
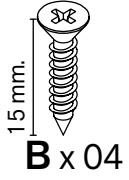
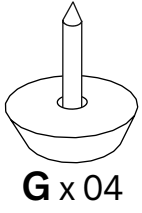
7



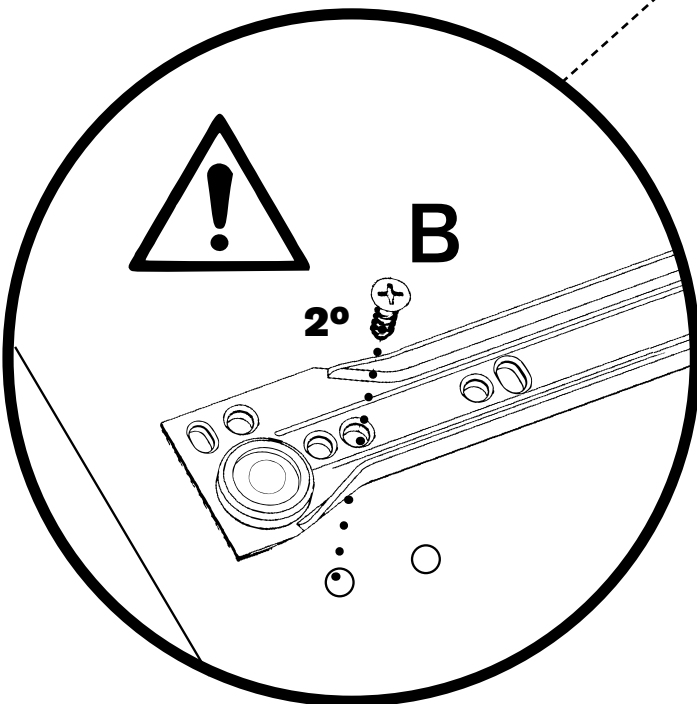
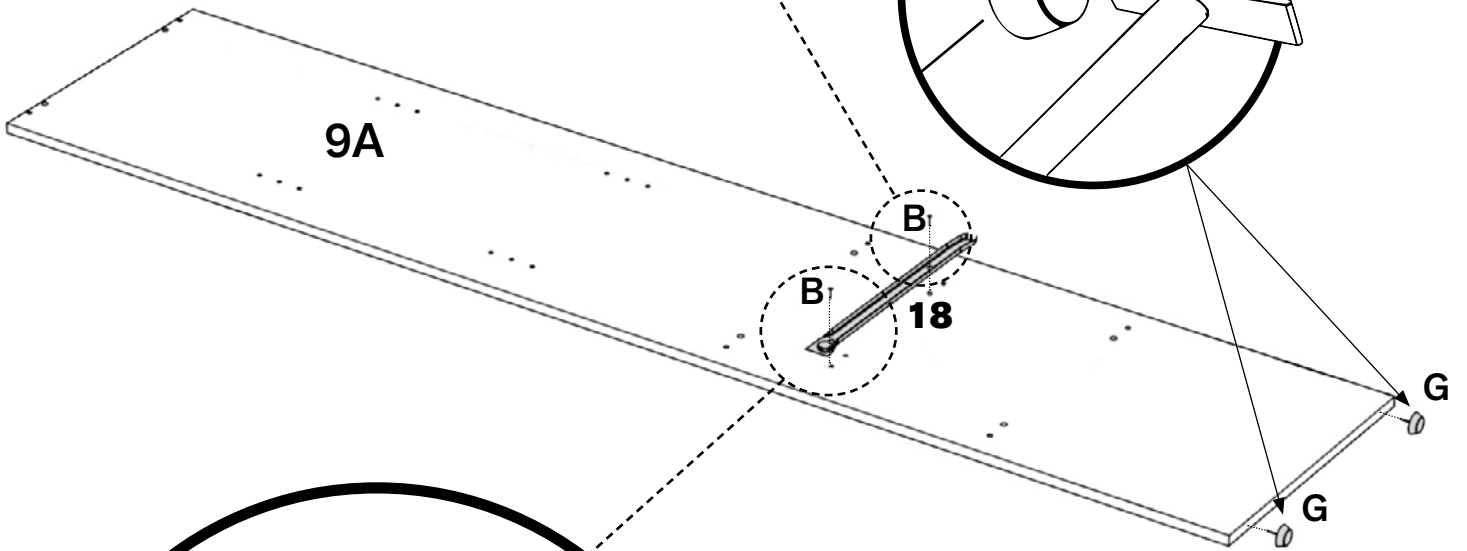
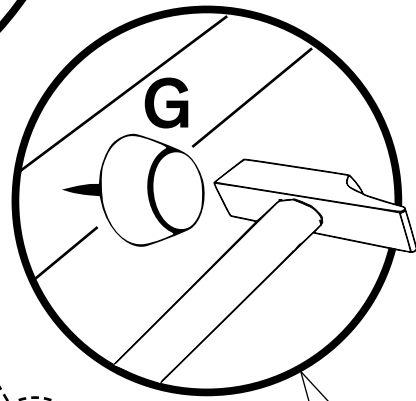
8



9

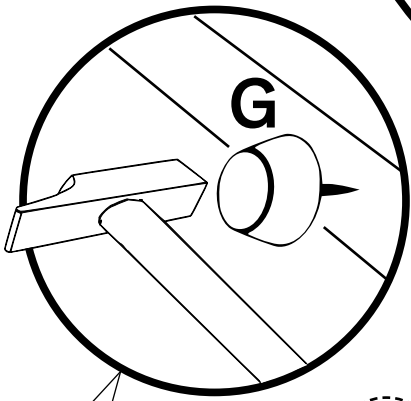
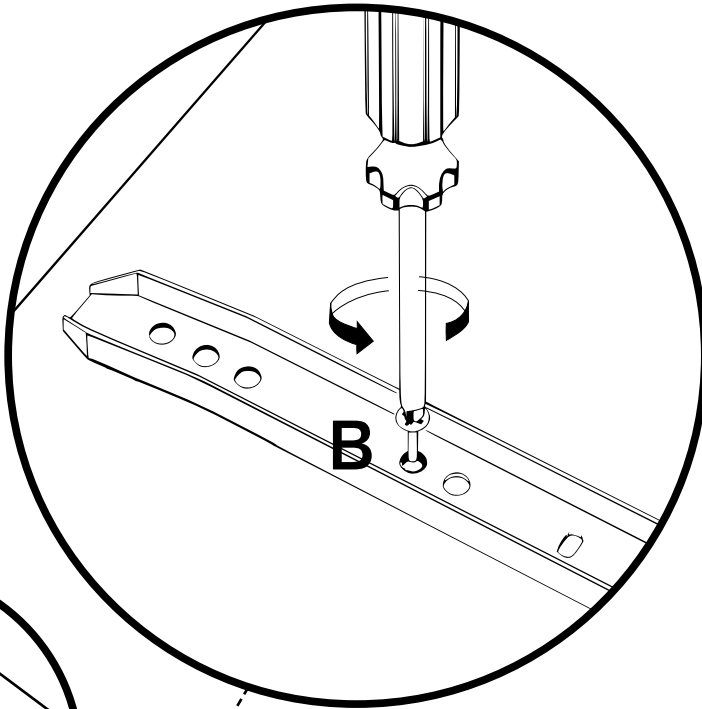
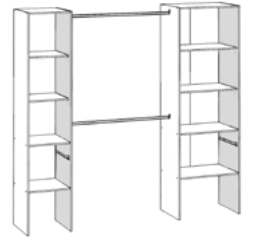
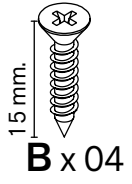
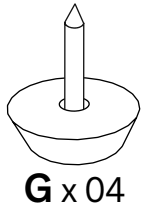


(X2)

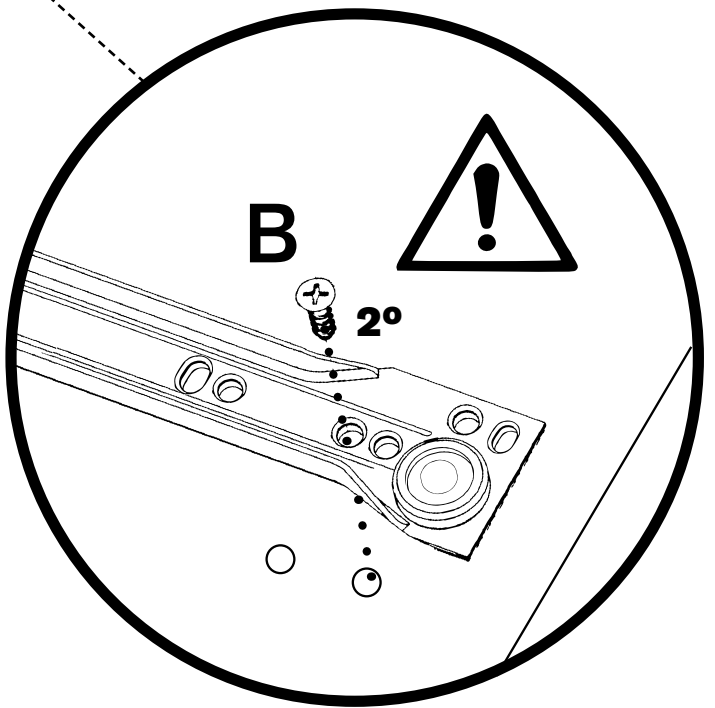
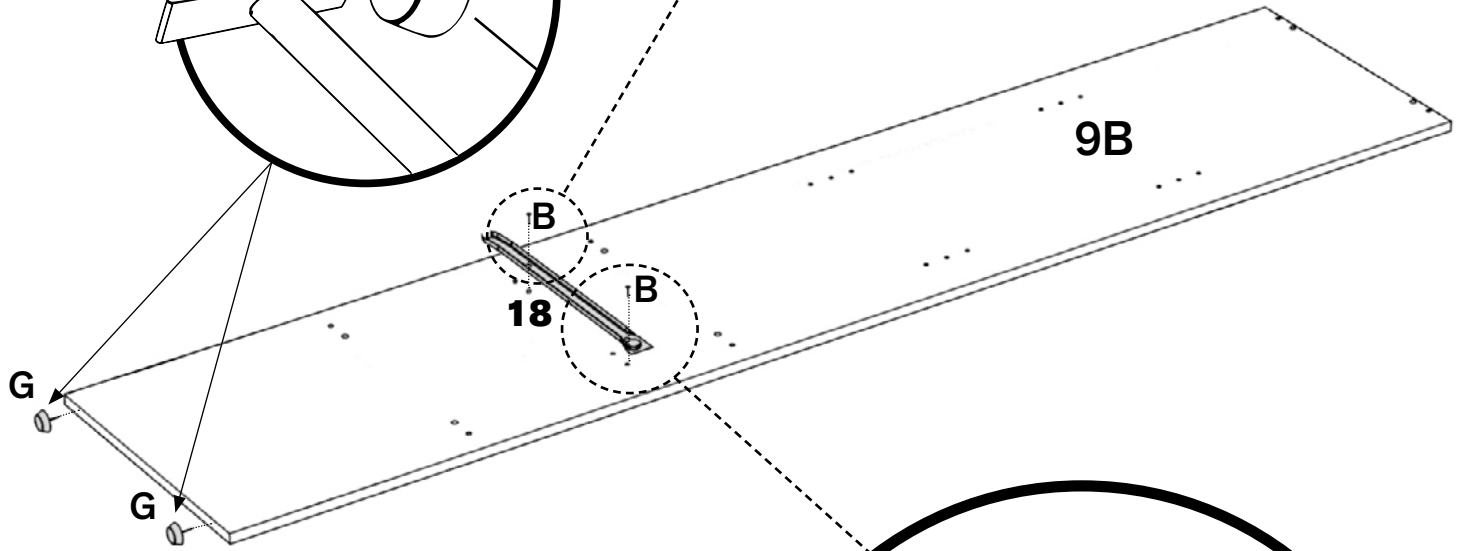


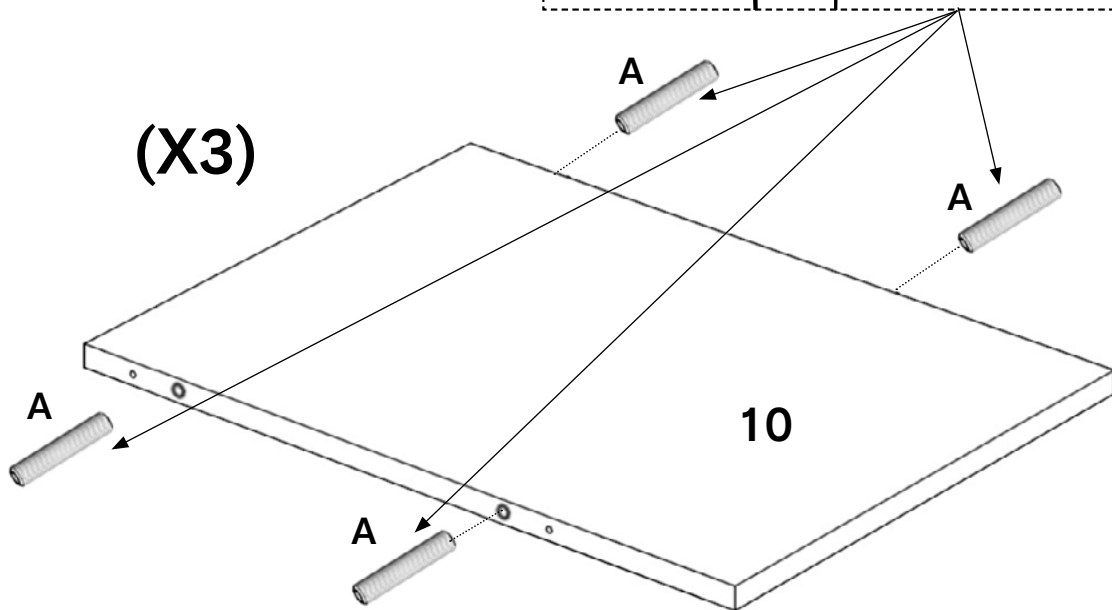
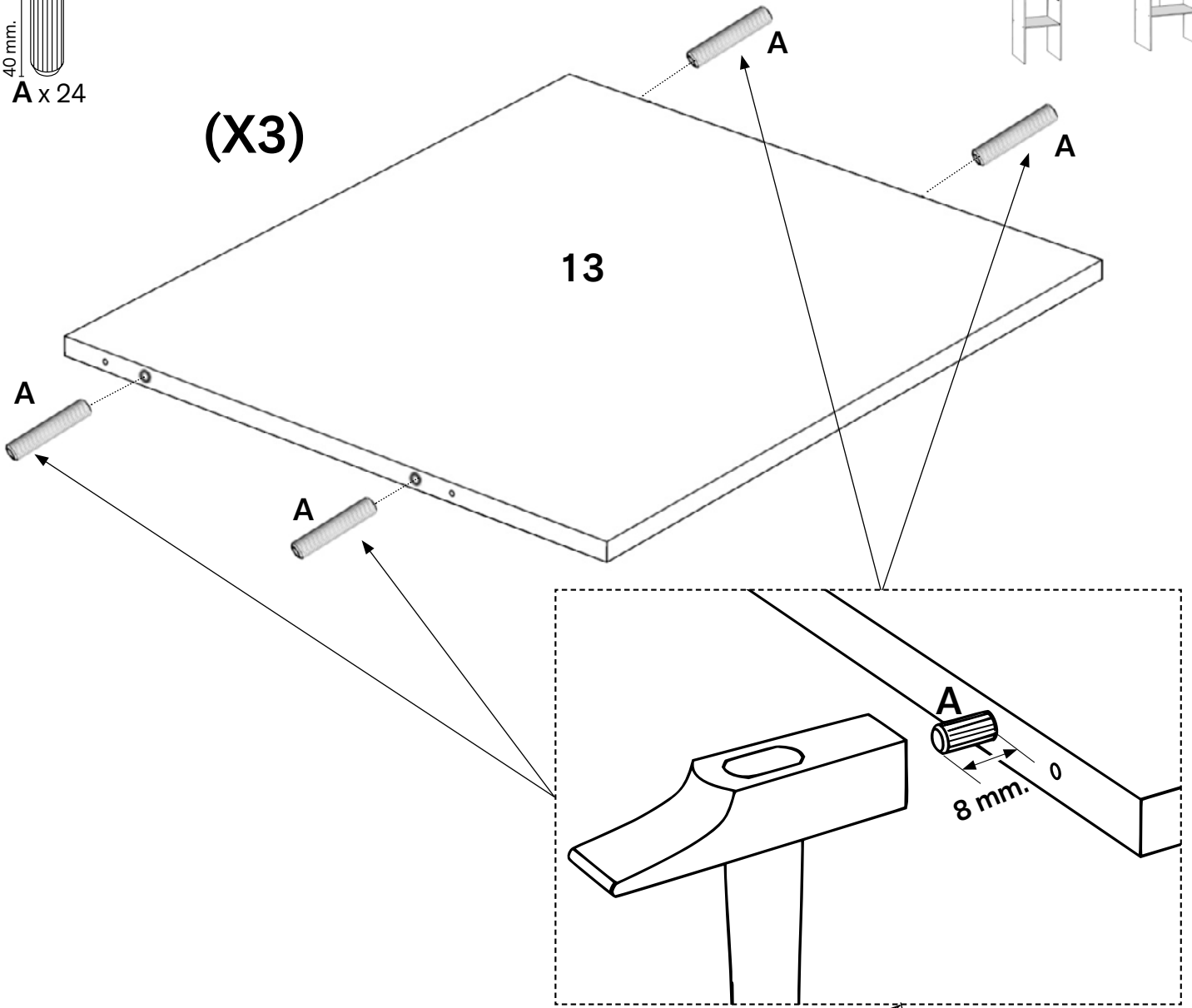
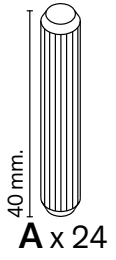


10



(X2)

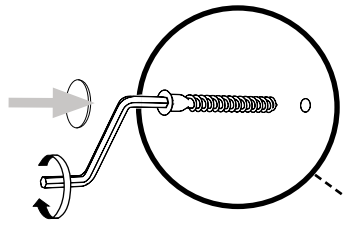
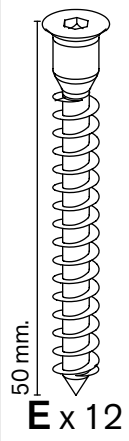




12

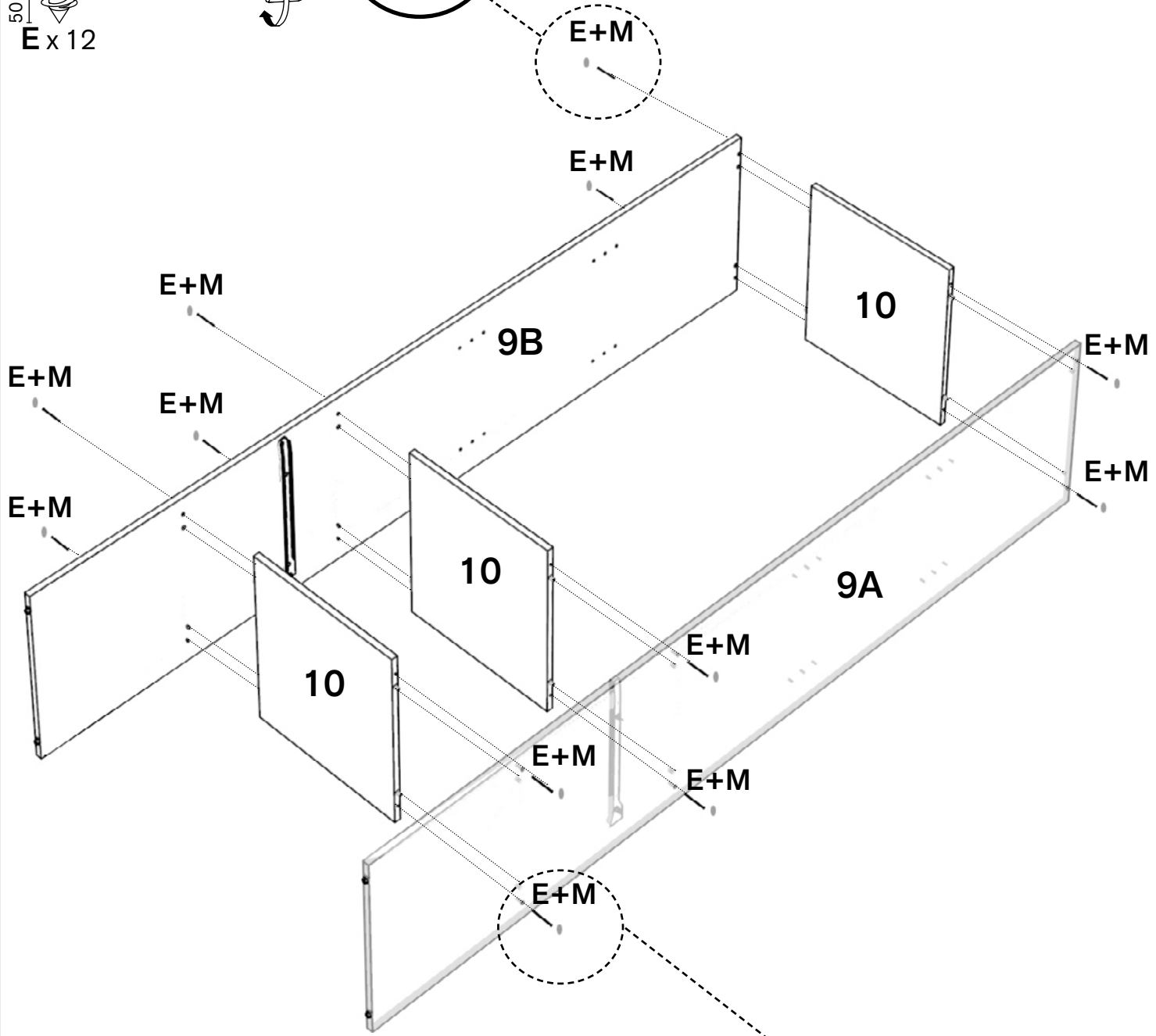


13 mm.  
M x 12



E+M

E+M



E+M

E+M

E+M

E+M

E+M

E+M

10

10

10

9B

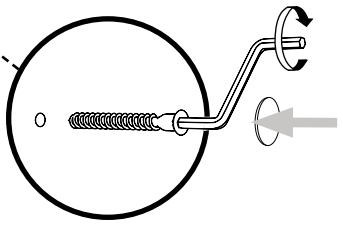
9A

E+M

E+M

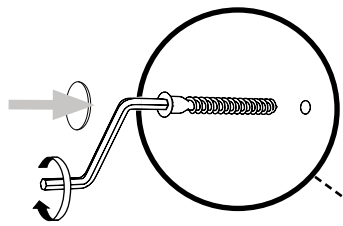
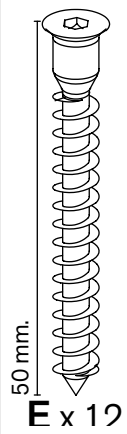
E+M

E+M



13

13 mm.  
M x 12



E+M

E+M

E+M

E+M

E+M

E+M

9B

13

E+M

E+M

9A

13

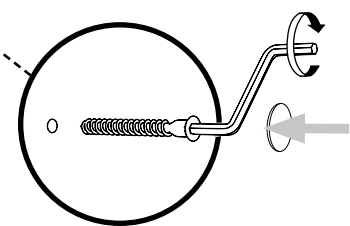
13

E+M

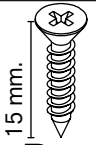
E+M

E+M

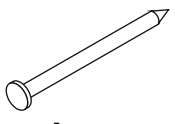
E+M



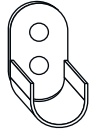
14



B x 04

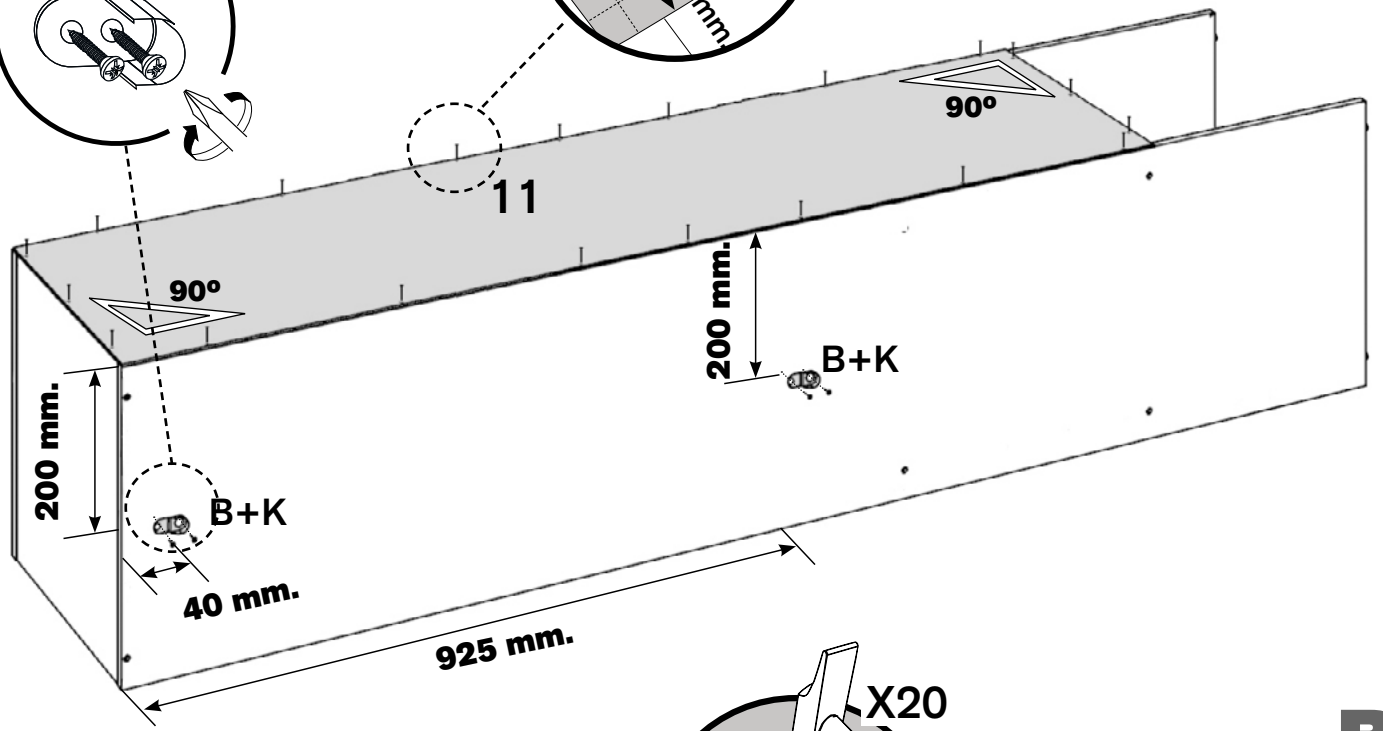
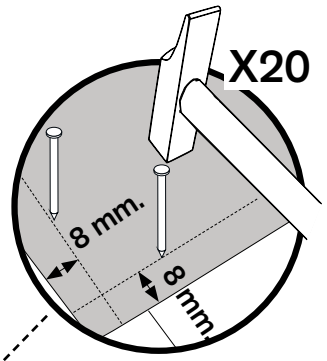
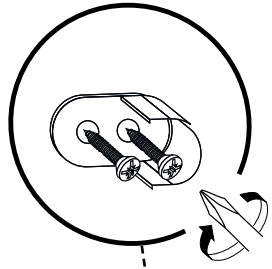


I x 20

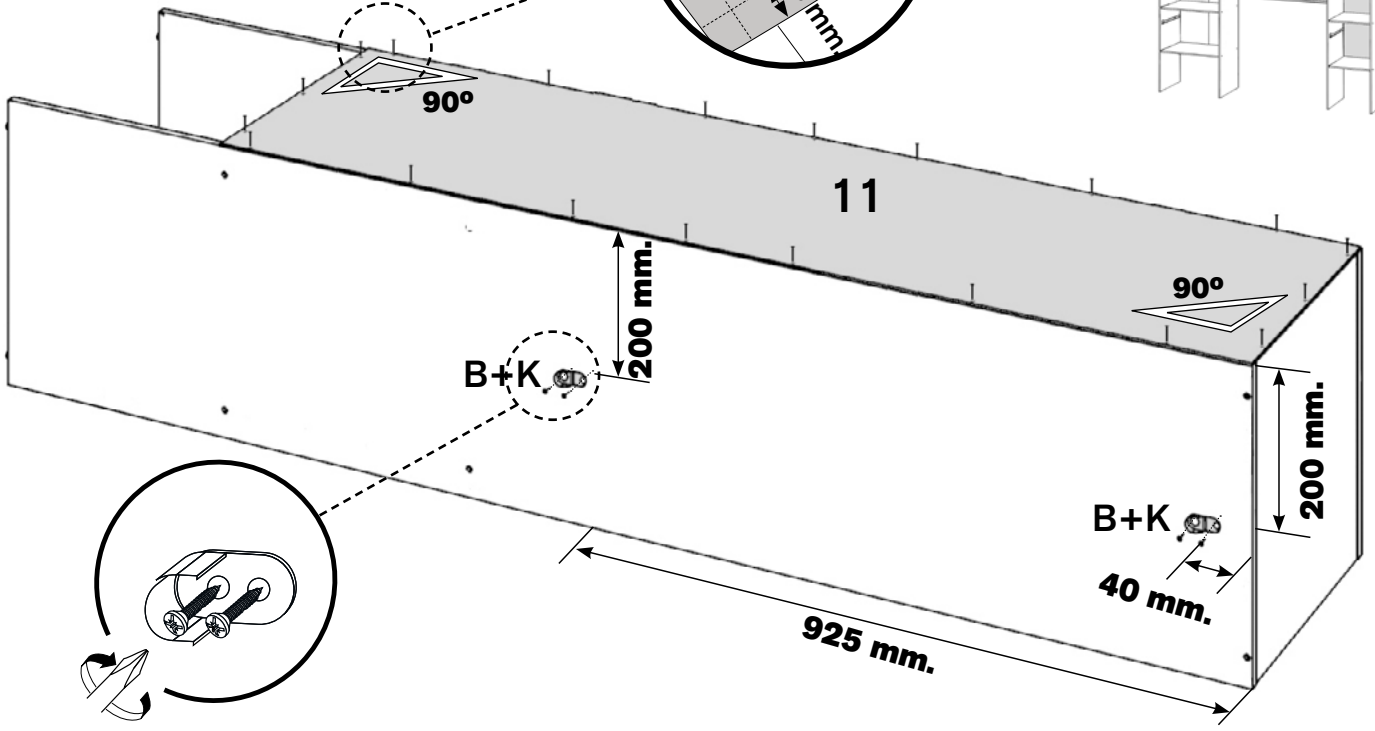
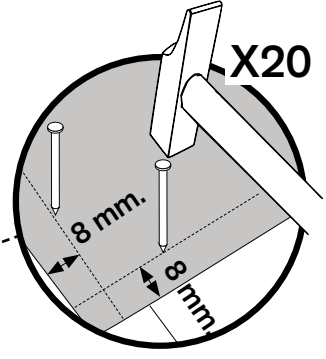


K x 02

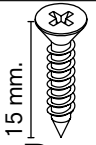
A



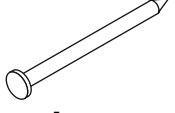
B



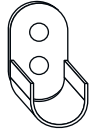
15



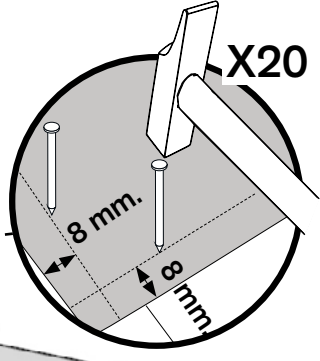
B x 04



I x 20

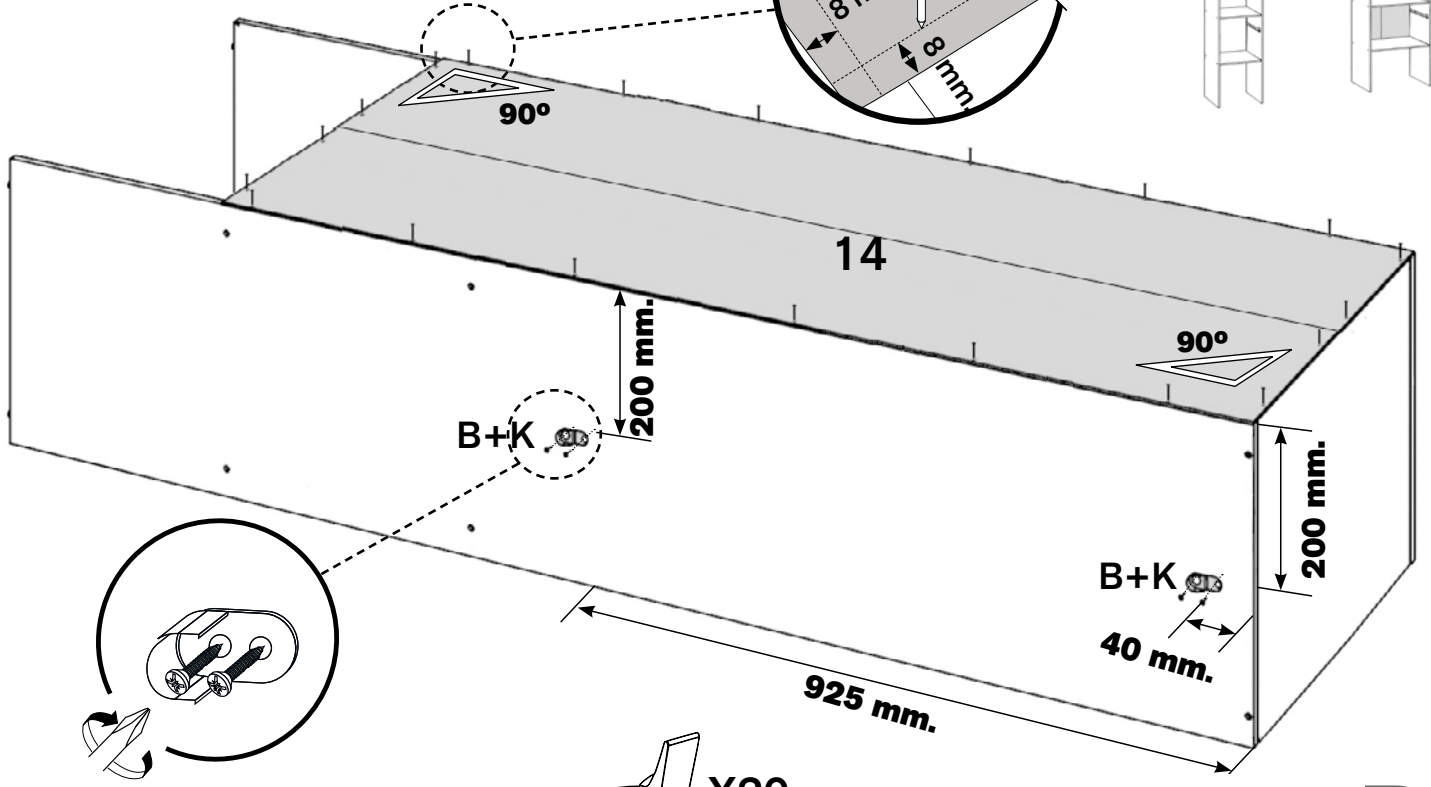


K x 02

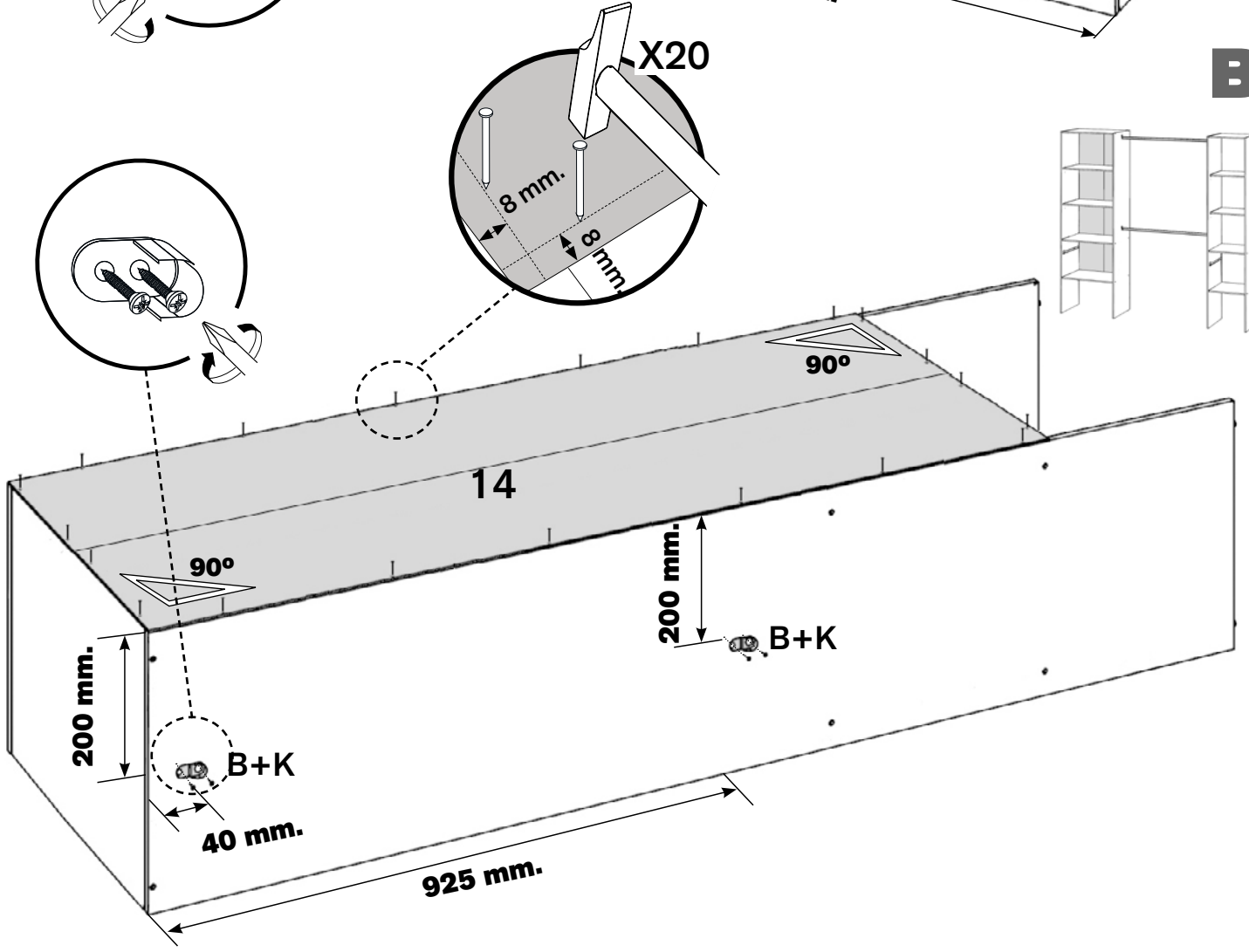


X20

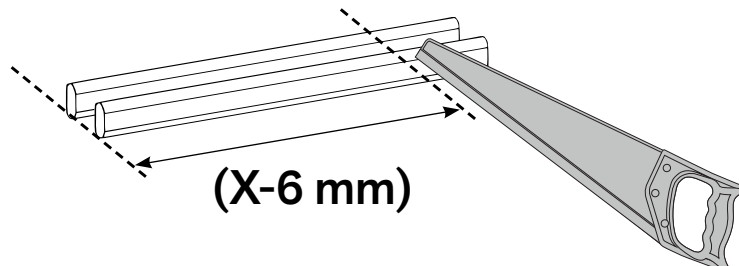
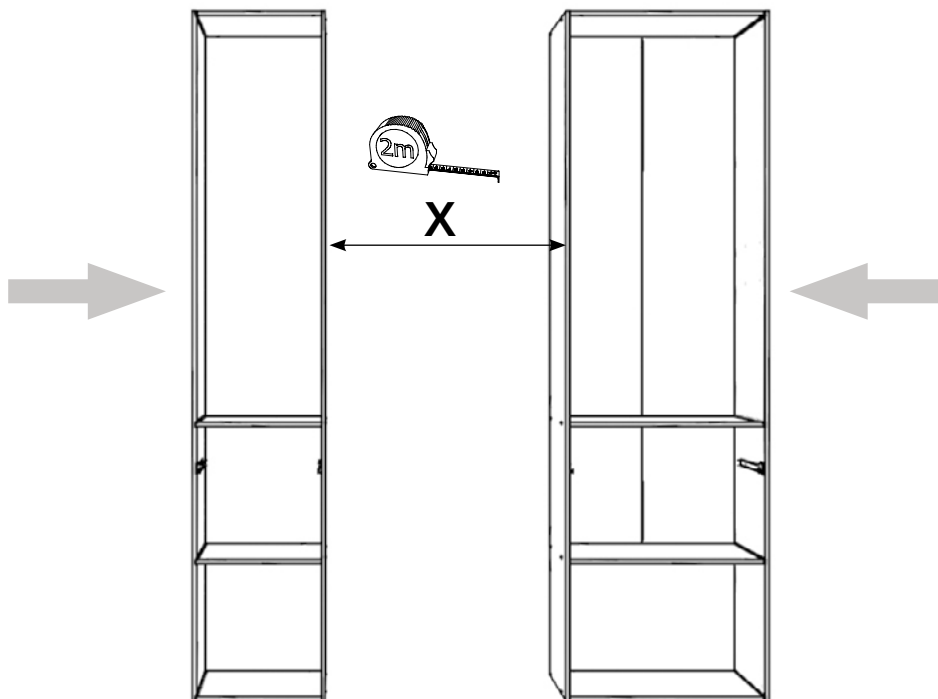
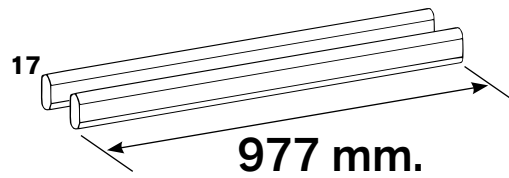
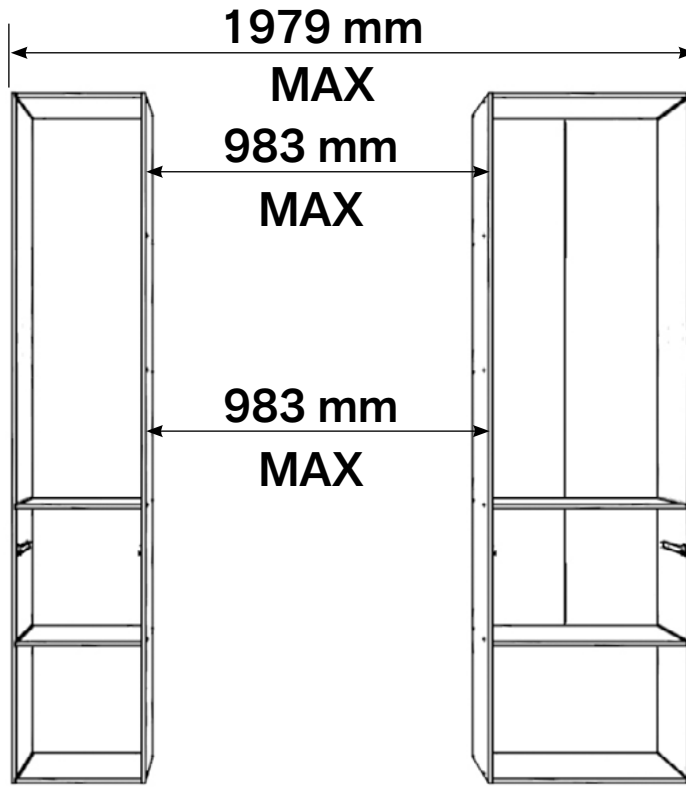
A

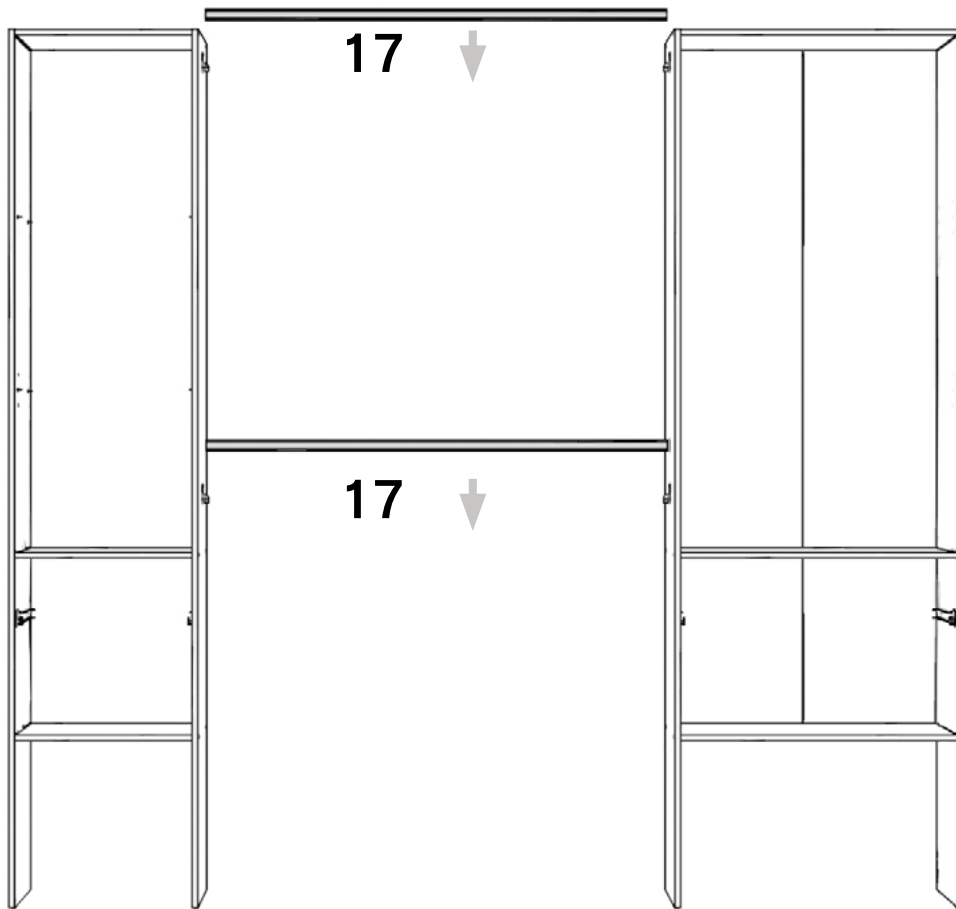


B

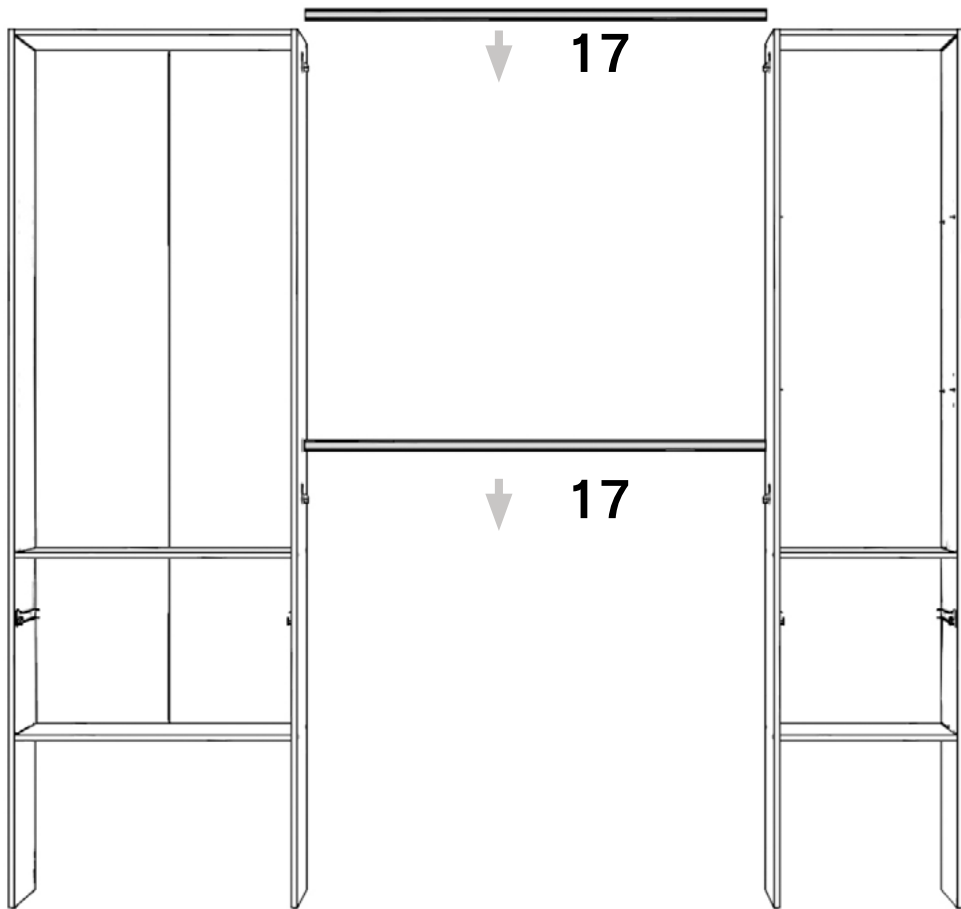


16









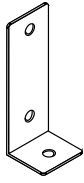


18

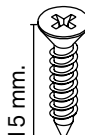
8 mm.



H x 04



J x 04

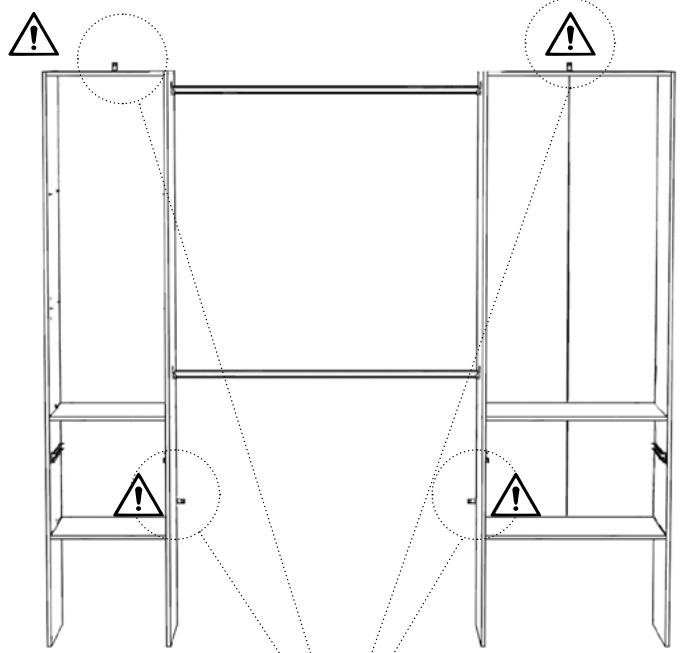
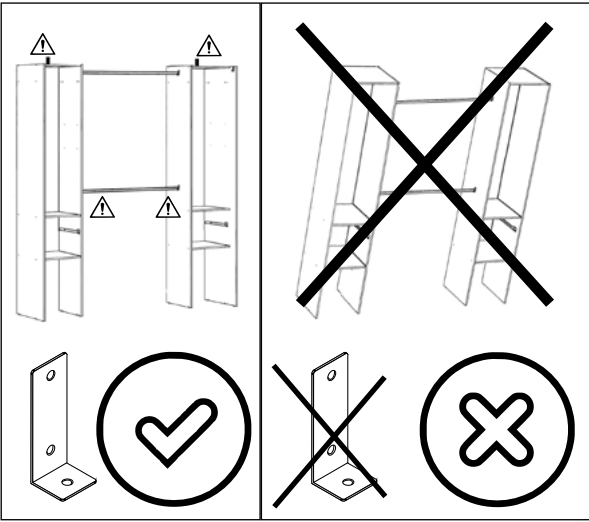


15 mm.  
B x 04

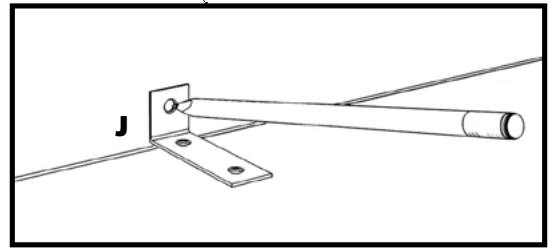
45 mm.



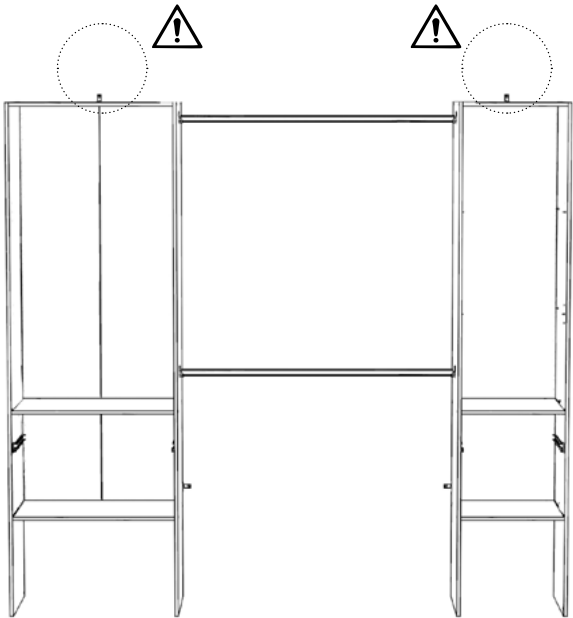
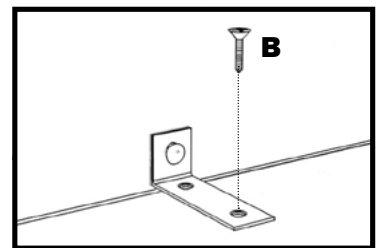
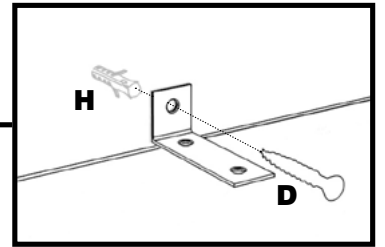
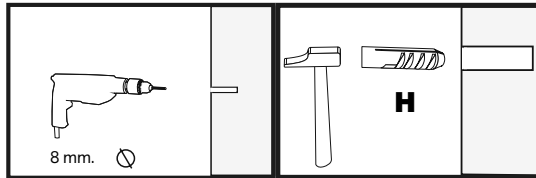
D x 04



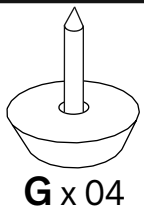
A



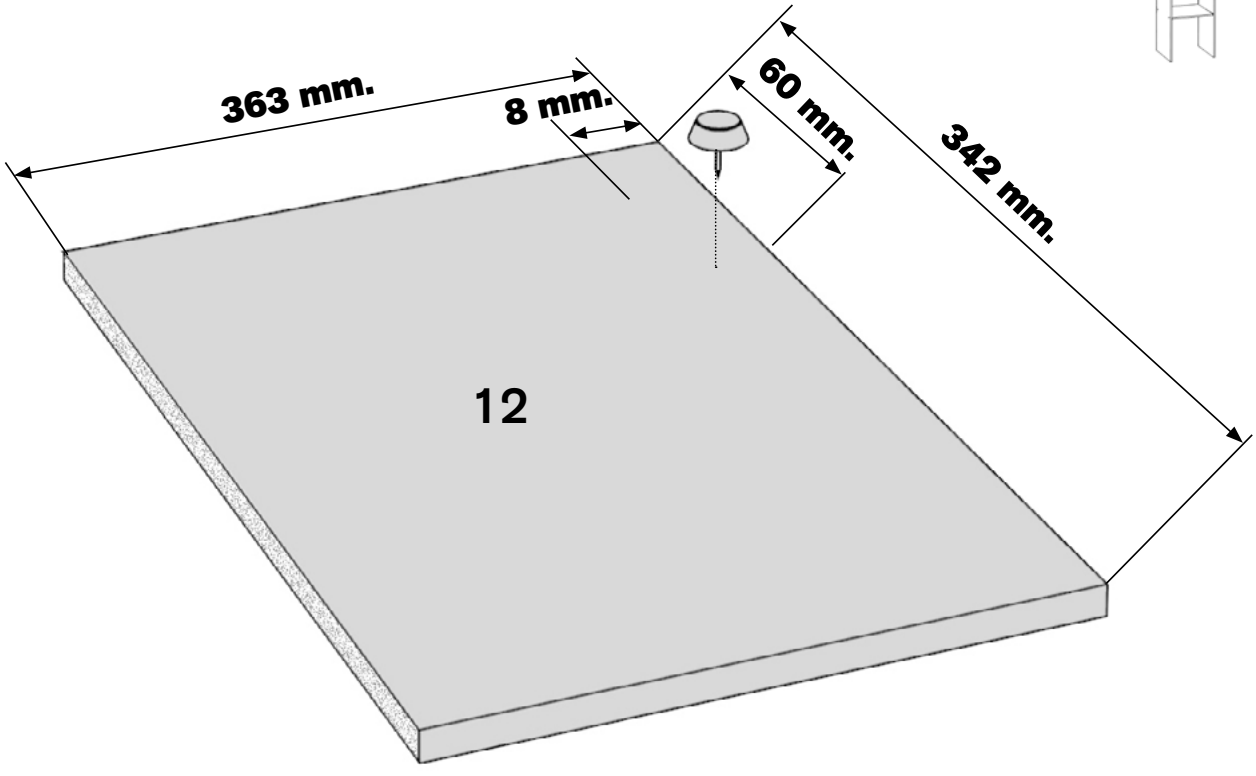
B



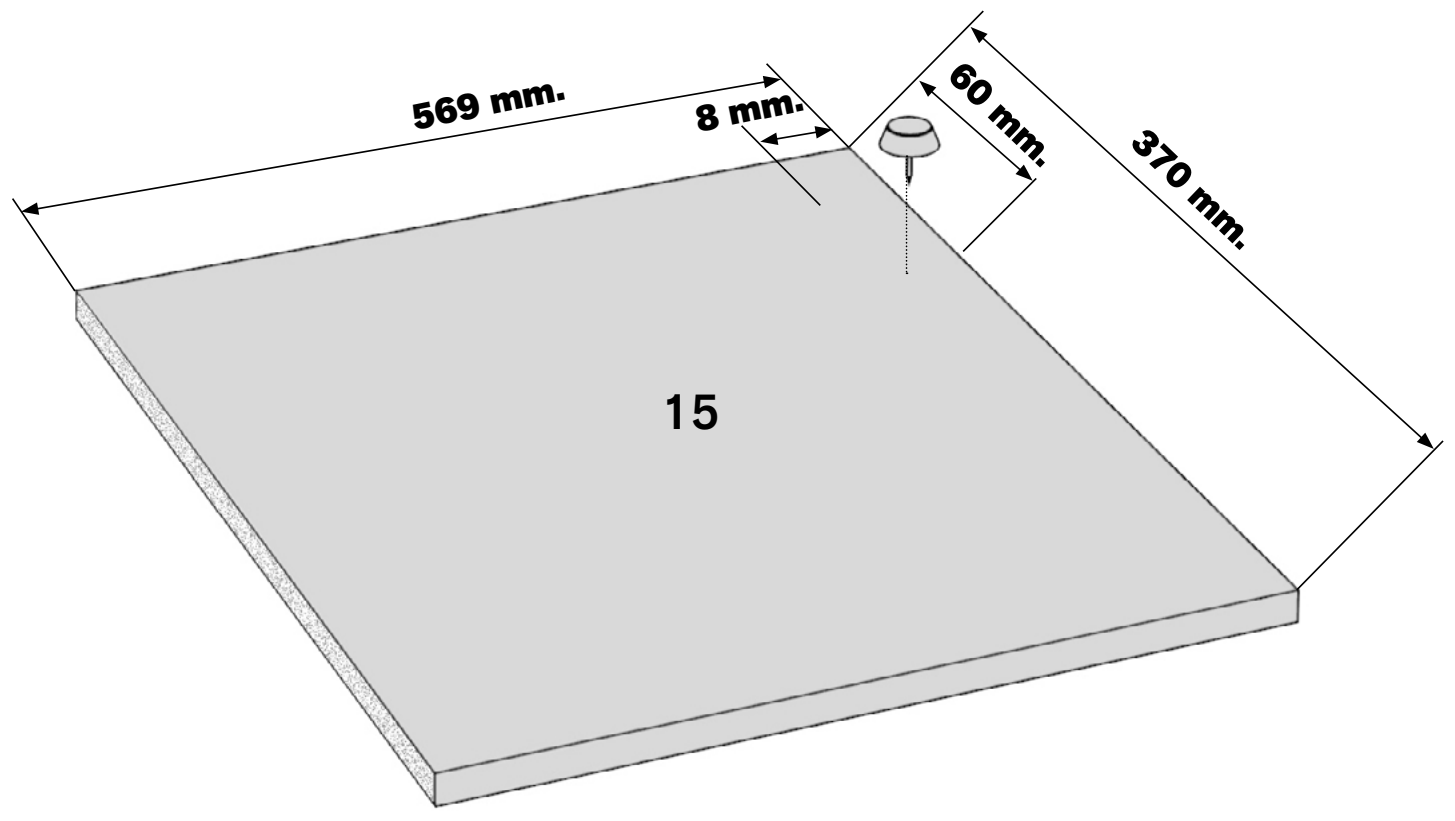
19



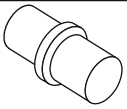
(X2)



(X2)

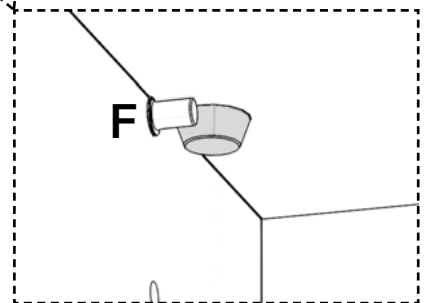
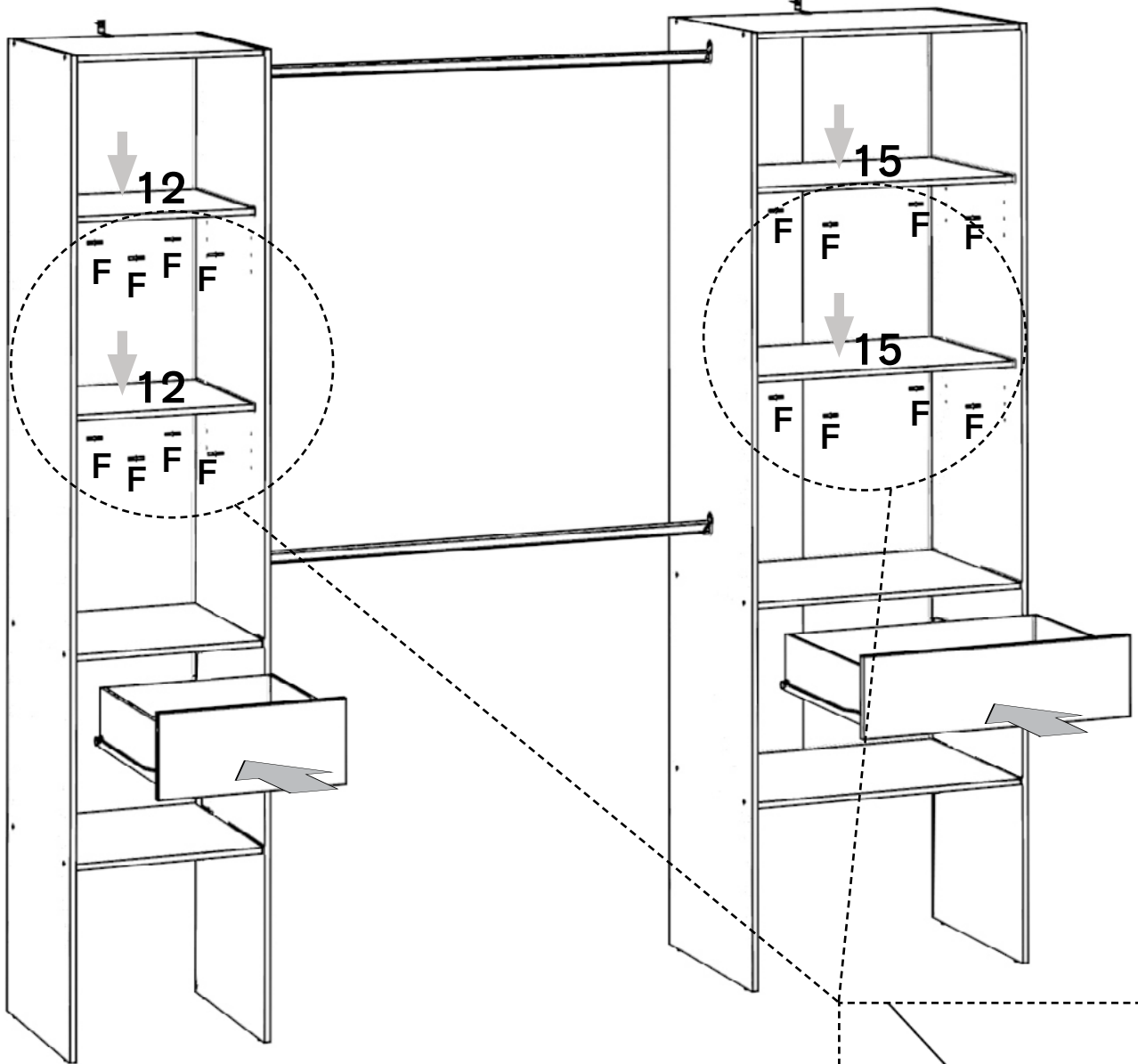
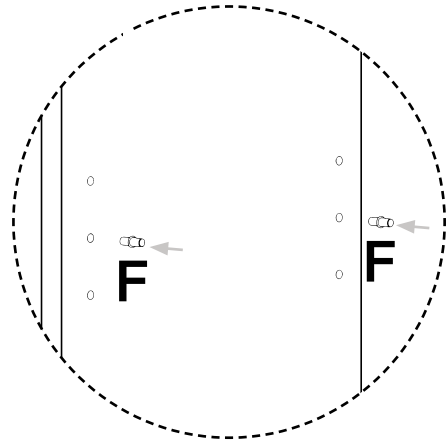


20

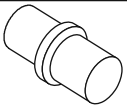


F x 16

A



20



F x 16

B

