

A x 06



B x 06



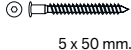
C x 14



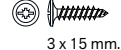
D x 40



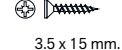
E x 14



F x 02



G x 29



H x 04



I x 02



J x 01



Nº 3

K x 14



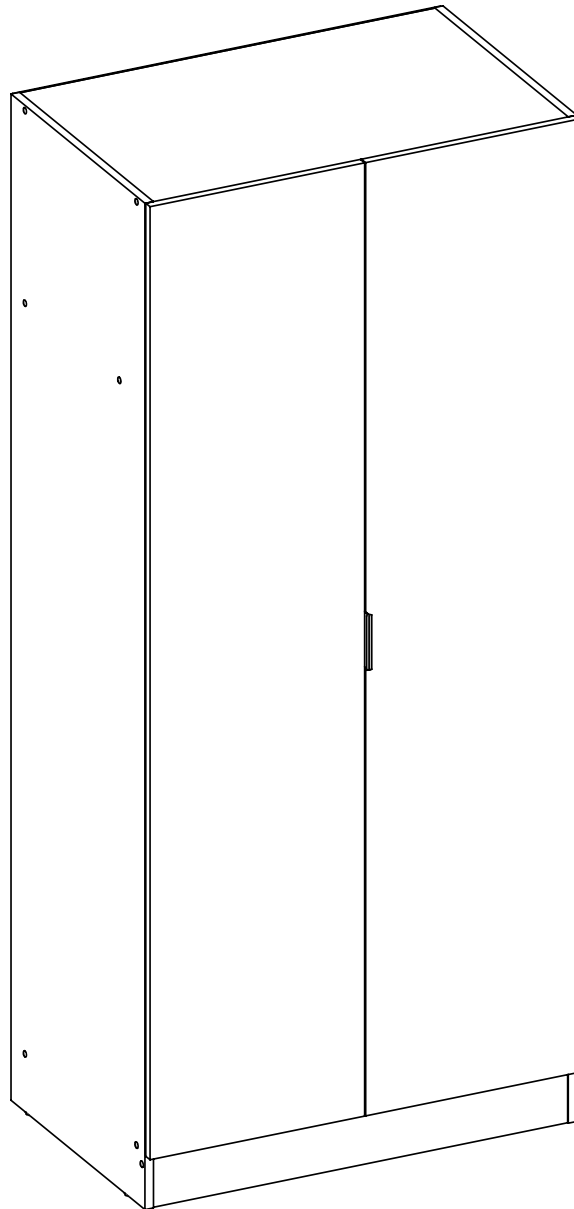
3 mm.

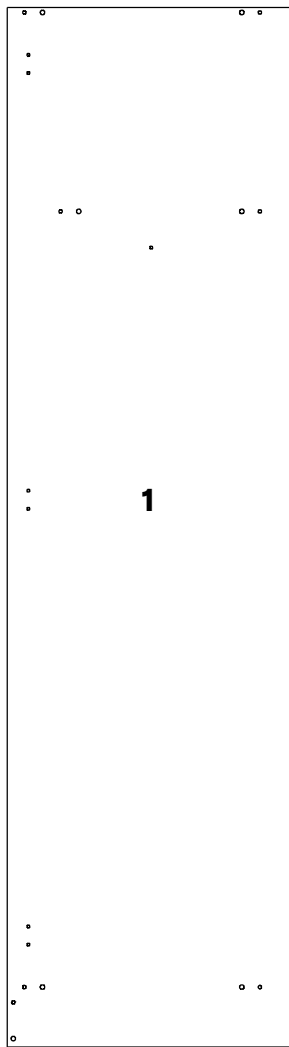
L x 04



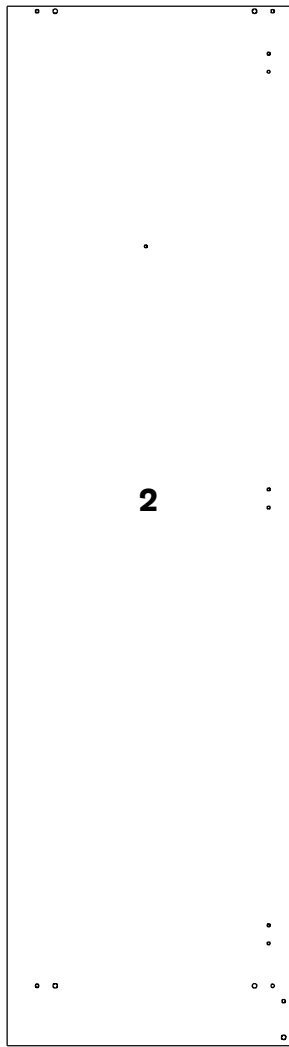
7 mm.

W x 01

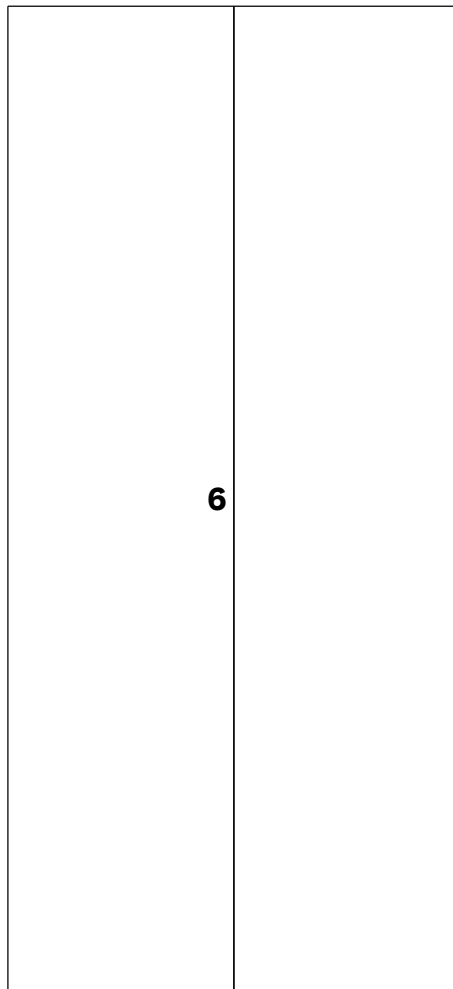




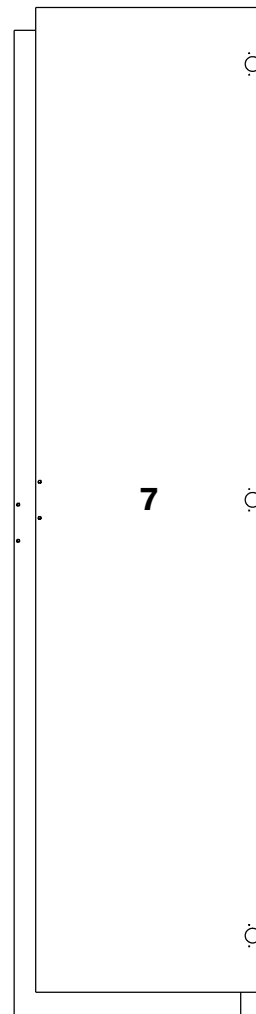
499 x 1837 mm.



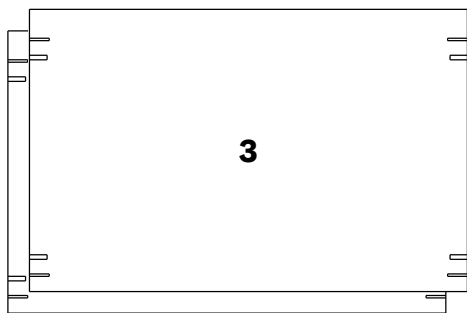
499 x 1837 mm.



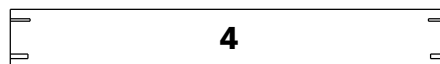
798 x 1740 mm.



400 x 1740 mm.



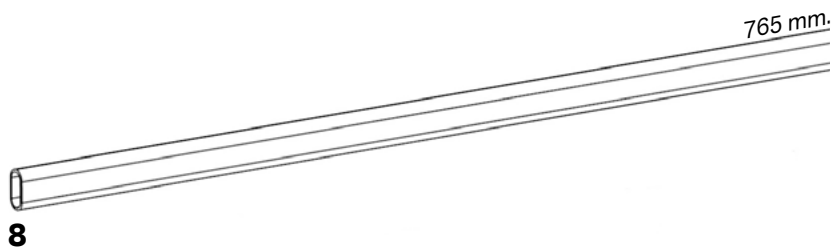
774 x 498 mm.



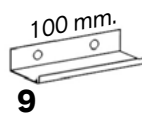
773 x 98 mm.



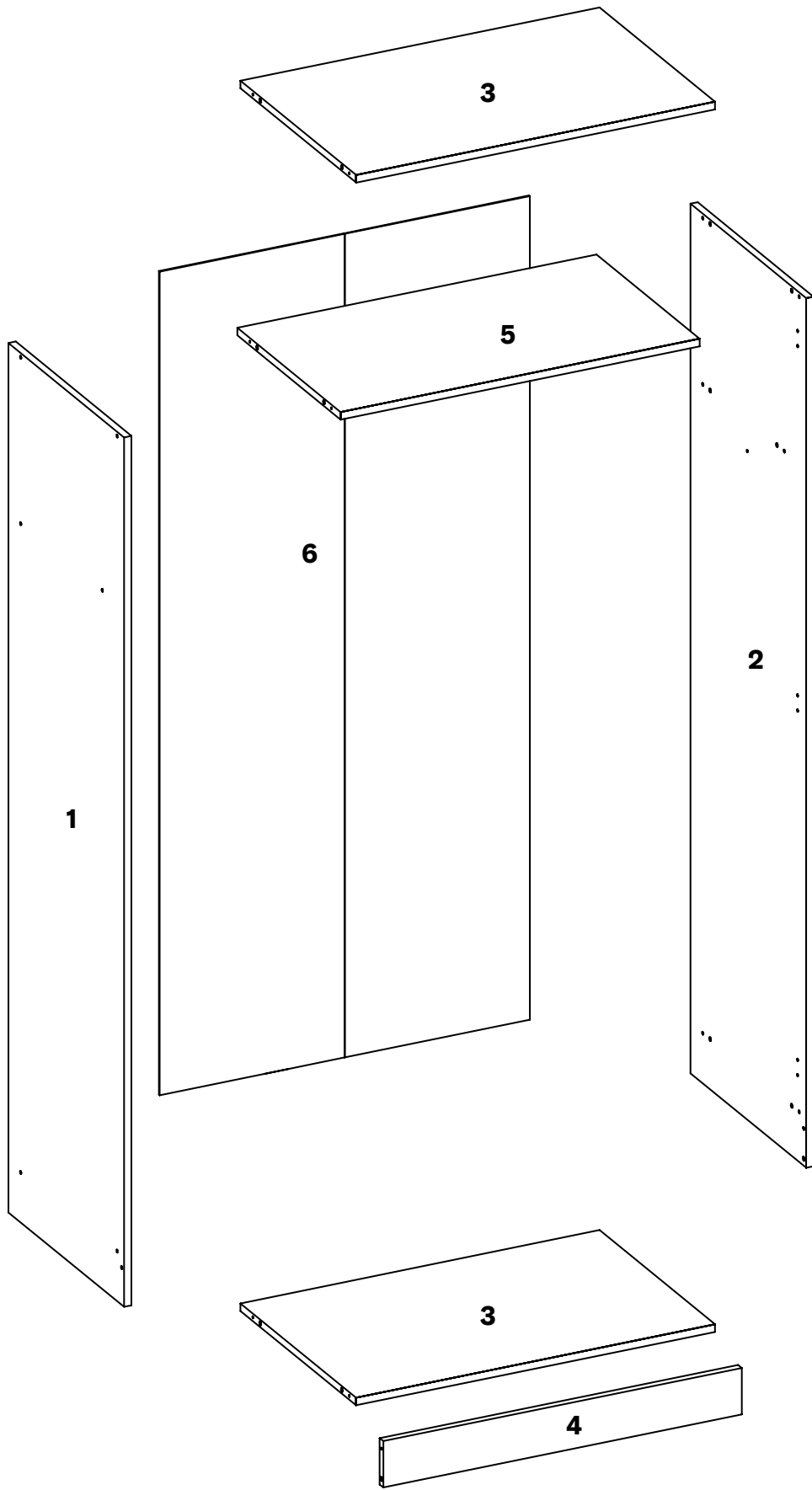
774 x 445 mm.



765 mm.

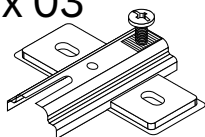


100 mm.

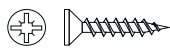


1

B x 03



G x 08

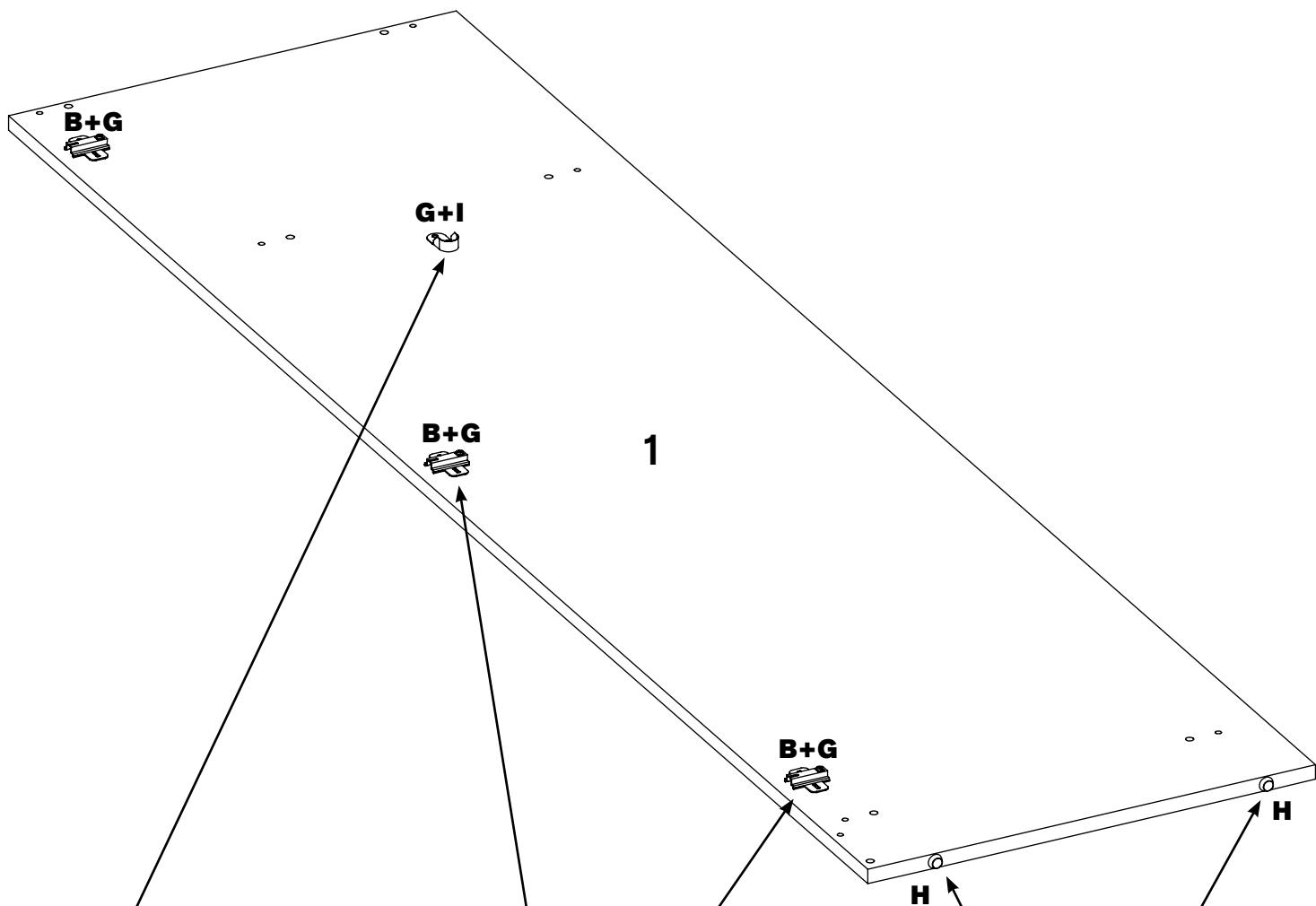
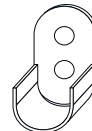


3.5 x 15 mm.

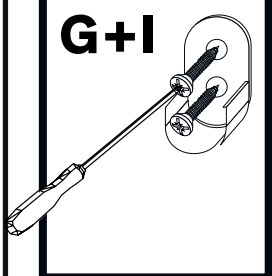
H x 02



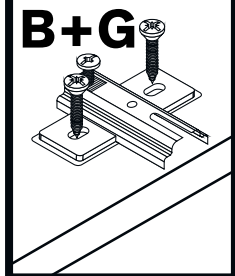
I x 01



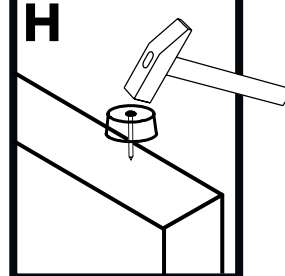
G+I



B+G

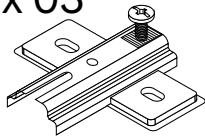


H



2

B x 03

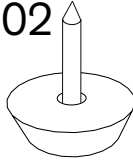


G x 08

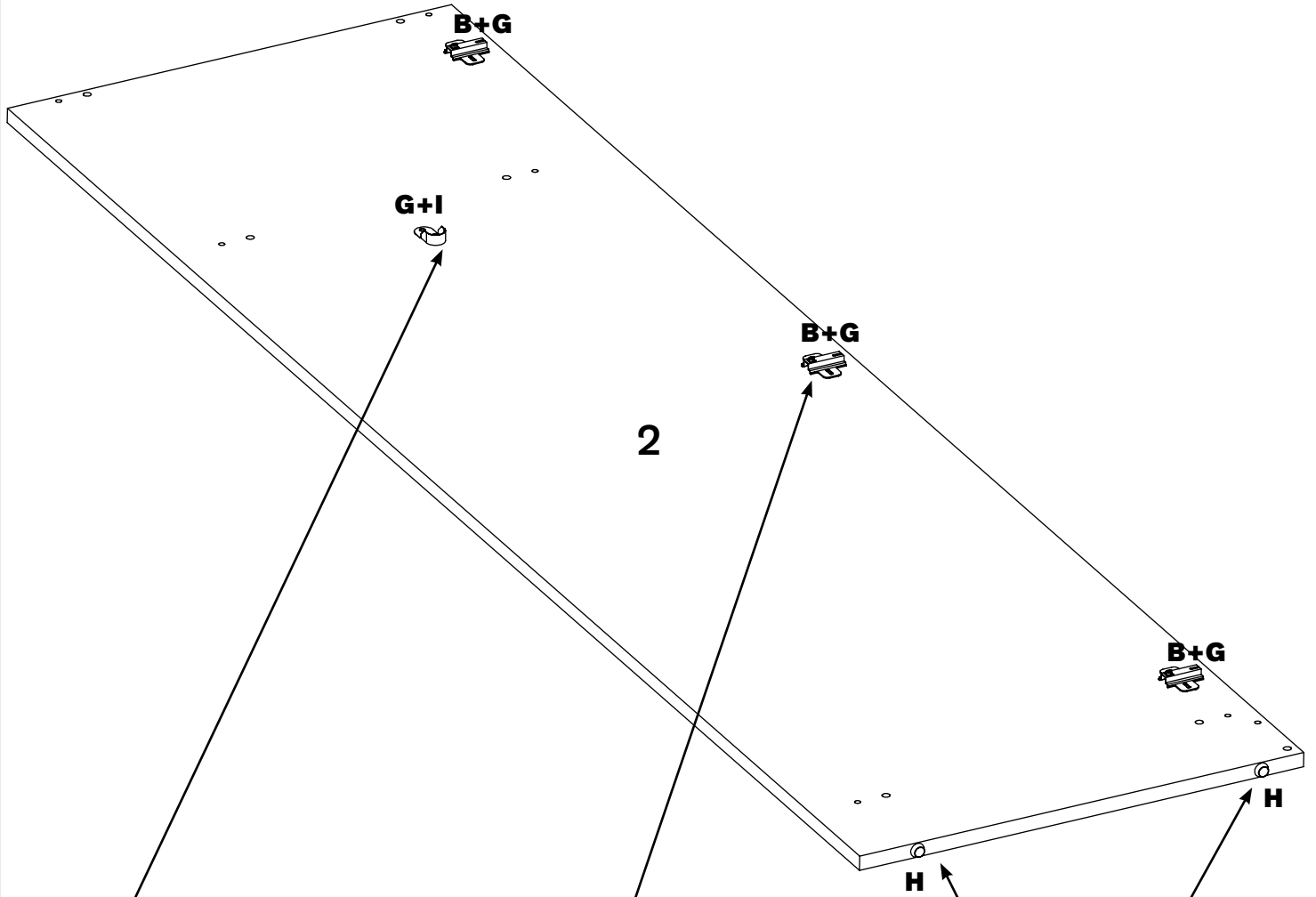
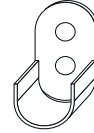


3.5 x 15 mm.

H x 02

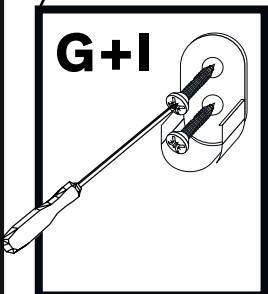


I x 01

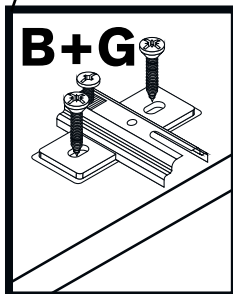


2

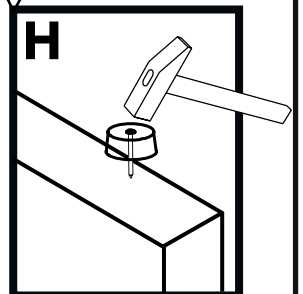
G+I



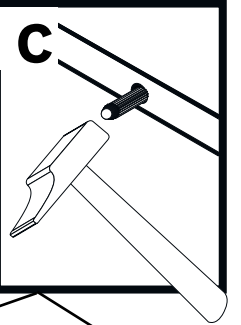
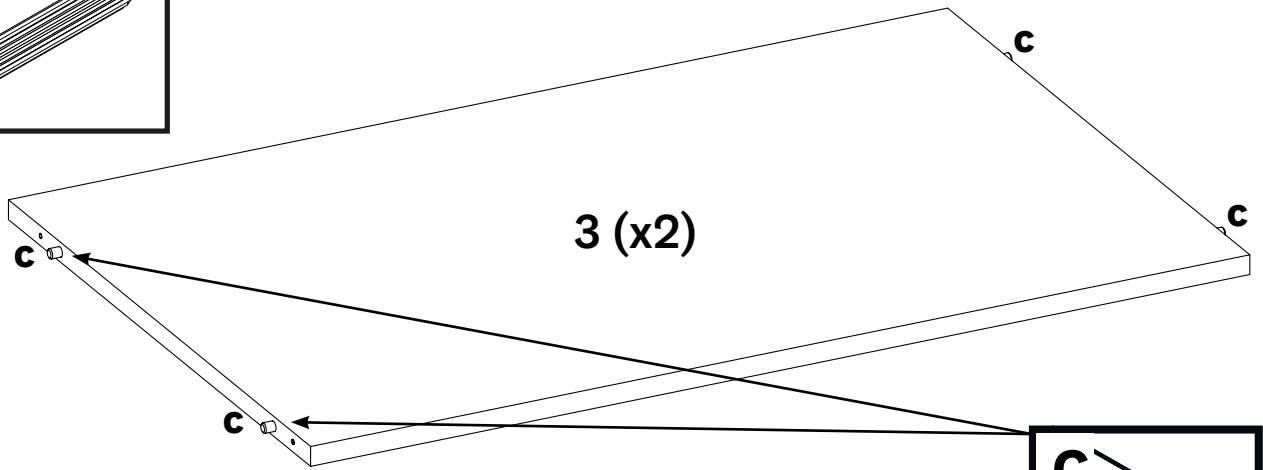
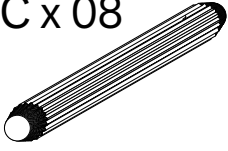
B+G



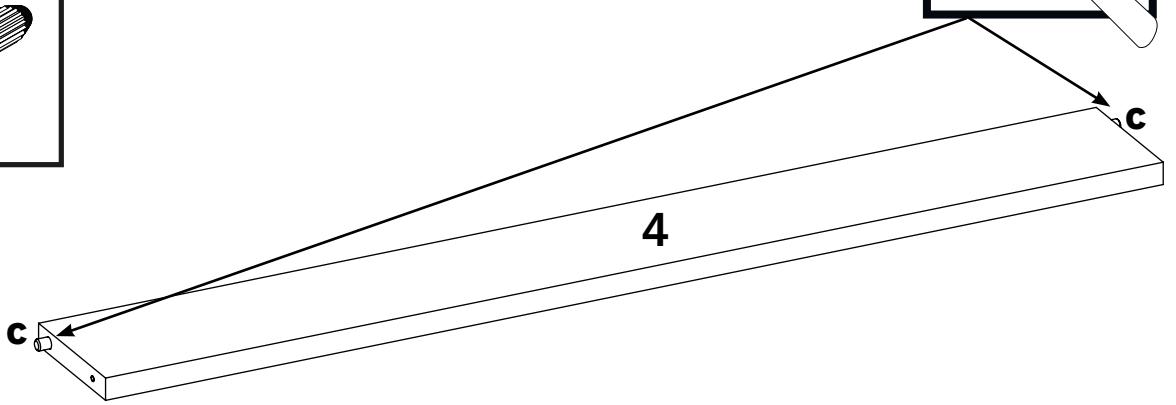
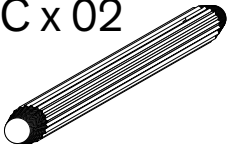
H



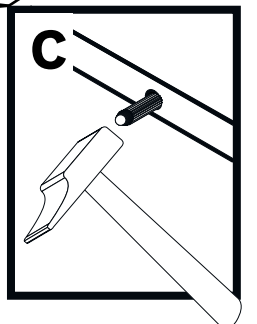
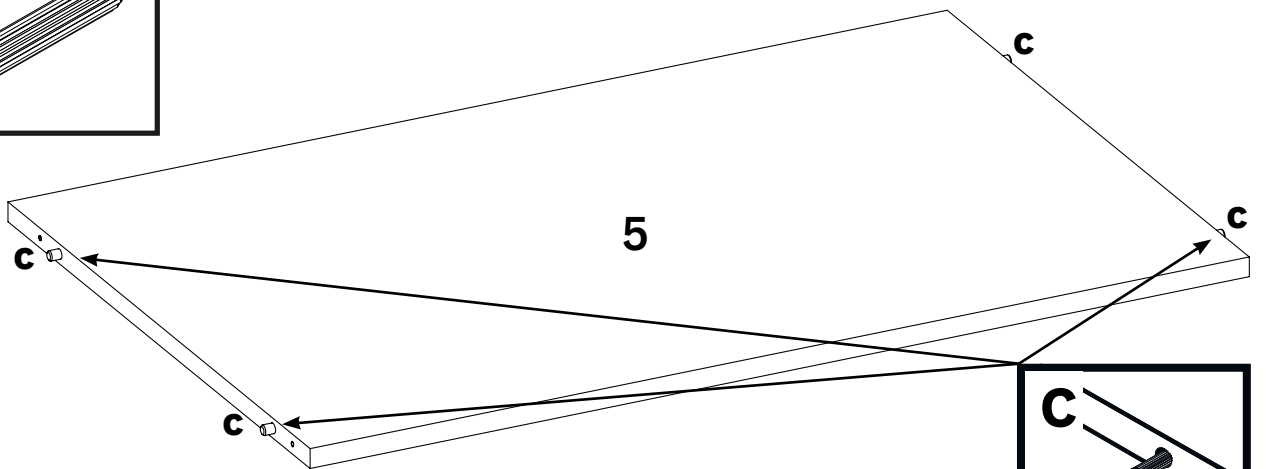
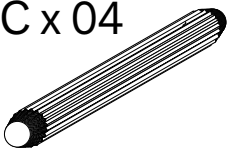
3 C x 08



4 C x 02

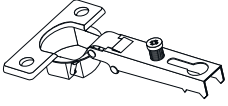


5 C x 04



6

A x 06



G x 12

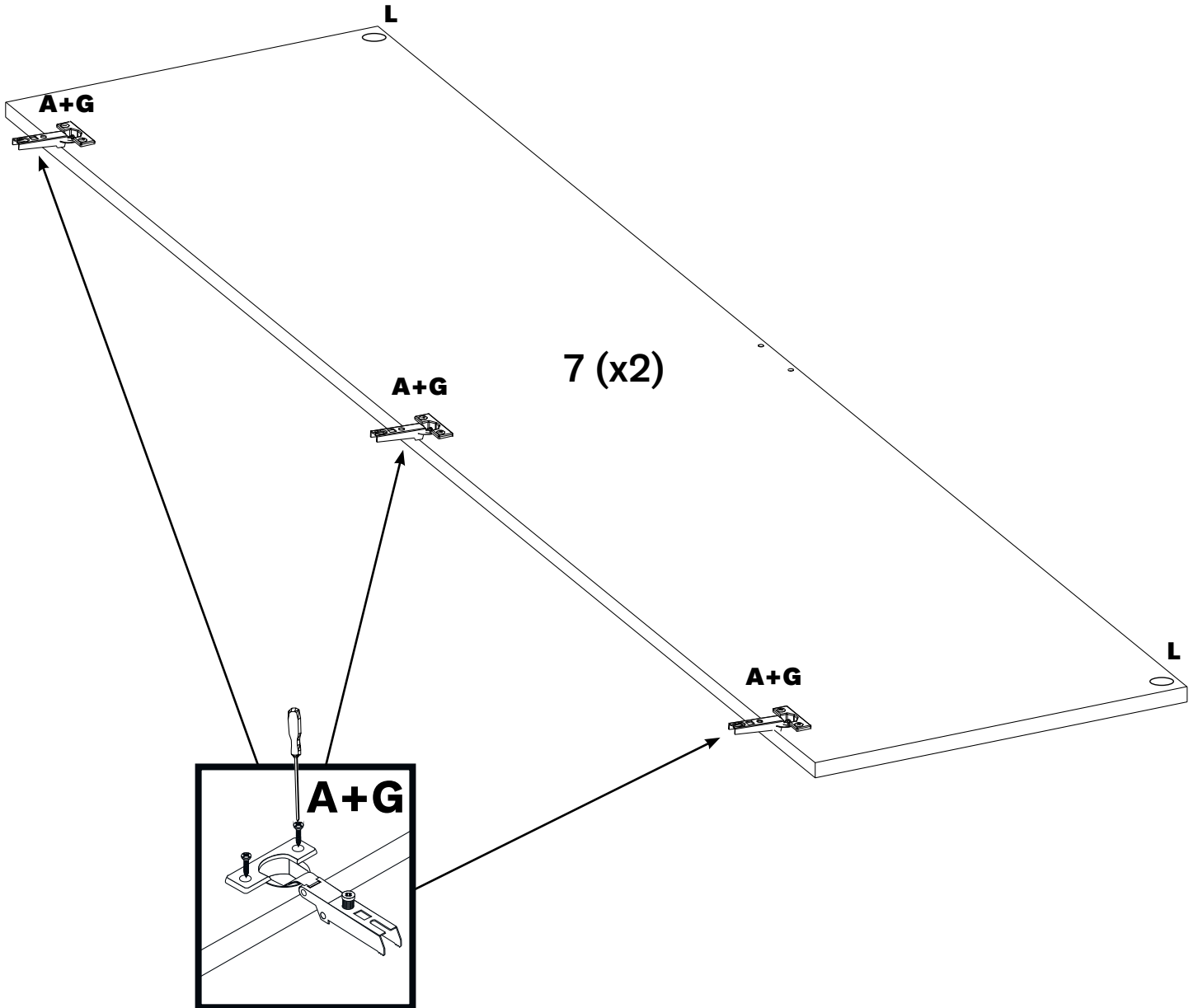


3.5 x 15 mm.

L x 04



7 mm.



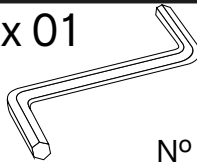
7

E x 14



5 x 50 mm.

J x 01

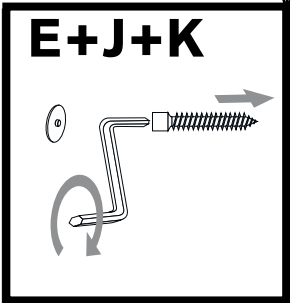
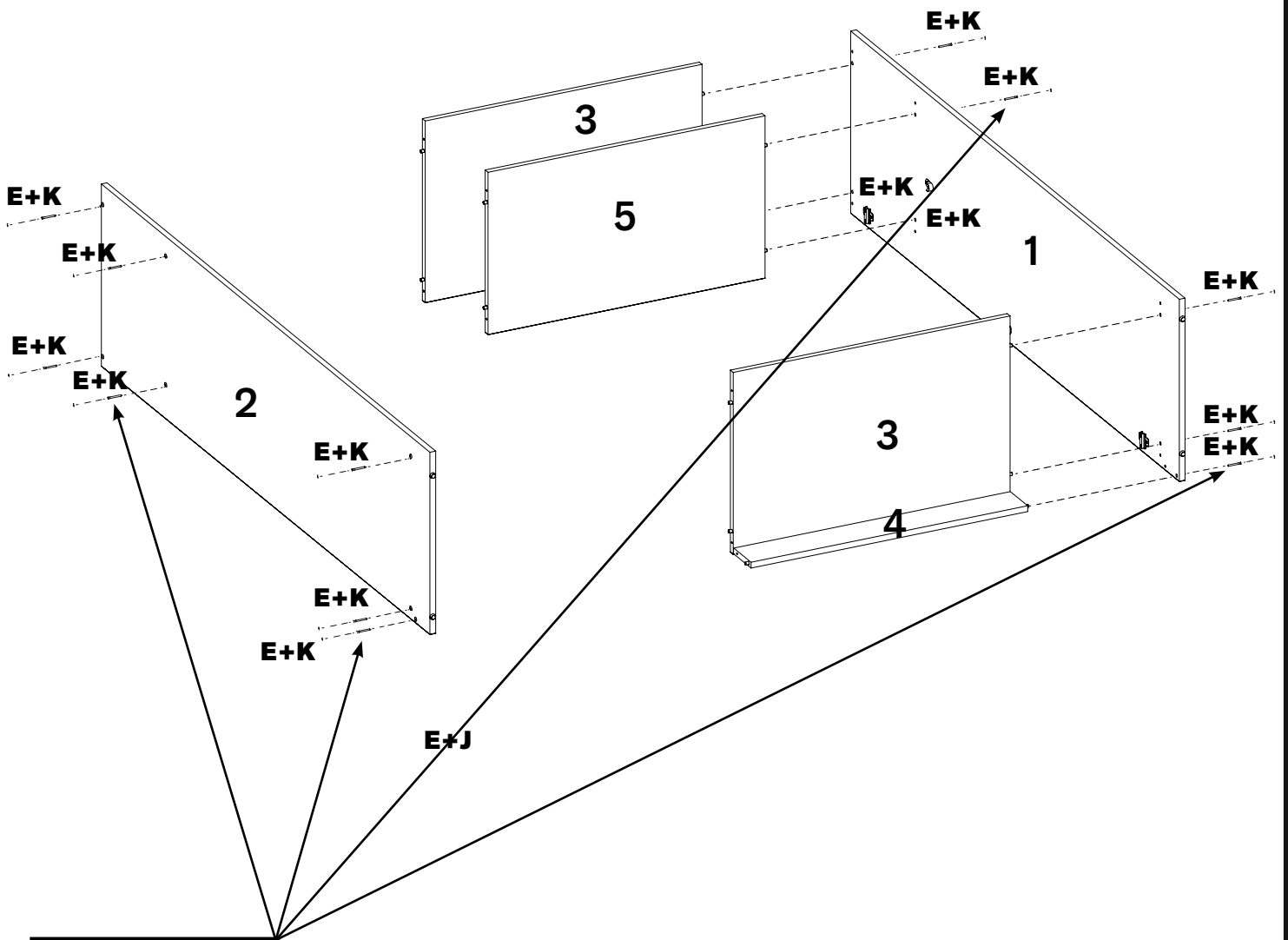


Nº 3

K x 14



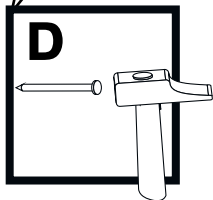
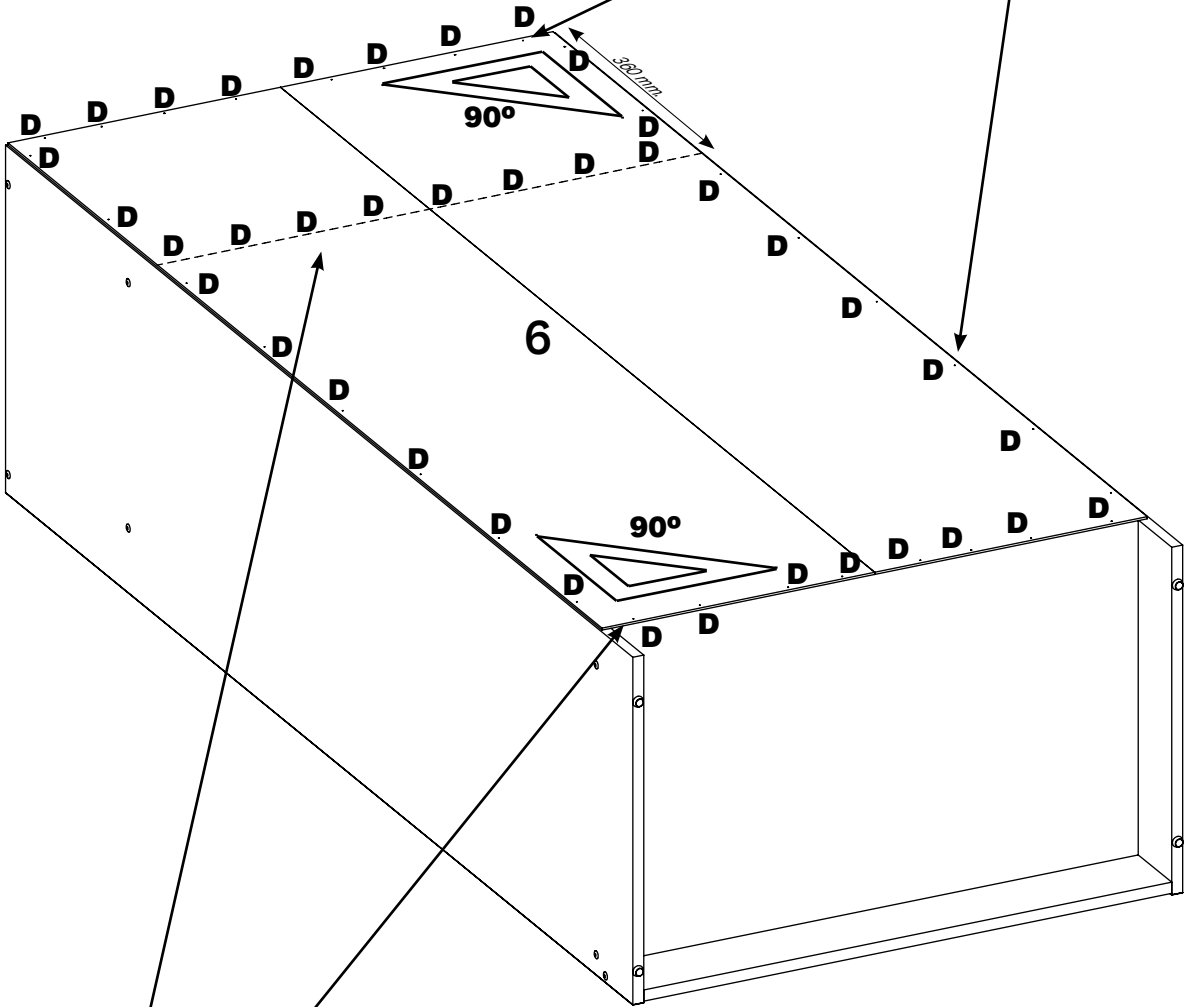
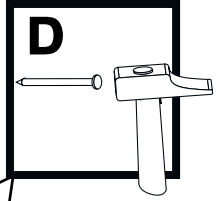
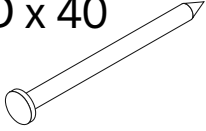
3 mm.



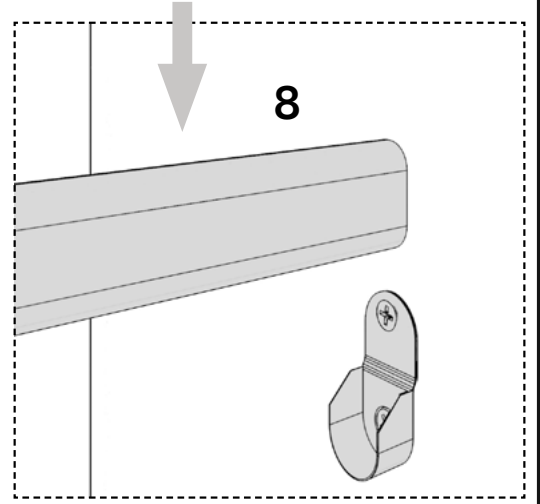
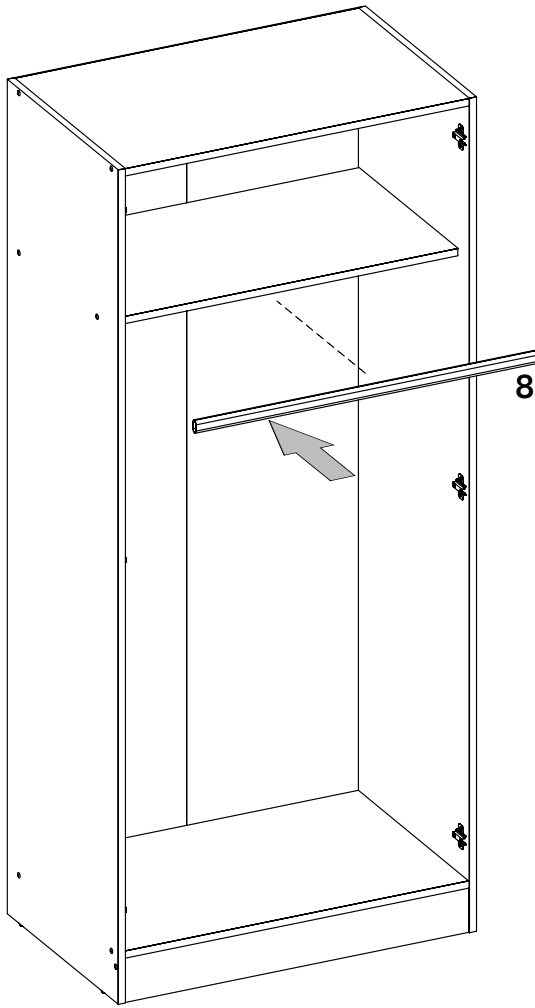


8

D x 40

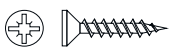


9



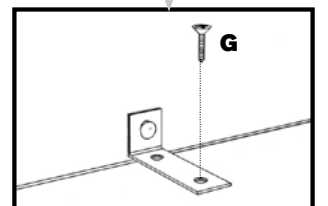
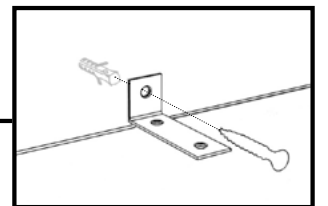
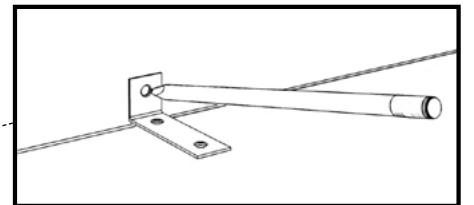
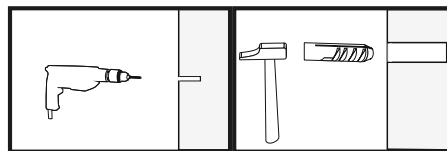
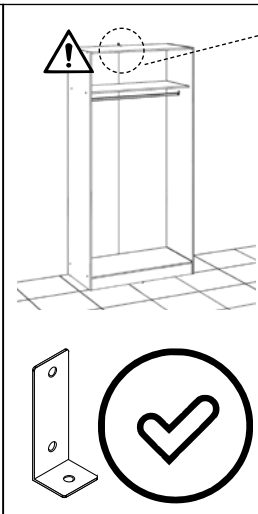
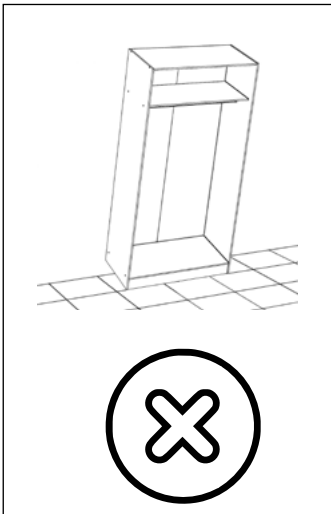
10

G x 01



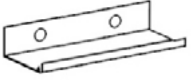
3.5 x 15 mm.

W x 01



11

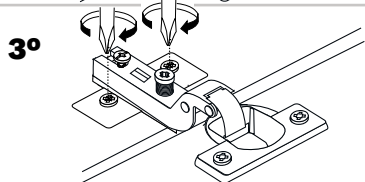
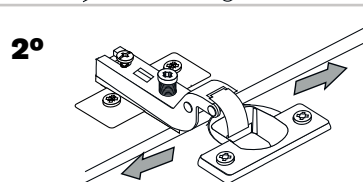
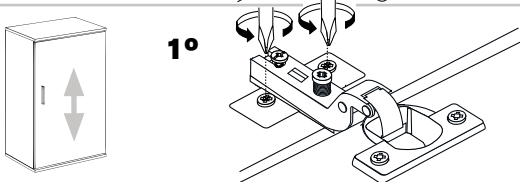
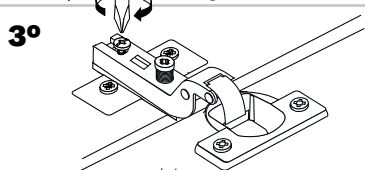
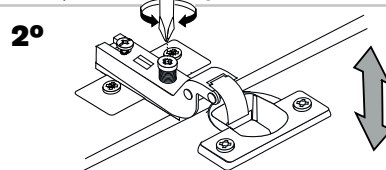
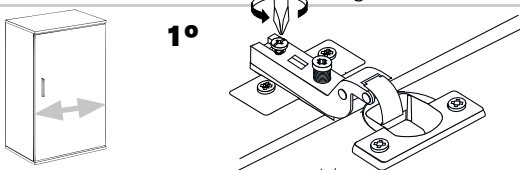
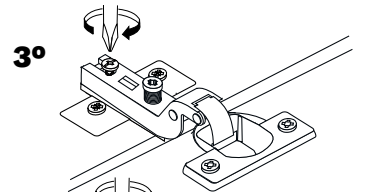
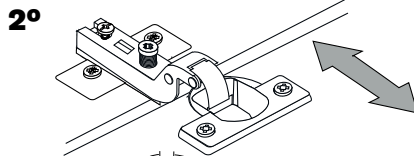
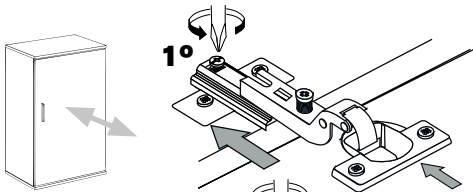
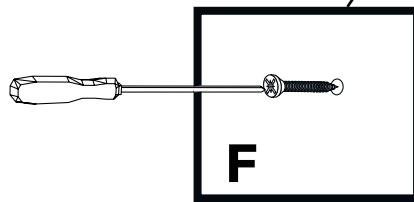
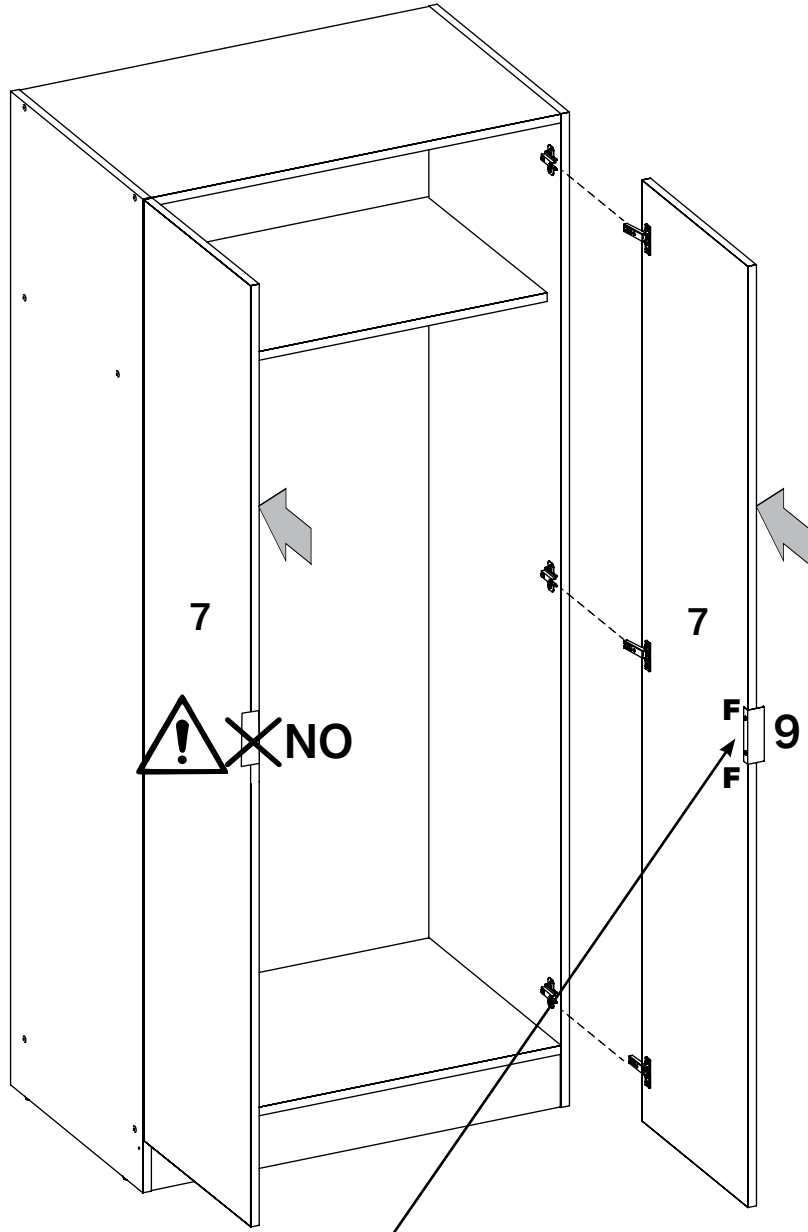
9 x 01

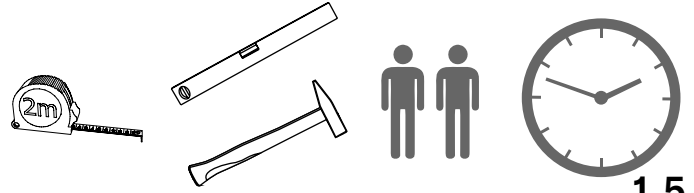
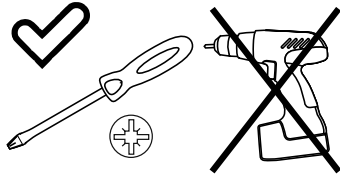


F x 02

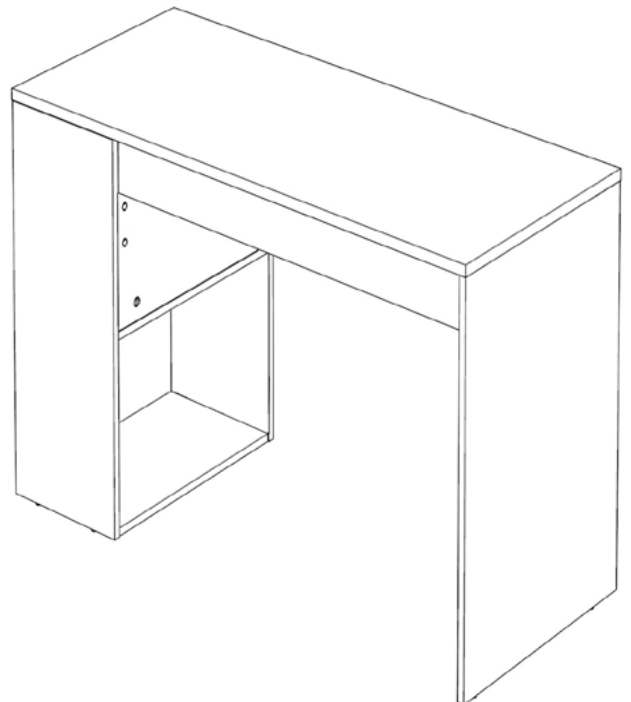
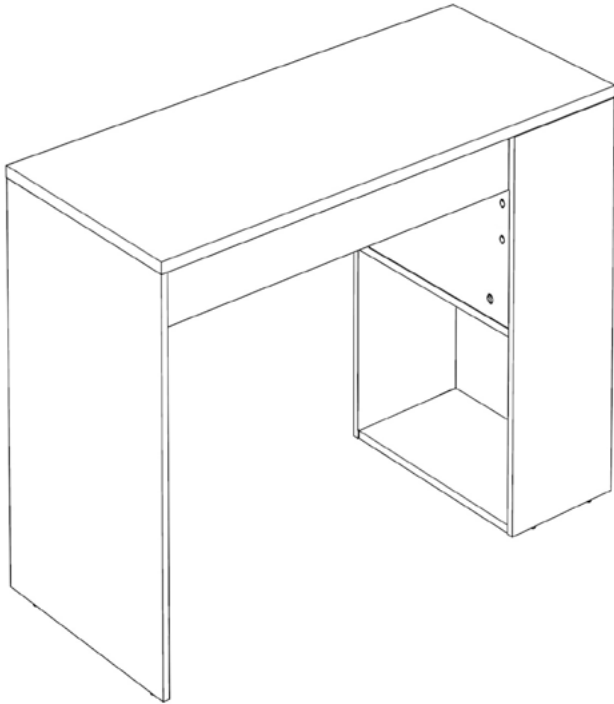


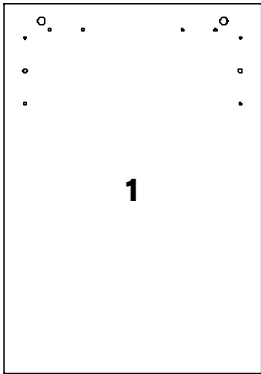
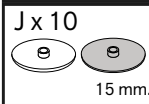
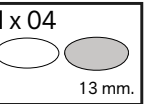
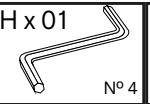
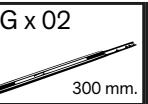
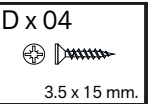
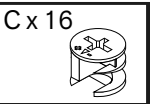
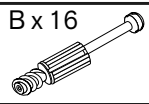
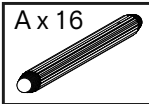
3 x 15 mm.



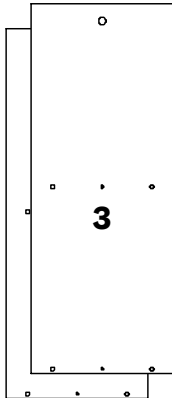


1.5 h.

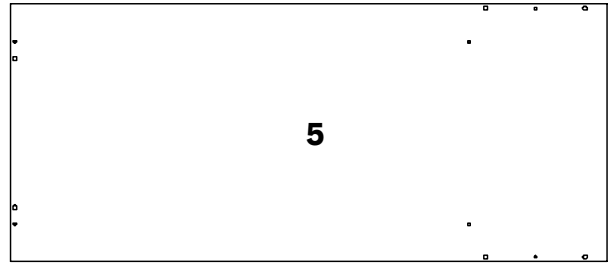




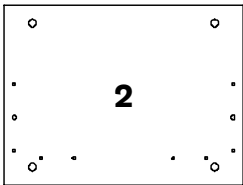
496 x 715 mm.



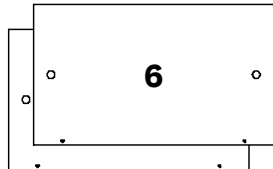
273 x 715 mm.



1152 x 498 mm.



464 x 346 mm.



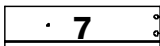
464 x 272 mm.



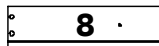
861 x 246 mm.



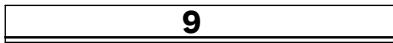
840 x 298 mm.



300 x 80 mm.



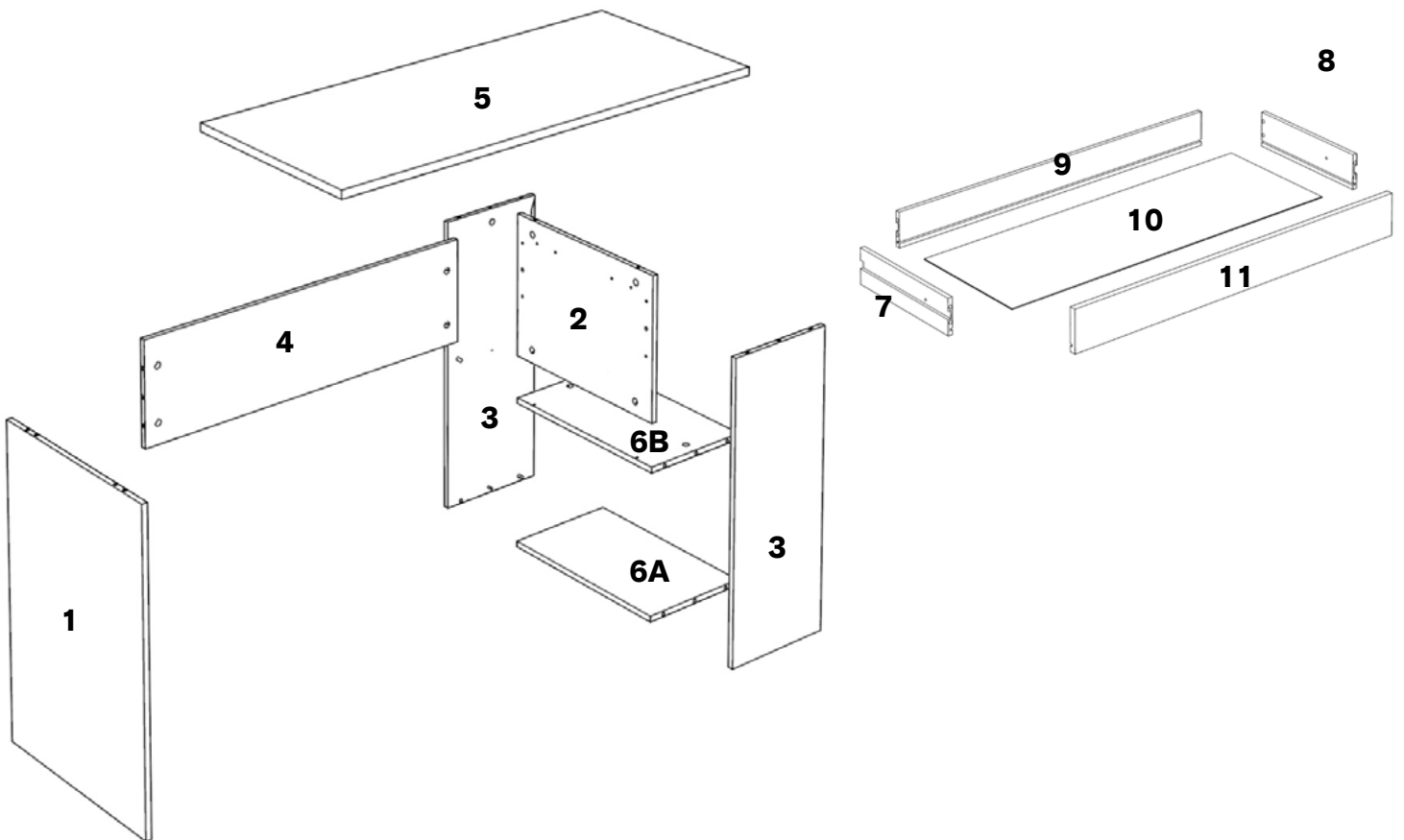
300 x 80 mm.



828 x 80 mm.

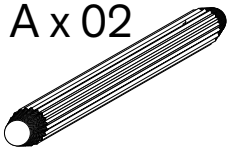


854 x 95 mm.

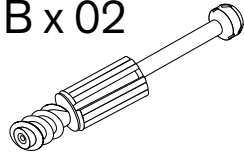


1

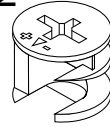
A x 02



B x 02



C x 02

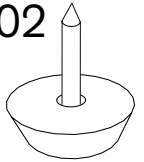


E x 02

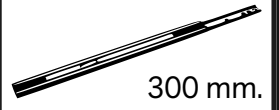


3.5 x 15 mm.

F x 02



G x 01

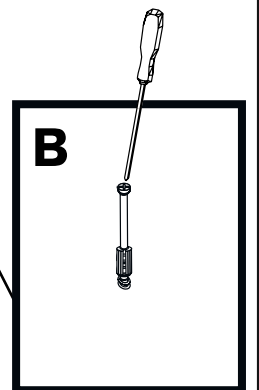
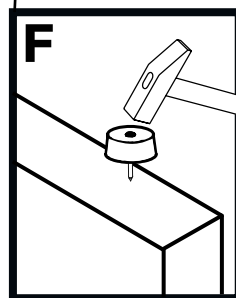
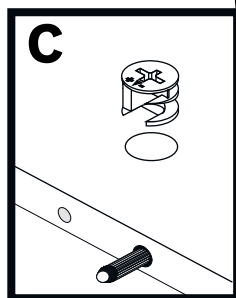
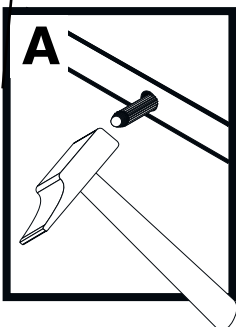
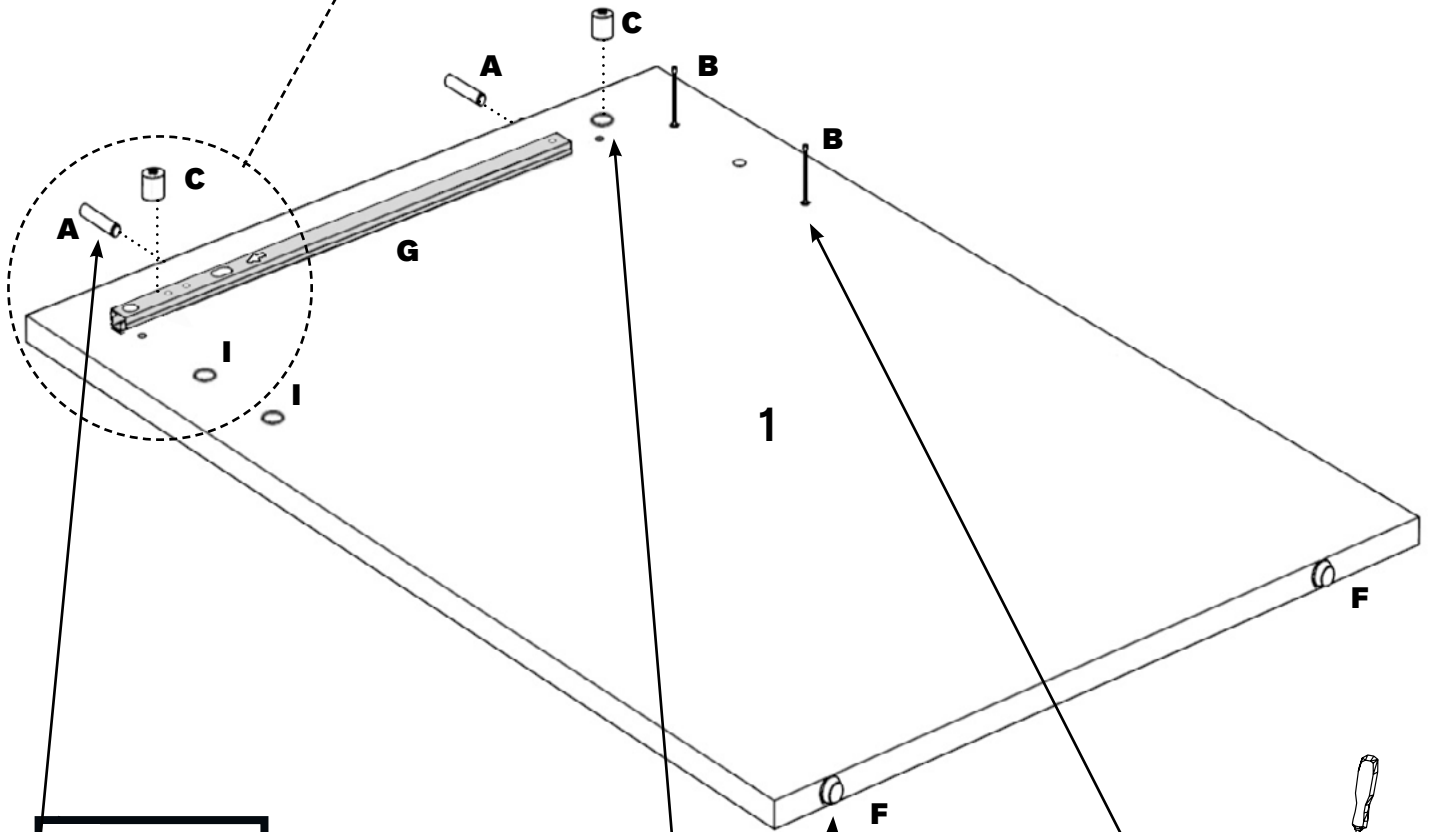
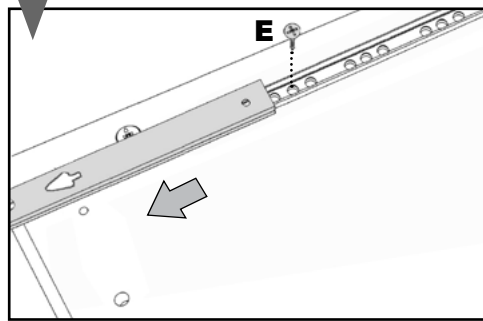
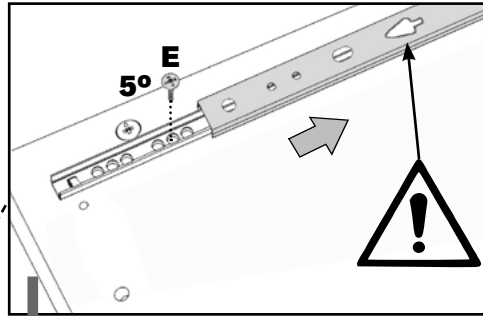
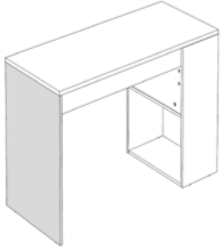


300 mm.

I x 02

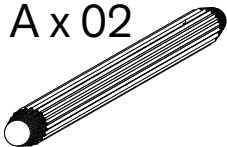


13 mm.

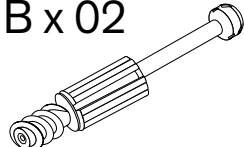


1

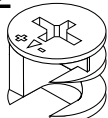
A x 02



B x 02



C x 02



E x 02



3.5 x 15 mm.

F x 02



G x 01

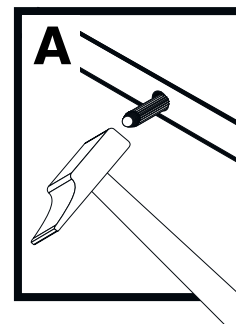
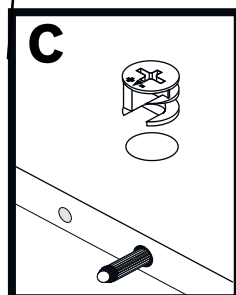
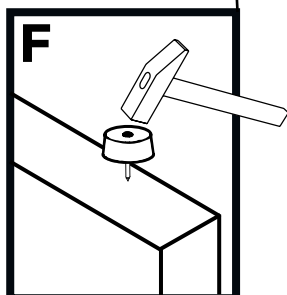
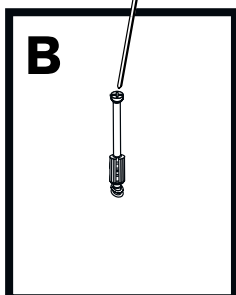
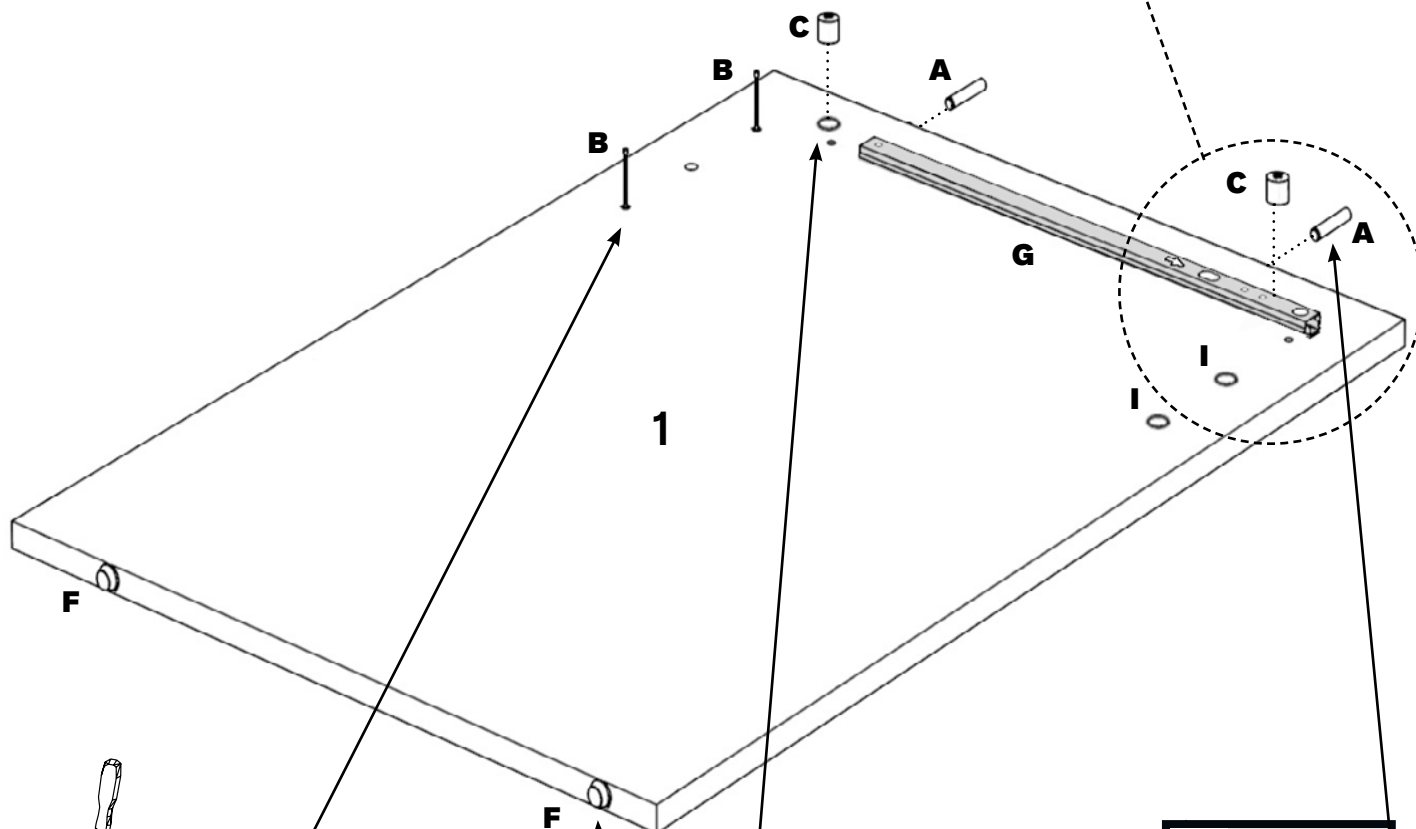
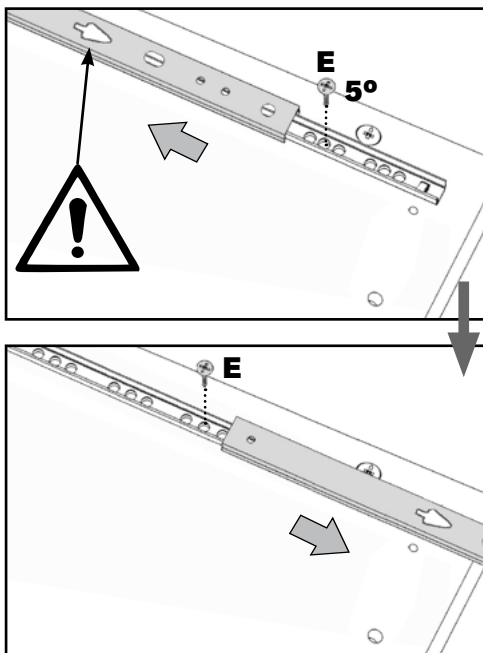
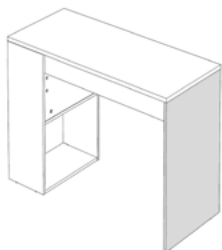


300 mm.

I x 02

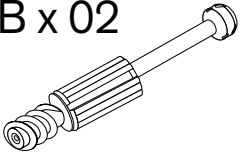


13 mm.

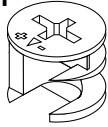


2

B x 02



C x 04

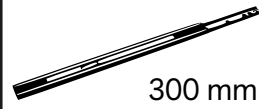


E x 02



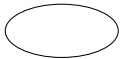
3.5 x 15 mm.

G x 01

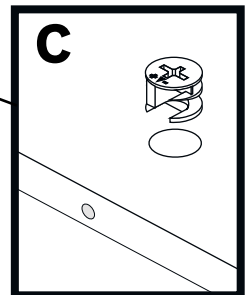
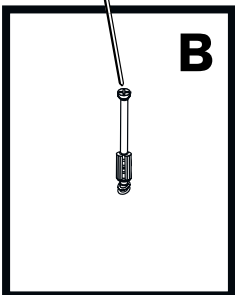
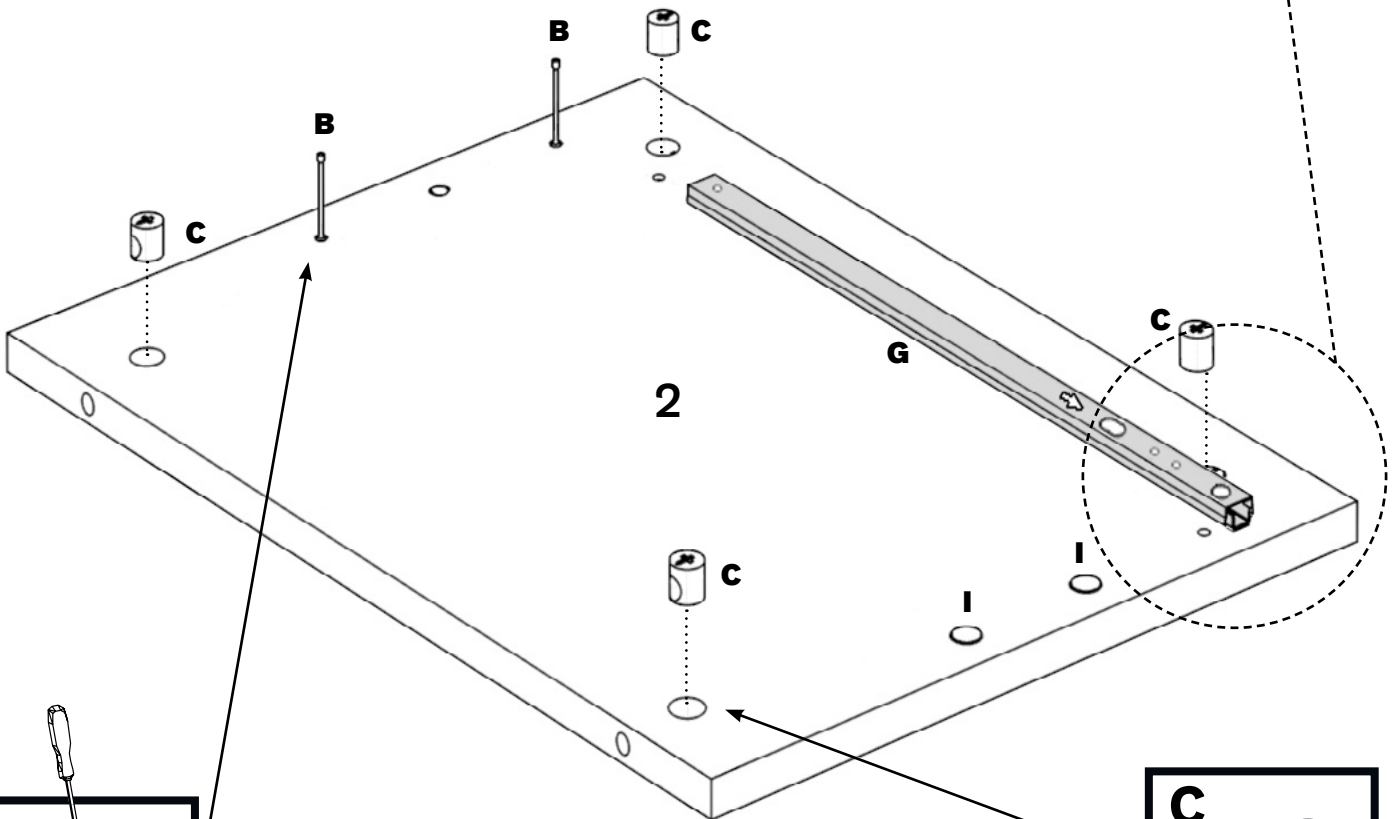
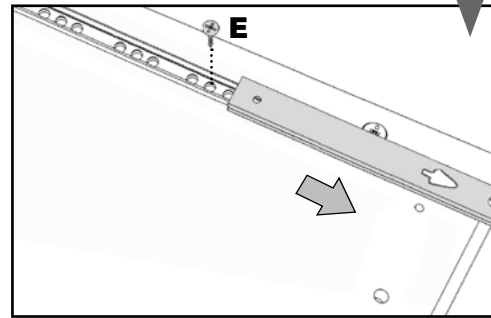
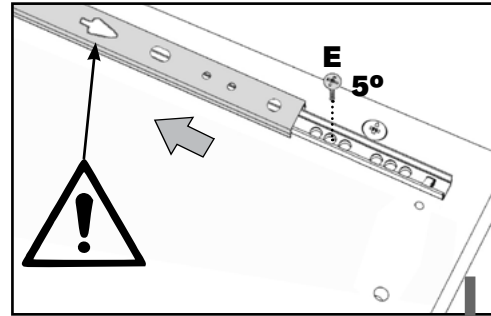
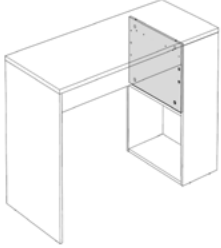


300 mm.

I x 02



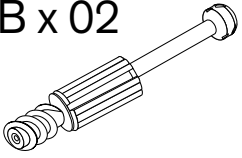
13 mm.



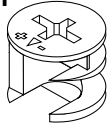


2

B x 02



C x 04



E x 02



3.5 x 15 mm.

G x 01

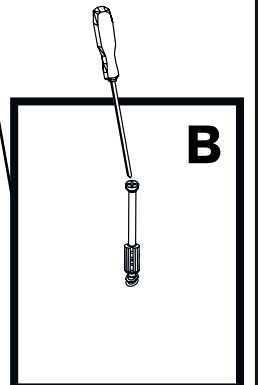
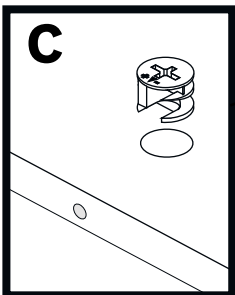
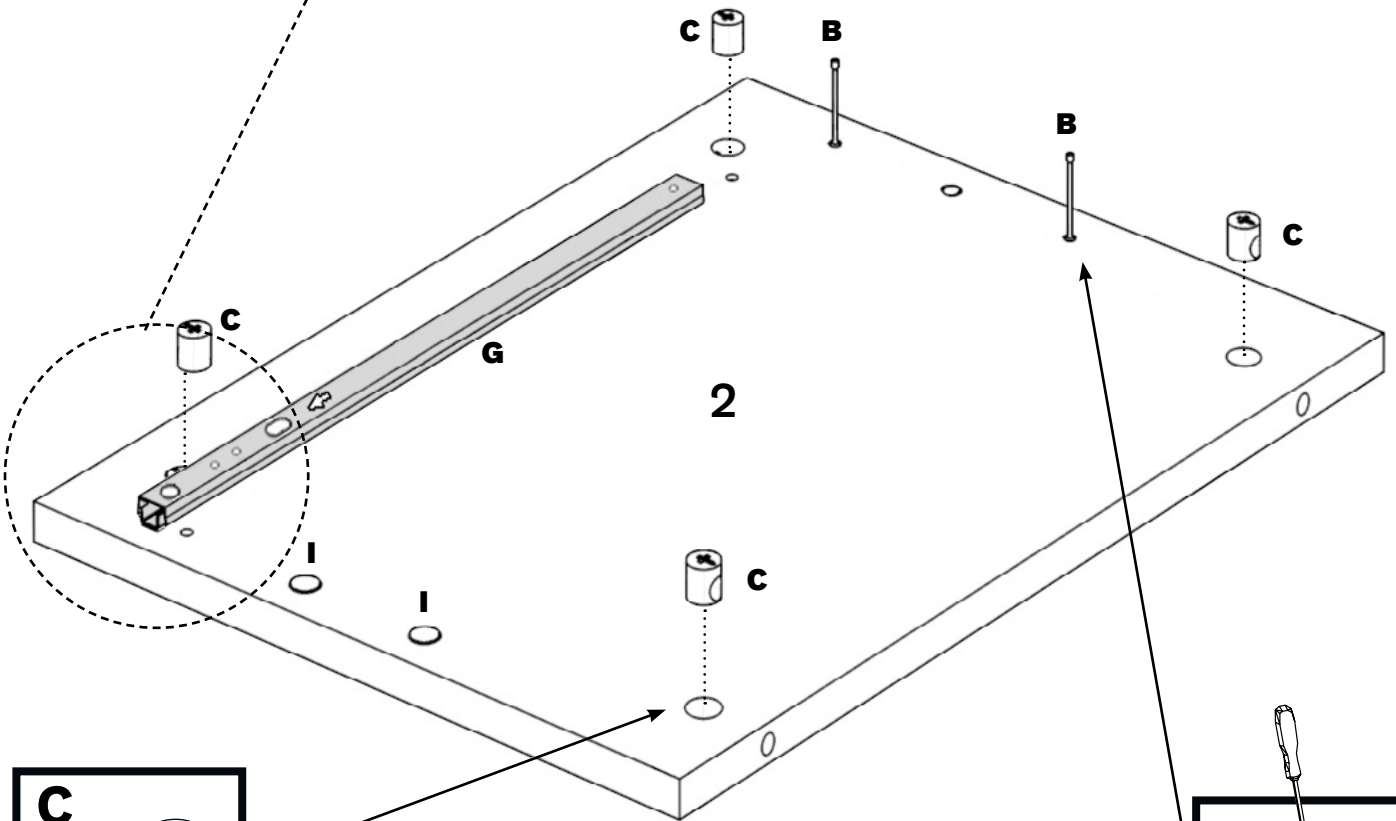
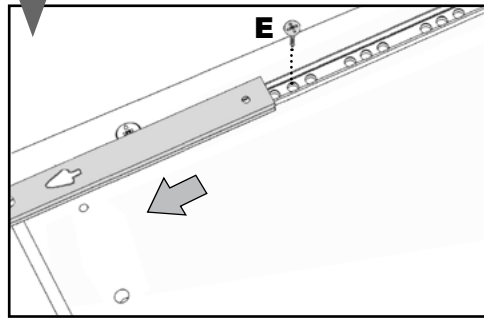
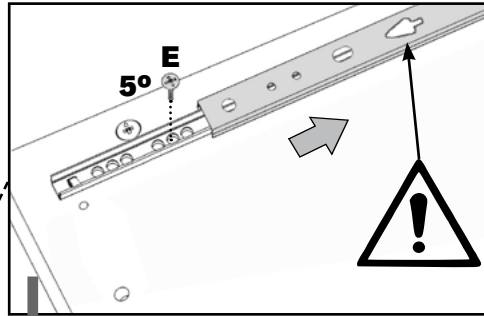
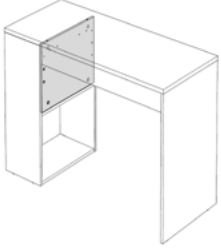


300 mm.

I x 02

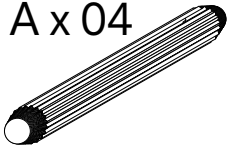


13 mm.

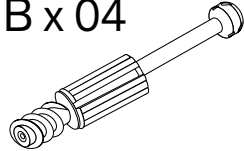


3

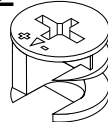
A x 04



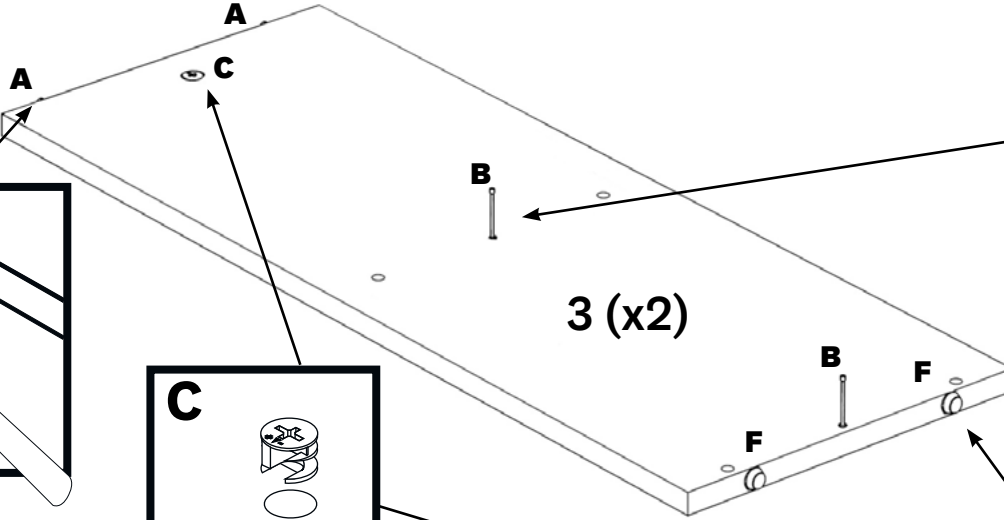
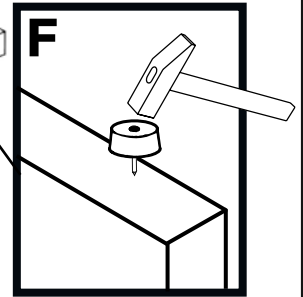
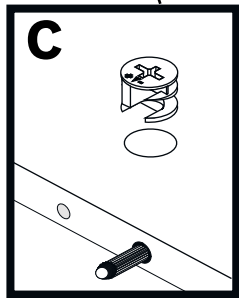
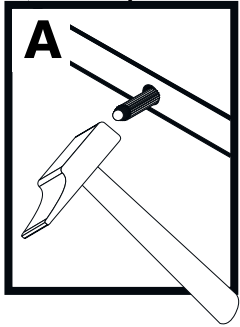
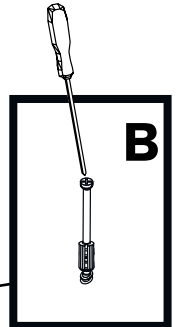
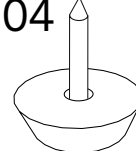
B x 04



C x 02

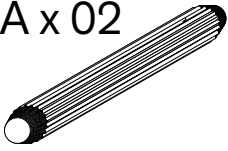


F x 04

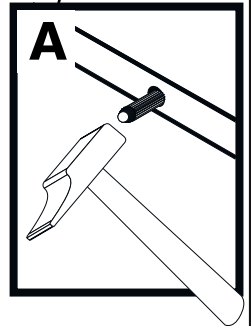
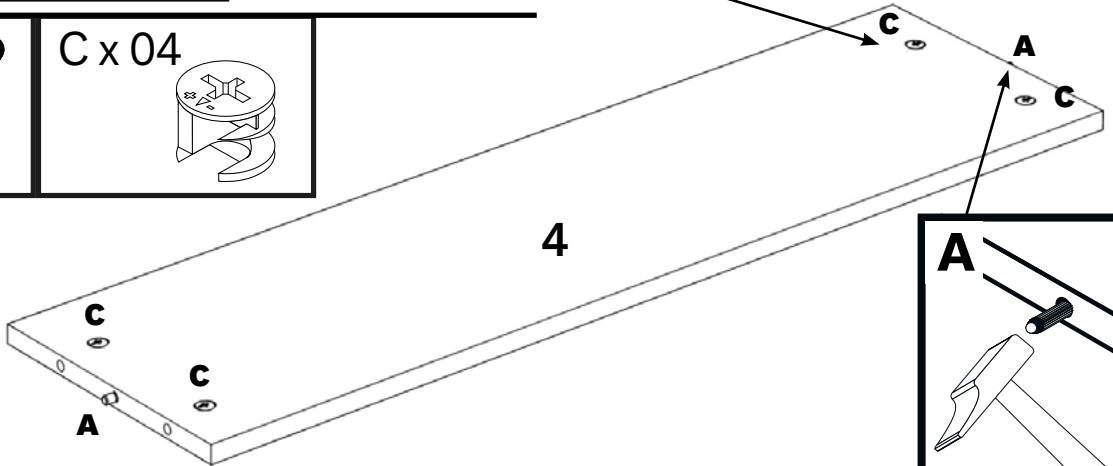
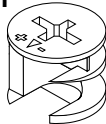


4

A x 02

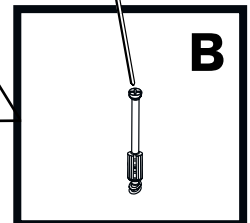
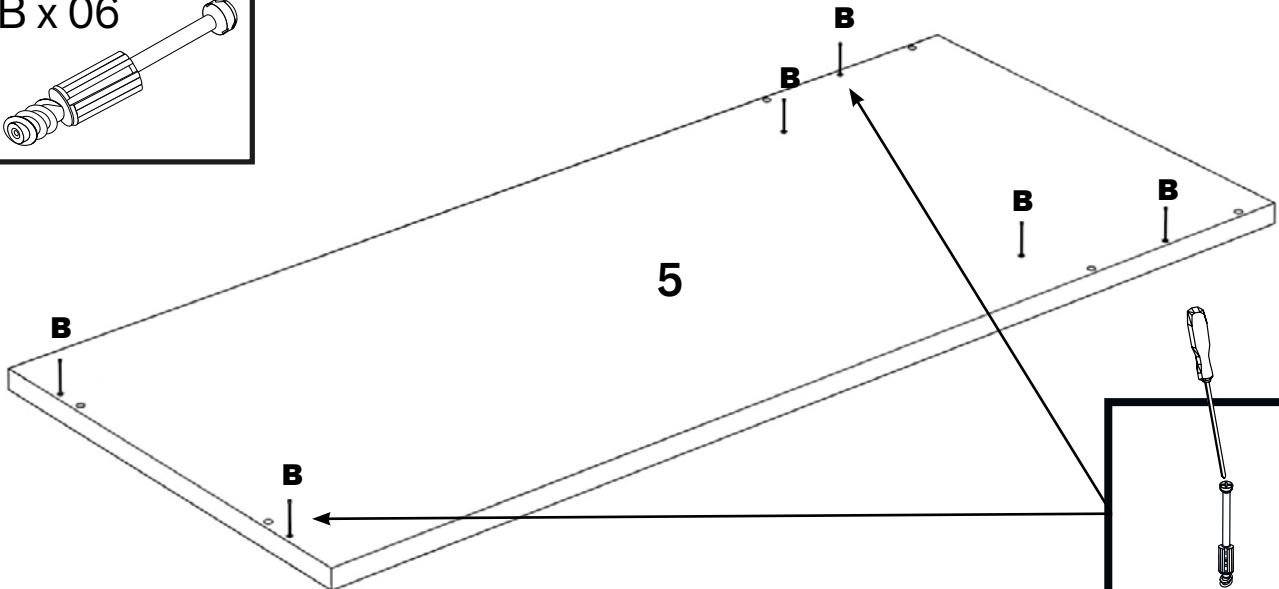
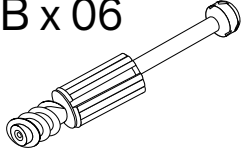


C x 04



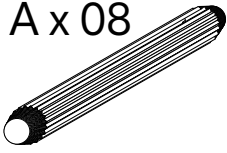
5

B x 06

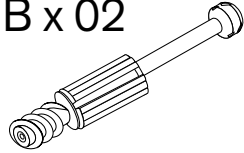


6

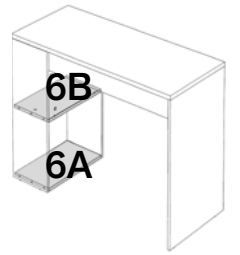
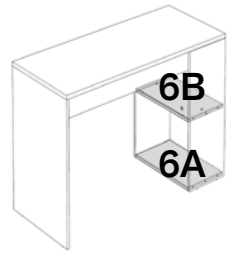
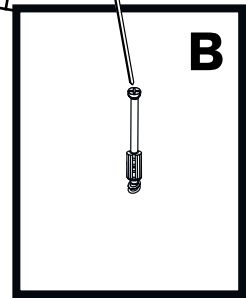
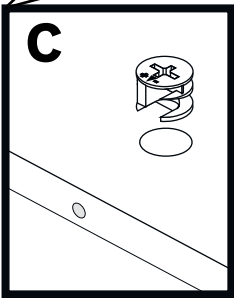
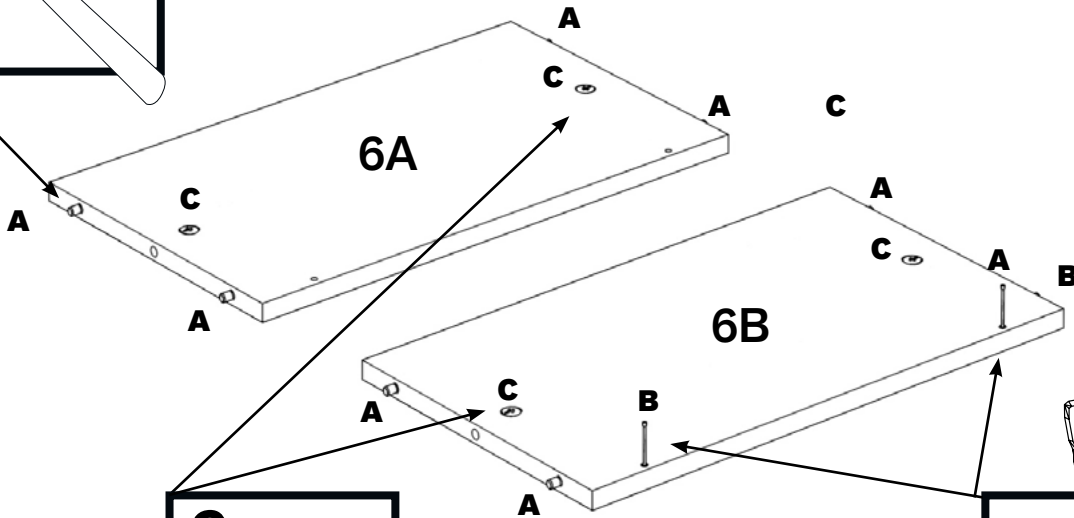
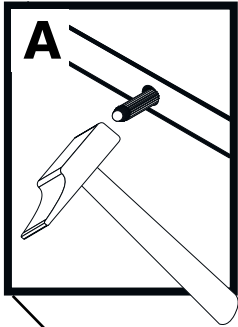
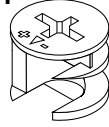
A x 08



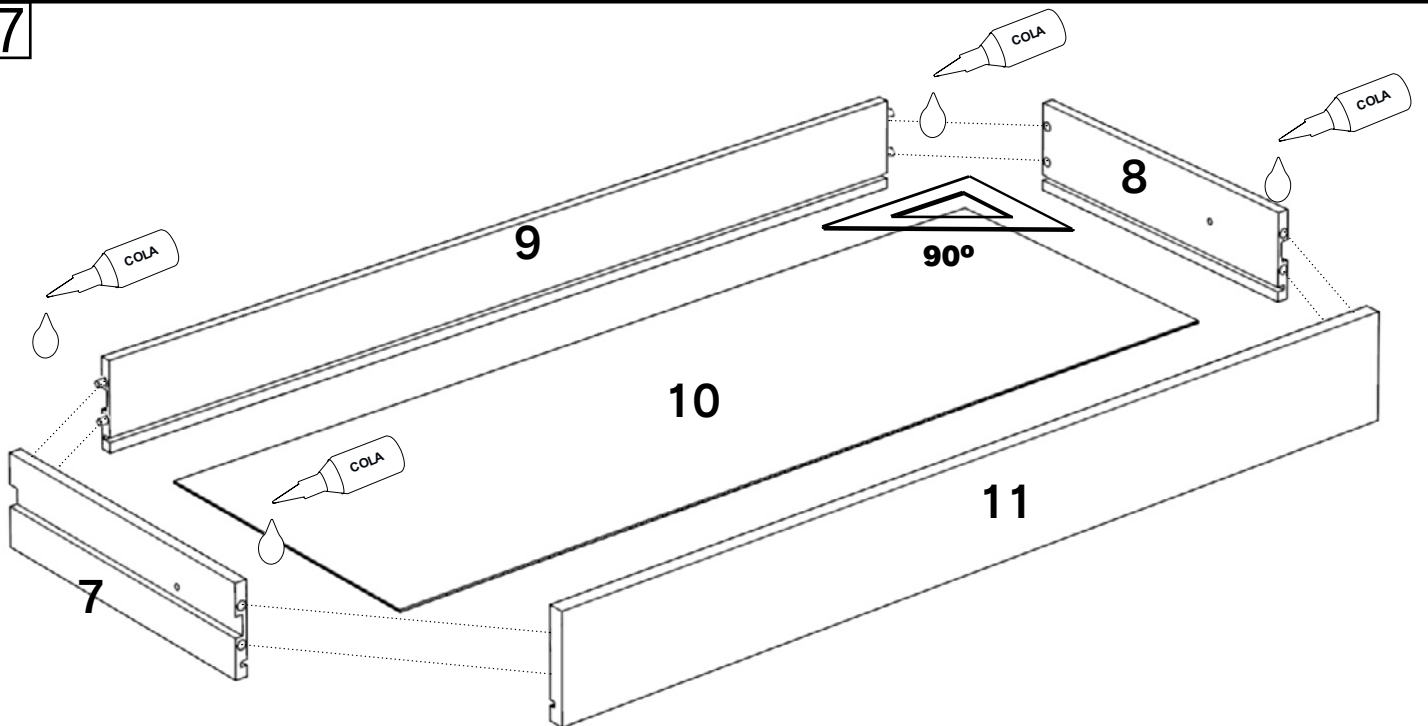
B x 02



C x 04

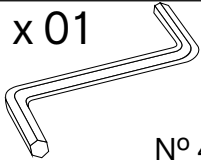


7



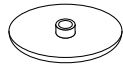
8

H x 01

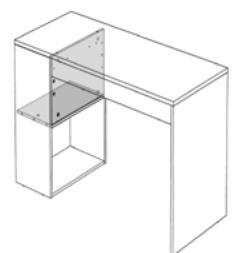
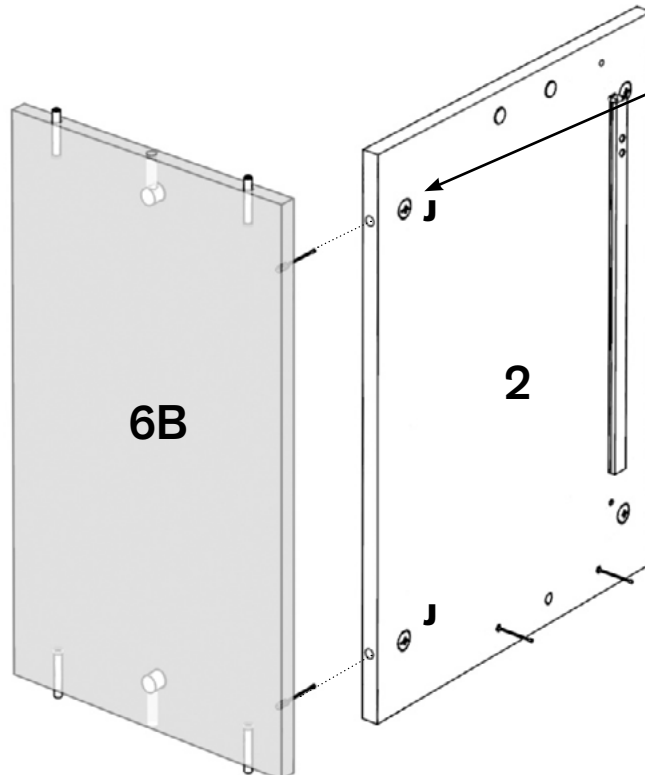
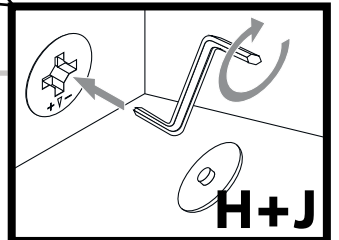
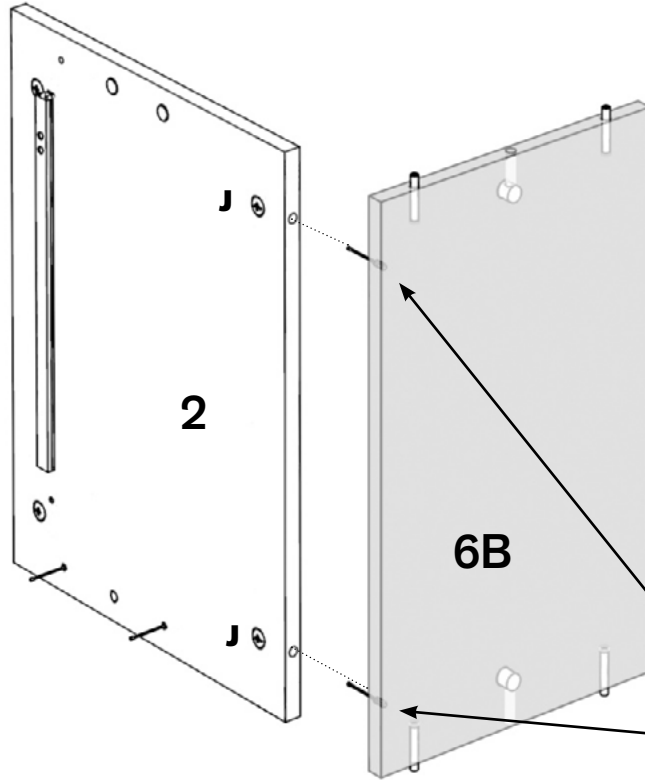
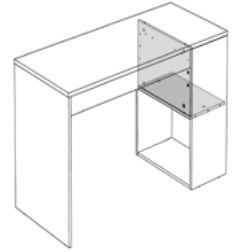


N° 4

J x 02

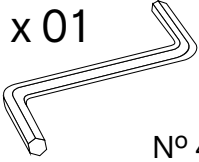


15 mm.



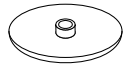
9

H x 01

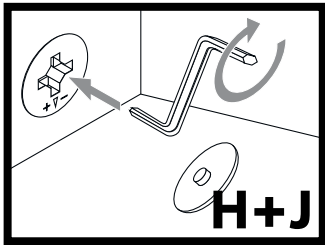
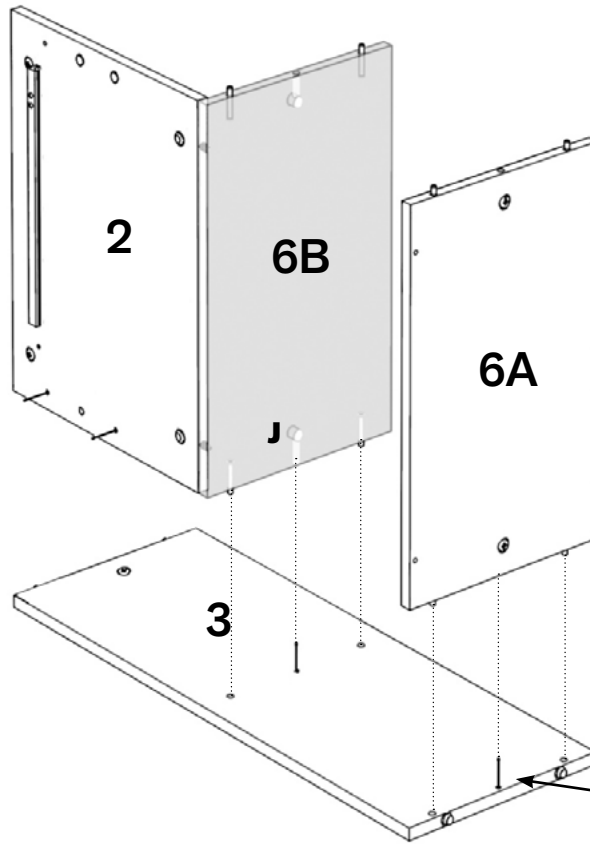
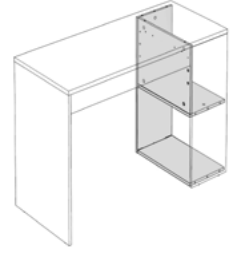


N° 4

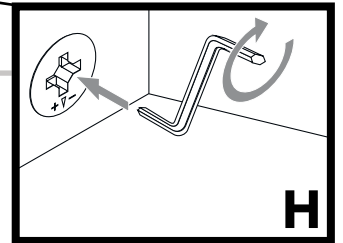
J x 01



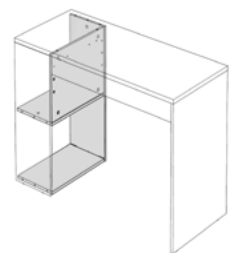
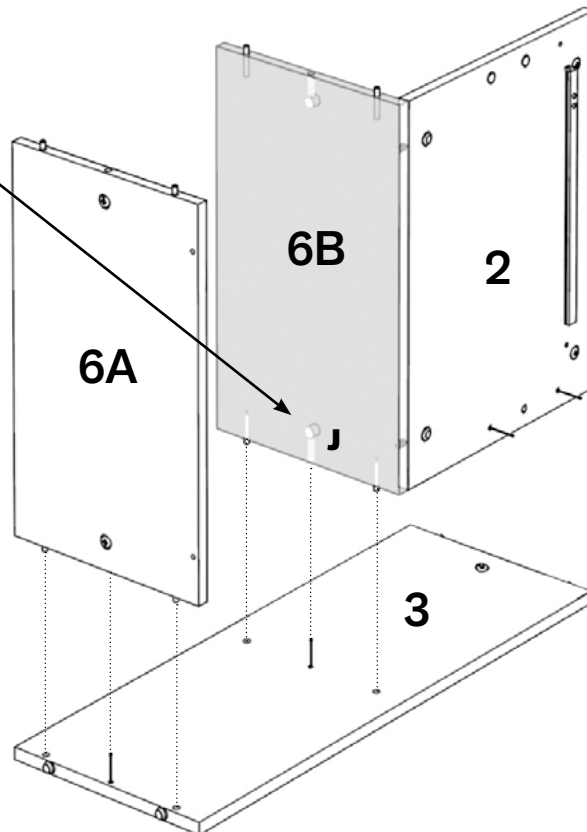
15 mm.



H+J

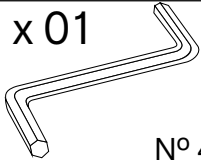


H



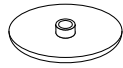
10

H x 01

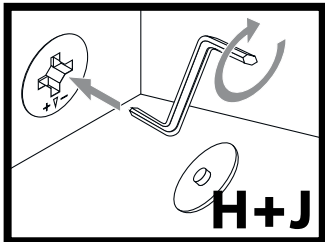
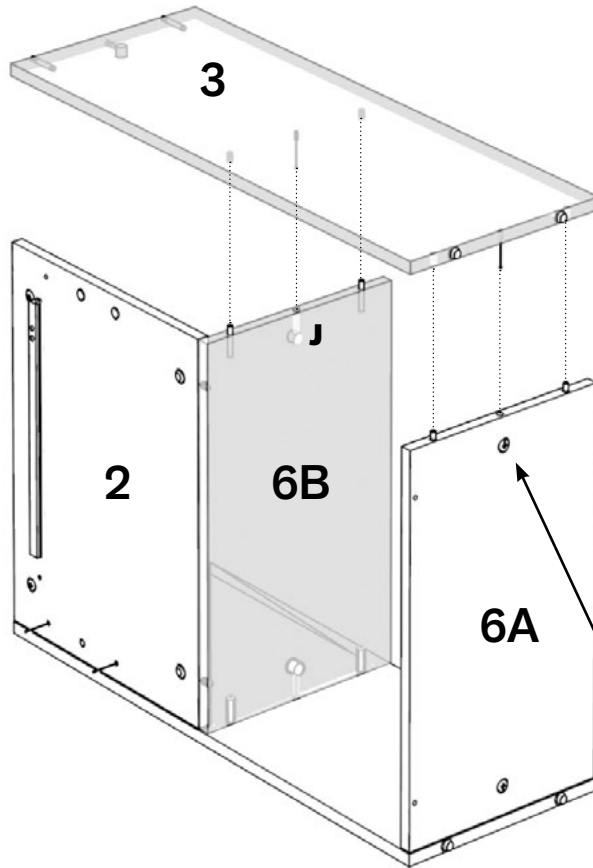
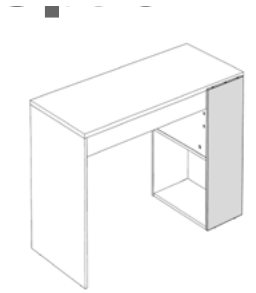


N° 4

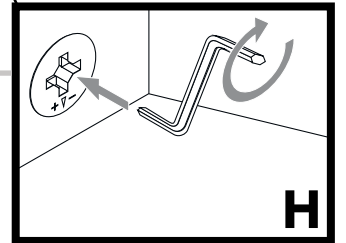
J x 01



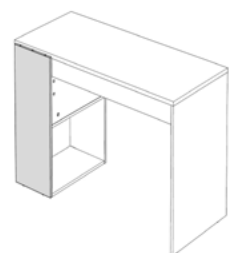
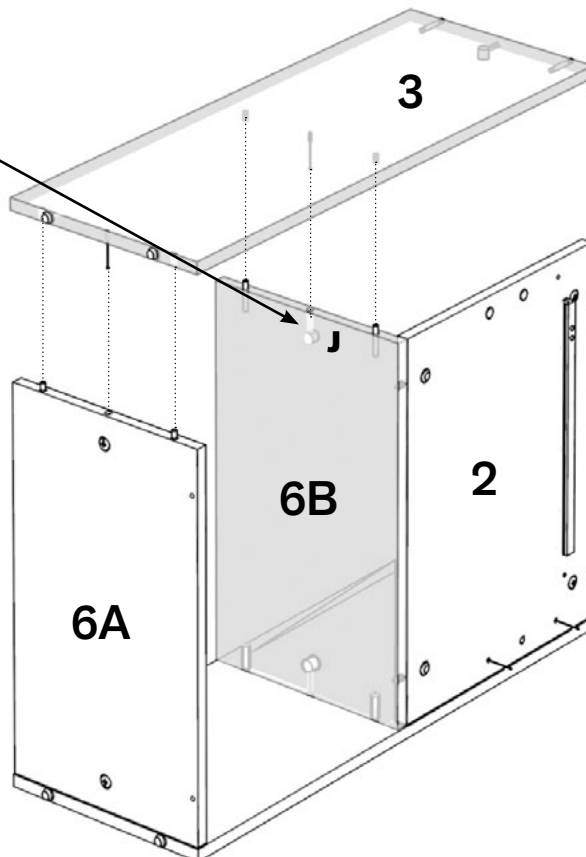
15 mm.



H+J

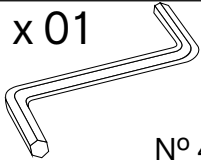


H



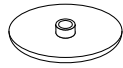
11

H x 01

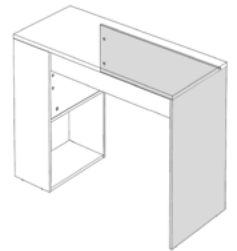
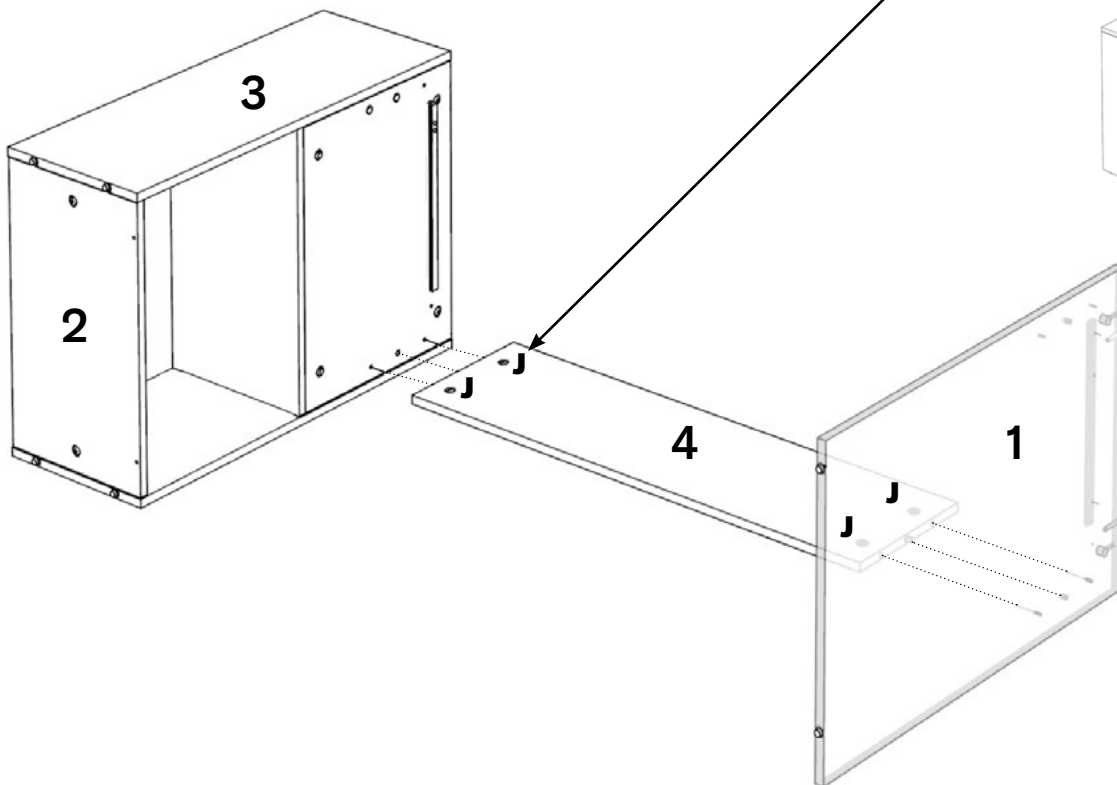
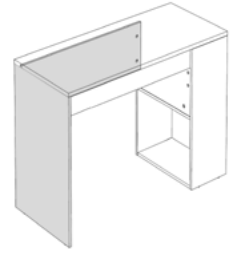
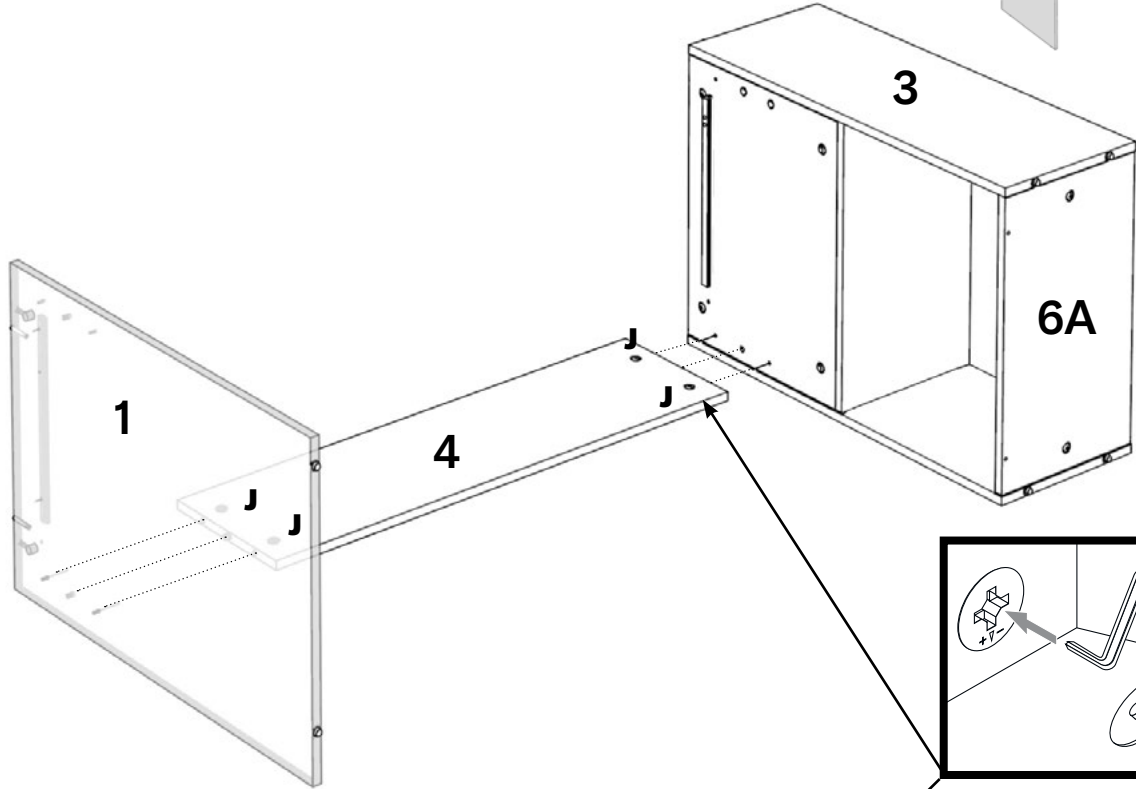


N° 4

J x 04

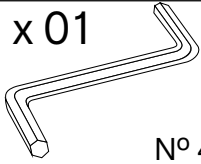


15 mm.



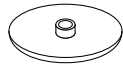
12

H x 01

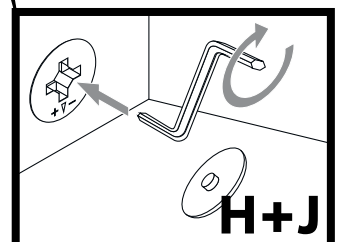
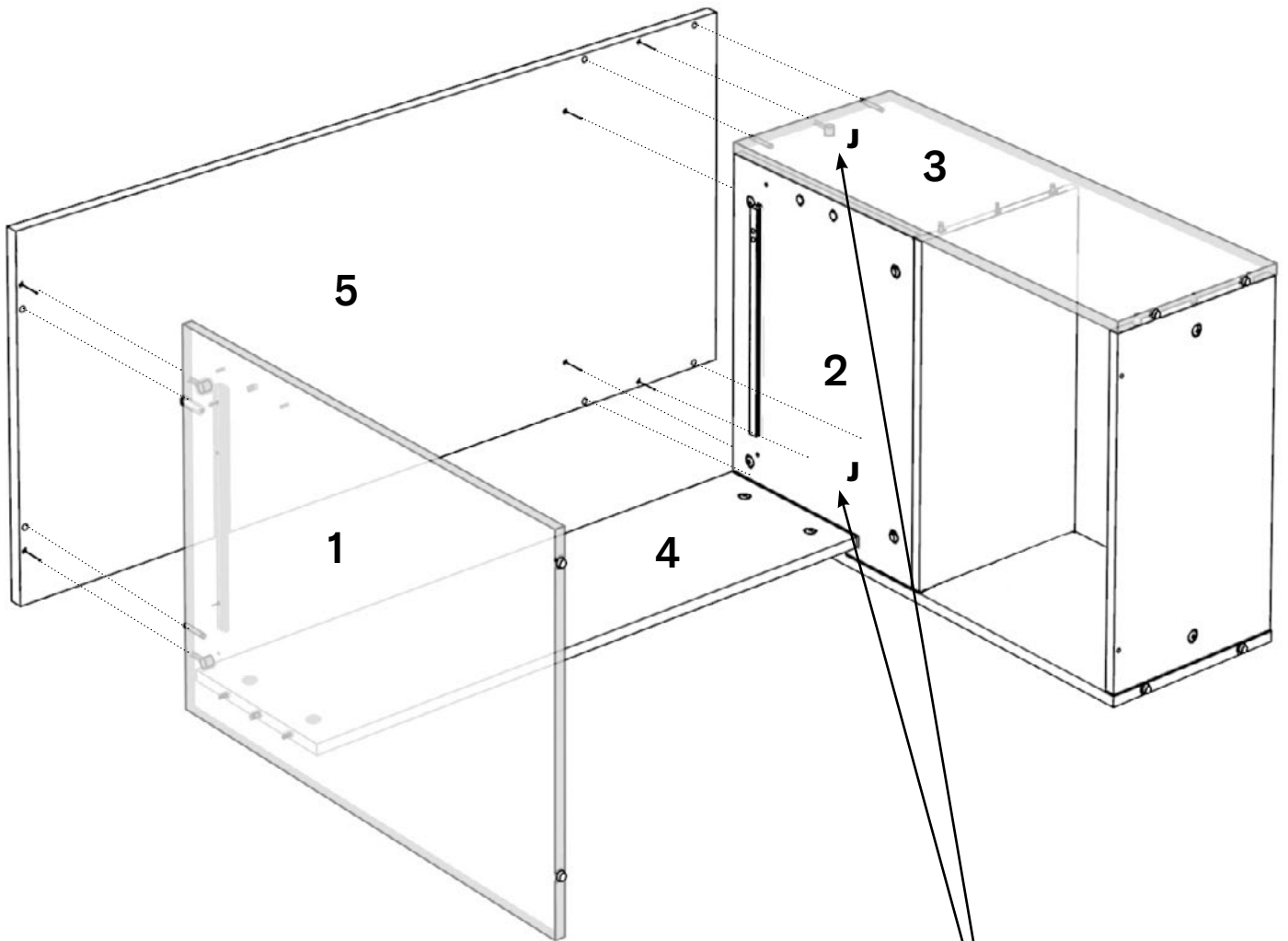
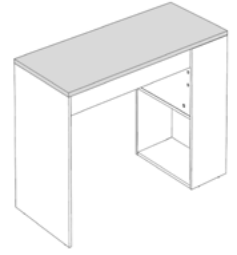


N° 4

J x 02



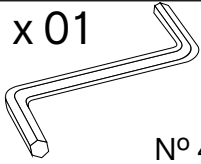
15 mm.





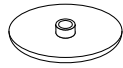
12

H x 01

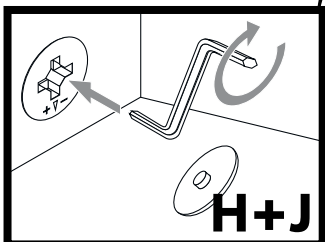
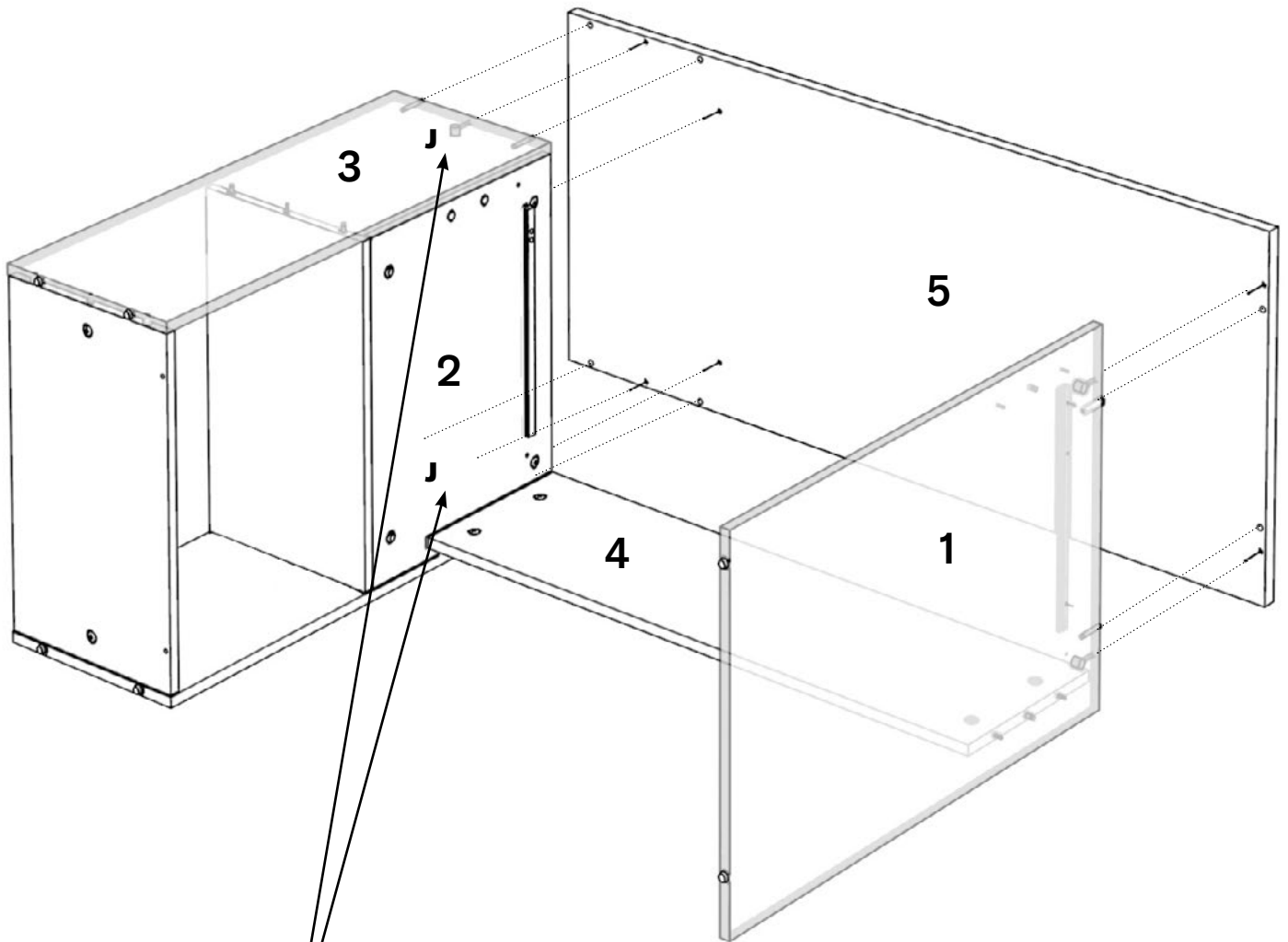
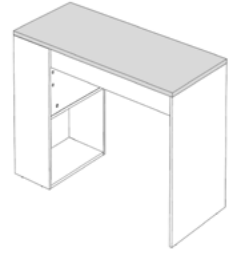


N° 4

J x 02



15 mm.



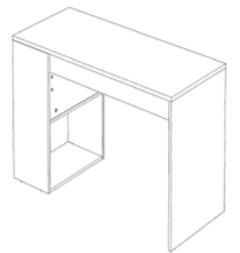
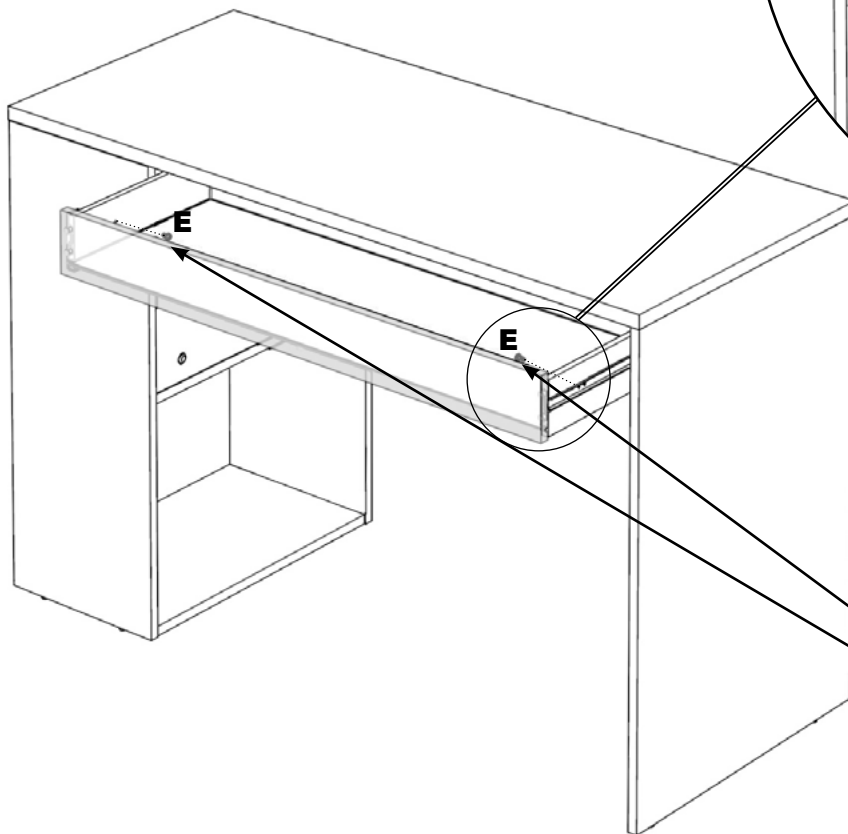
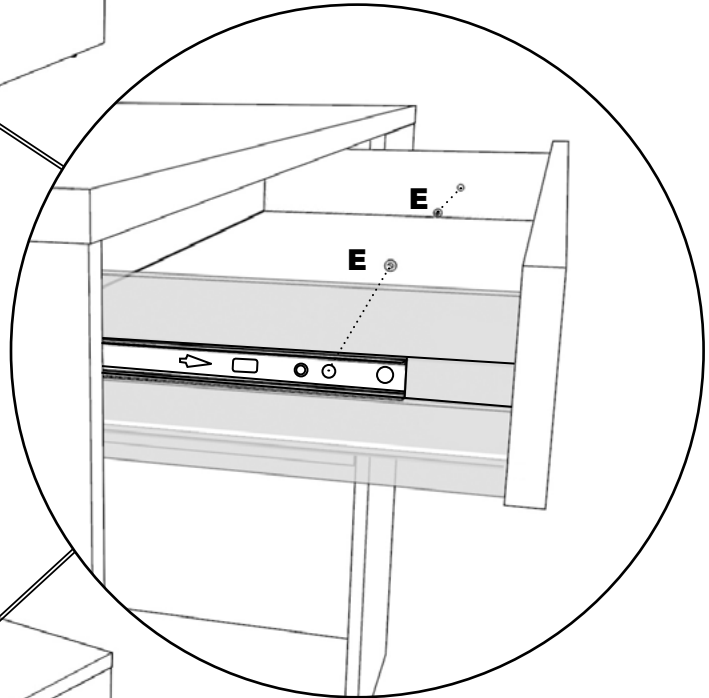
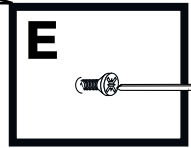
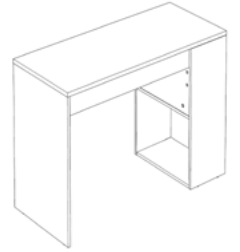
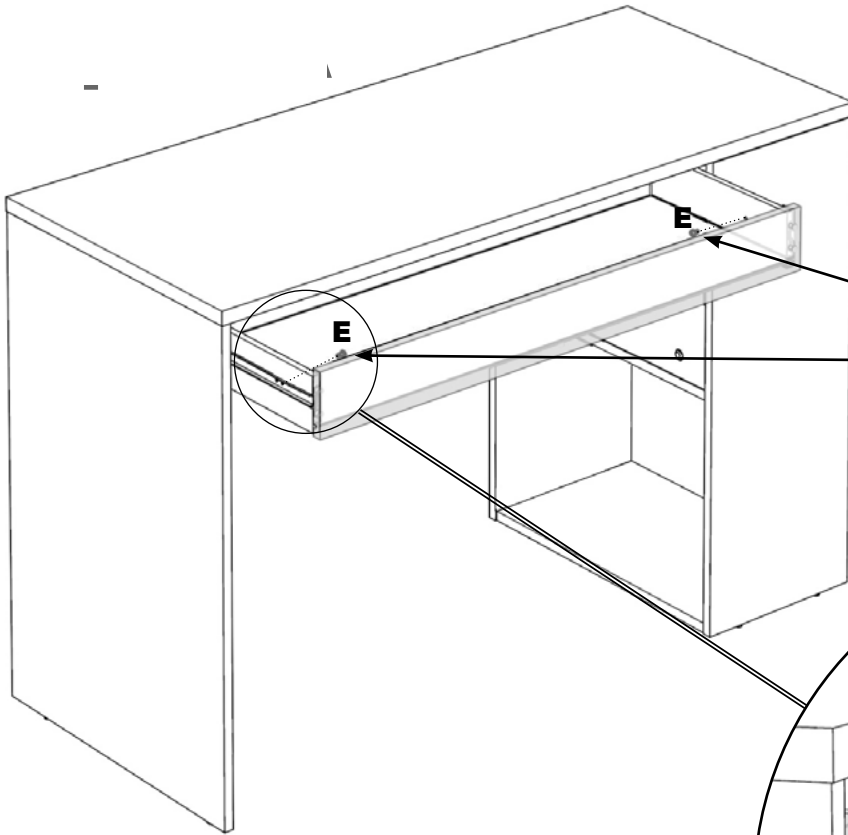
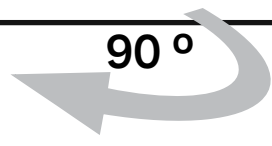
13

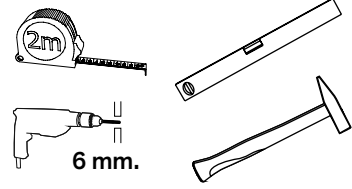
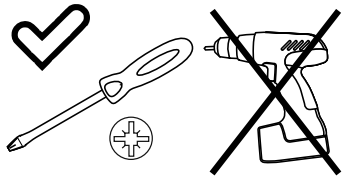
E x 02



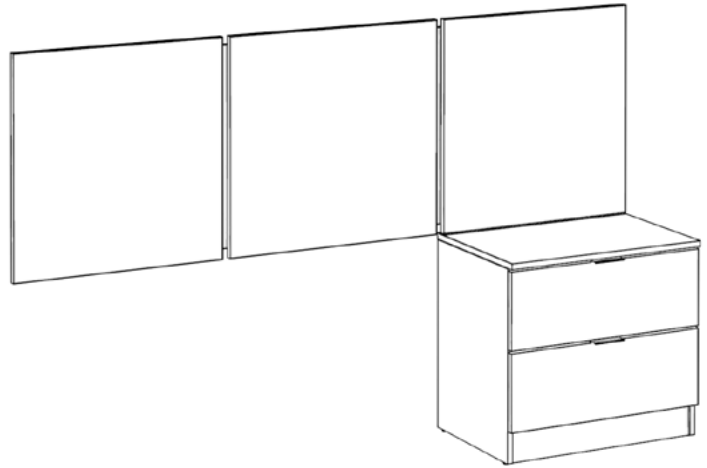
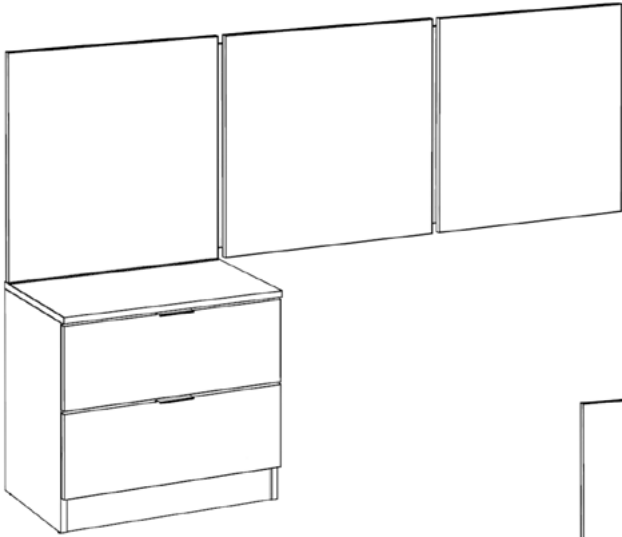
M4 x 8 mm.

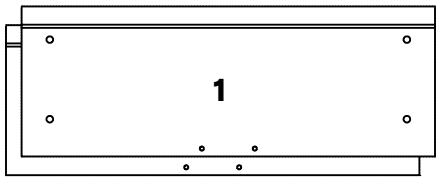
90°



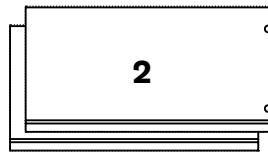


2 h.





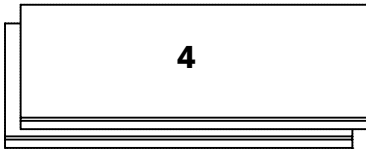
500 x 179 mm.



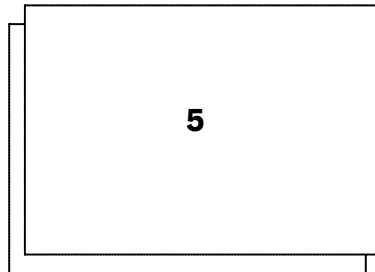
300 x 150 mm.



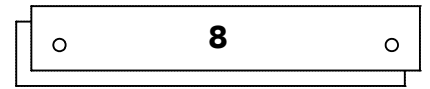
300 x 150 mm.



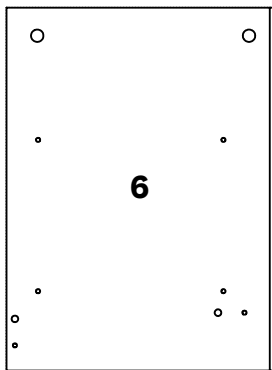
420 x 150 mm.



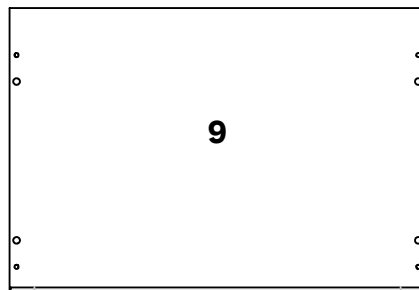
431 x 301 mm.



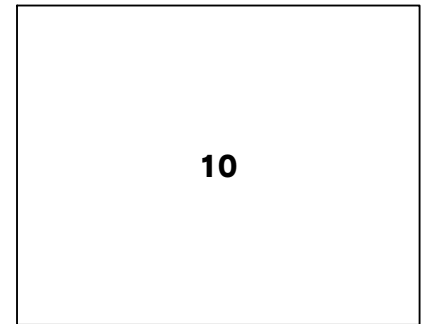
470 x 77 mm.



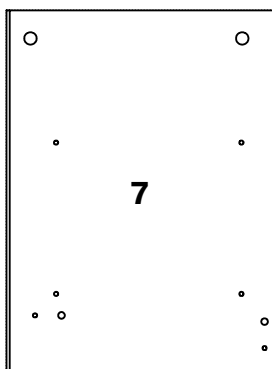
439 x 322 mm.



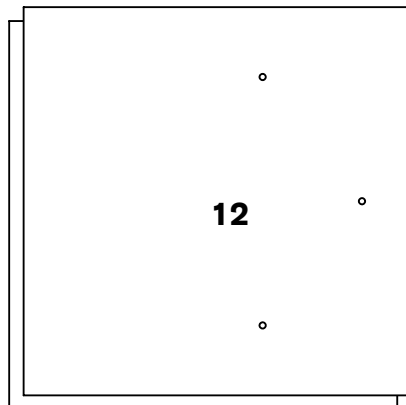
503 x 342 mm.



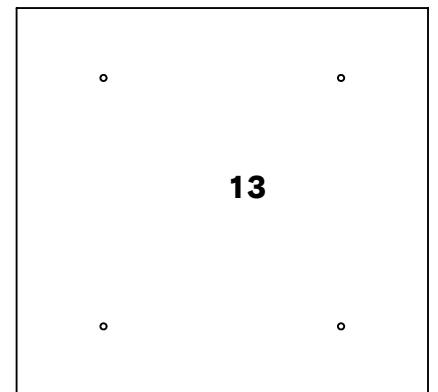
487 x 386 mm.



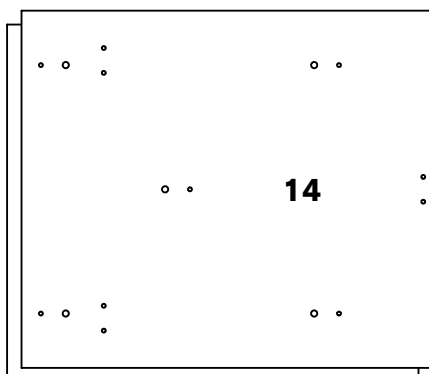
439 x 322 mm.



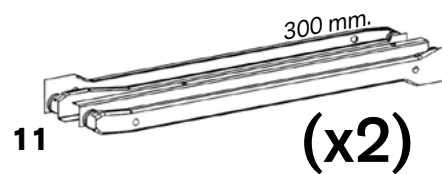
500 x 500 mm.



530 x 500 mm.



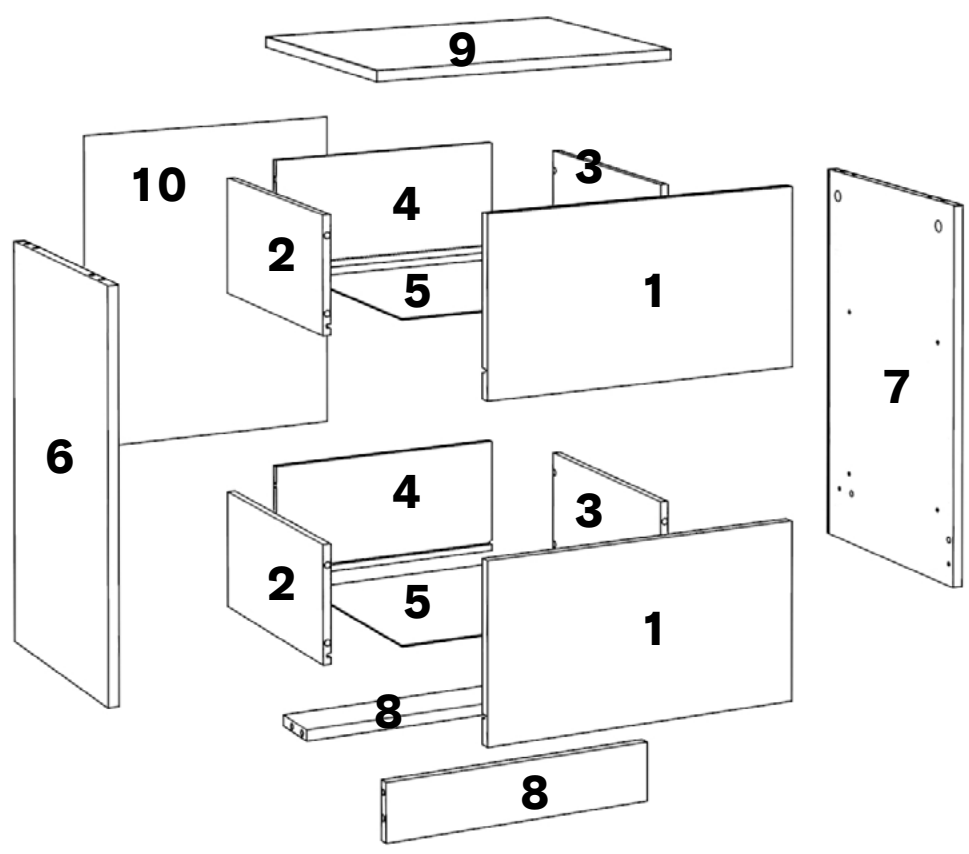
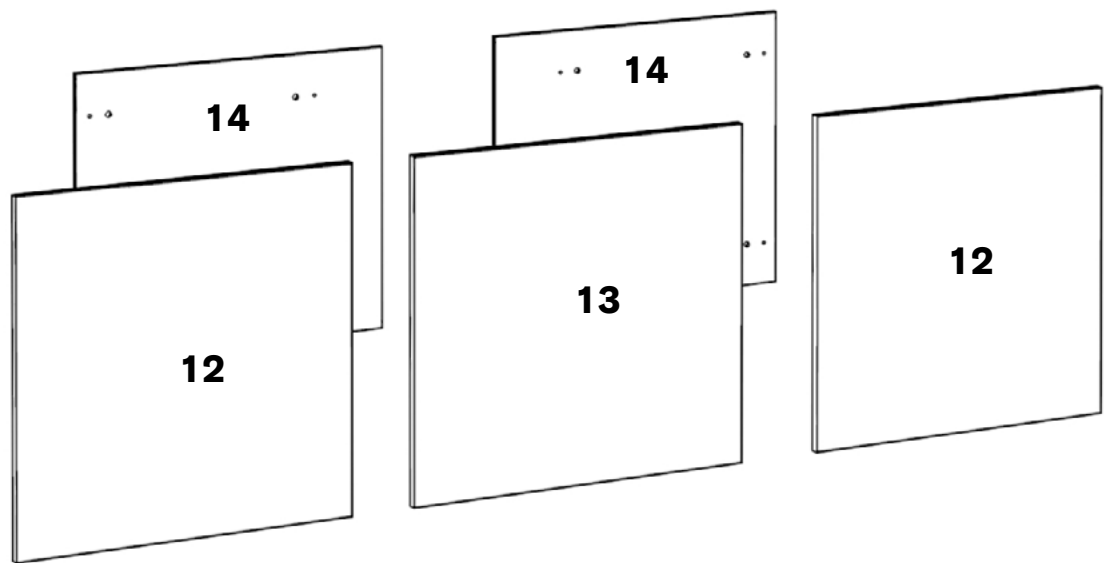
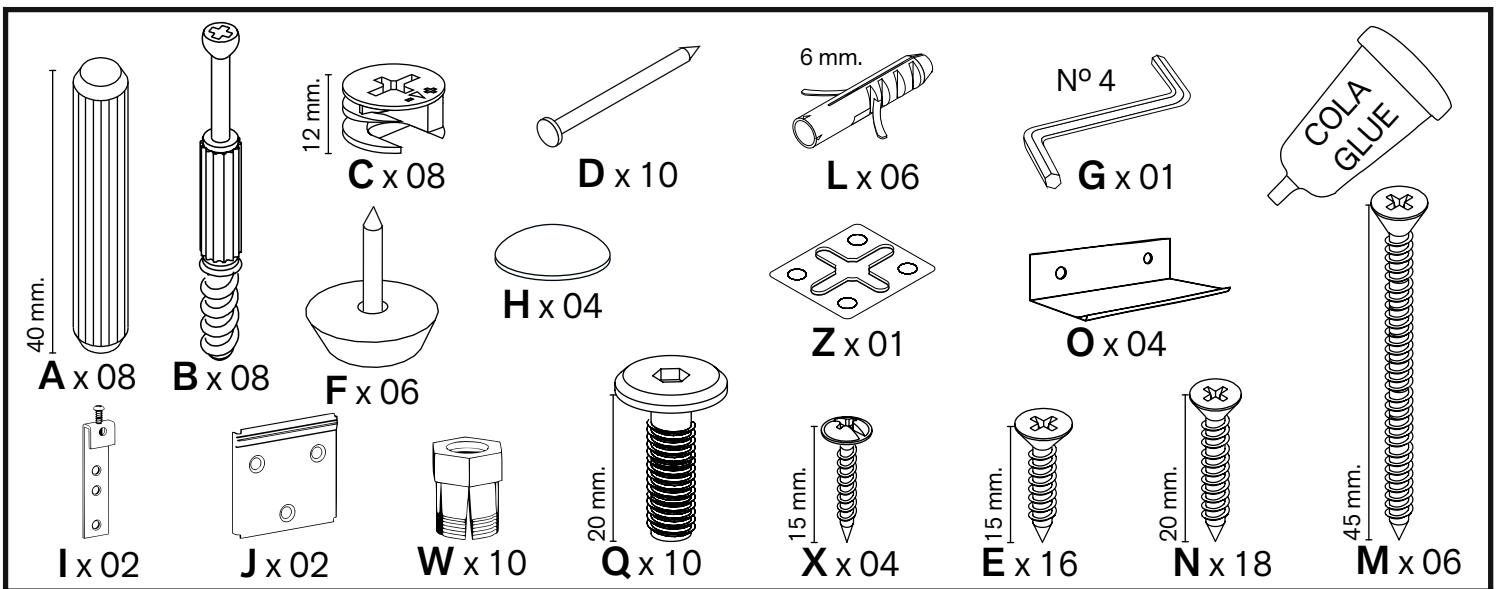
530 x 460 mm.



11

300 mm.

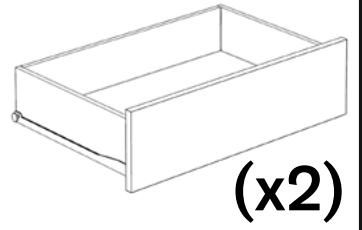
(x2)



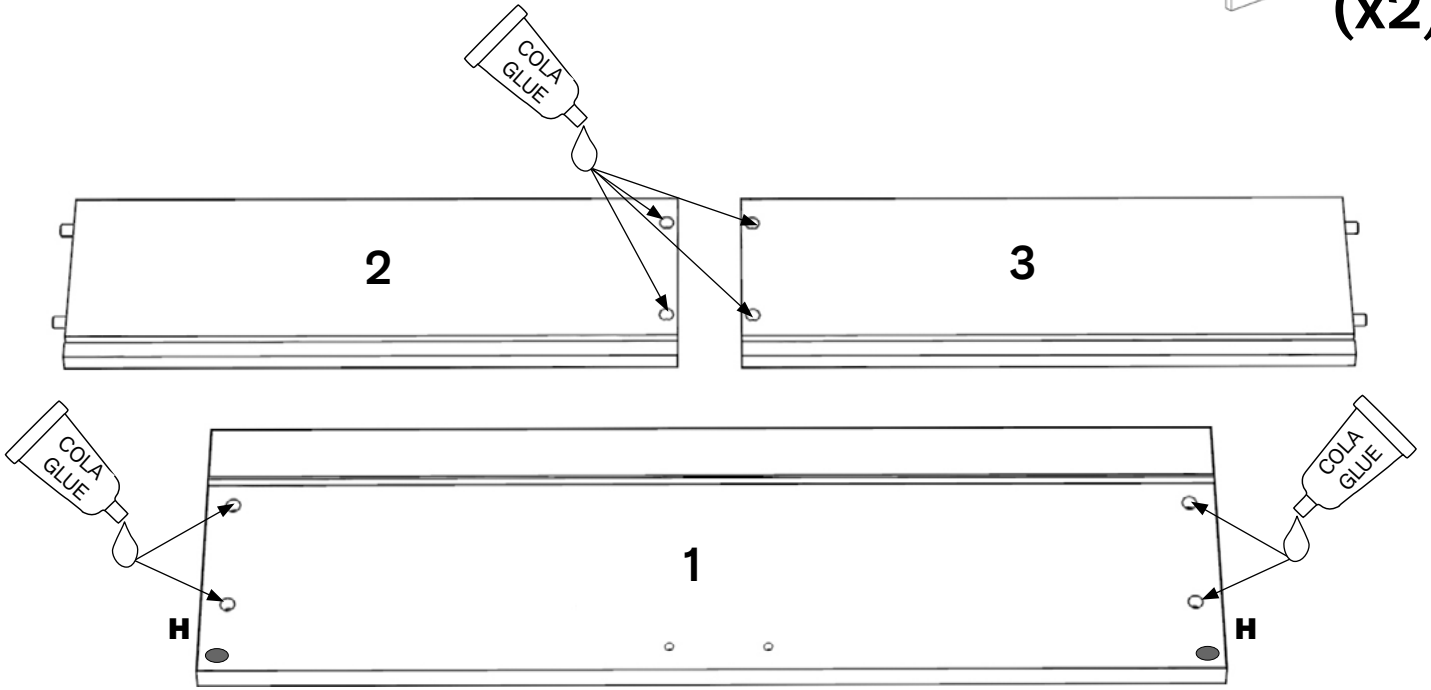
1



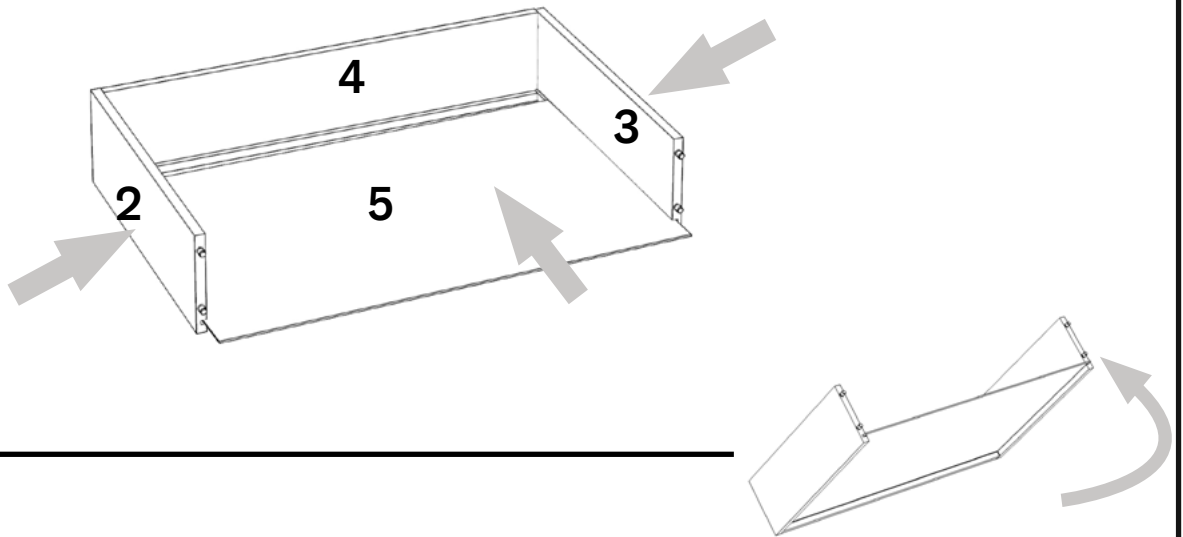
H x 04



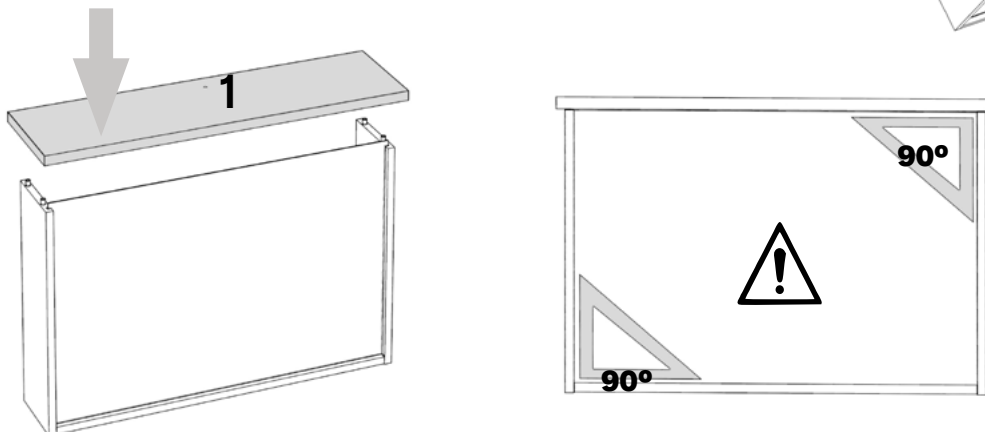
(x2)



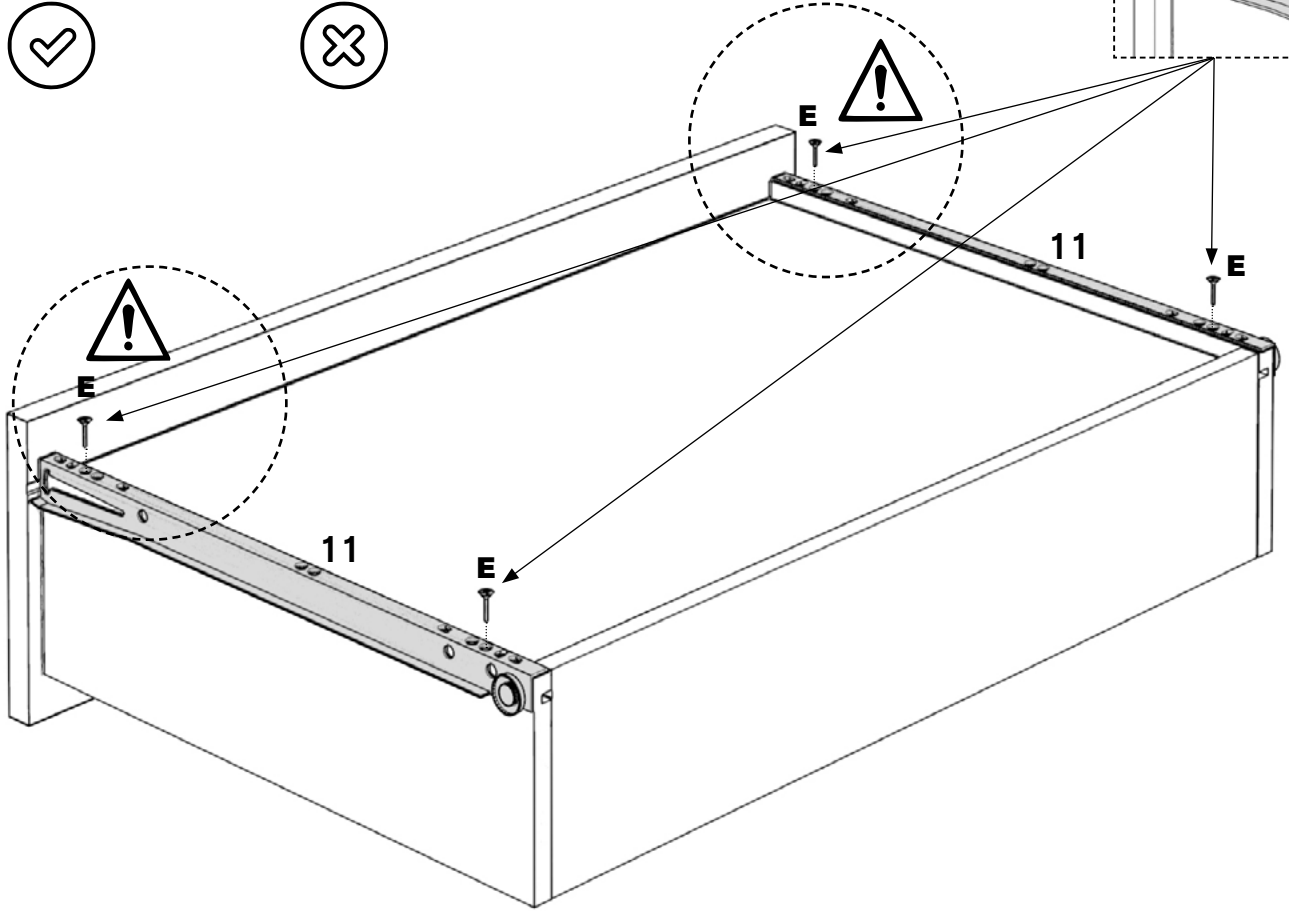
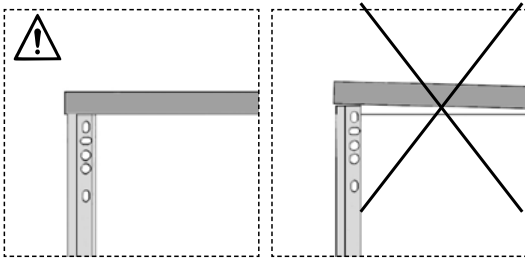
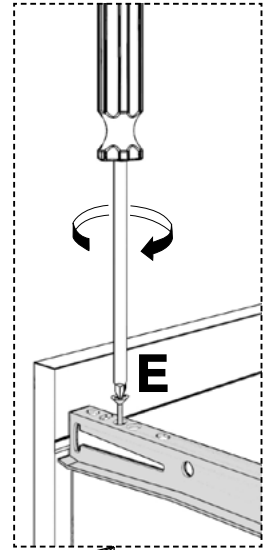
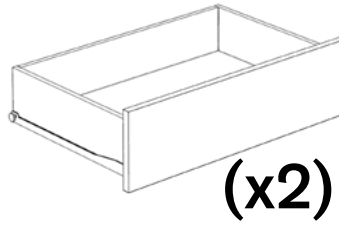
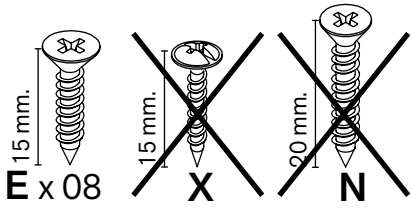
2



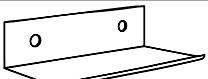
3



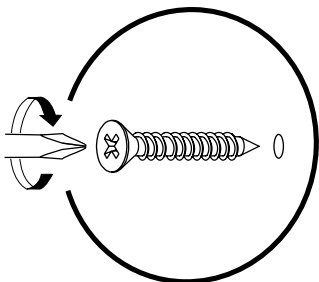
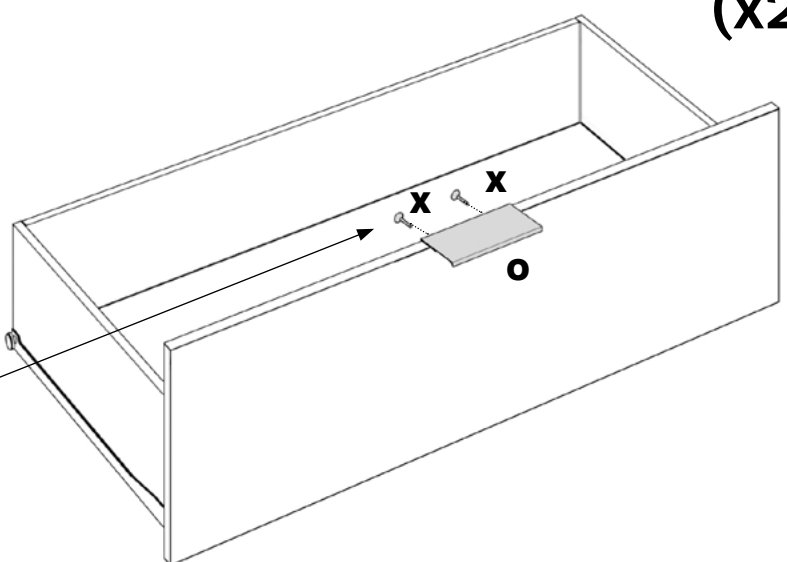
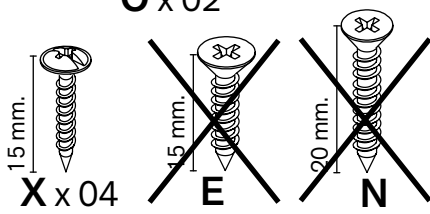
4



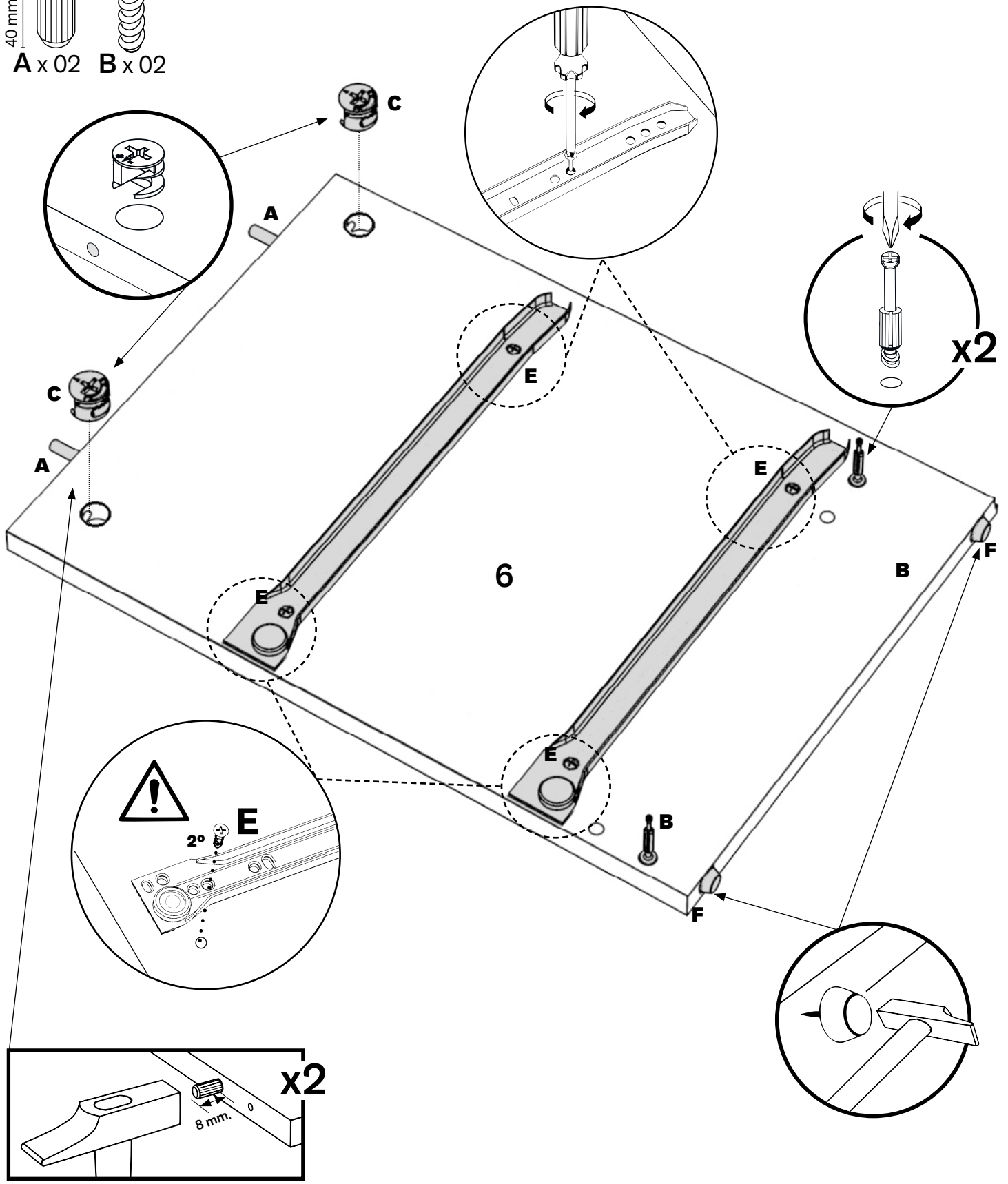
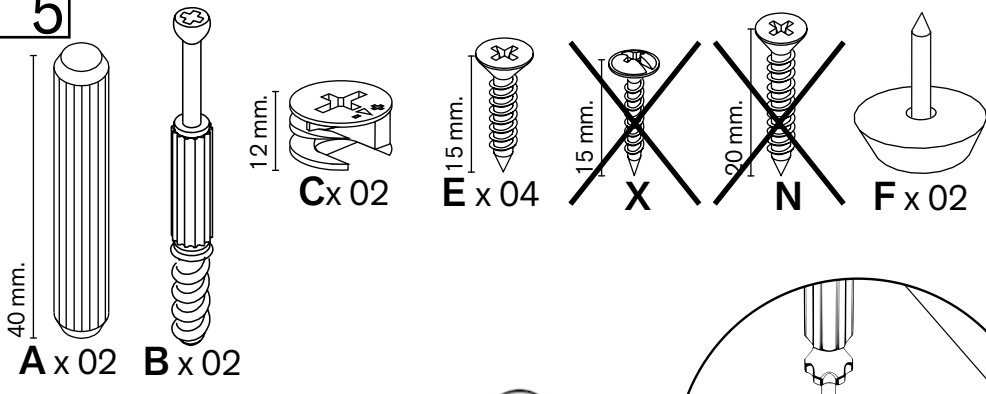
5



(x2)

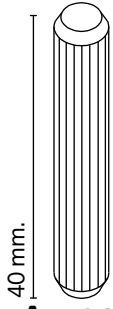


5

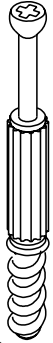




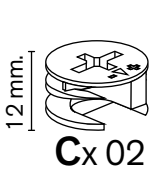
6



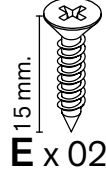
A x 02



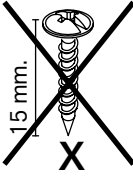
B x 02



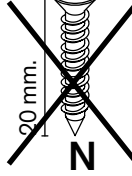
C x 02



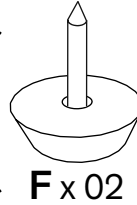
E x 02



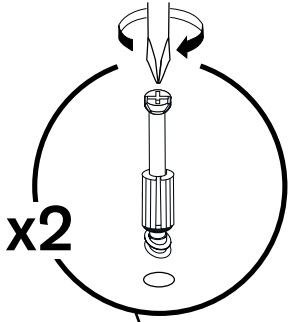
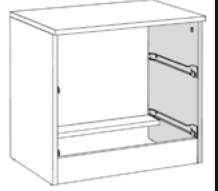
X



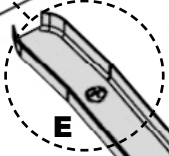
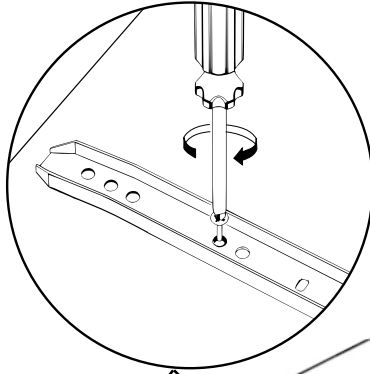
N



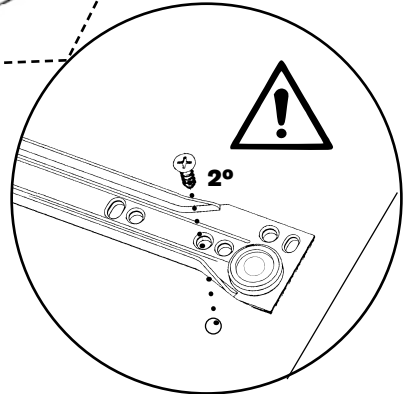
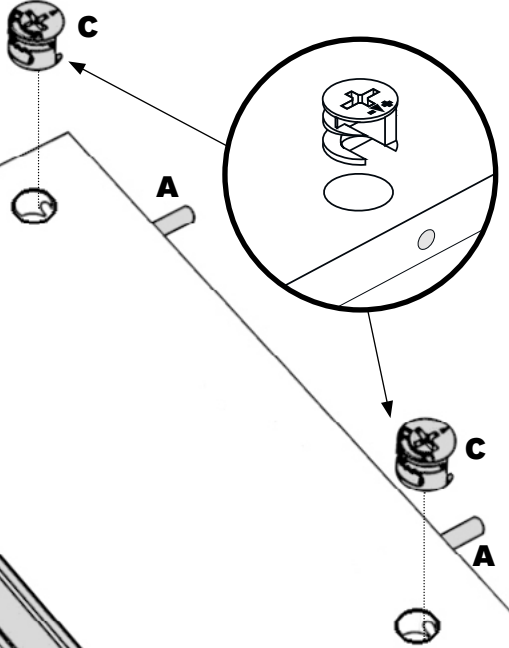
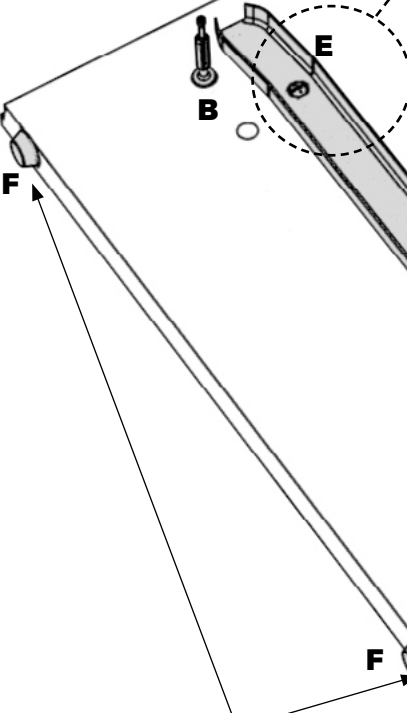
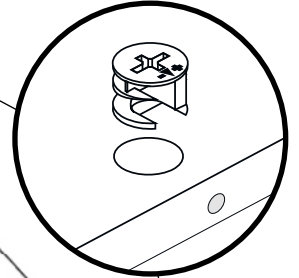
F x 02



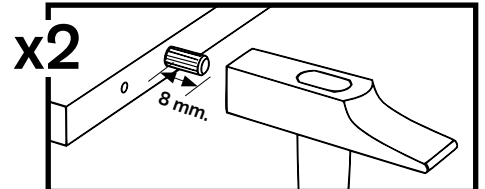
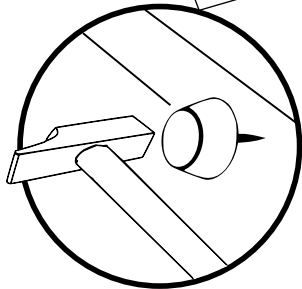
x2



7



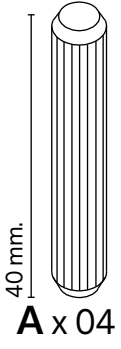
2°



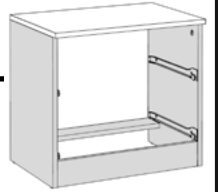
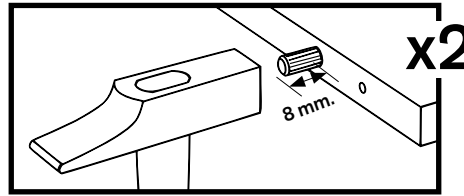
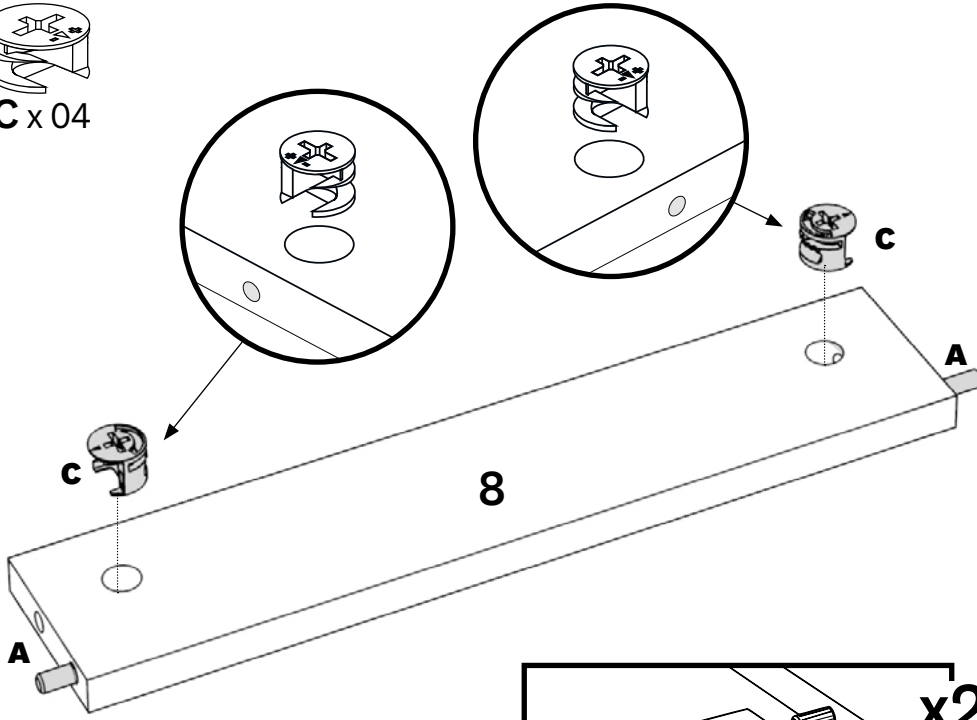
x2

8 mm.

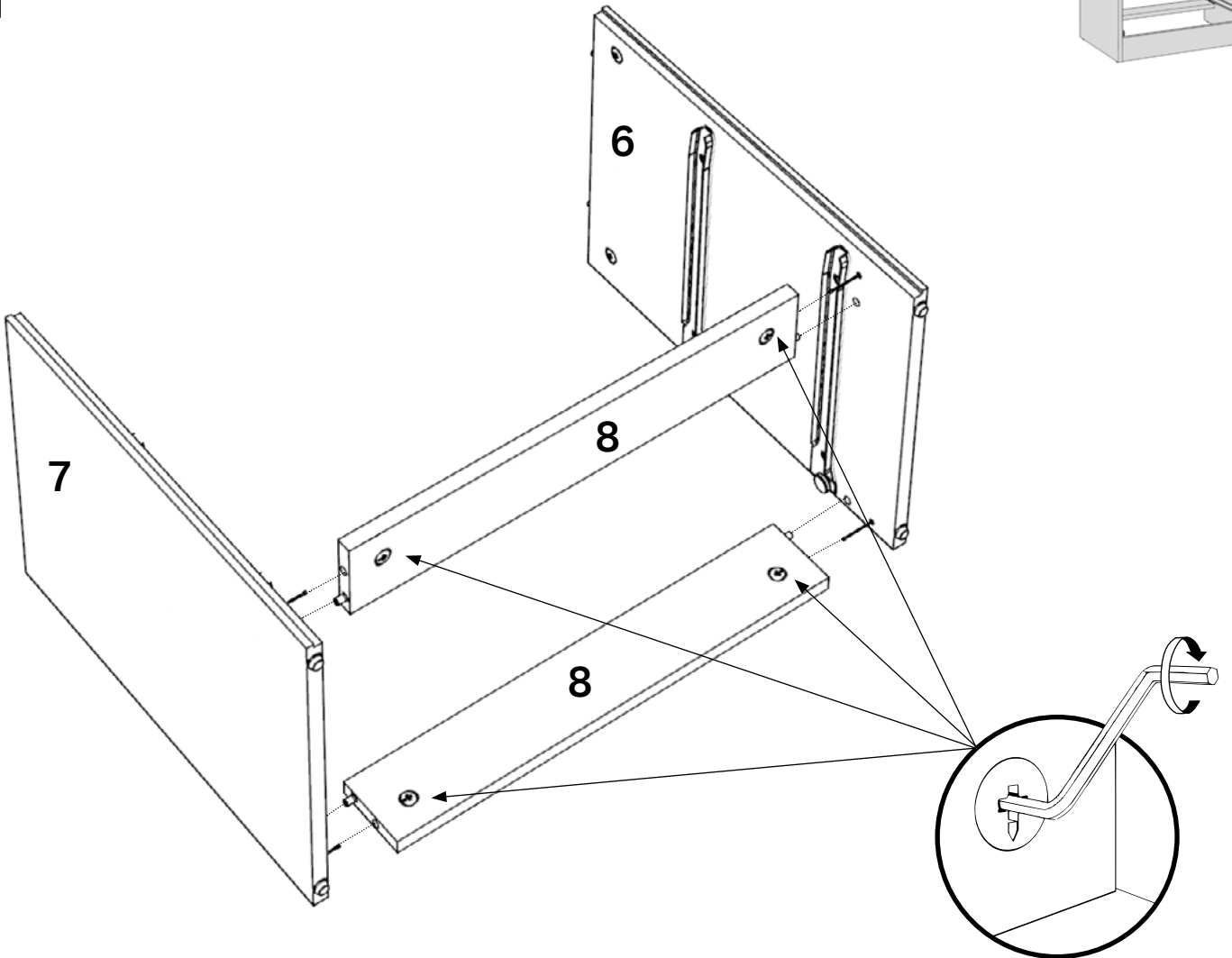
7



(x2)



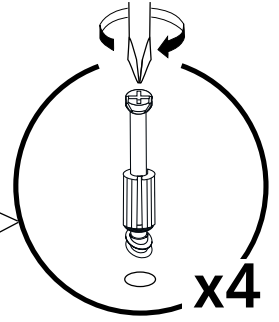
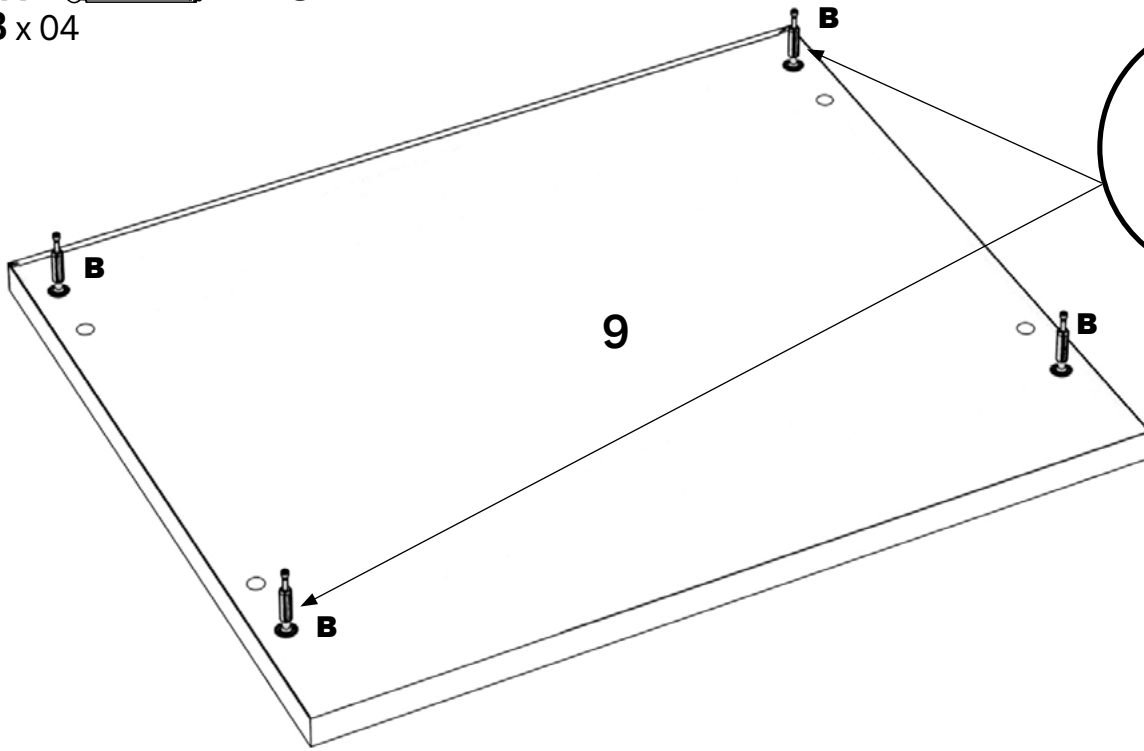
8



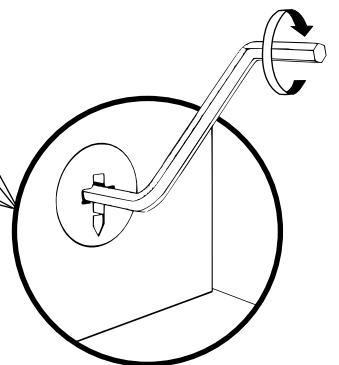
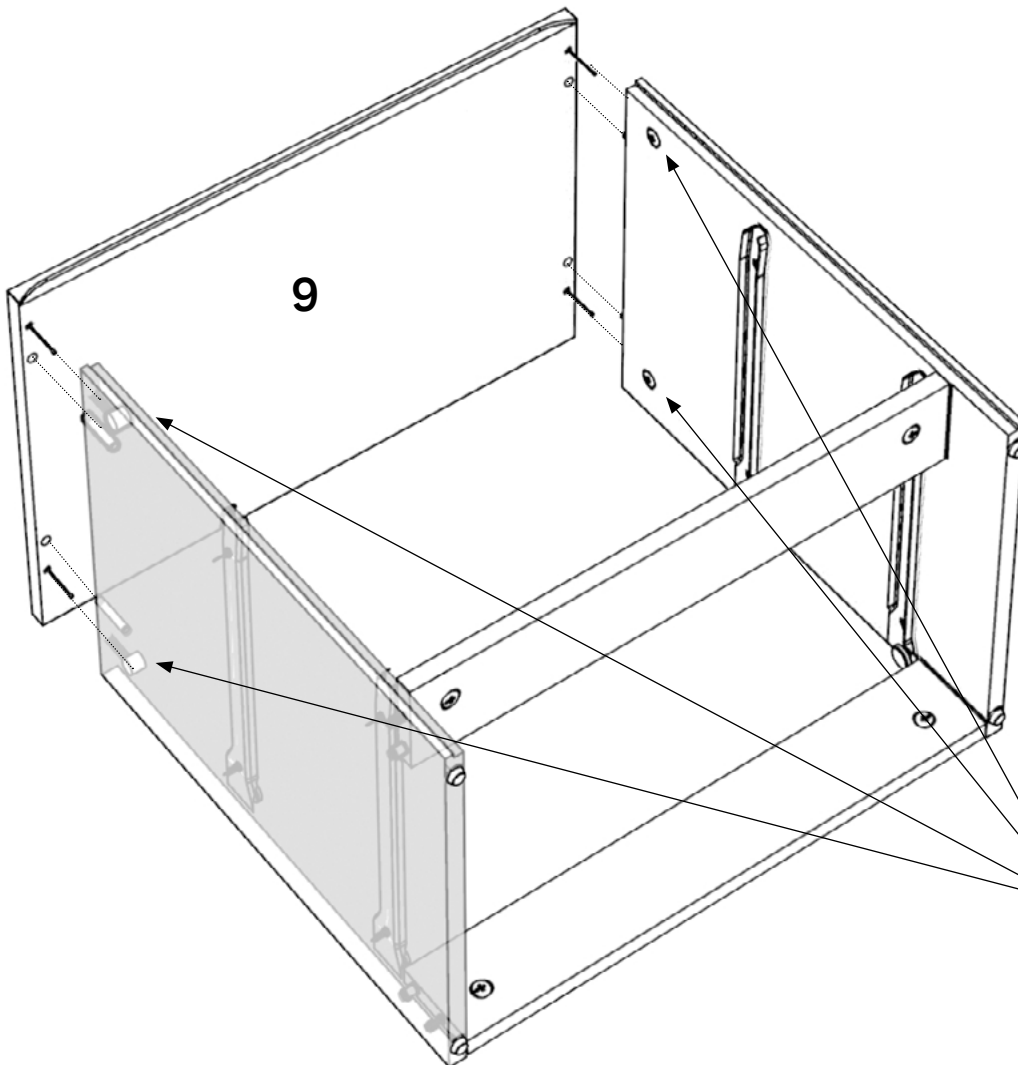
9



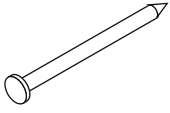
B x 04



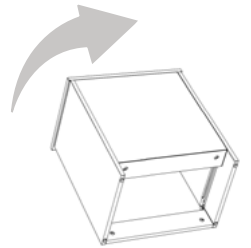
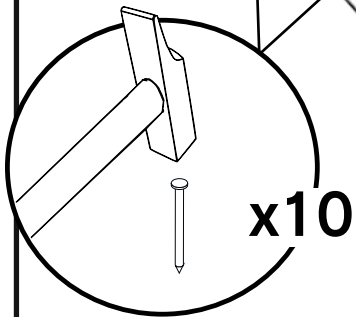
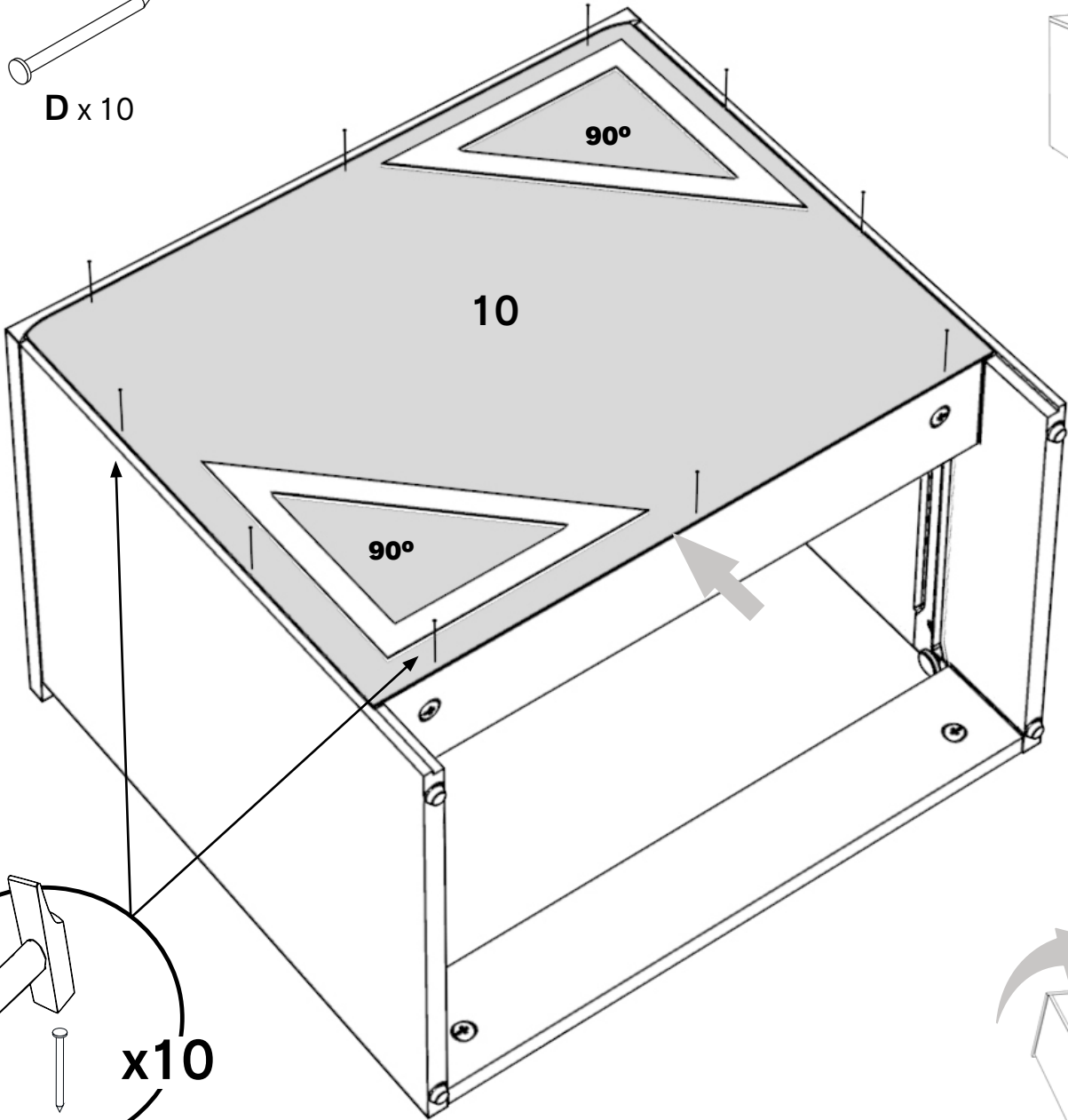
10



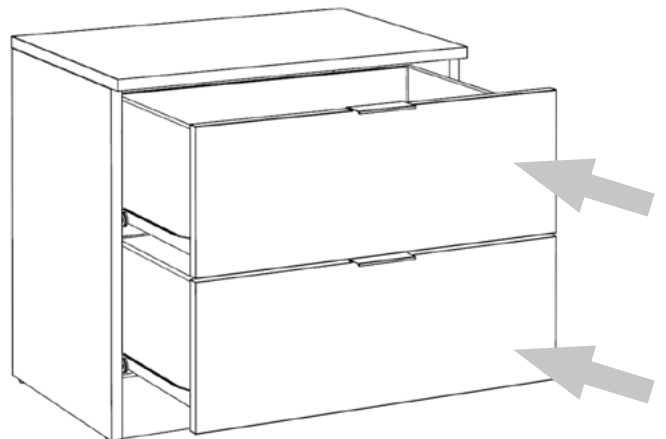
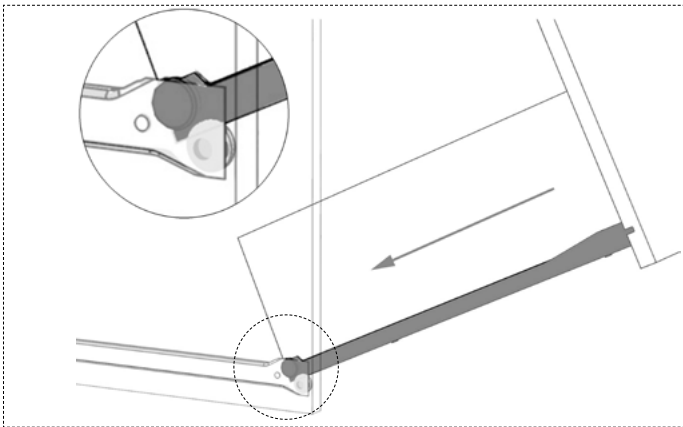
11



D x 10

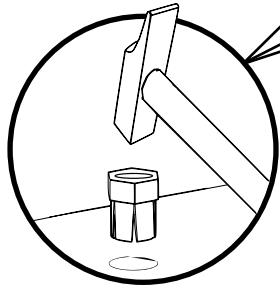
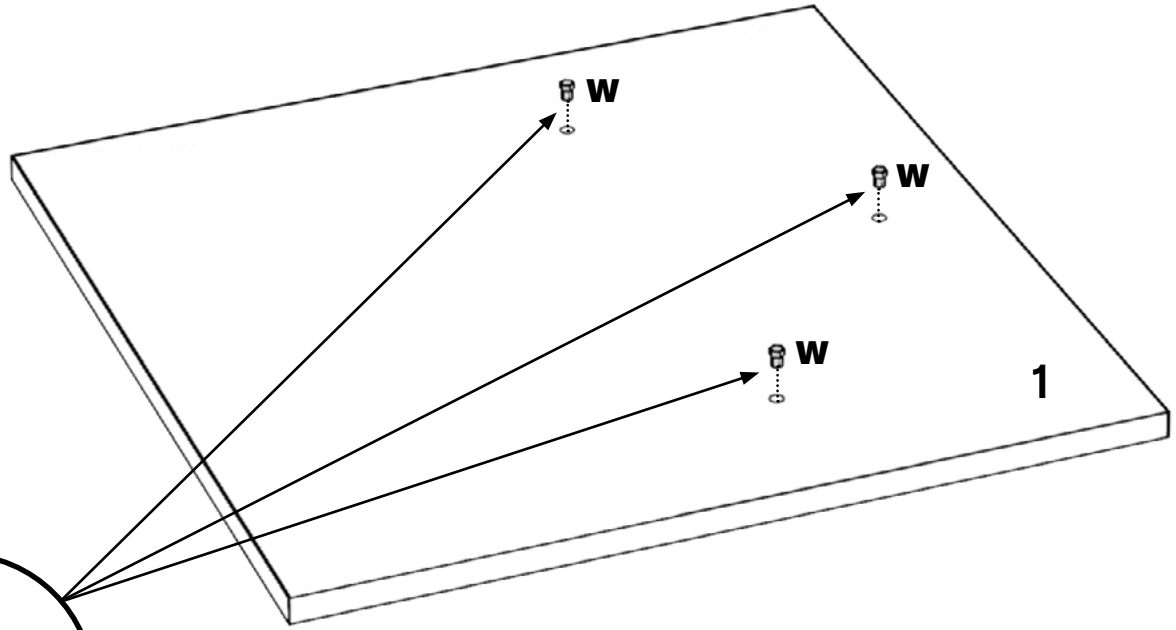


12

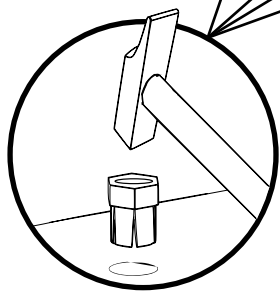
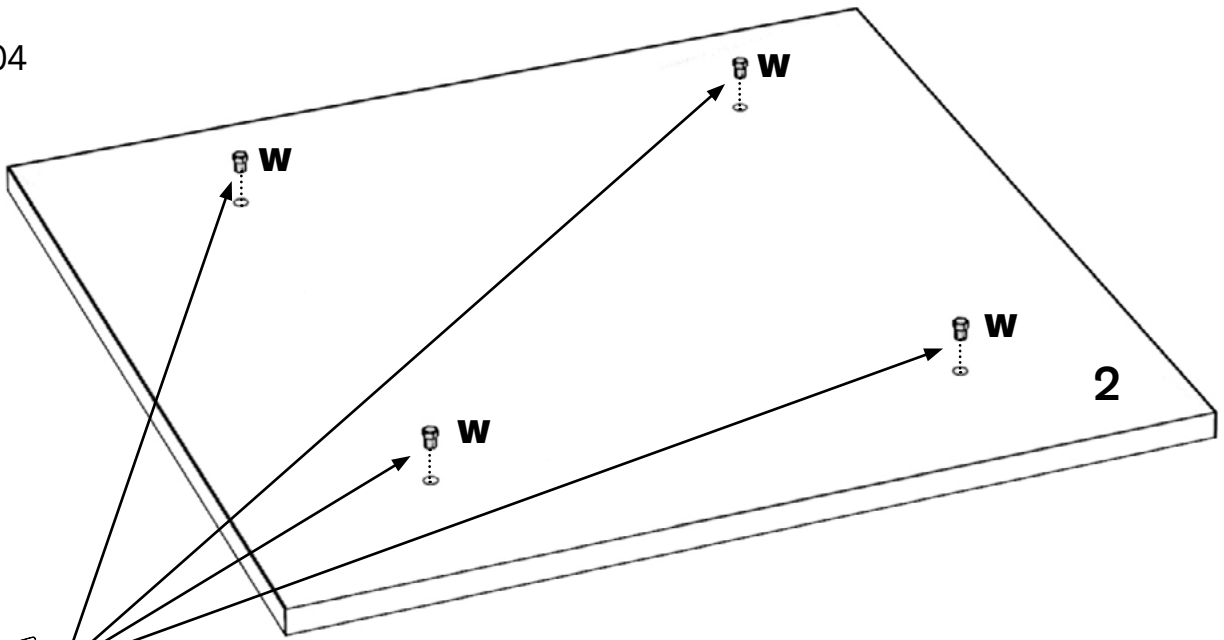


13

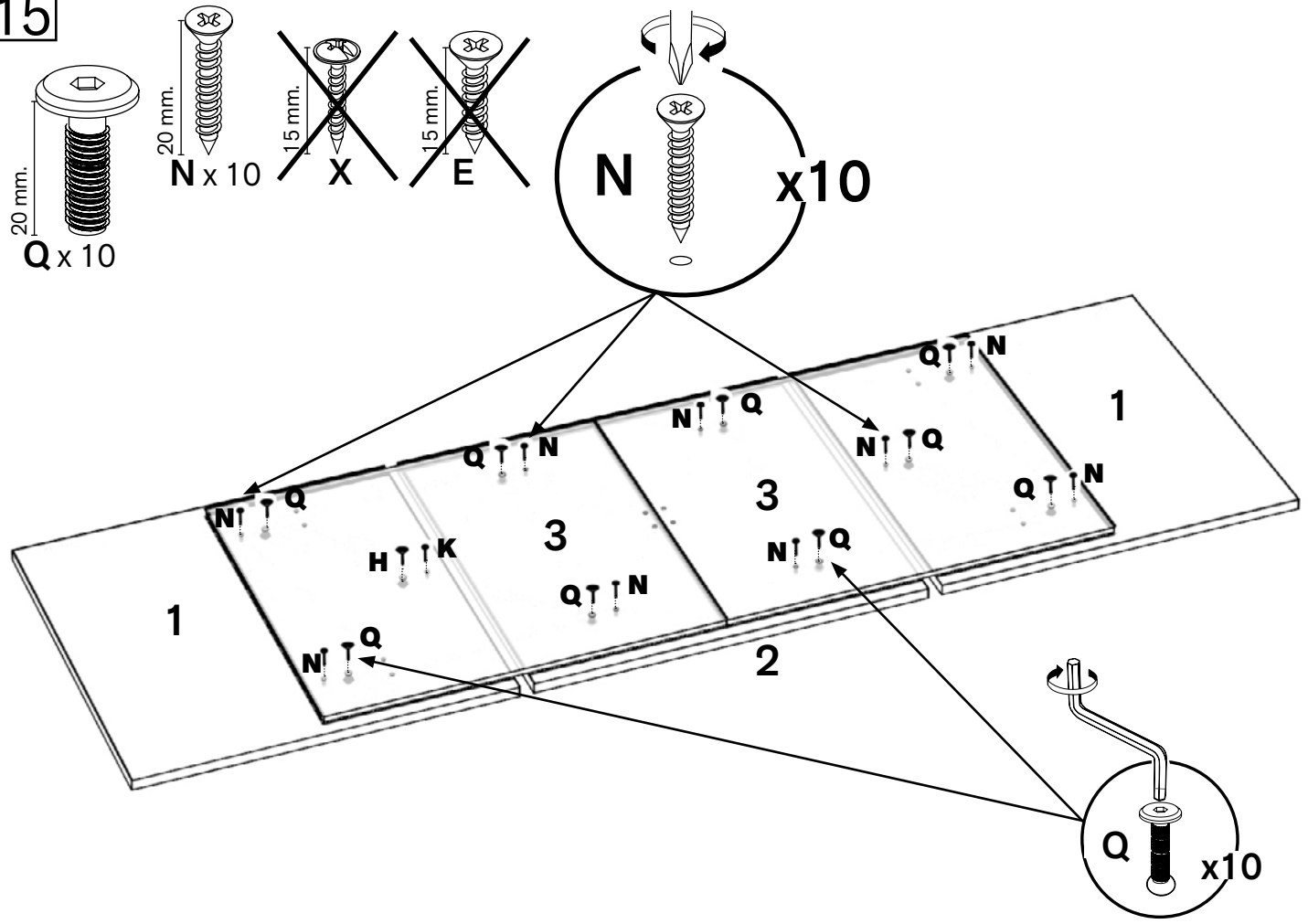
(x2)



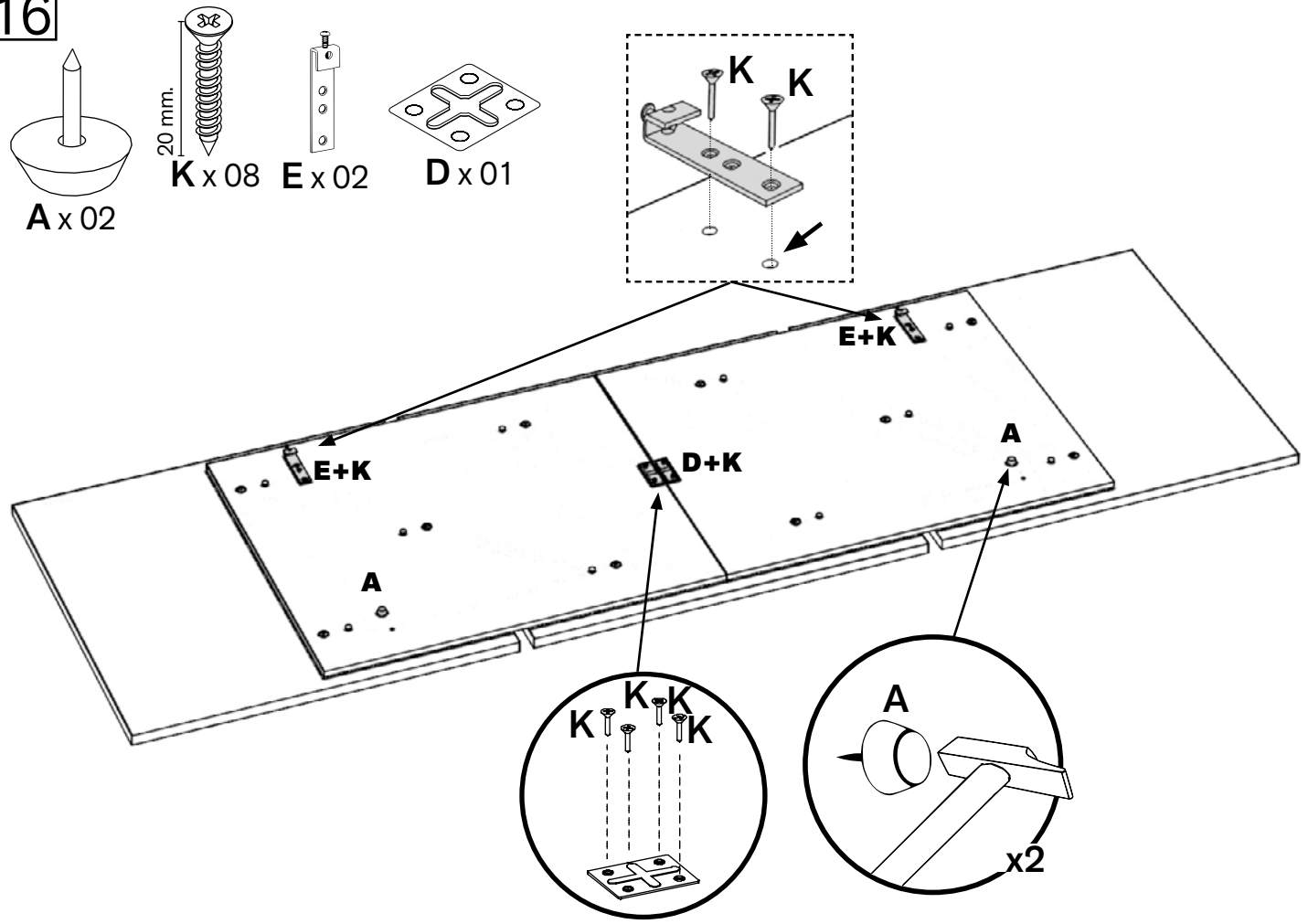
14



15

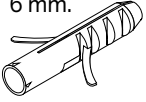


16

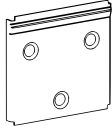


17

6 mm.

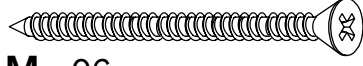


L x 06

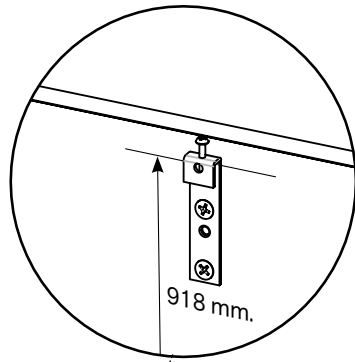
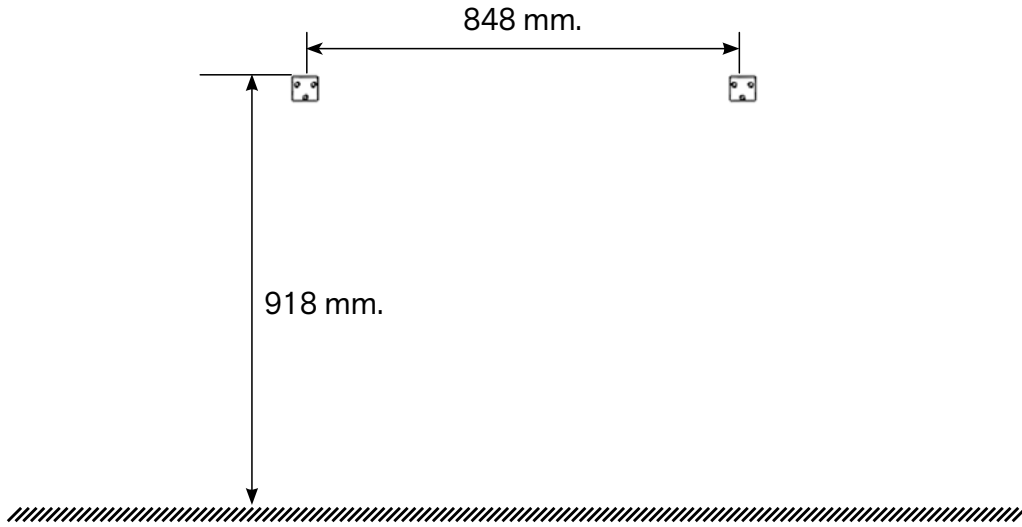
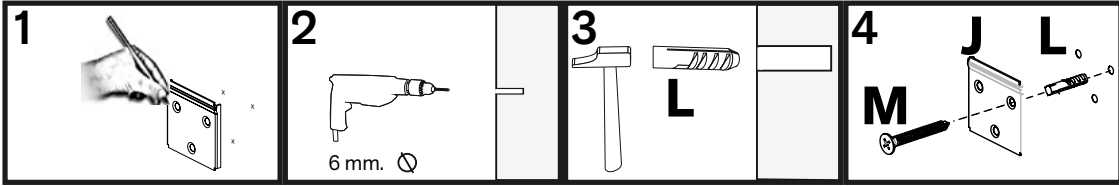


J x 02

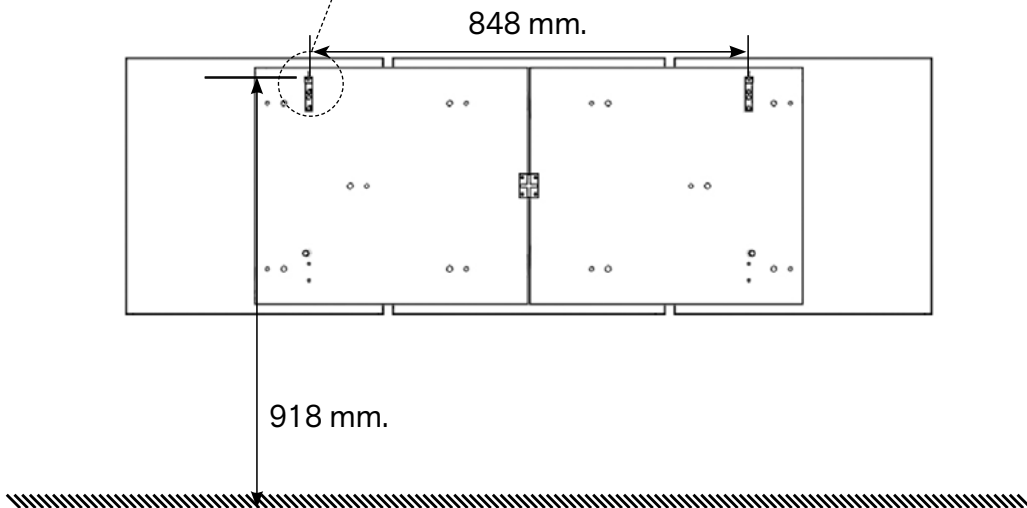
45 mm.



M x 06



918 mm.



18

