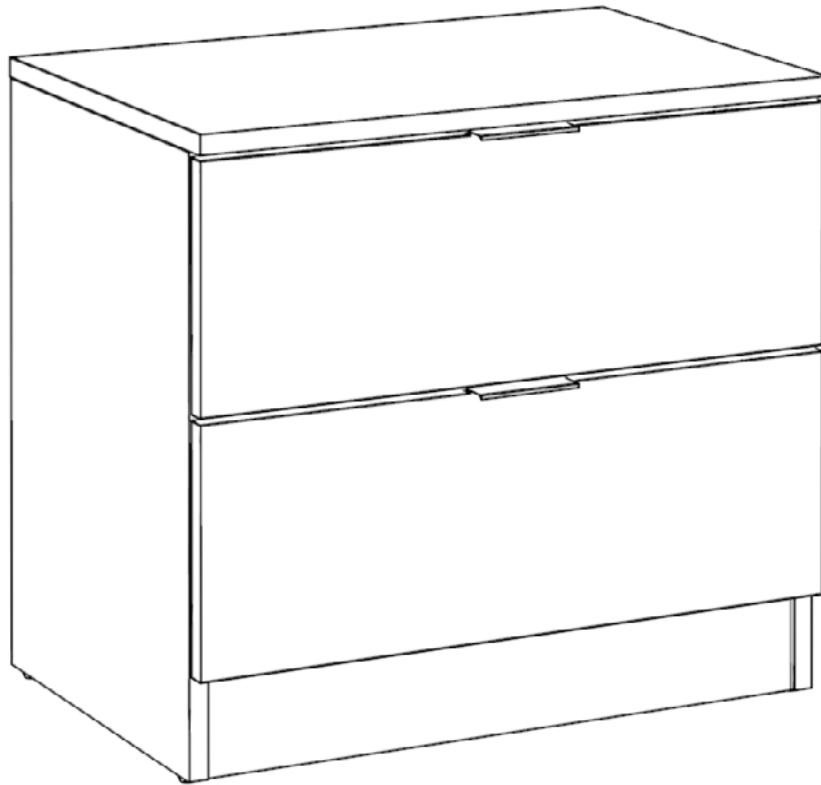
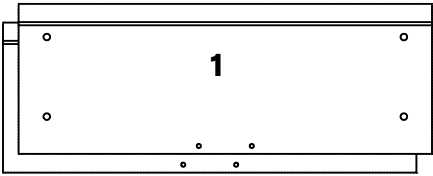
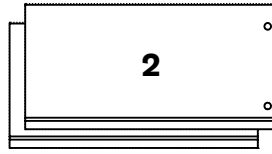


45 m.

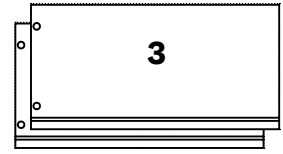




500 x 179 mm.



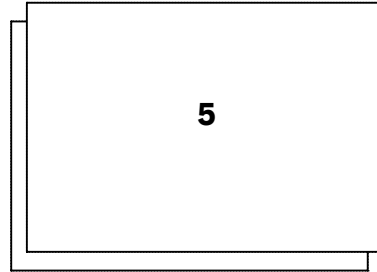
300 x 150 mm.



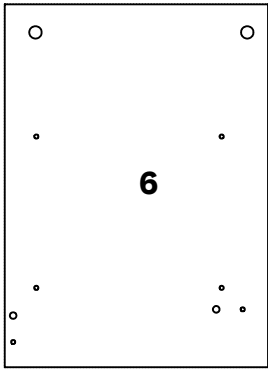
300 x 150 mm.



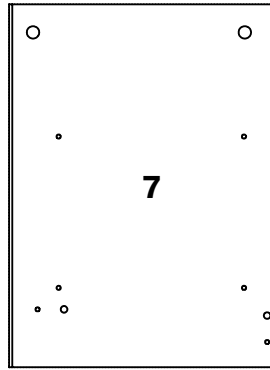
420 x 150 mm.



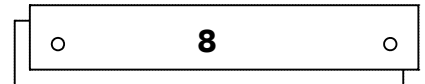
431 x 301 mm.



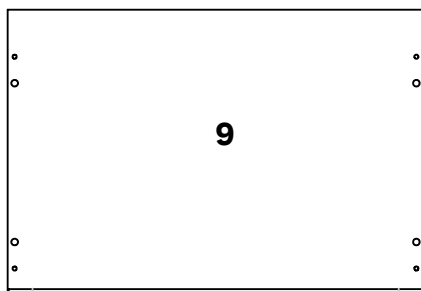
439 x 322 mm.



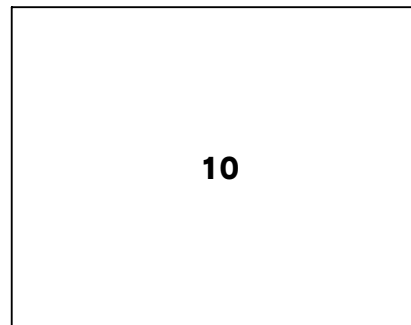
439 x 322 mm.



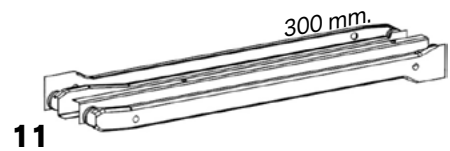
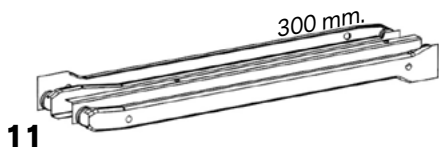
470 x 77 mm.

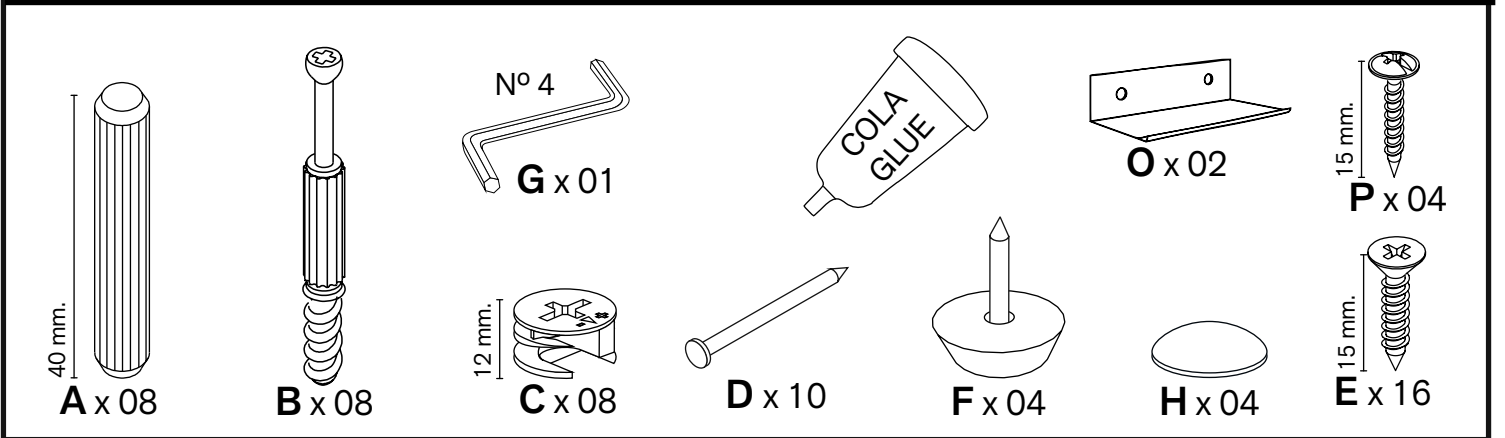
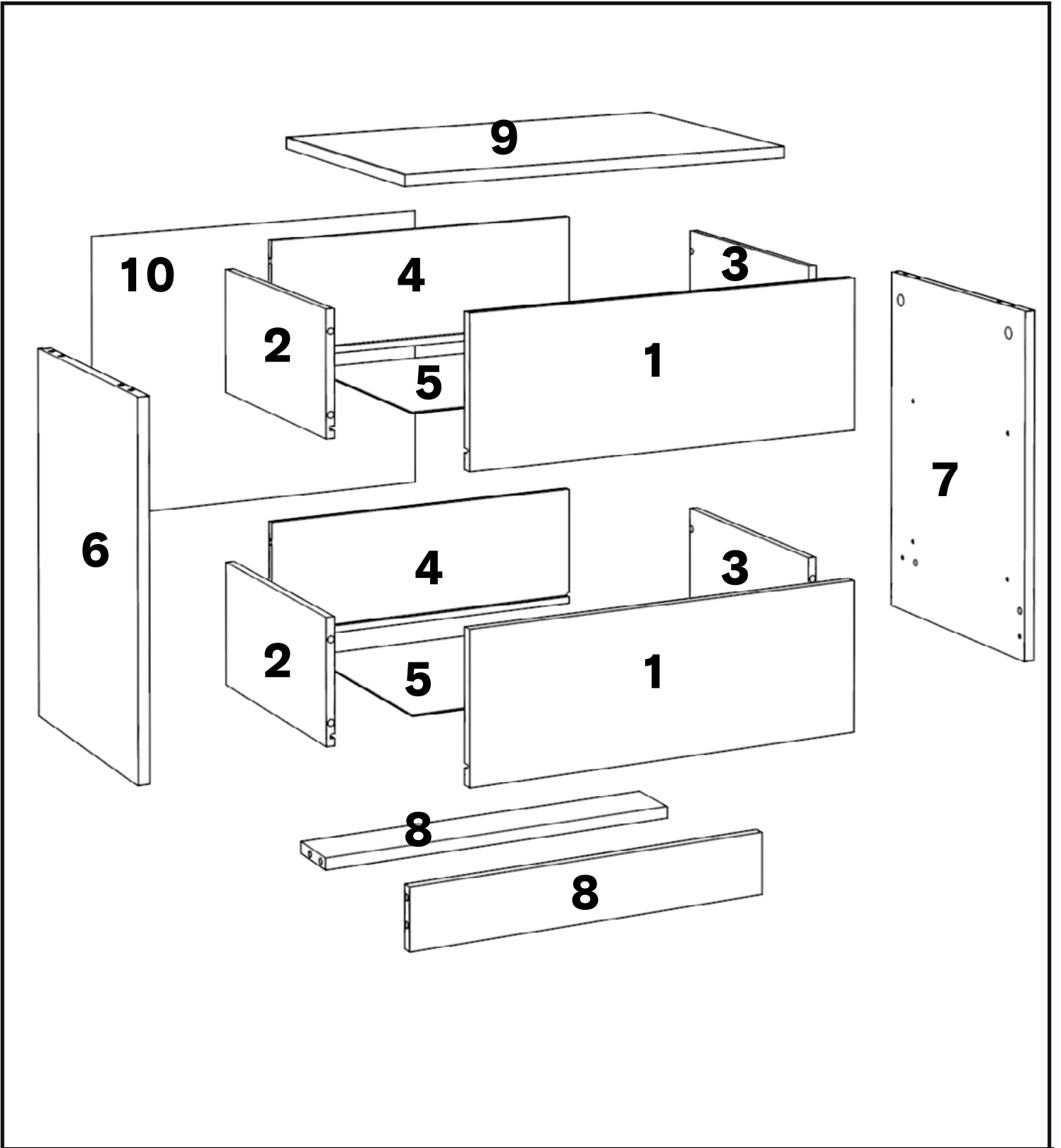


503 x 342 mm.



487 x 386 mm.

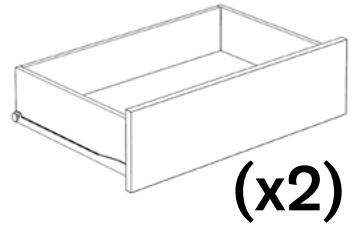




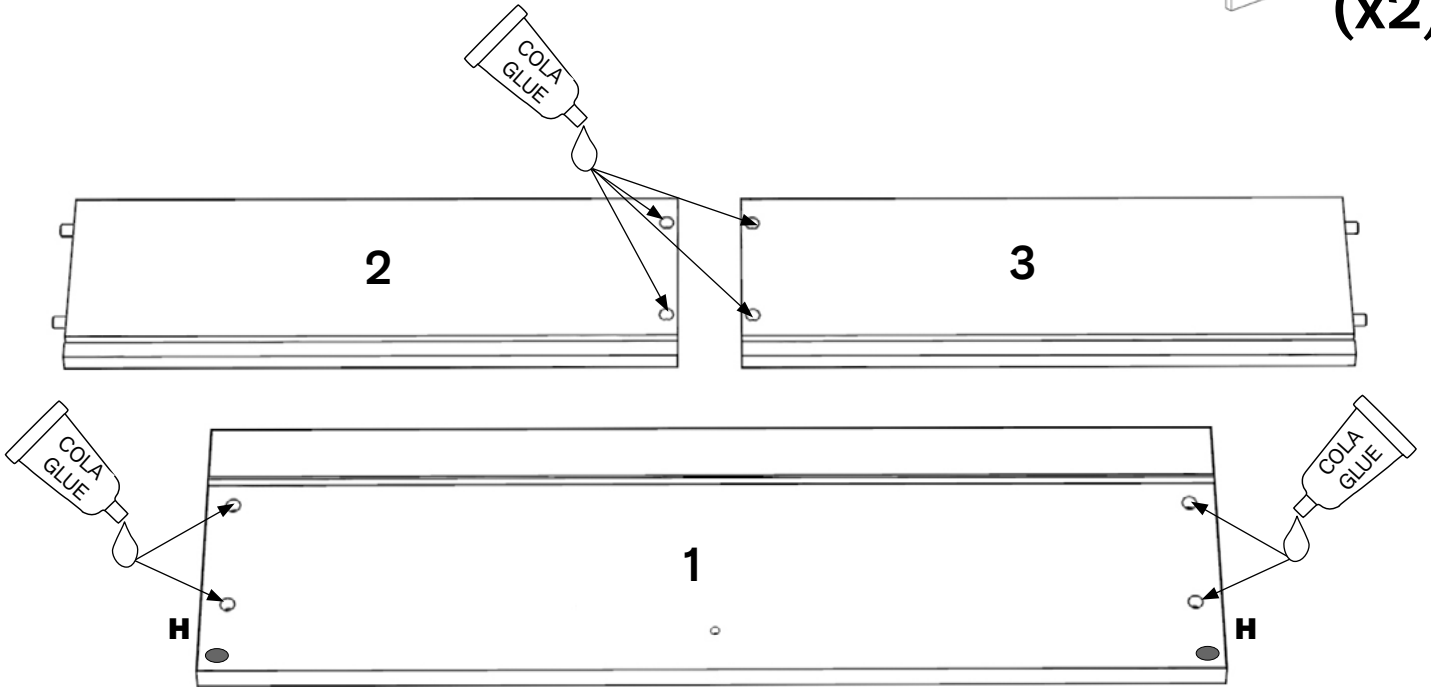
1



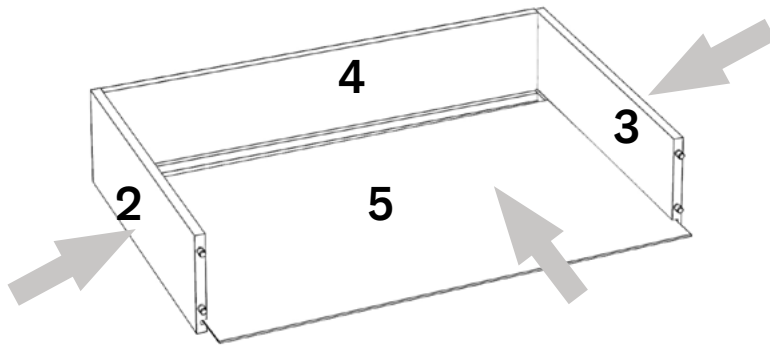
H x 04



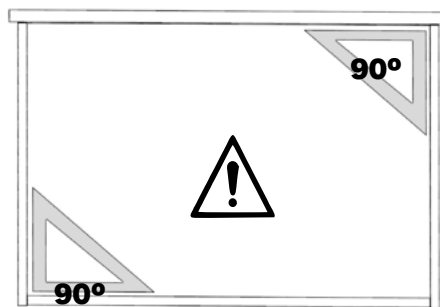
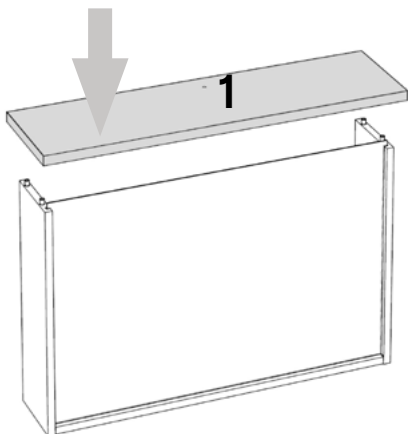
(x2)



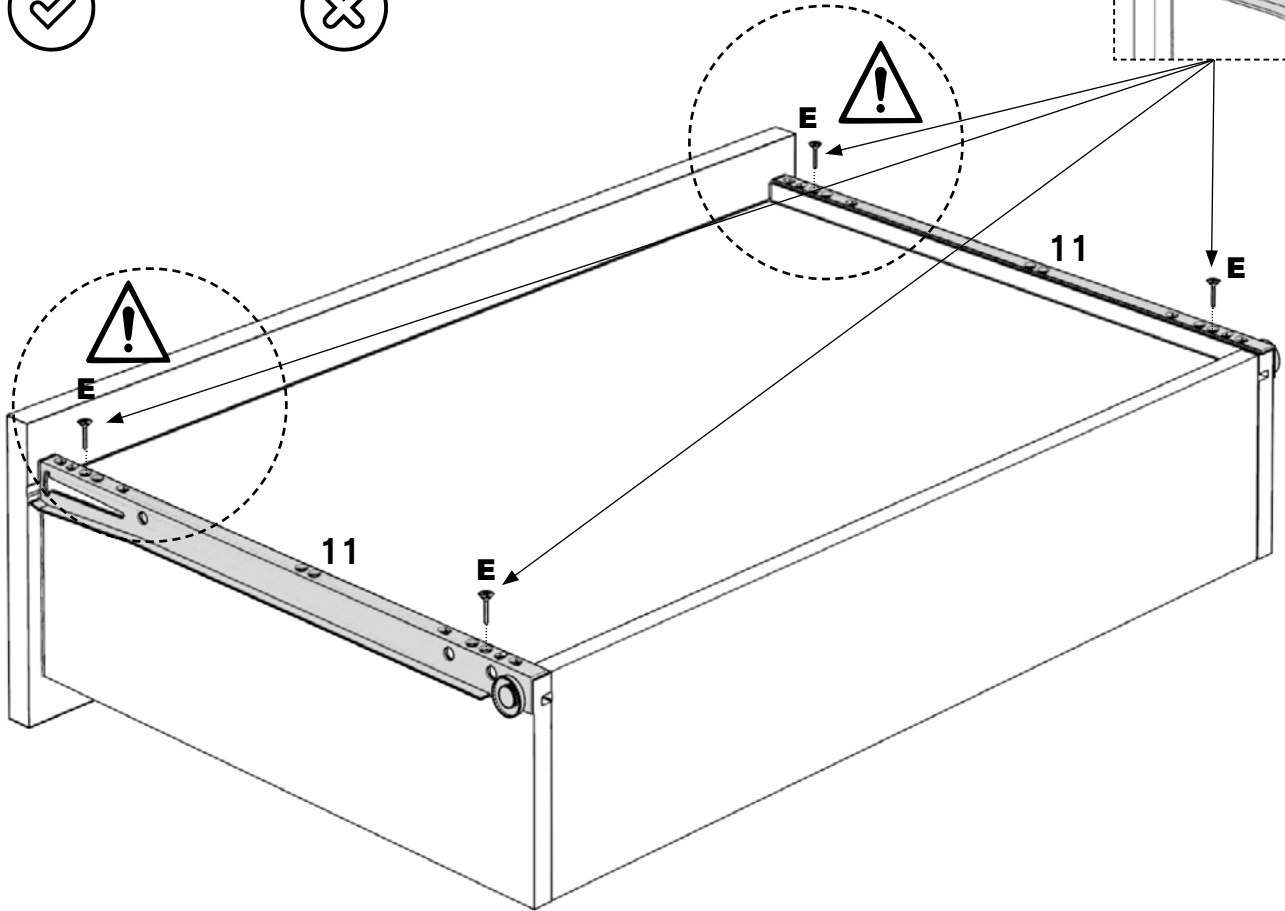
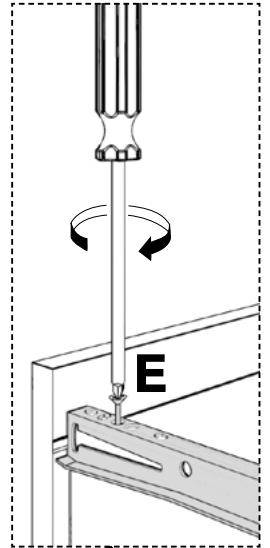
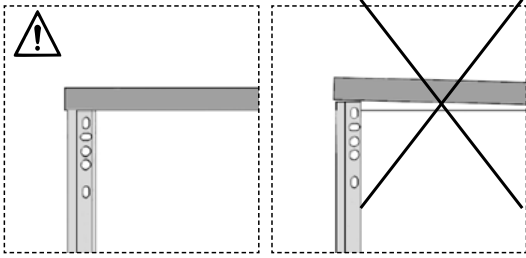
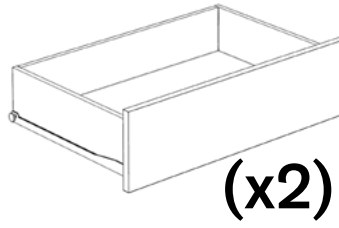
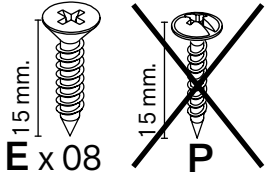
2



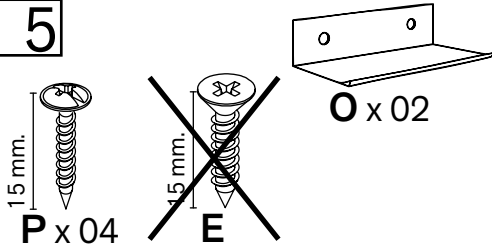
3



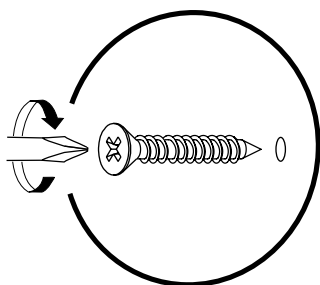
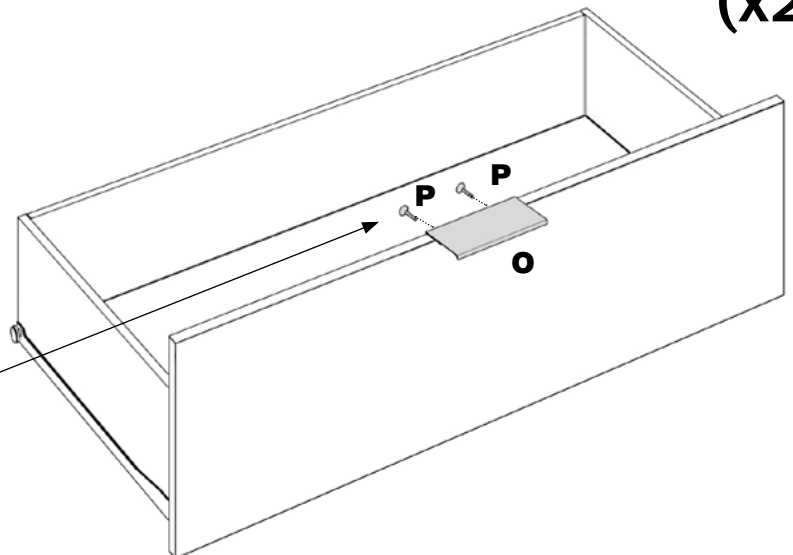
4



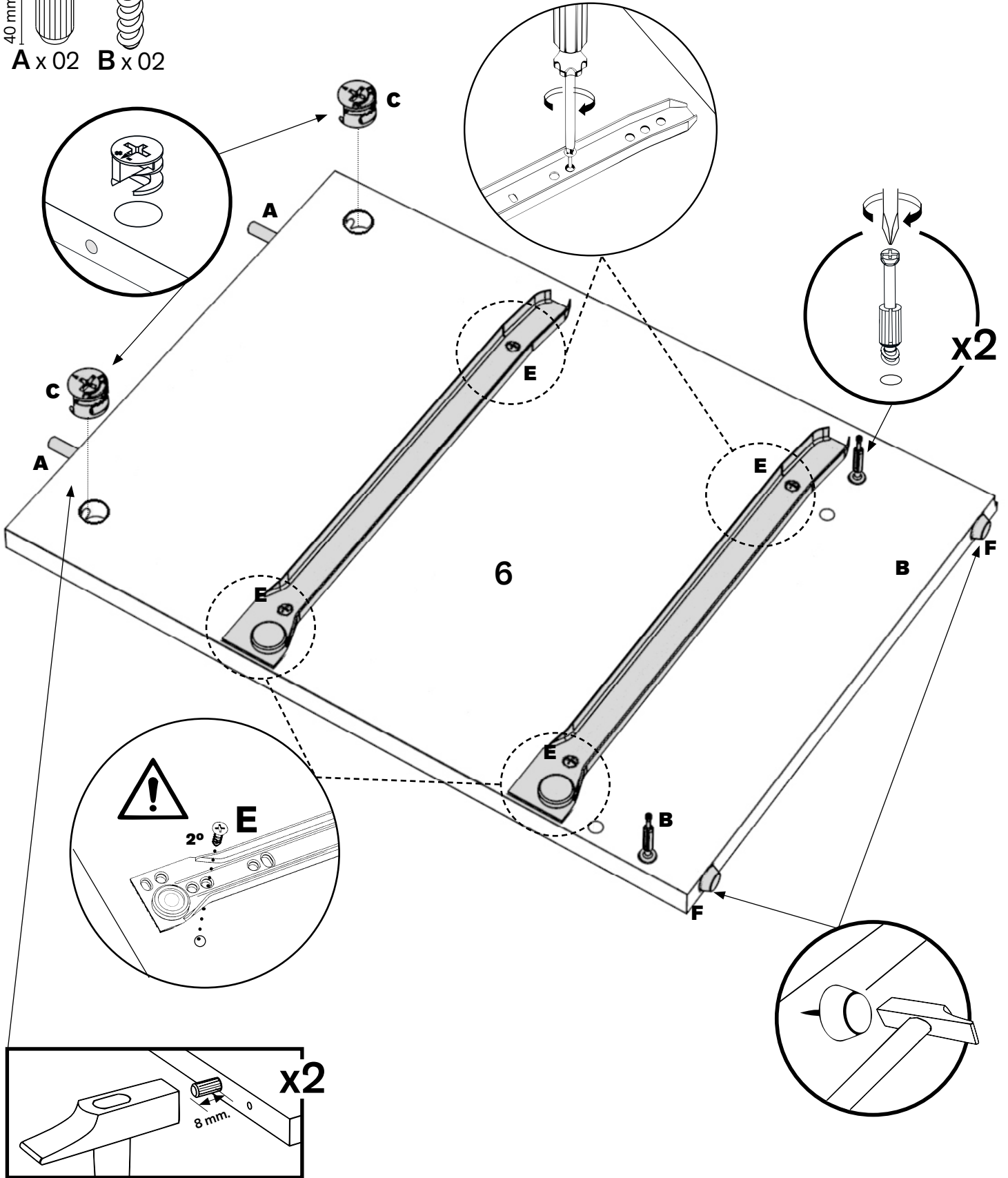
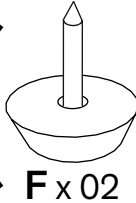
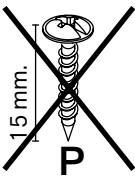
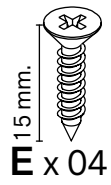
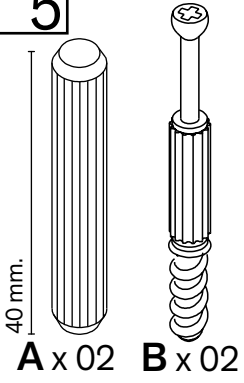
5



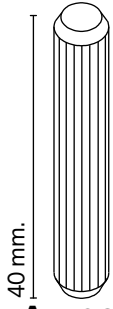
(x2)



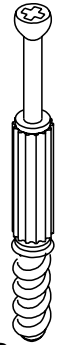
5



6



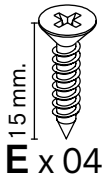
A x 02



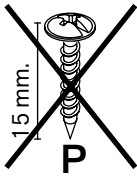
B x 02



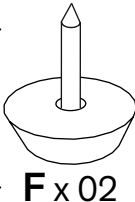
C x 02



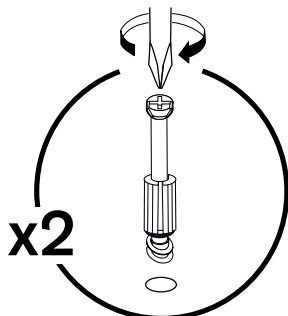
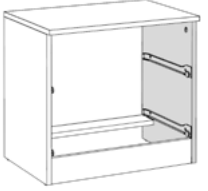
E x 04



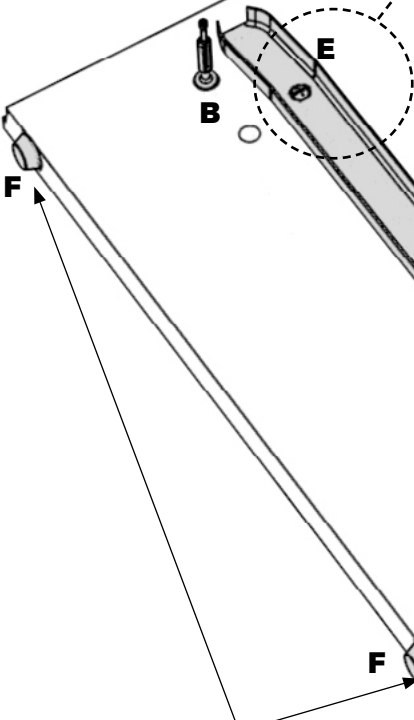
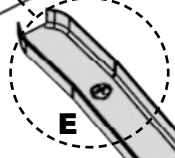
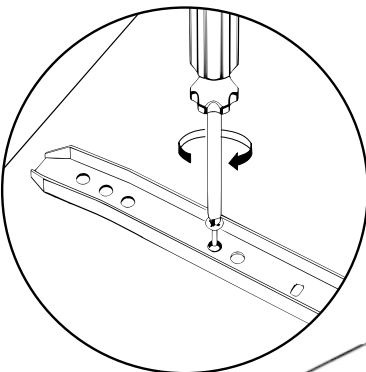
~~P~~



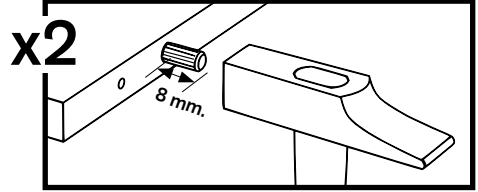
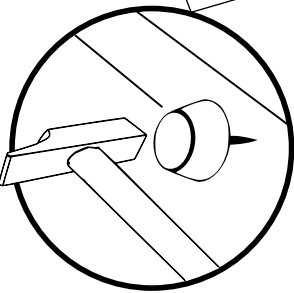
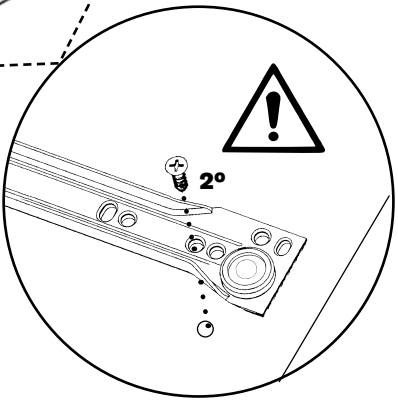
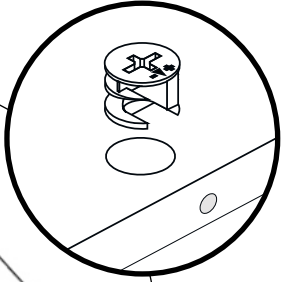
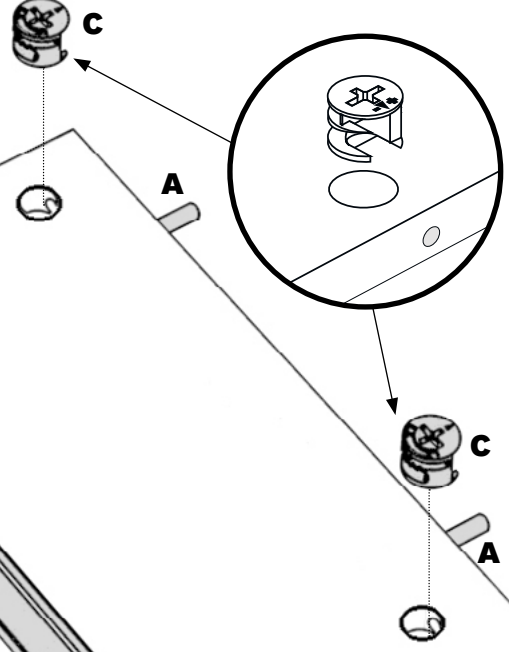
F x 02



x2

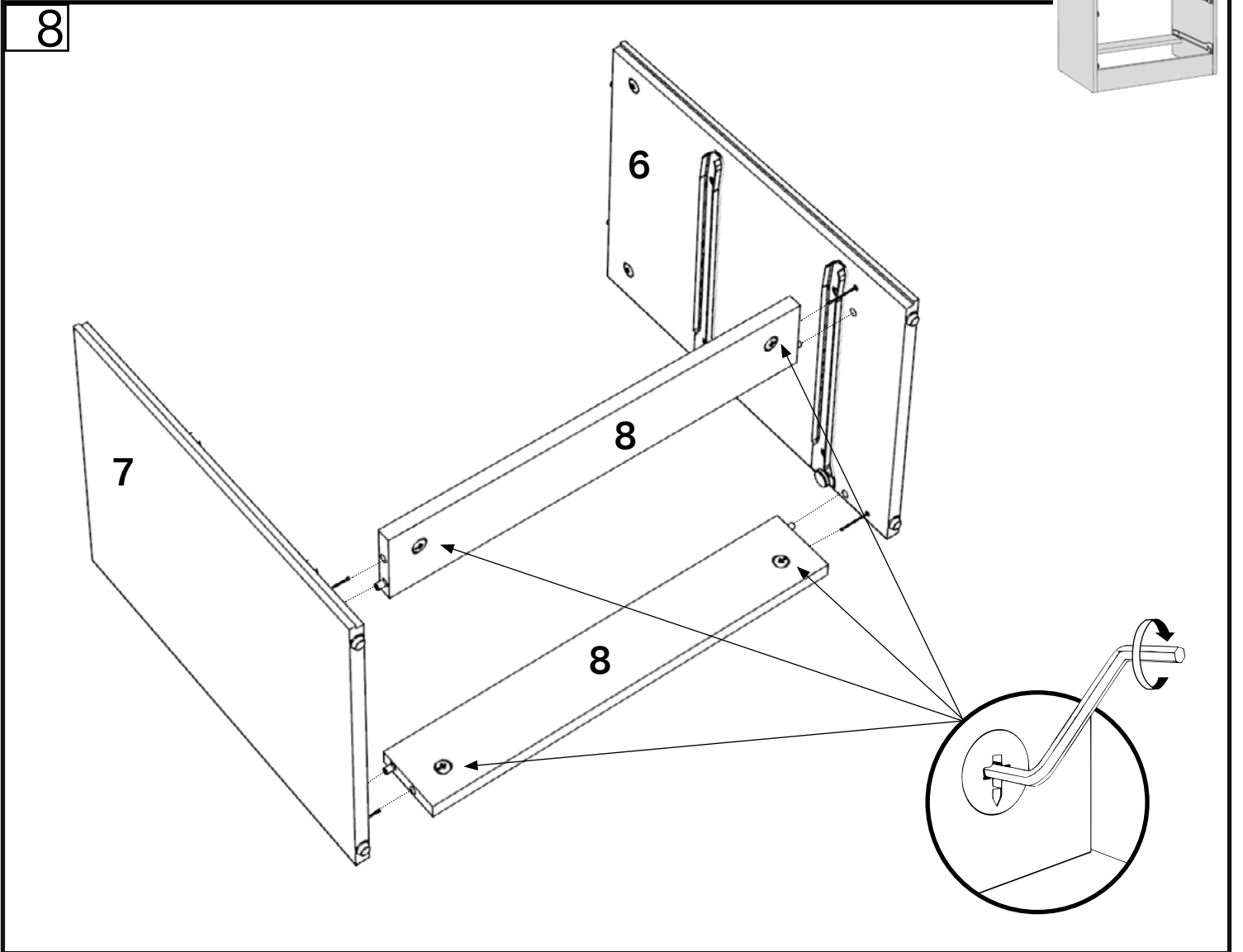
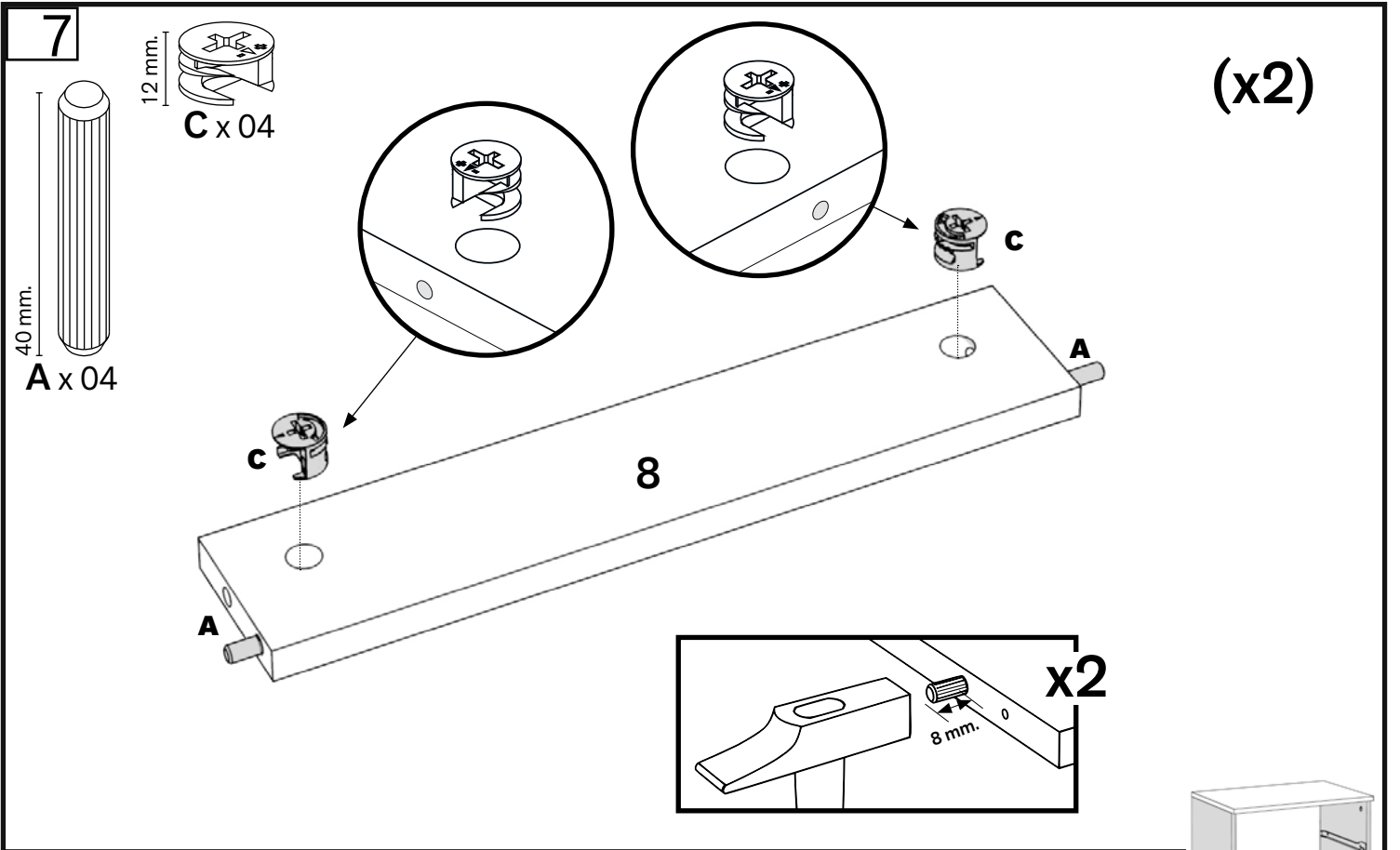


7



x2

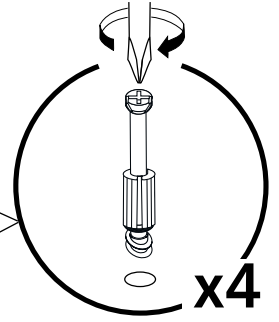
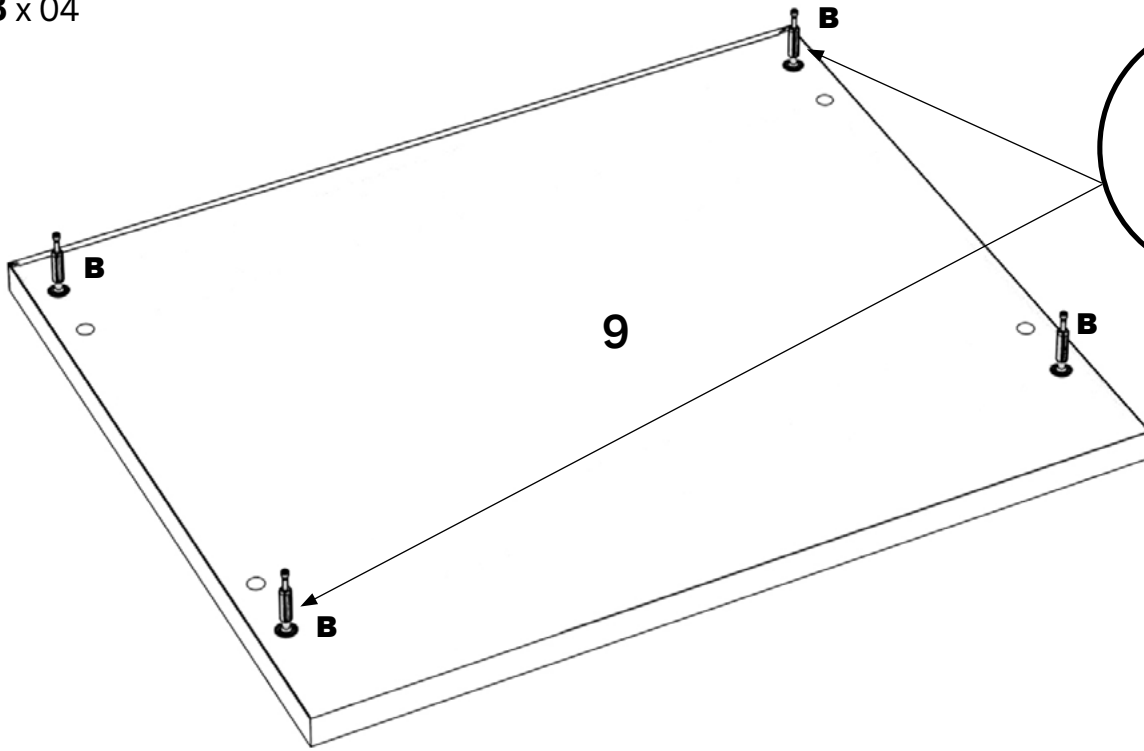
8 mm.



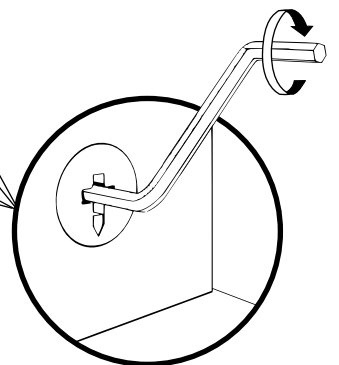
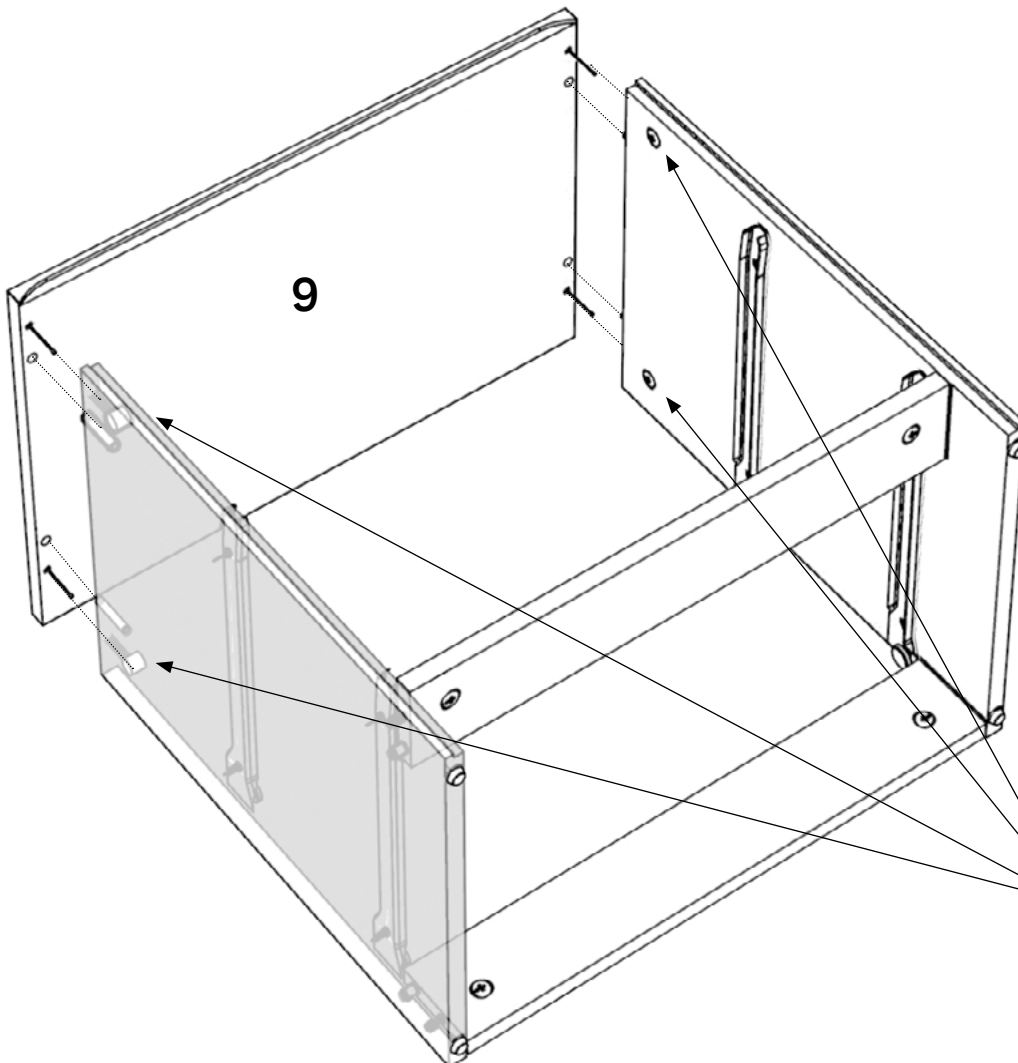
9



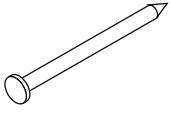
B x 04



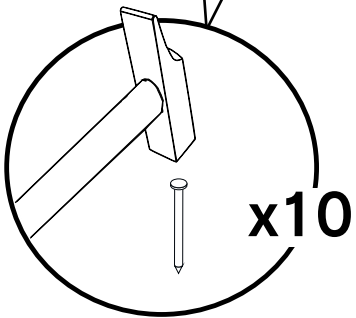
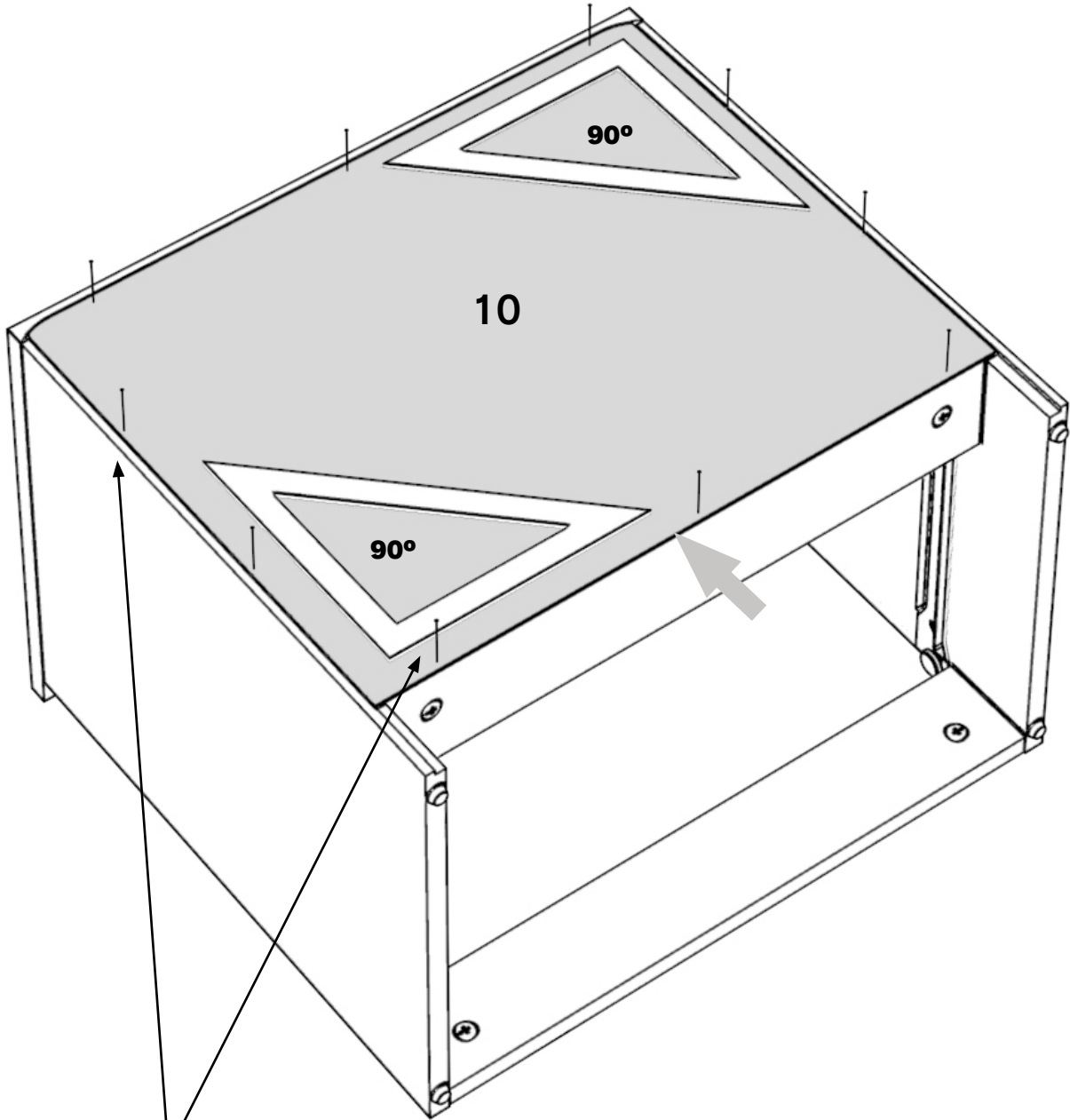
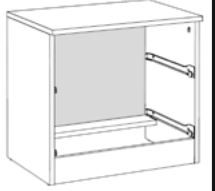
10



11



D x 10



12

