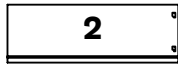
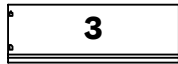


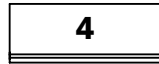
357 x 157 mm.



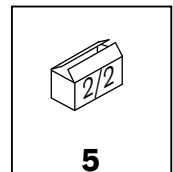
350 x 110 mm.



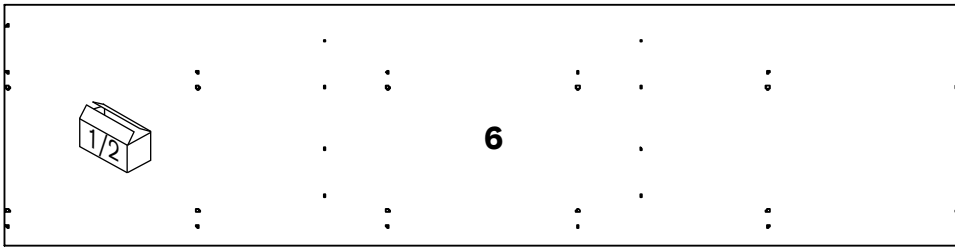
350 x 110 mm.



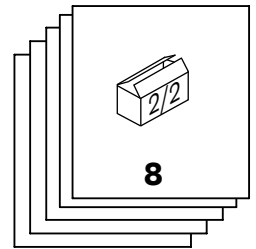
314 x 110 mm.



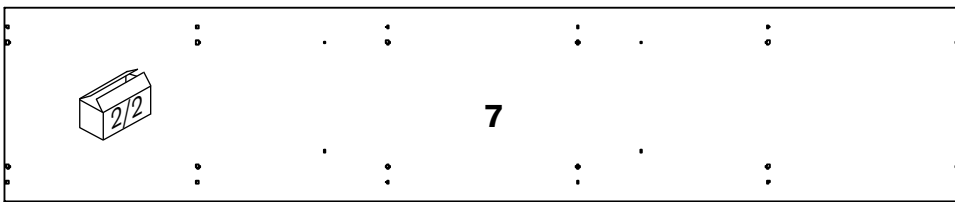
351 x 326 mm.



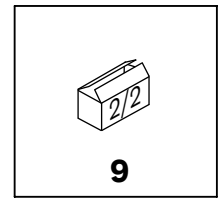
2030 x 499 mm.



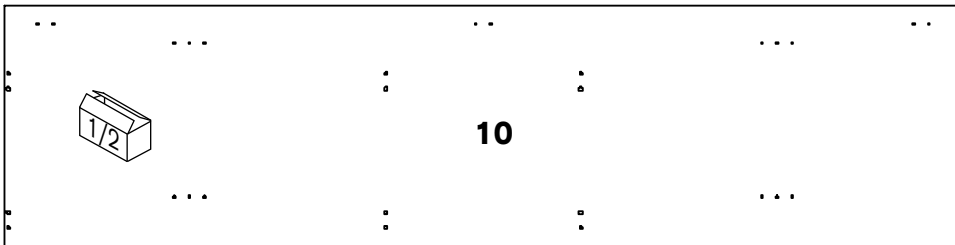
397 x 363 mm.



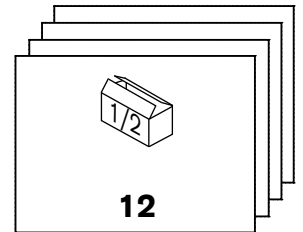
2030 x 399 mm.



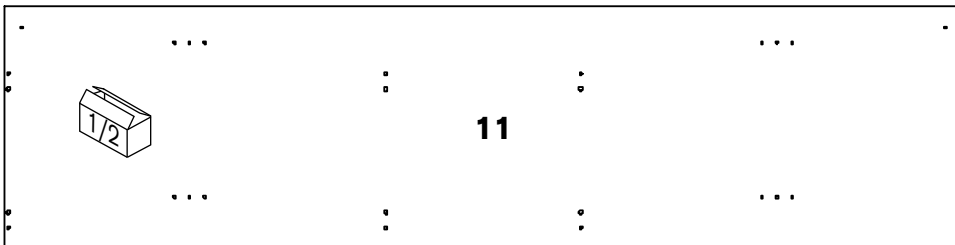
418 x 392 mm.



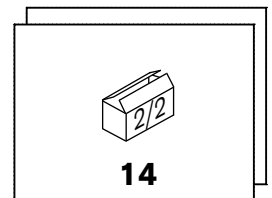
2030 x 499 mm.



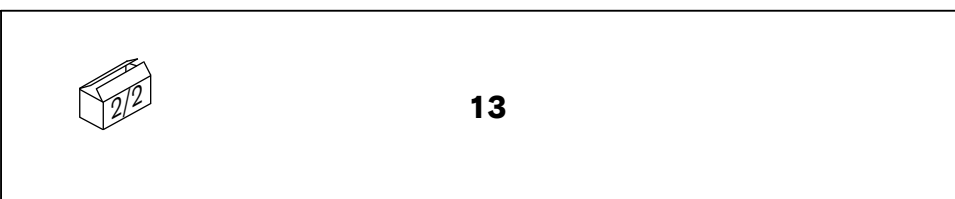
498 x 363 mm.



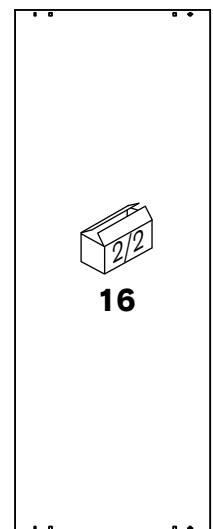
2030 x 499 mm.



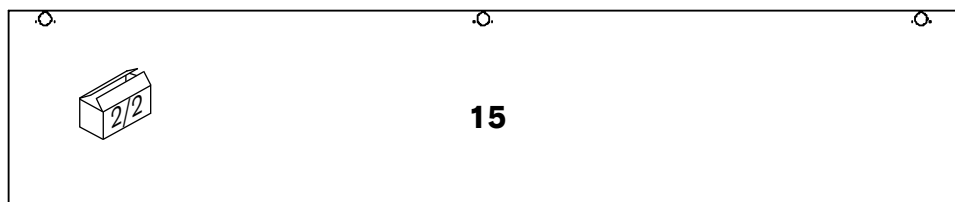
498 x 363 mm.



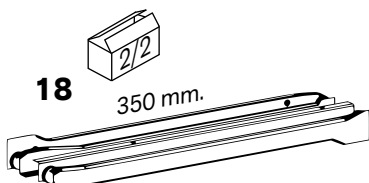
2030 x 393 mm.



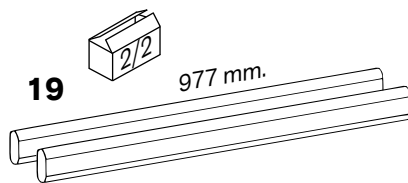
1100 x 400 mm.



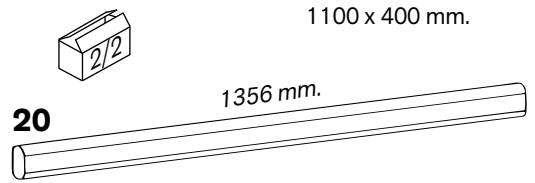
2010 x 401 mm.



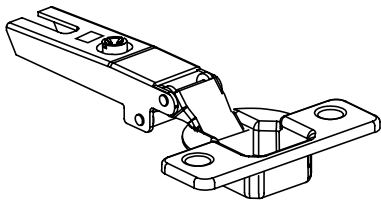
18 350 mm.



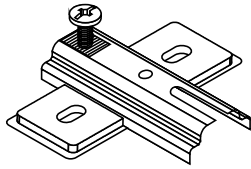
19 977 mm.



20 1356 mm.



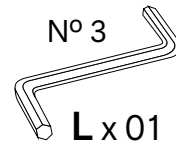
N x 03



O x 03



K x 06

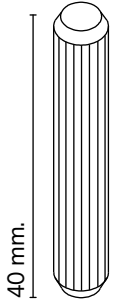


N° 3

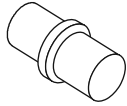
L x 01



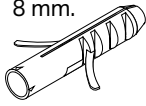
COLA
GLUE



A x 36



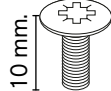
F x 08



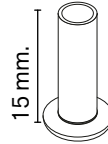
H x 02



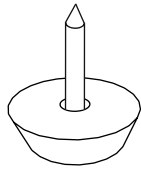
M x 46



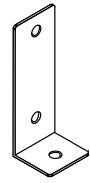
O x 01



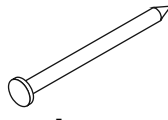
P x 01



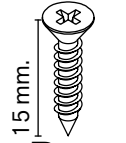
G x 10



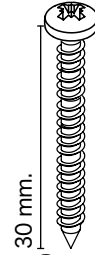
J x 02



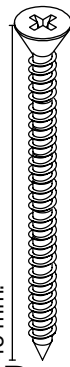
I x 40



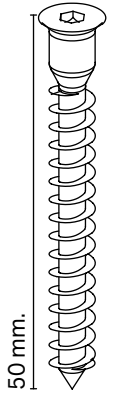
B x 33



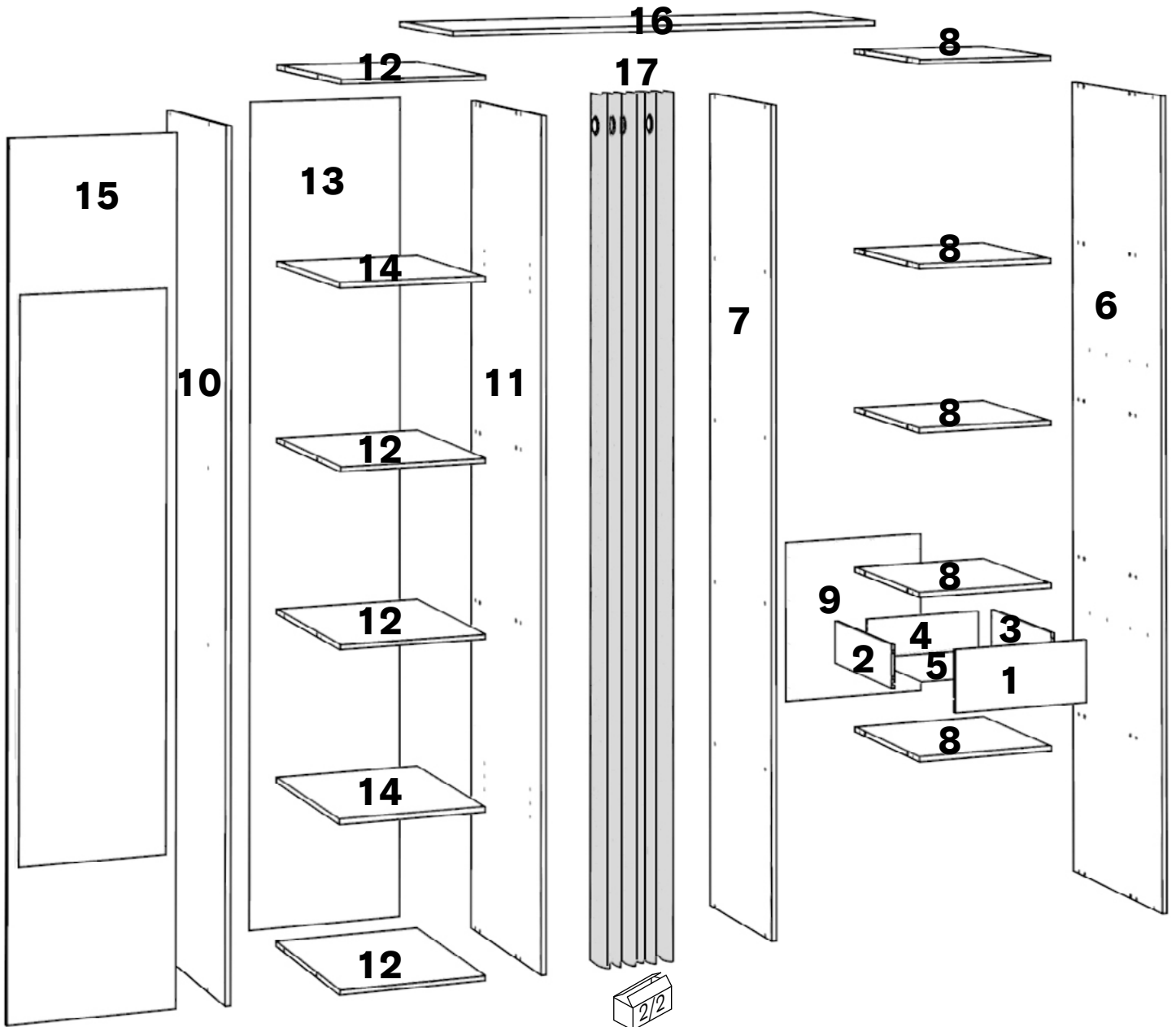
C x 04

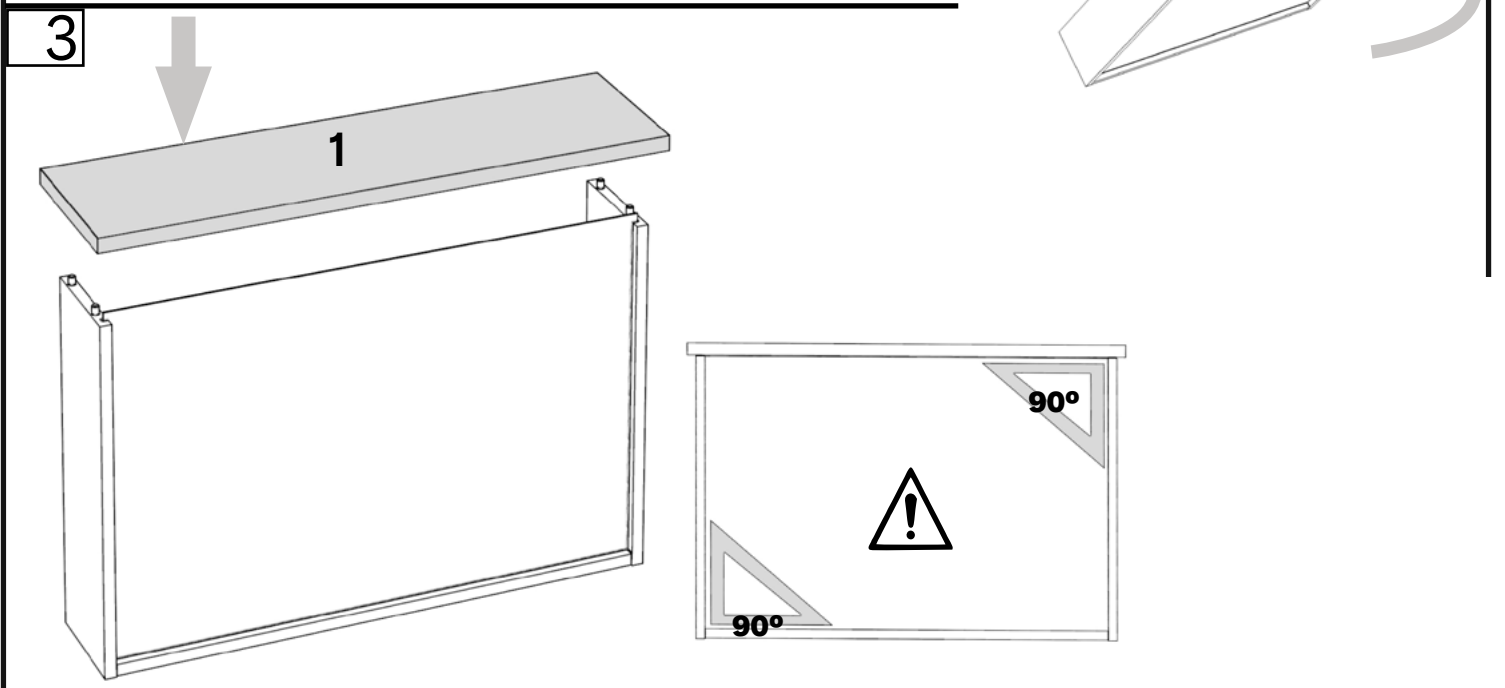
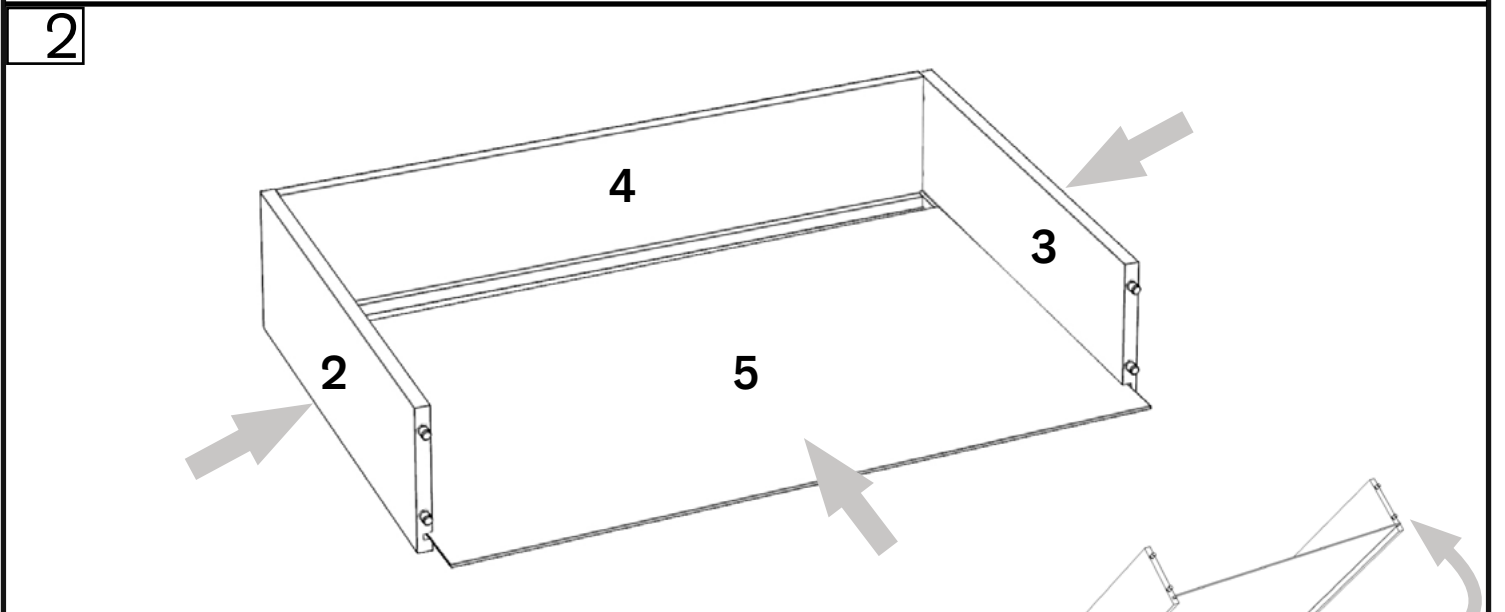
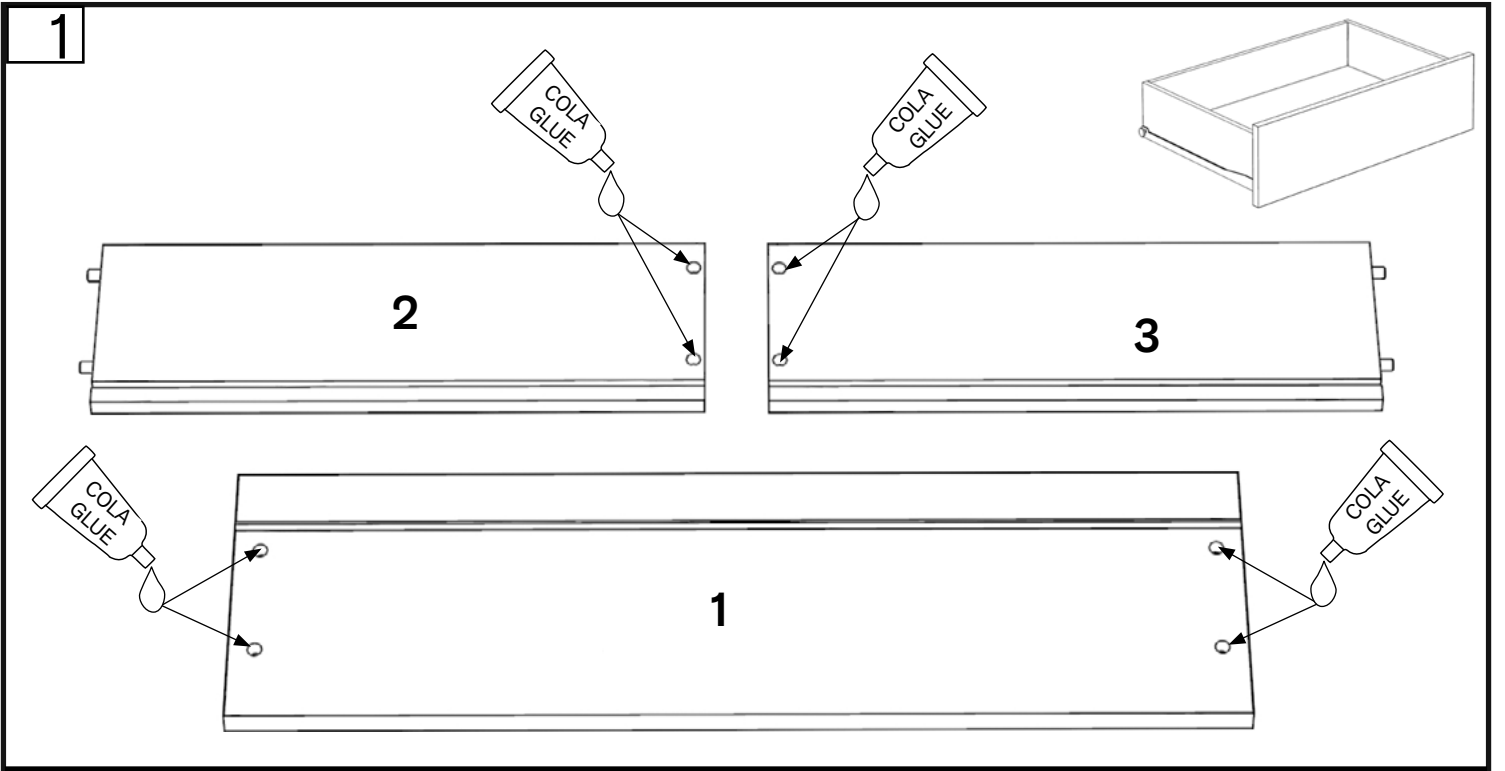


D x 02

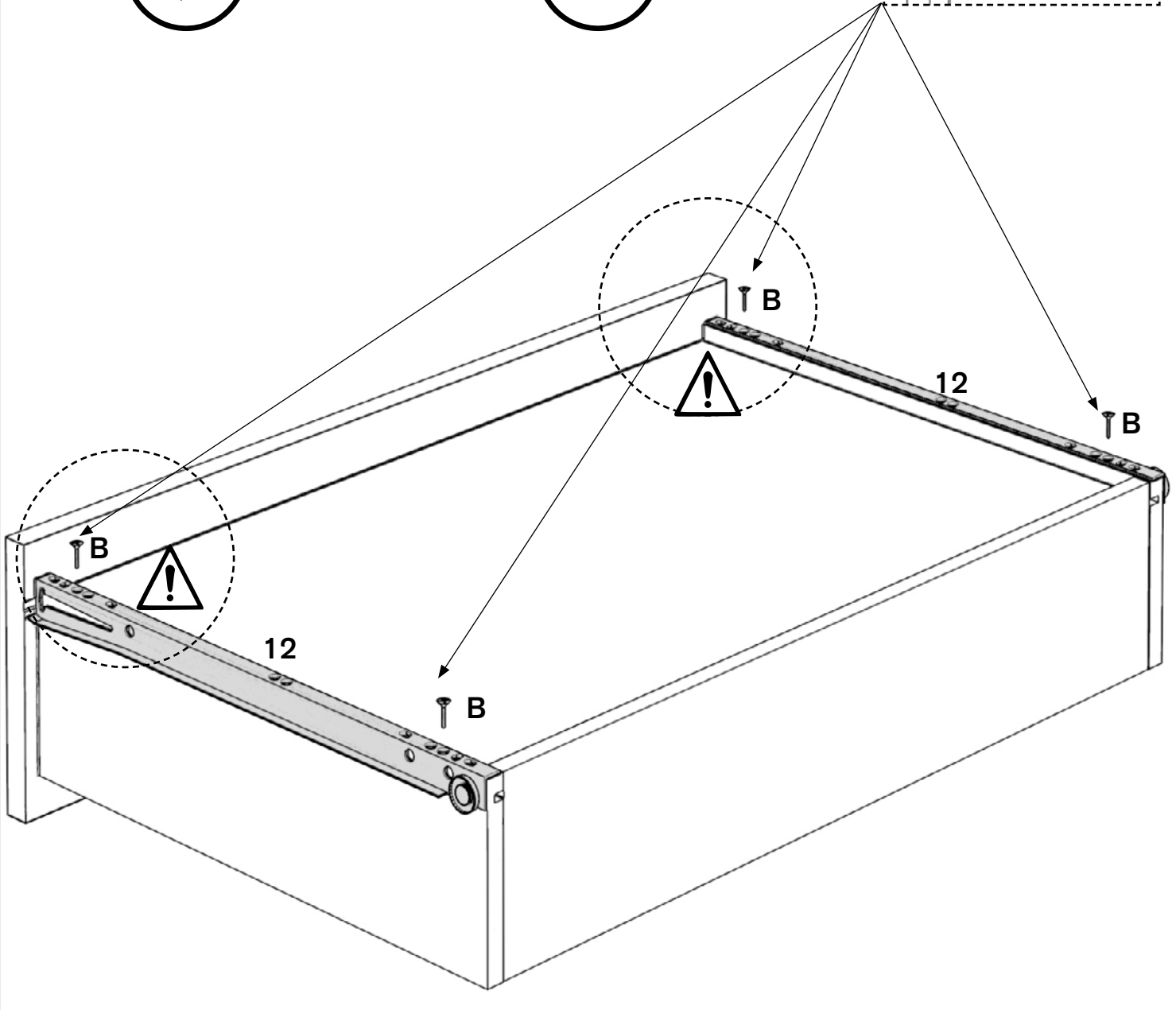
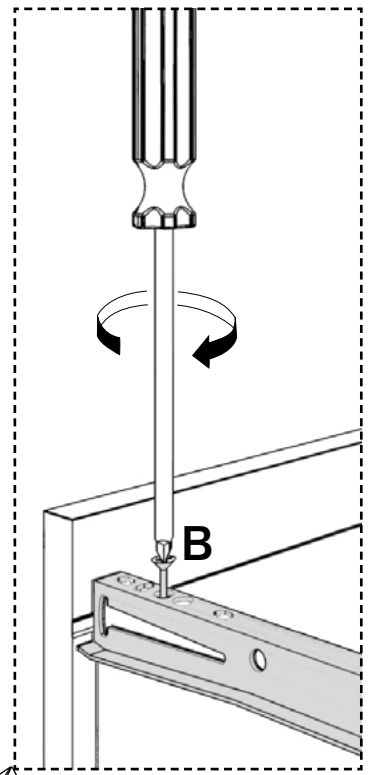
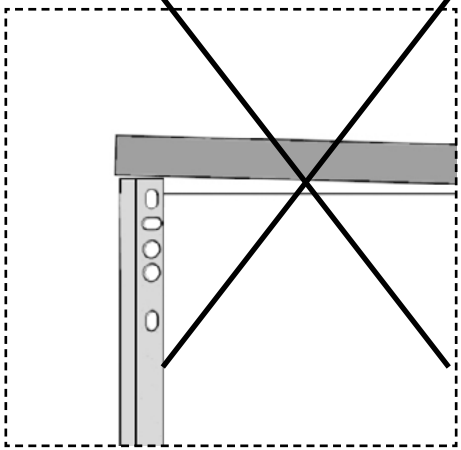
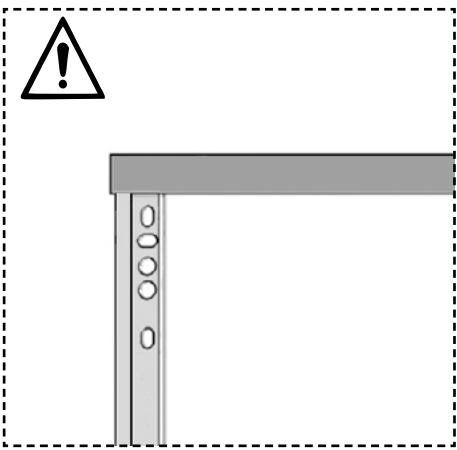
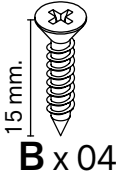


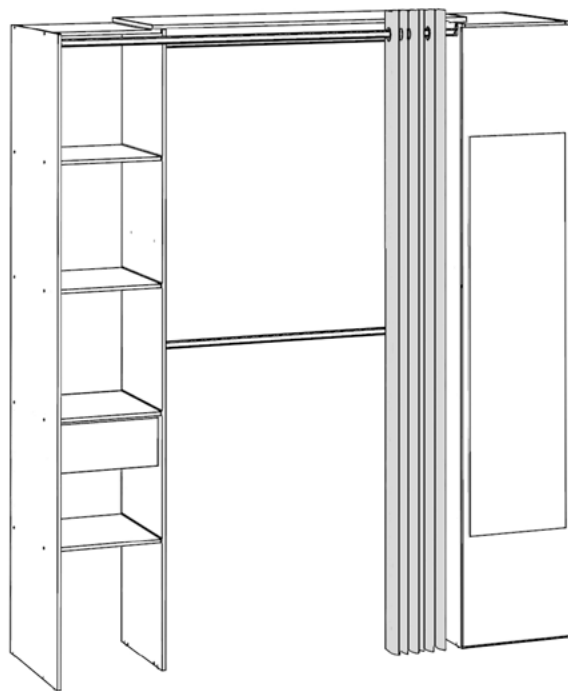
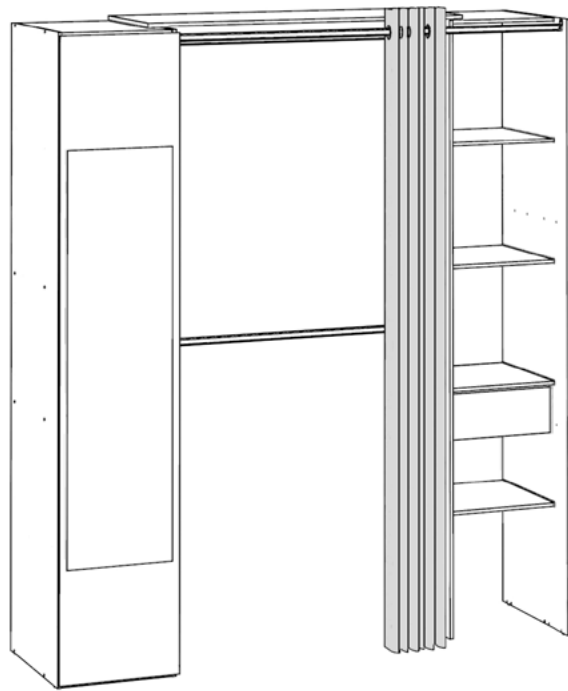
E x 36



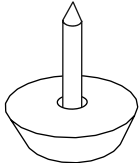


4

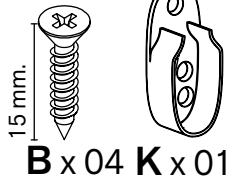




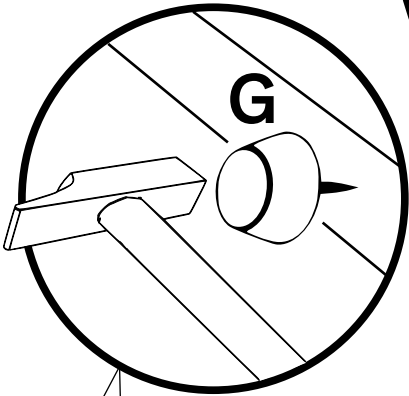
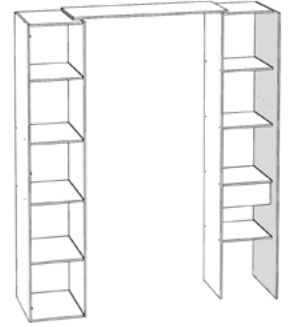
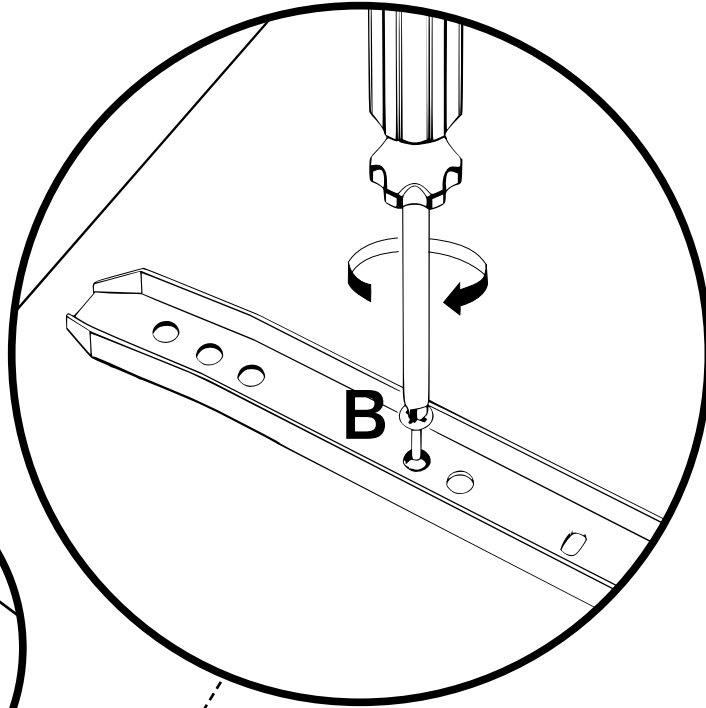
5



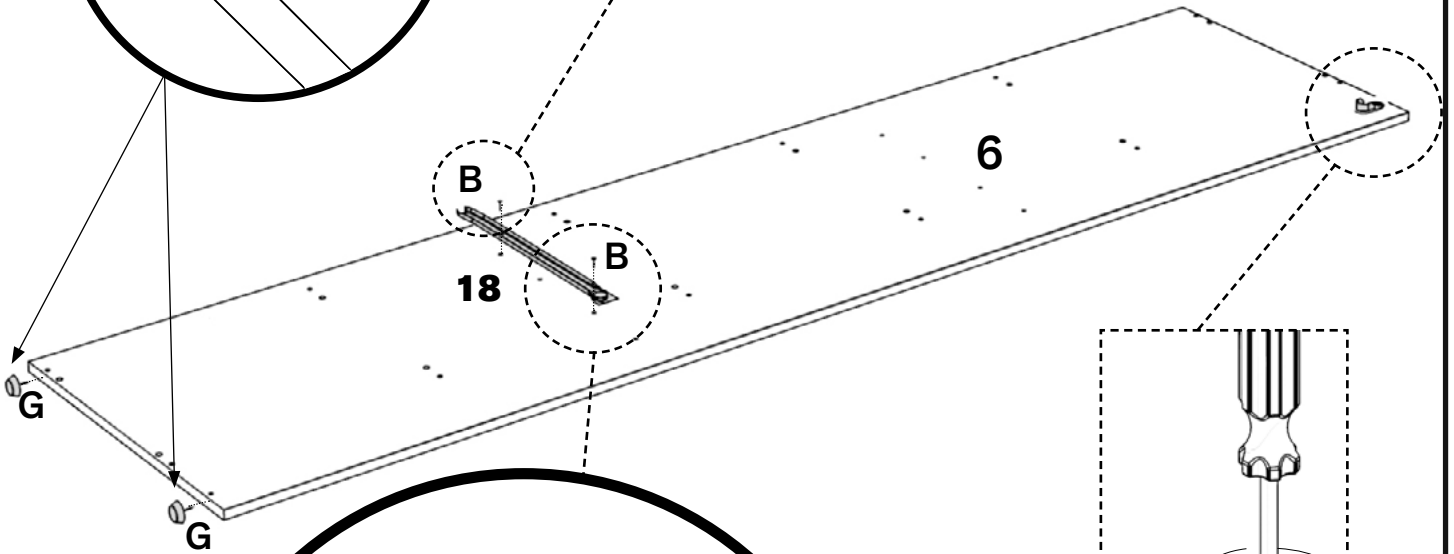
G x 02



15 mm.
B x 04 K x 01



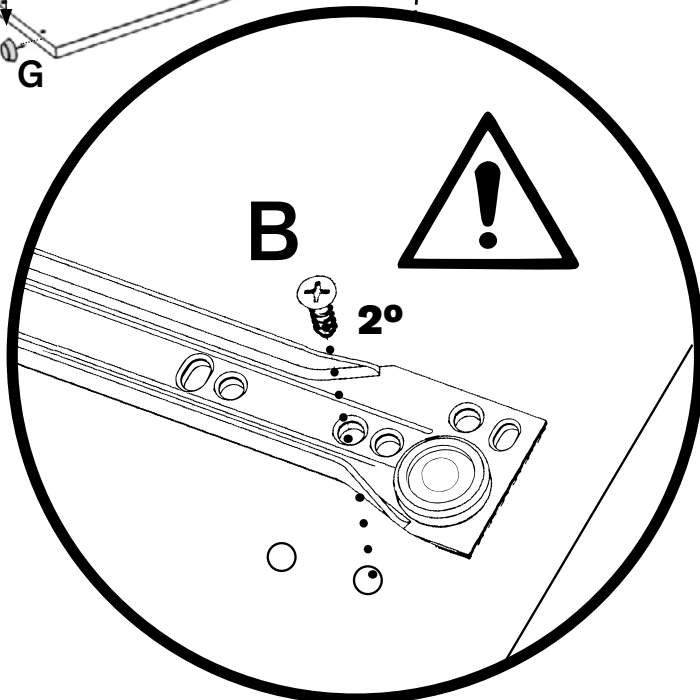
G



B

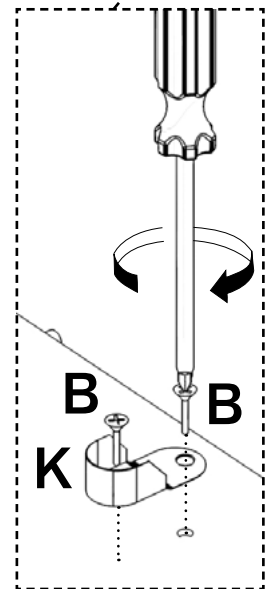
18

6



B

2°

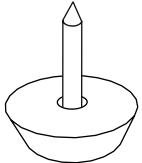


B

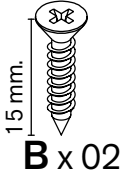
B

K

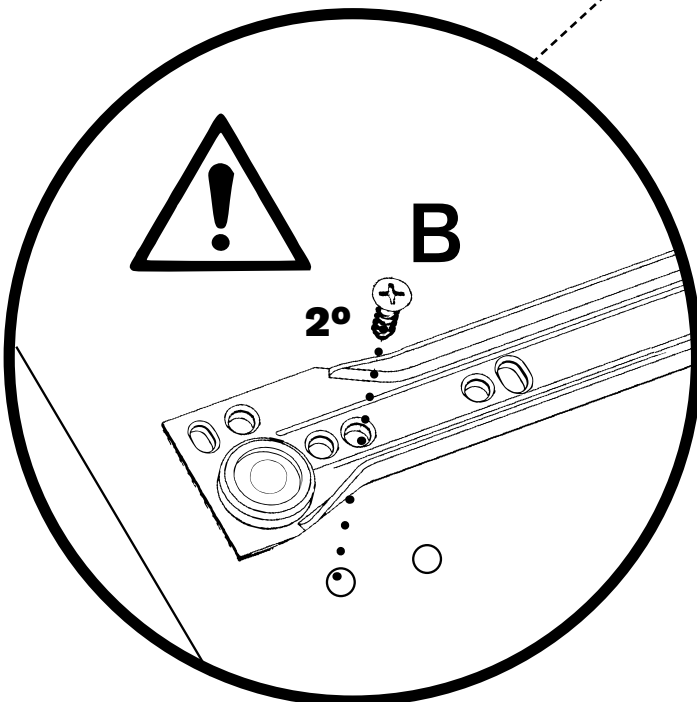
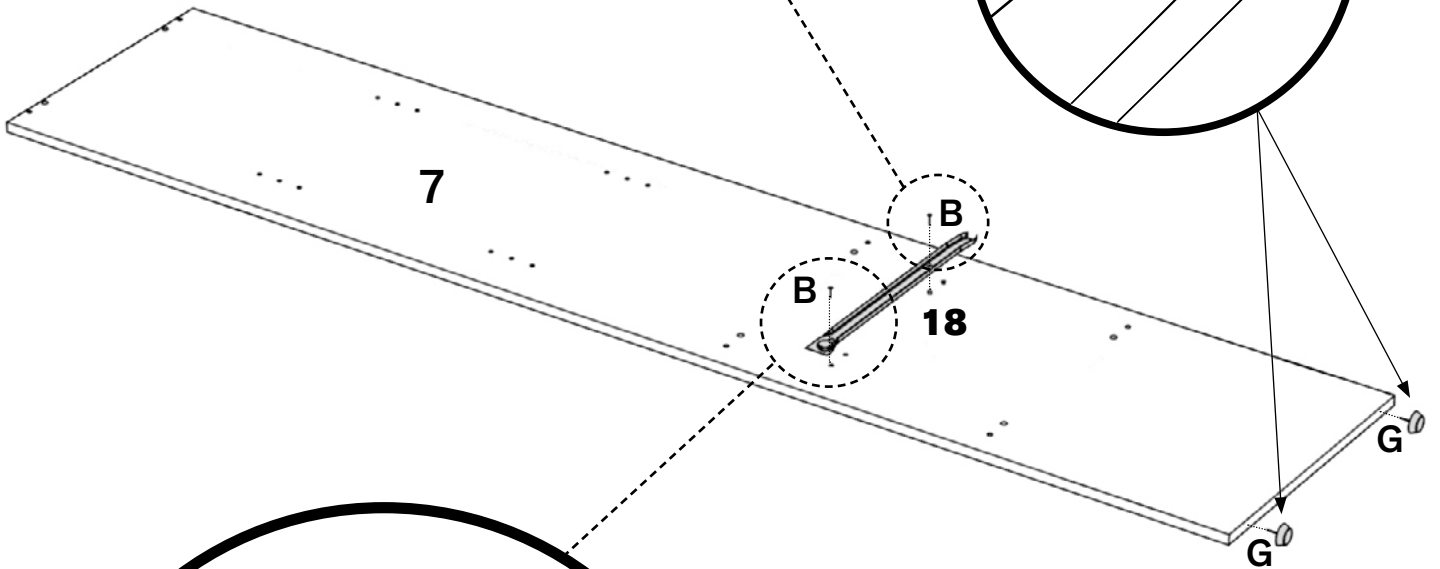
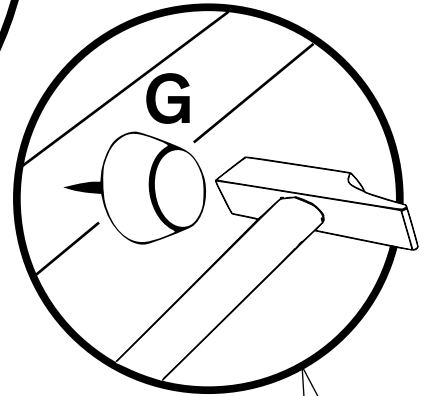
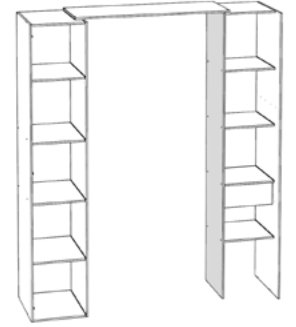
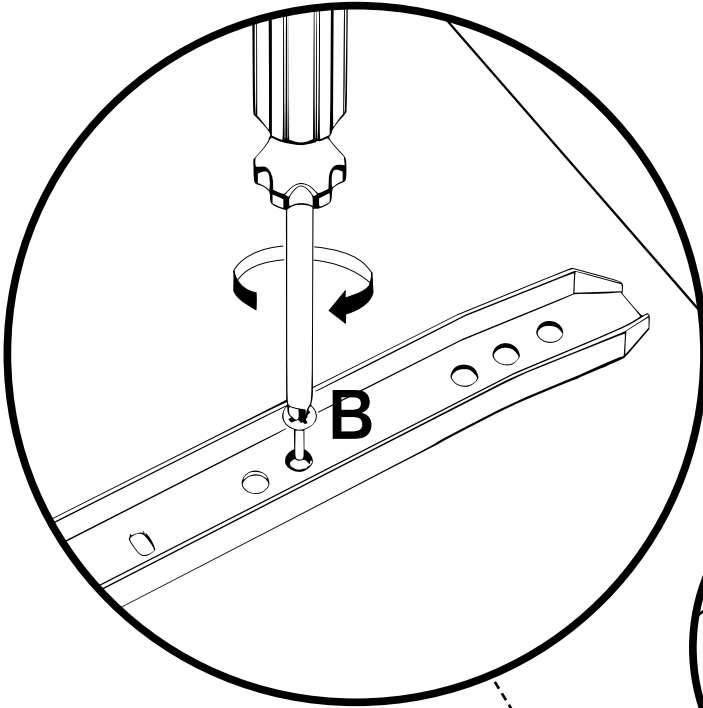
6



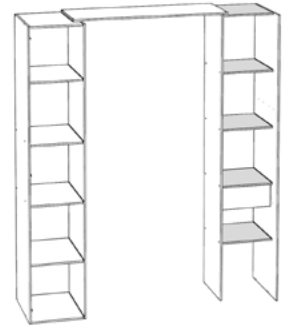
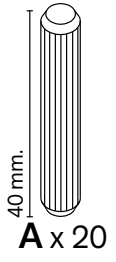
G x 02



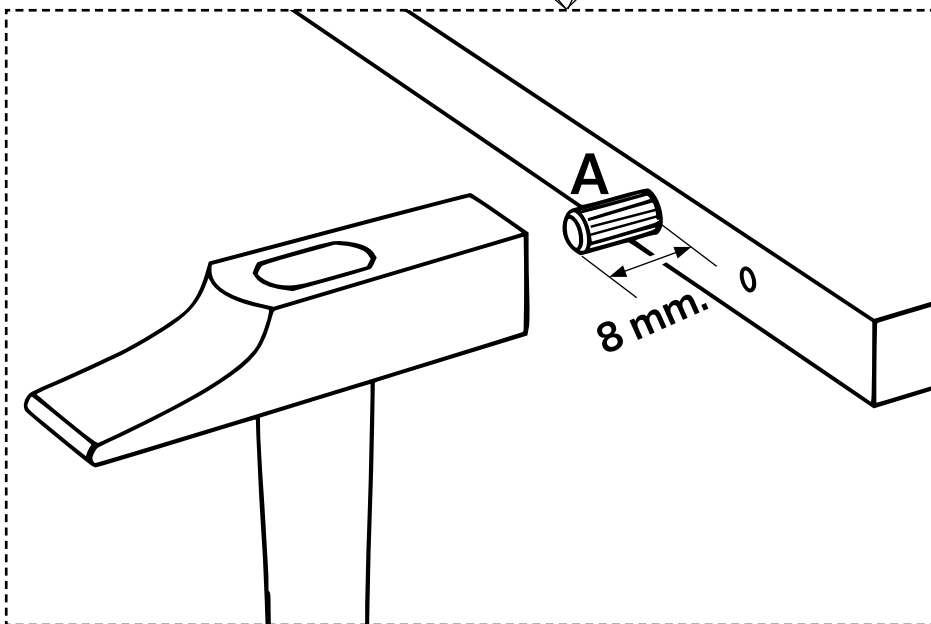
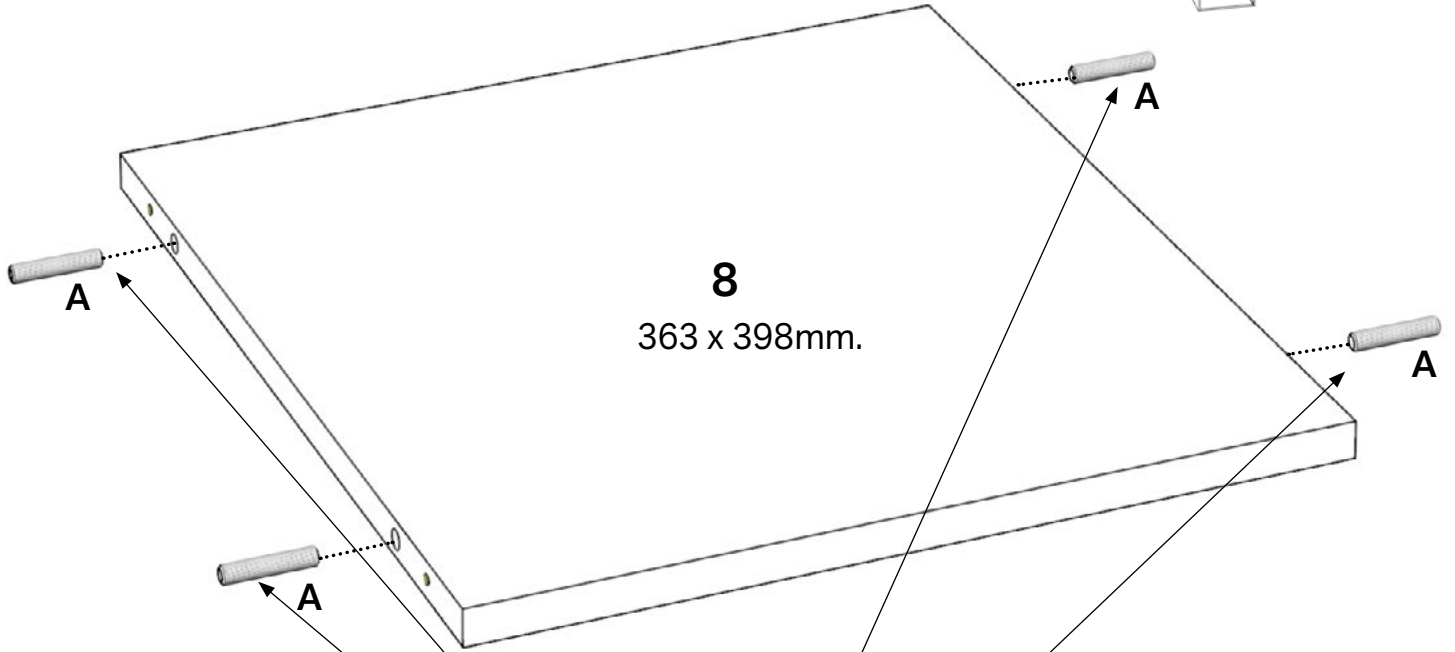
B x 02



7

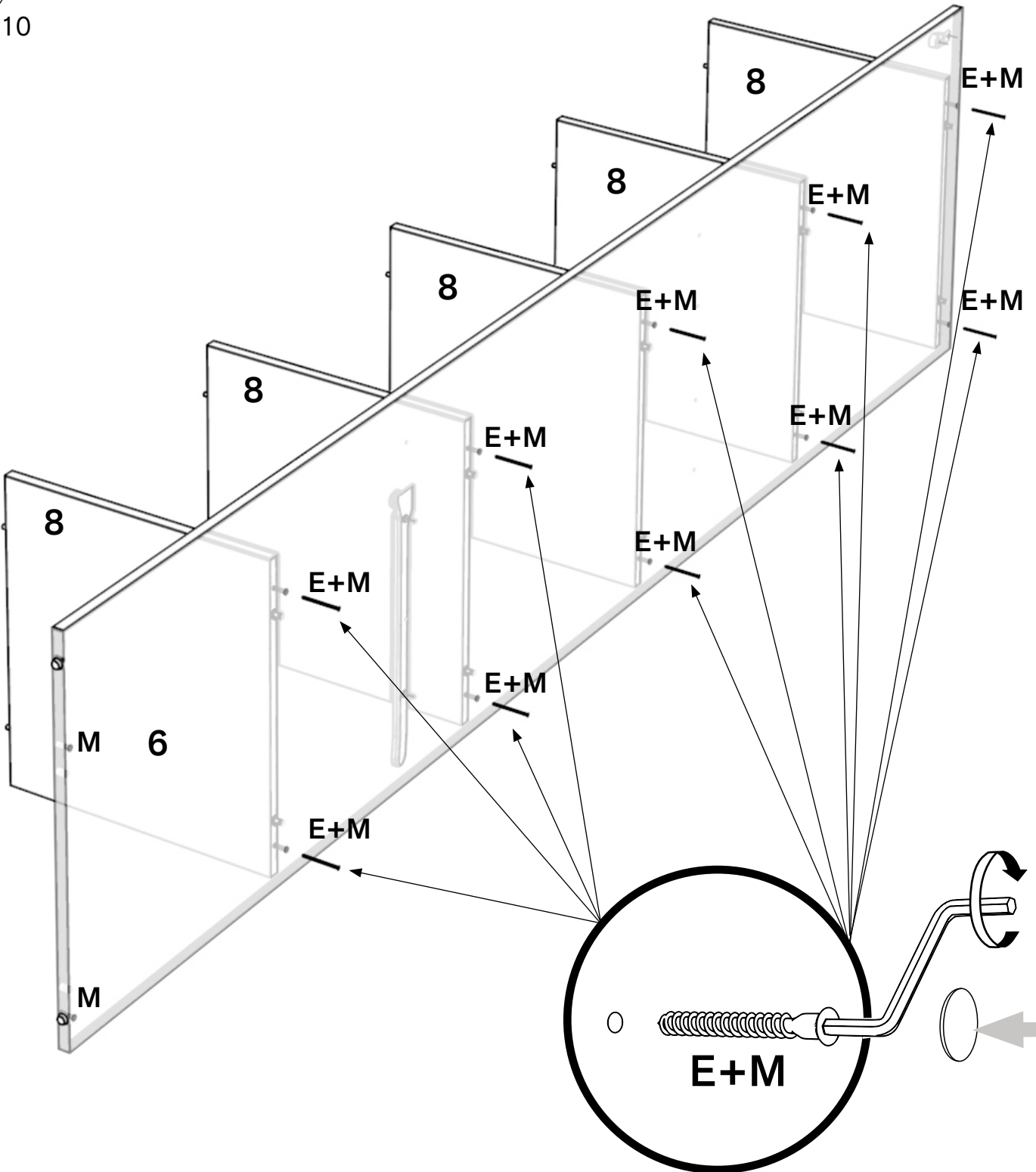
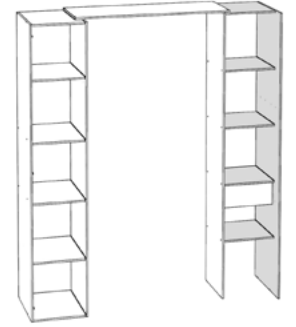
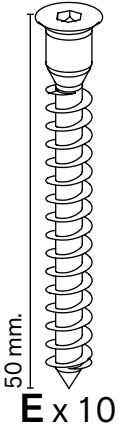


(X5)



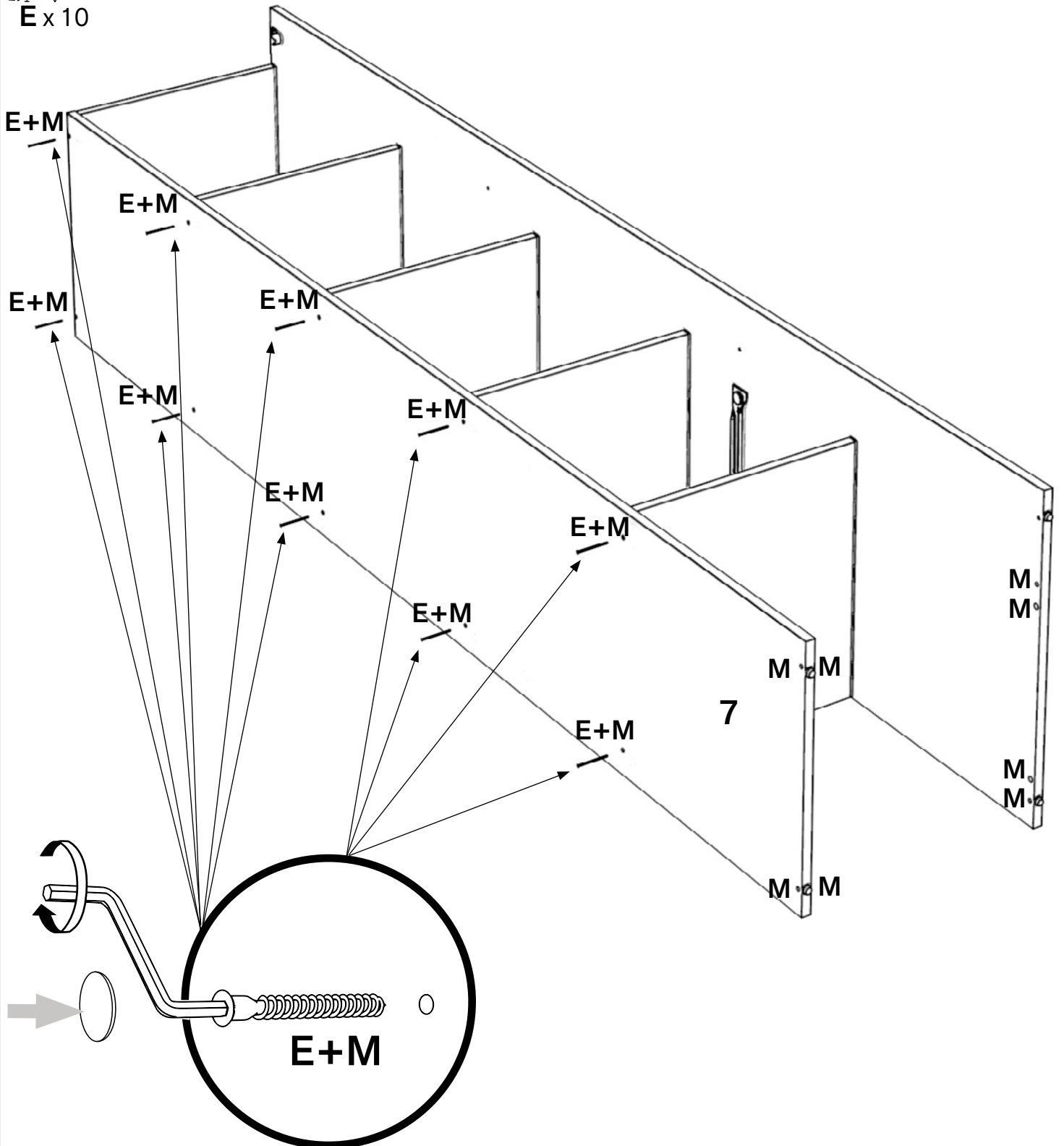
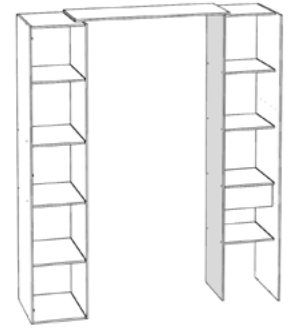
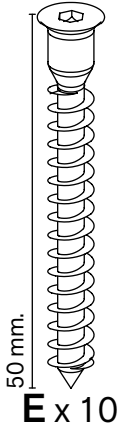
8

13 mm.
M x 12

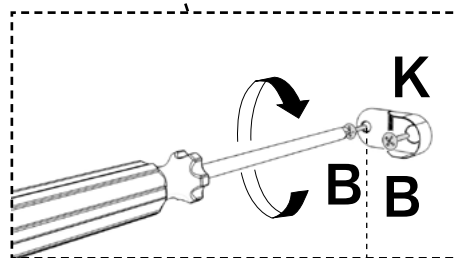
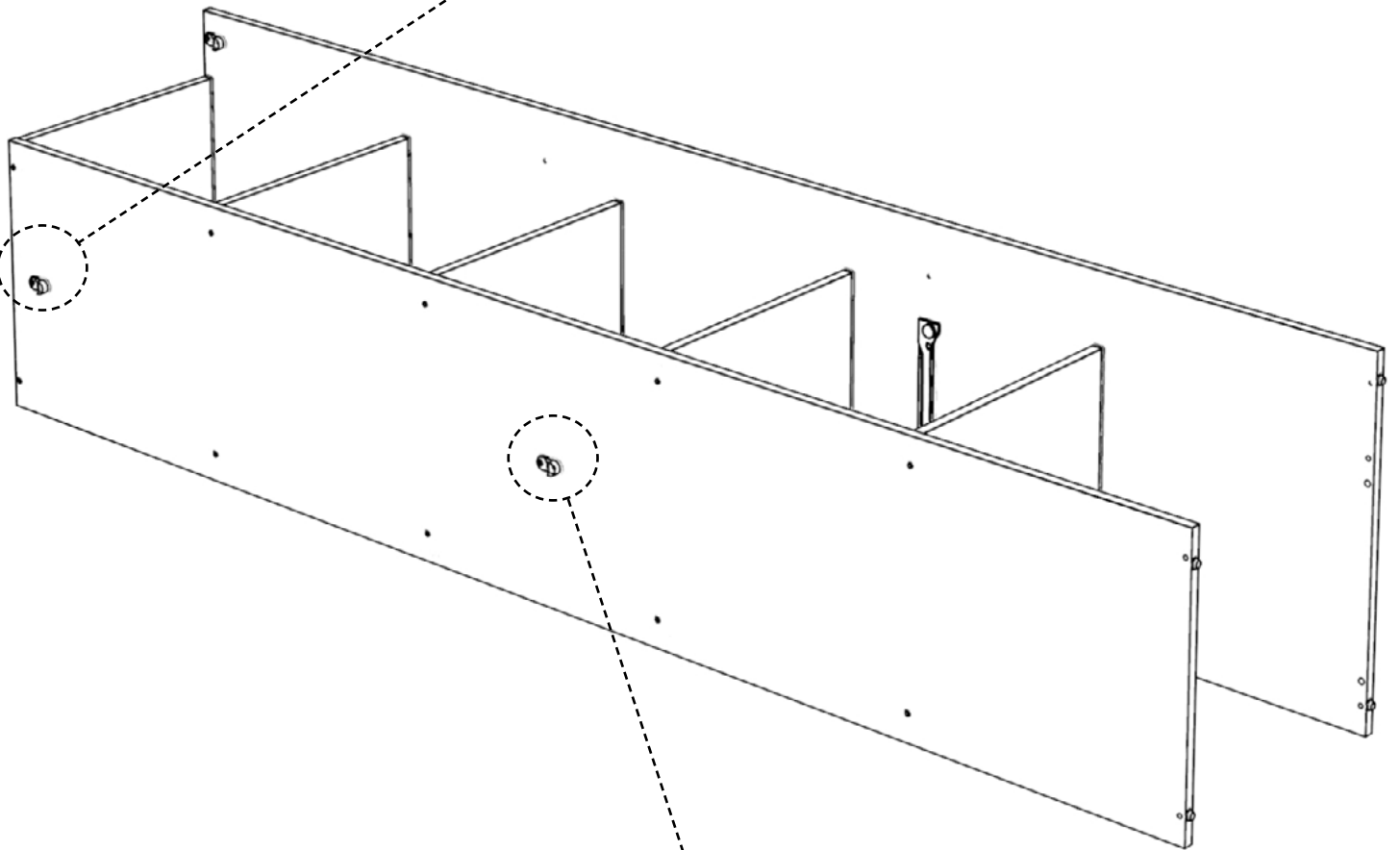
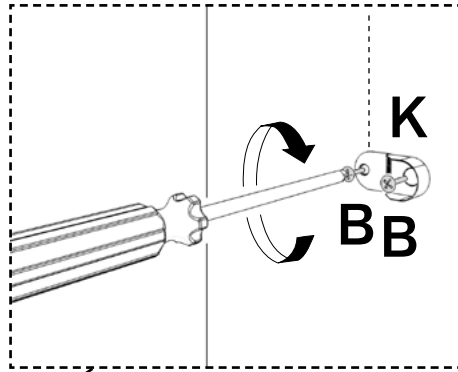
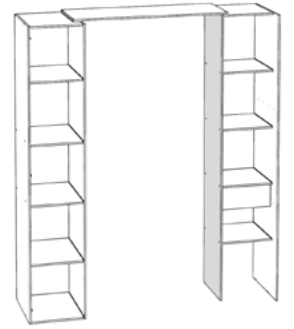
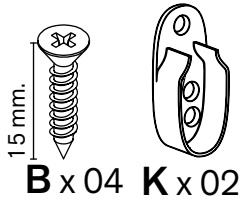


9

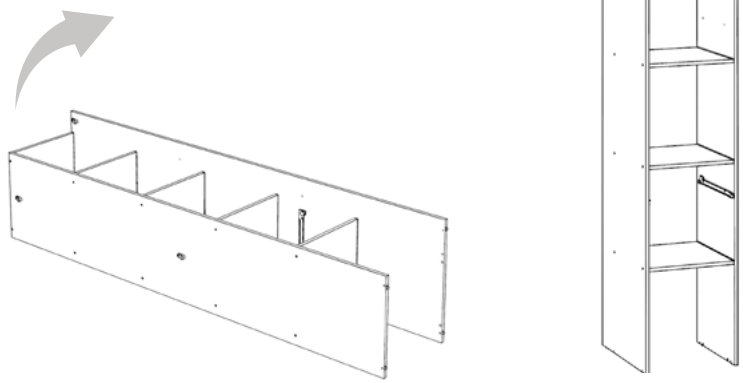
13 mm.
M x 18



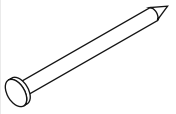
10



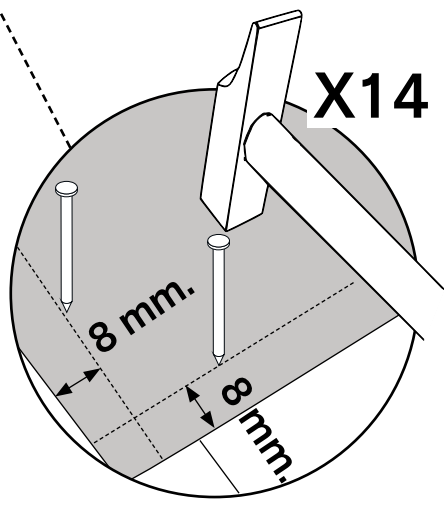
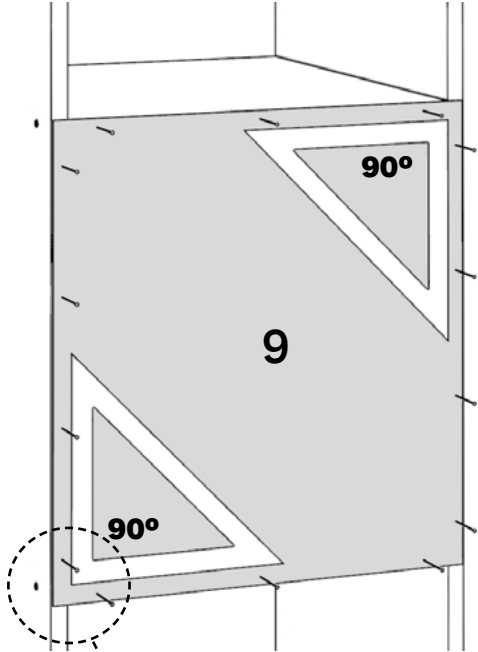
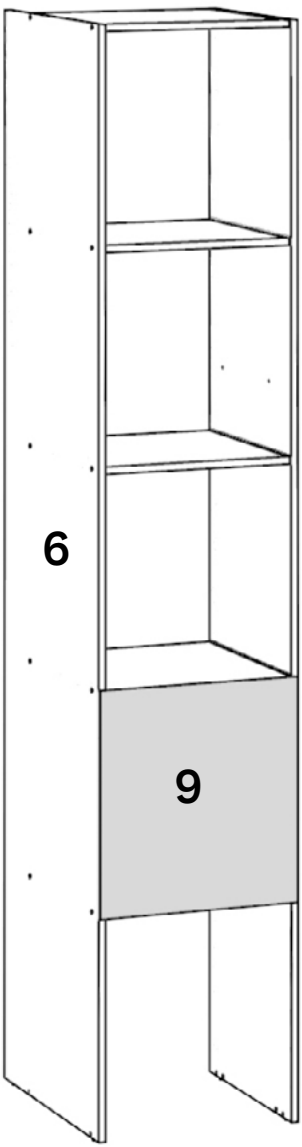
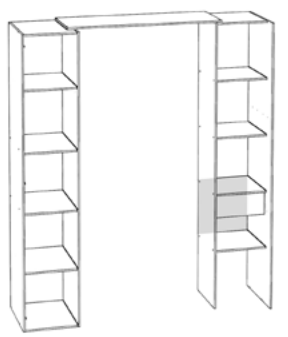
11



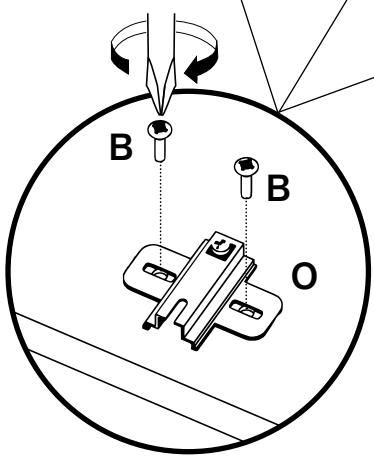
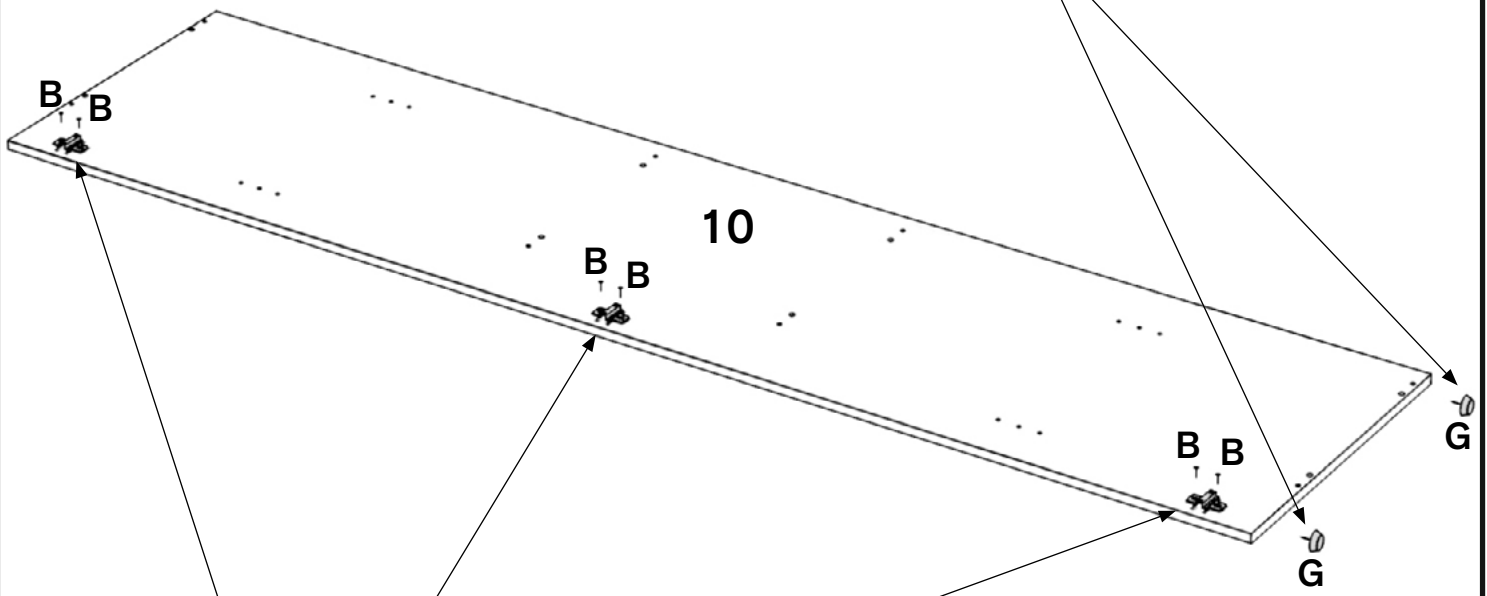
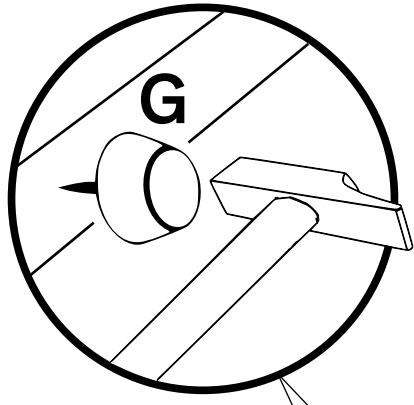
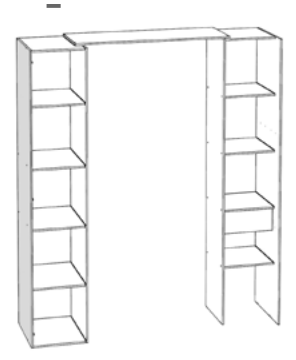
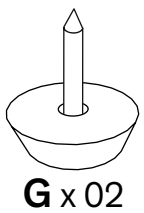
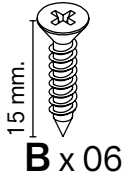
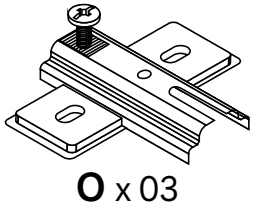
12



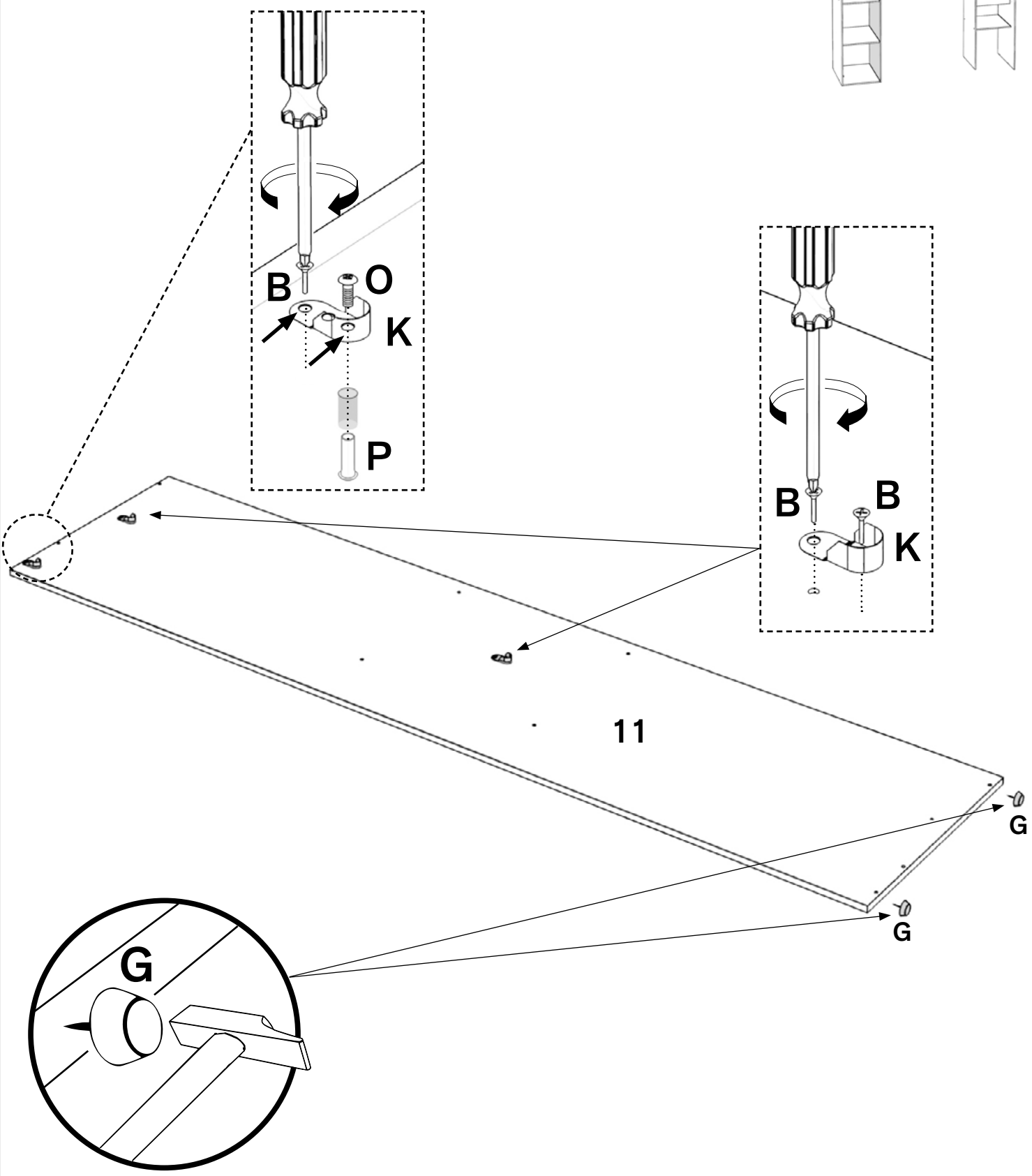
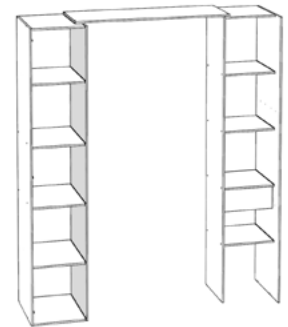
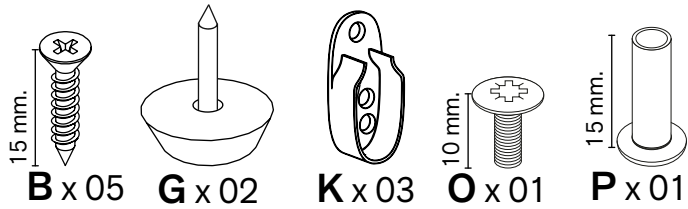
1 x 14



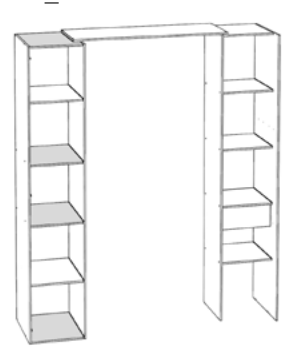
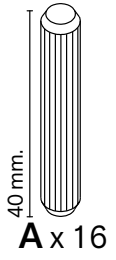
13



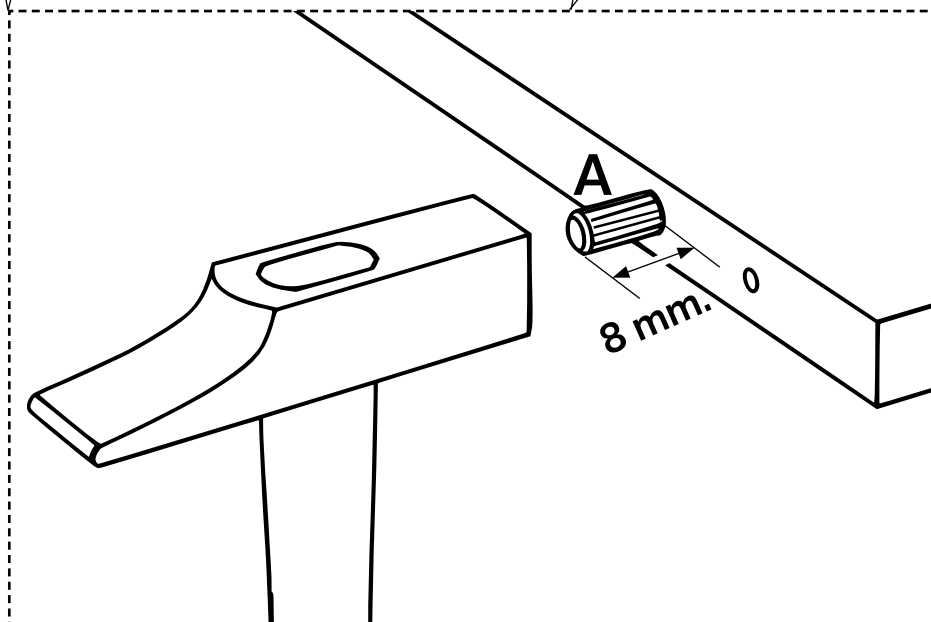
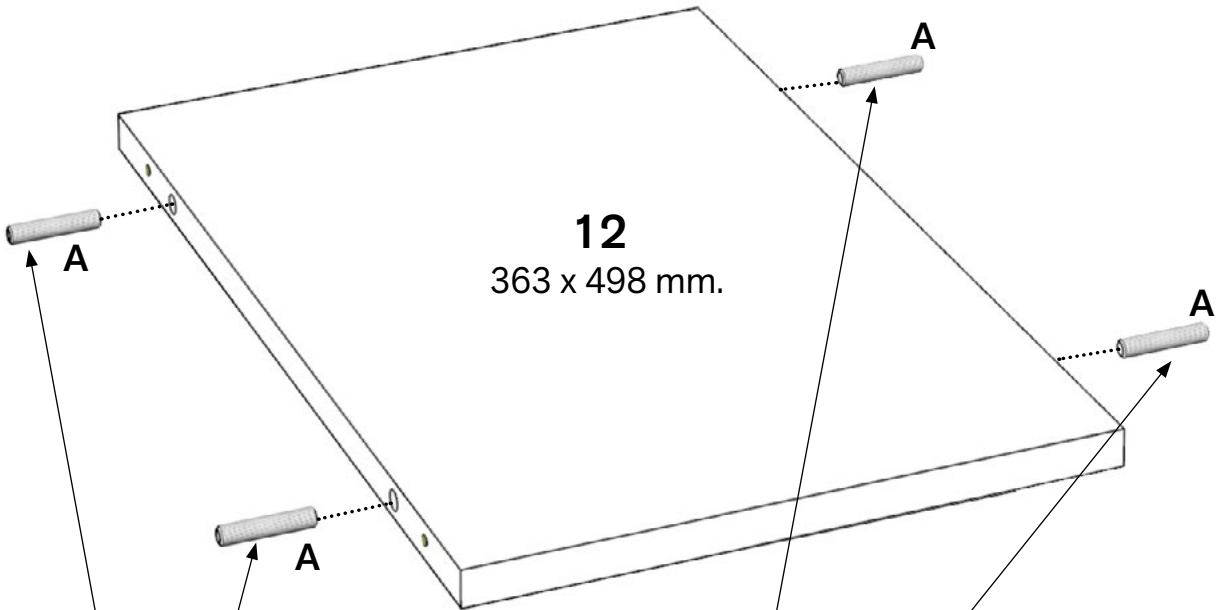
14



15

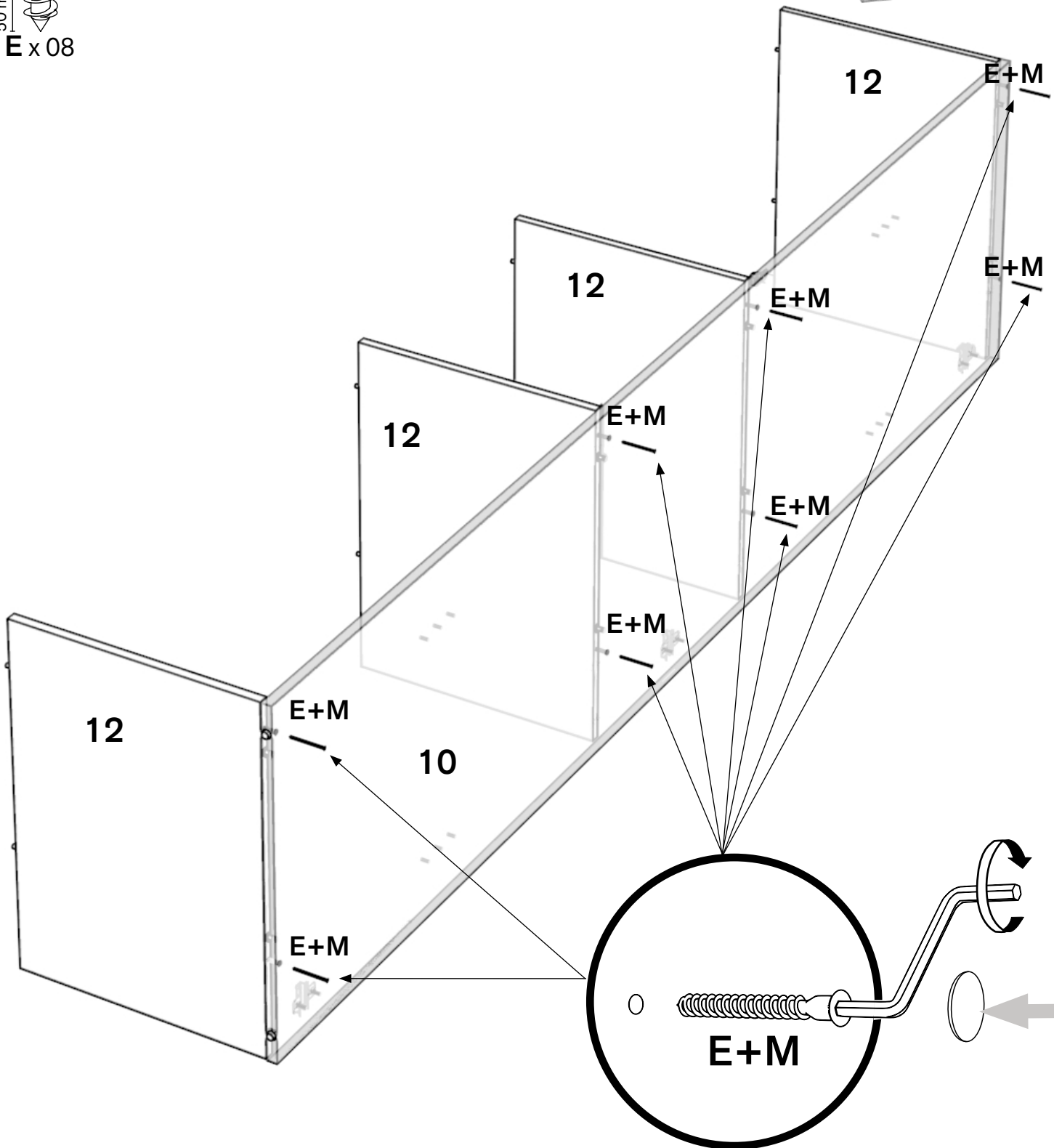
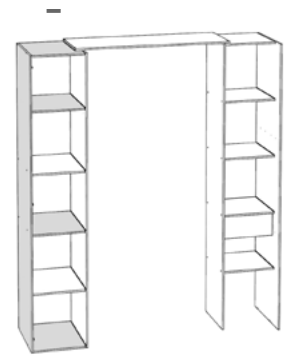
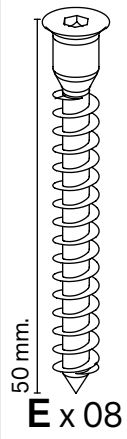


(X4)



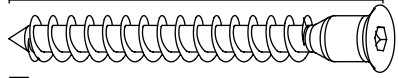
16

13 mm.
M x 08



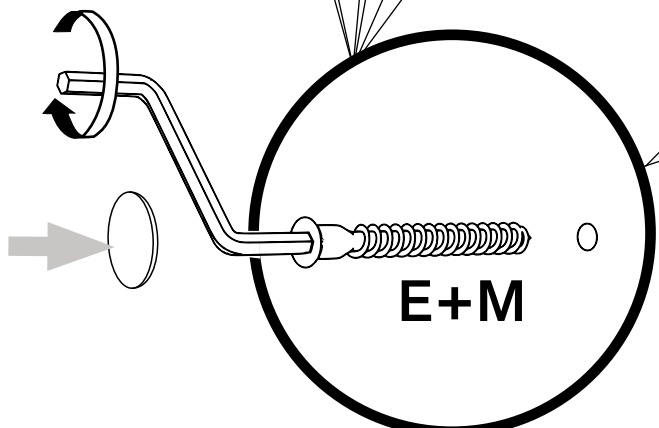
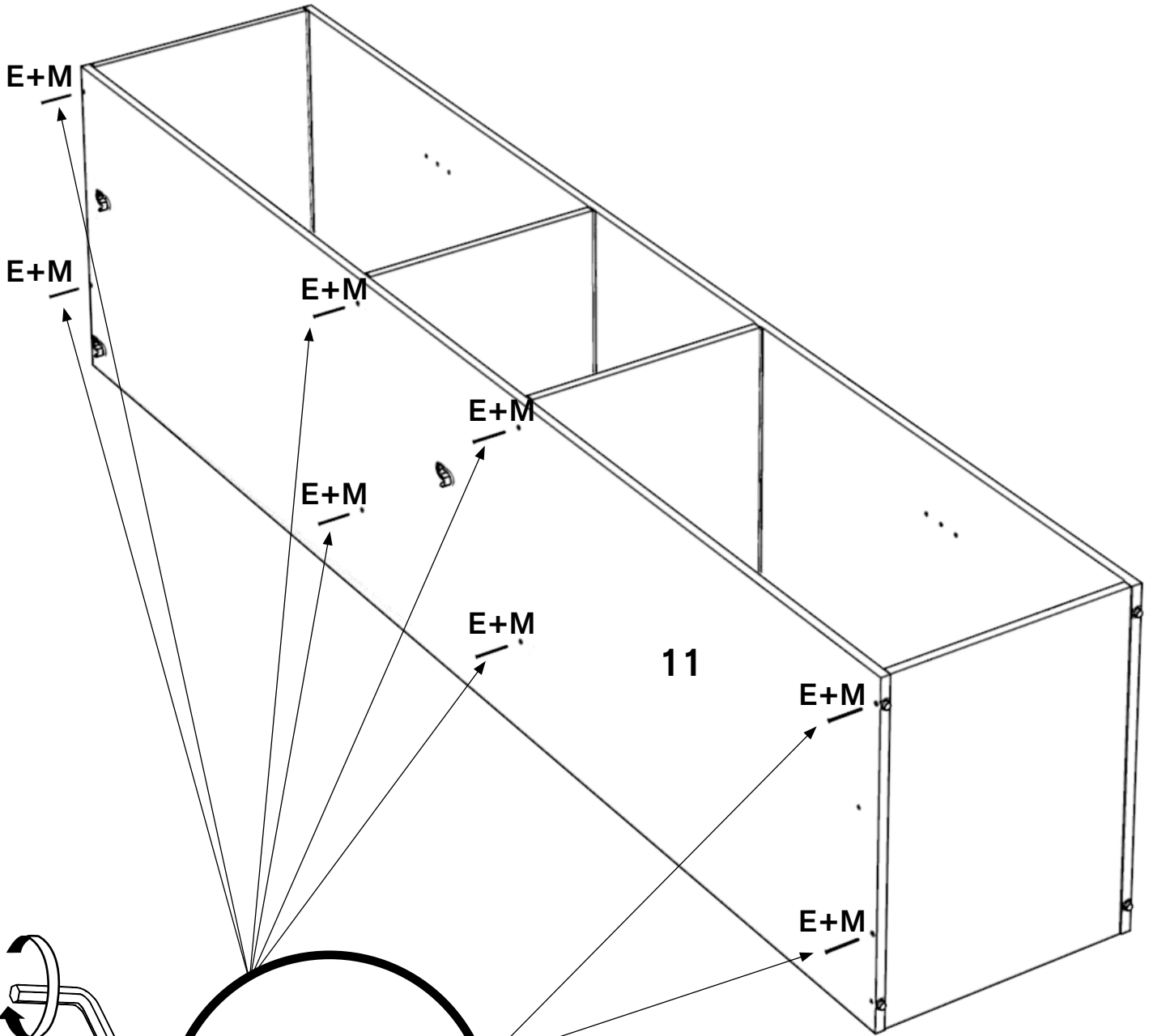
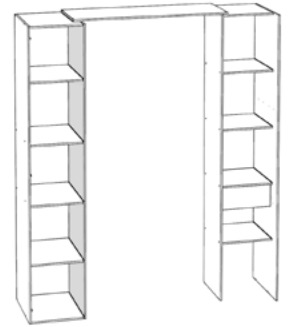
17

50 mm.

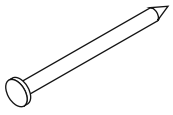


13 mm.
M x 08

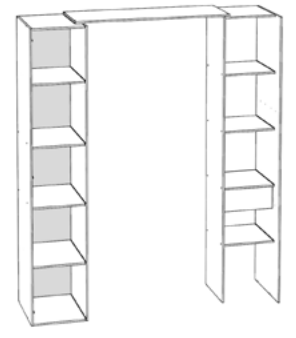
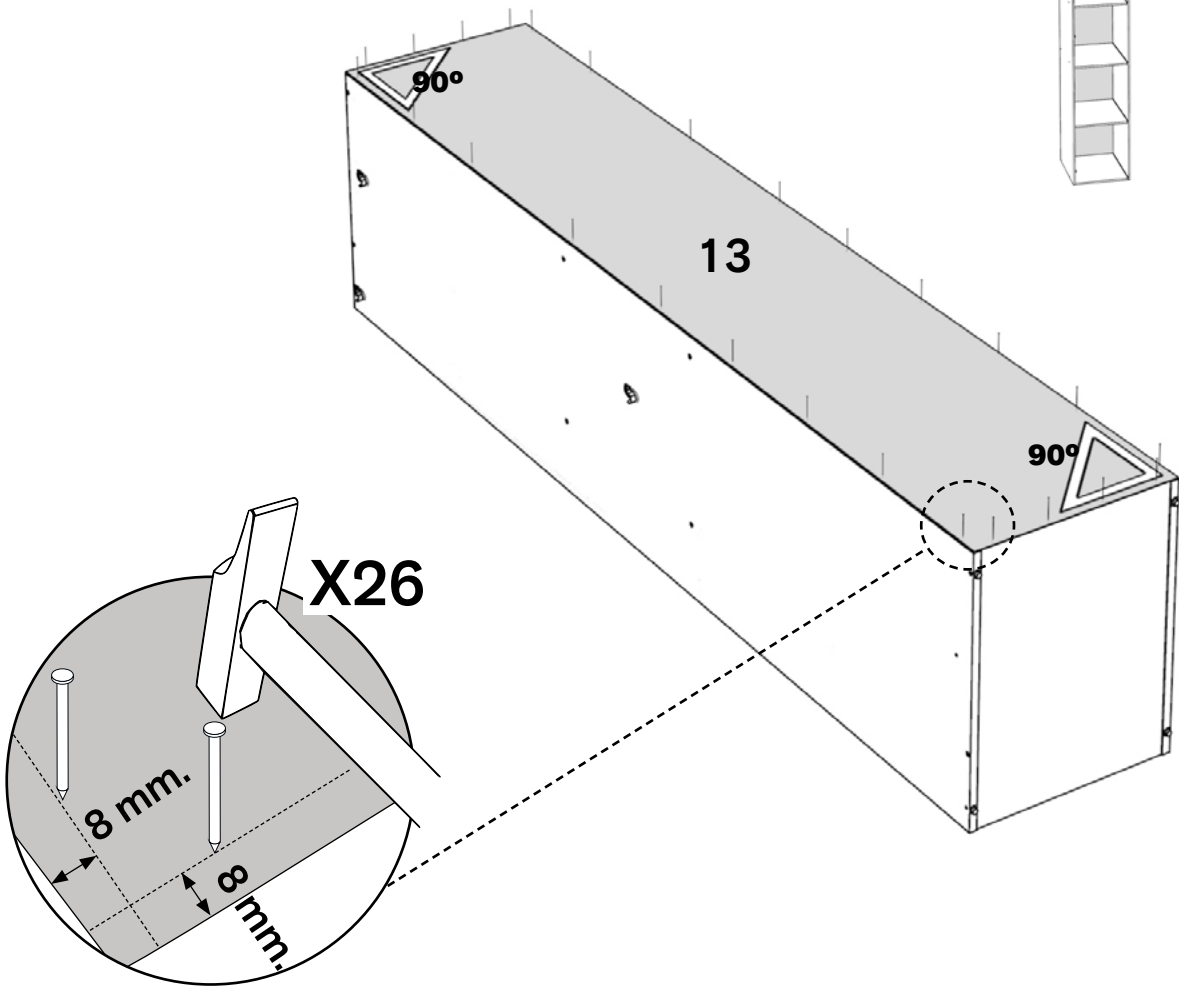
E x 08



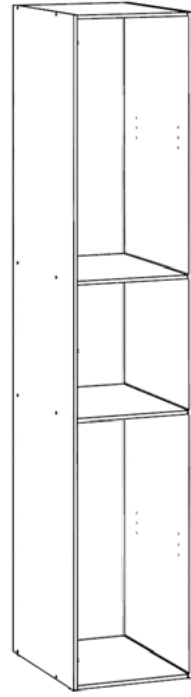
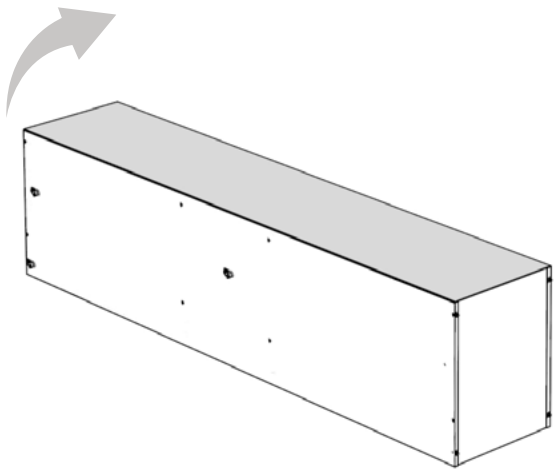
18



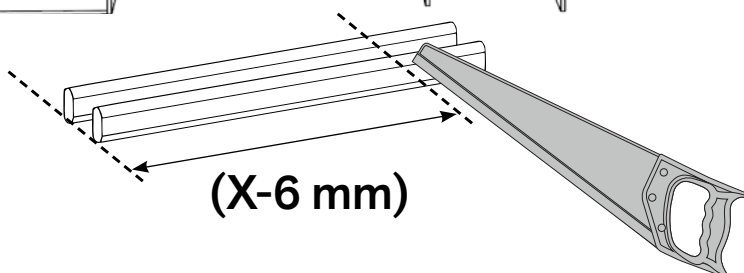
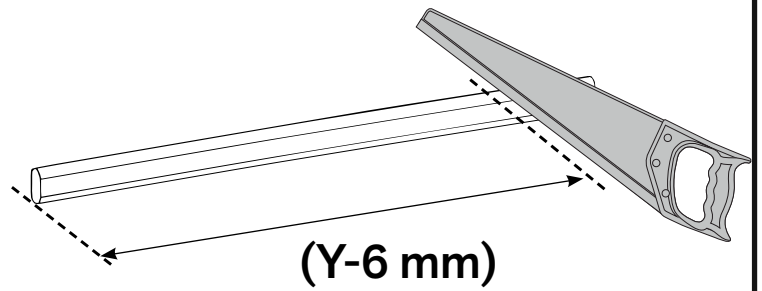
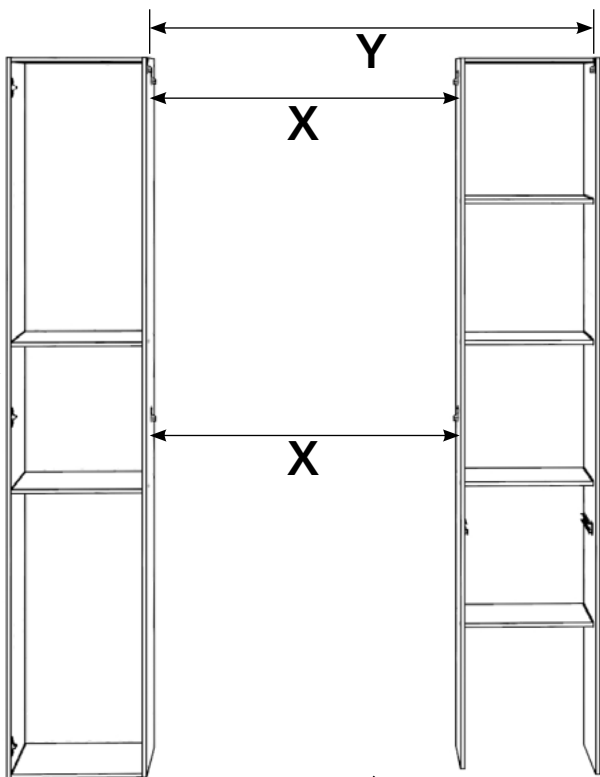
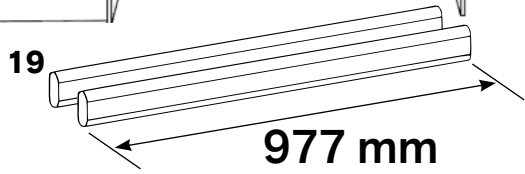
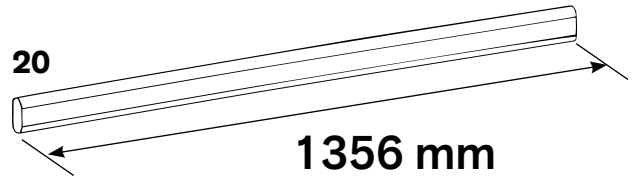
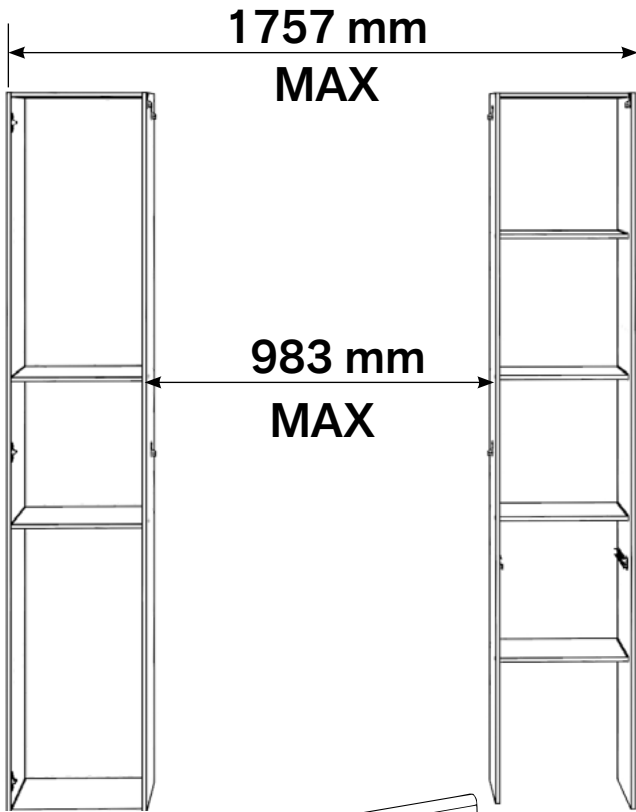
1 x 26



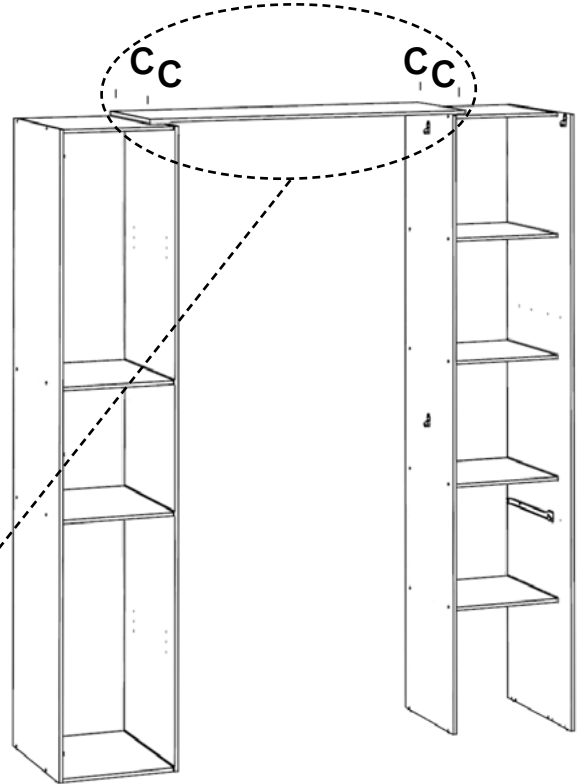
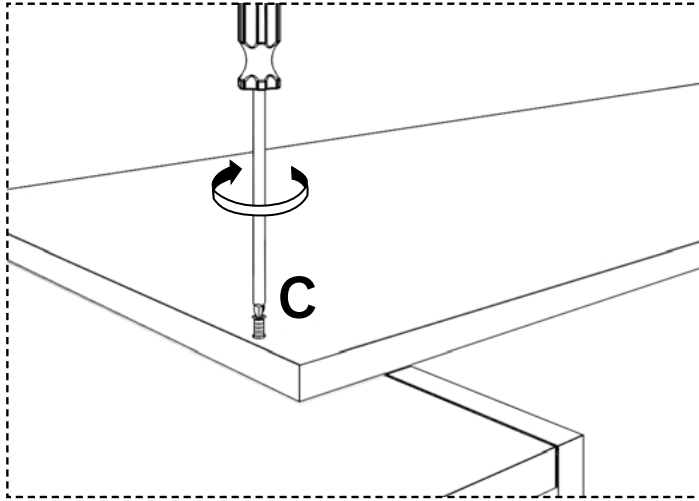
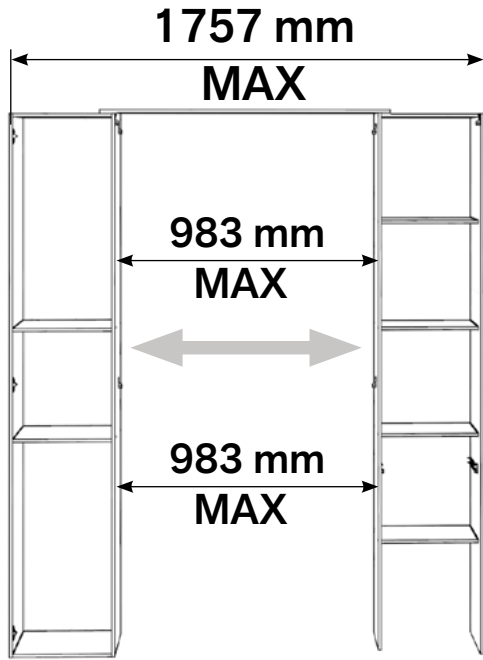
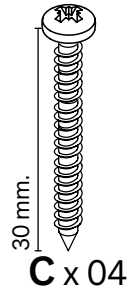
19



20

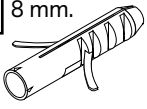


21



22

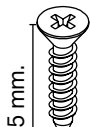
8 mm.



H x 02

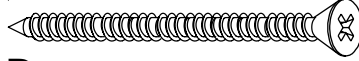


J x 02

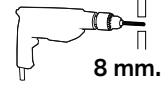


B x 02

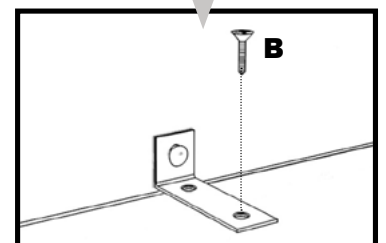
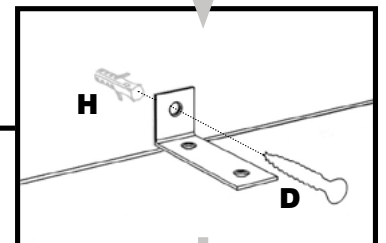
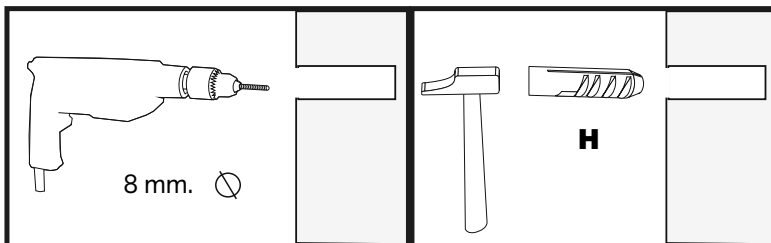
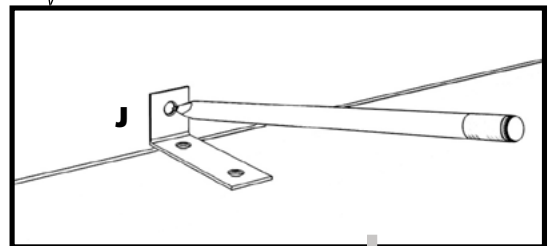
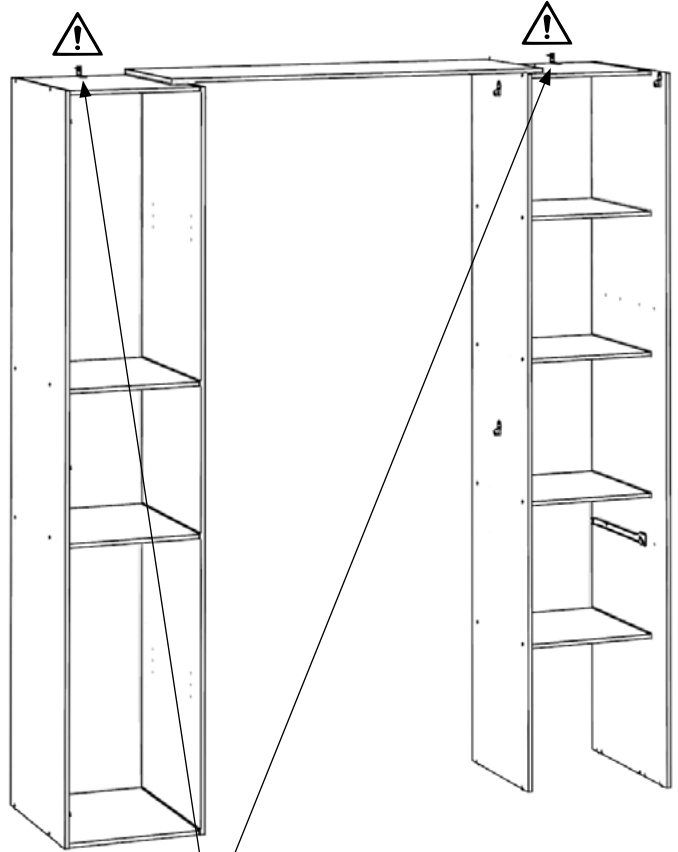
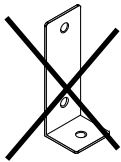
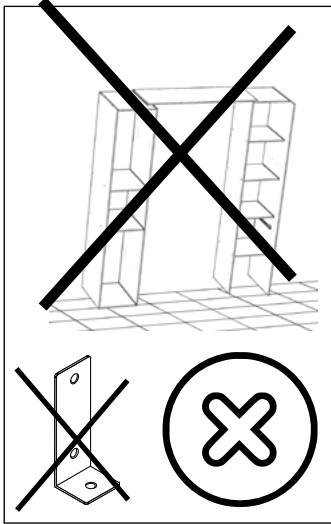
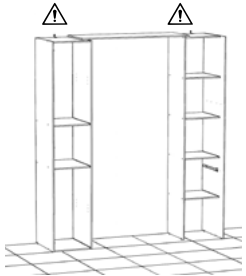
45 mm.



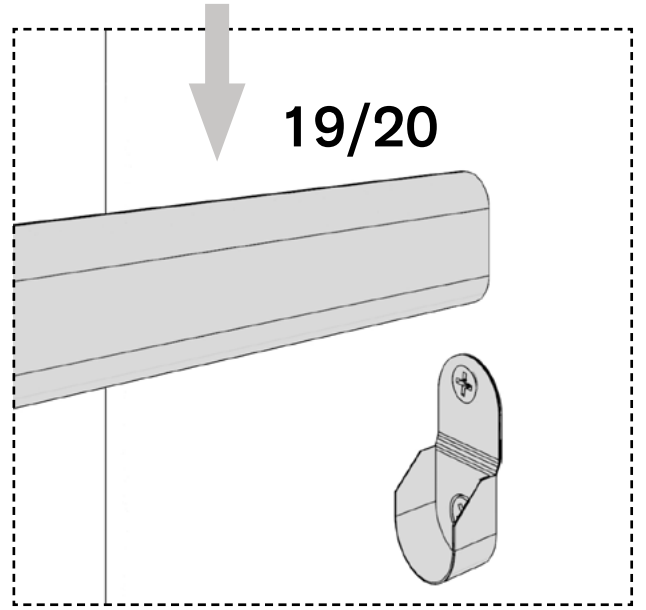
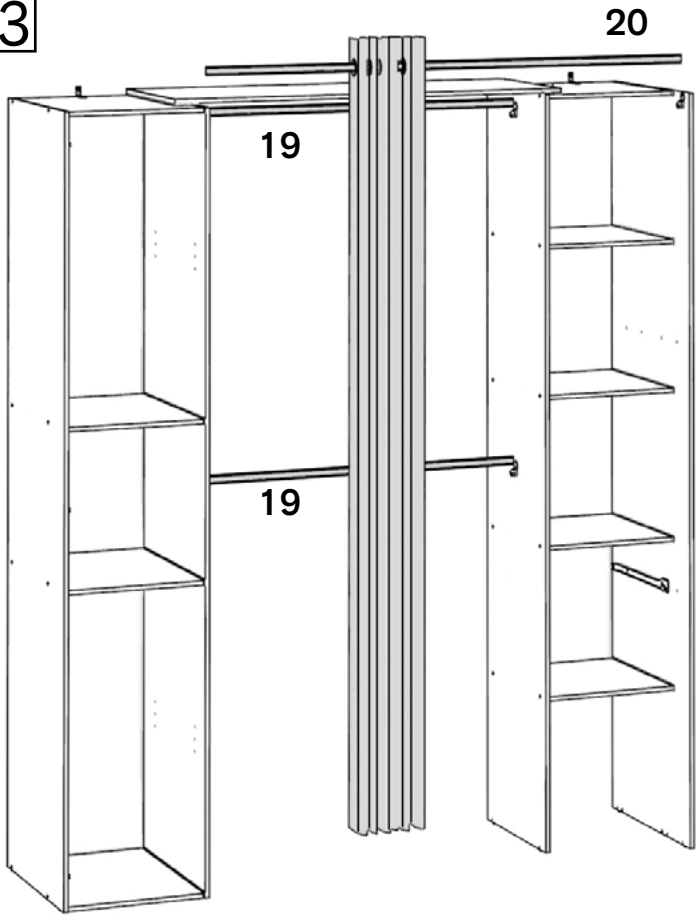
D x 02



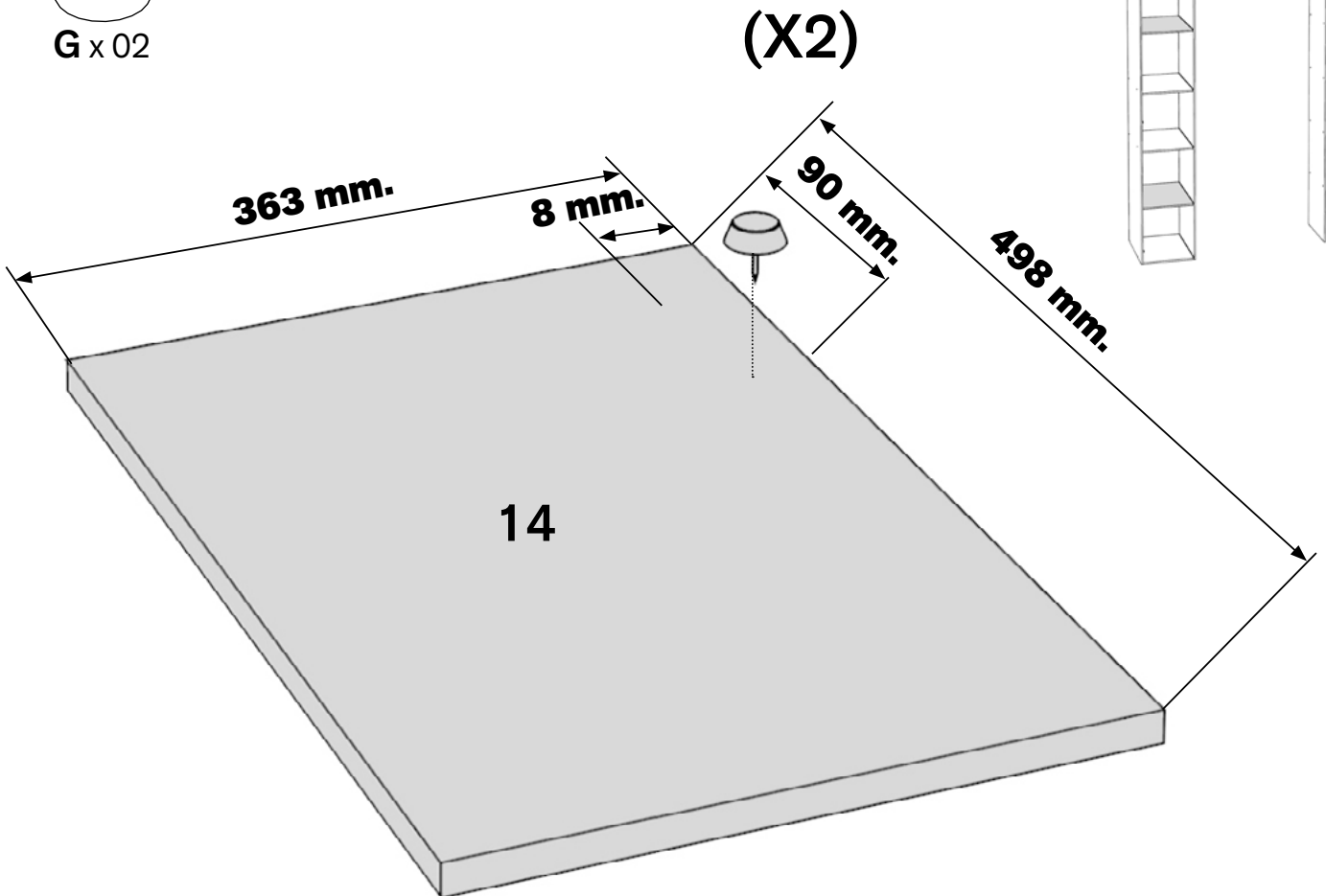
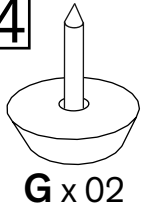
8 mm.



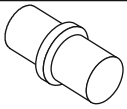
23



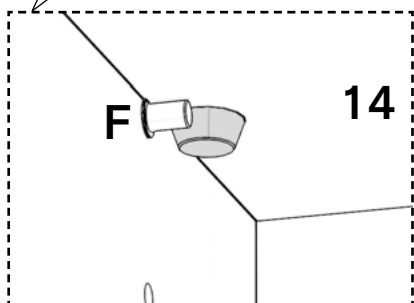
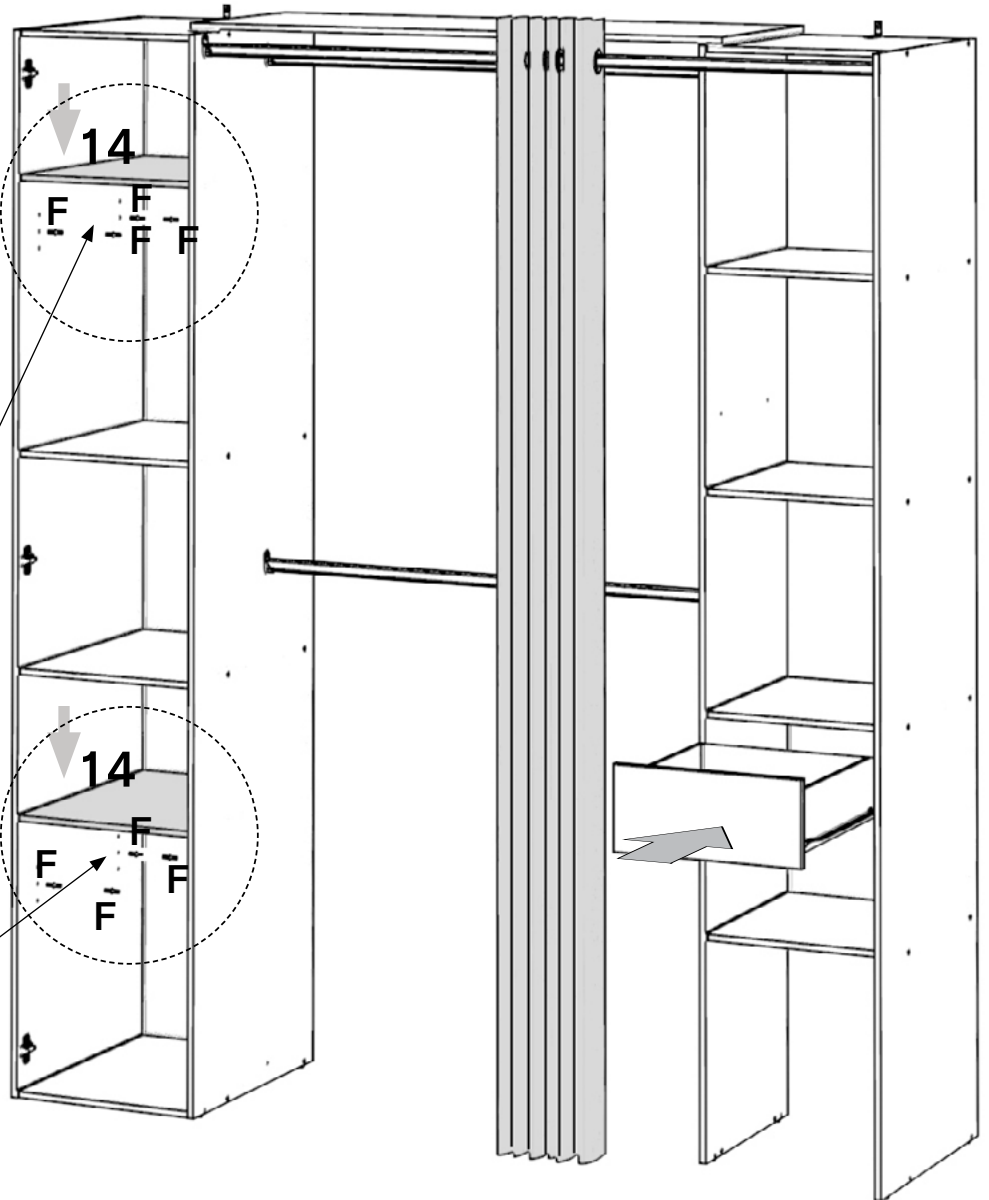
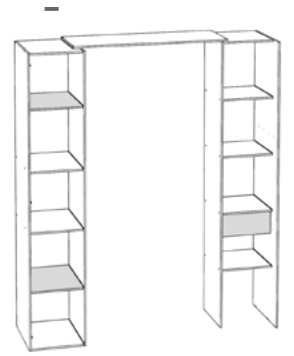
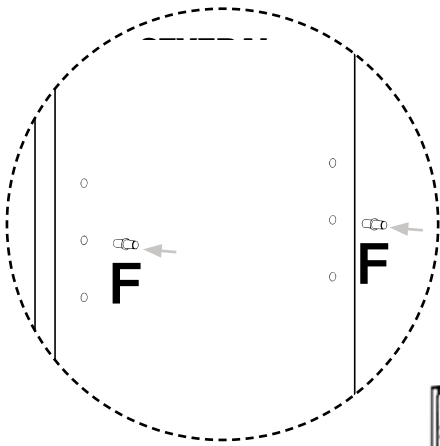
24



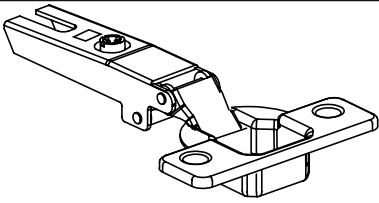
25



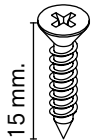
F x 08



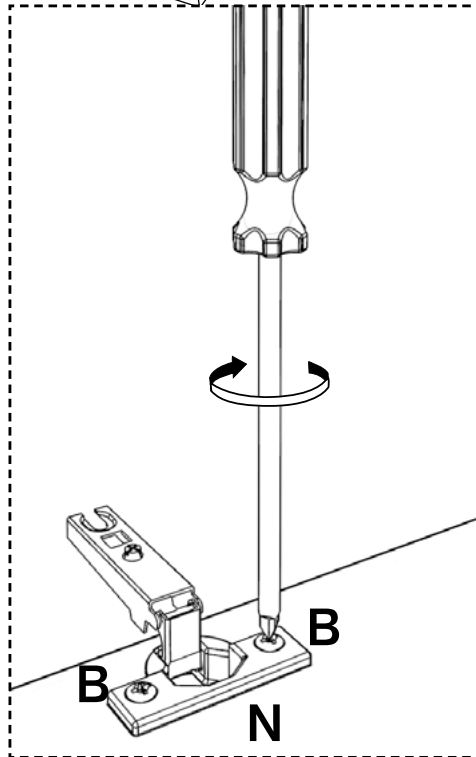
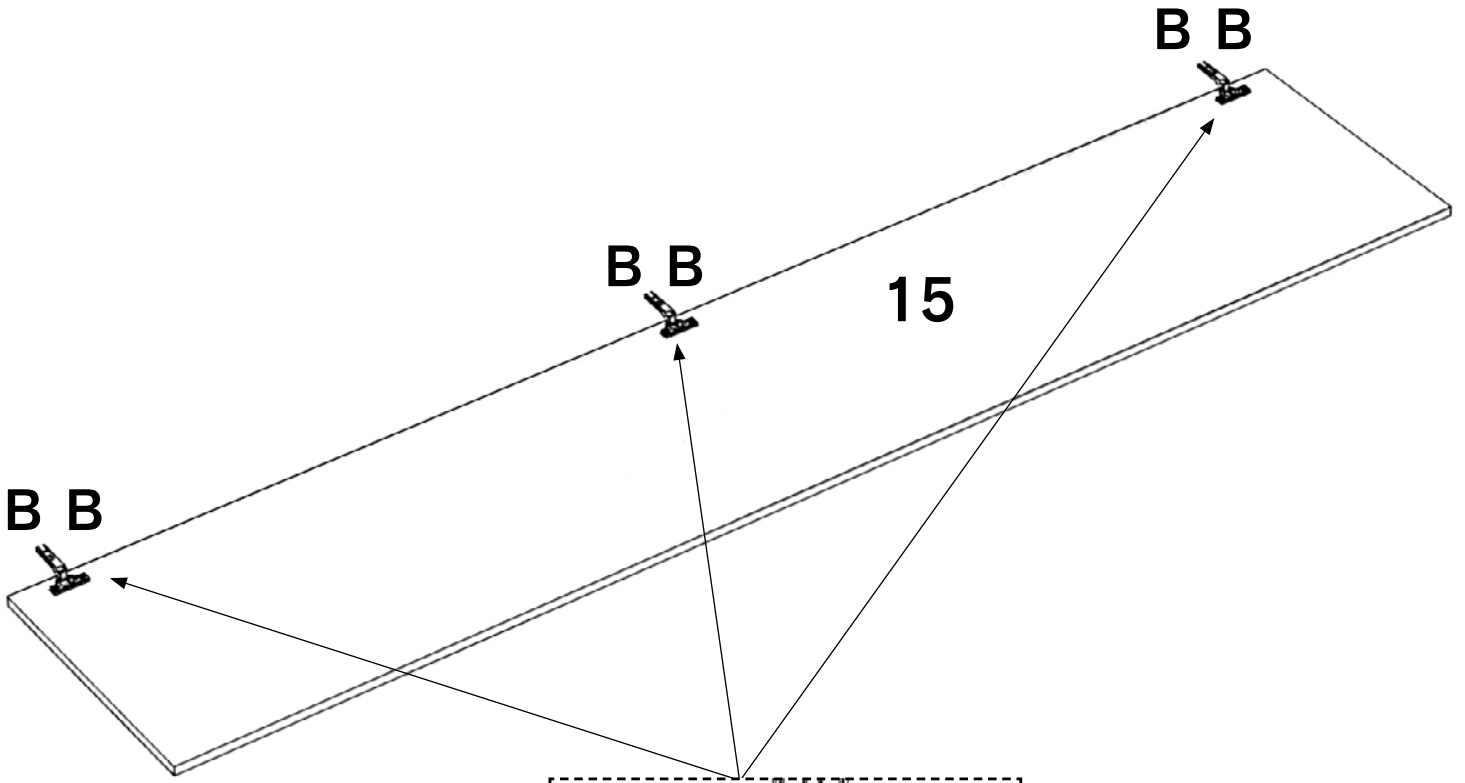
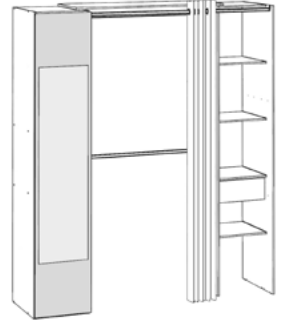
26

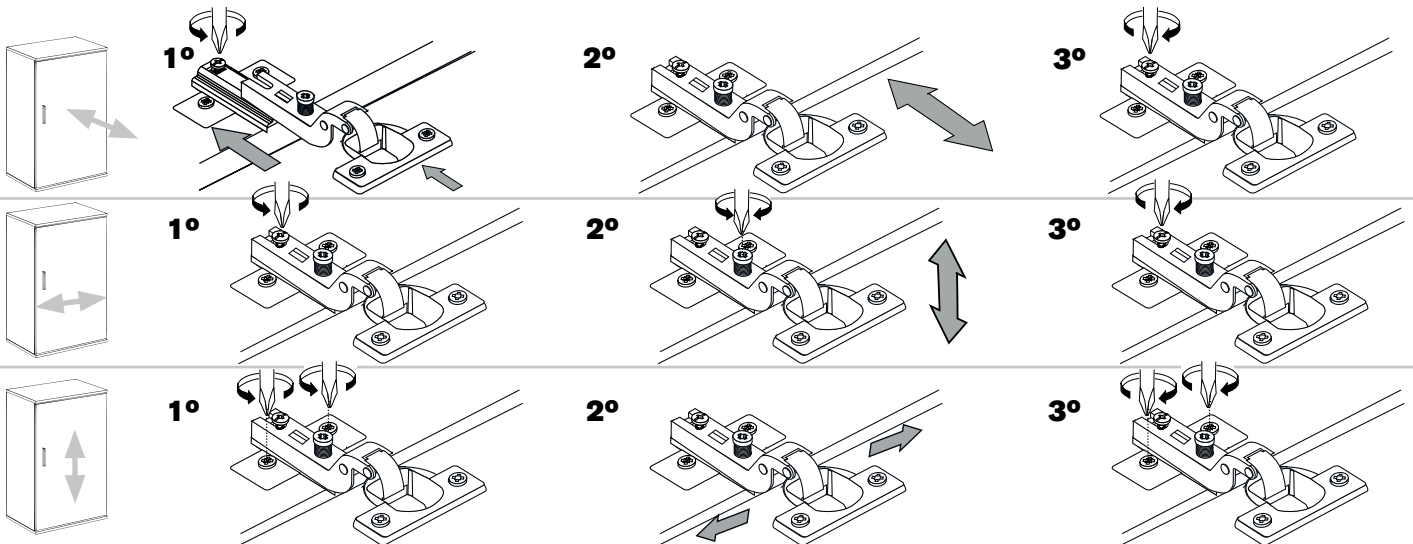
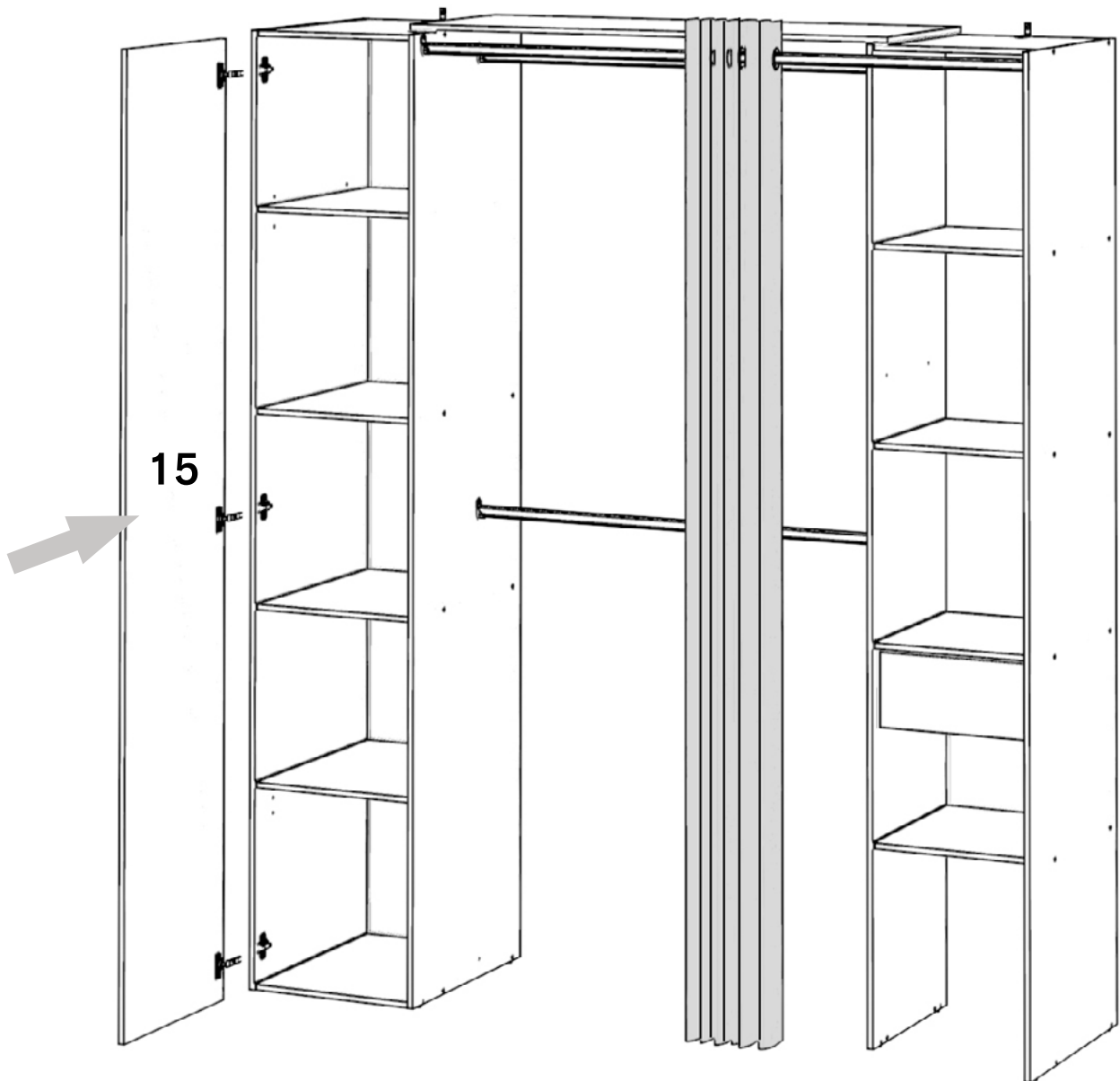


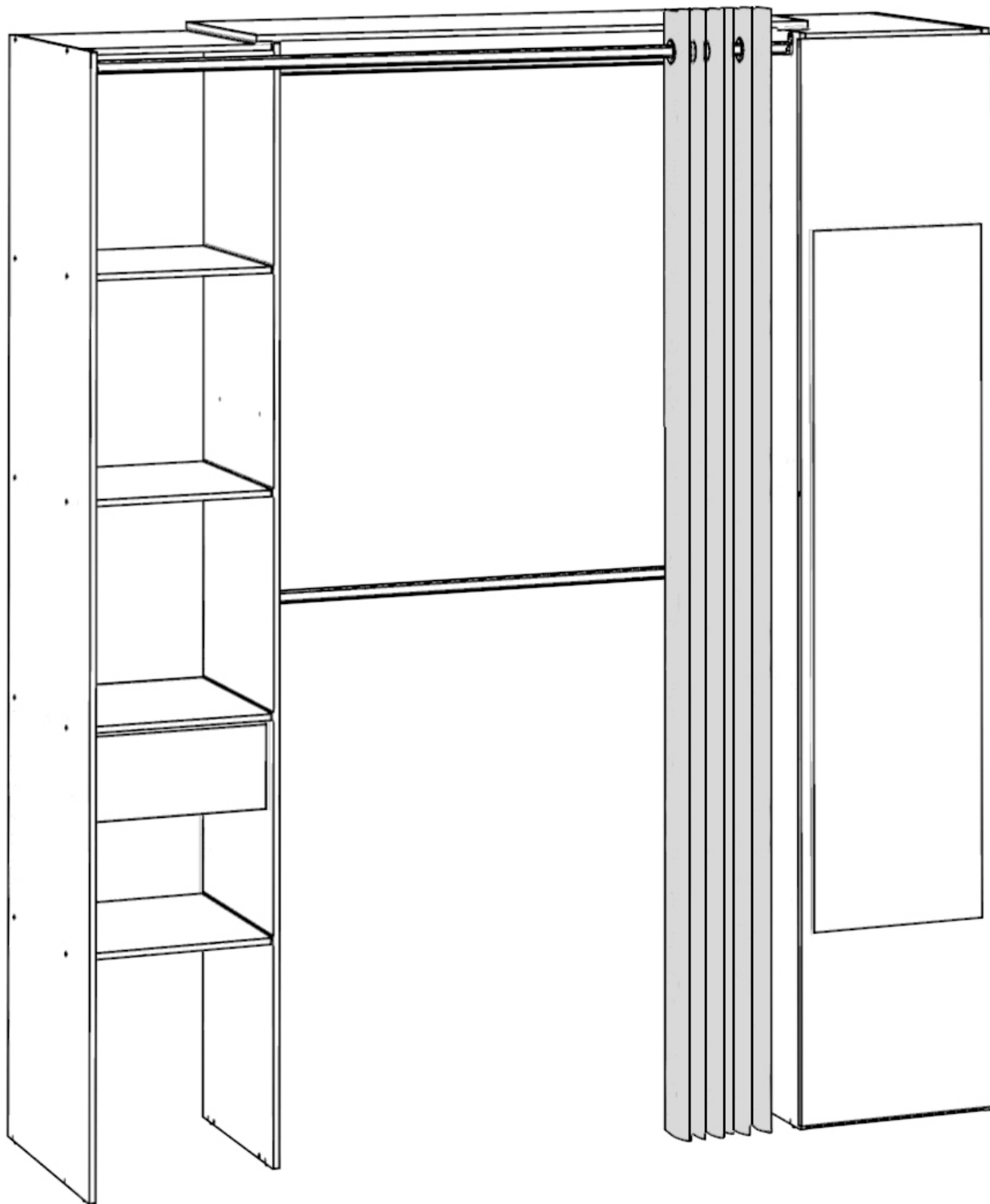
N x 03



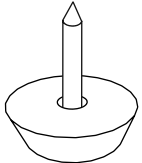
15 mm.
B x 06



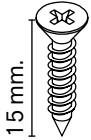




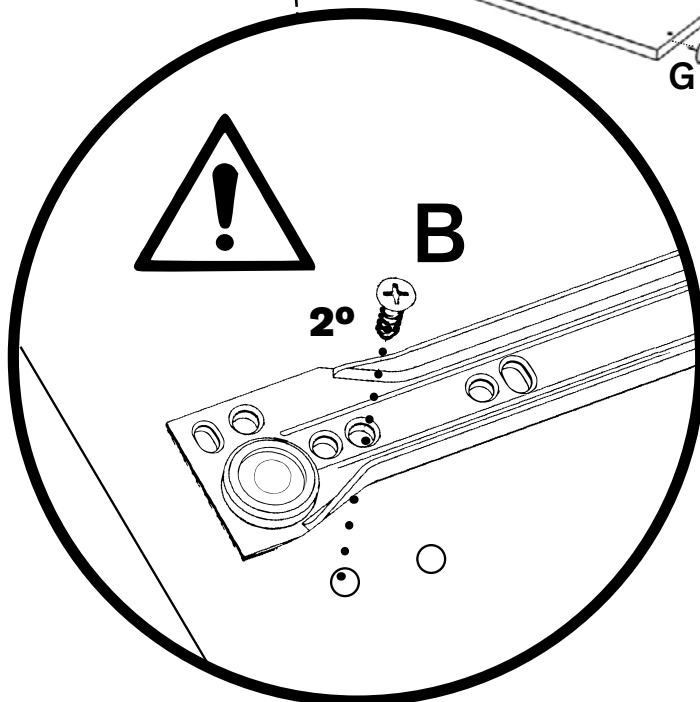
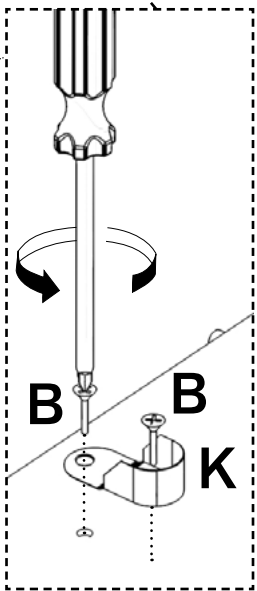
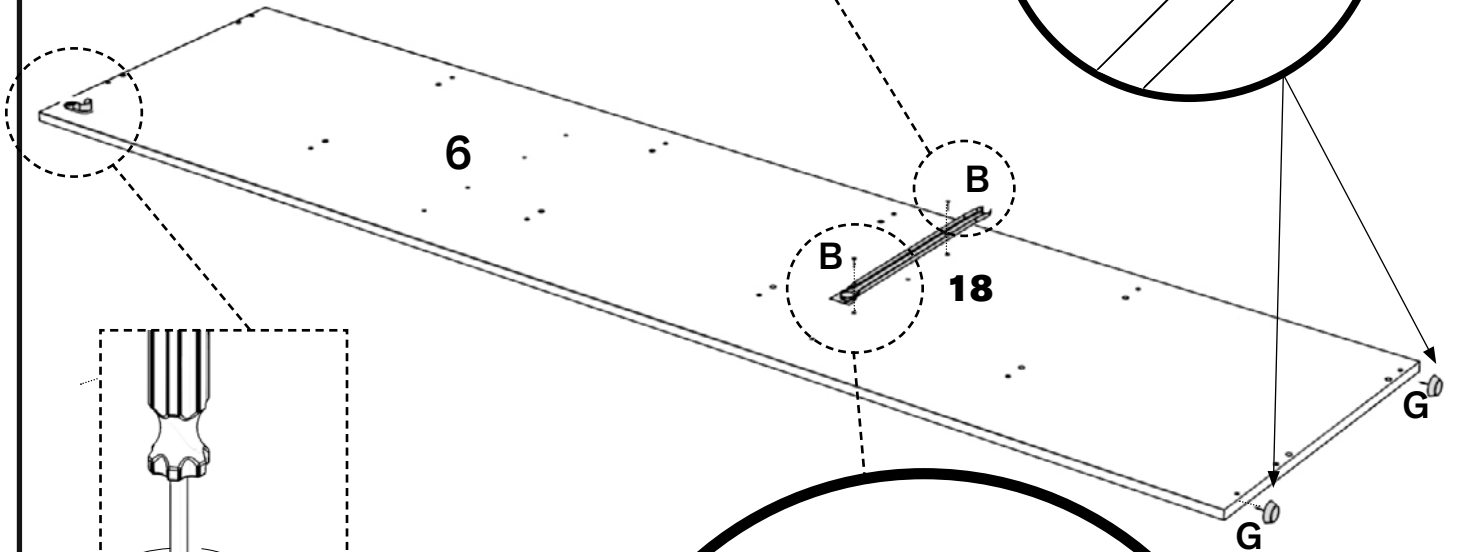
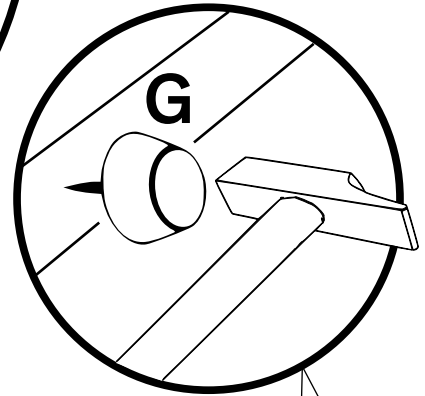
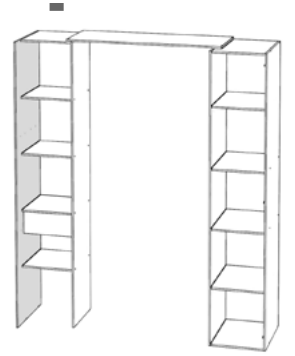
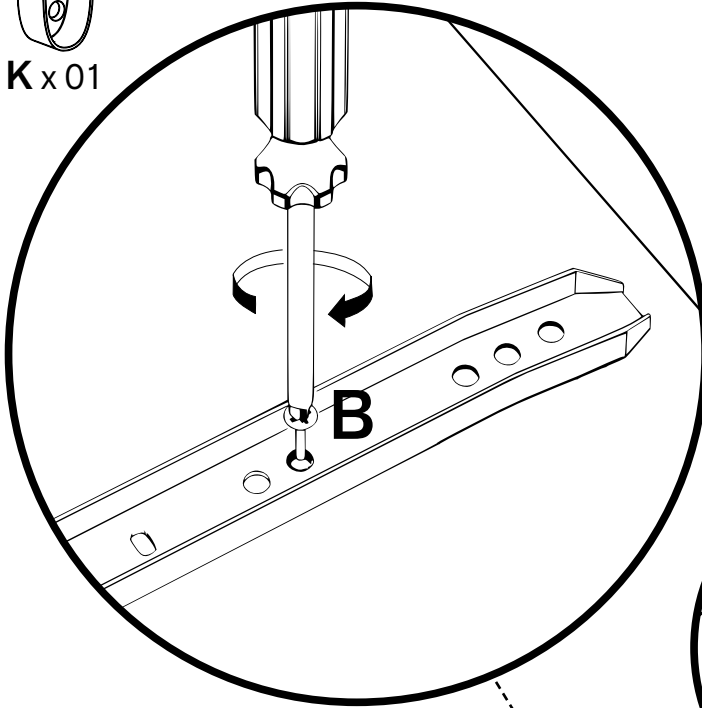
5



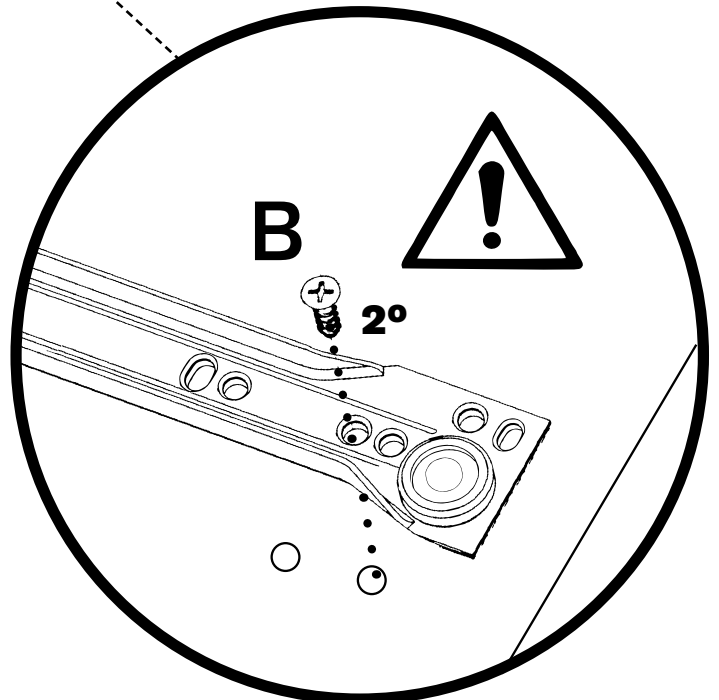
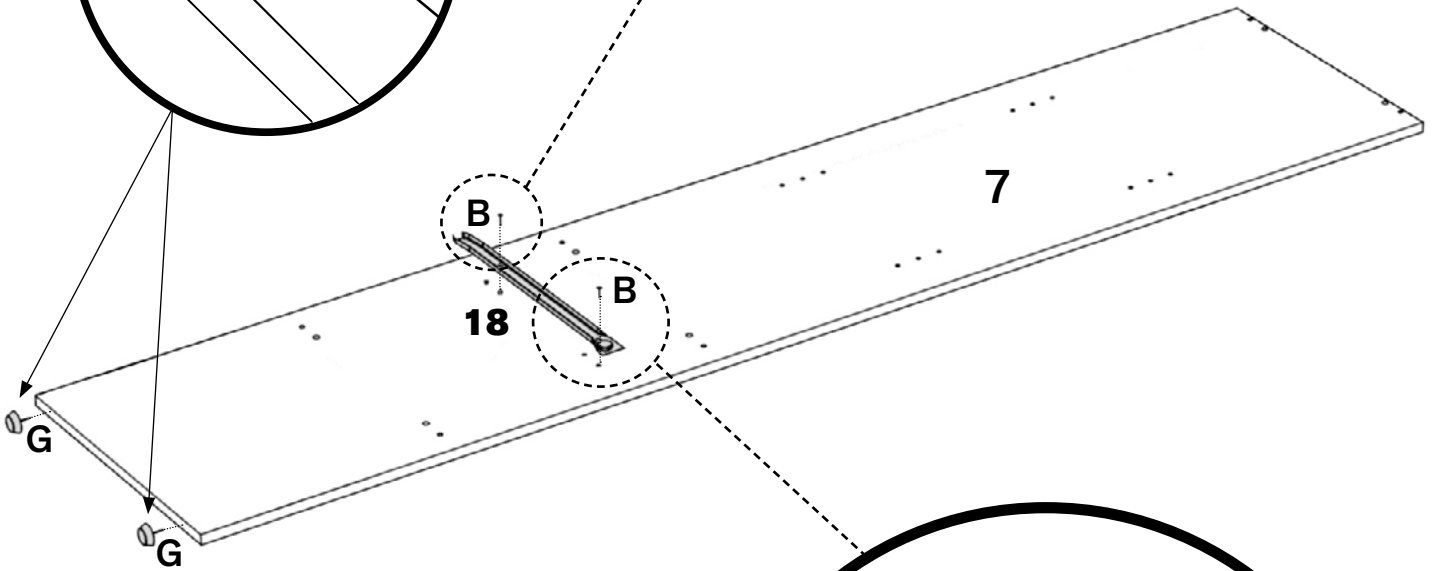
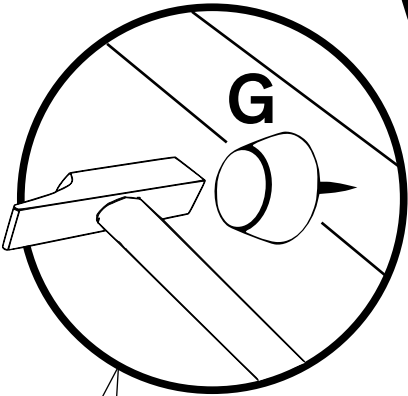
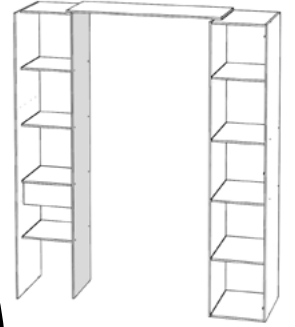
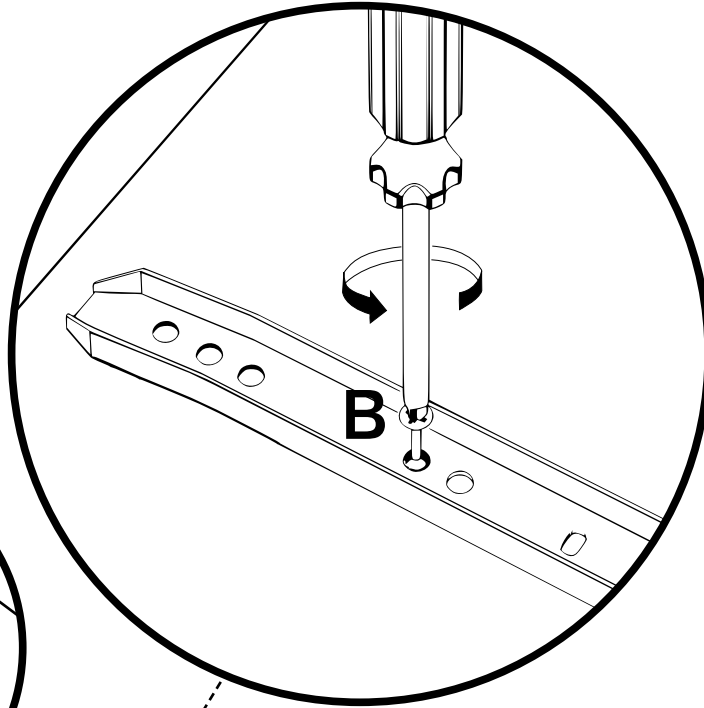
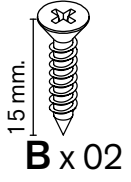
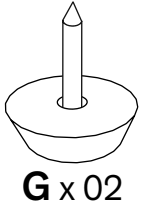
G x 02



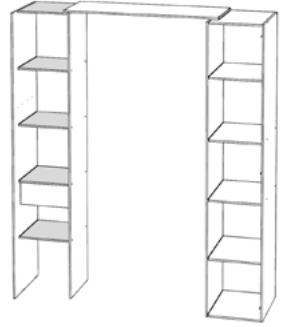
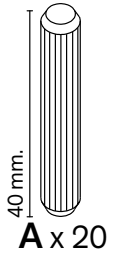
15 mm.
B x 04 K x 01



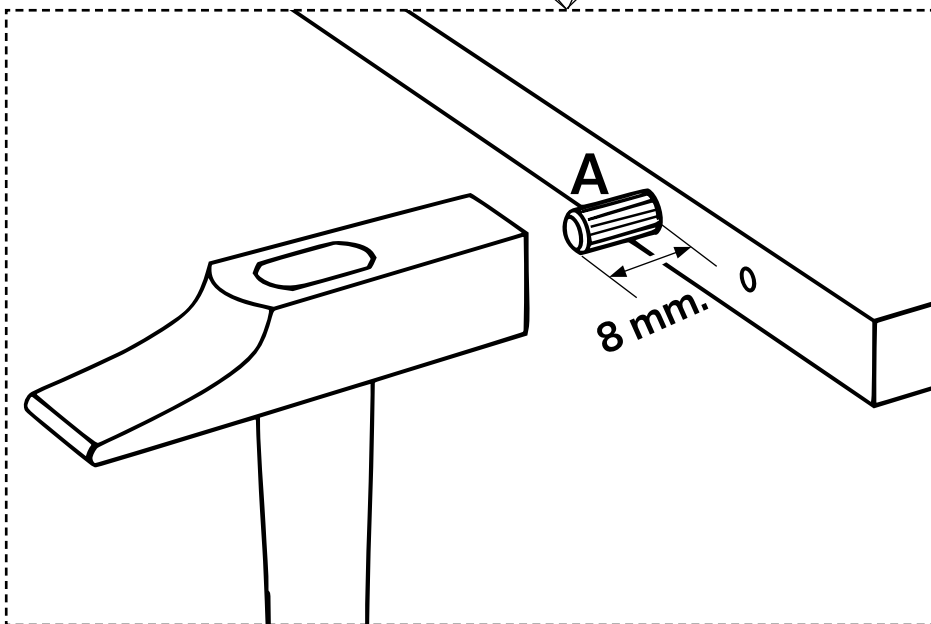
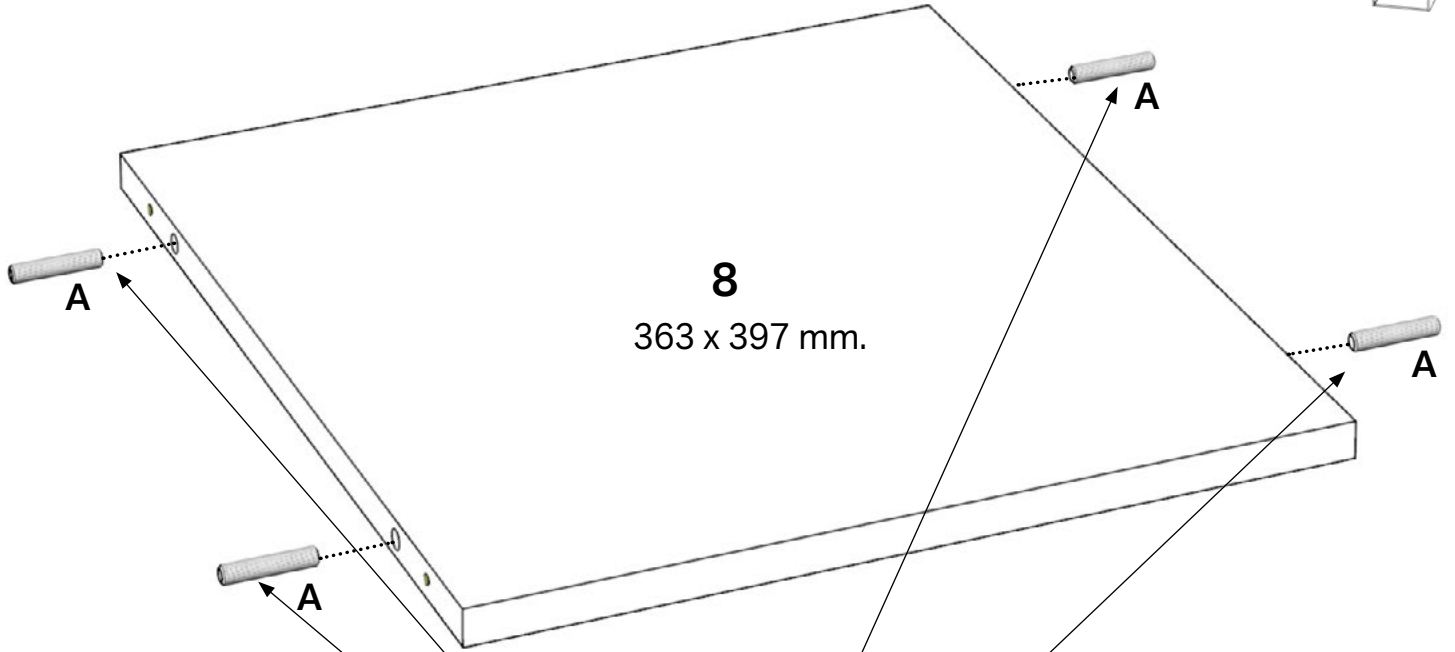
6



7

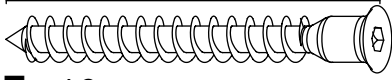


(X5)



8

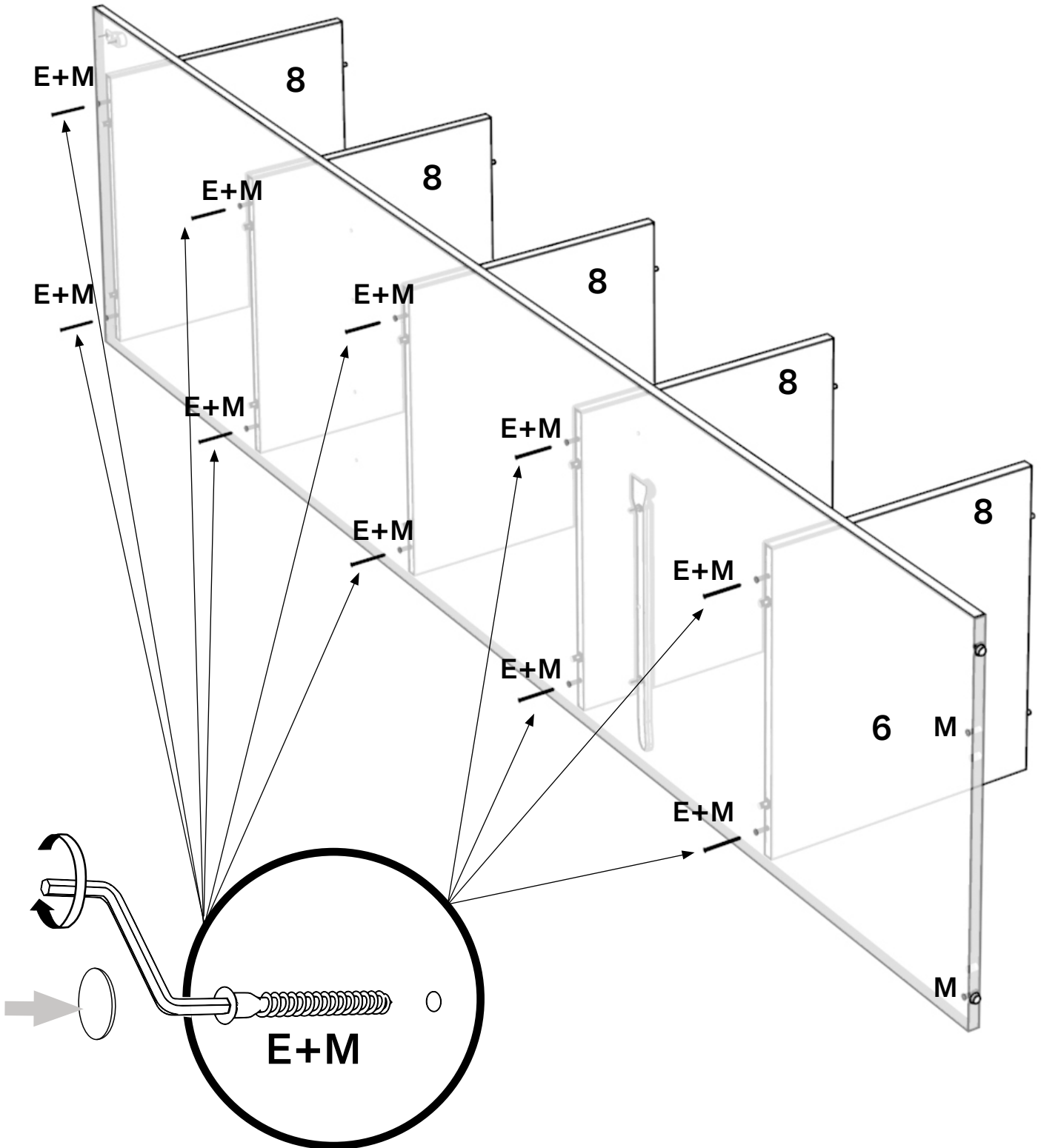
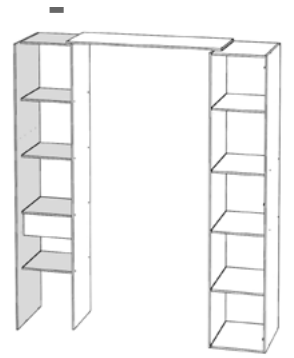
50 mm.



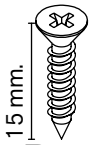
E x 10



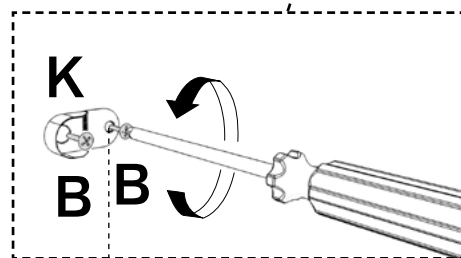
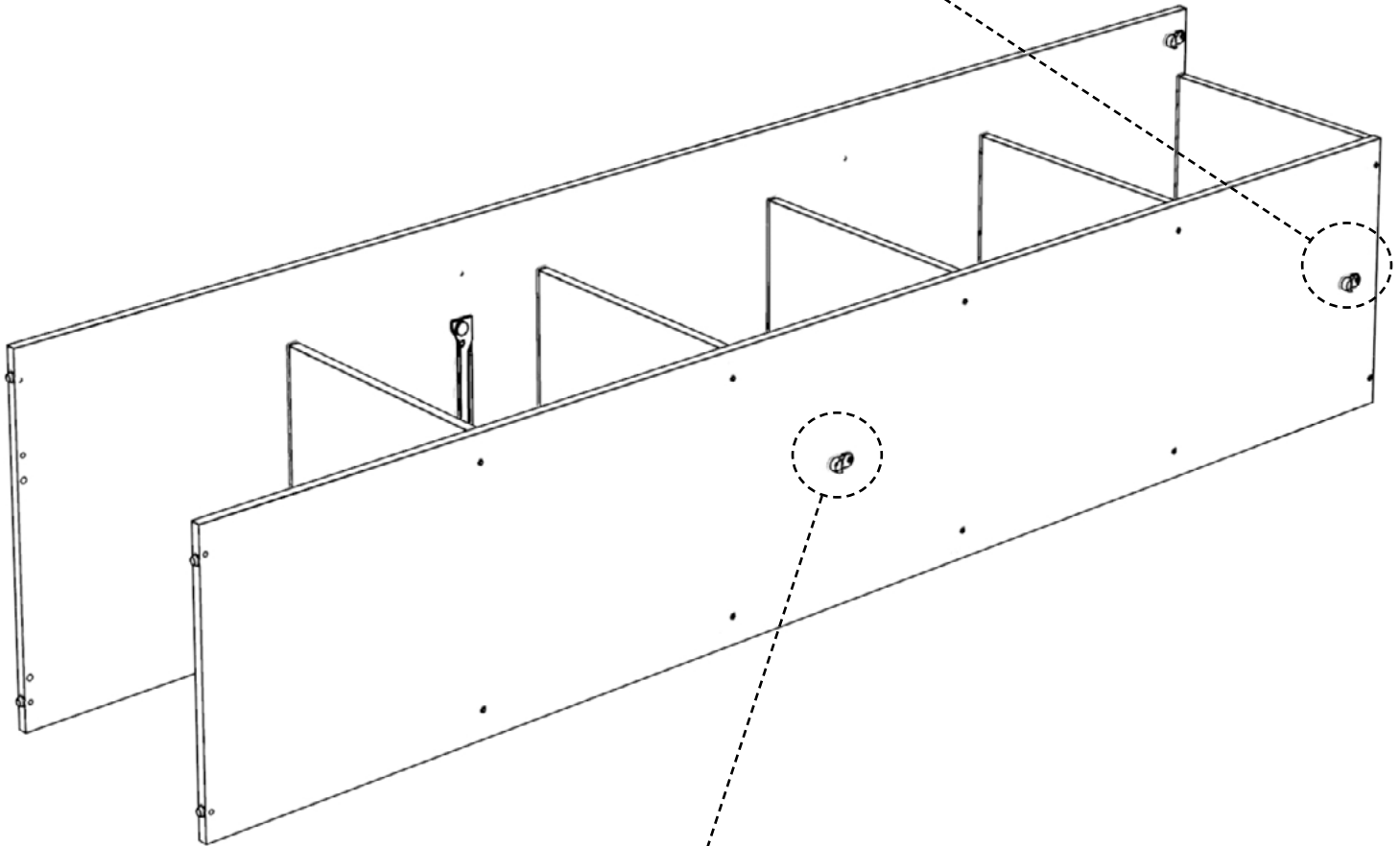
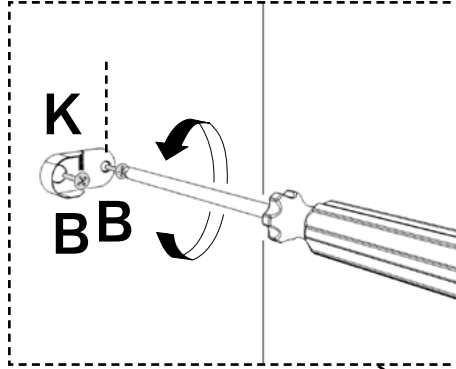
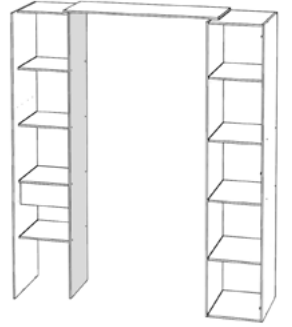
13 mm.
M x 12



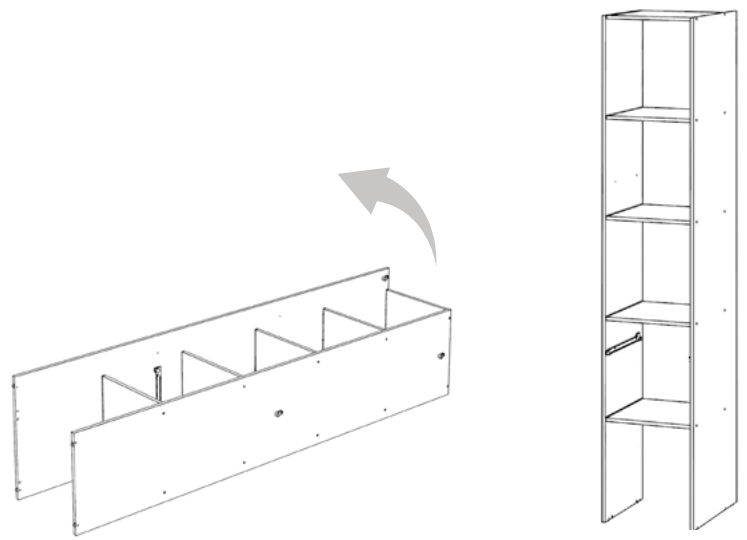
10



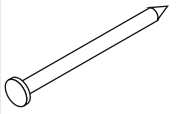
K x 02



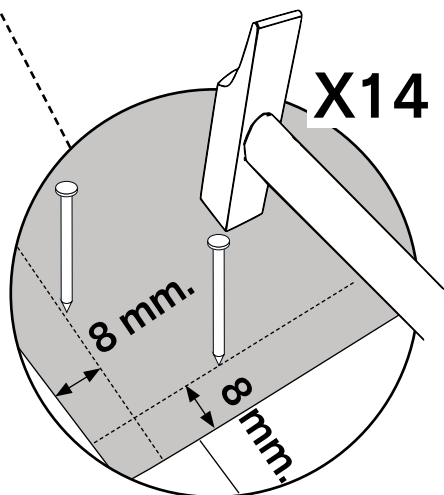
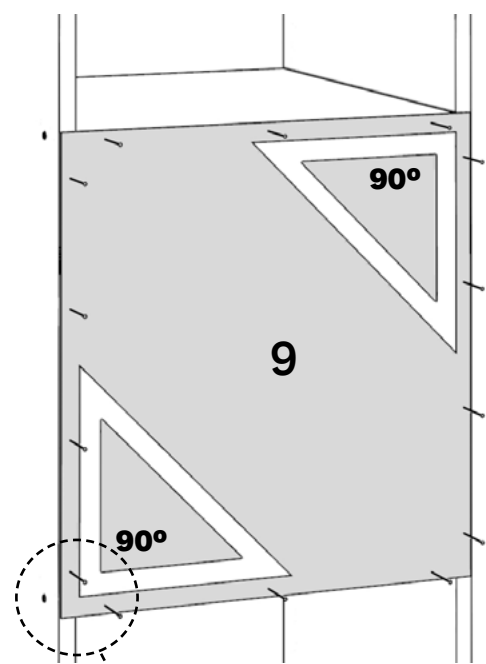
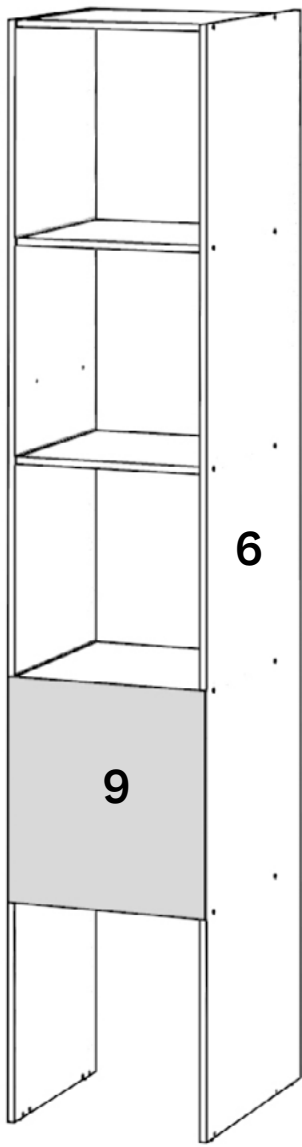
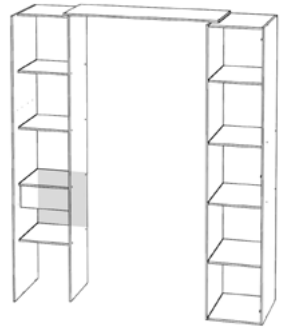
11



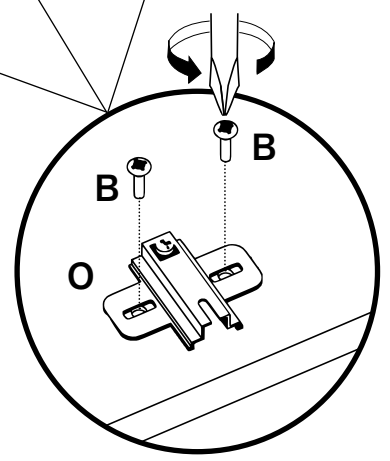
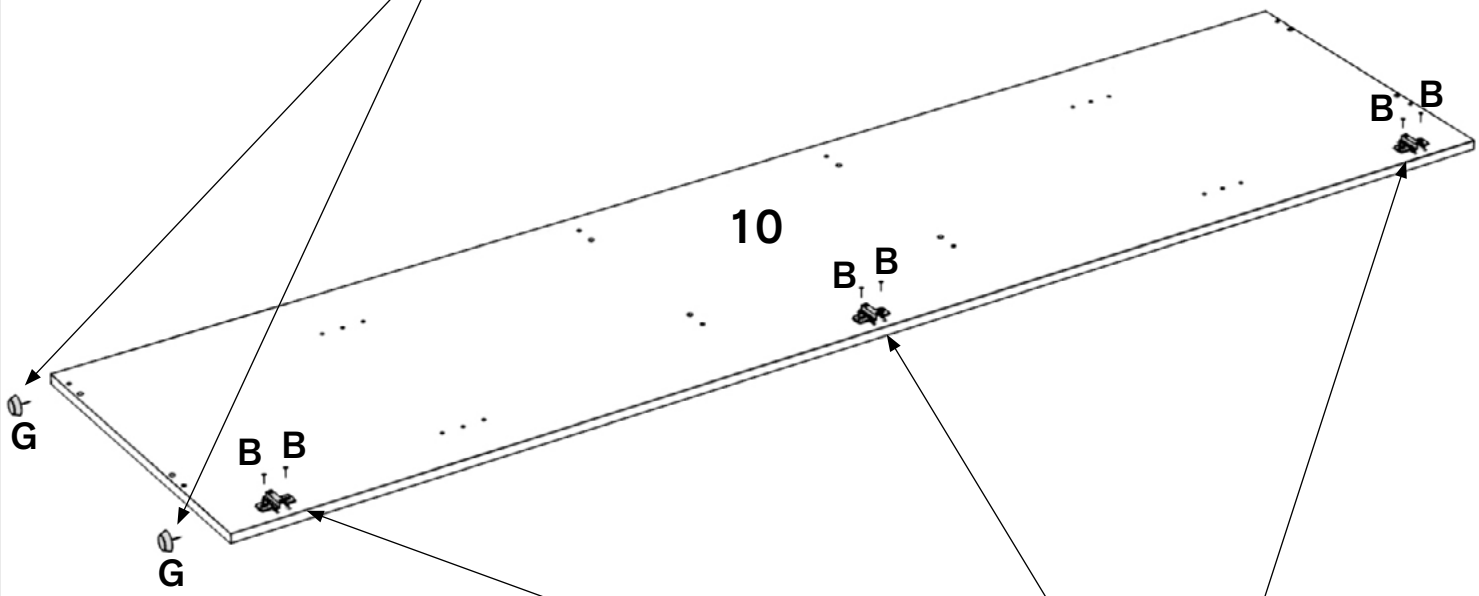
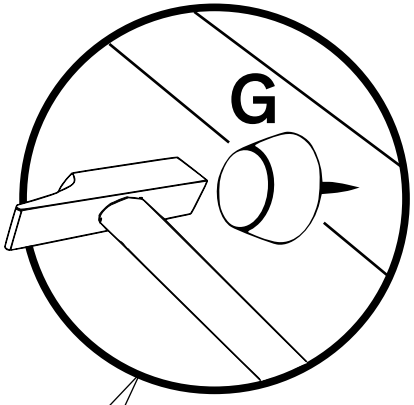
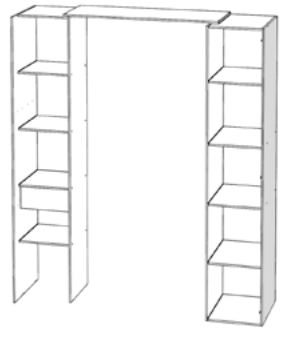
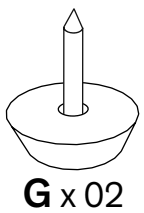
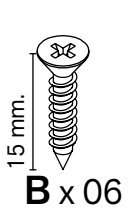
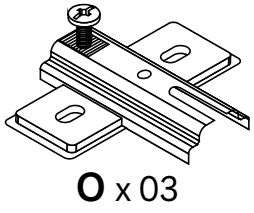
12



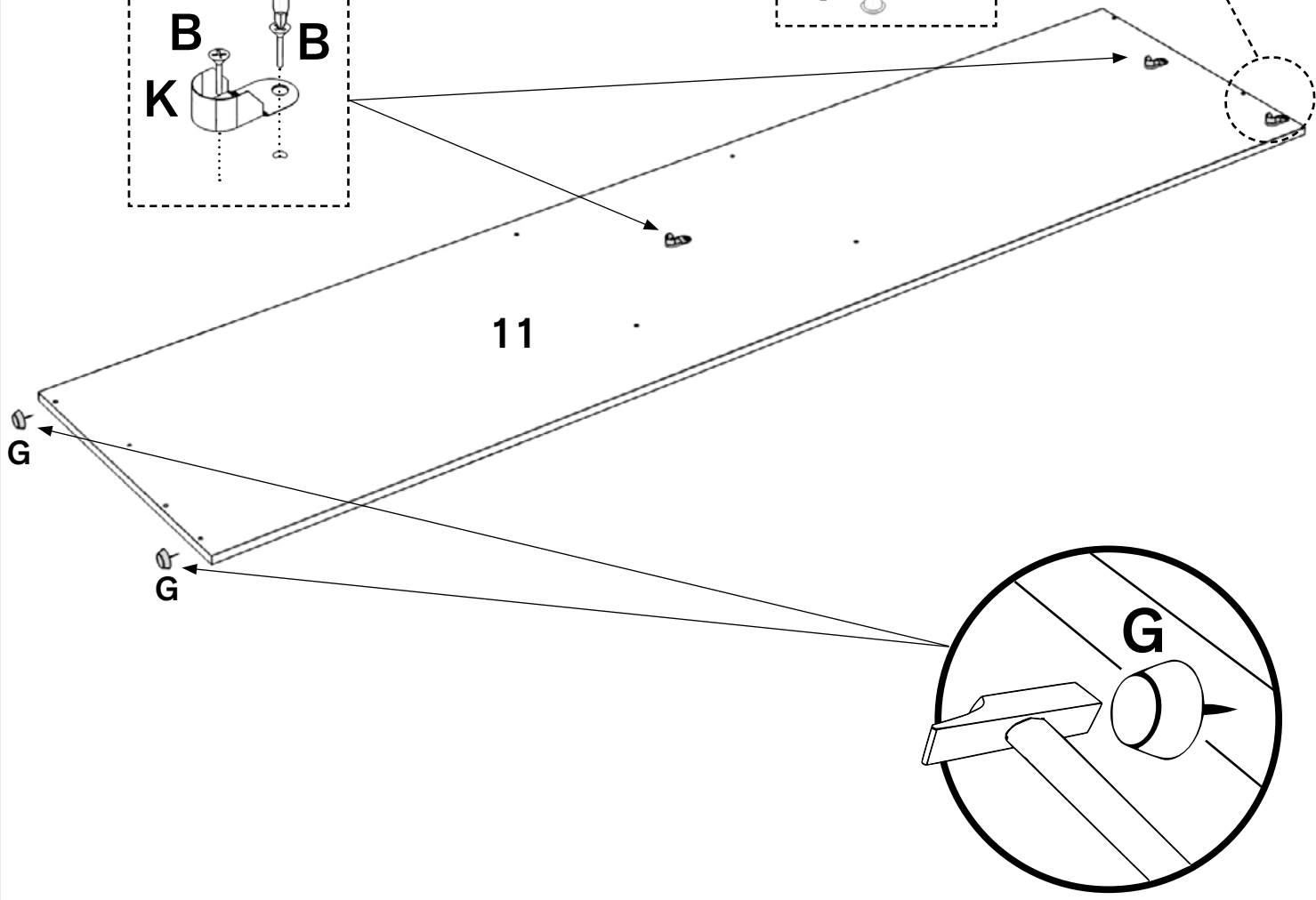
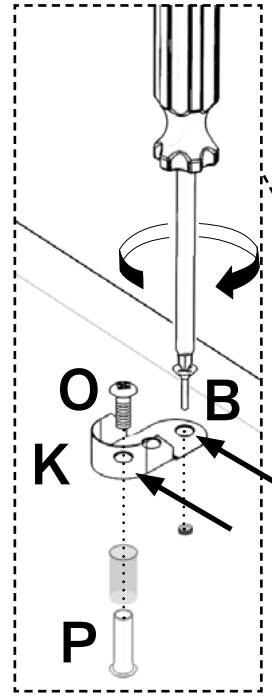
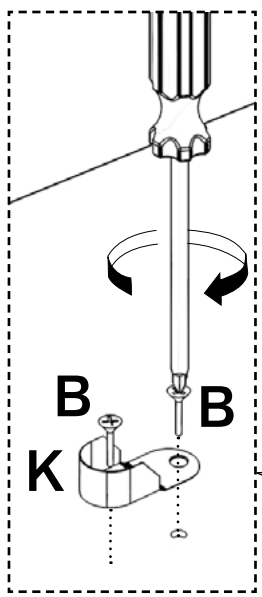
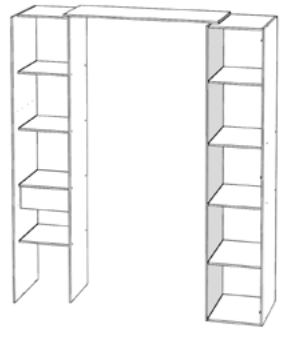
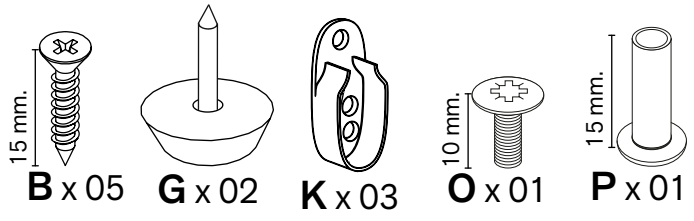
1 x 14

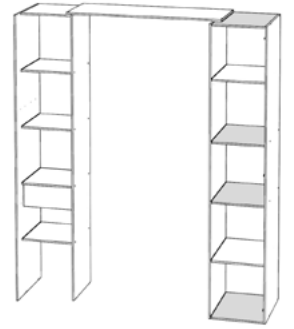
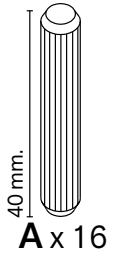


13

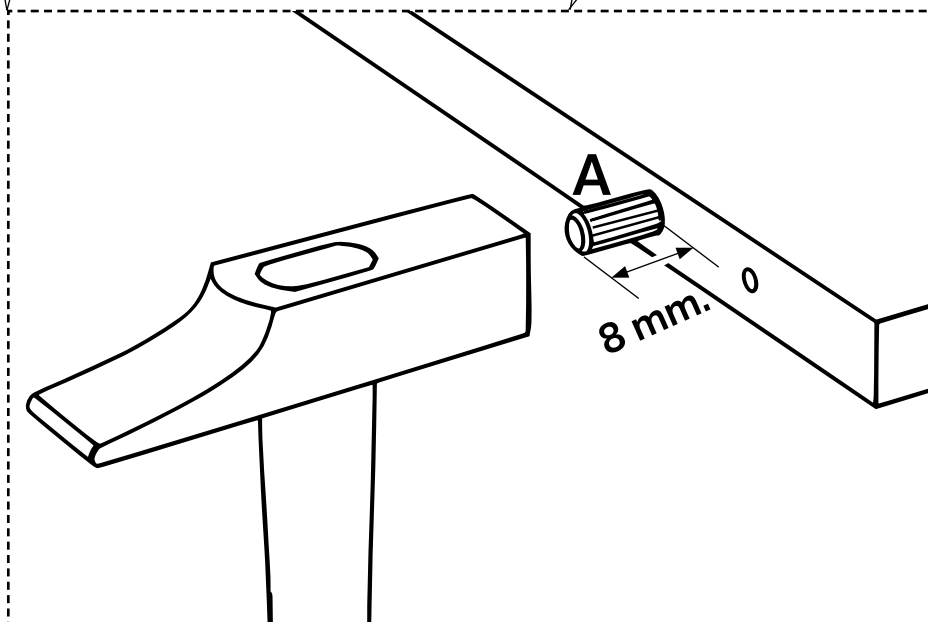
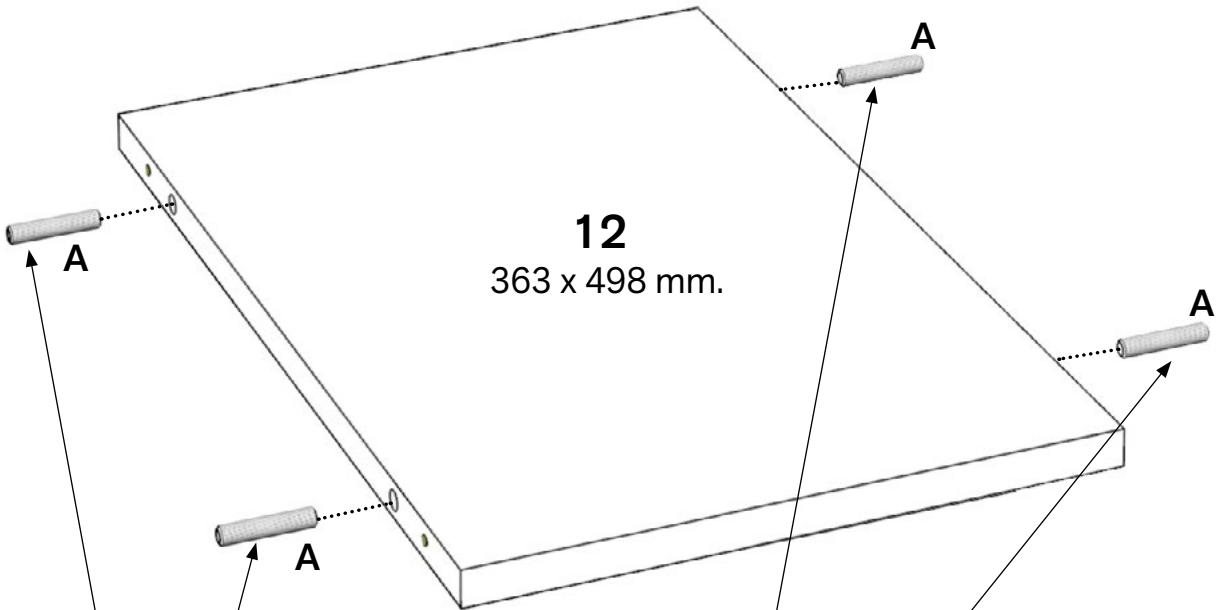


14



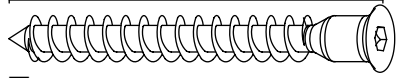


(X4)



16

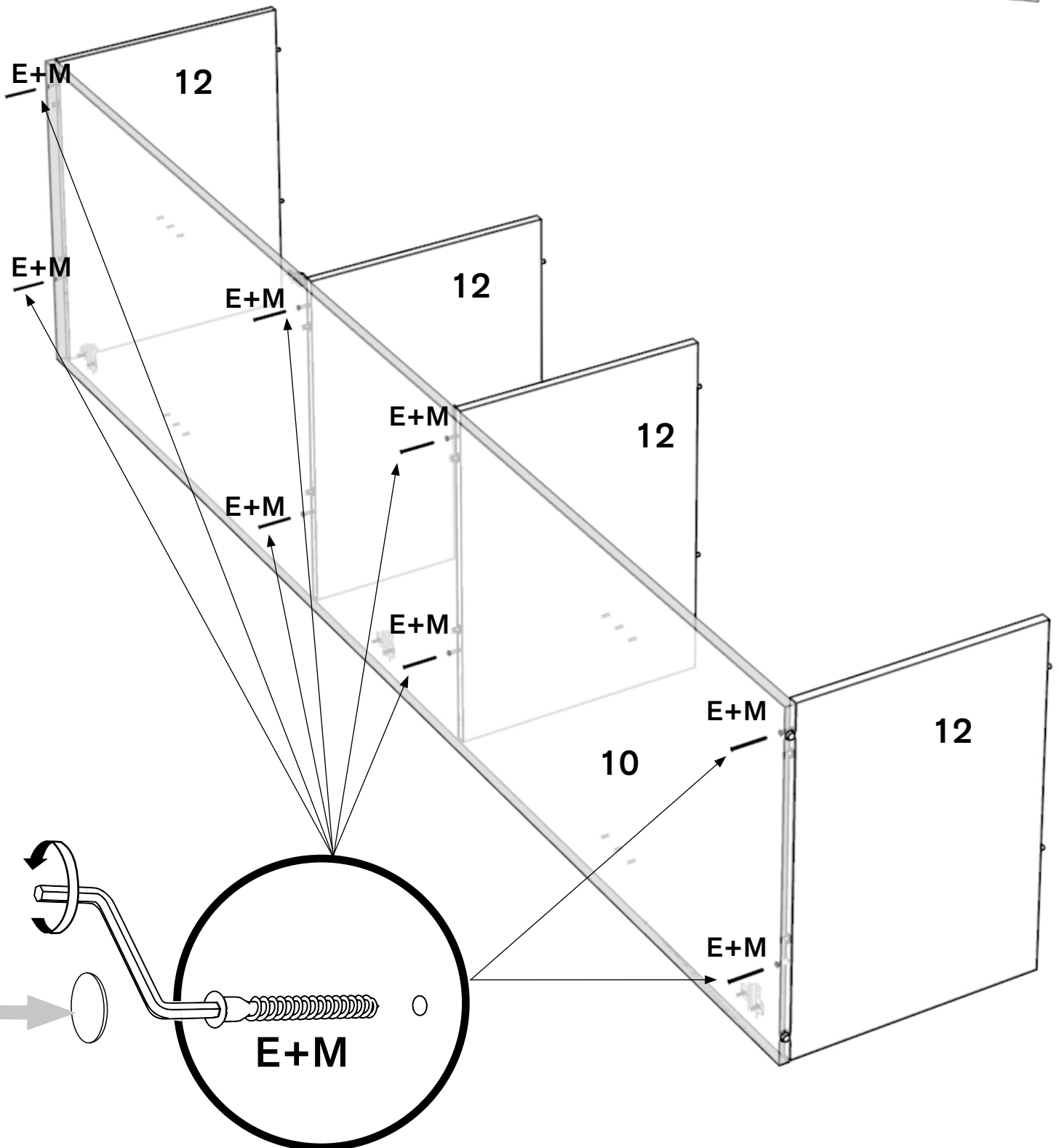
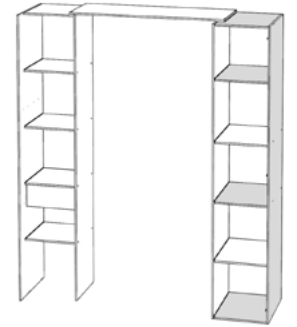
50 mm.



E x 08

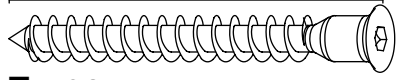


13 mm.
M x 08



17

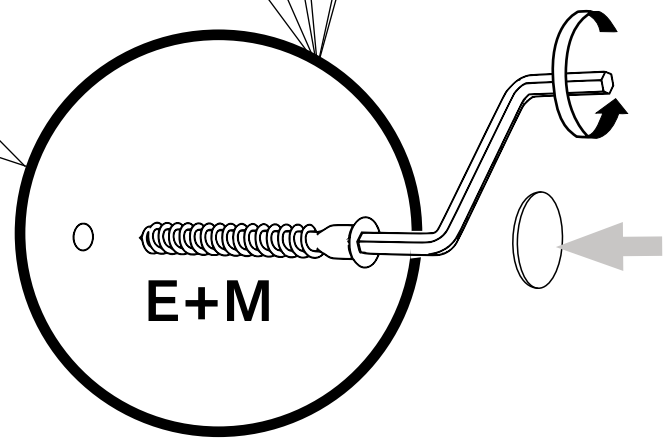
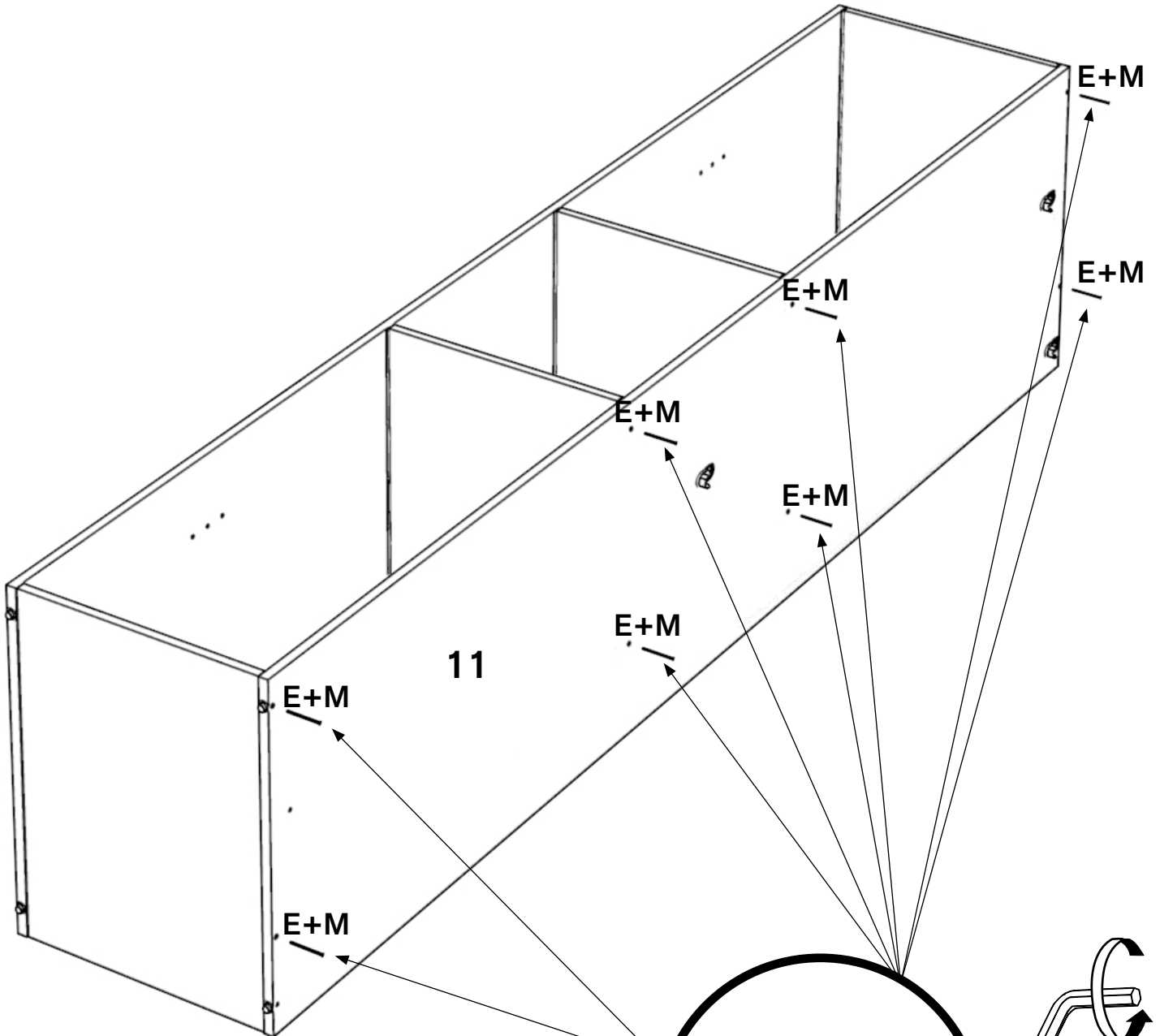
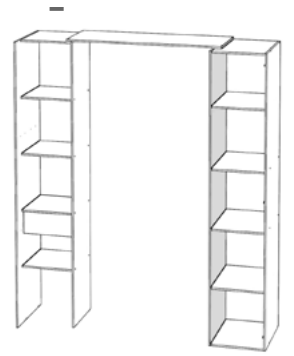
50 mm.



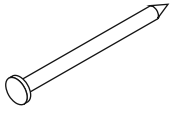
E x 08



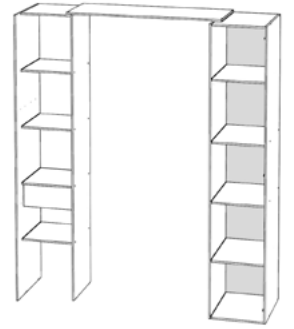
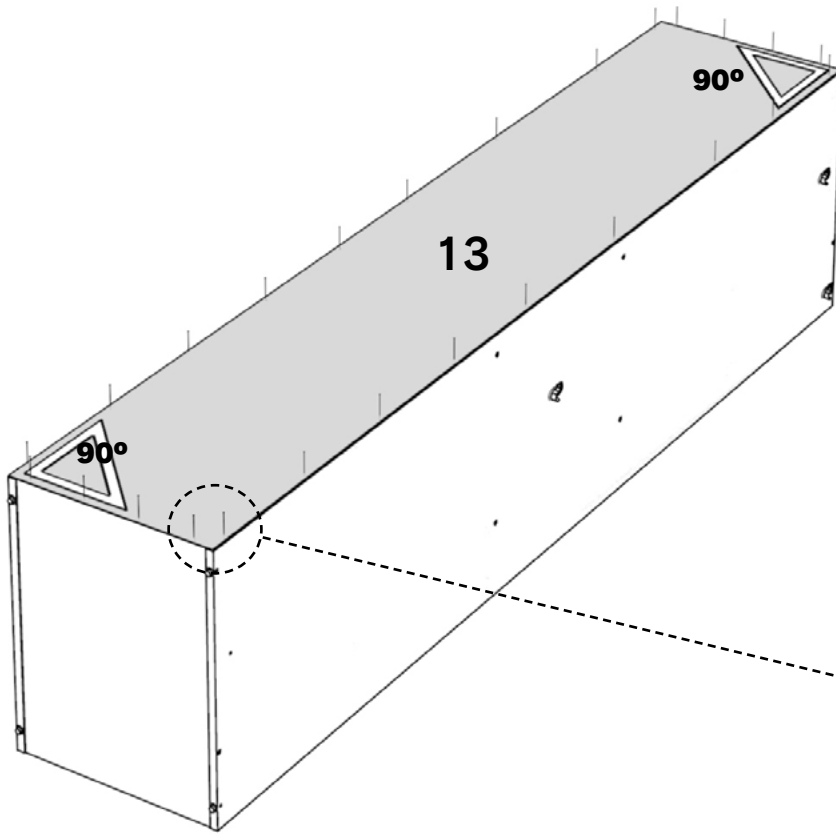
13 mm.
M x 08



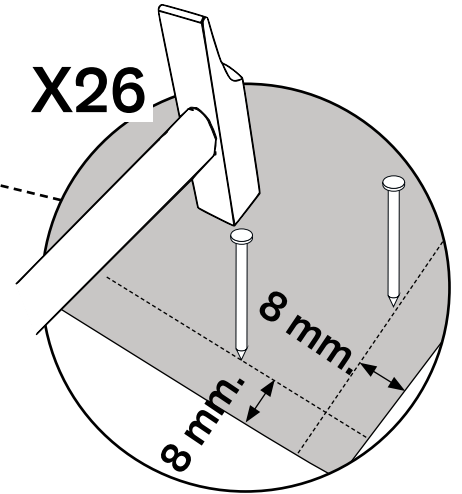
18



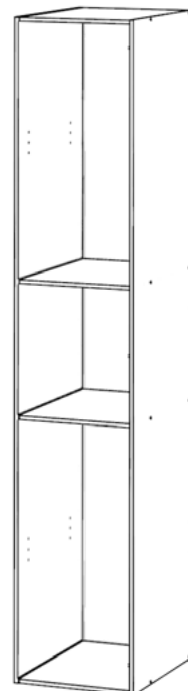
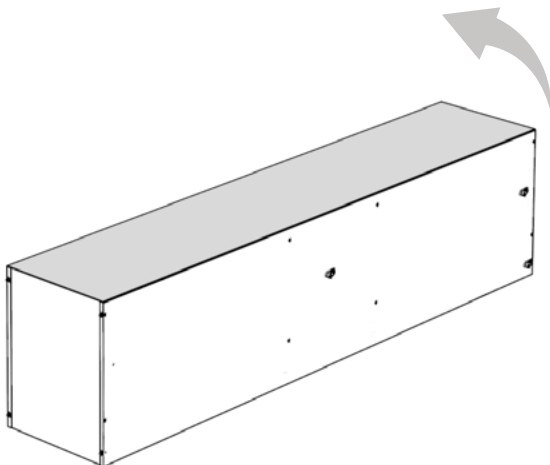
1 x 26



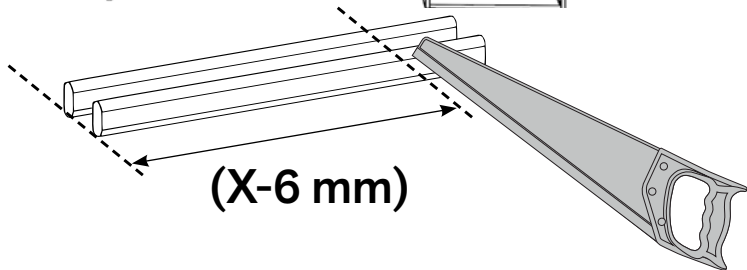
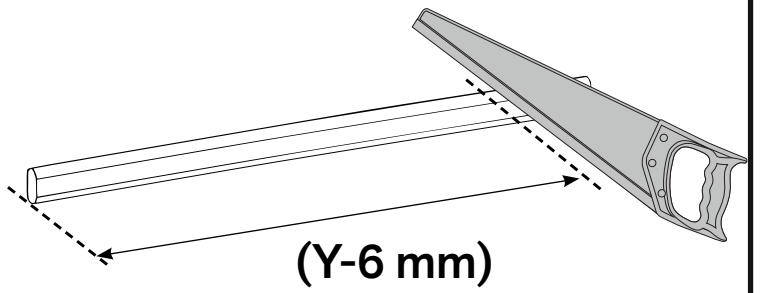
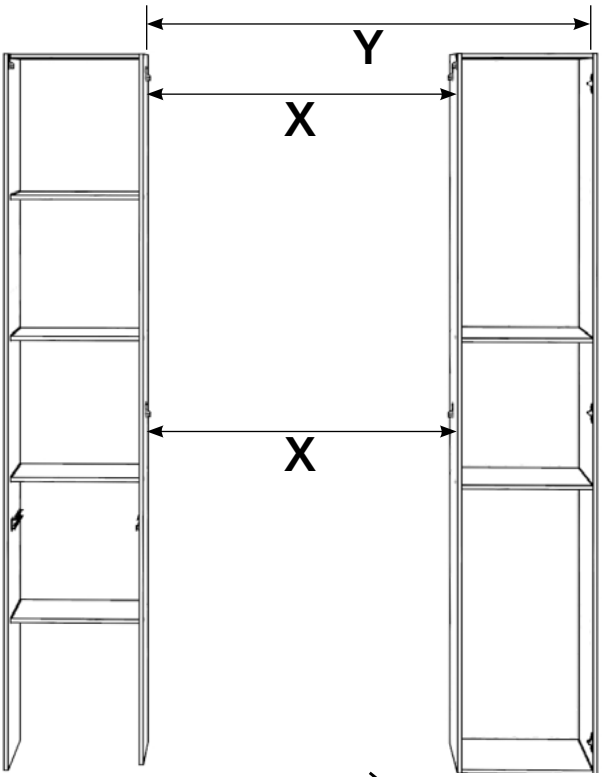
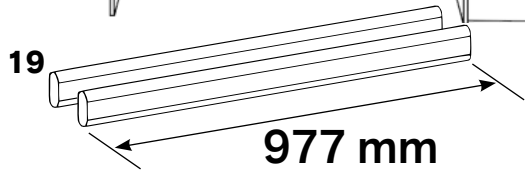
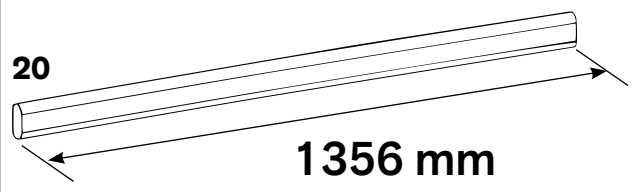
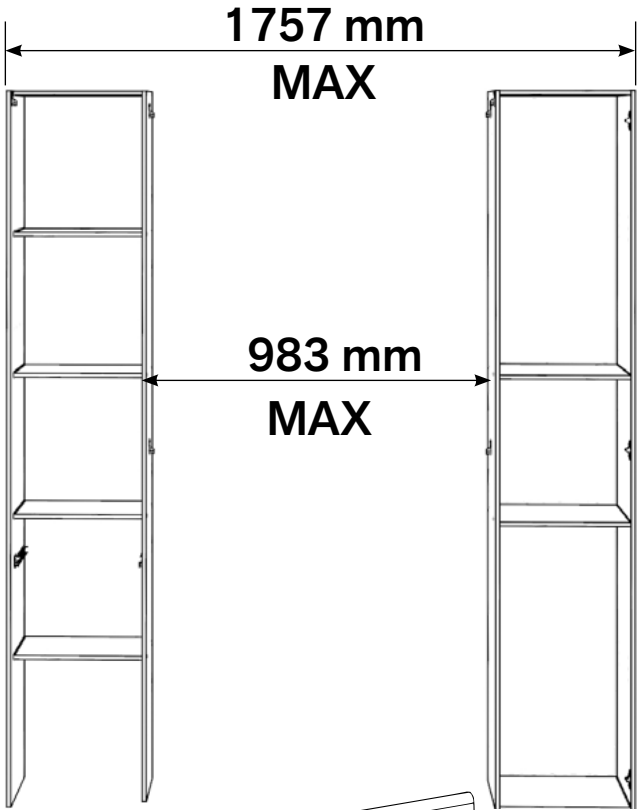
X26



19

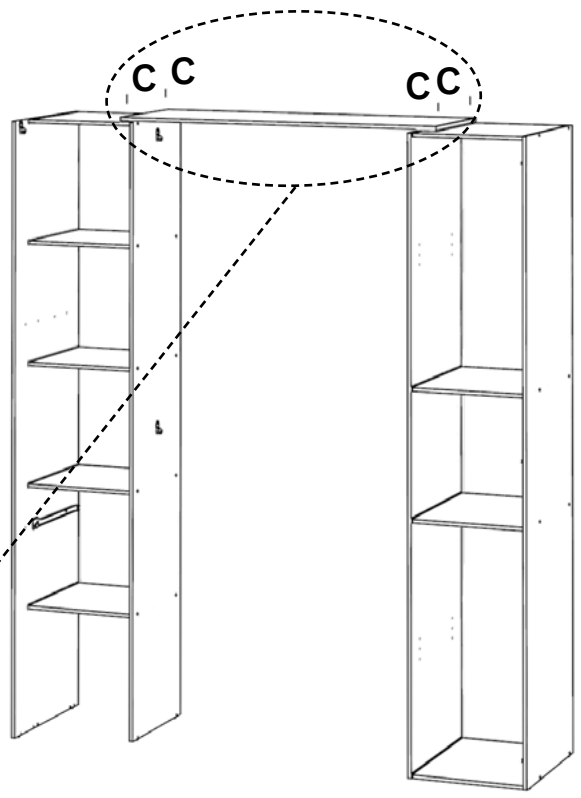
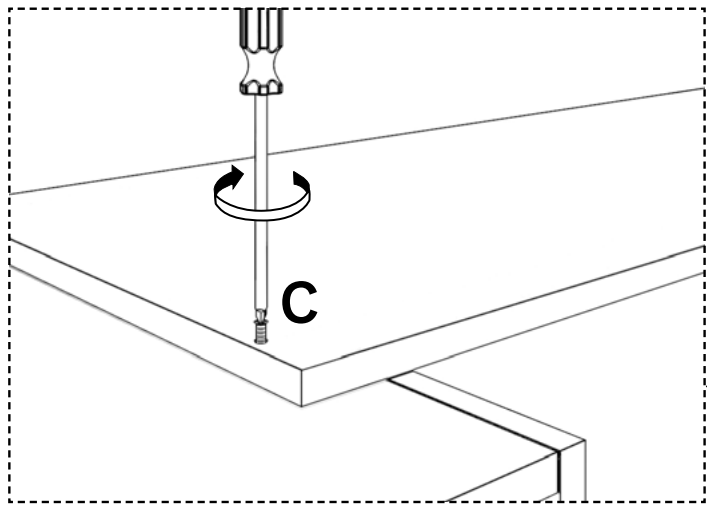
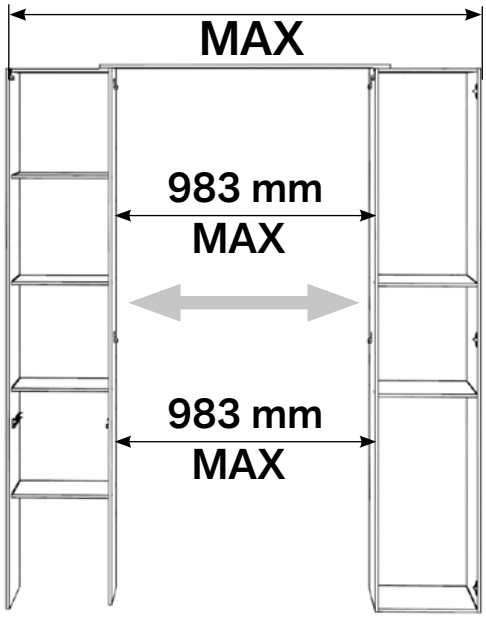
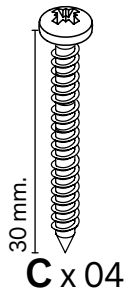


20



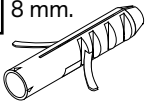
21

1757 mm
MAX

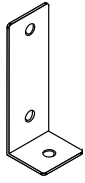


22

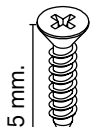
8 mm.



H x 02

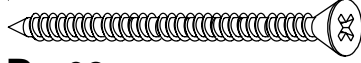


J x 02

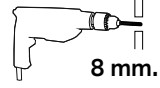


B x 02

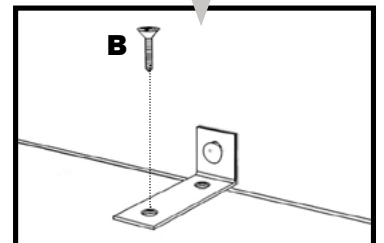
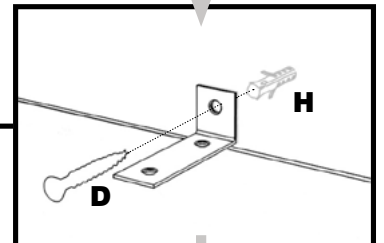
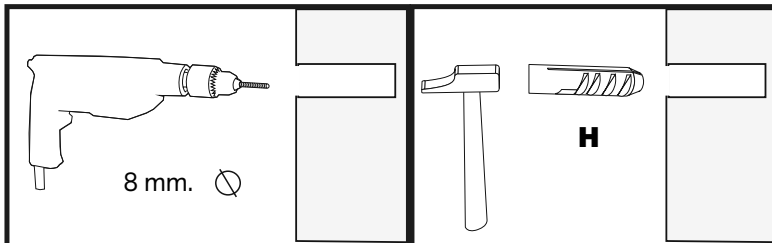
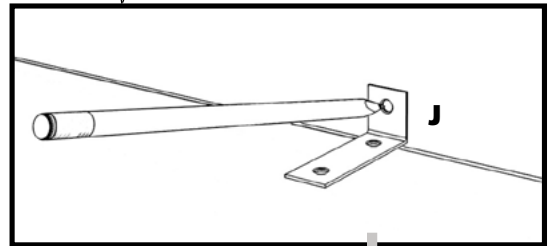
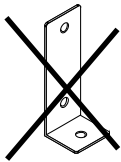
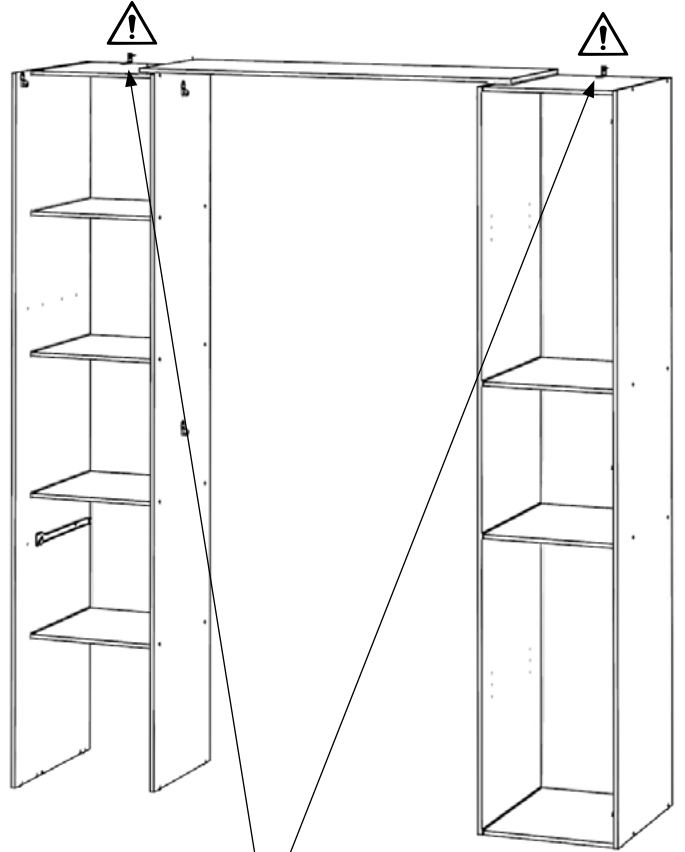
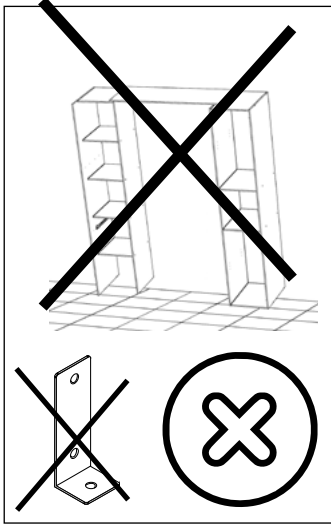
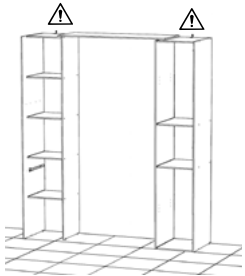
45 mm.



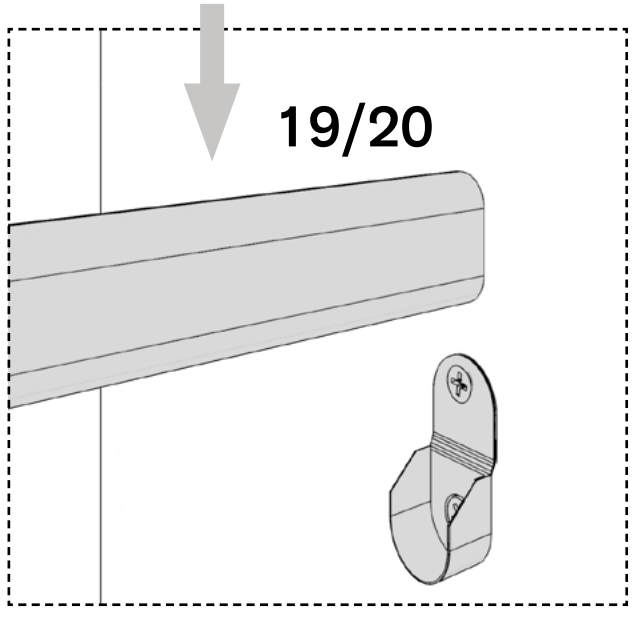
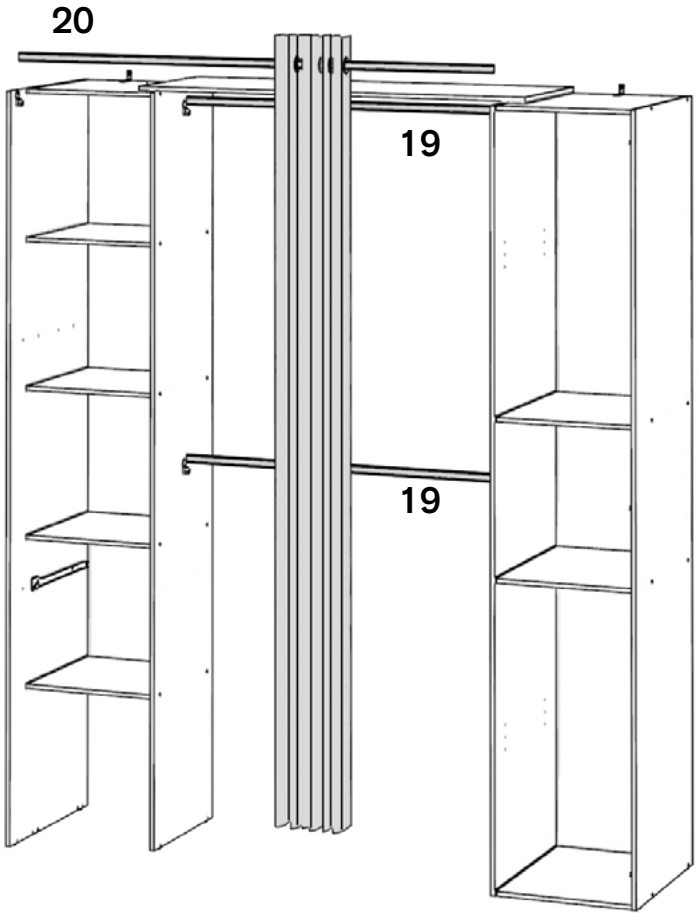
D x 02



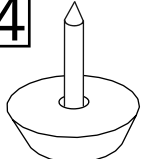
8 mm.



23

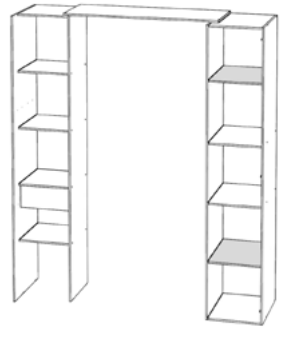
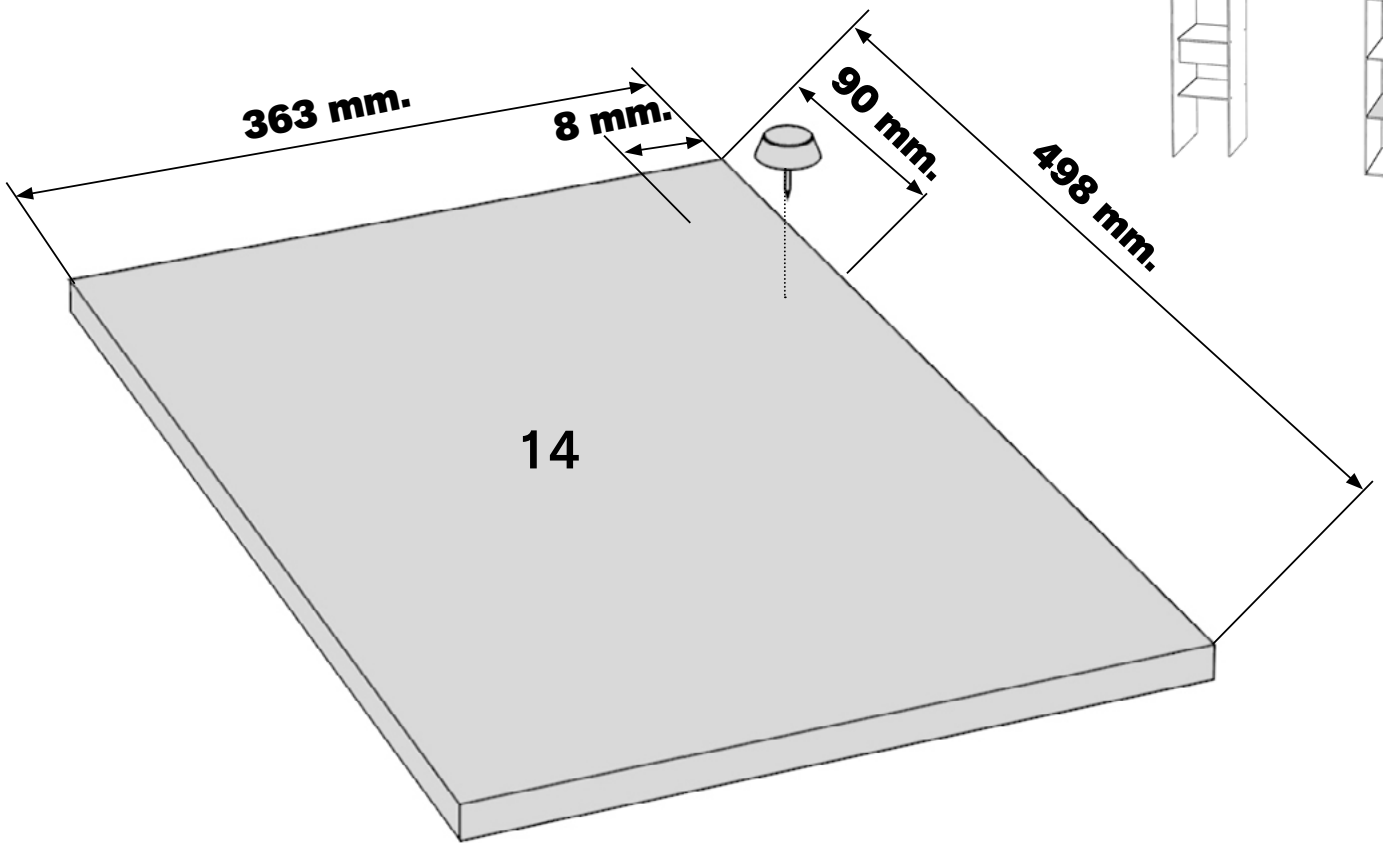


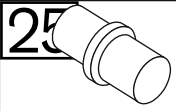
24



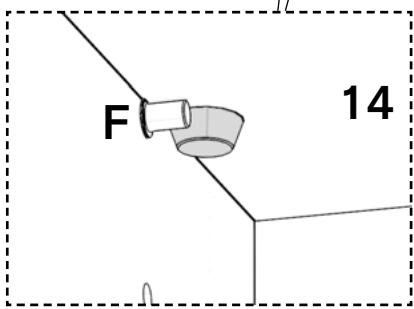
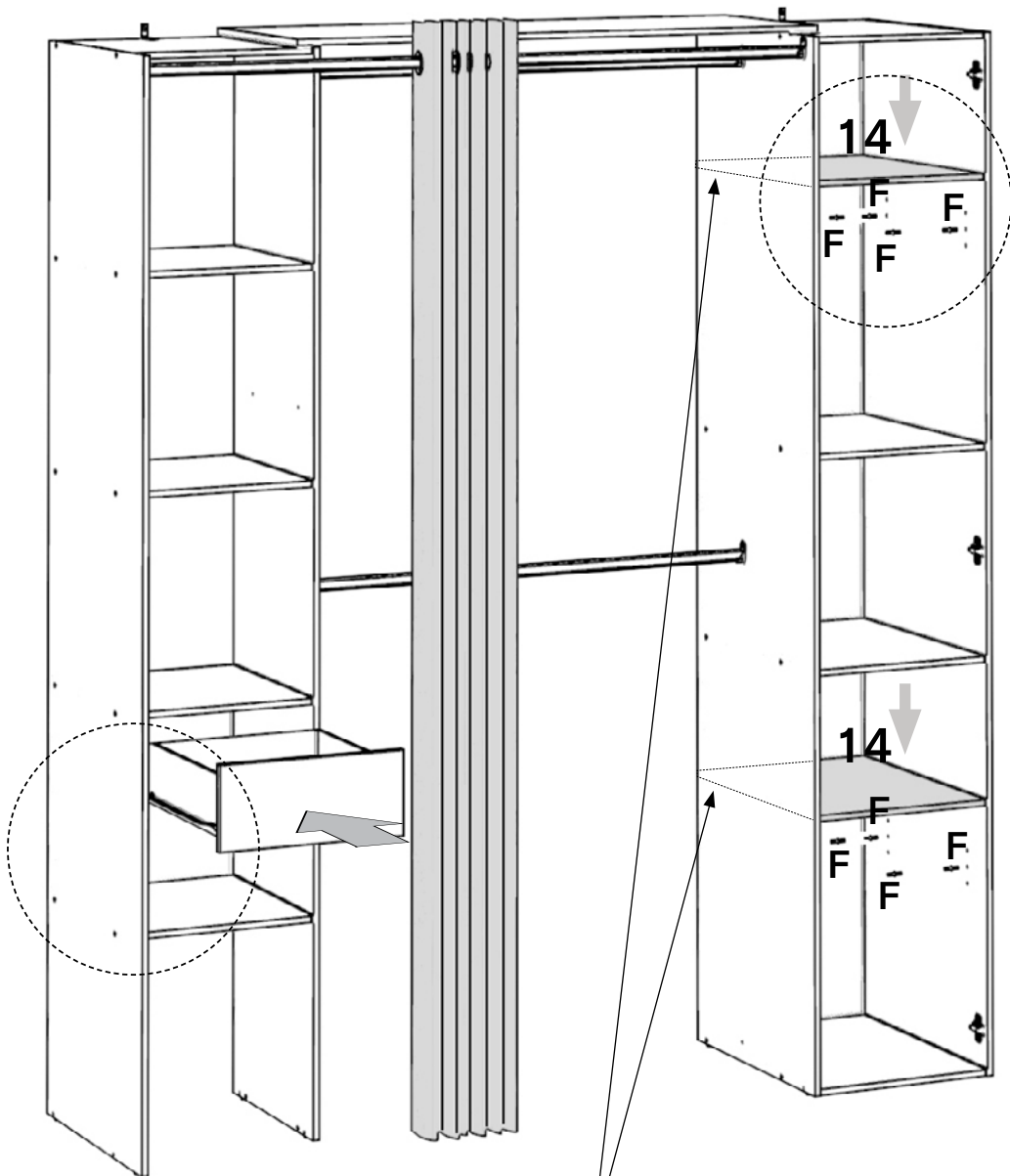
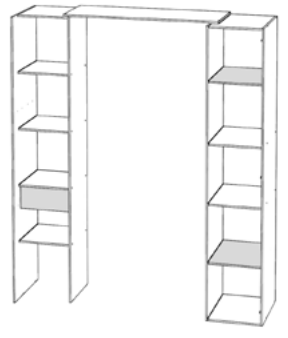
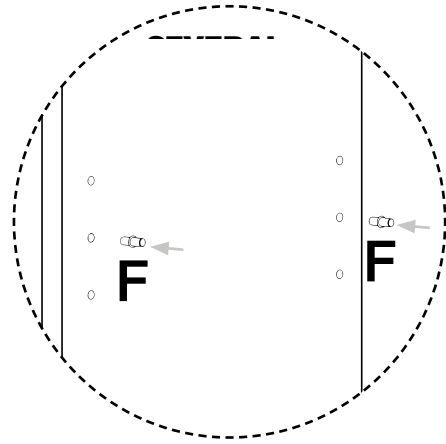
G x 02

(X2)

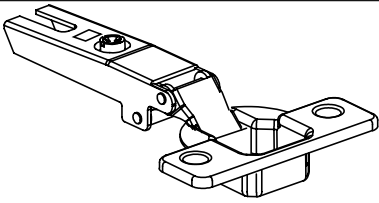




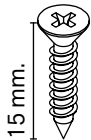
F x 08



26



N x 03



15 mm.
B x 06

