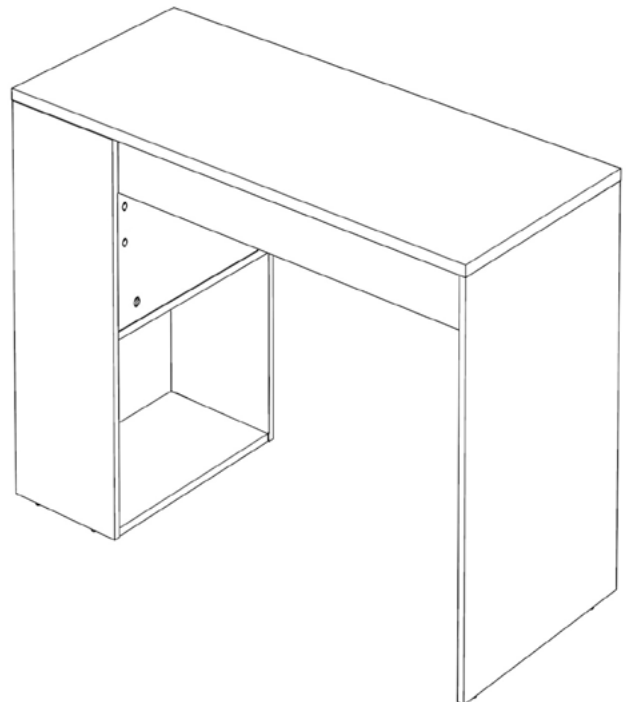
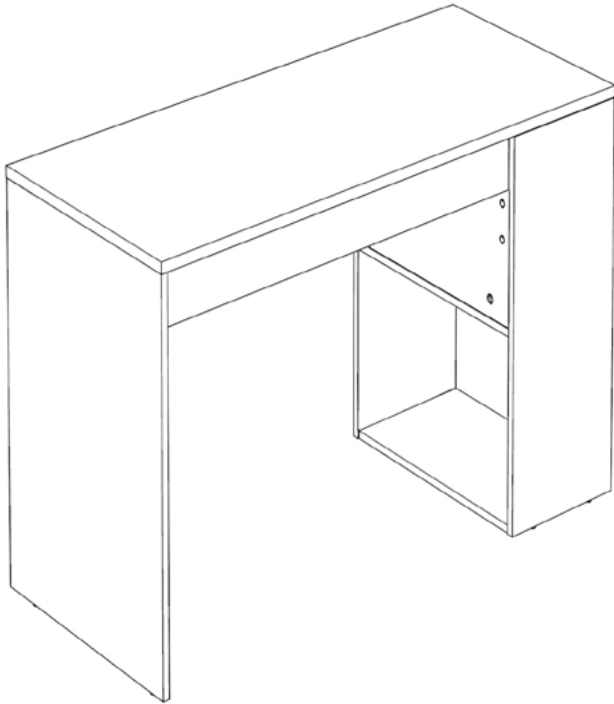
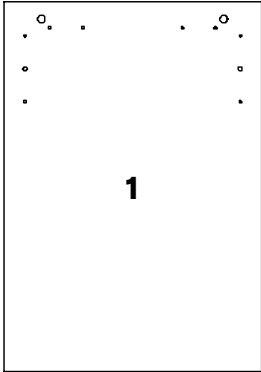
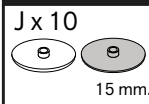
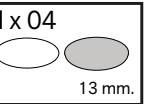
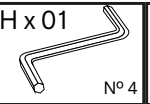
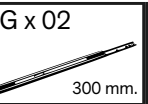
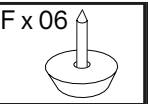
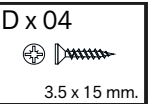
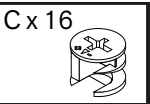
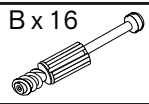
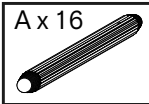
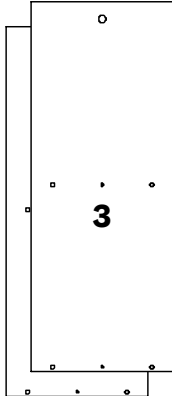


1.5 h.

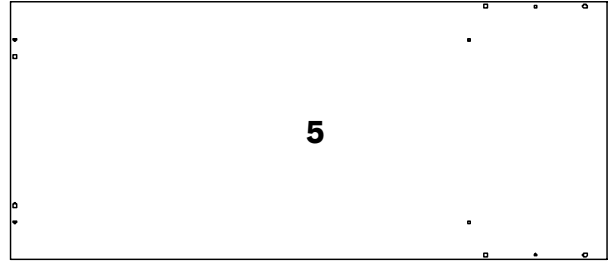




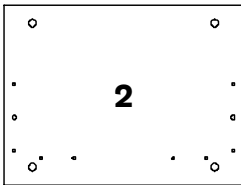
496 x 715 mm.



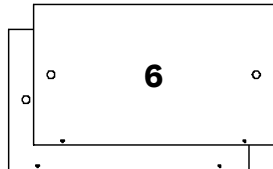
273 x 715 mm.



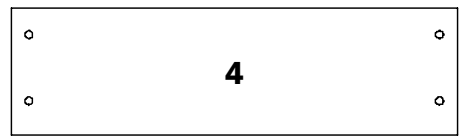
1152 x 498 mm.



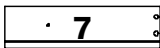
464 x 346 mm.



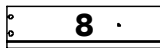
464 x 272 mm.



861 x 246 mm.



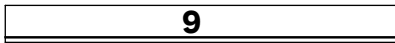
300 x 80 mm.



300 x 80 mm.



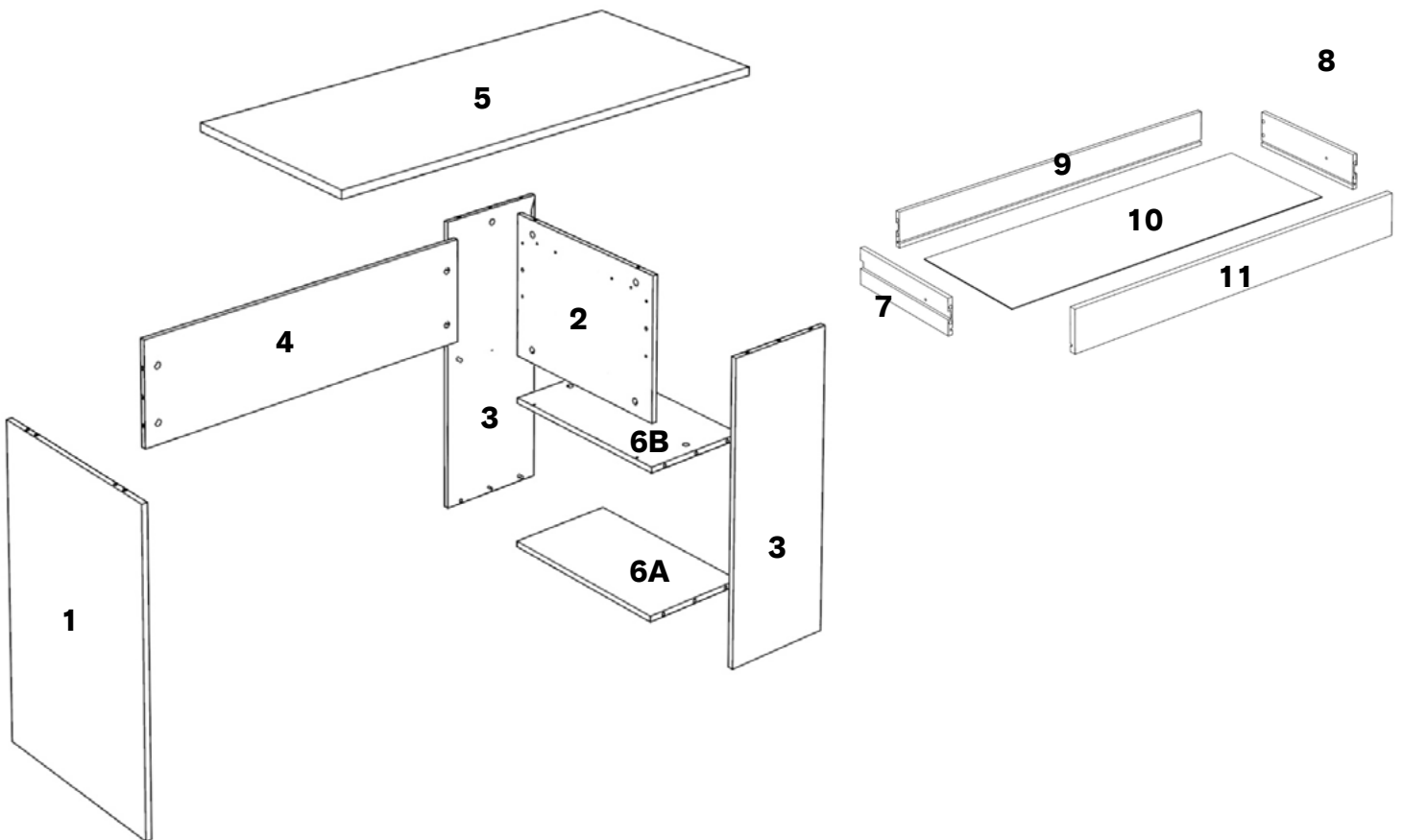
840 x 298 mm.



828 x 80 mm.

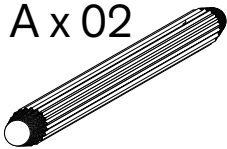


854 x 95 mm.

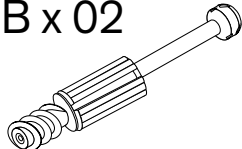


1

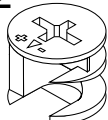
A x 02



B x 02



C x 02

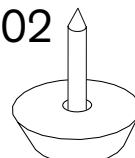


E x 02

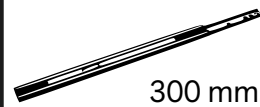


3.5 x 15 mm.

F x 02



G x 01

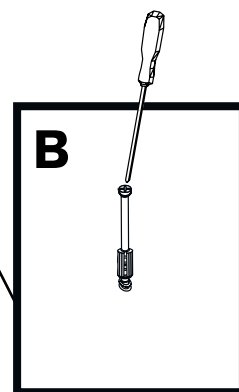
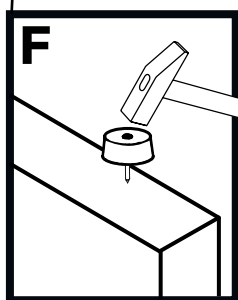
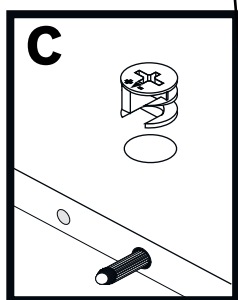
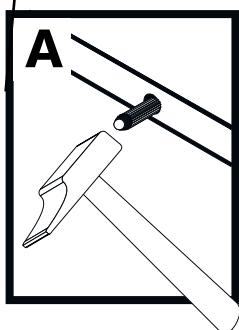
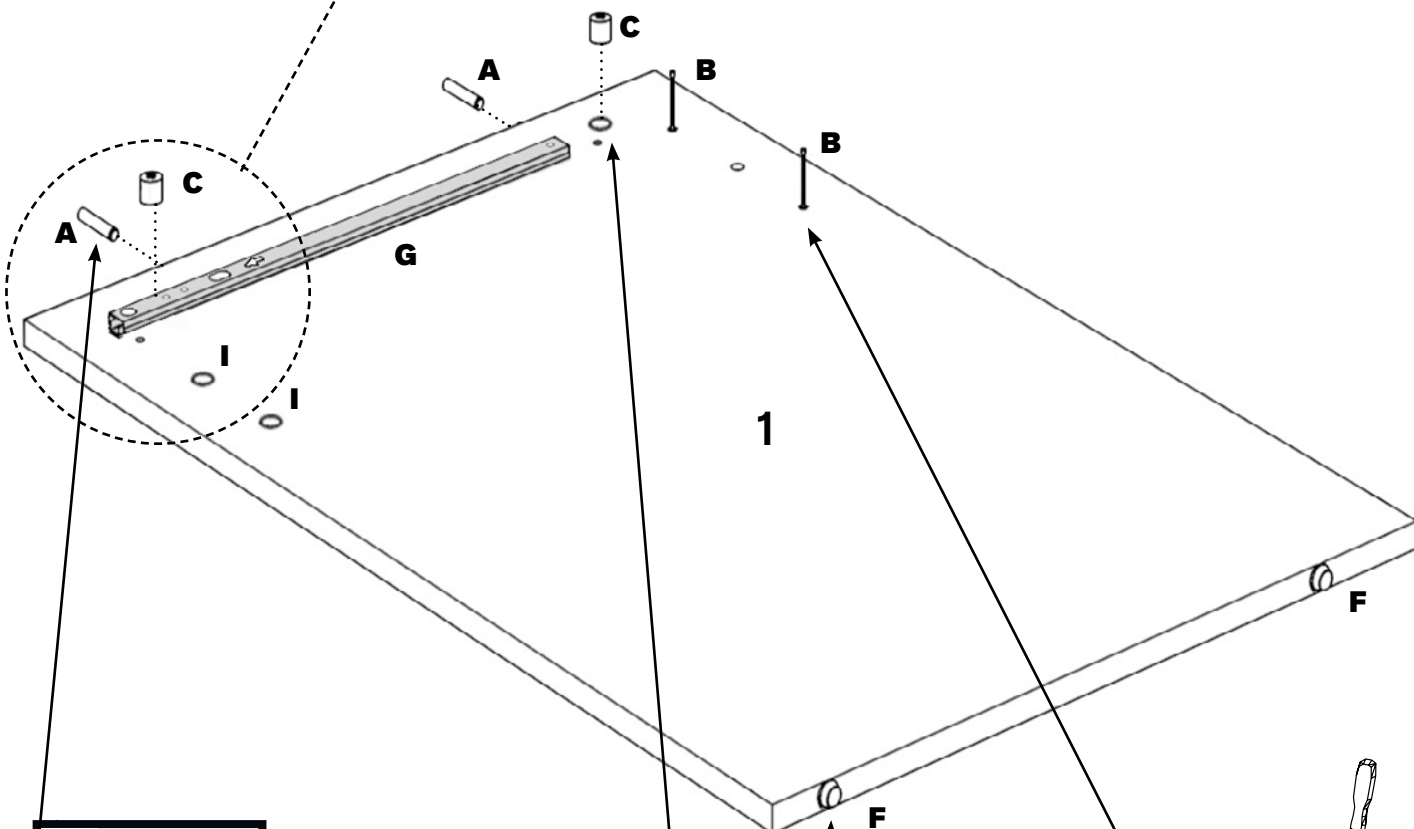
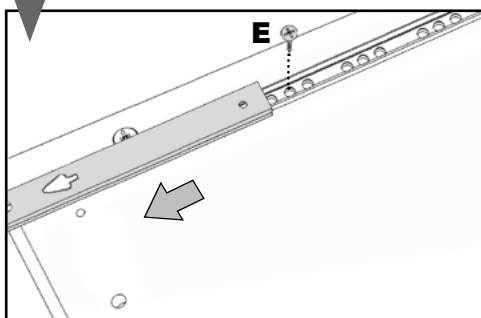
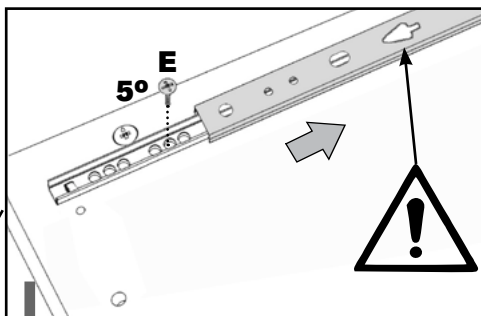
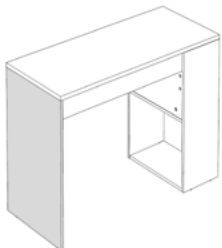


300 mm.

I x 02

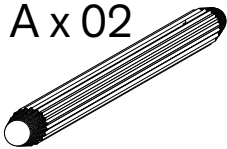


13 mm.

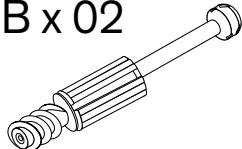


1

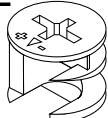
A x 02



B x 02



C x 02



E x 02

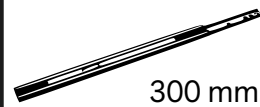


3.5 x 15 mm.

F x 02



G x 01

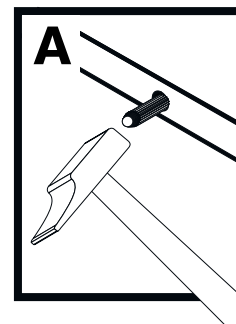
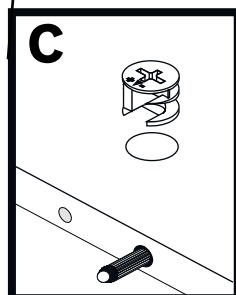
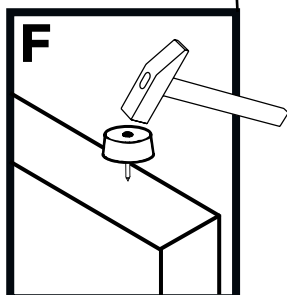
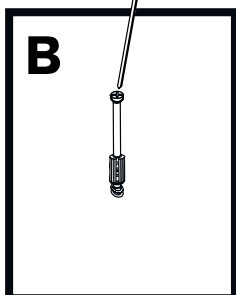
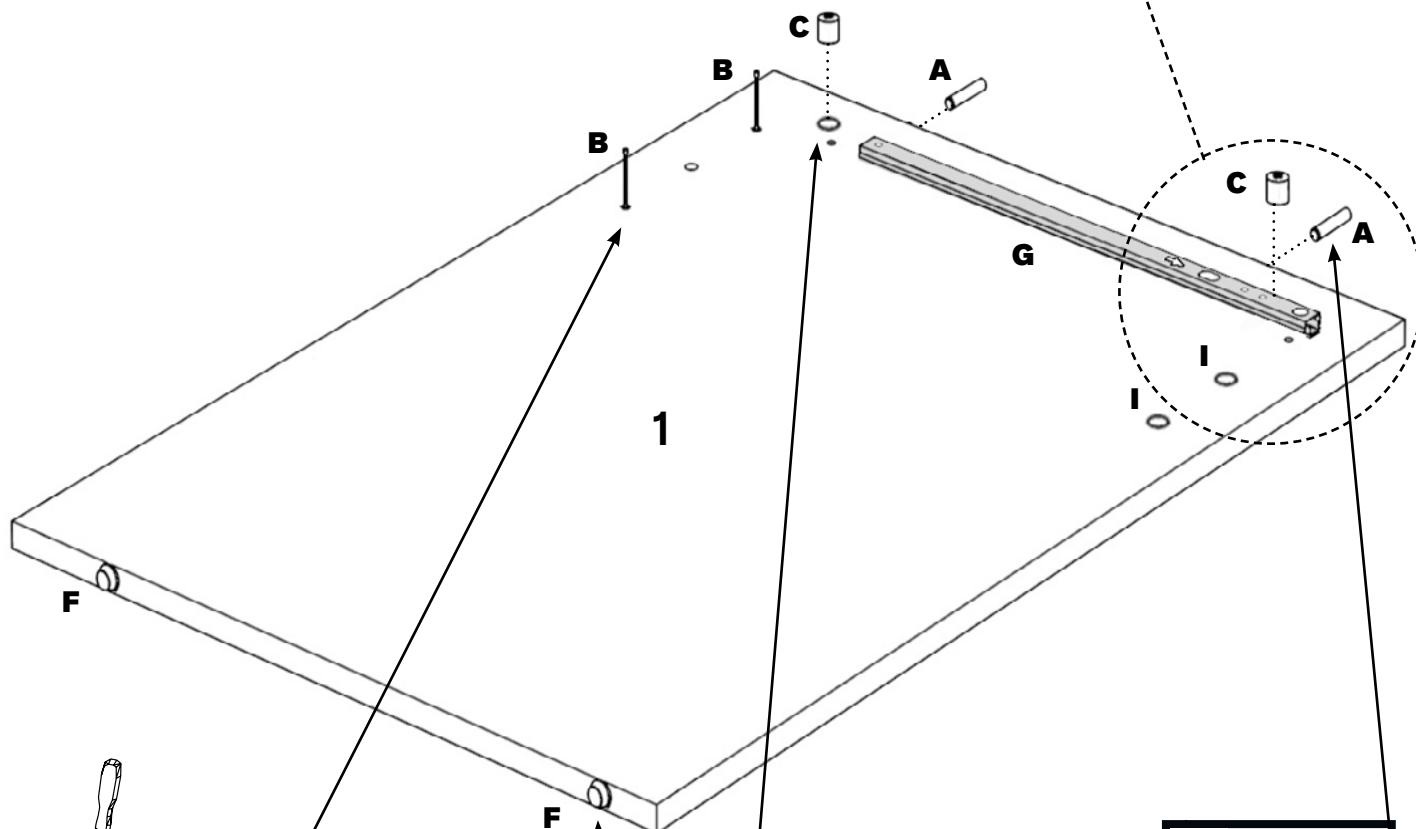
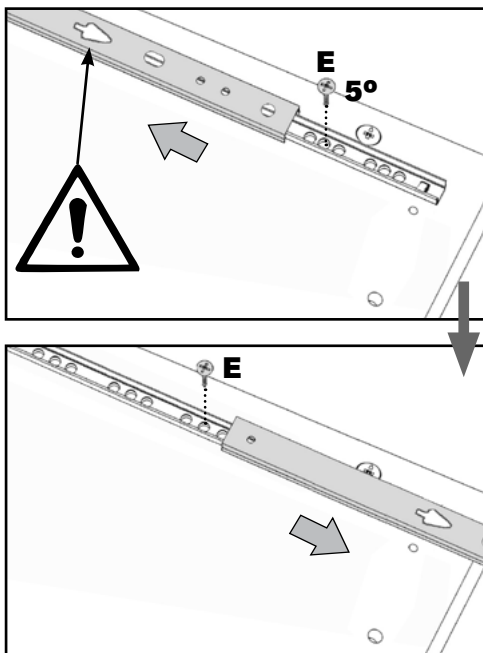
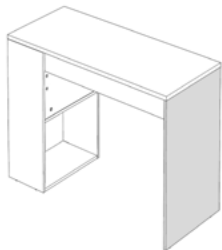


300 mm.

I x 02

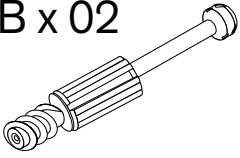


13 mm.

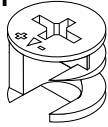


2

B x 02



C x 04

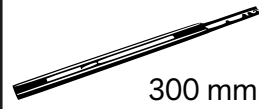


E x 02



3.5 x 15 mm.

G x 01

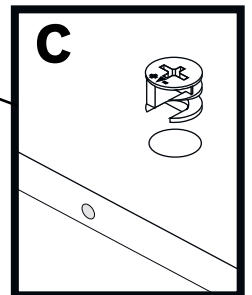
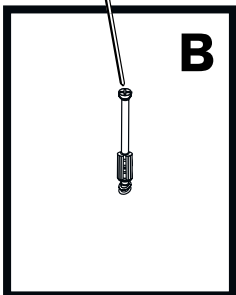
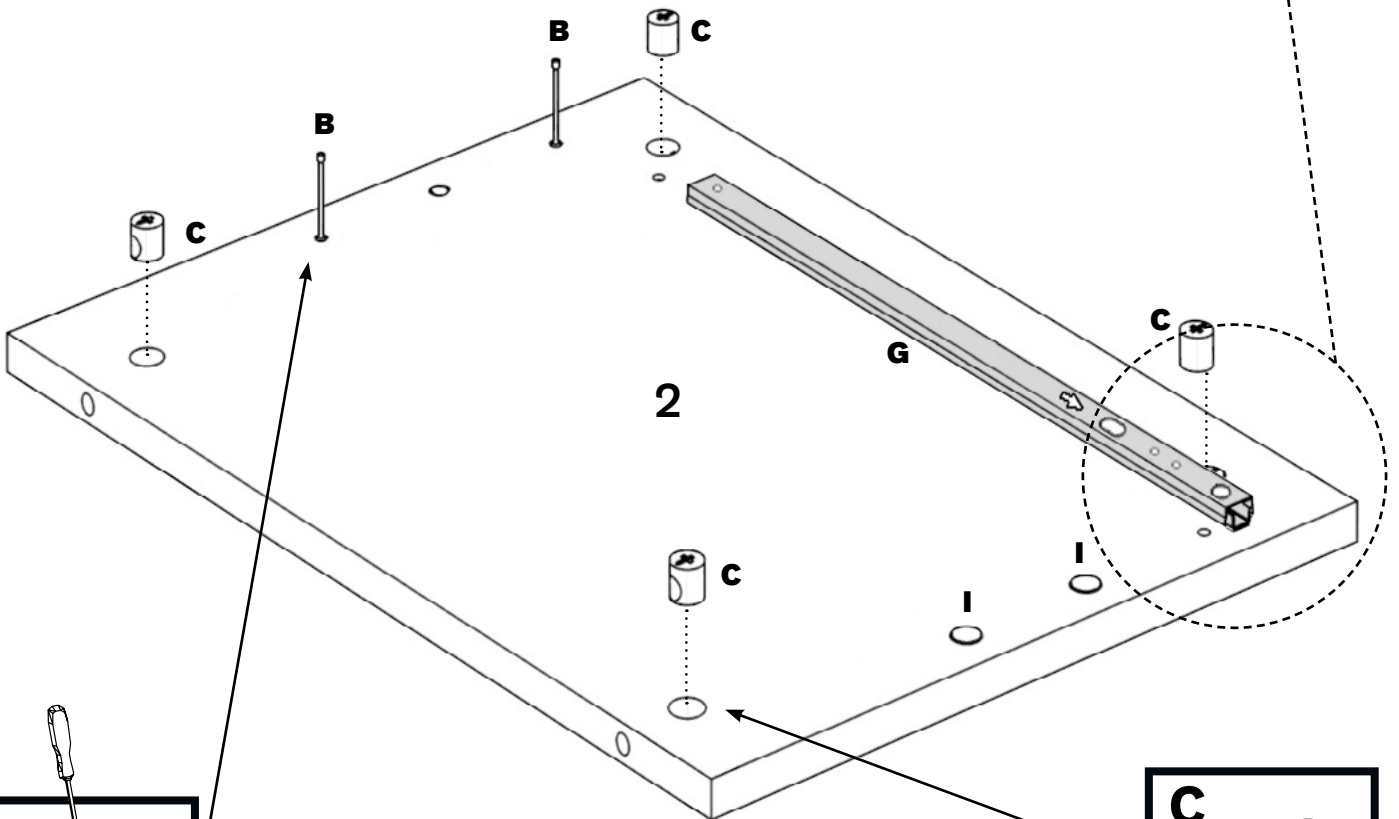
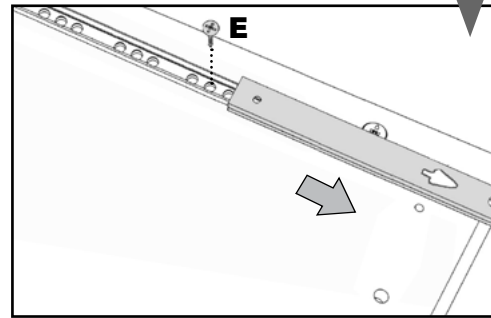
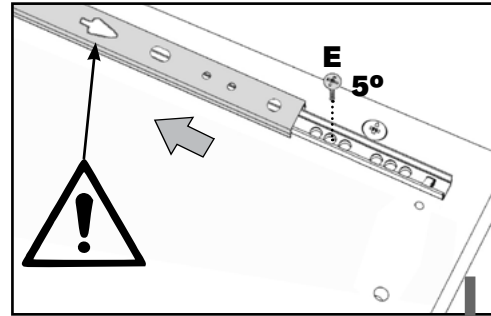
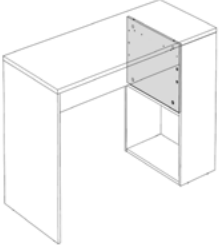


300 mm.

I x 02

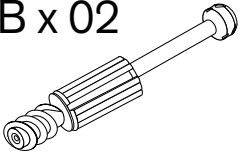


13 mm.

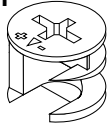


2

B x 02



C x 04

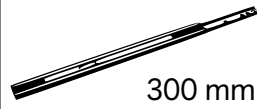


E x 02



3.5 x 15 mm.

G x 01

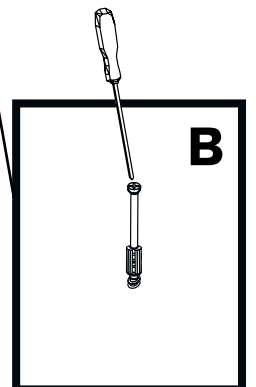
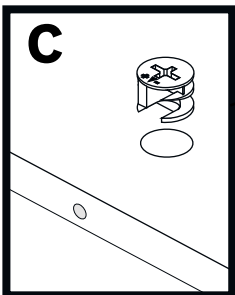
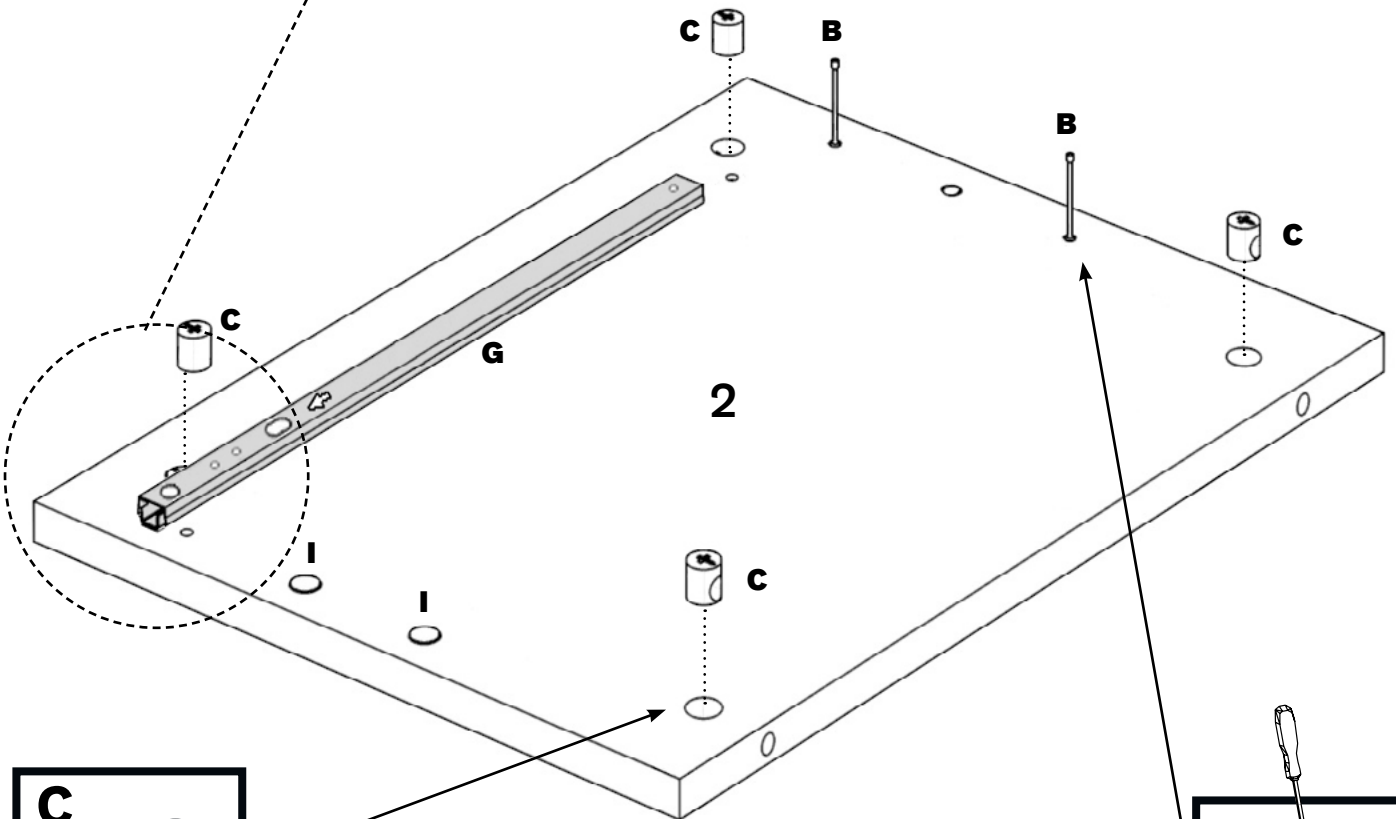
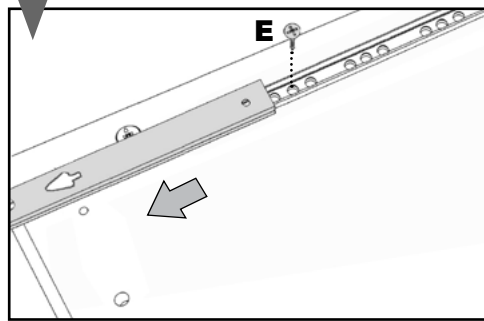
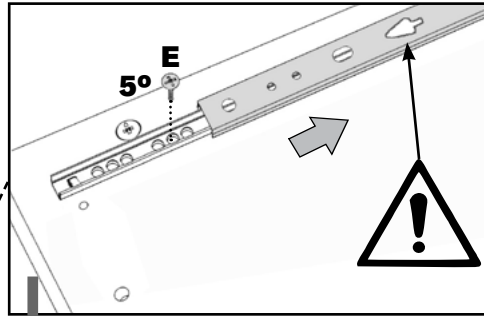
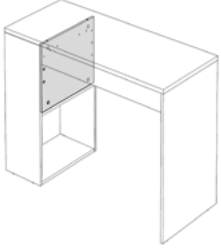


300 mm.

I x 02

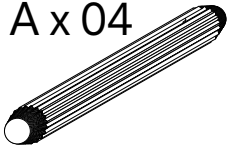


13 mm.

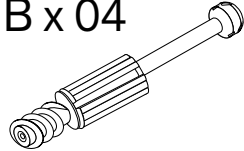


3

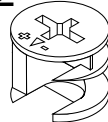
A x 04



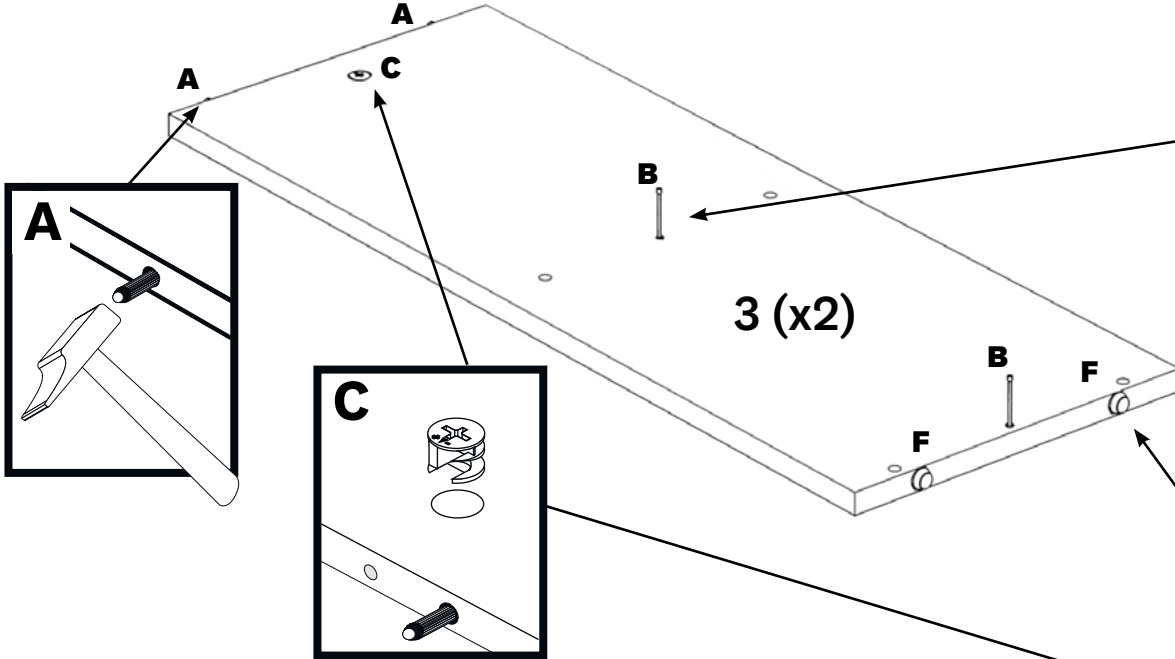
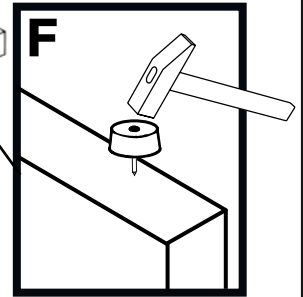
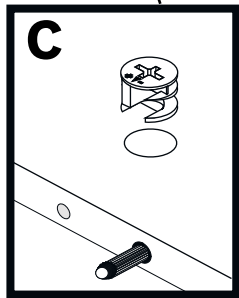
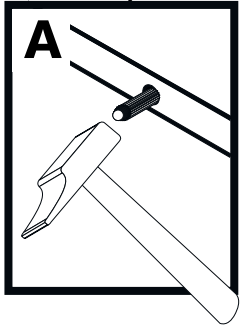
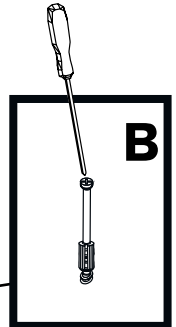
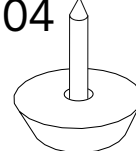
B x 04



C x 02

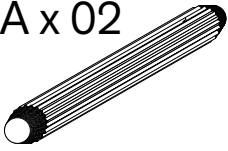


F x 04

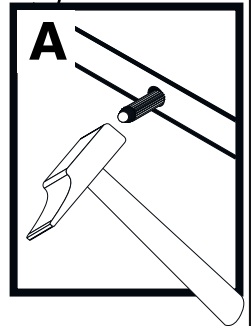
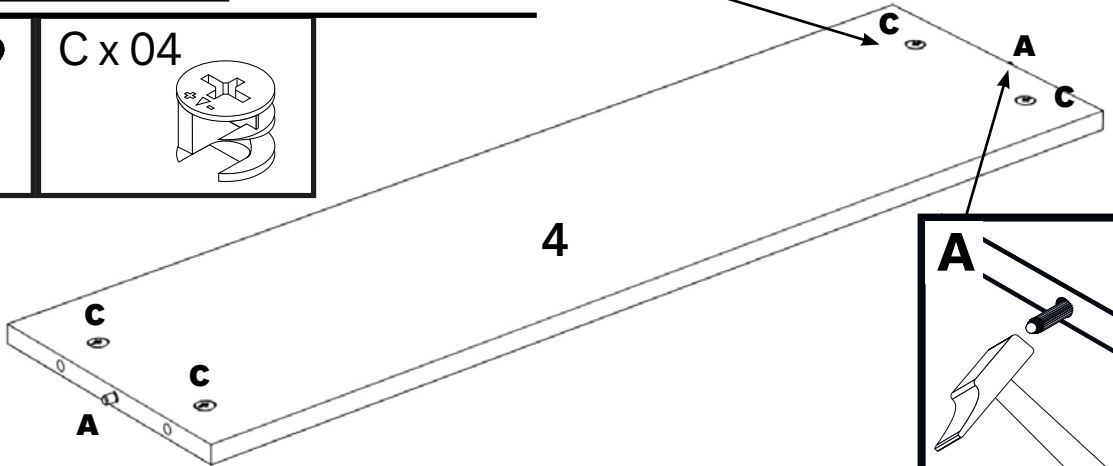
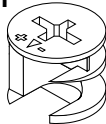


4

A x 02

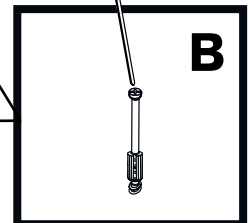
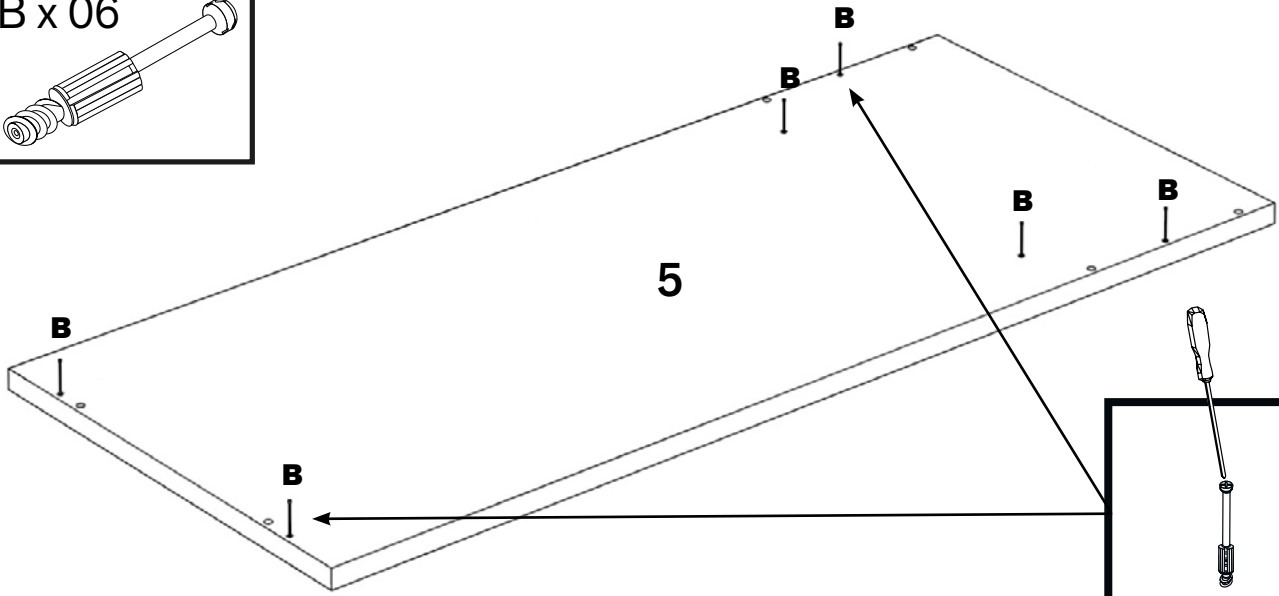
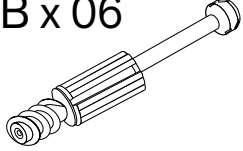


C x 04



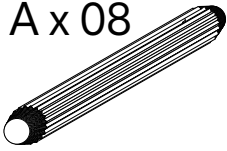
5

B x 06

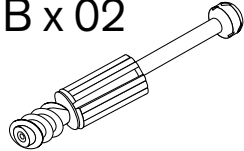


6

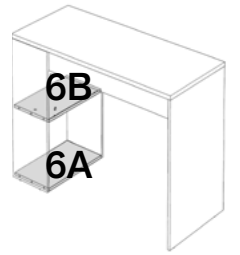
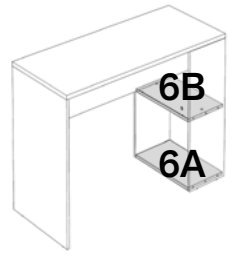
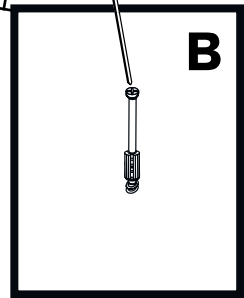
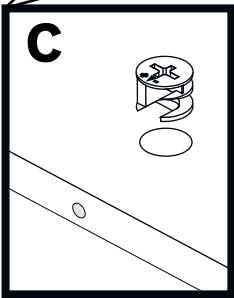
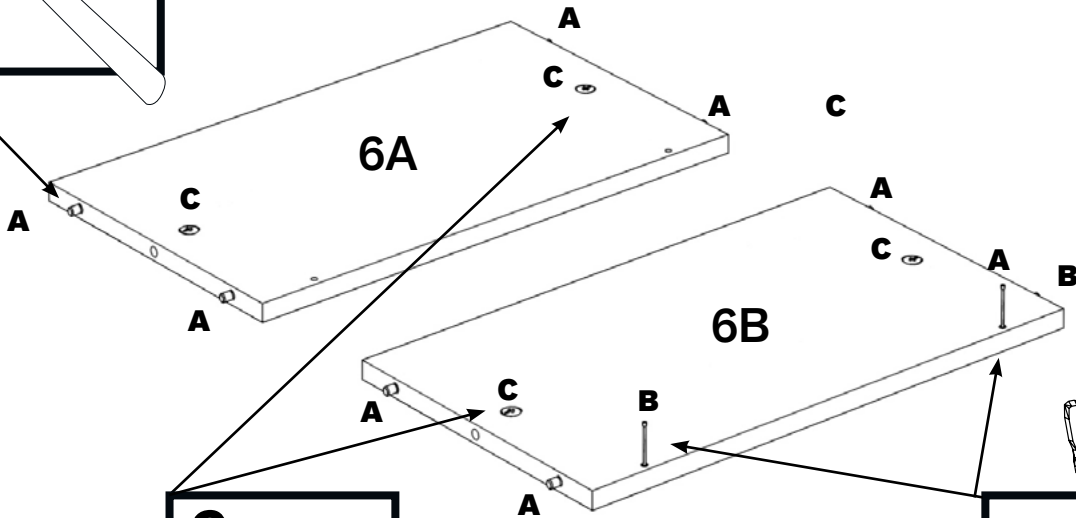
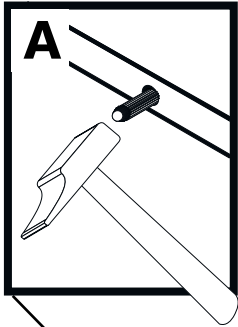
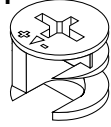
A x 08



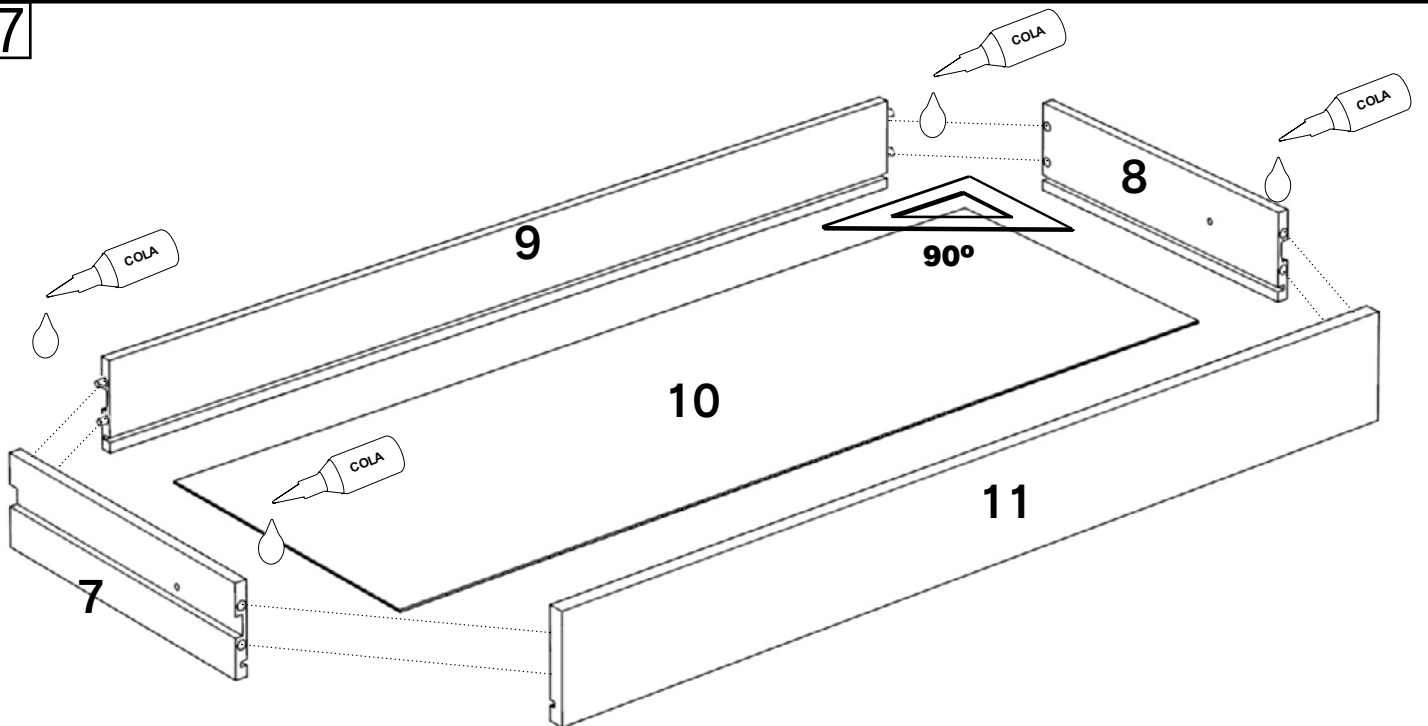
B x 02



C x 04



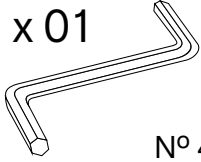
7





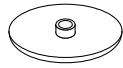
8

H x 01

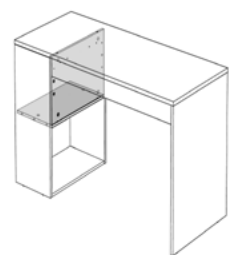
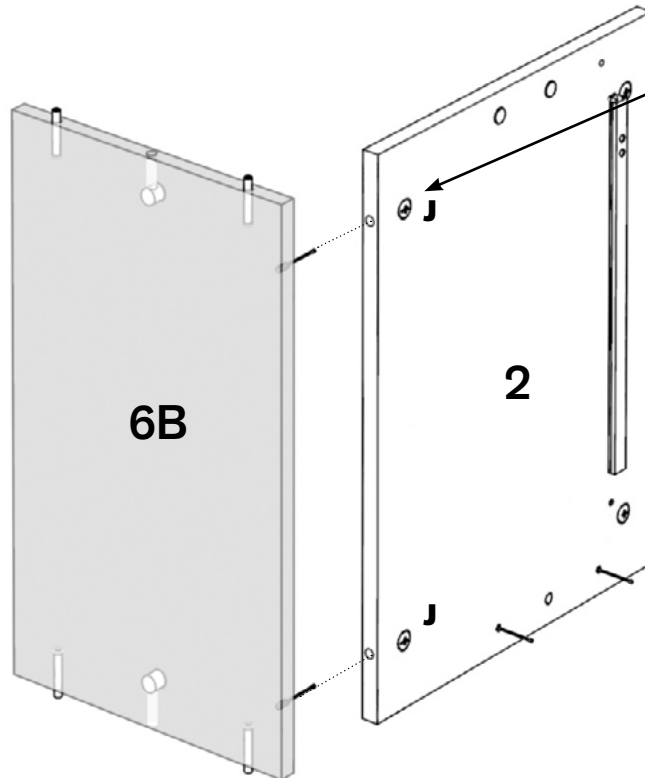
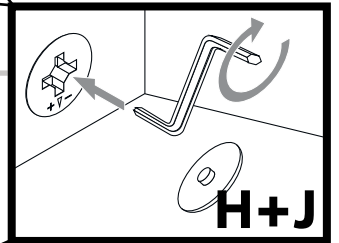
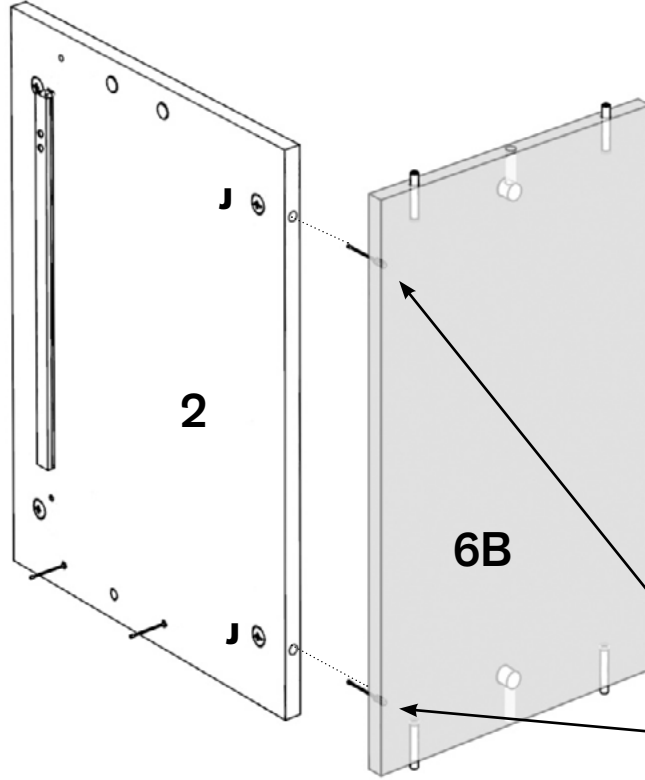
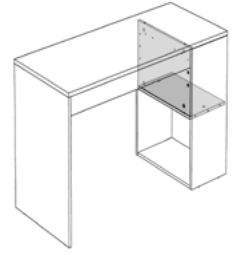


N° 4

J x 02

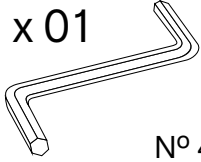


15 mm.



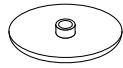
9

H x 01

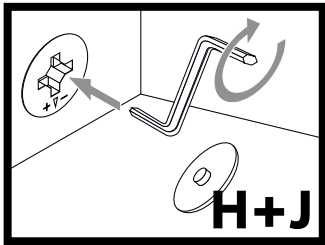
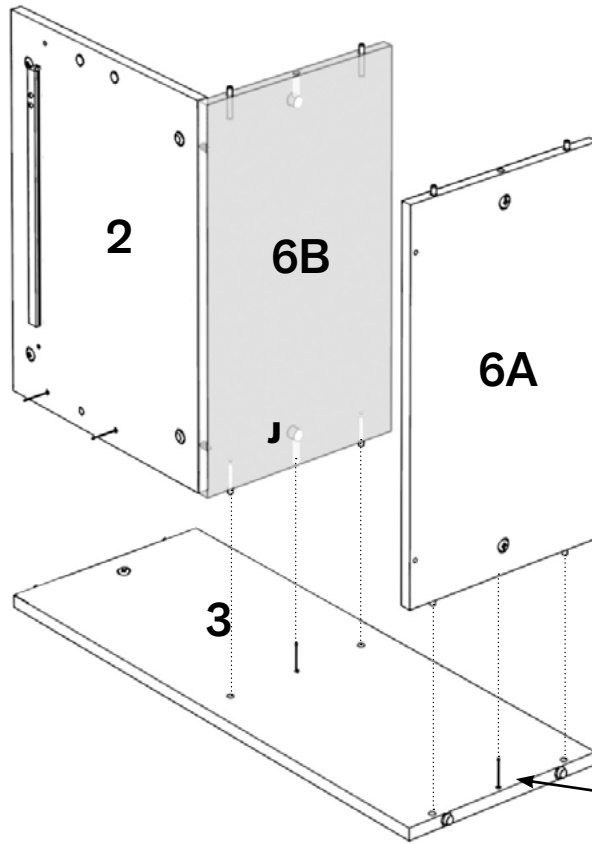
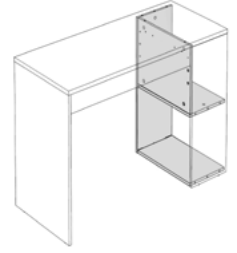


N° 4

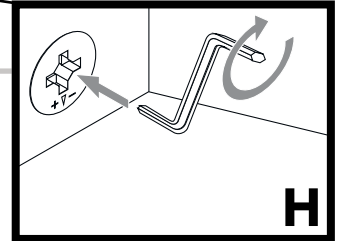
J x 01



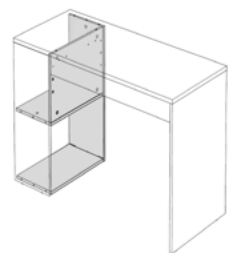
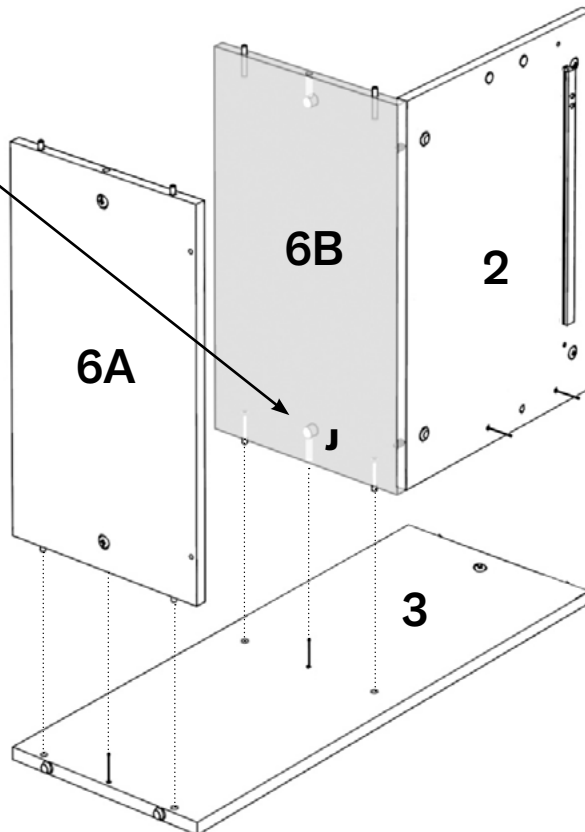
15 mm.



H+J

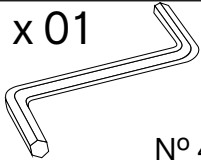


H



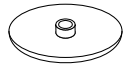
10

H x 01

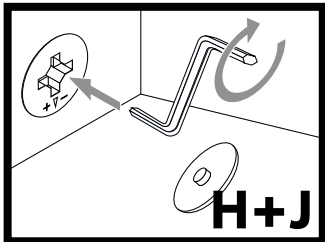
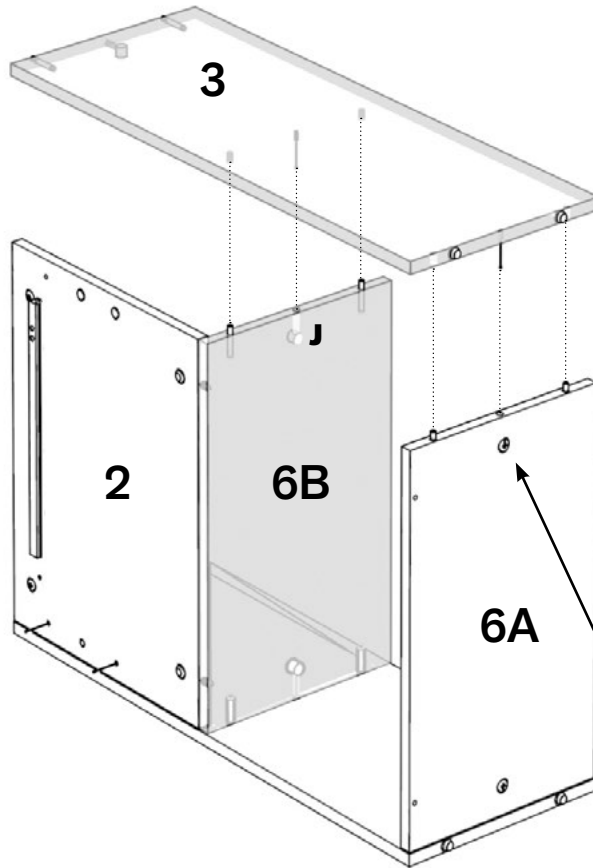
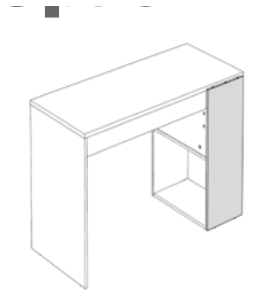


N° 4

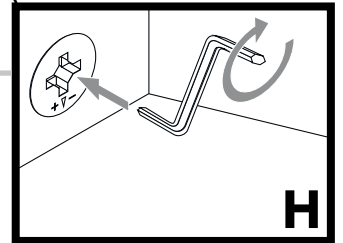
J x 01



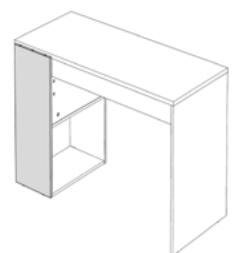
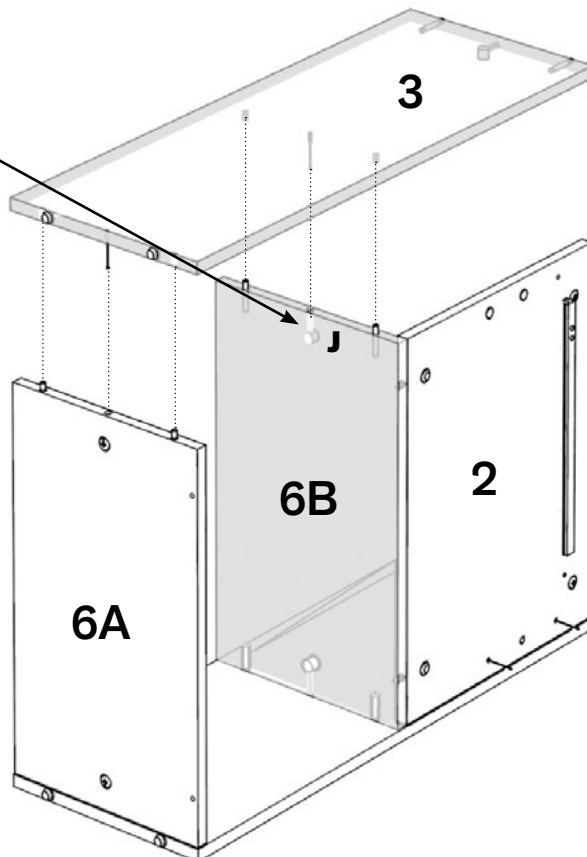
15 mm.



H+J

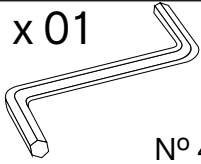


H



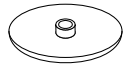
11

H x 01

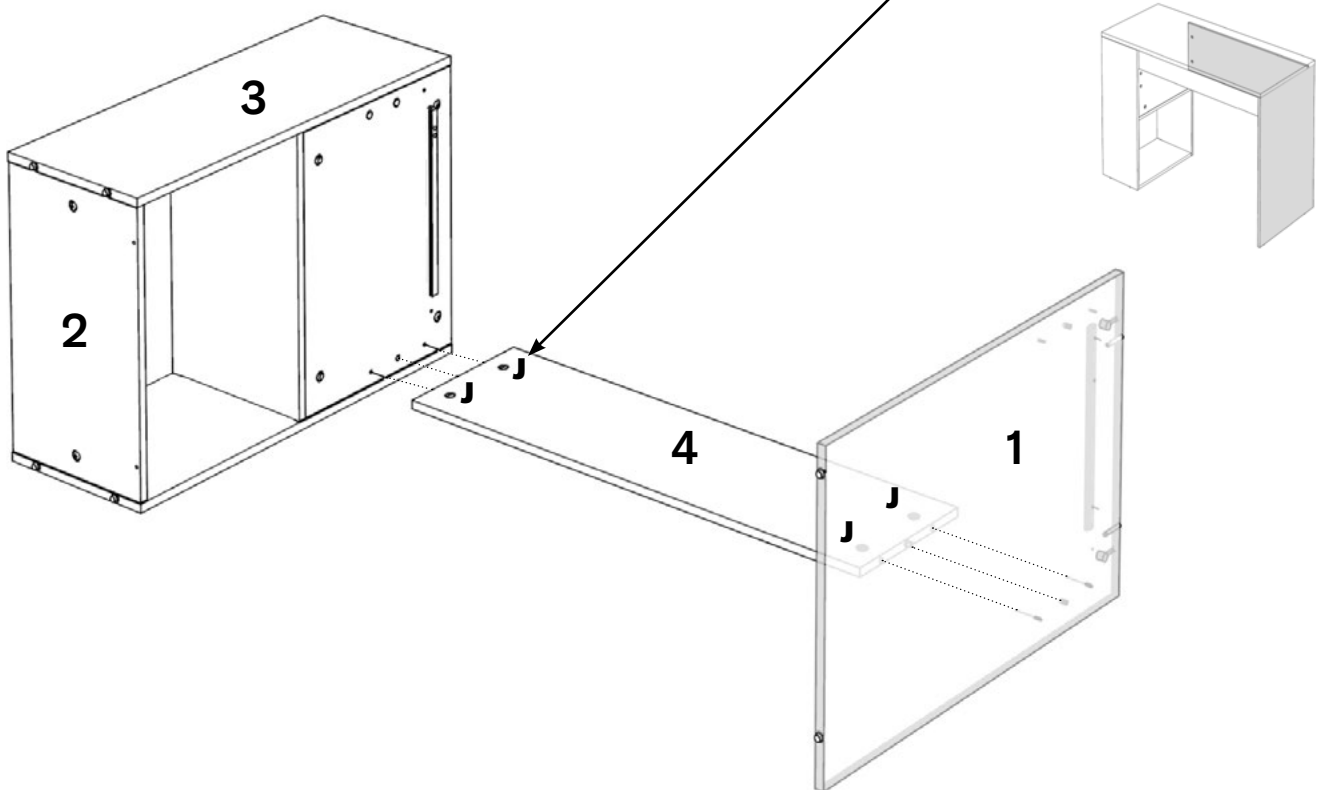
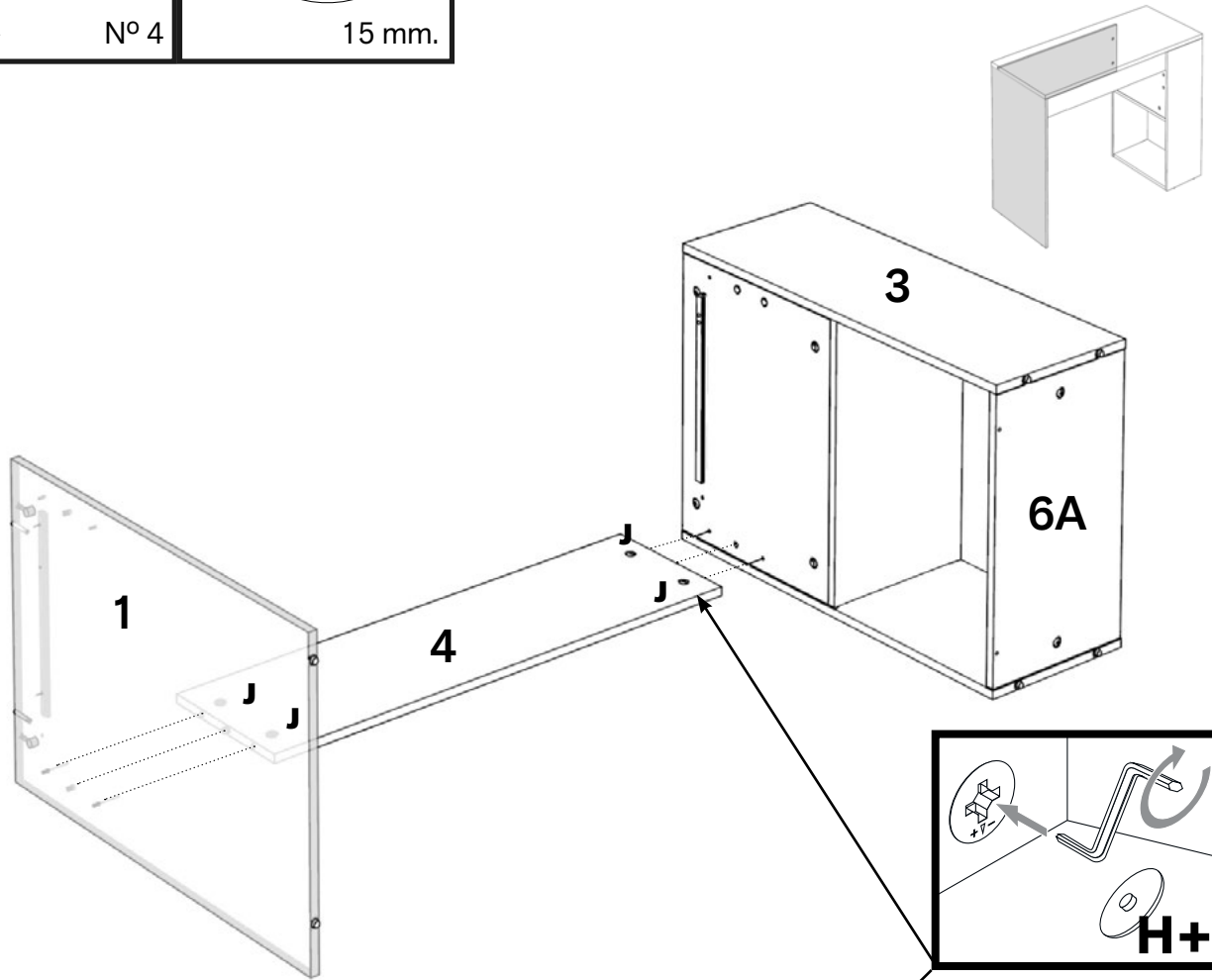


N° 4

J x 04

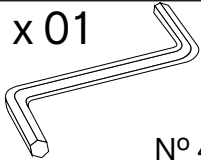


15 mm.



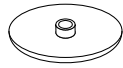
12

H x 01

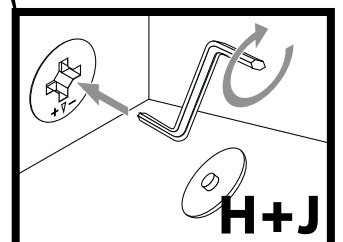
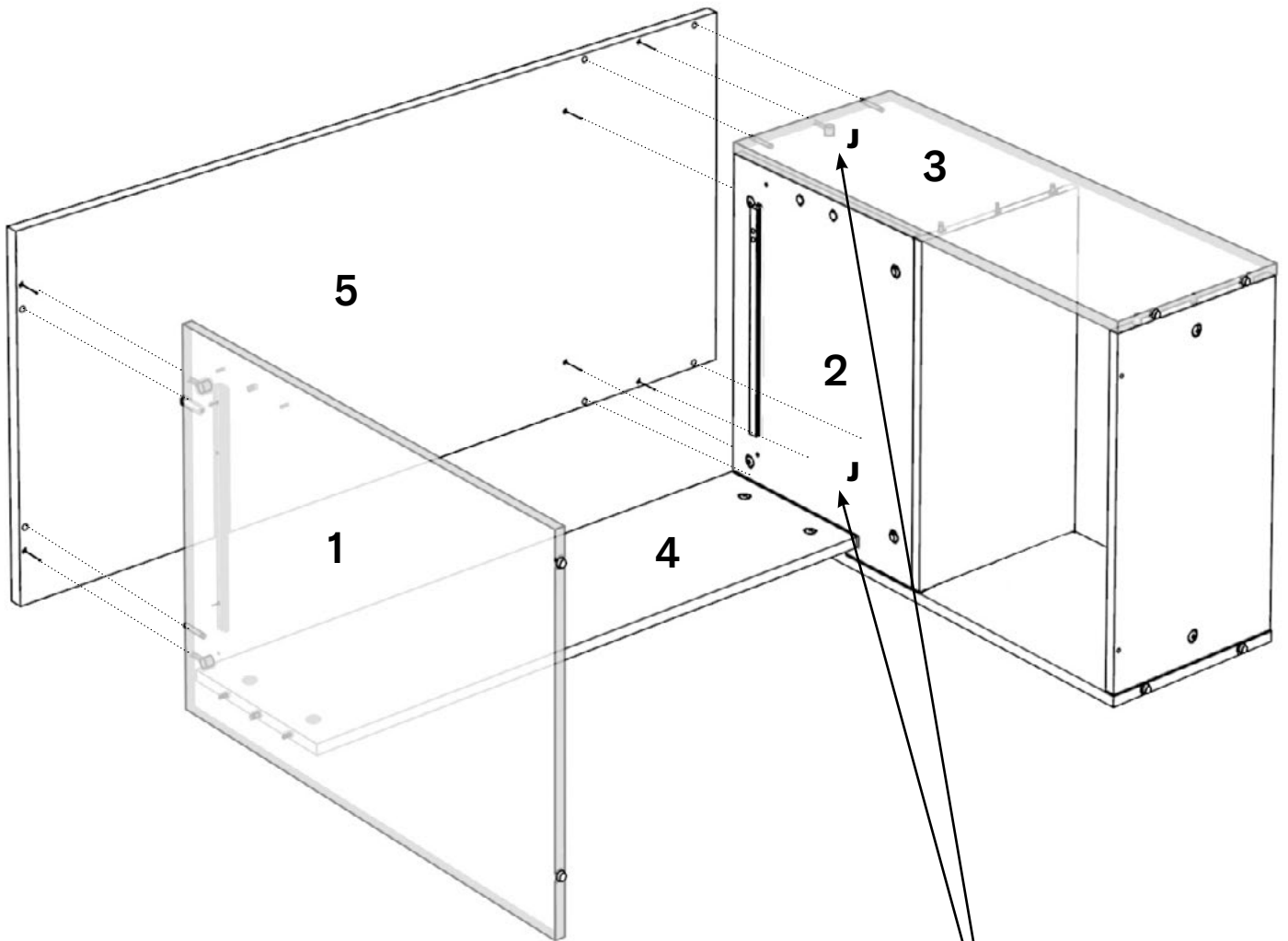
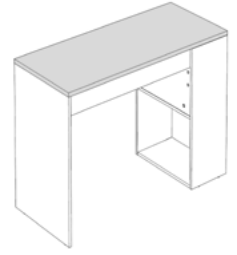


N° 4

J x 02

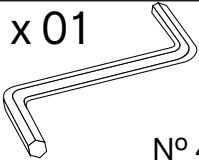


15 mm.



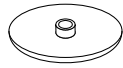
12

H x 01

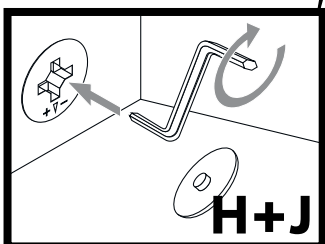
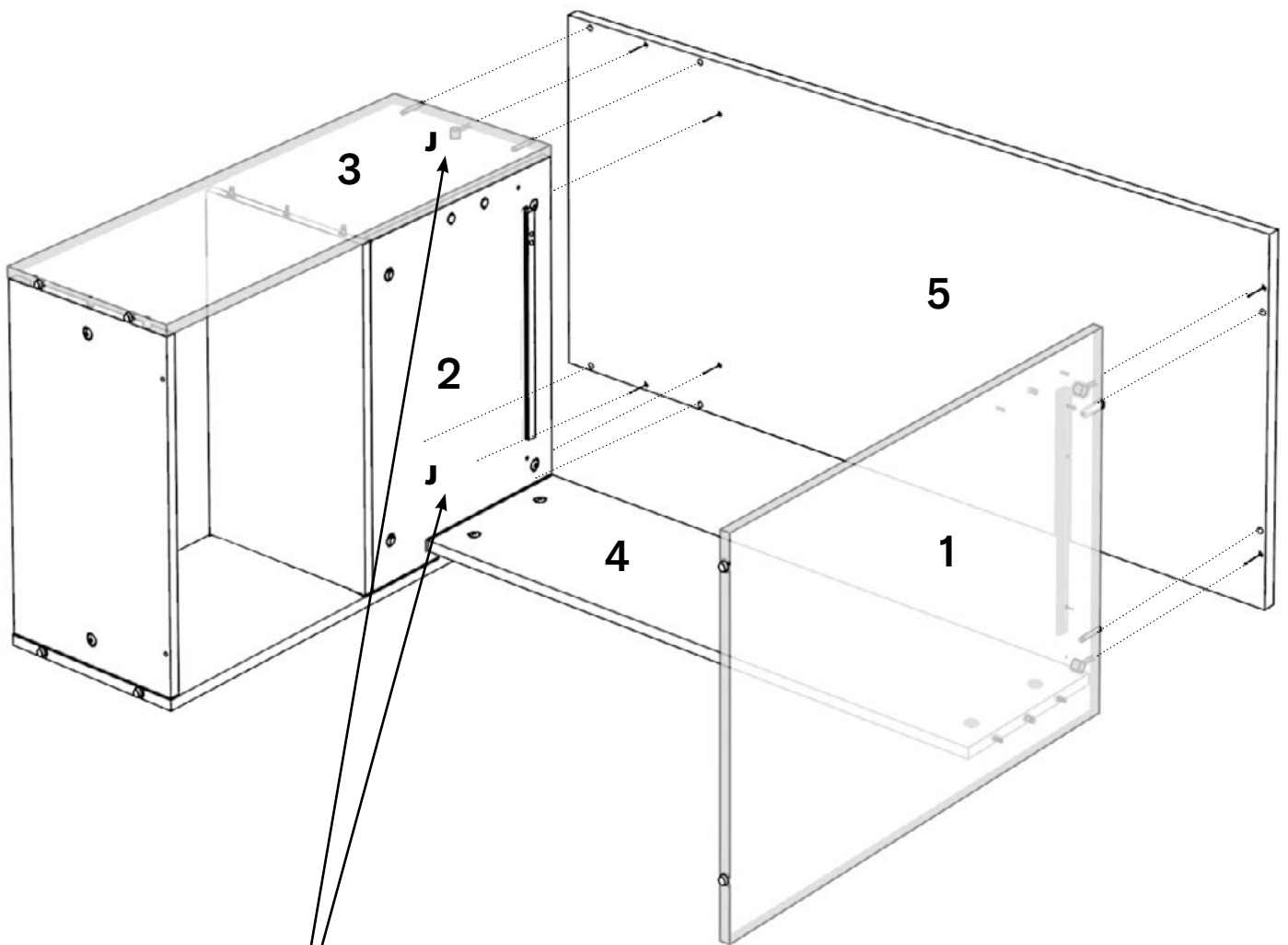
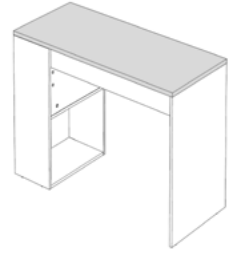


N° 4

J x 02



15 mm.



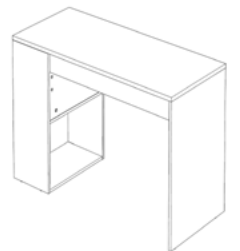
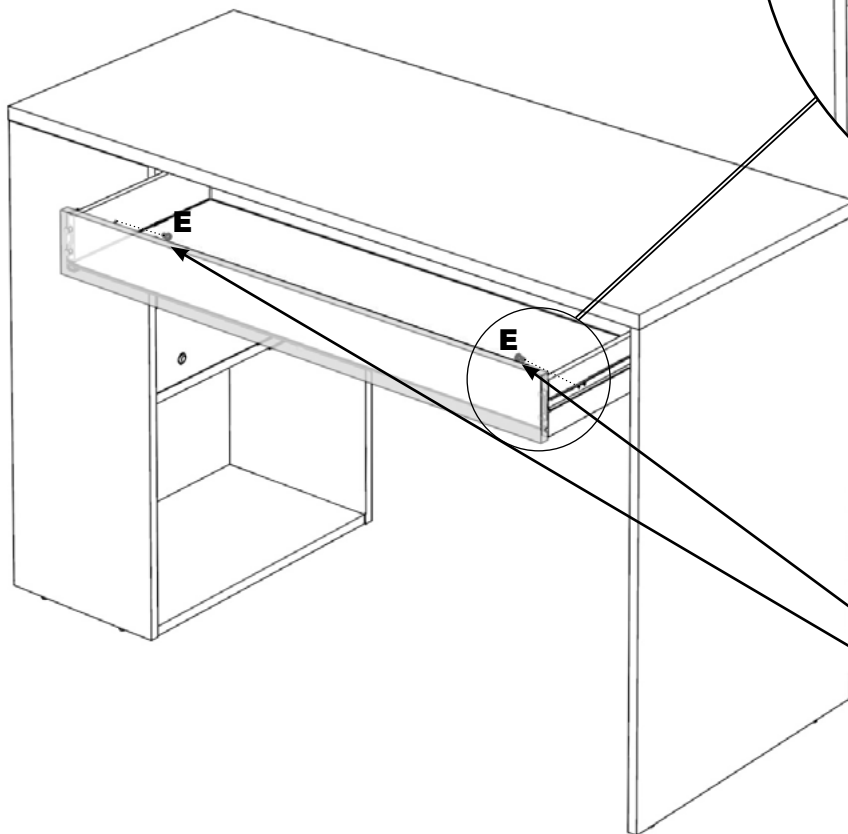
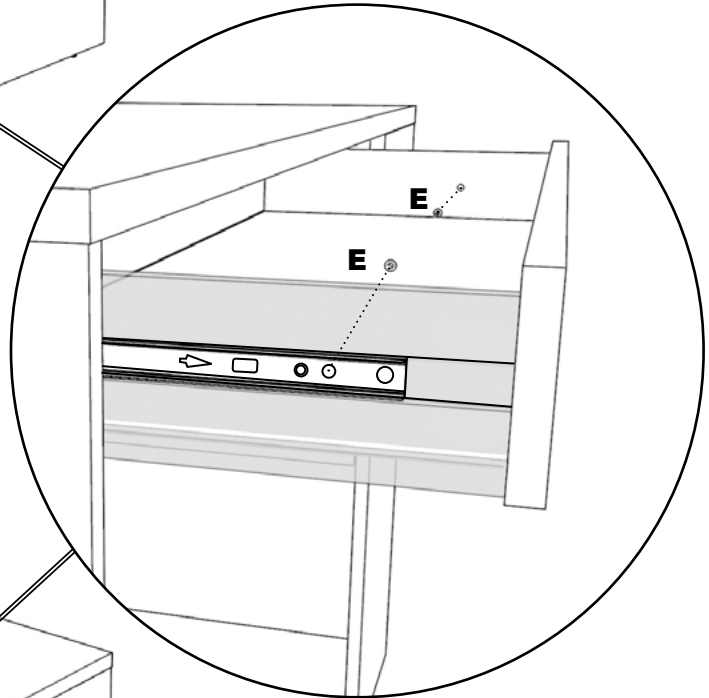
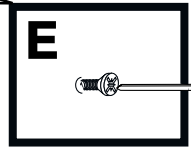
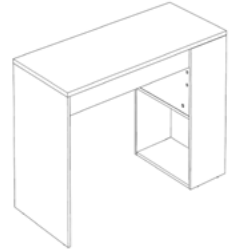
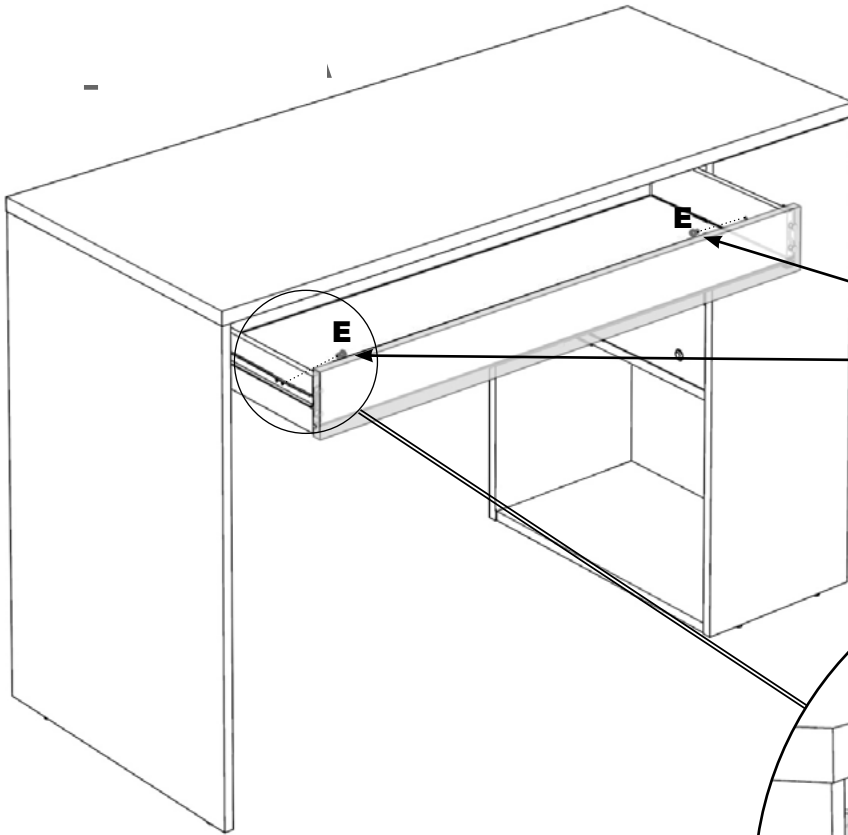
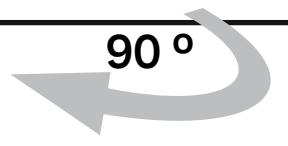
13

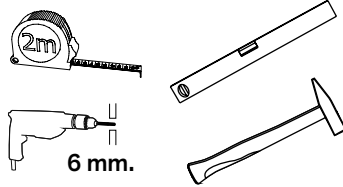
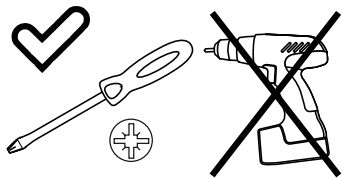
E x 02



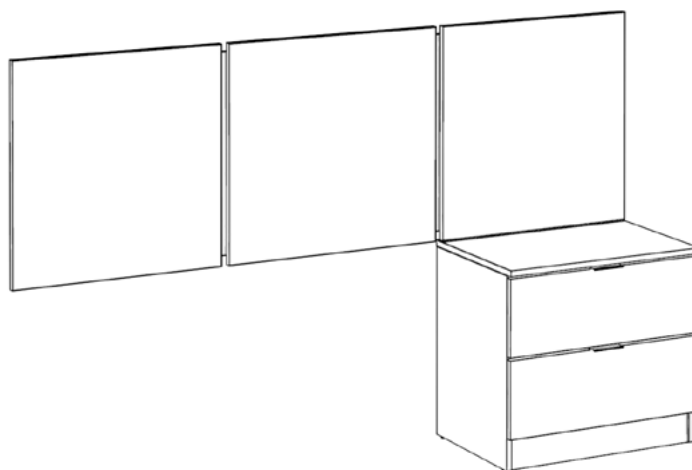
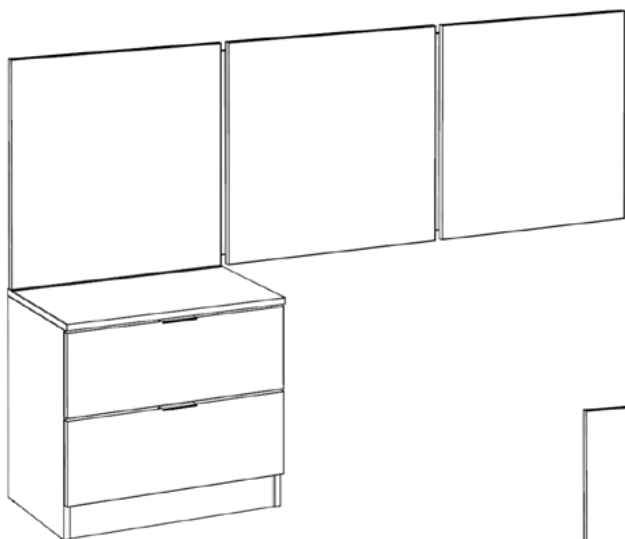
M4 x 8 mm.

90°

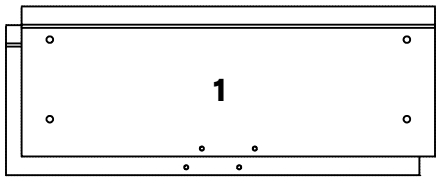




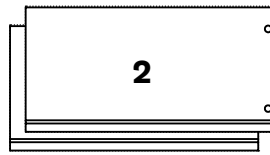
2 h.







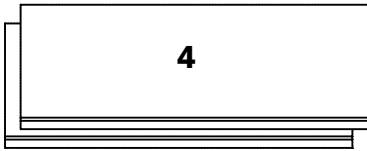
500 x 179 mm.



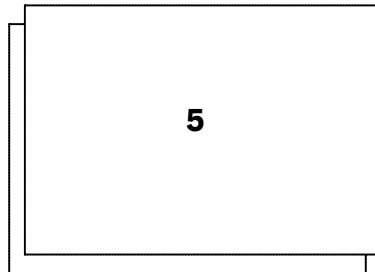
300 x 150 mm.



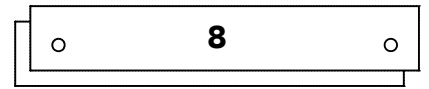
300 x 150 mm.



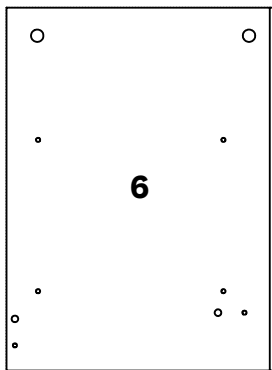
420 x 150 mm.



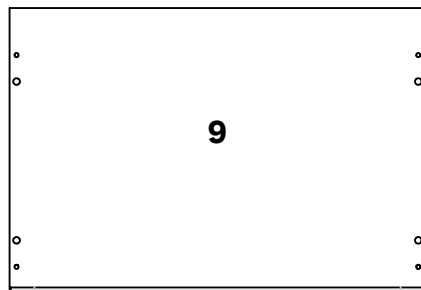
431 x 301 mm.



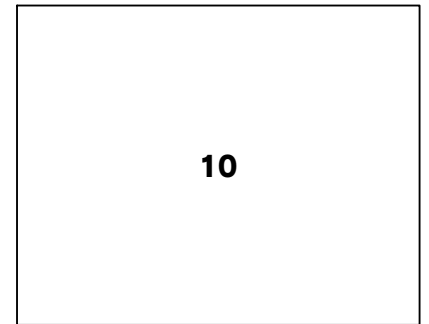
470 x 77 mm.



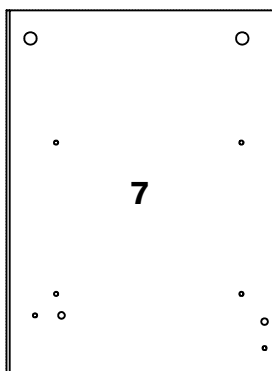
439 x 322 mm.



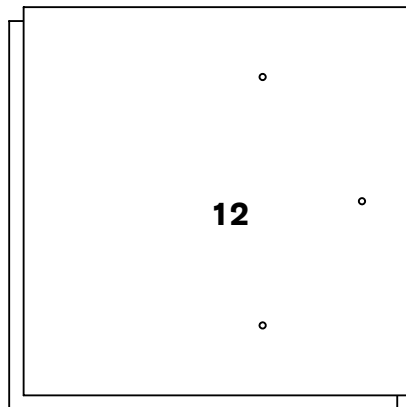
503 x 342 mm.



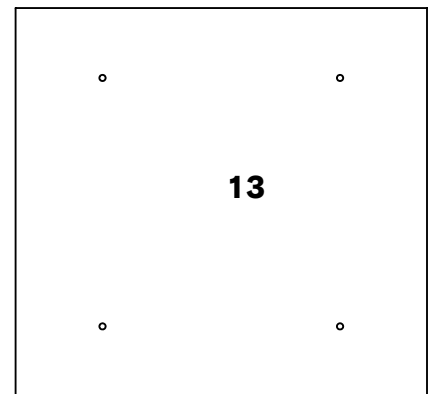
487 x 386 mm.



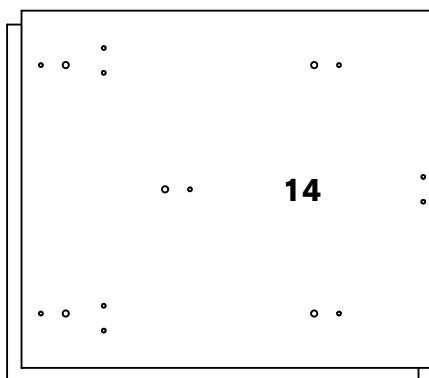
439 x 322 mm.



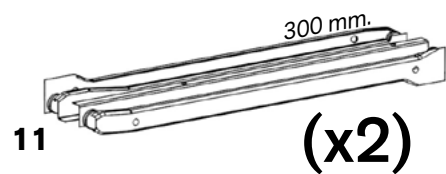
500 x 500 mm.



530 x 500 mm.



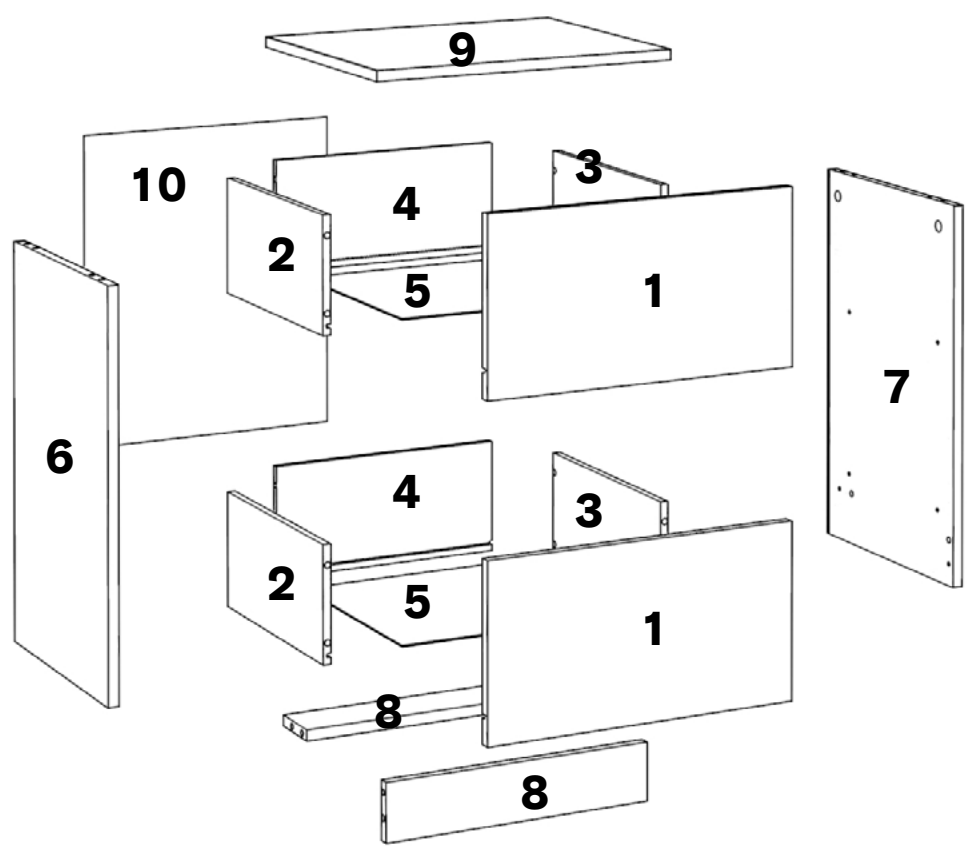
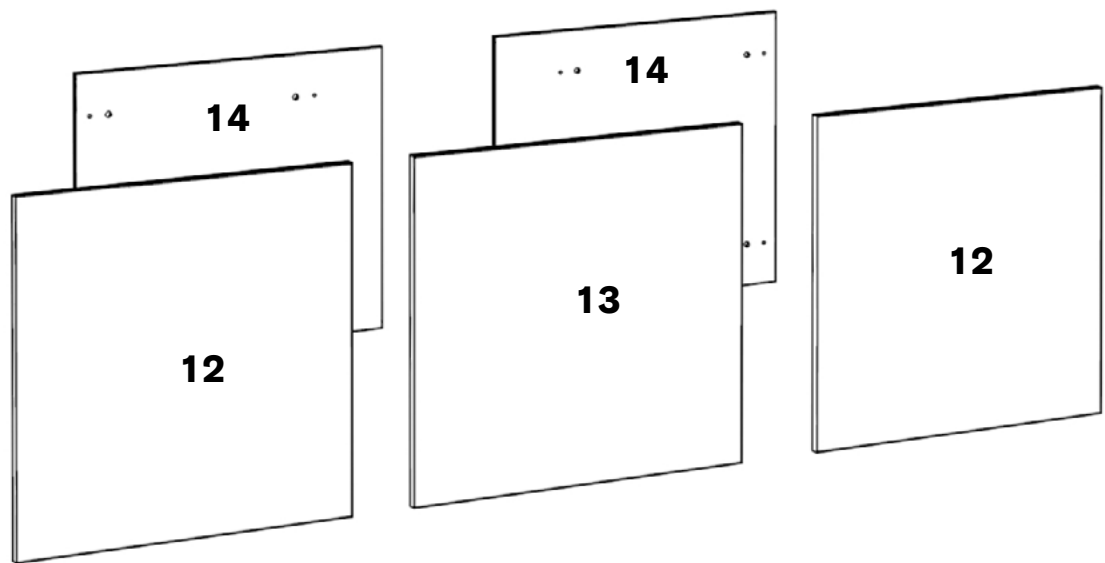
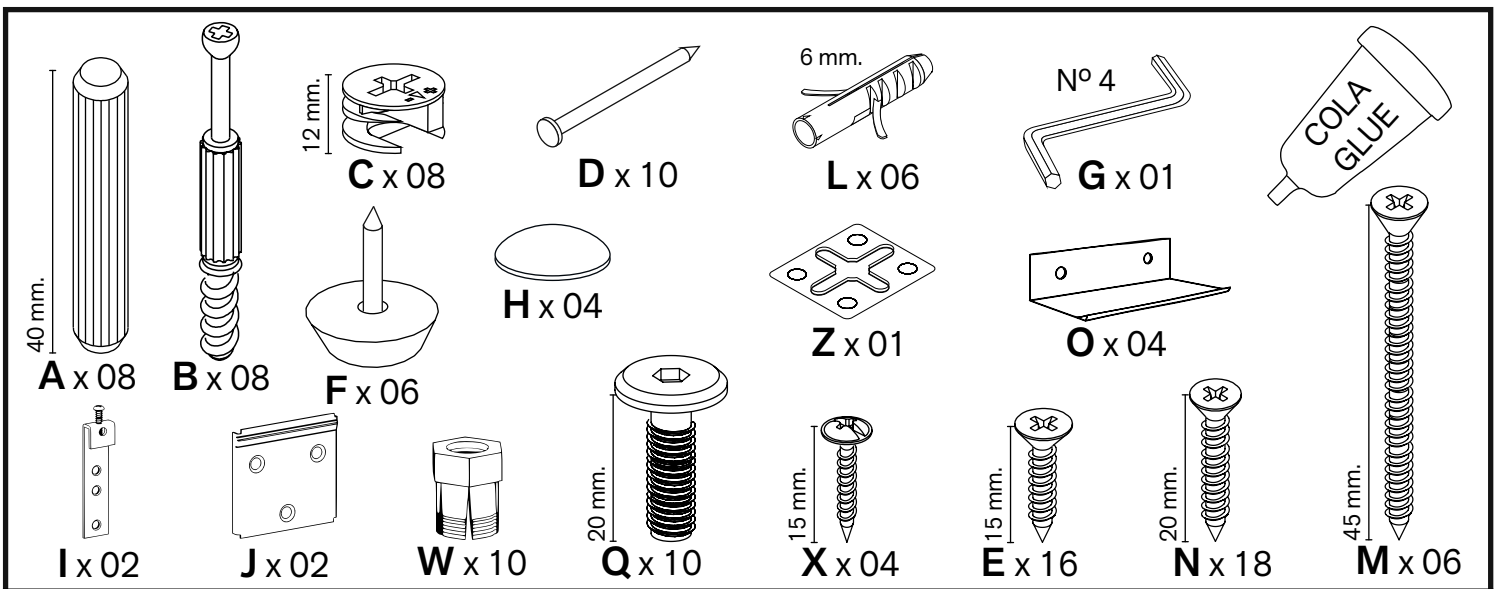
530 x 460 mm.



11

300 mm.

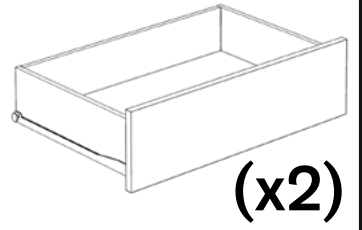
(x2)



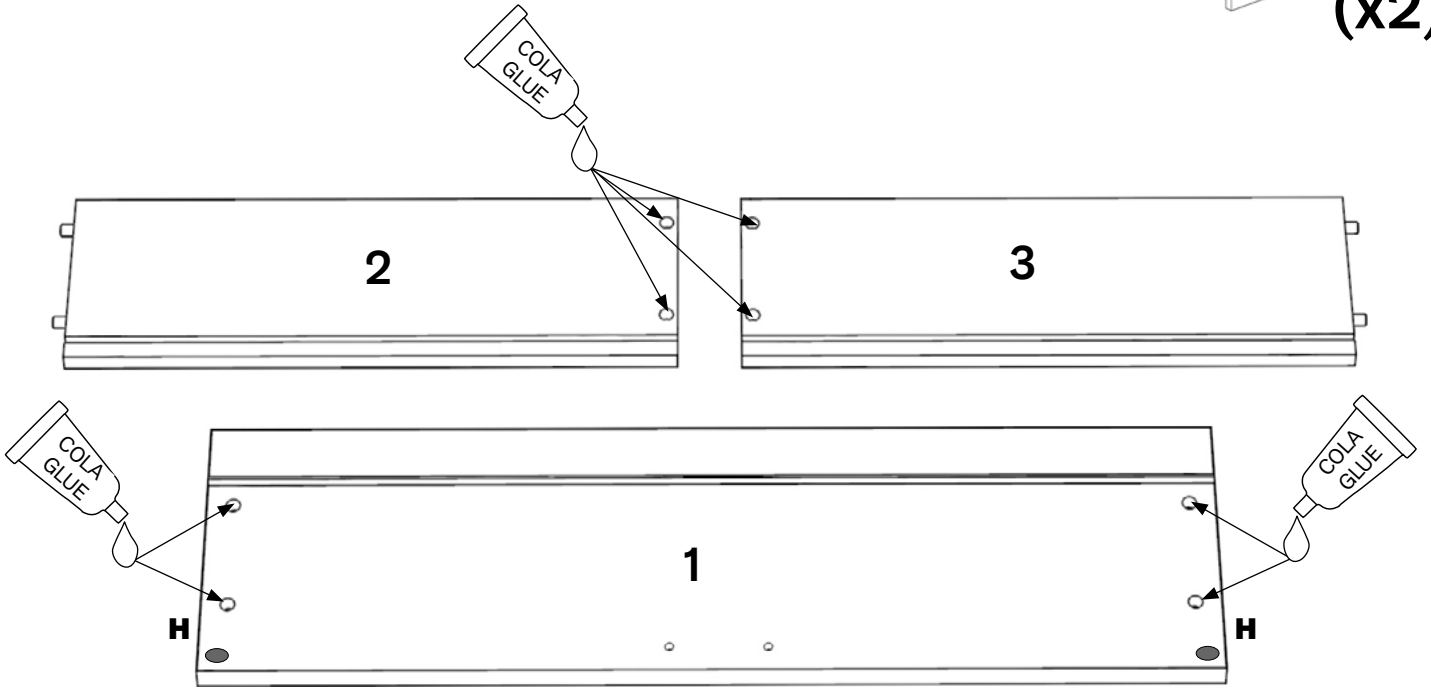
1



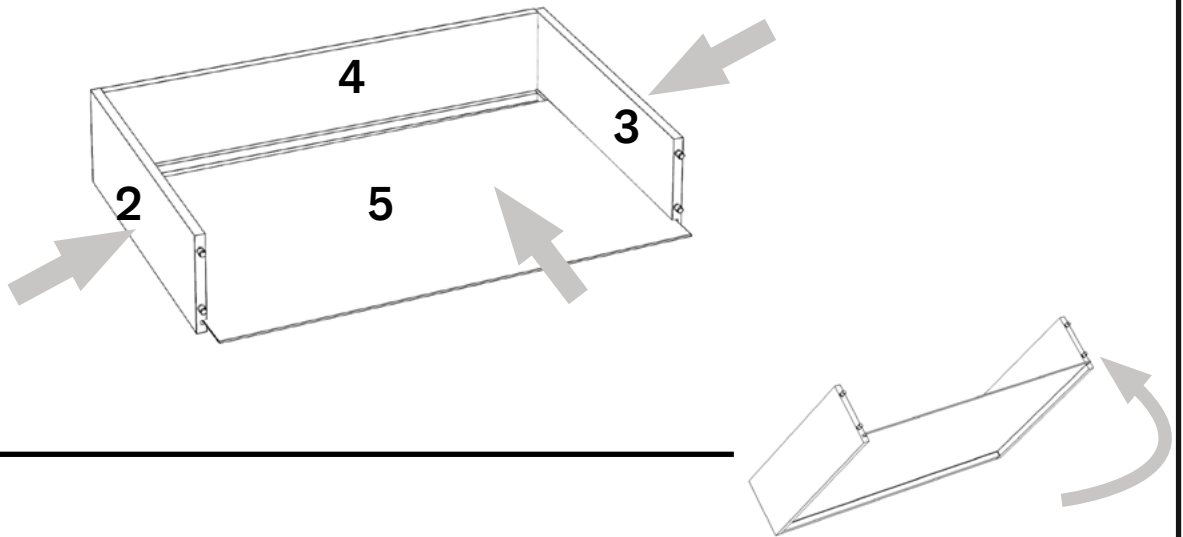
H x 04



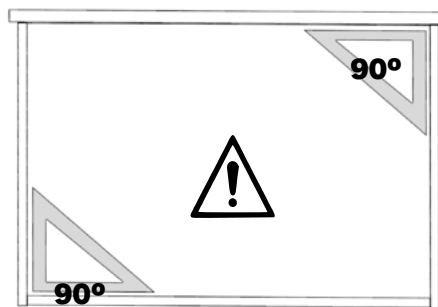
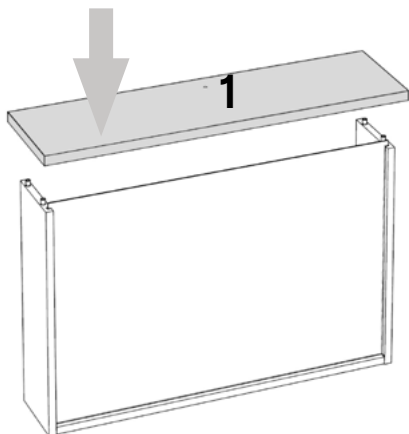
(x2)



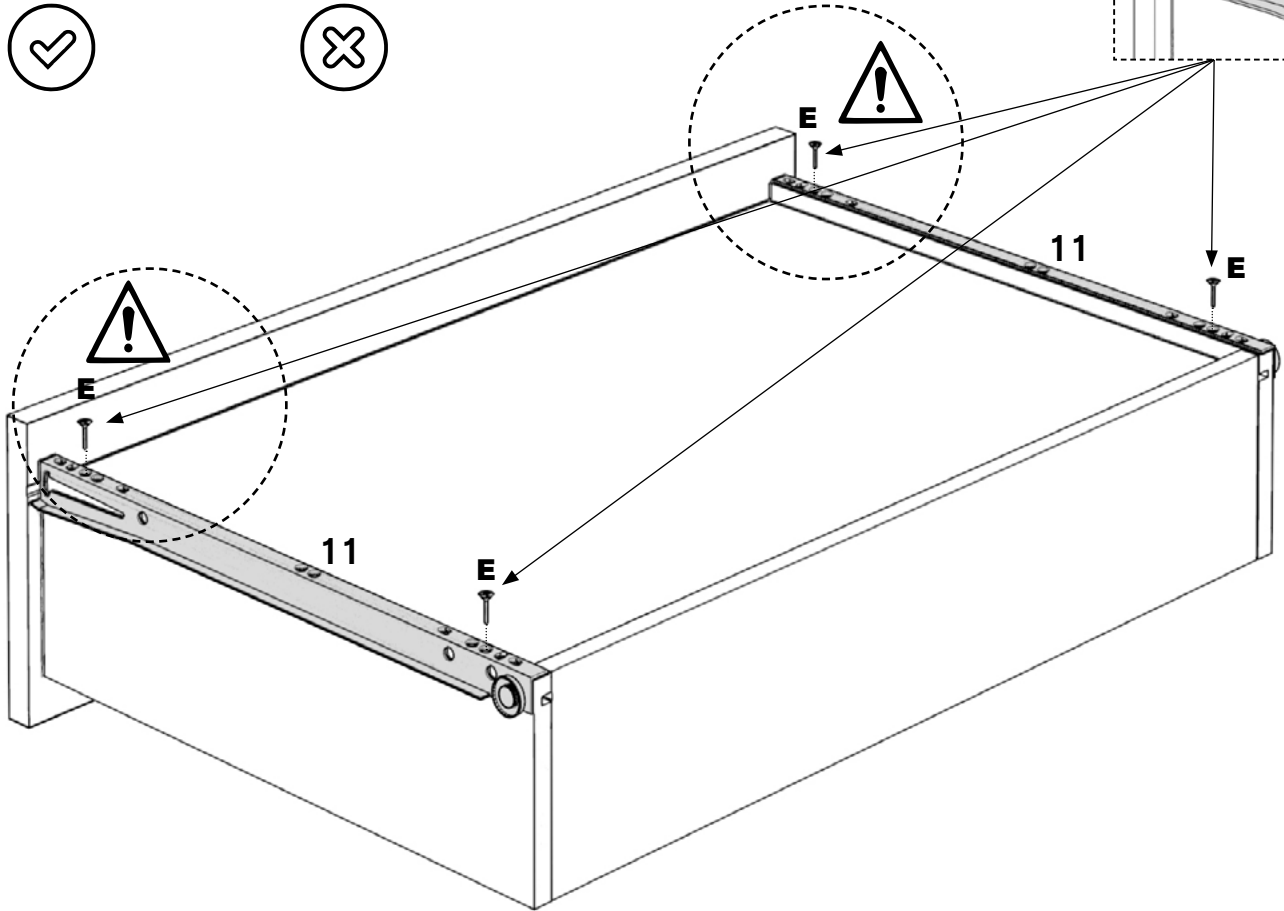
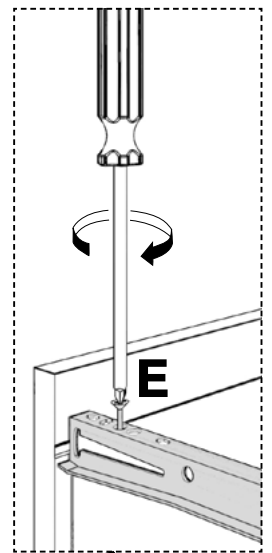
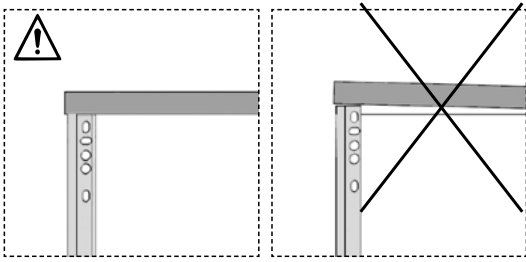
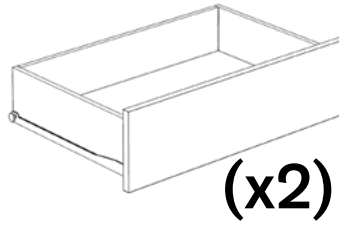
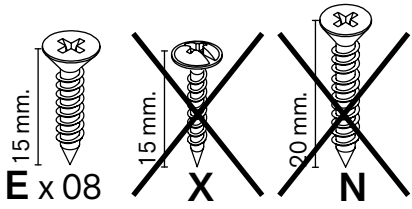
2



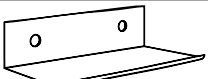
3



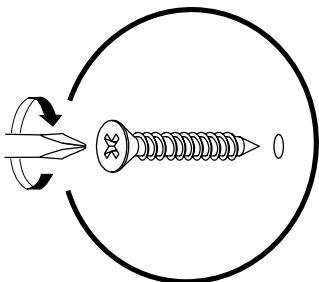
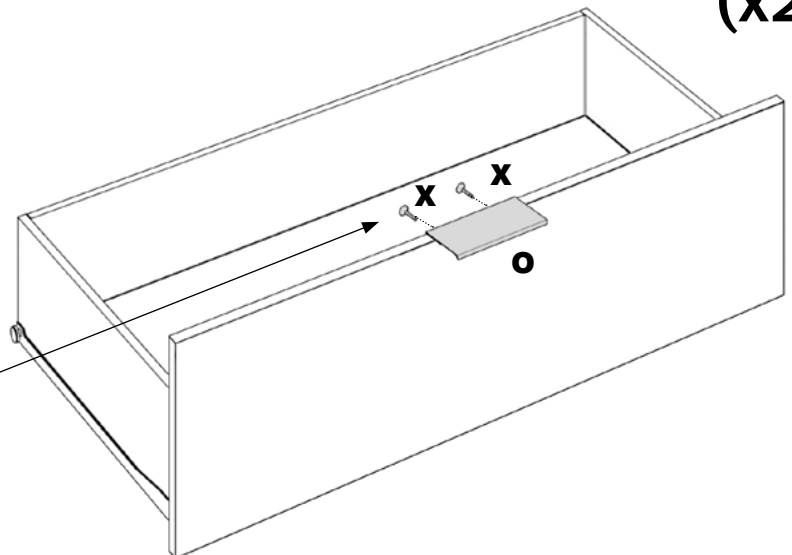
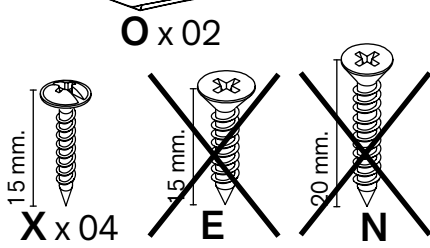
4



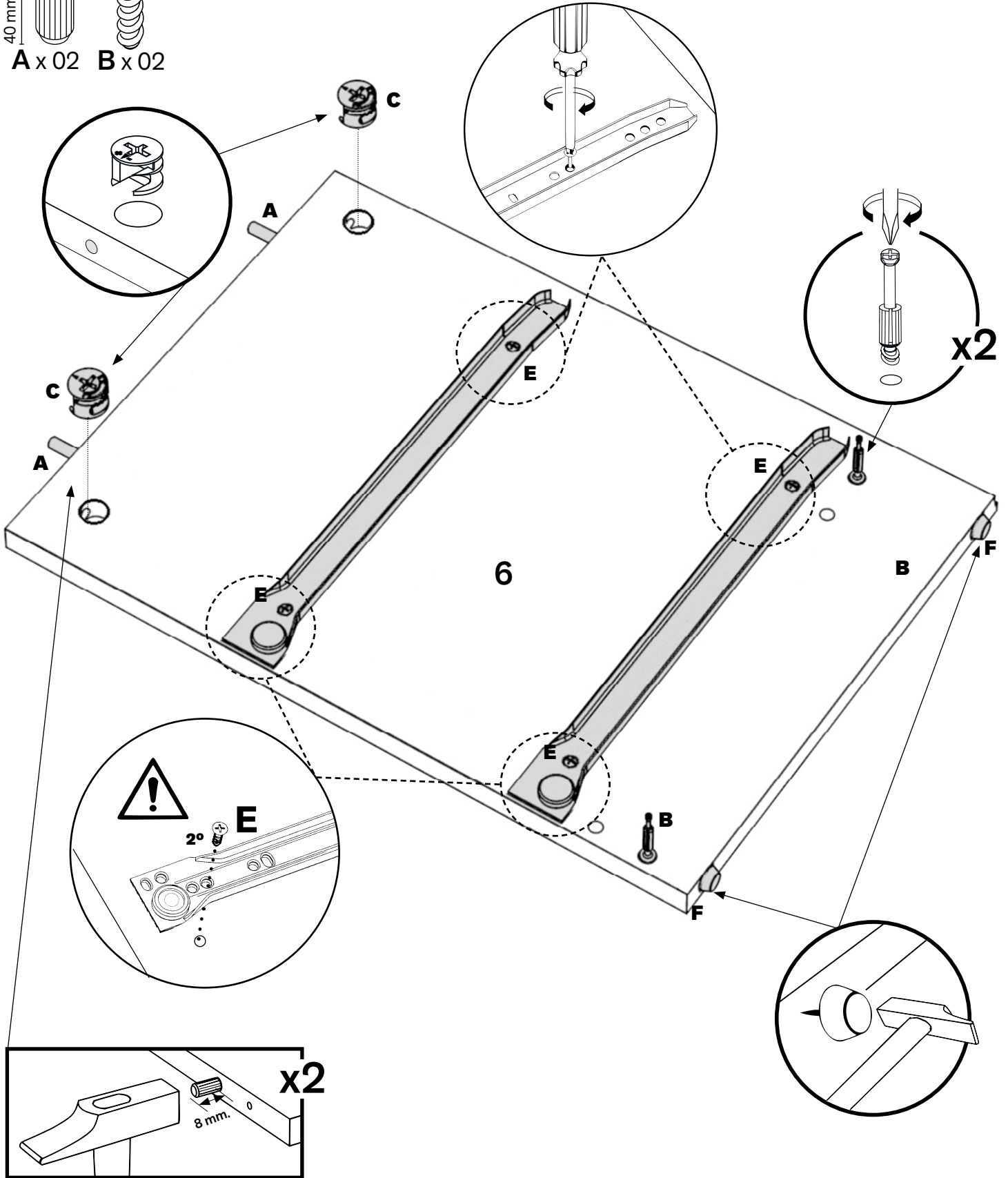
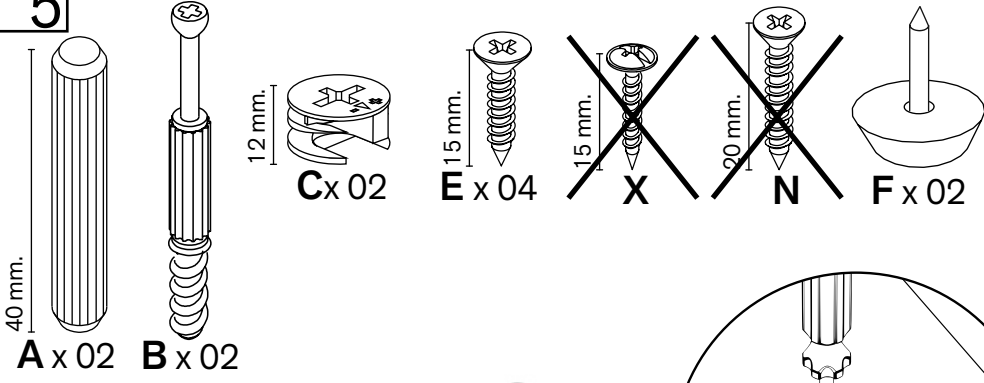
5



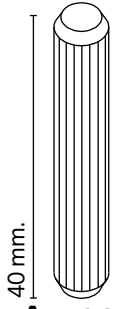
(x2)



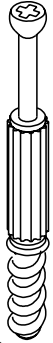
5



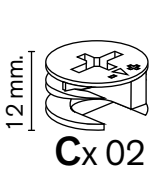
6



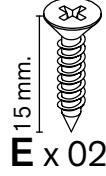
A x 02



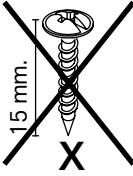
B x 02



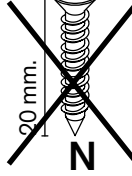
C x 02



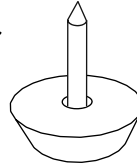
E x 02



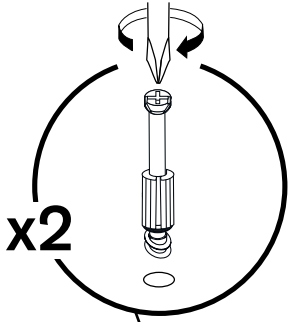
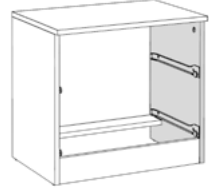
X



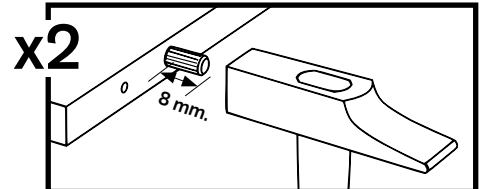
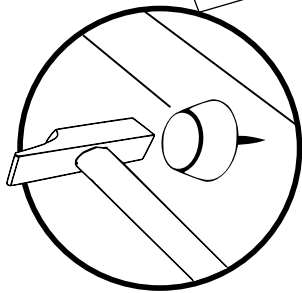
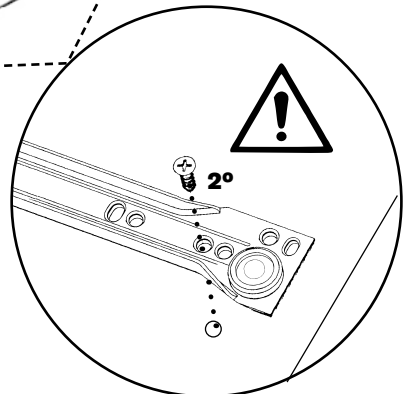
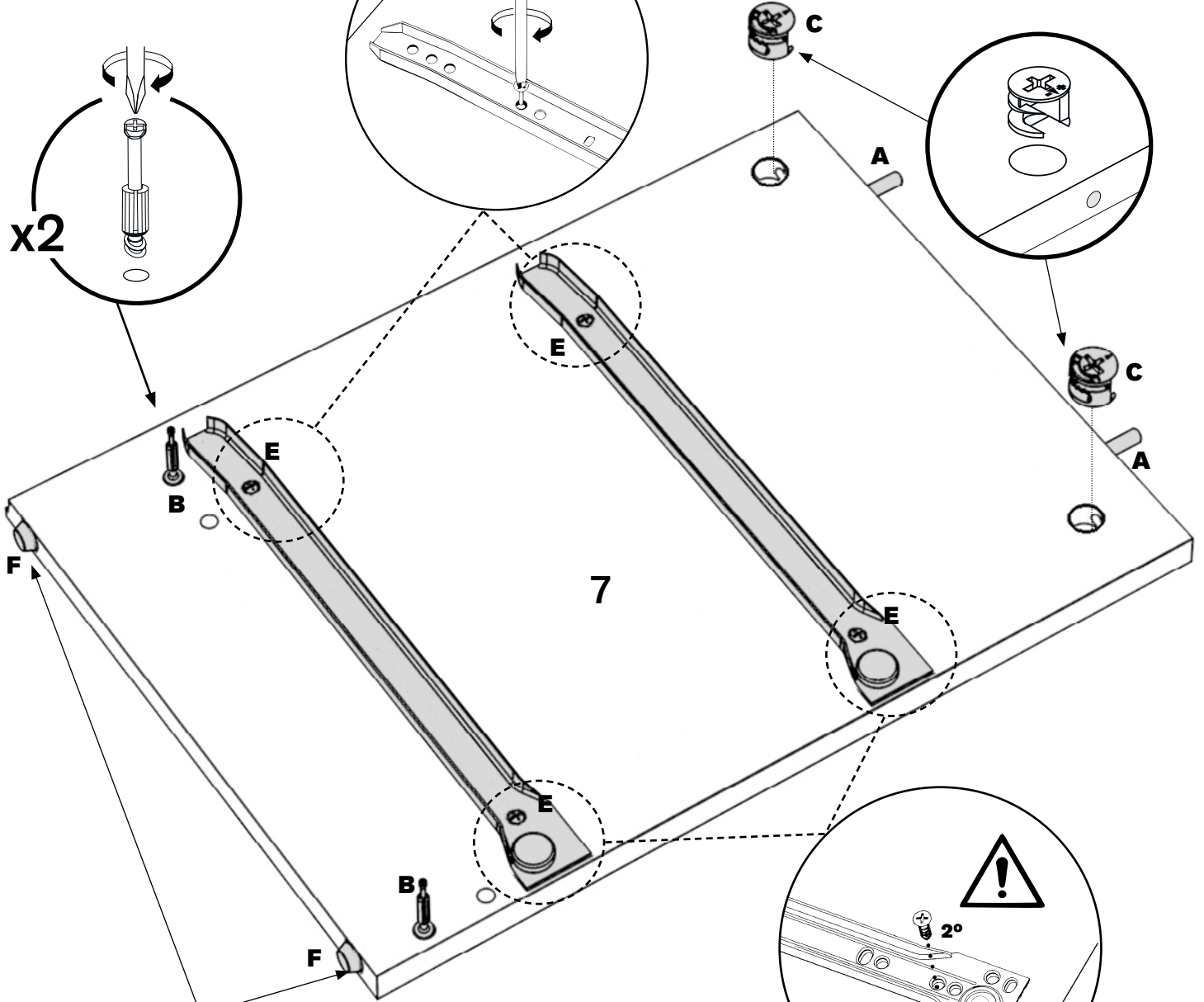
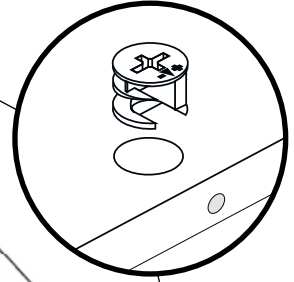
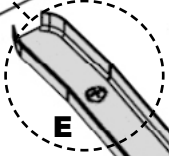
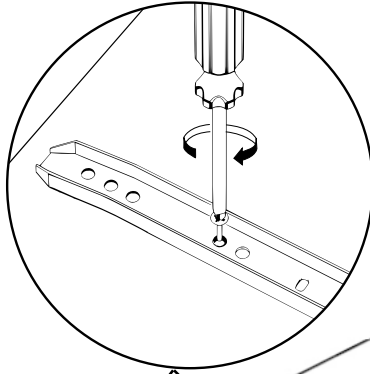
N



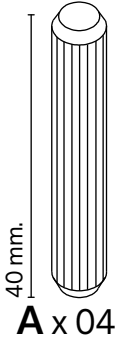
F x 02



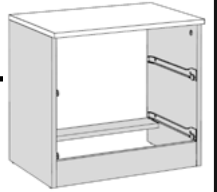
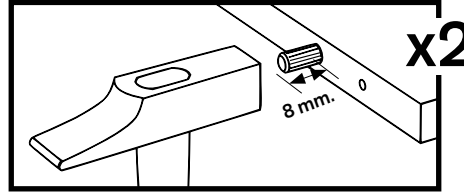
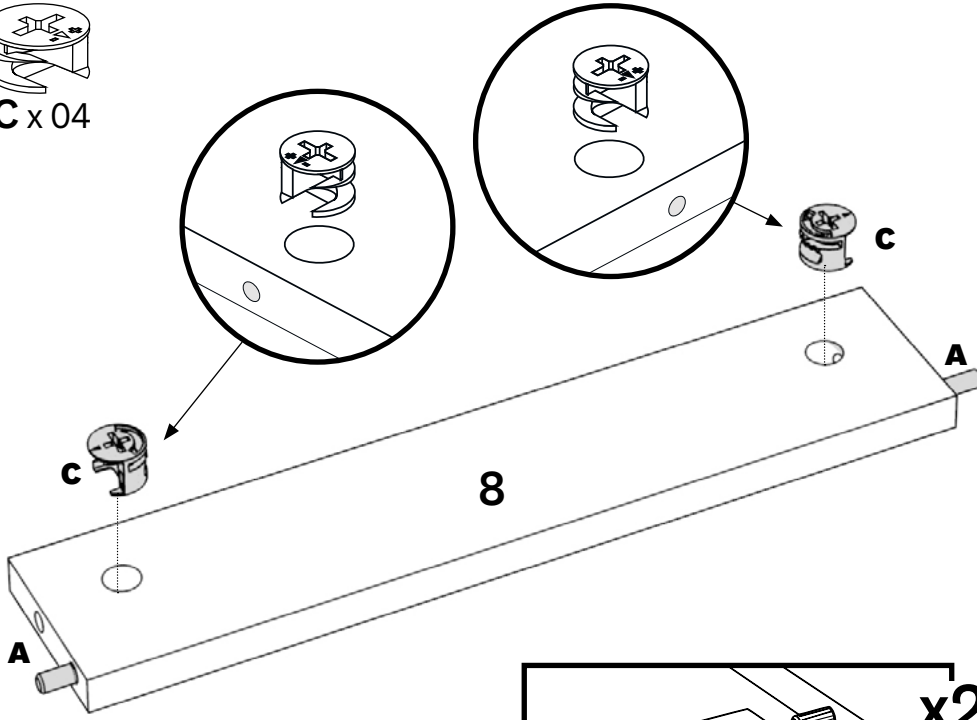
x2



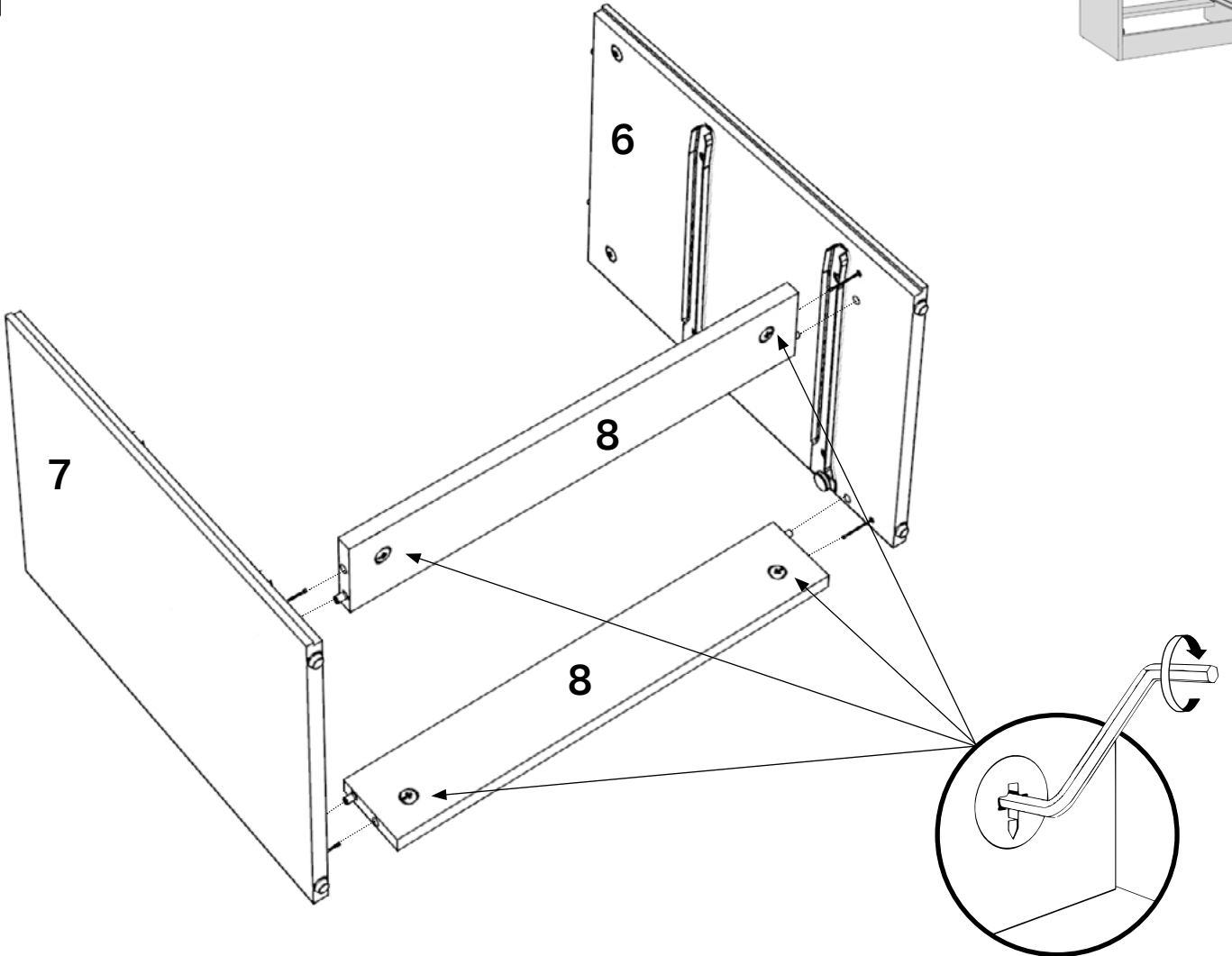
7



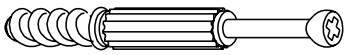
(x2)



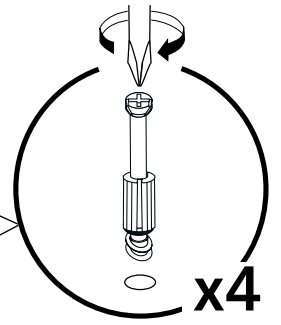
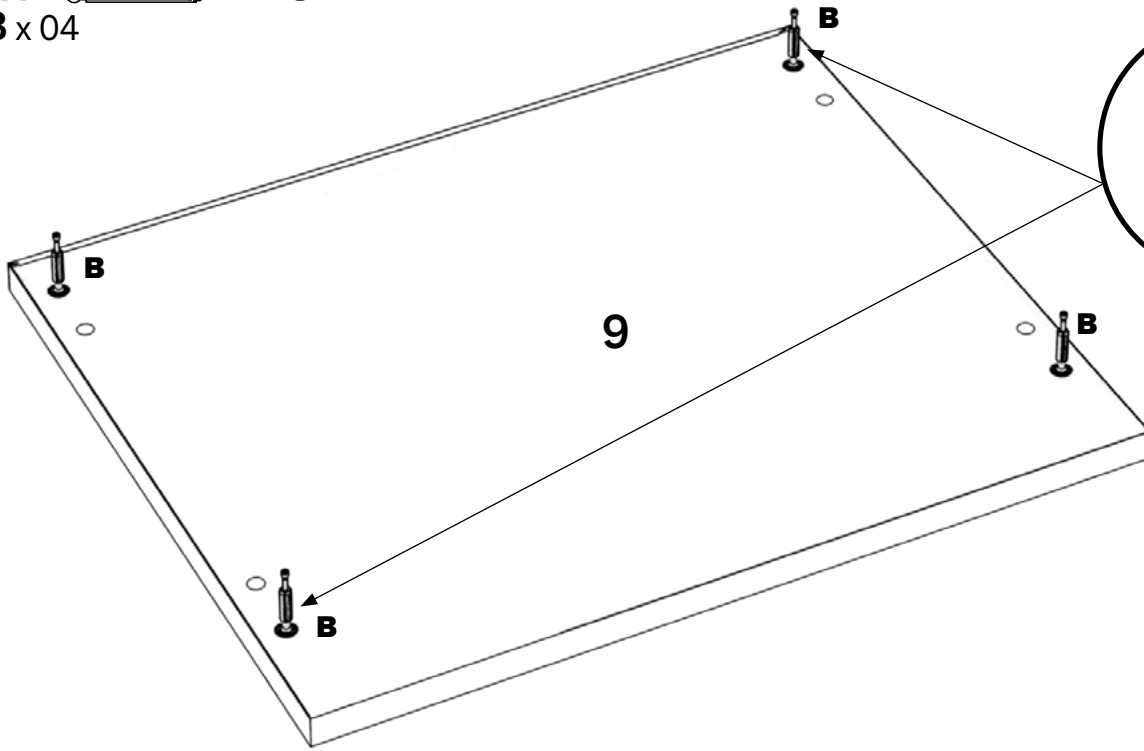
8



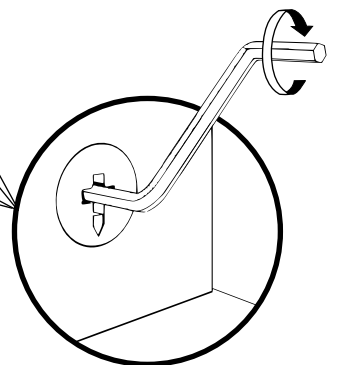
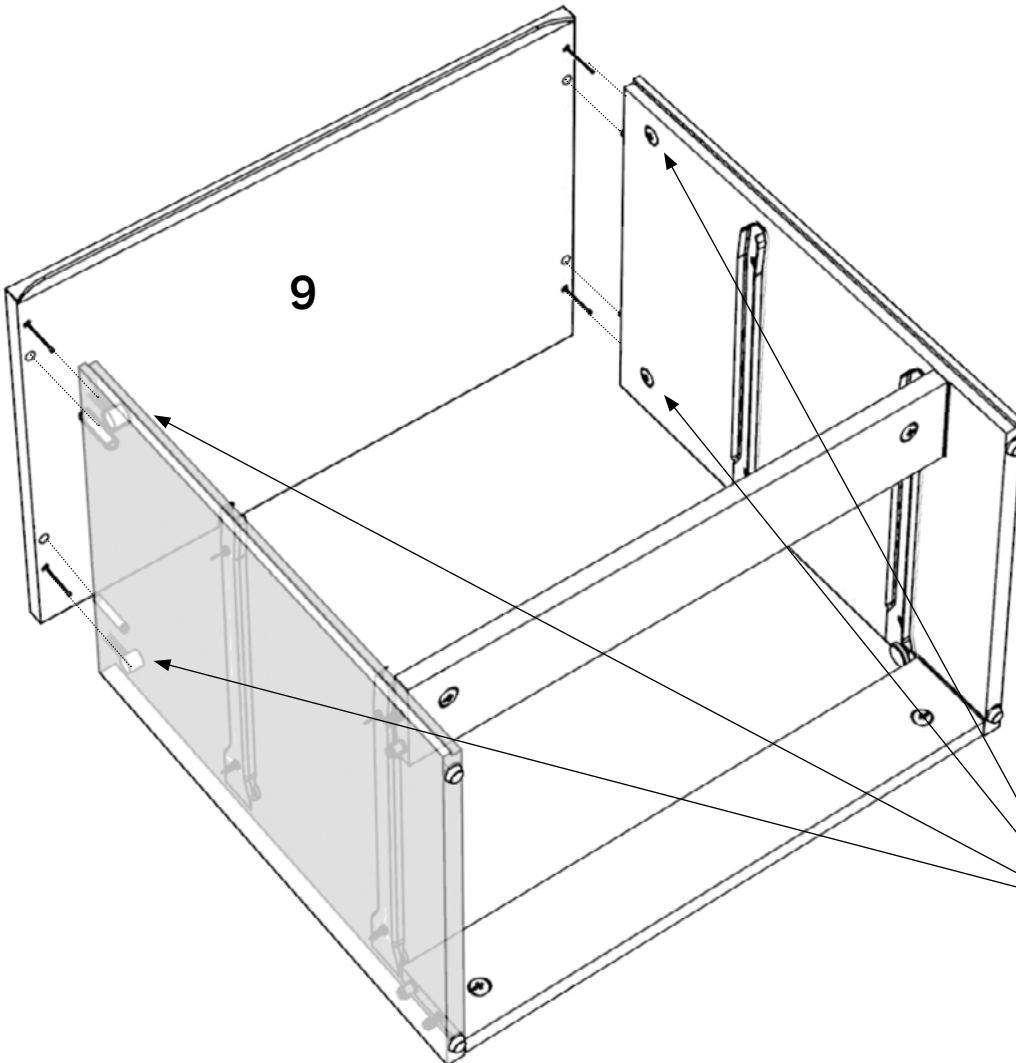
9



B x 04

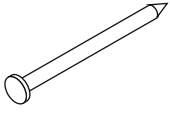


10

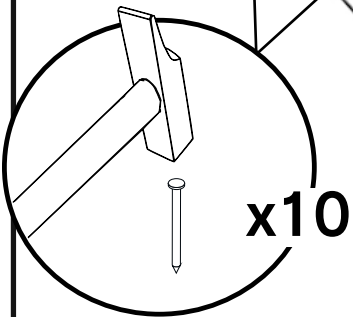
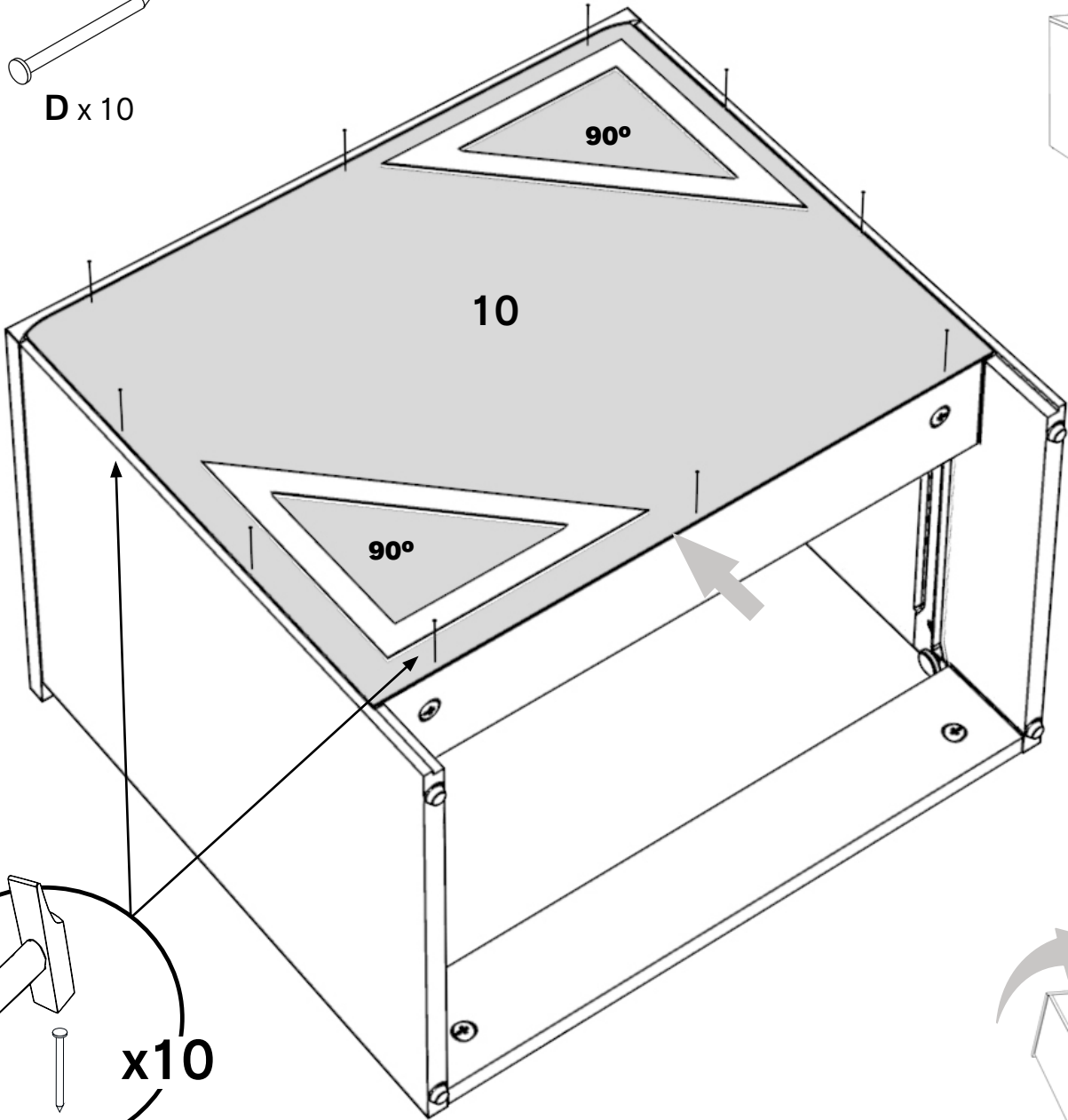




11

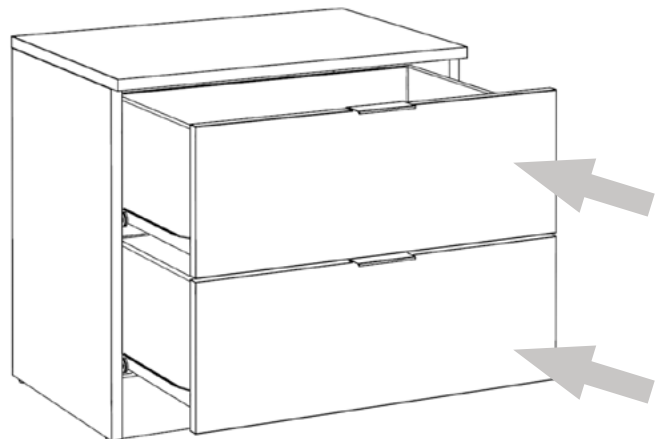
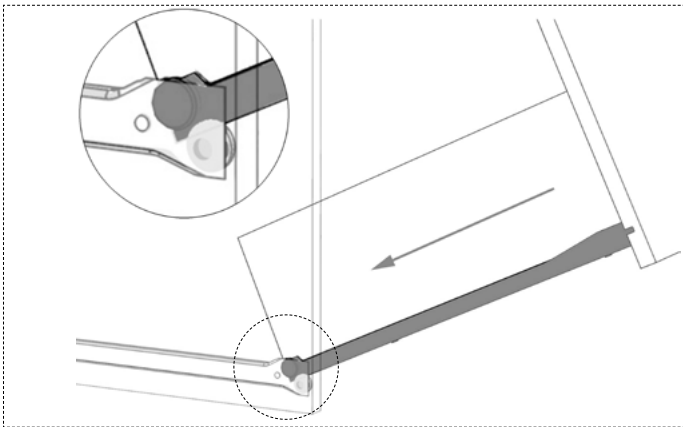


D x 10



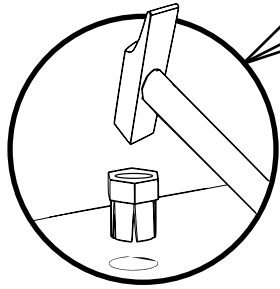
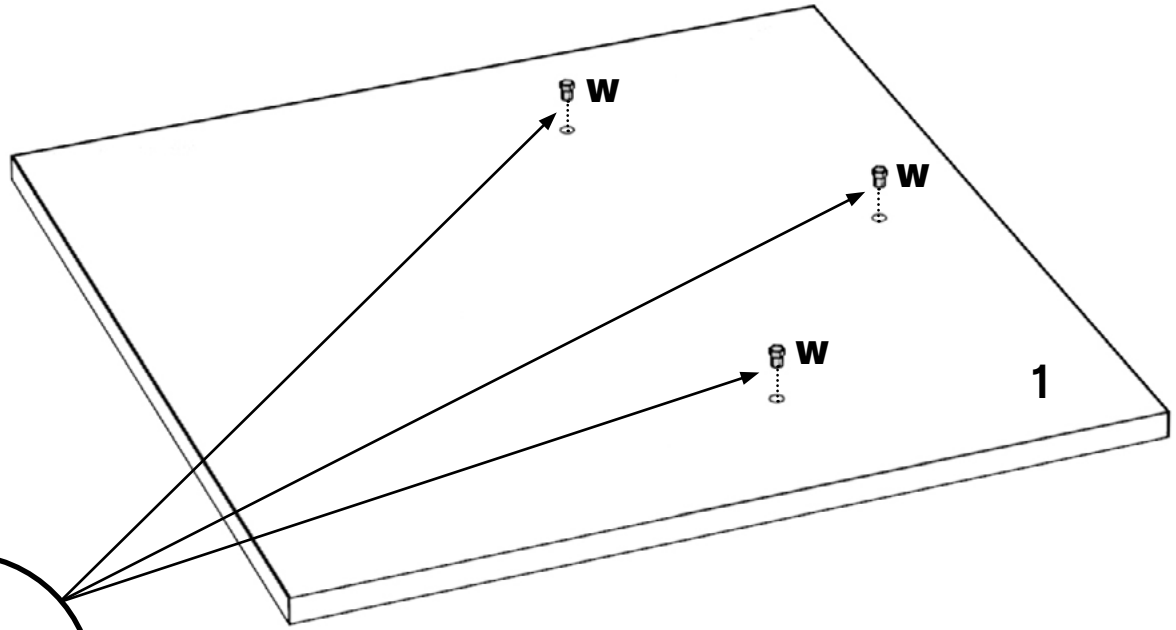
x10

12

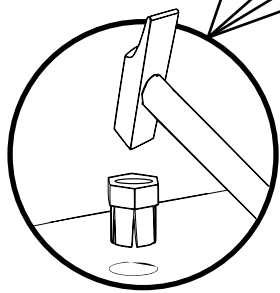
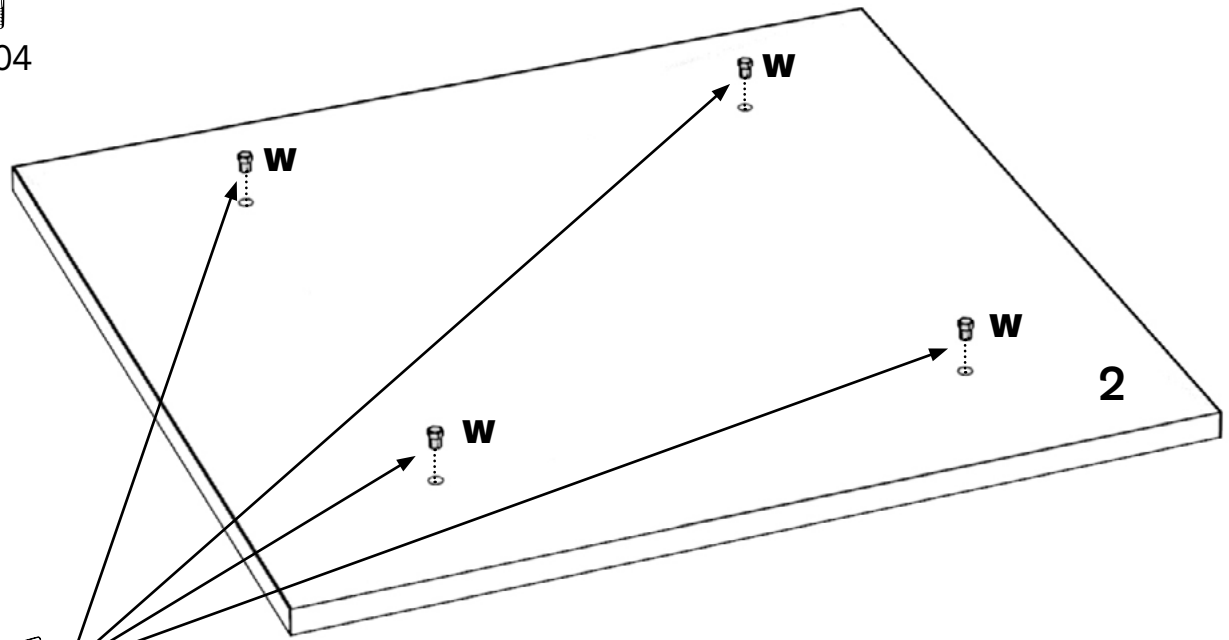


13

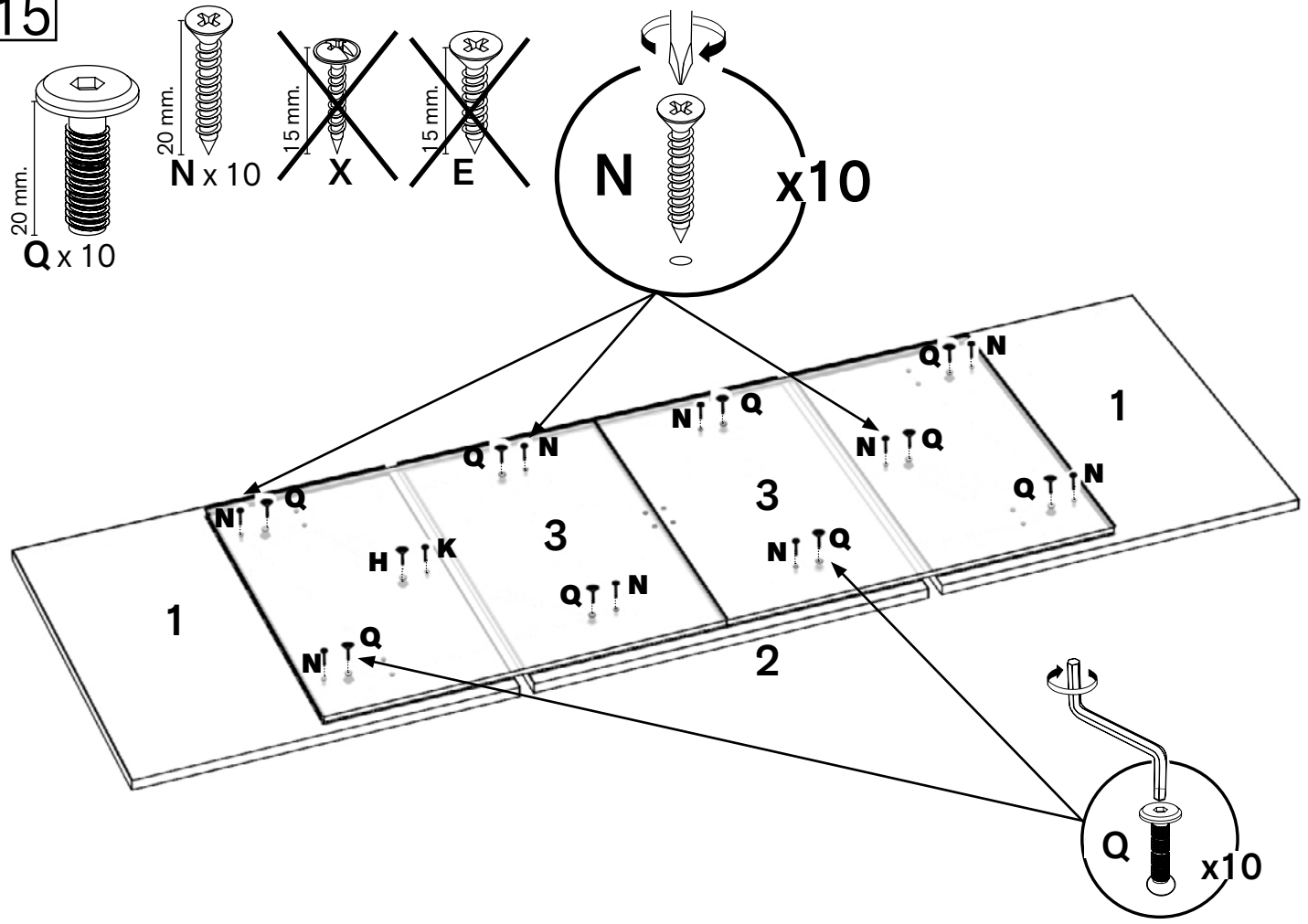
(x2)



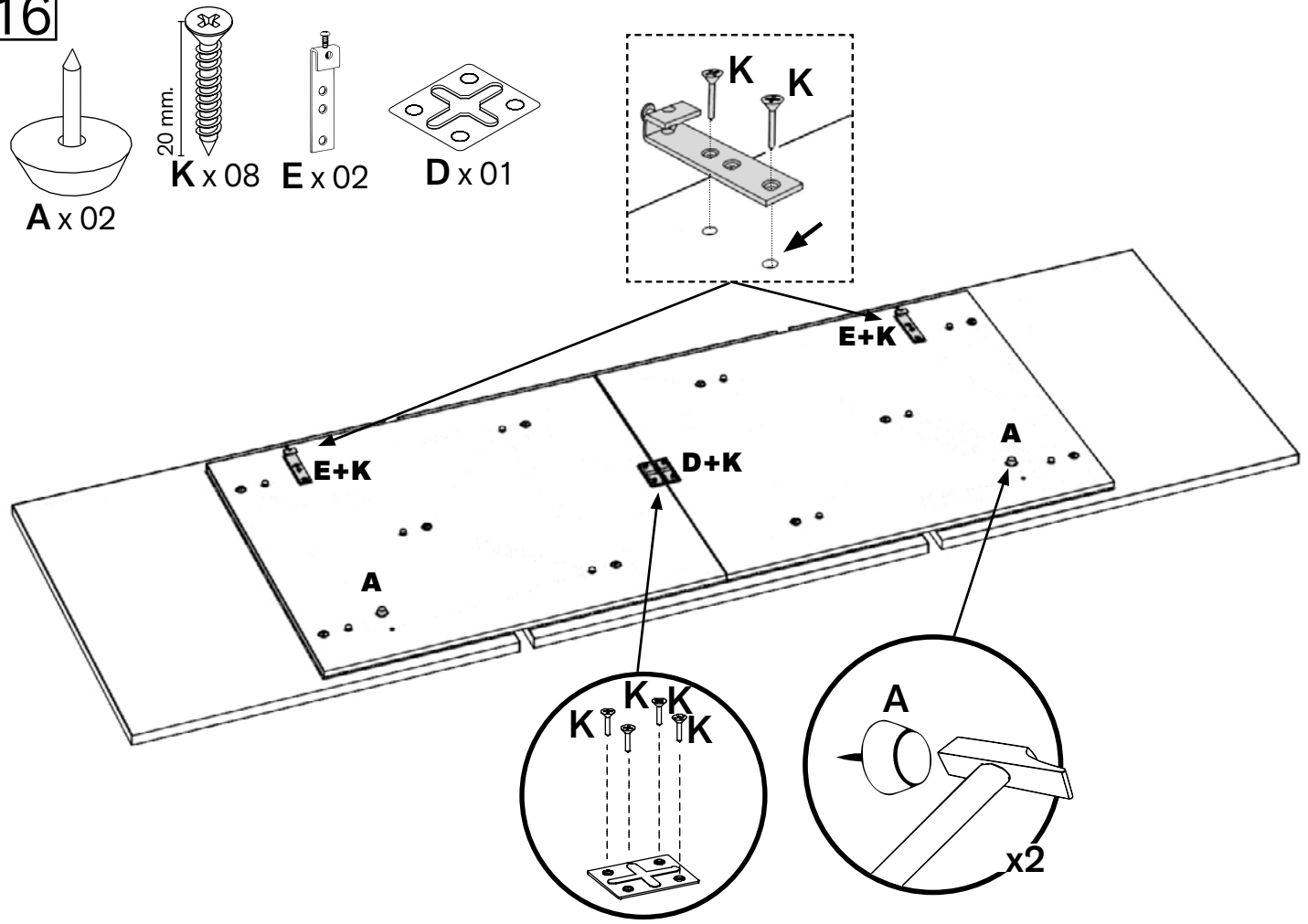
14



15

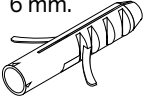


16

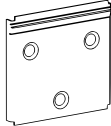


17

6 mm.

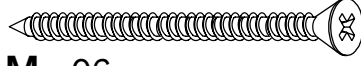


L x 06

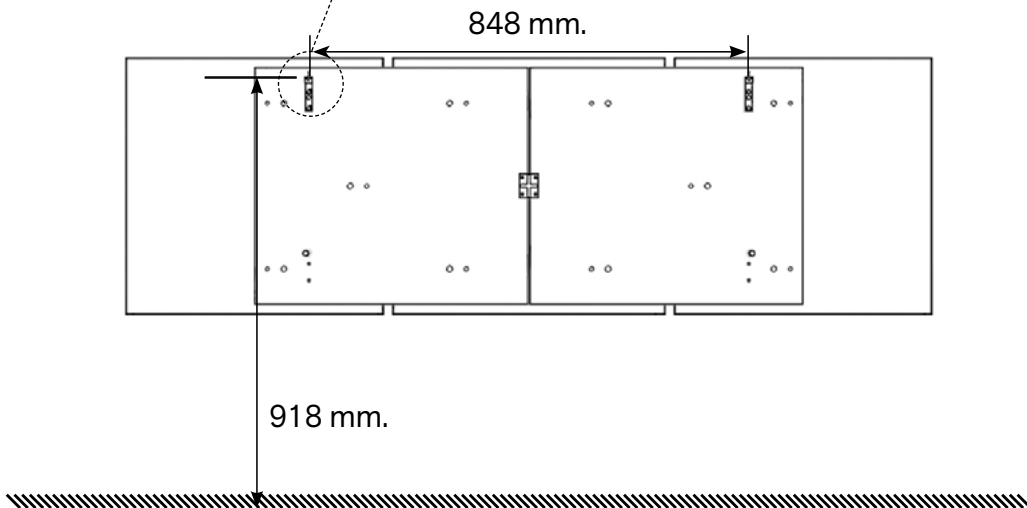
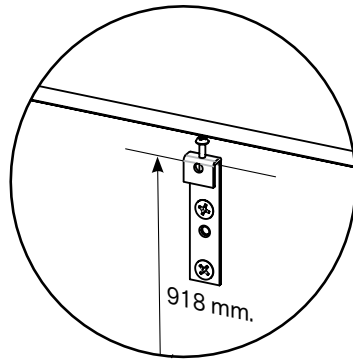
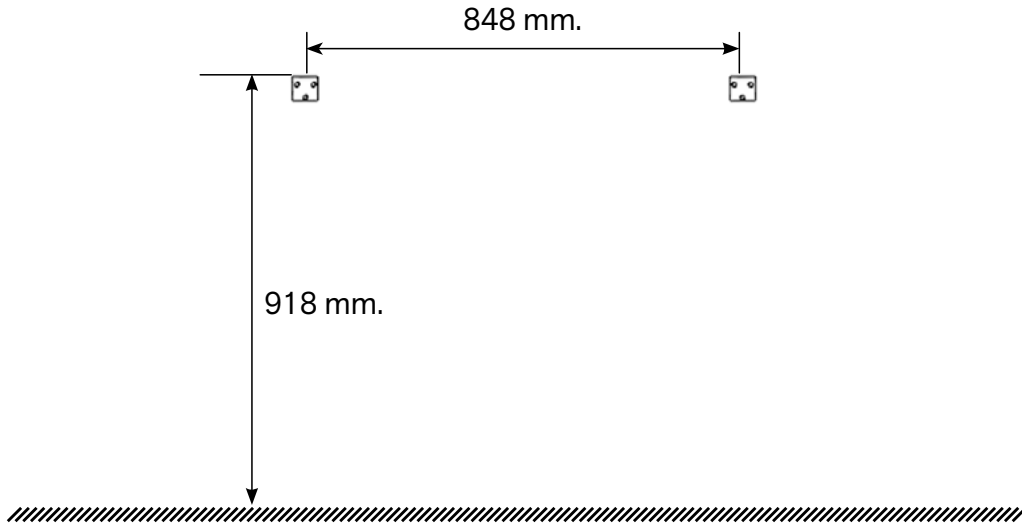
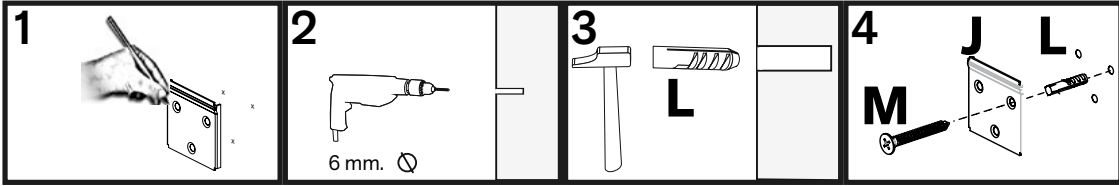


J x 02

45 mm.



M x 06



18

