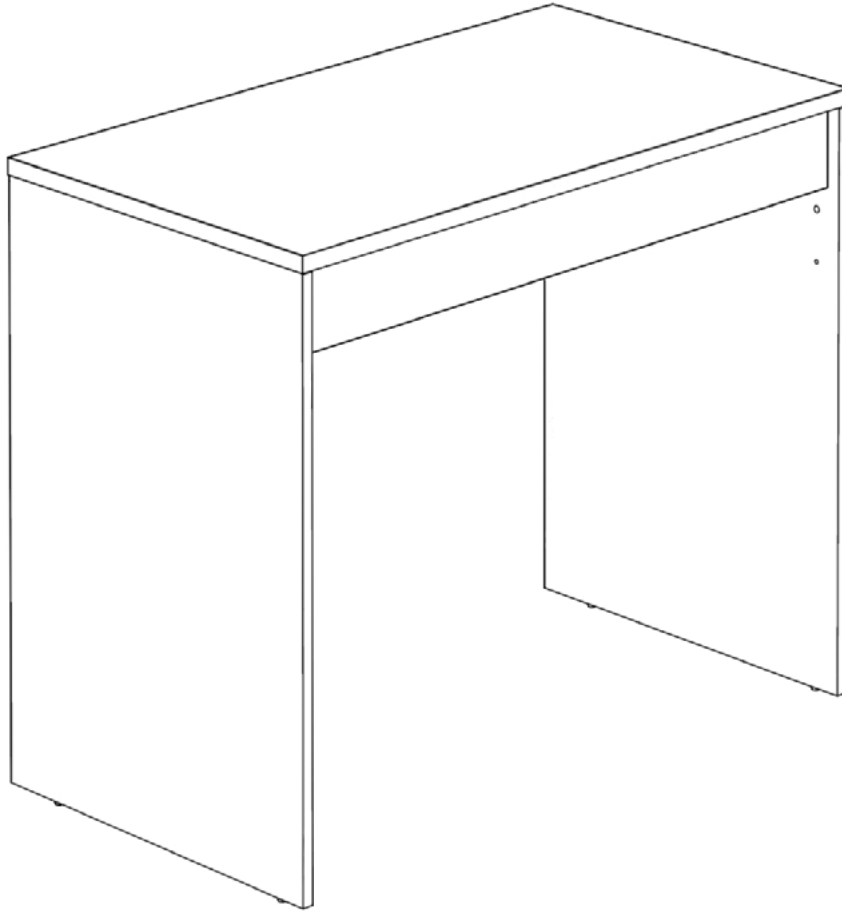
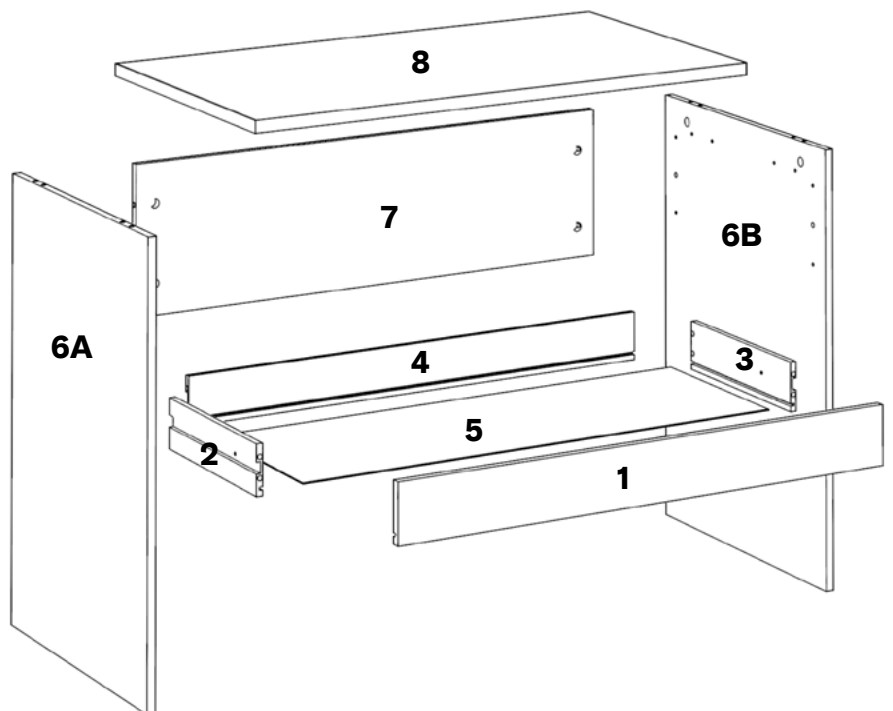
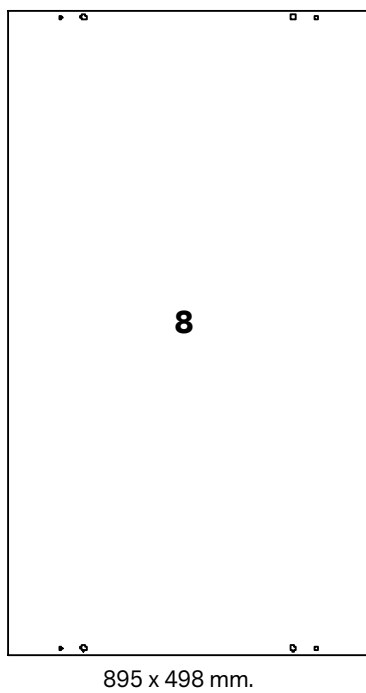
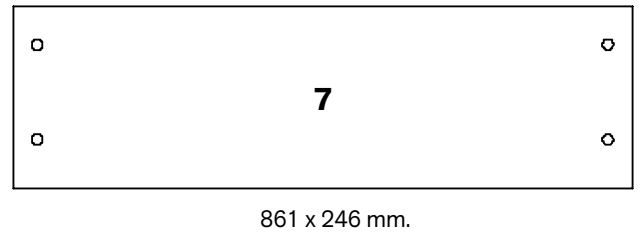
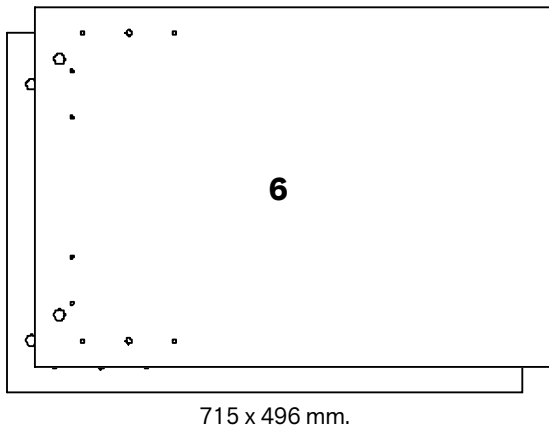
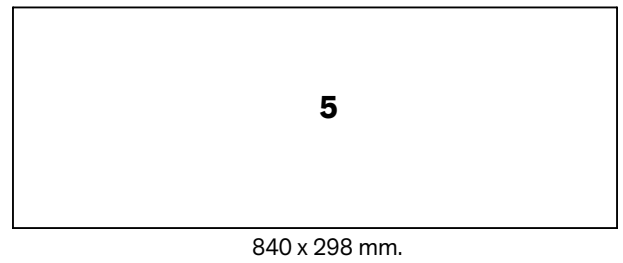
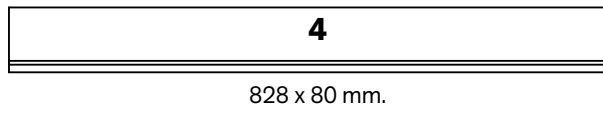
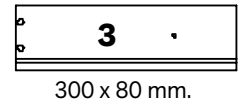
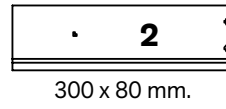
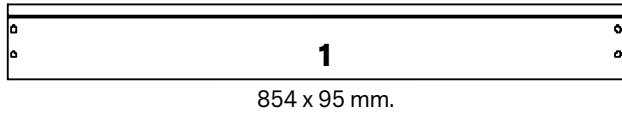
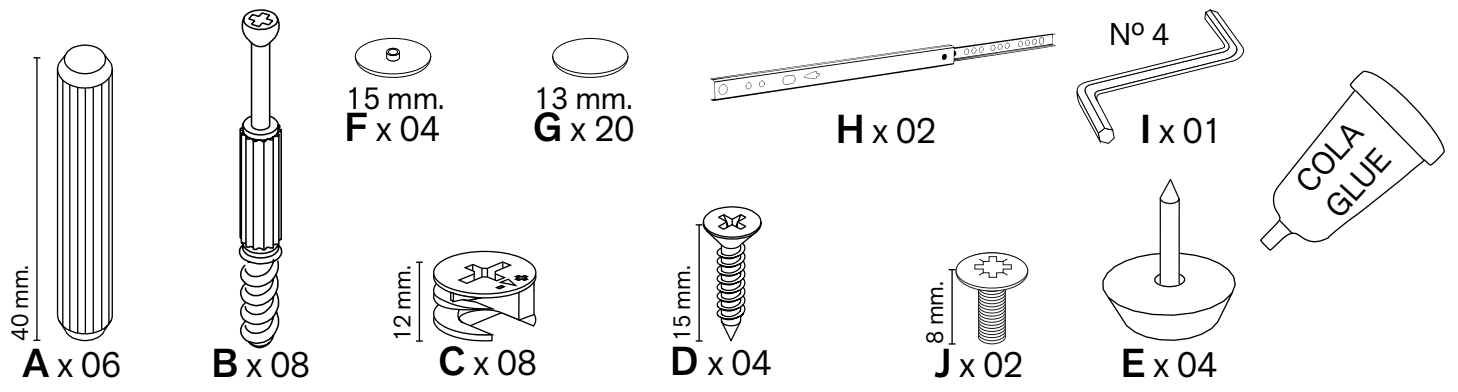
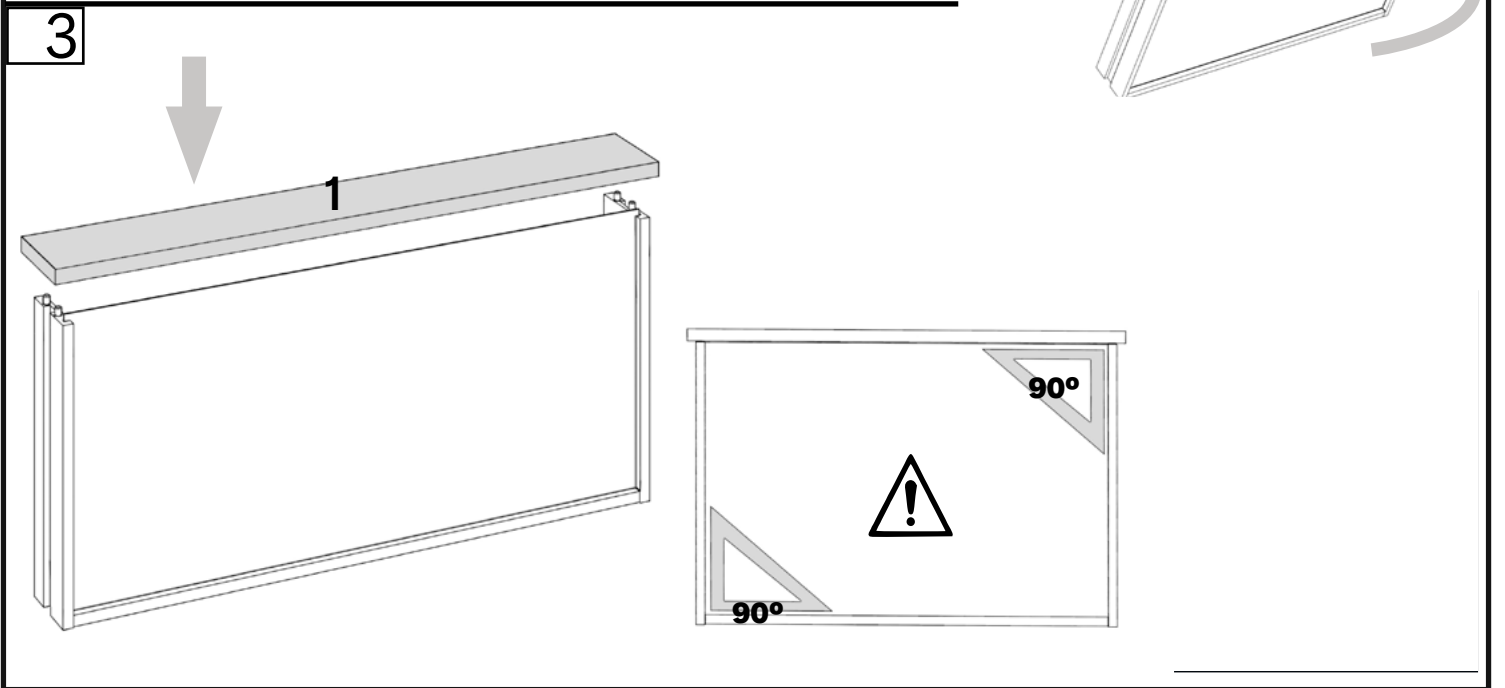
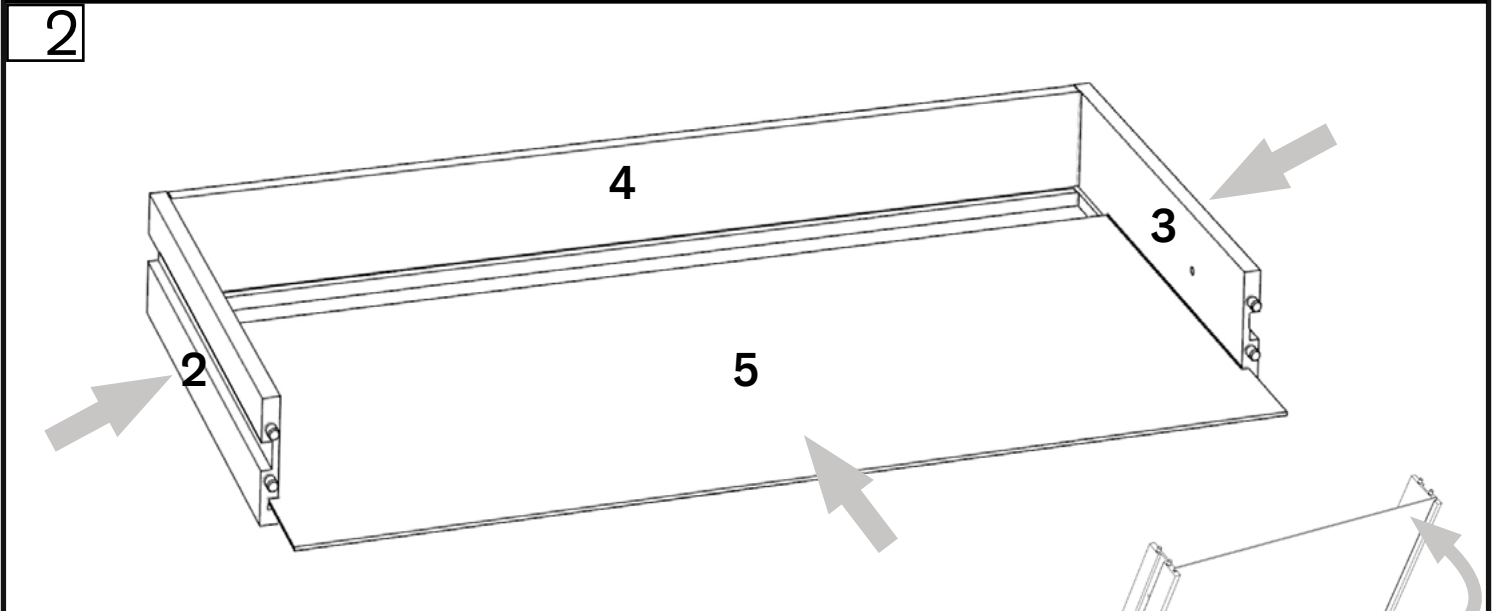
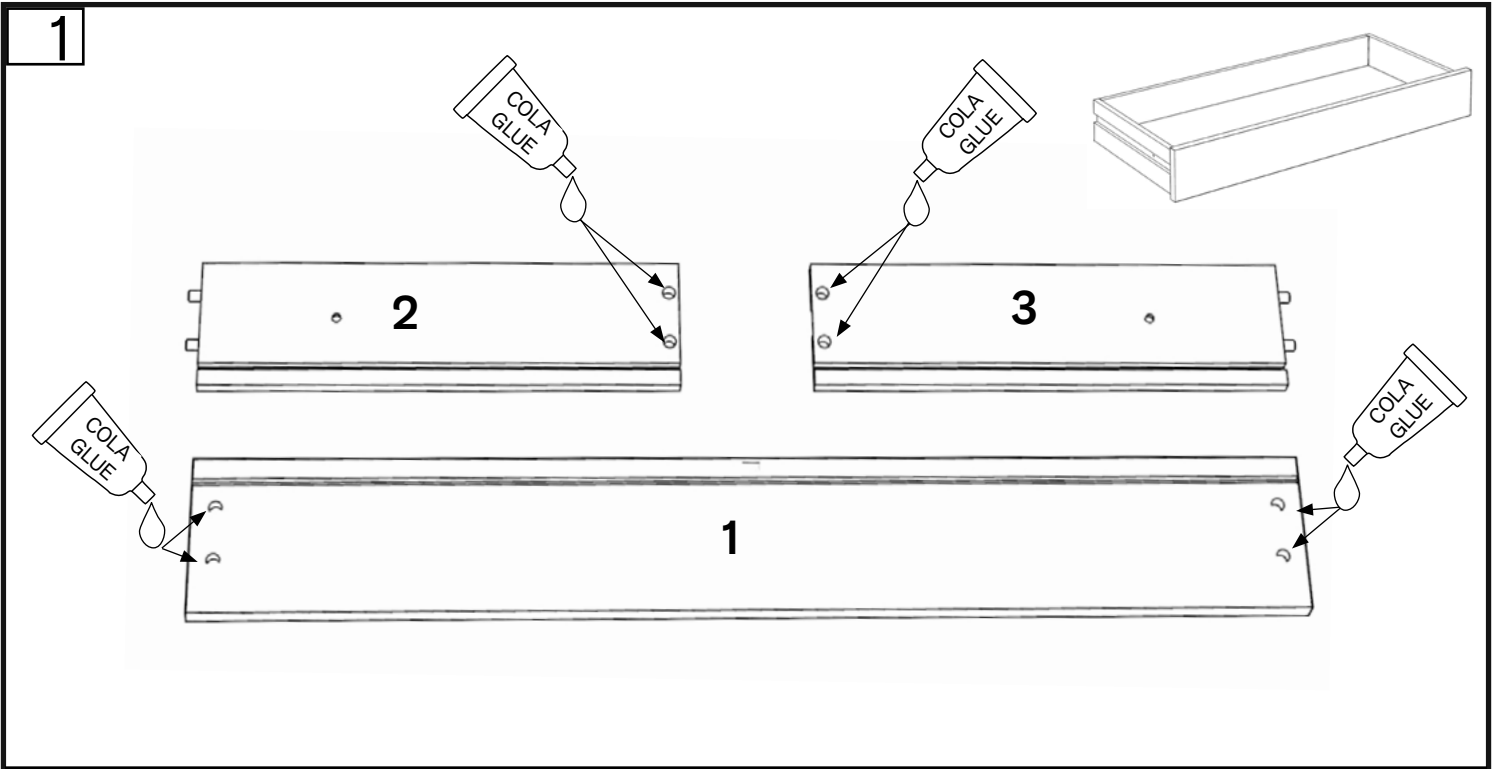


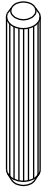
1 h.



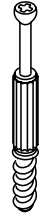




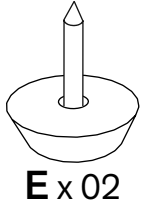
4



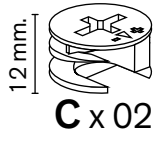
A x 02



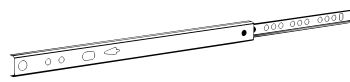
B x 02



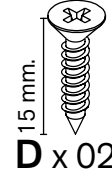
E x 02



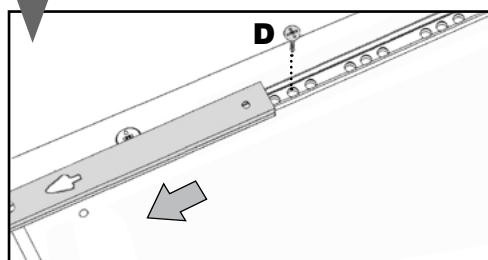
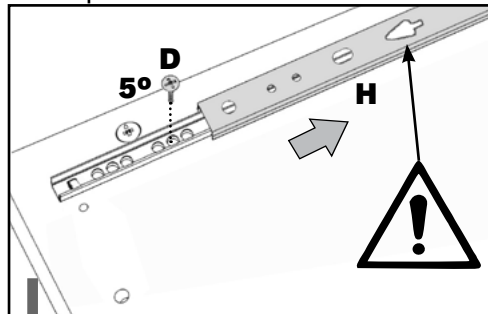
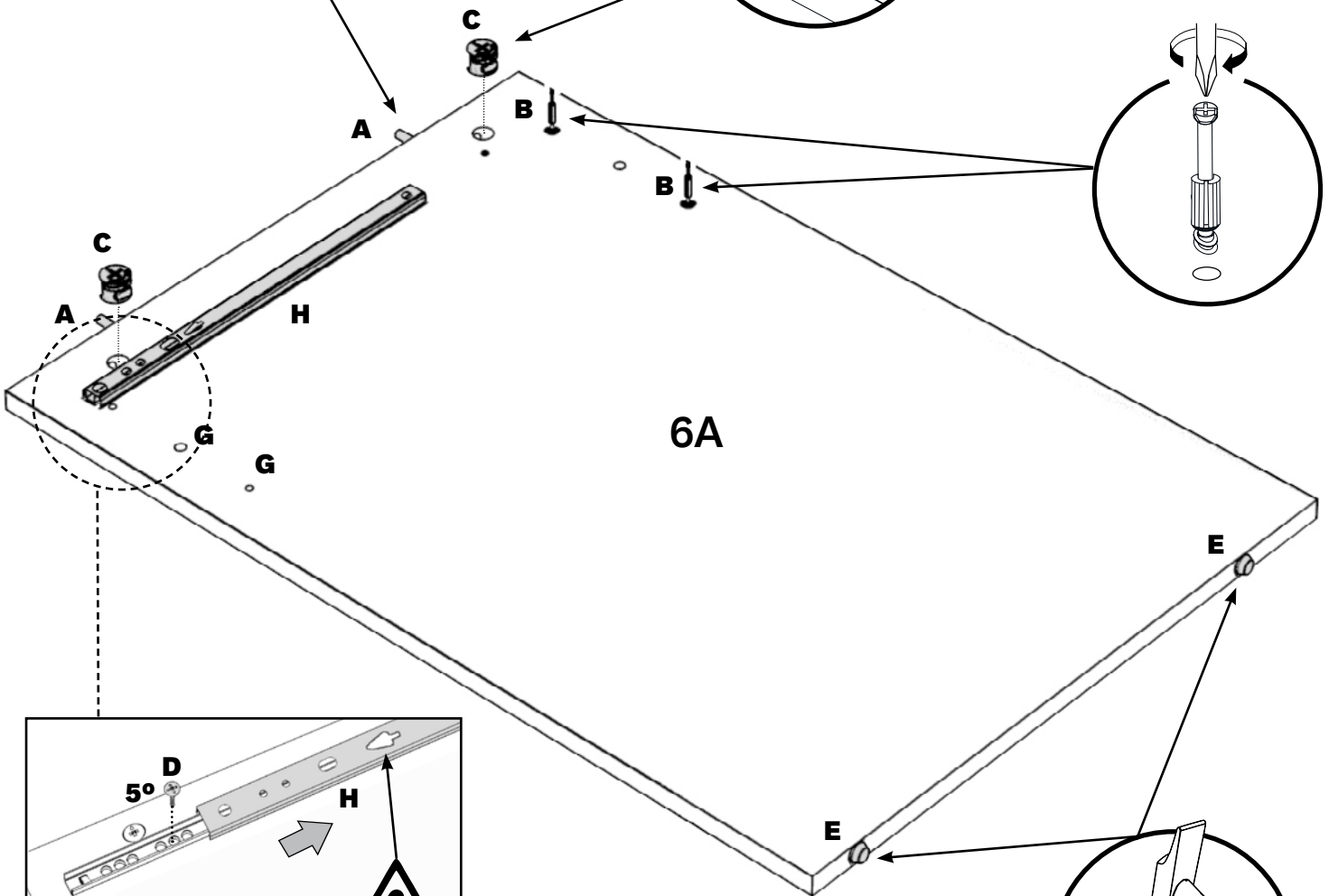
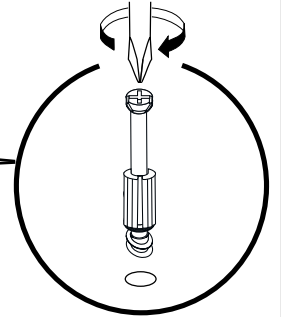
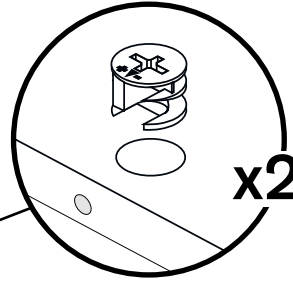
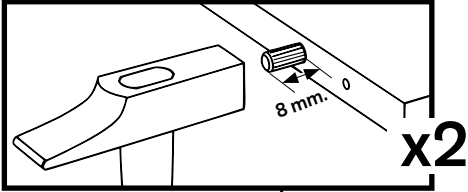
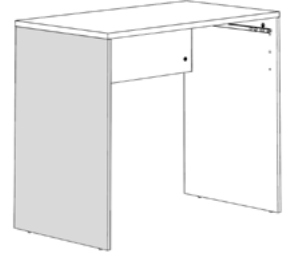
12 mm.  
C x 02



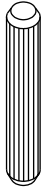
H x 01



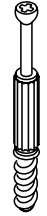
15 mm.  
D x 02



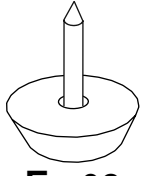
5



A x 02



B x 02

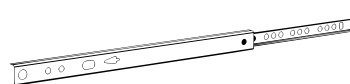


E x 02

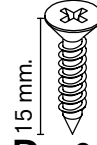


12 mm.

C x 02

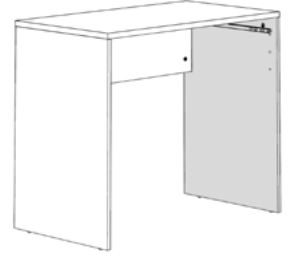


H x 01

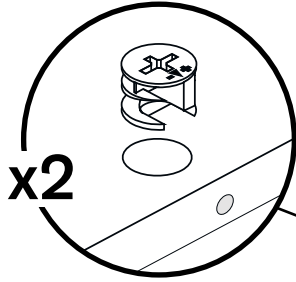


15 mm.

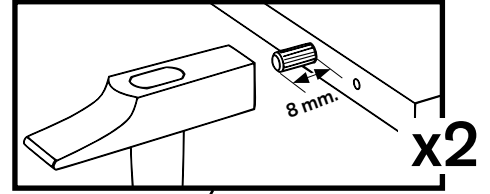
D x 02



13 mm.  
G x 02

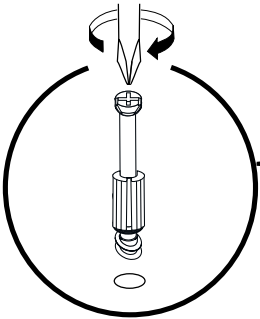


x2



8 mm.

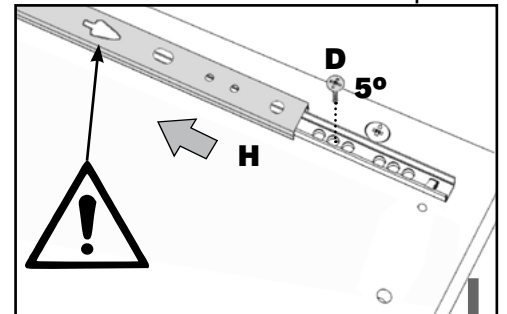
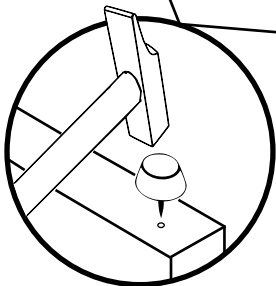
x2



6B

E

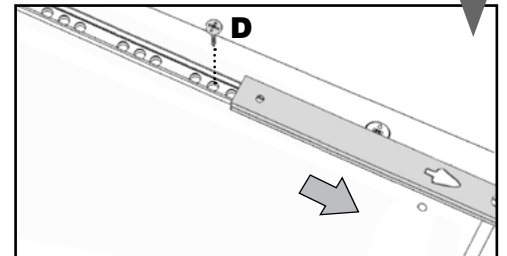
E



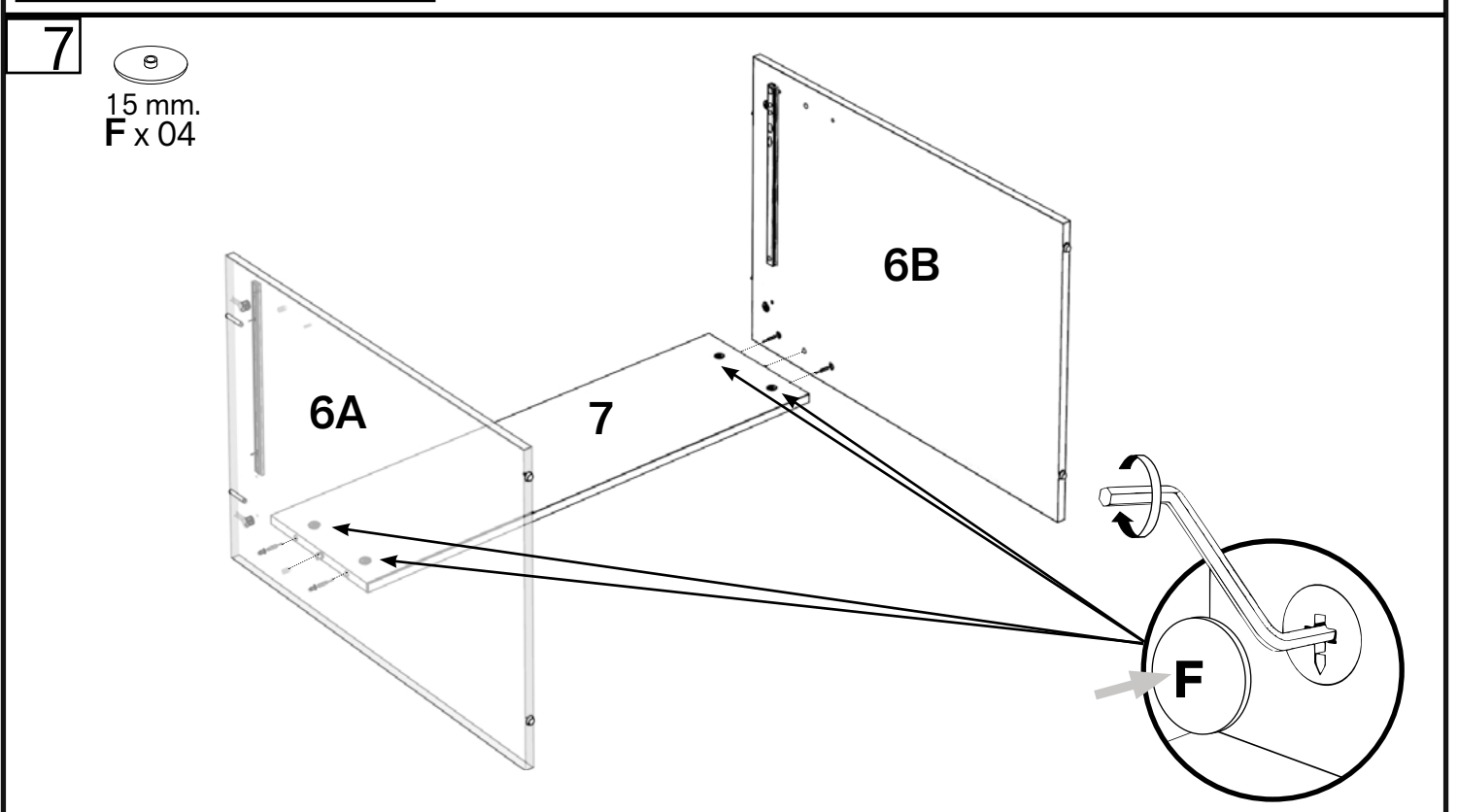
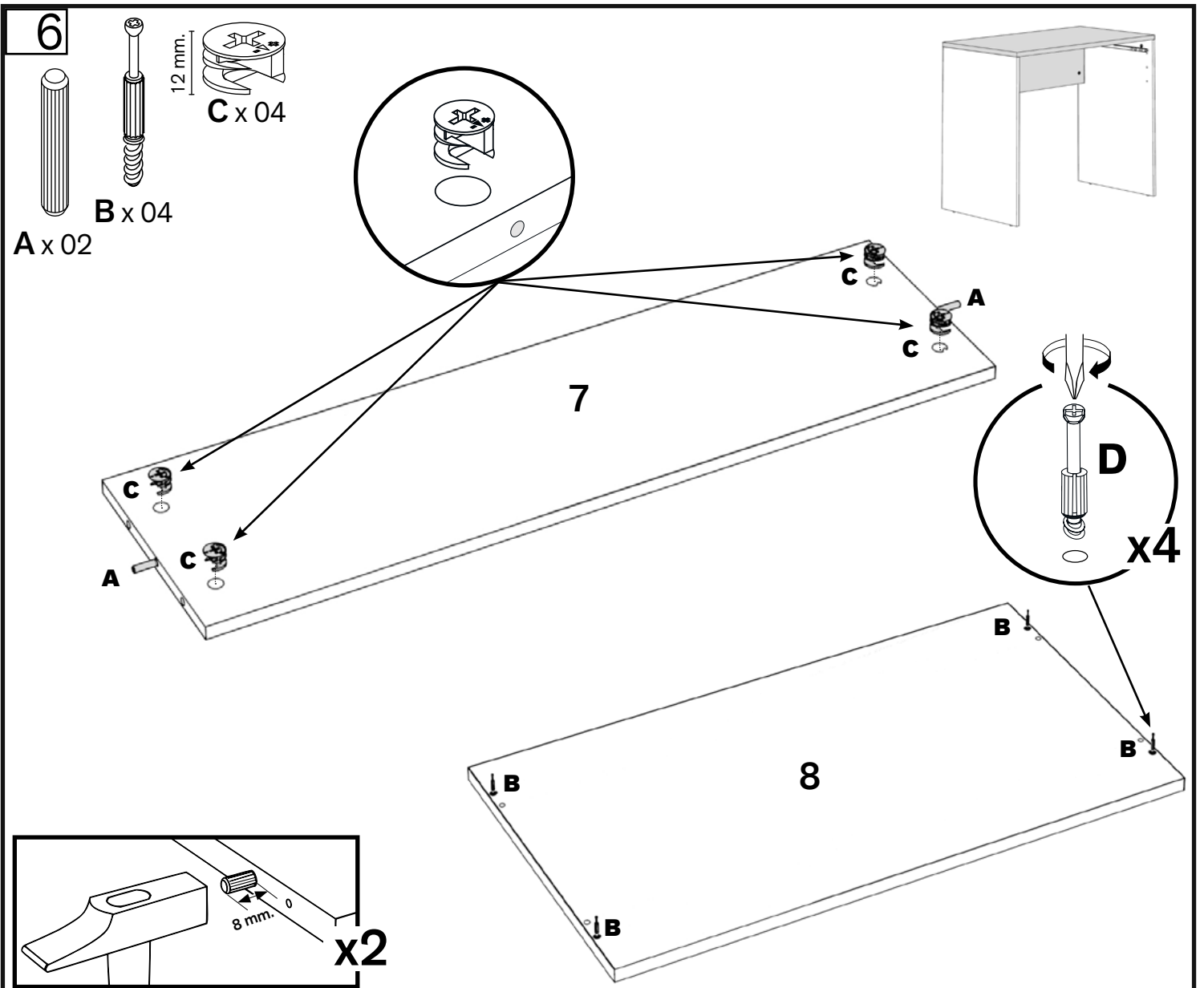
D

5°

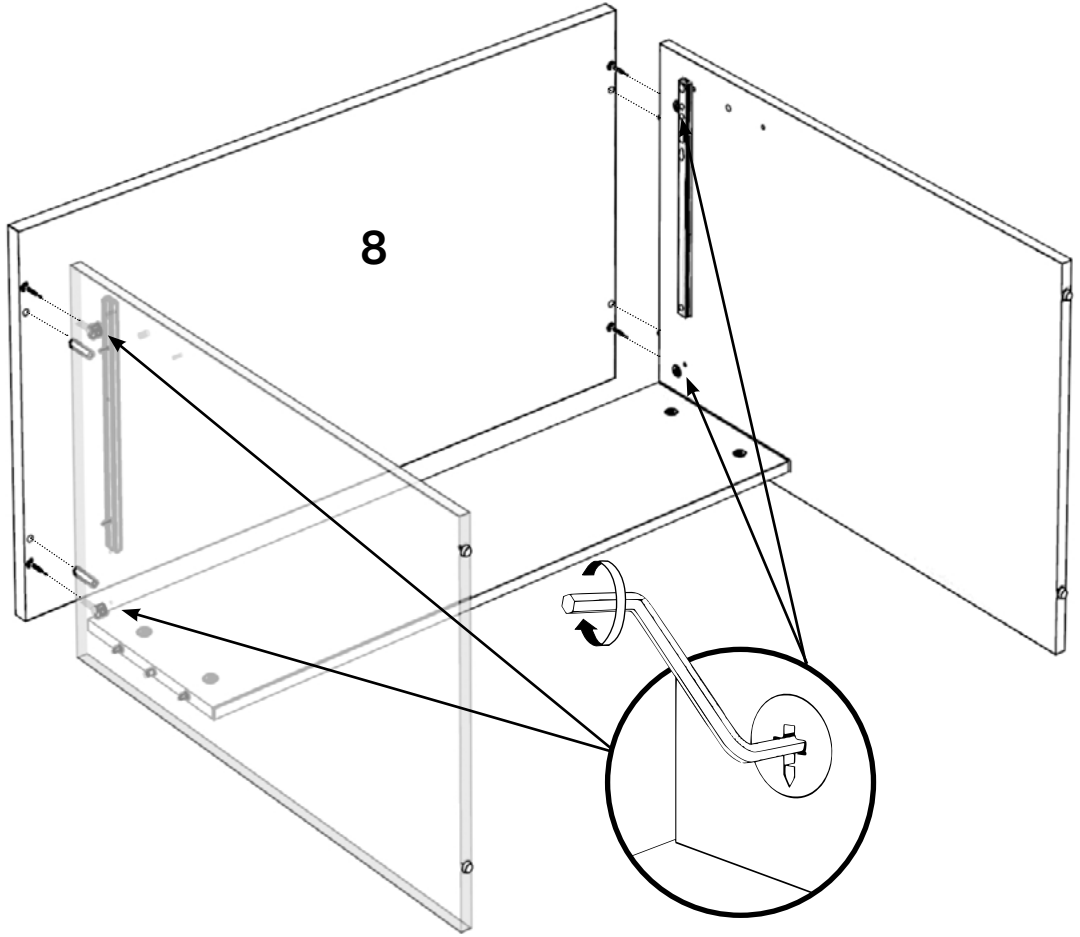
H



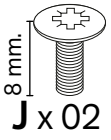
D



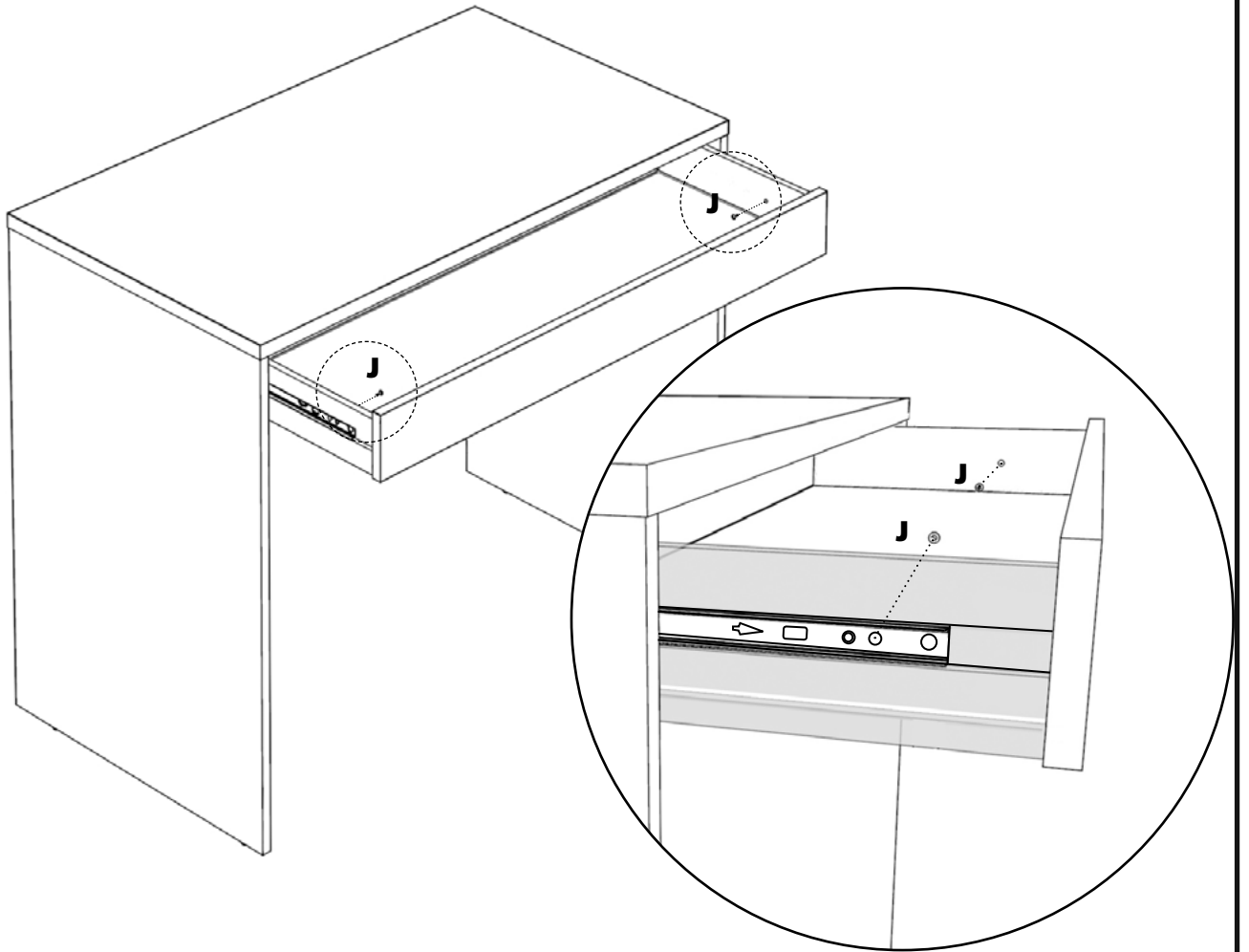
8



9

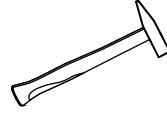
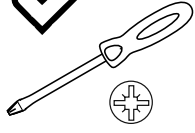


8 mm.  
J x 02

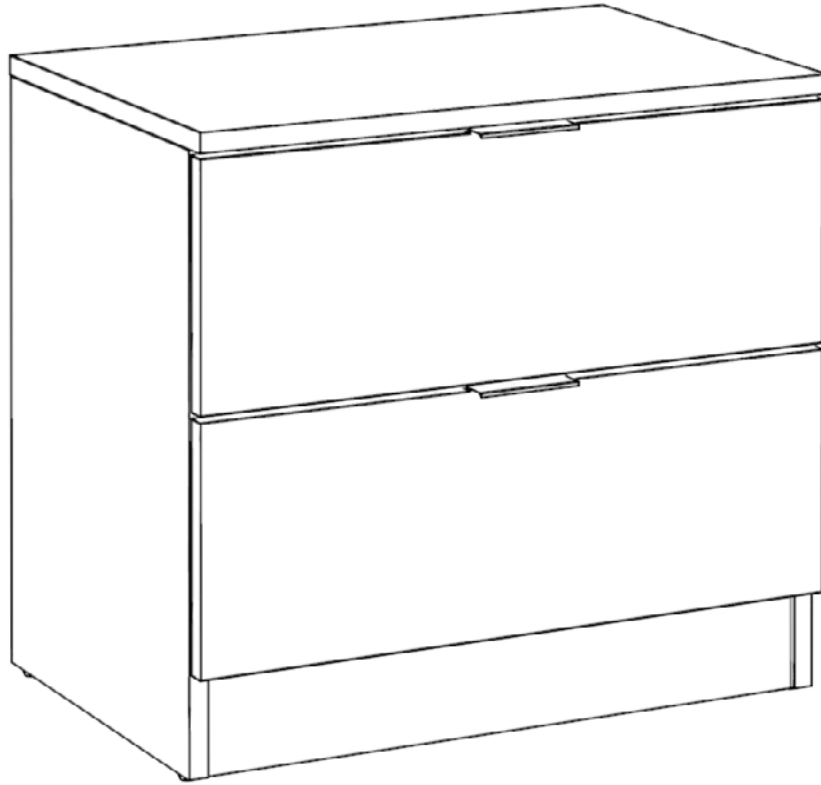


**DEKIT®**

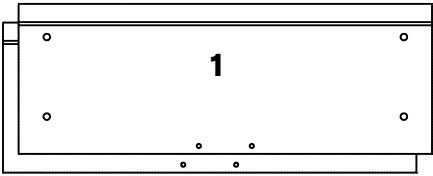
K280 v.02



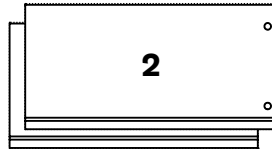
45 m.



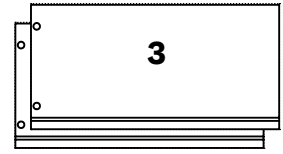




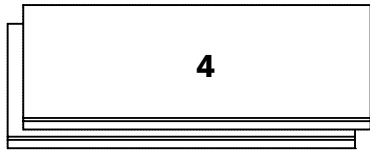
500 x 179 mm.



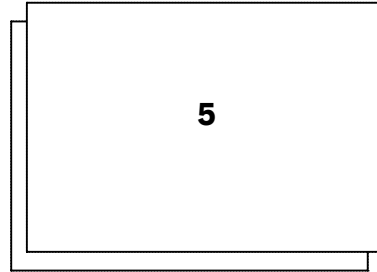
300 x 150 mm.



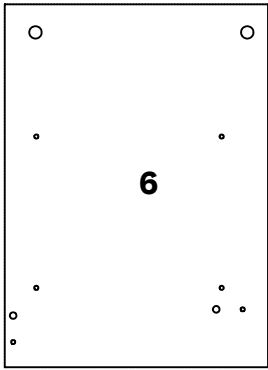
300 x 150 mm.



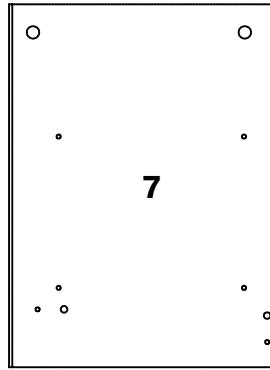
420 x 150 mm.



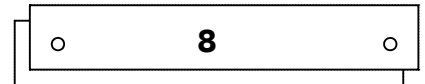
431 x 301 mm.



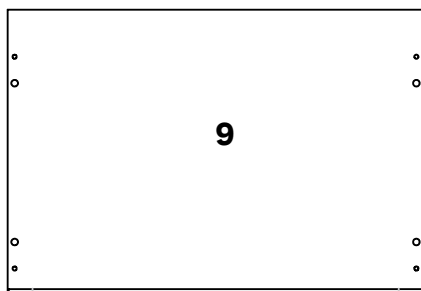
439 x 322 mm.



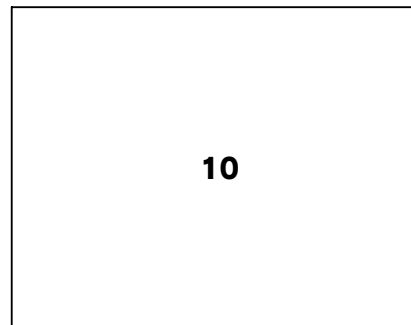
439 x 322 mm.



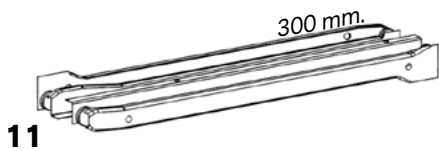
470 x 77 mm.



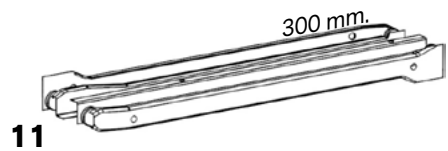
503 x 342 mm.



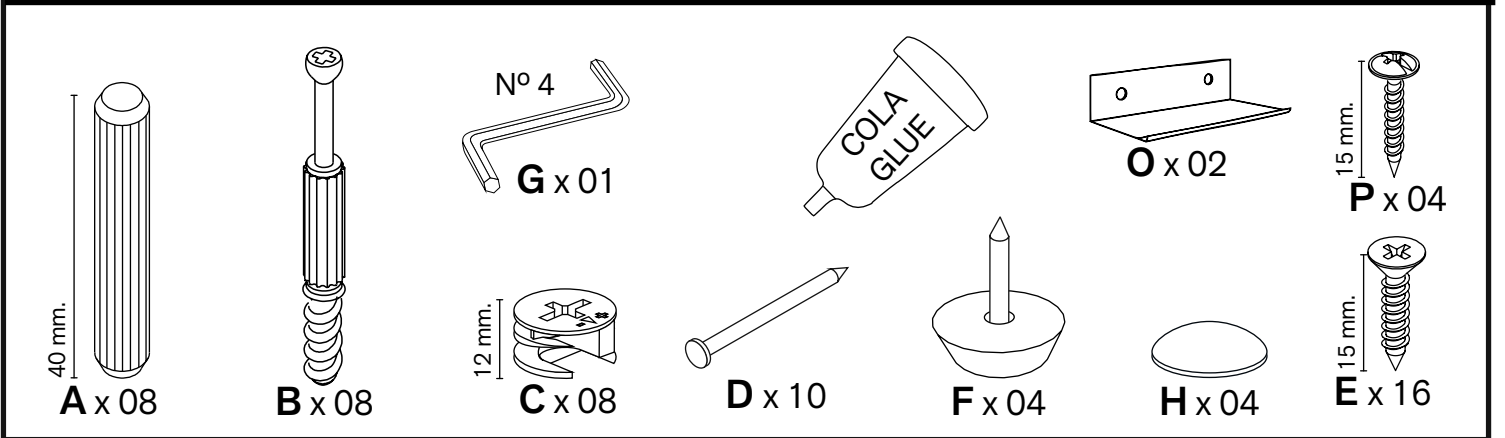
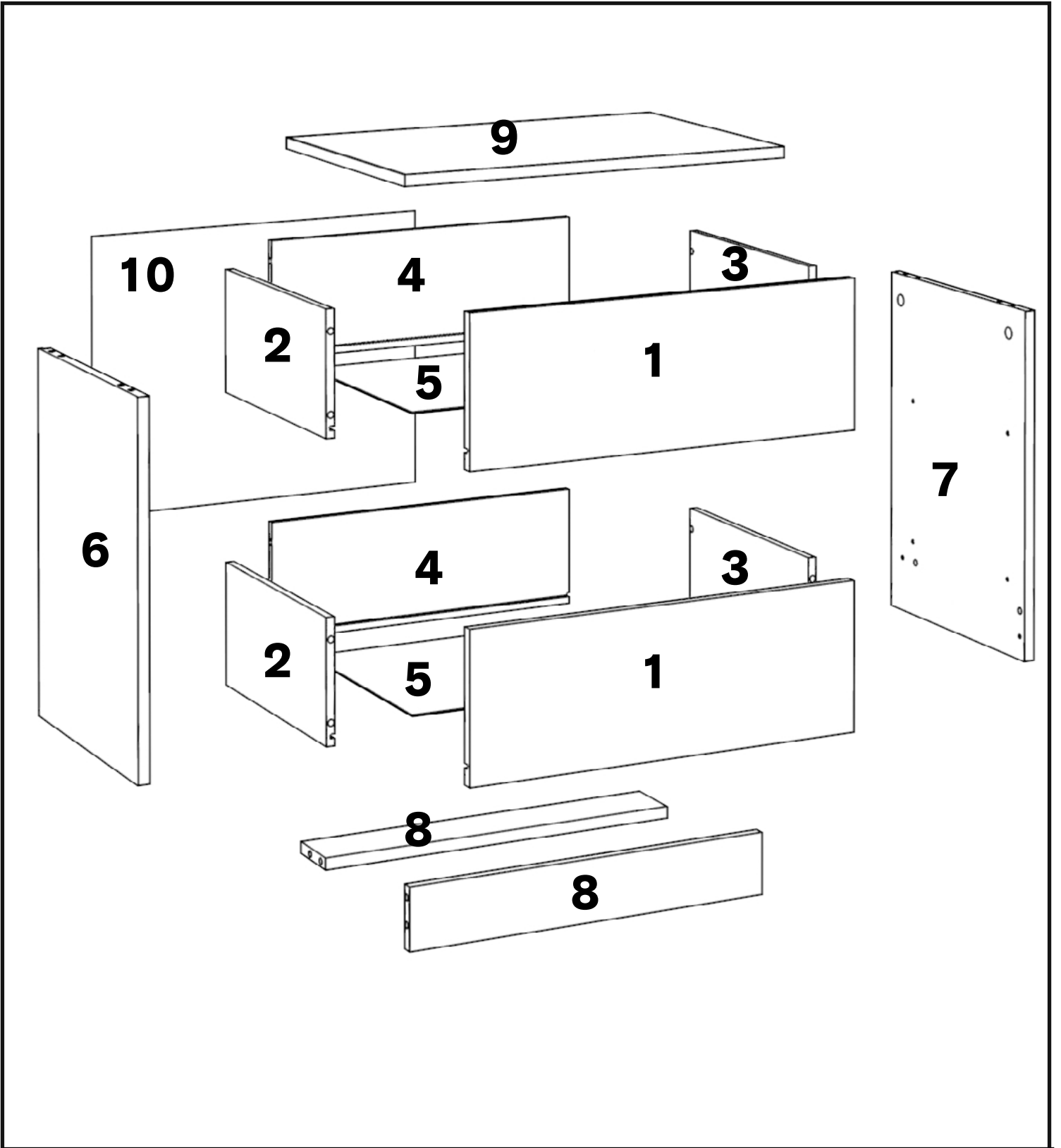
487 x 386 mm.



11



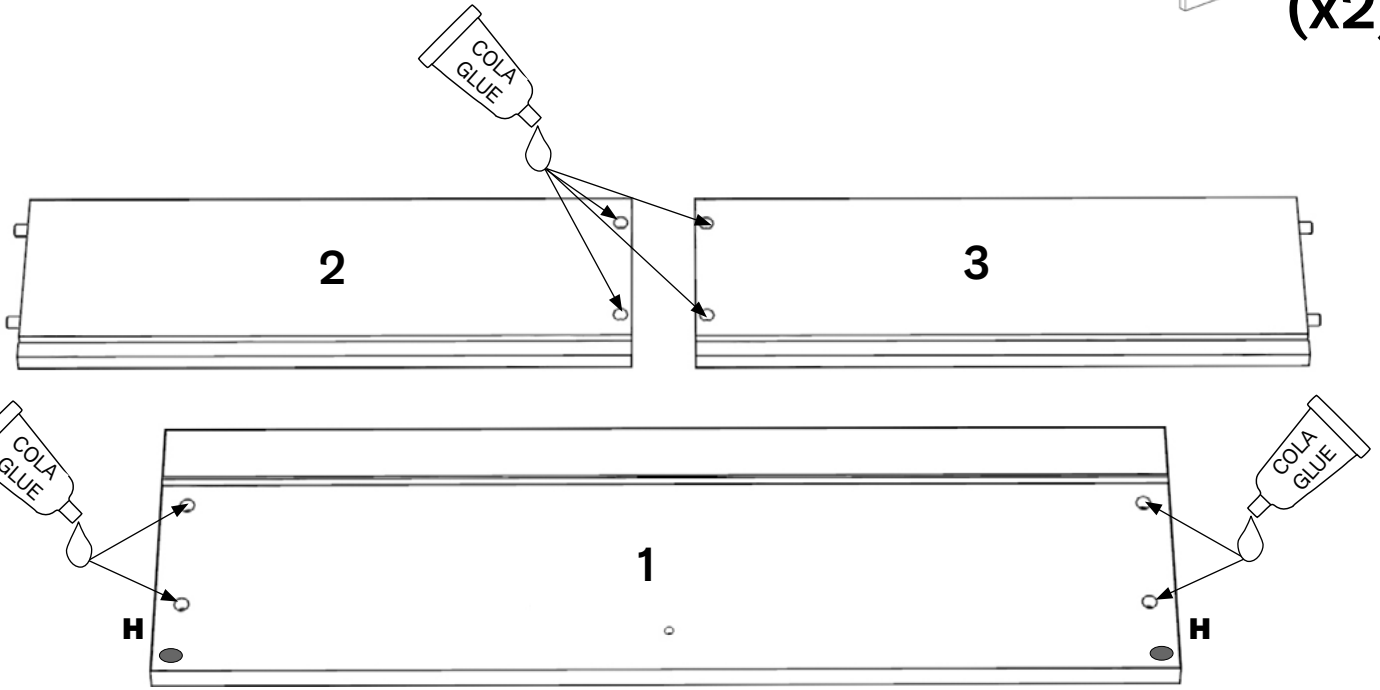
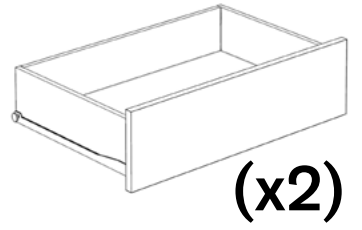
11



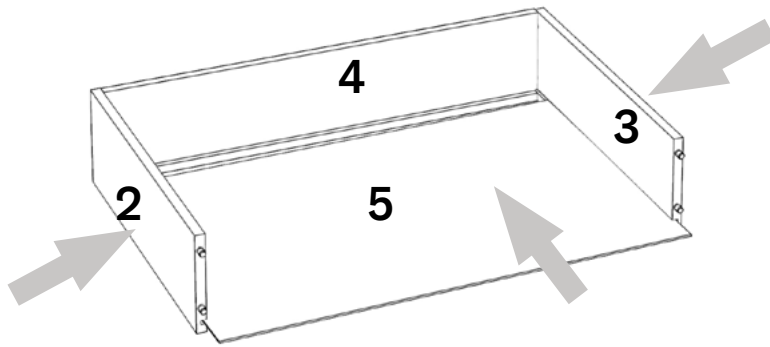
1



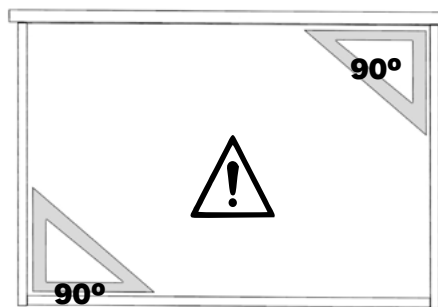
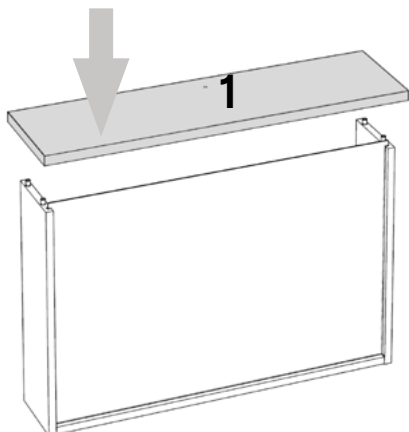
H x 04



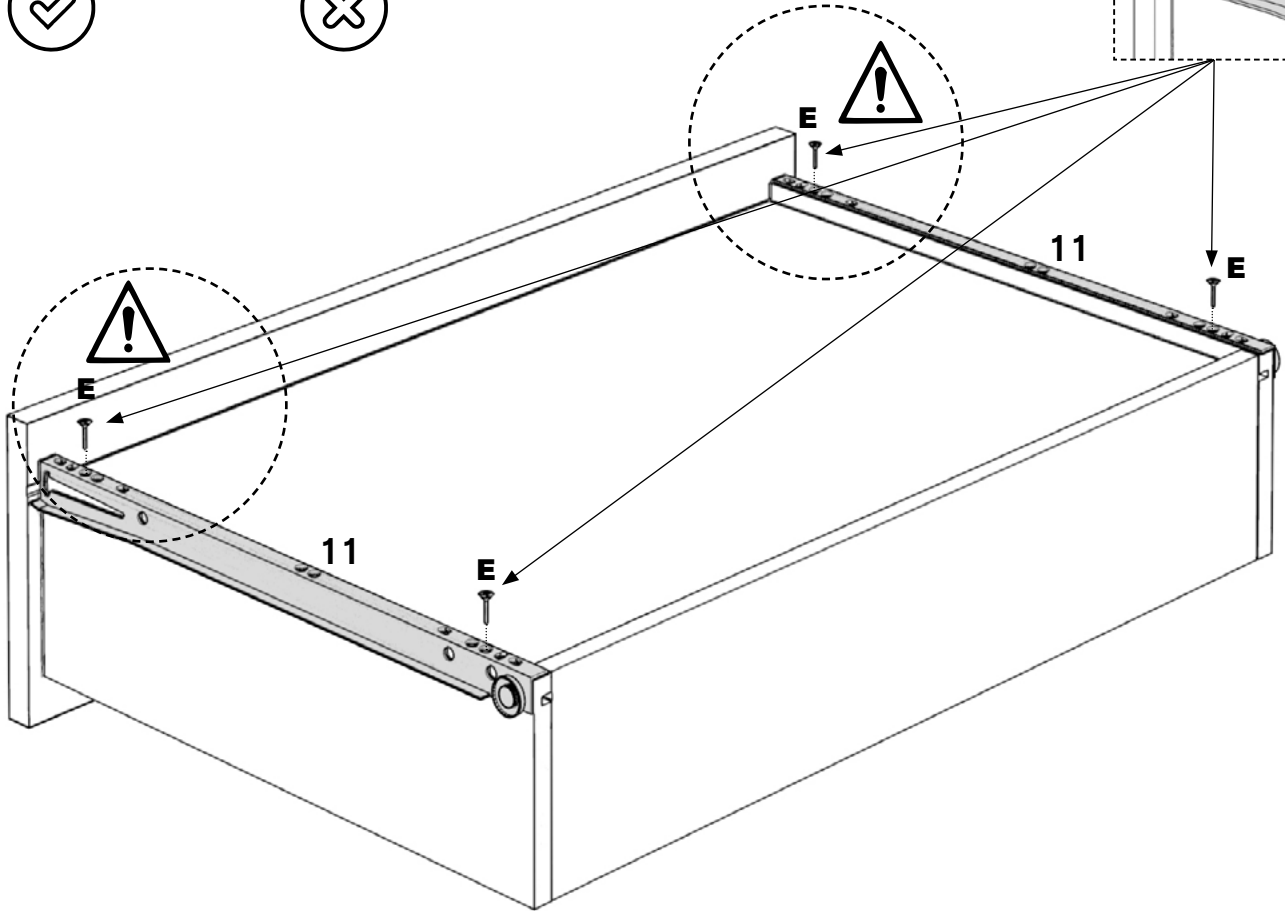
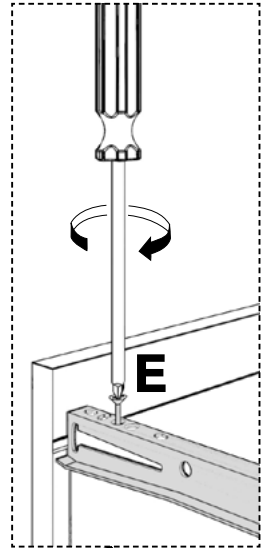
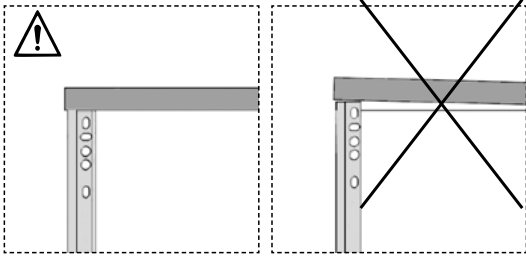
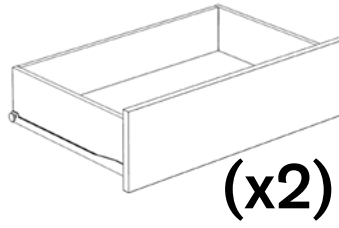
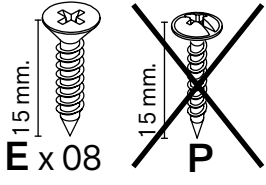
2



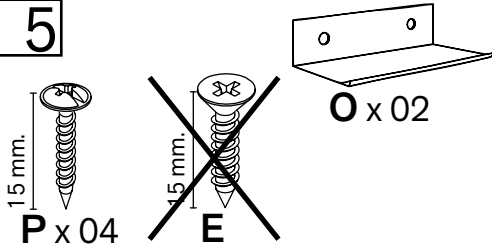
3



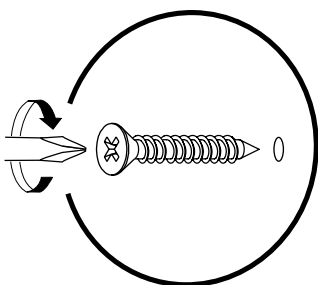
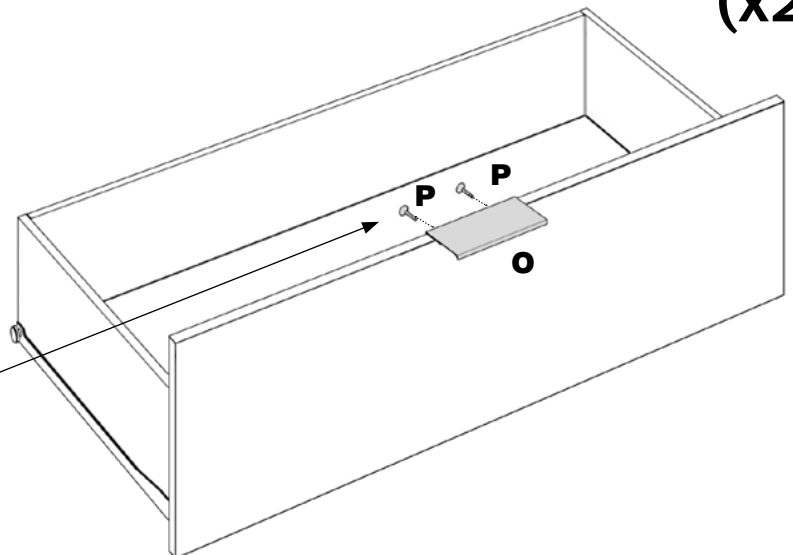
4



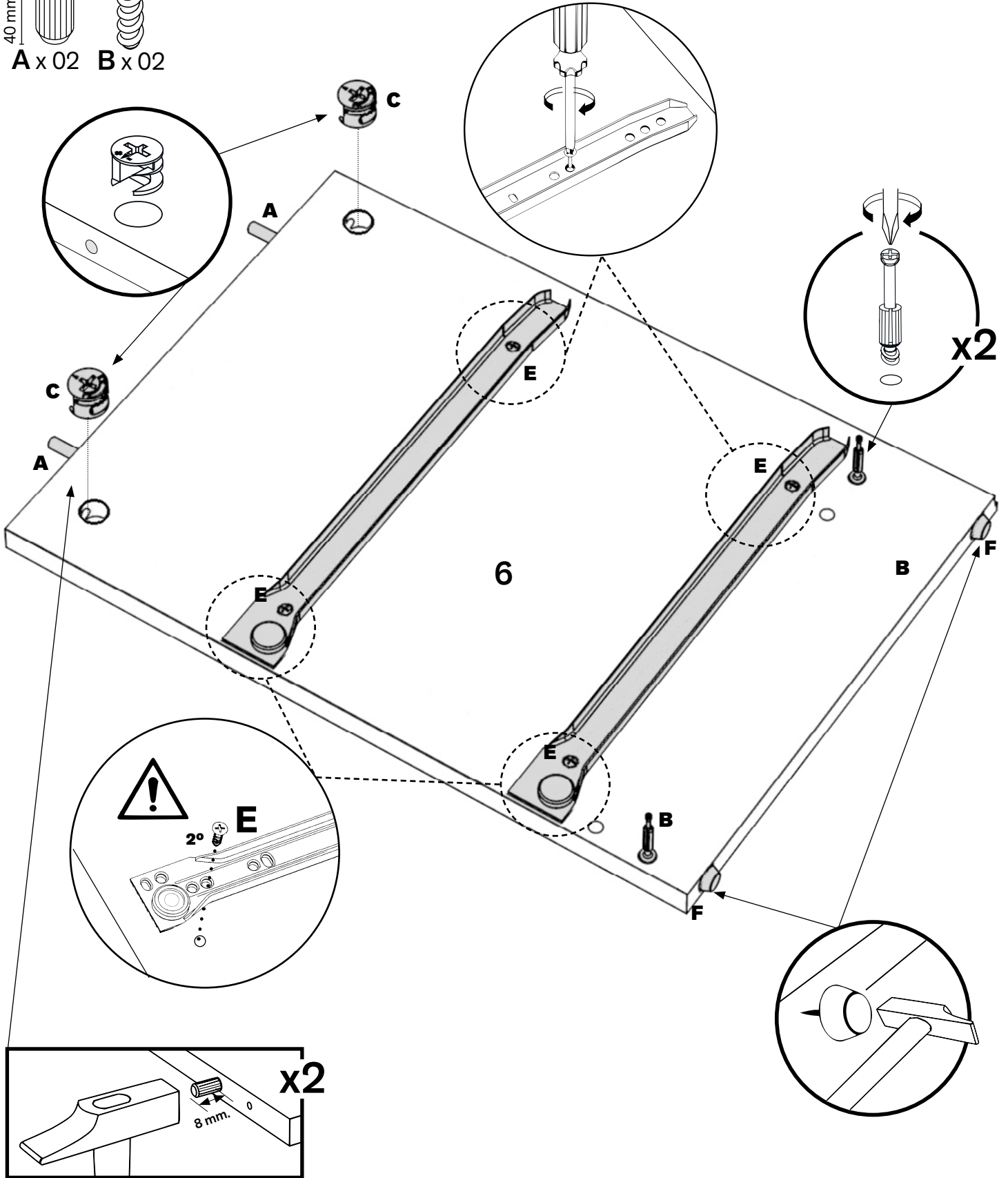
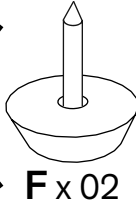
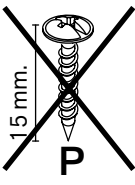
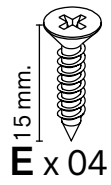
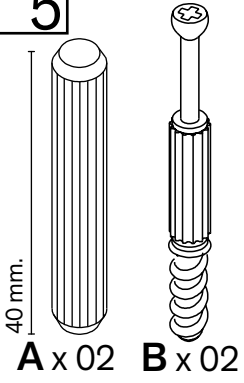
5



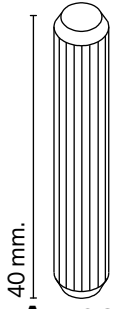
(x2)



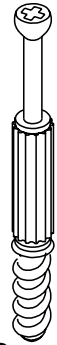
5



6



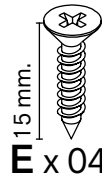
A x 02



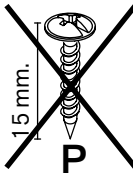
B x 02



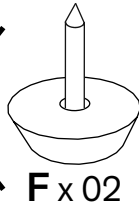
C x 02



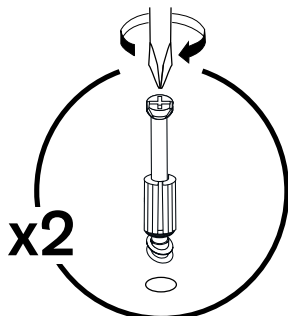
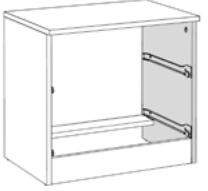
E x 04



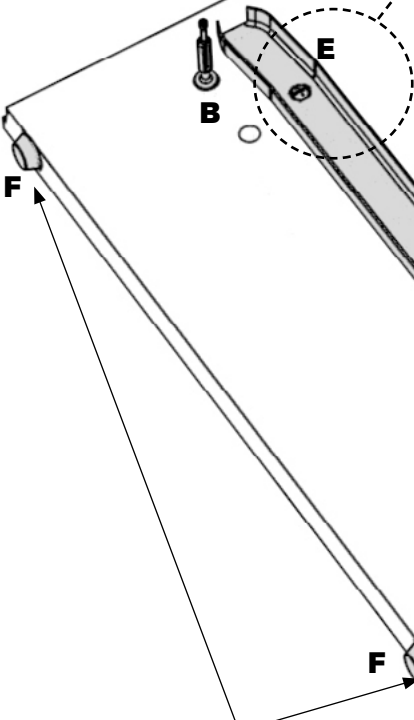
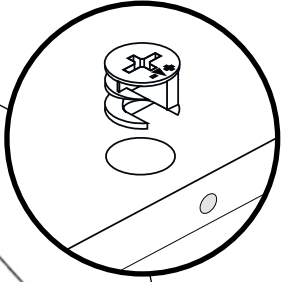
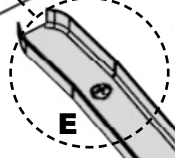
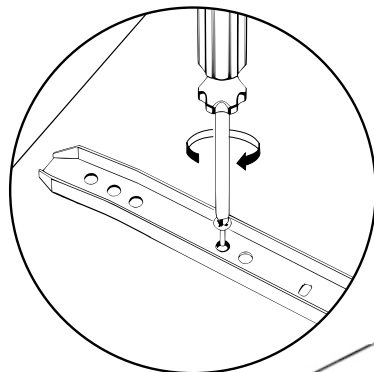
~~P~~



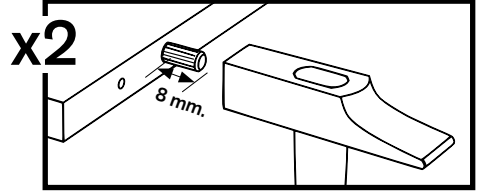
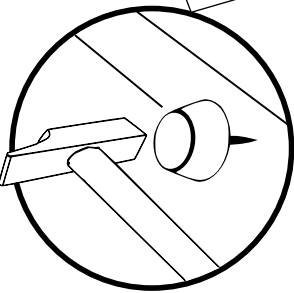
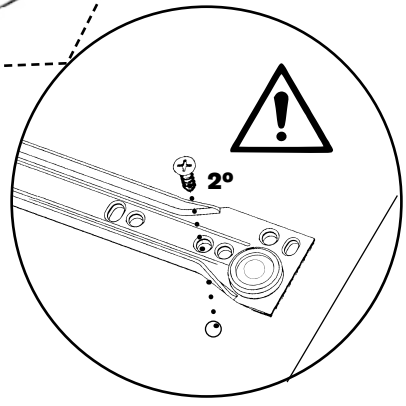
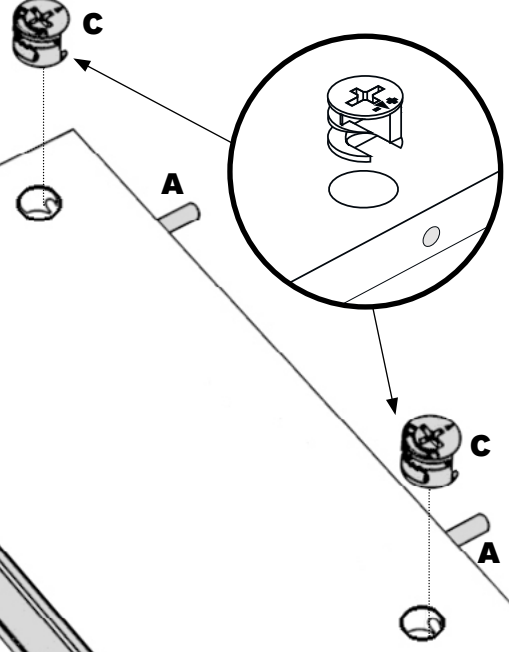
F x 02



x2

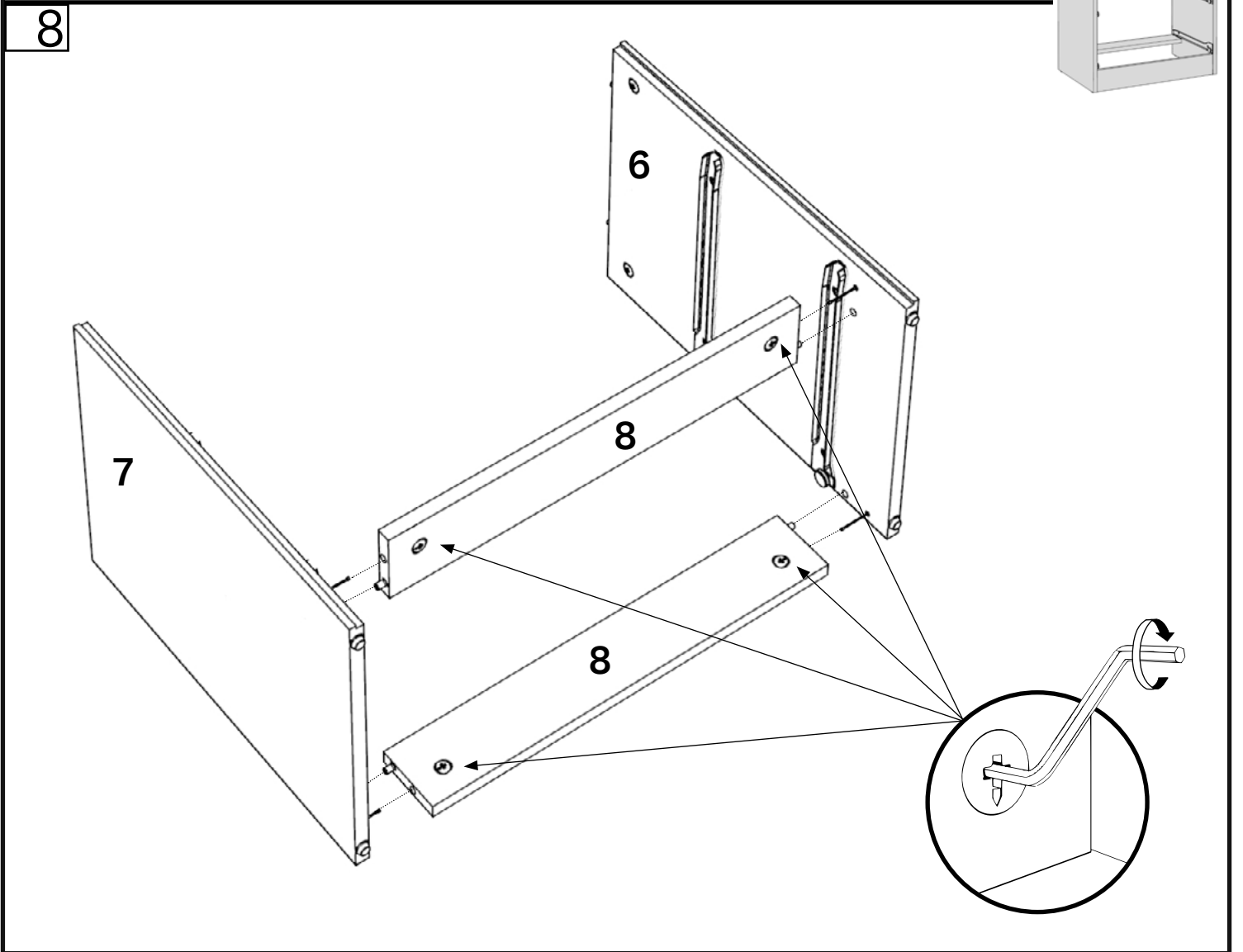
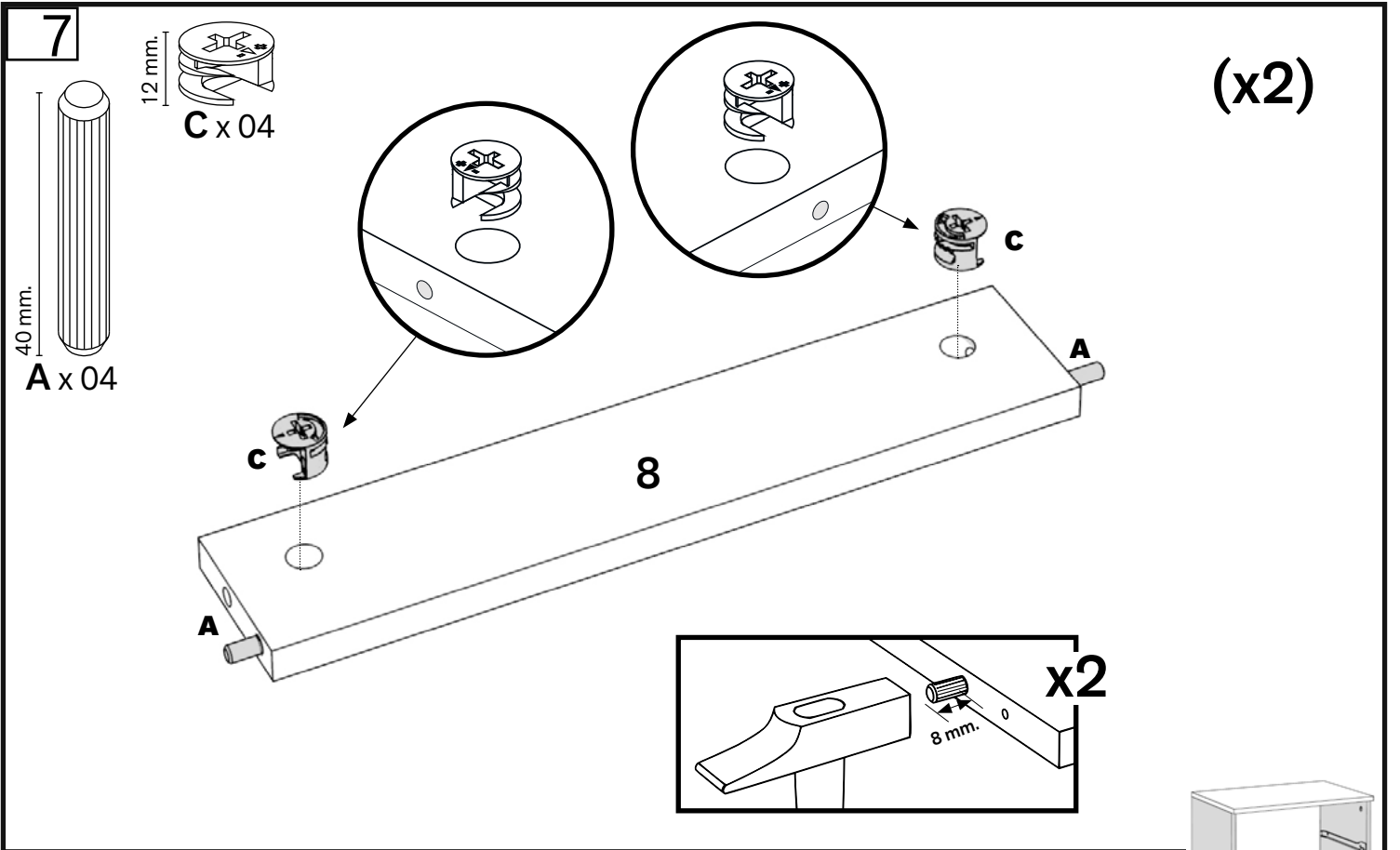


7



x2

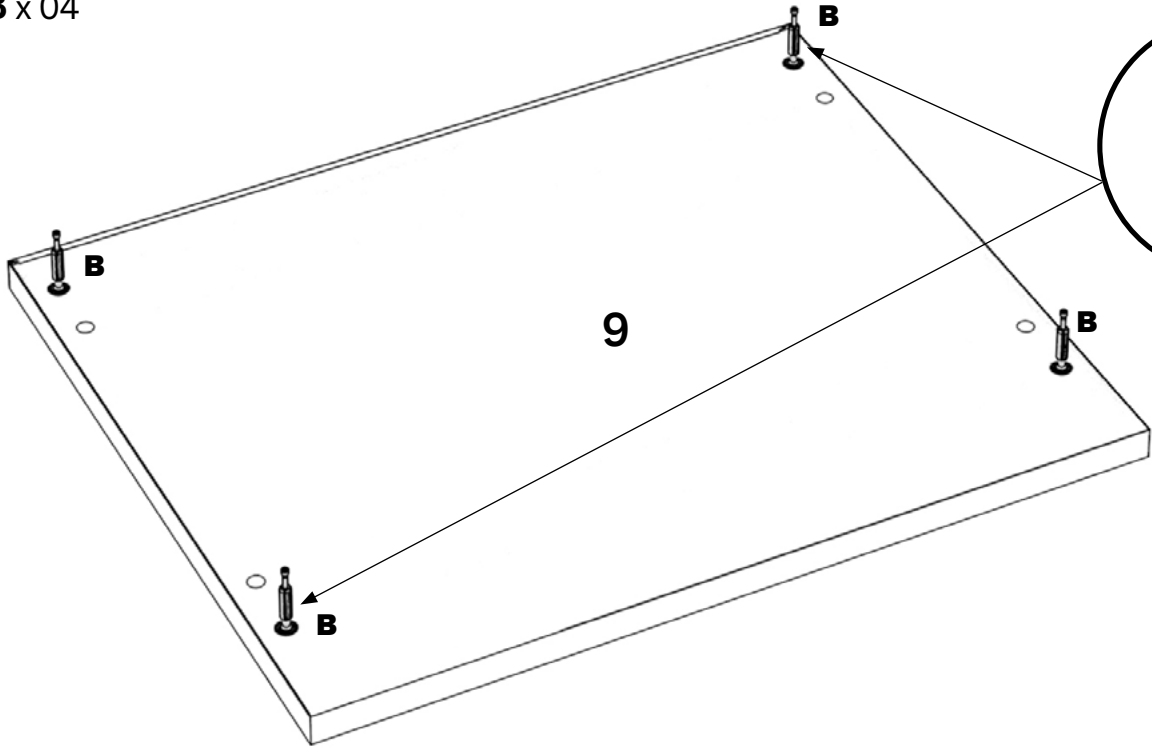
8 mm.



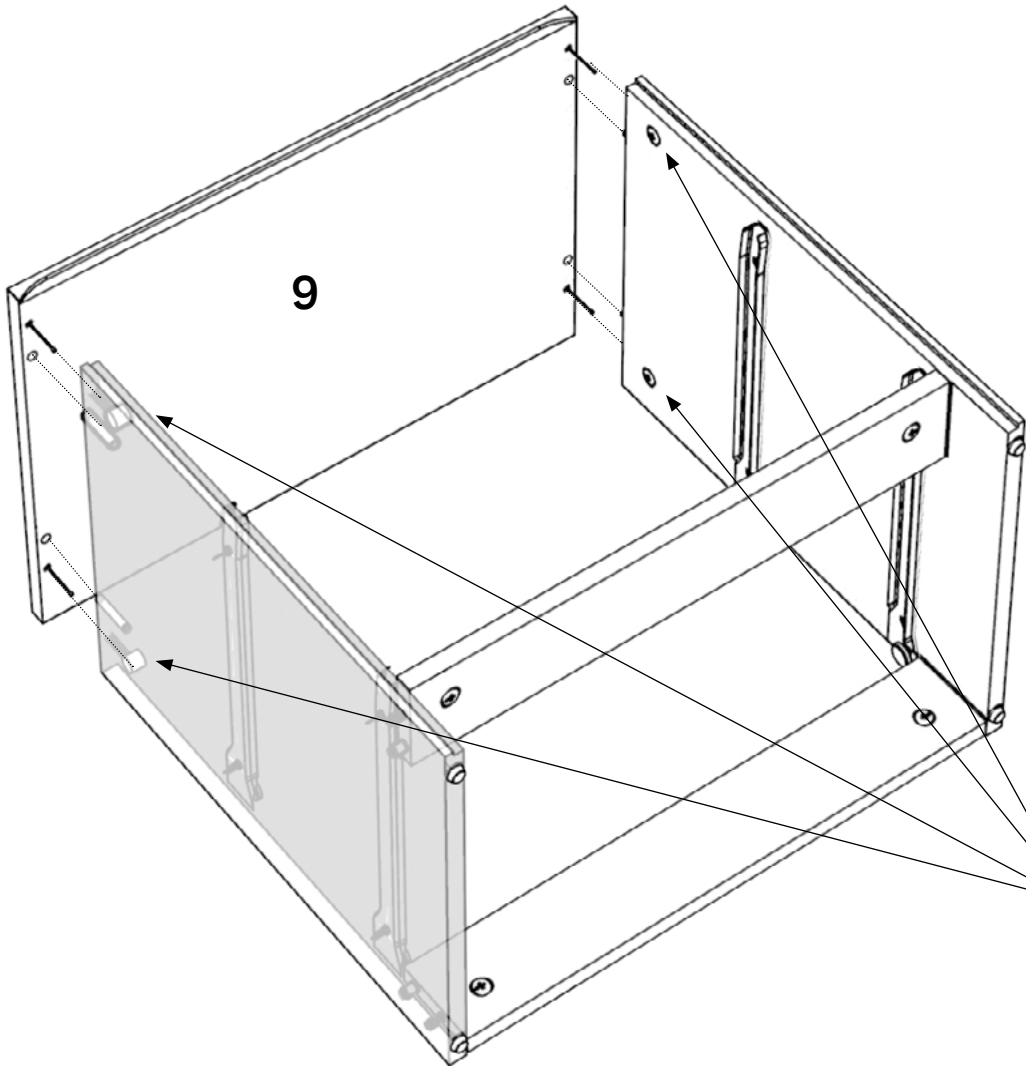
9



B x 04

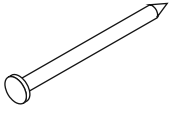


10

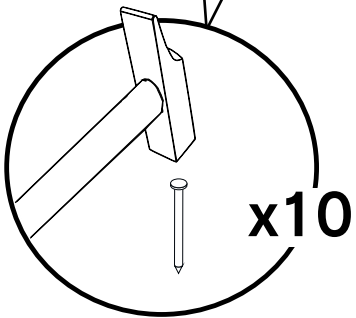
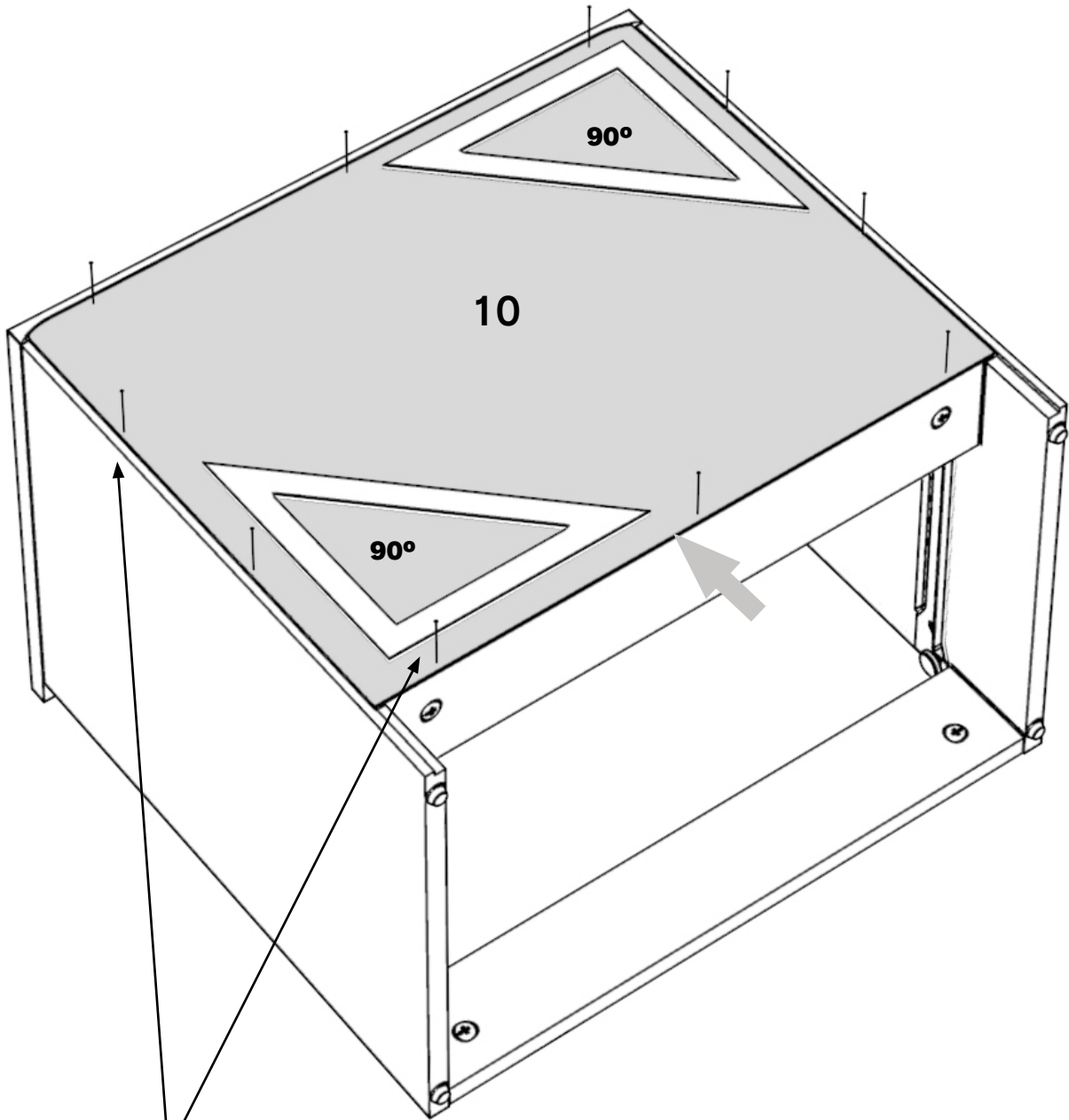
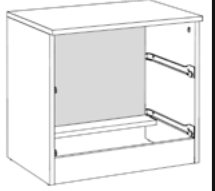




11



D x 10



x10

12

