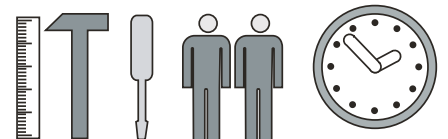
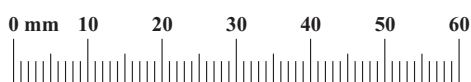
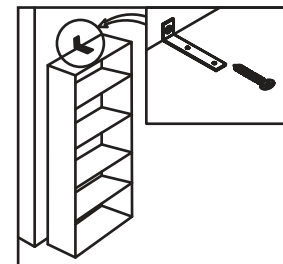
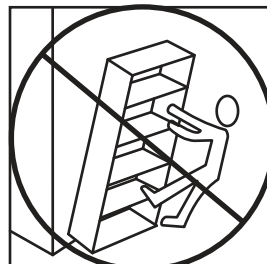
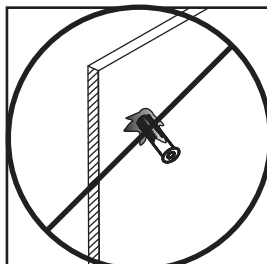
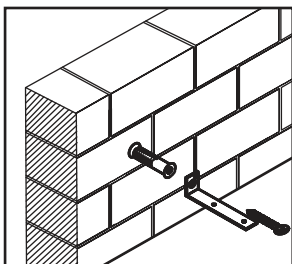
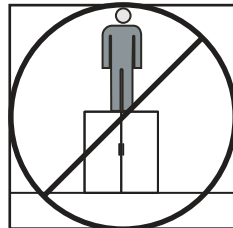
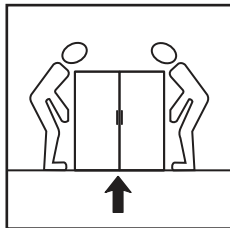
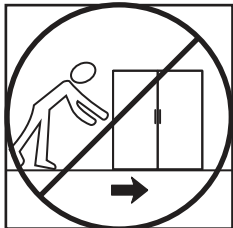
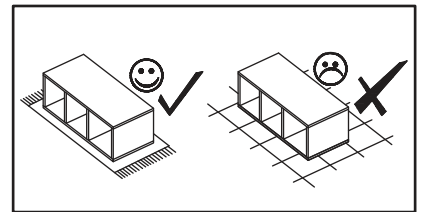
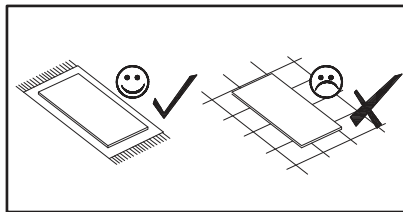
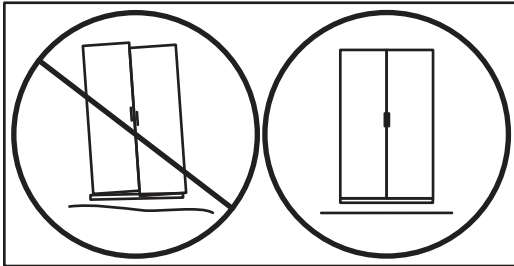
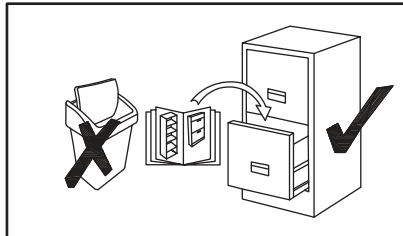
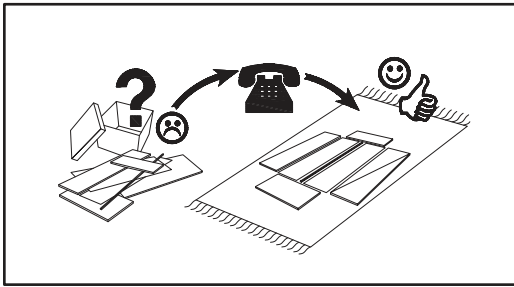


NO	Dim (mm)			Col.-No	Qty
	1	2	3		
1	714	296	16	6/6	2
2	596	180	16	6/6	1
3	905	300	16	6/6	1
4	905	300	16	6/6	1
5	602	322	22	6/6	1
6	602	322	22	6/6	1
7	250	132	16	6/6	1
8	250	132	16	6/6	1
9	511	112	16	6/6	1
10	568	268	16	6/6	2
11	523	253	3	6/6	1
12	916	289	3	6/6	1
13	916	289	3	6/6	1

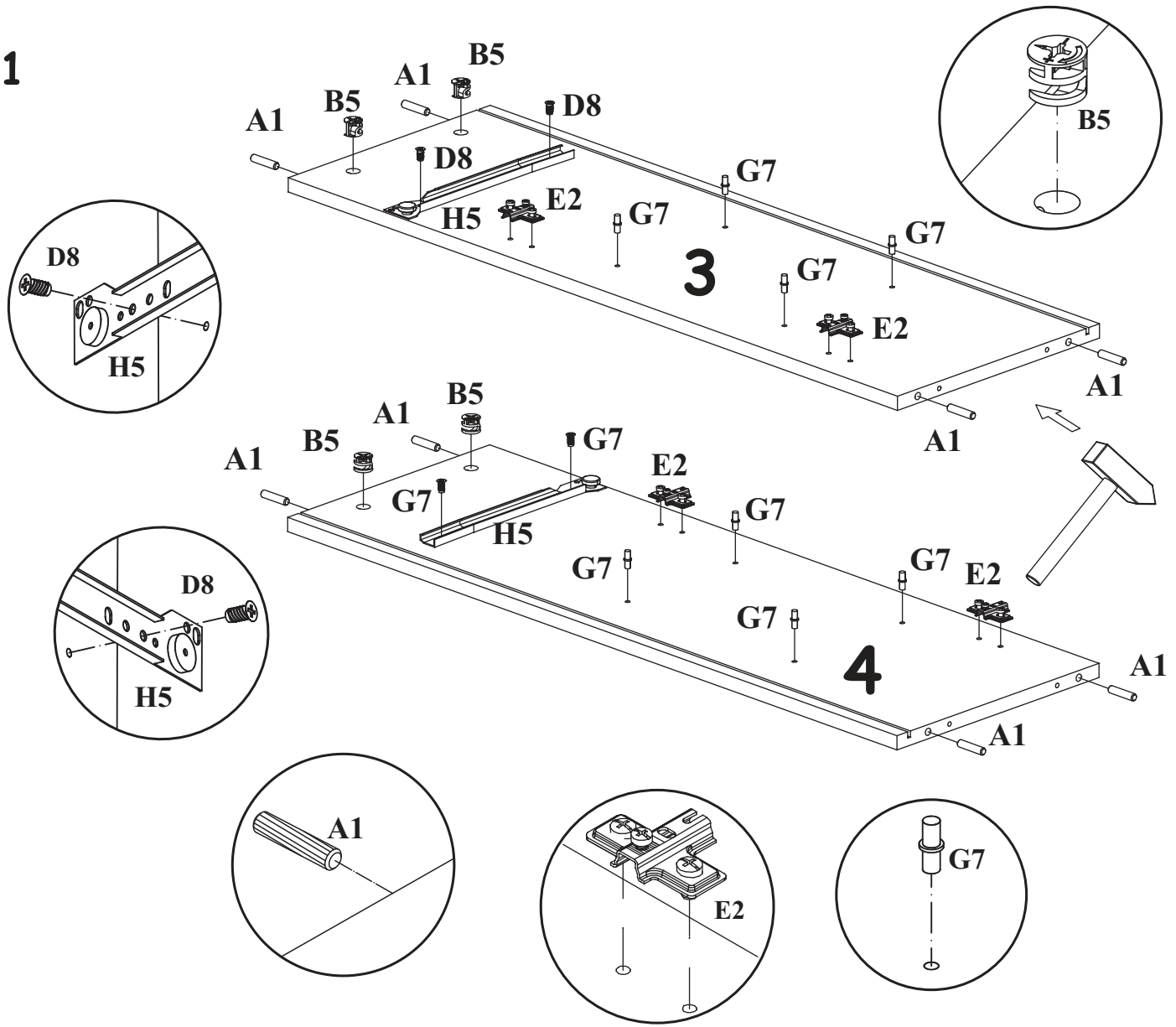


160 min.

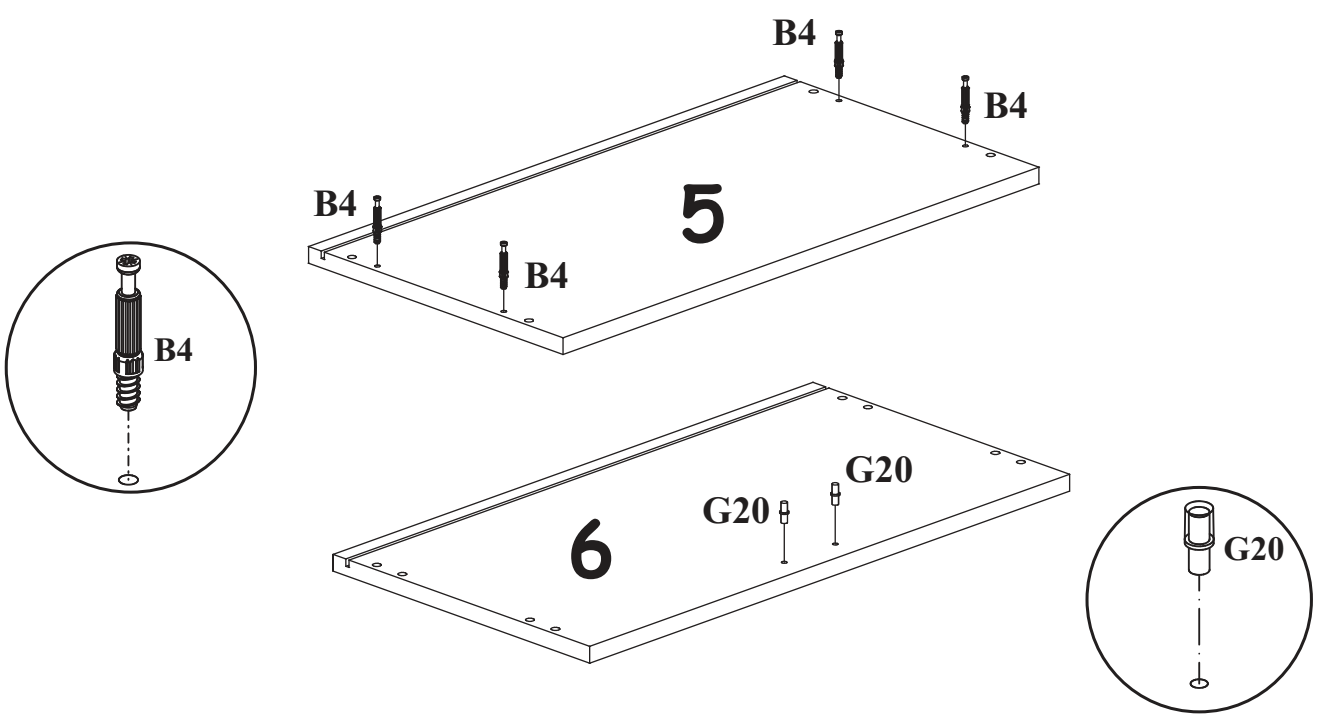
A1 X12 ø8x36	B11 X8 Ø7x50	G4 X8	B4 X6	B5 X6 ø15x12	G5 X6
G7 X8	G20 X2	E1 X4 H=0	E2 X4 H=0	KL X4	UP6 X8 UPØ4x30
Z2 X4 Ø5	KR1 X1	L1 X1	S1 X10	I11 X4	H5 X1
D10 X14 USØ3,5x13	D11 X4 USØ3,5x25	D8 X4 ESØ5x13	B3 X5 Ø1,4x25	G2 X1	G8 X1 901mm



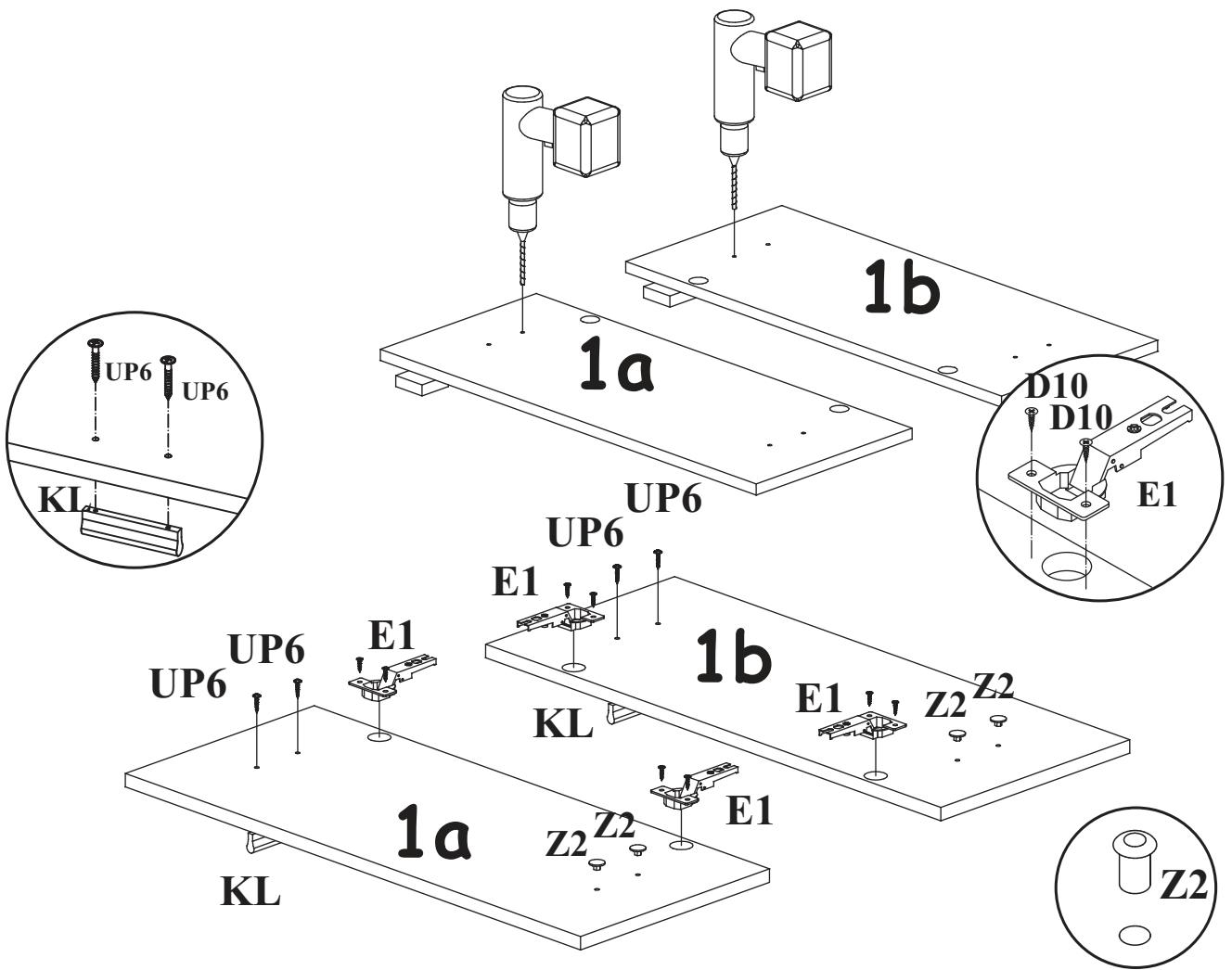
1



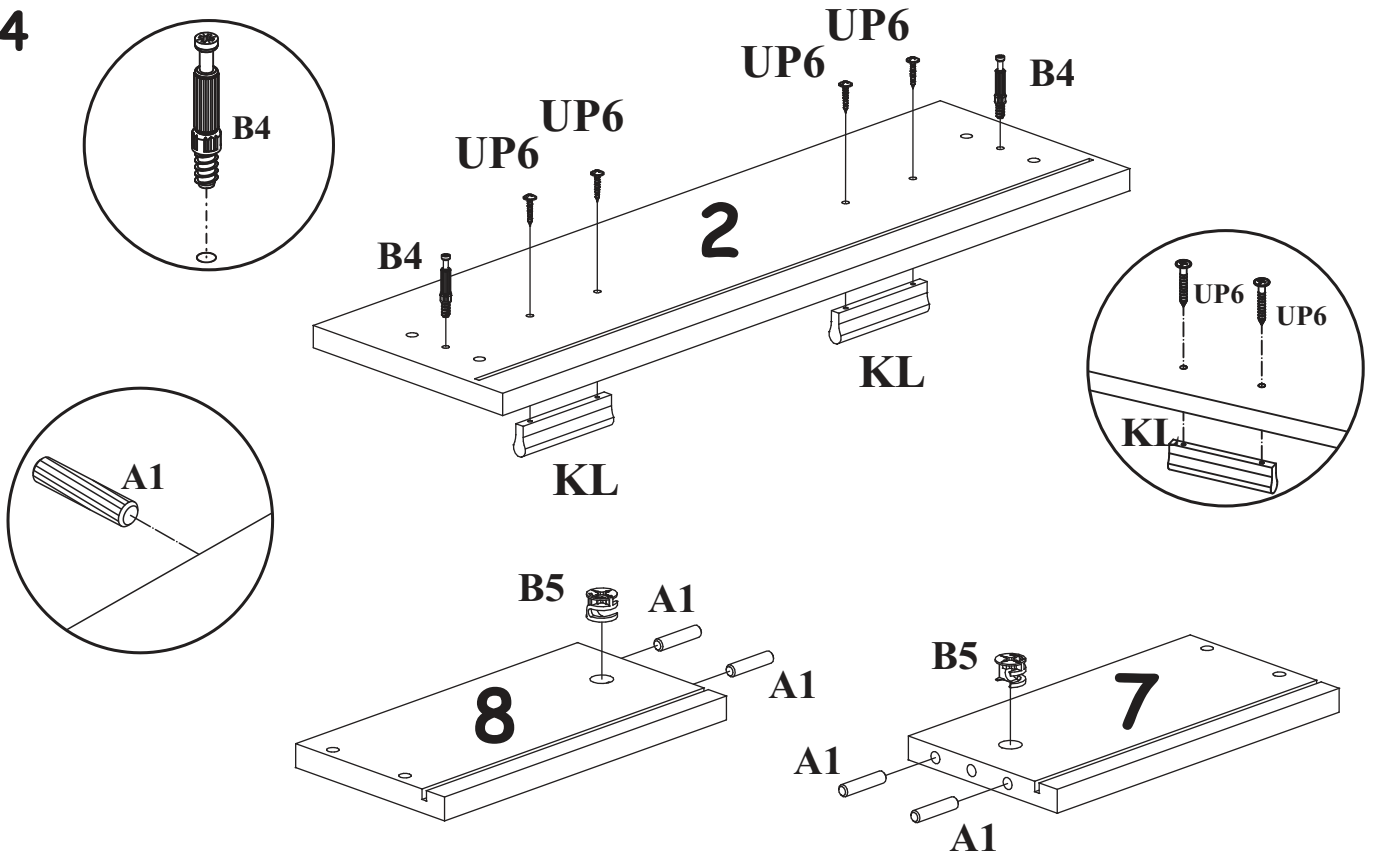
2



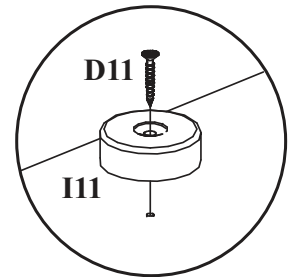
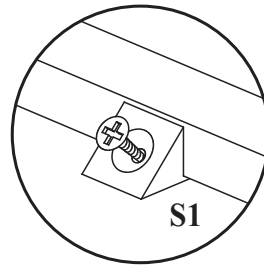
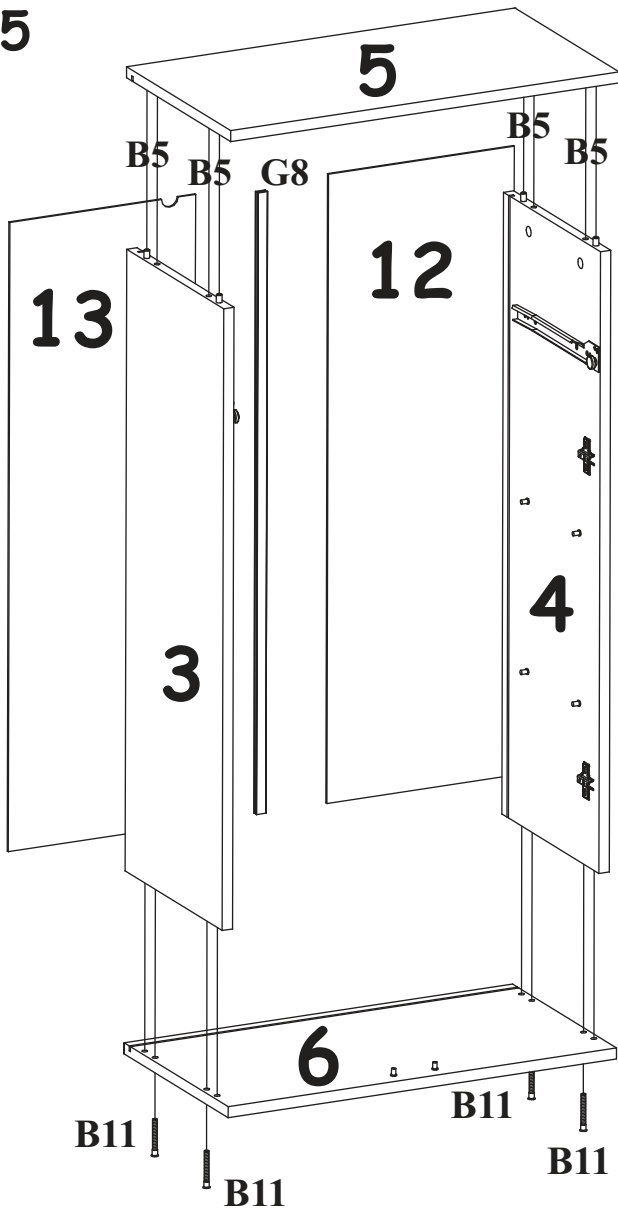
3



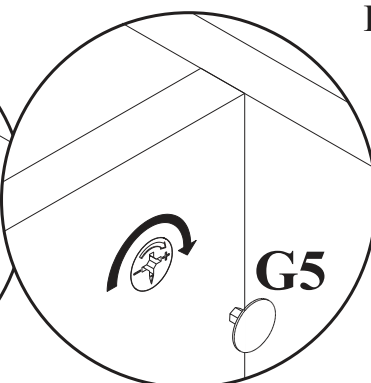
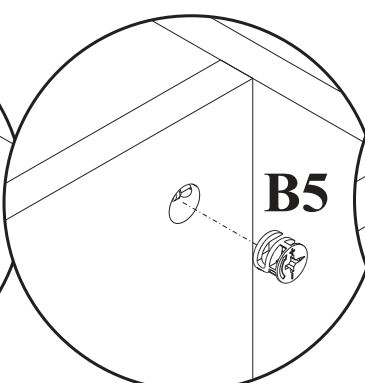
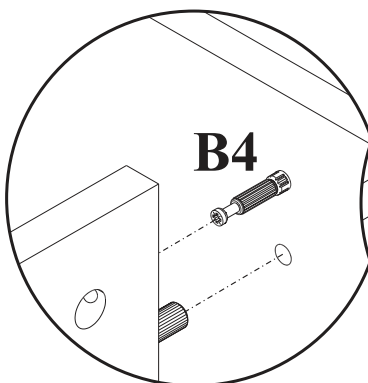
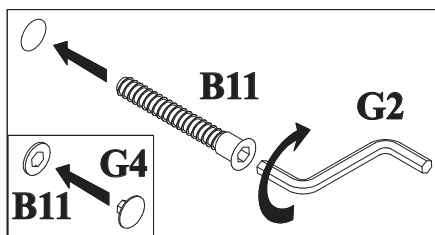
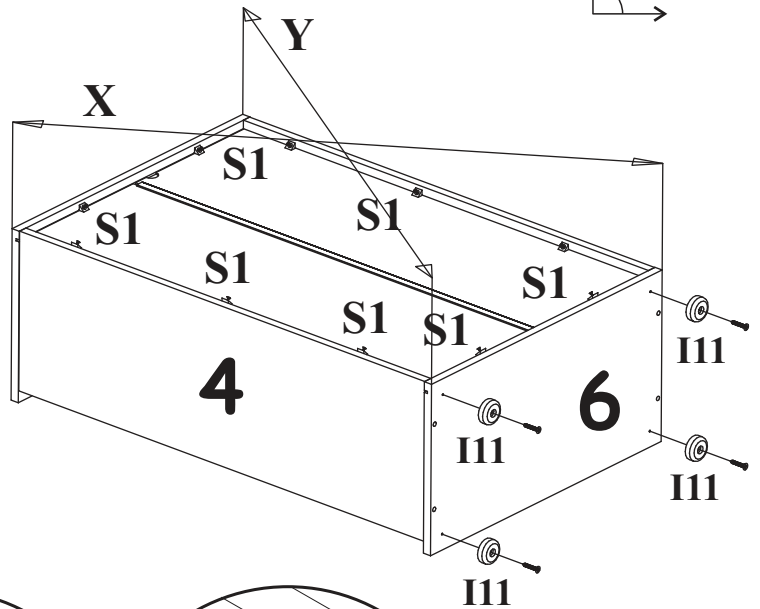
4



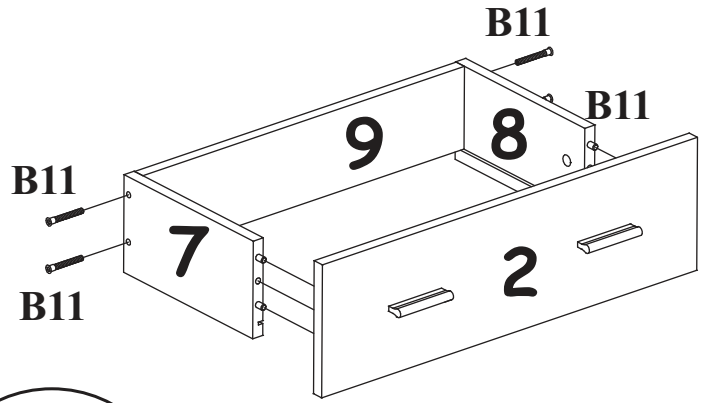
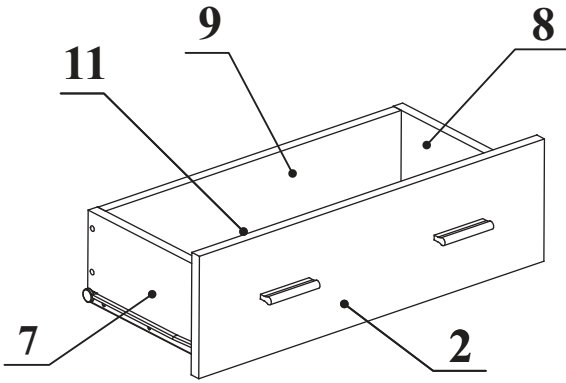
5



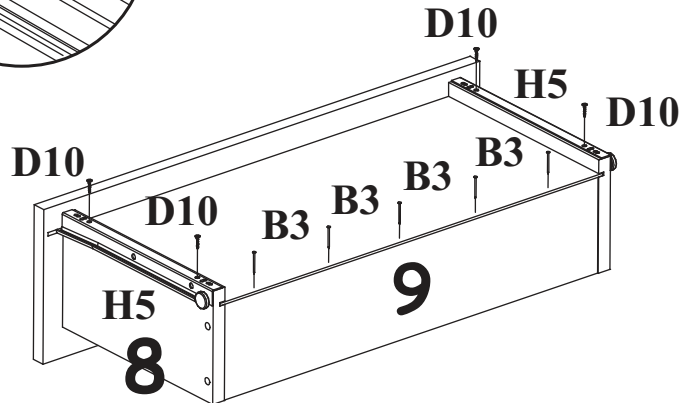
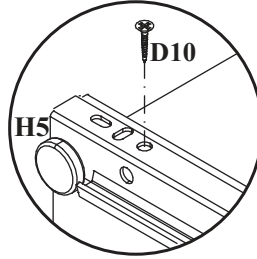
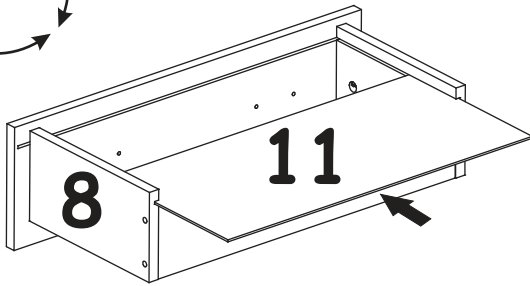
$X=Y$ 90°



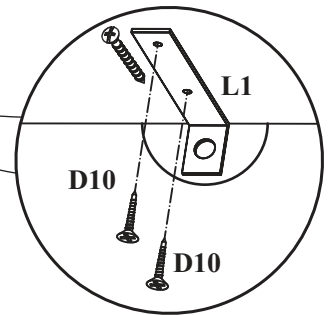
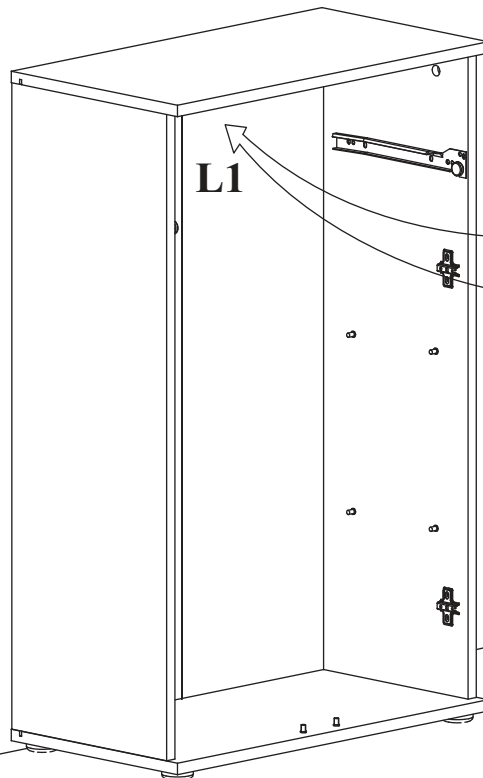
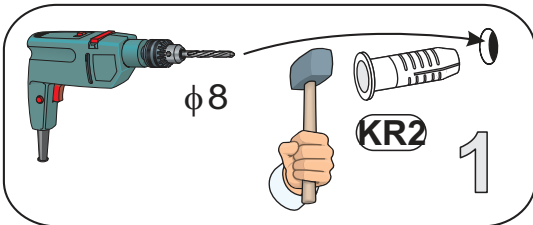
6



180°



7



8

