
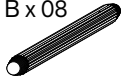
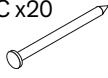
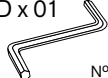
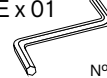


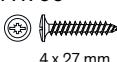
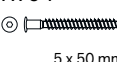
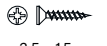
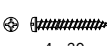


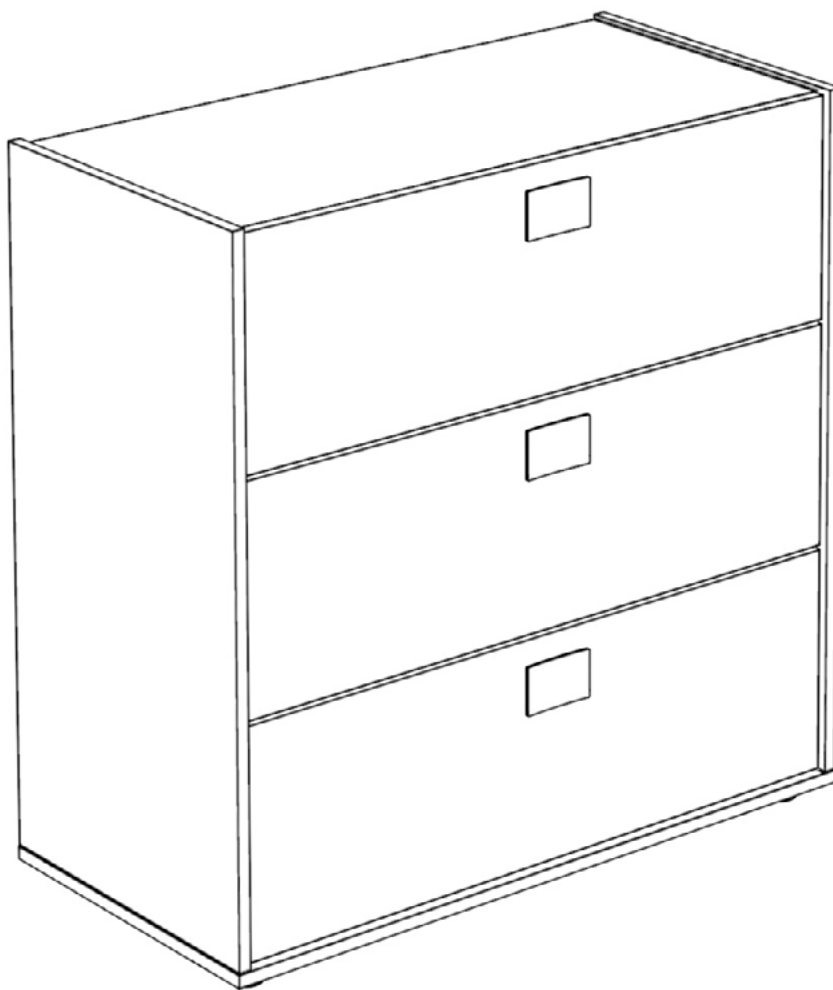
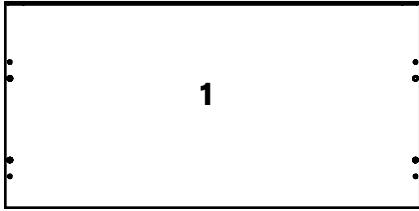
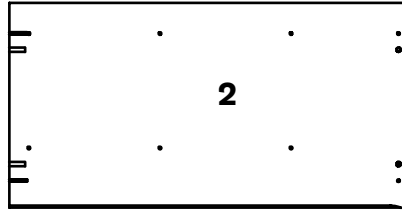


A x 03 	B x 08 	C x 20 	D x 01  N° 3	E x 01  N° 4	F x 04 	G x 04 	H x 06  4 x 27 mm.	I x 04  5 x 50 mm.
J x 24  3.5 x 15 mm.	K x 04  4 x 30 mm.	L x 04 						

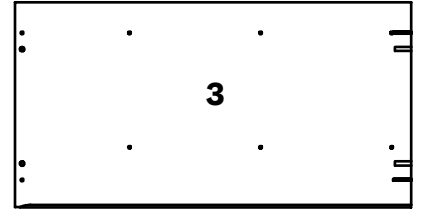




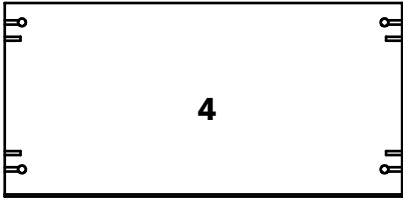
810 x 402 mm.



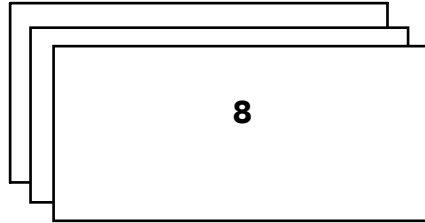
774 x 401 mm.



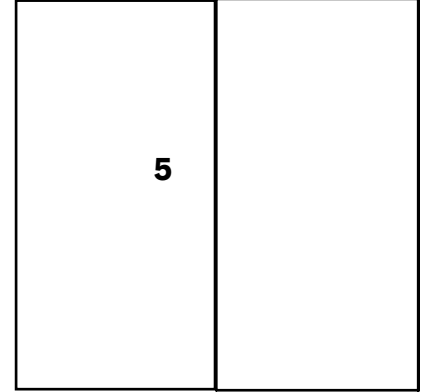
774 x 401 mm.



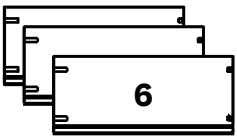
776 x 379 mm.



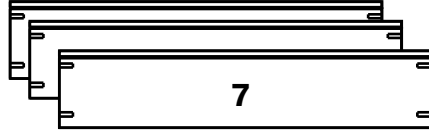
737 x 351 mm.



764 x 401 mm.



350 x 150 mm.



726 x 150 mm.



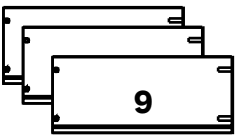
11

350 mm.

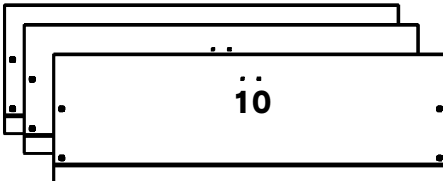


11

350 mm.



350 x 150 mm.

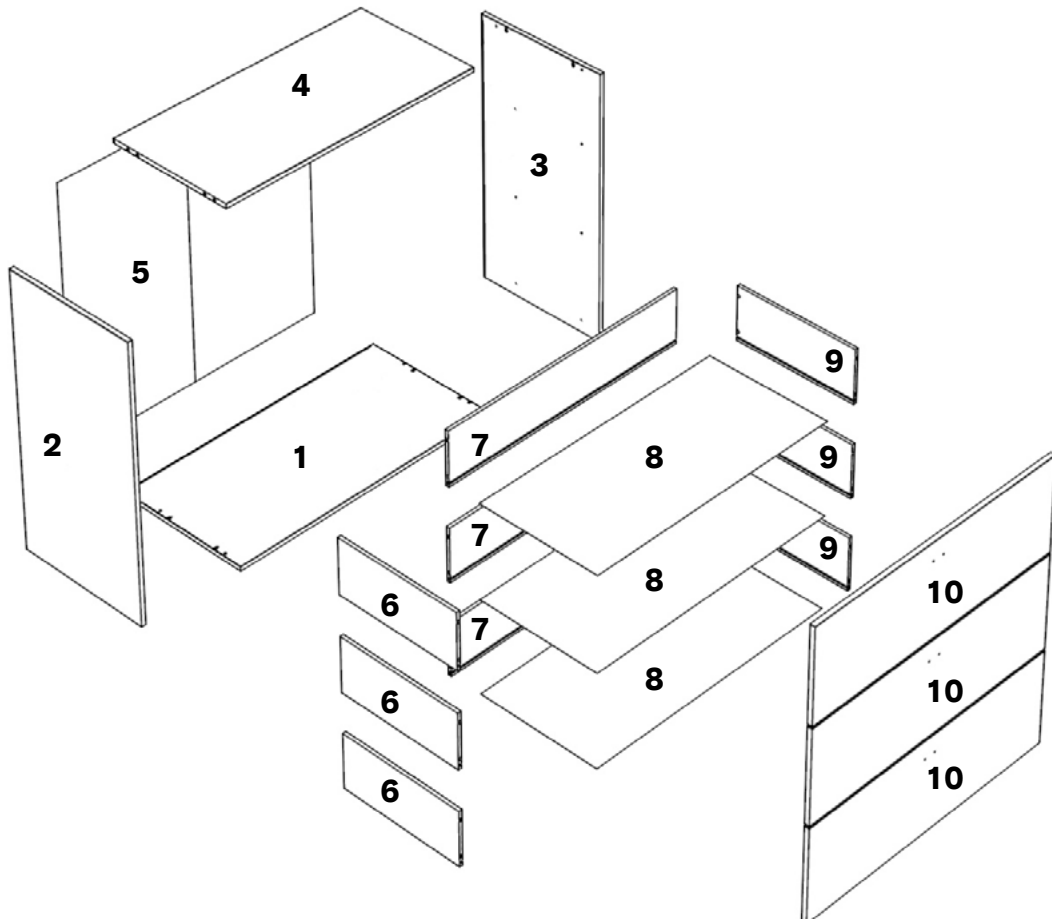


770 x 253 mm.



11

350 mm.



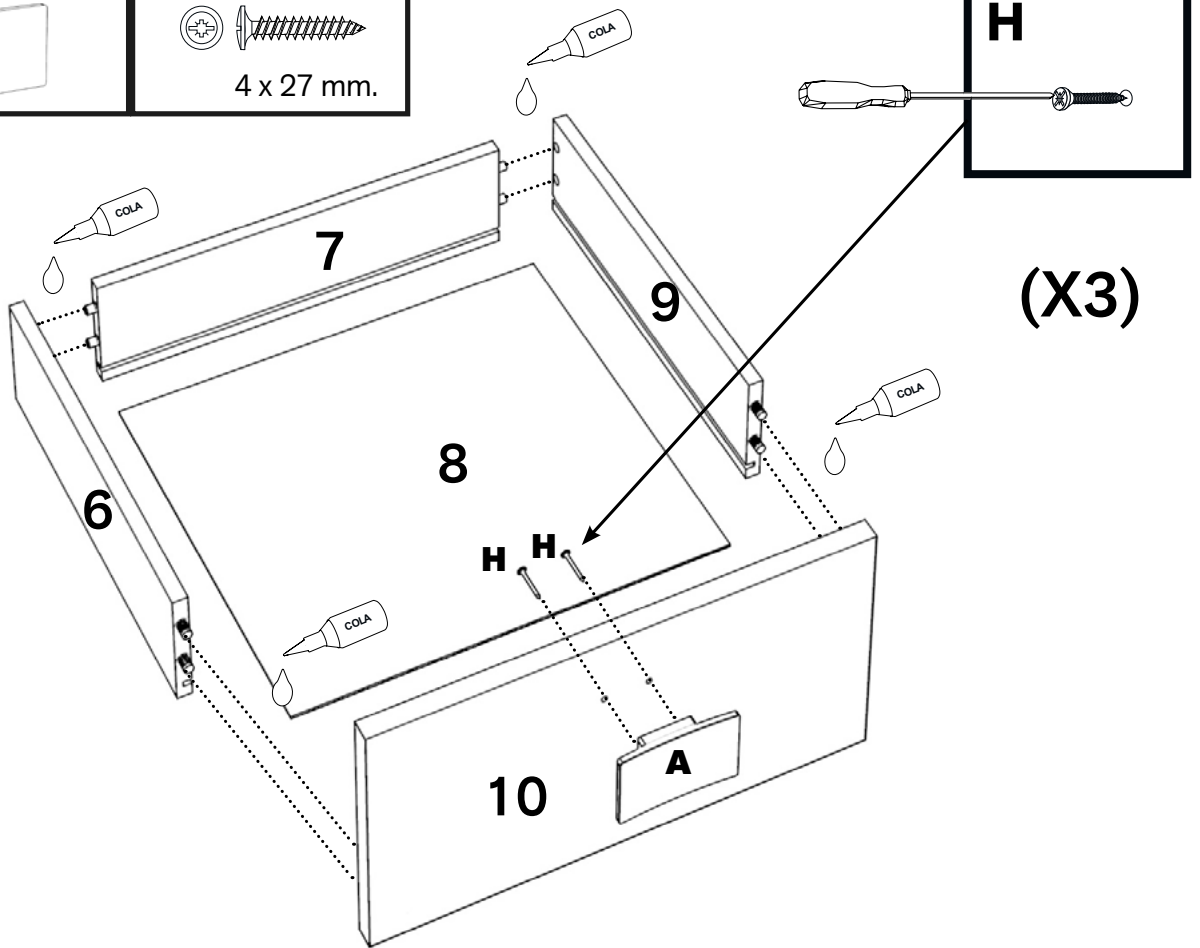
1 A x 03



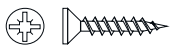
H x 06



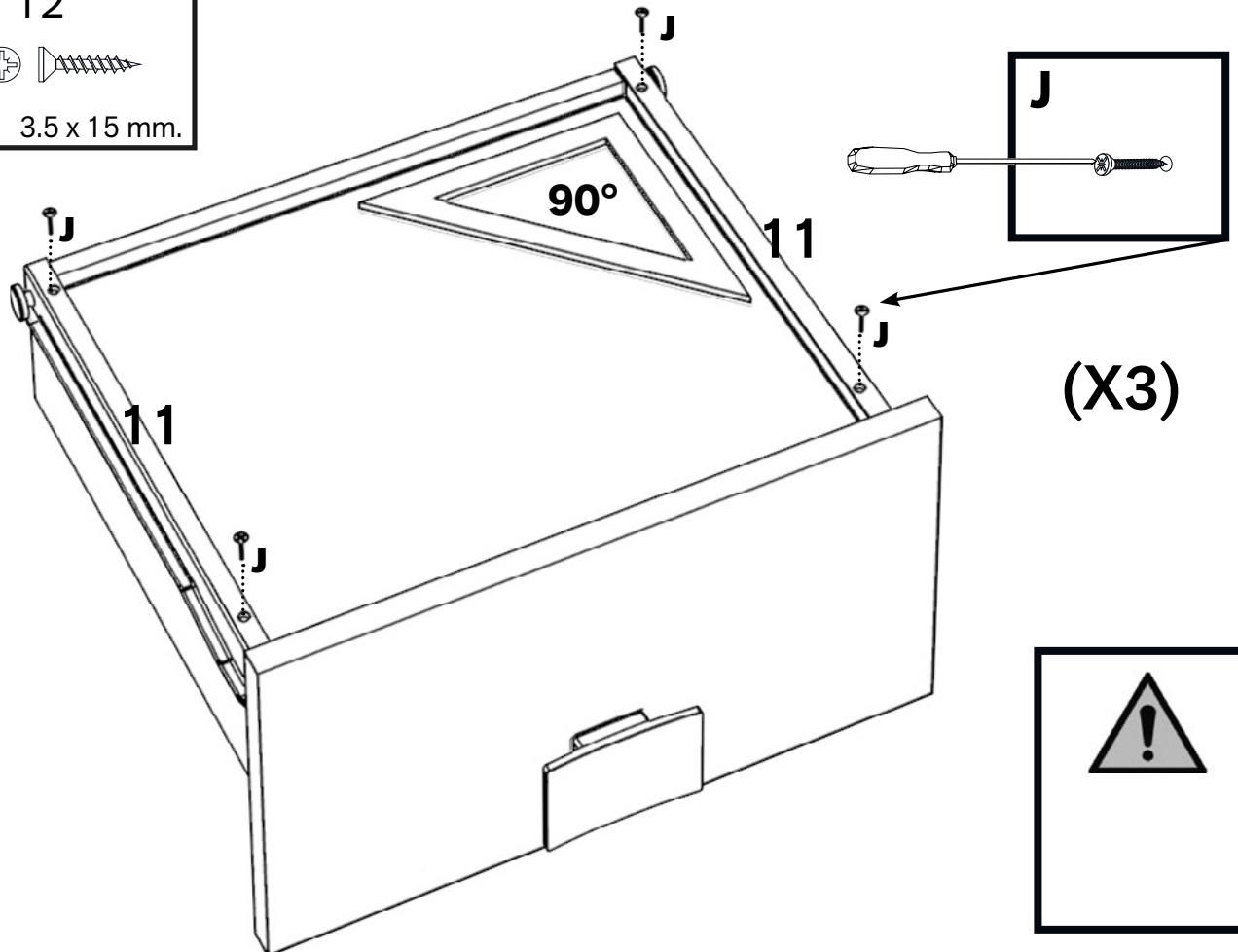
4 x 27 mm.



2 J x 12



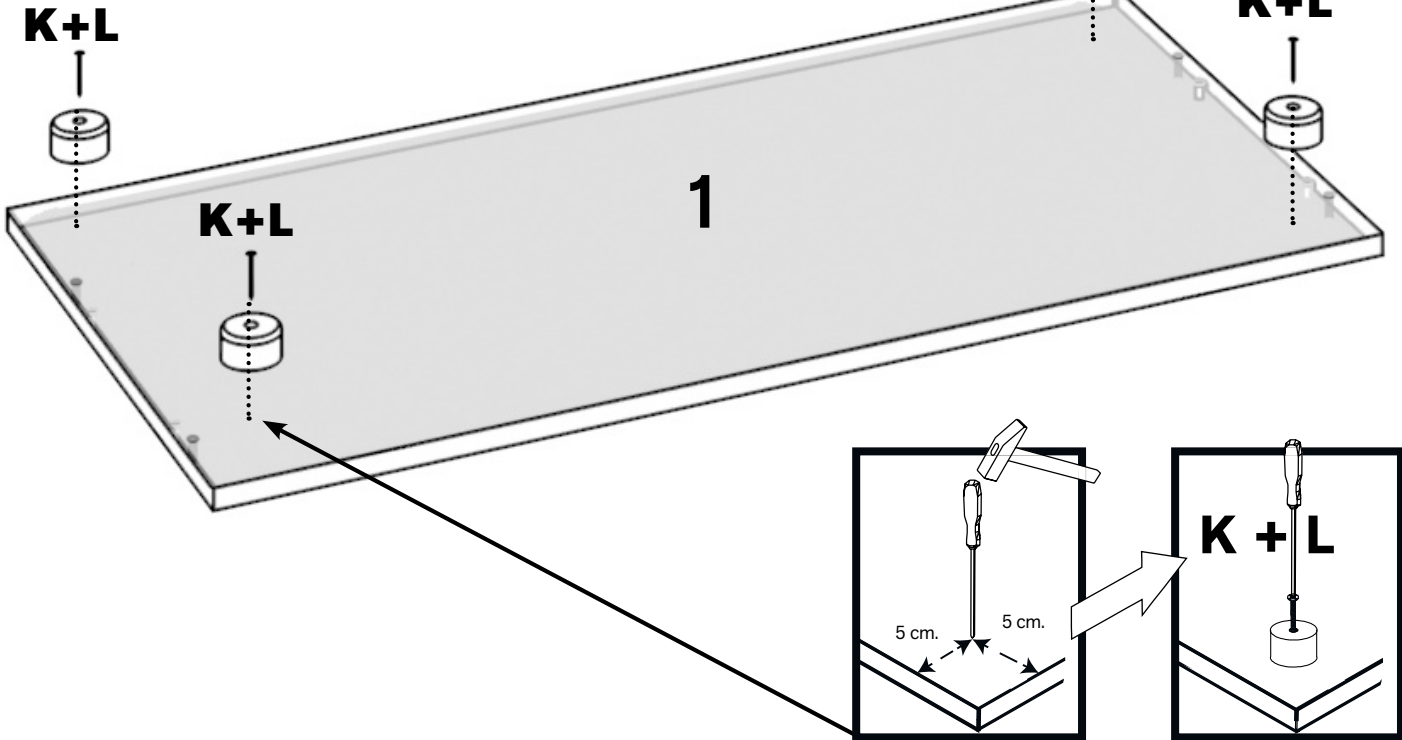
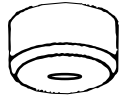
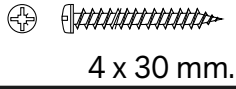
3.5 x 15 mm.



3

K x 04

L x 04

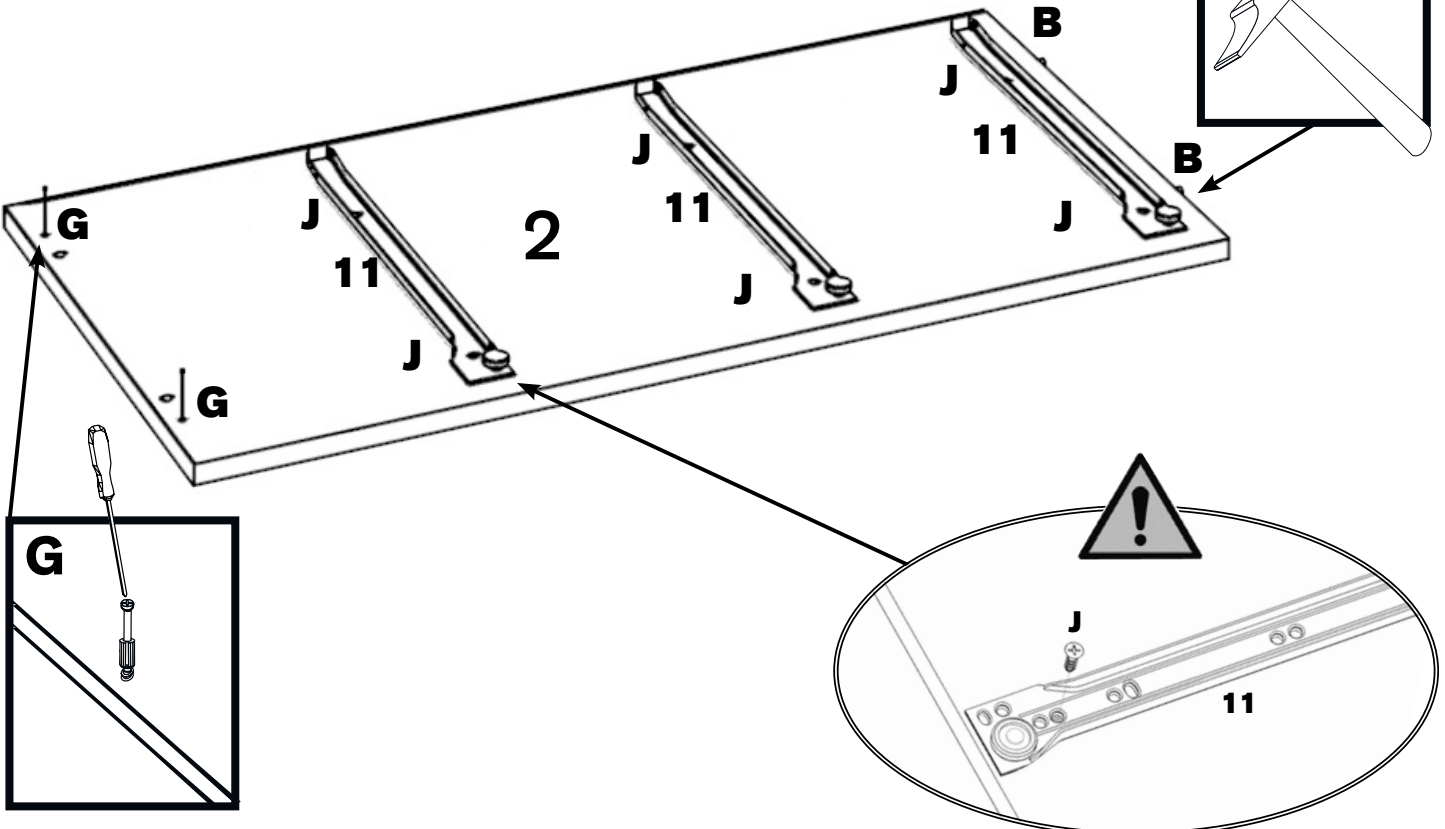
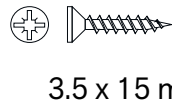
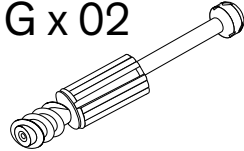
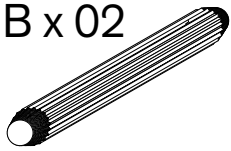


4

B x 02

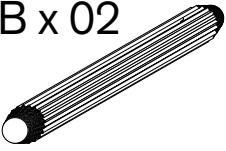
G x 02

J x 06

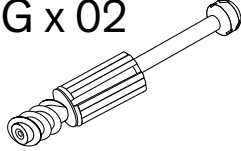


5

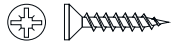
B x 02



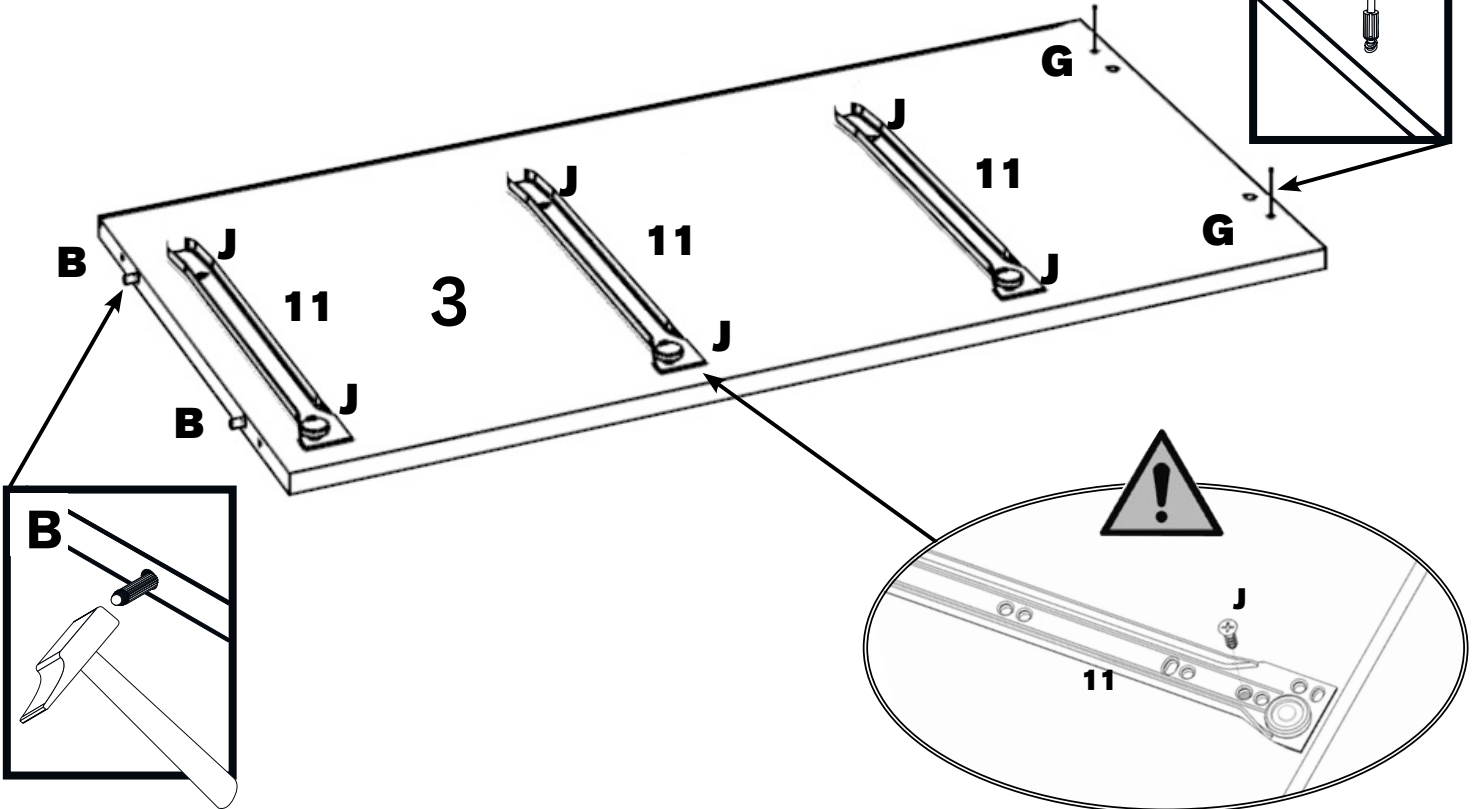
G x 02



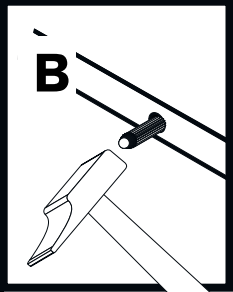
J x 06



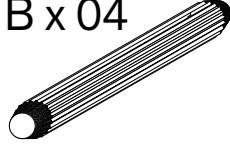
3.5 x 15 mm.



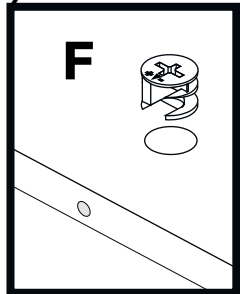
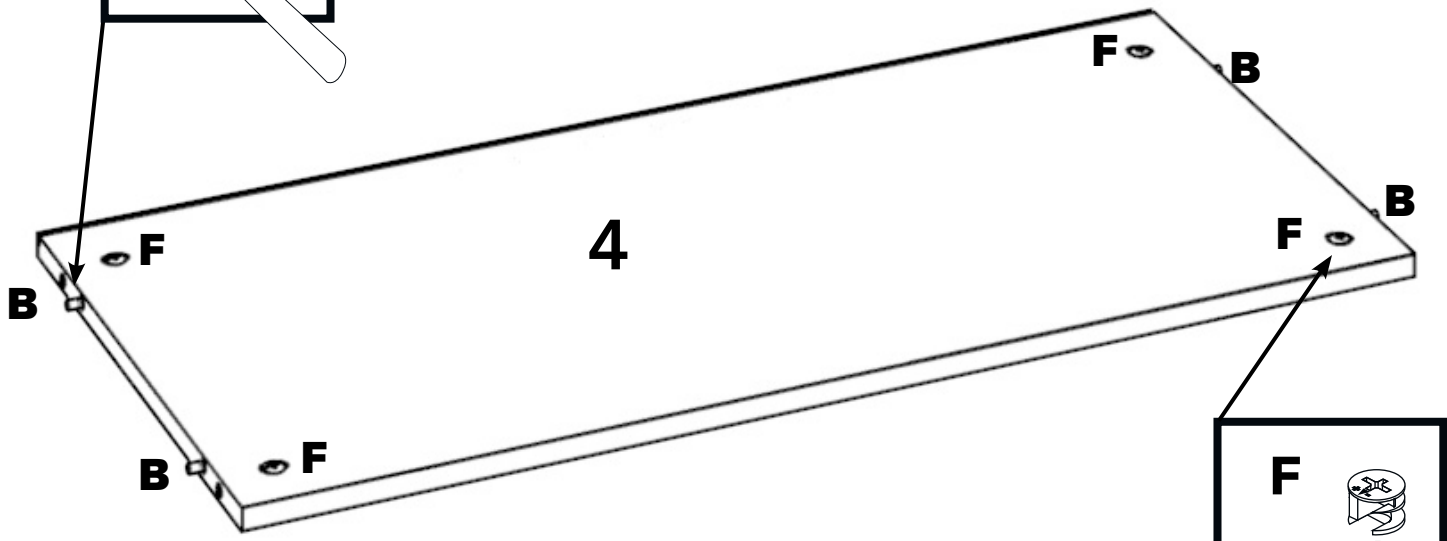
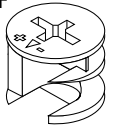
6



B x 04

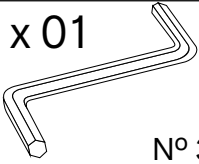


F x 04



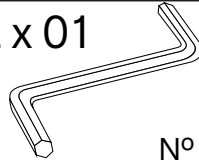
7

D x 01



N° 3

E x 01

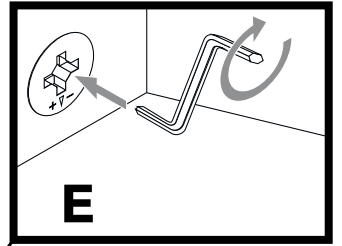


N° 4

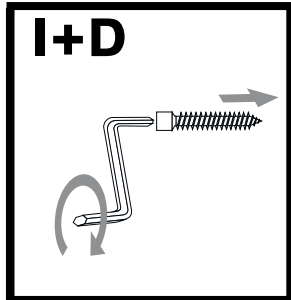
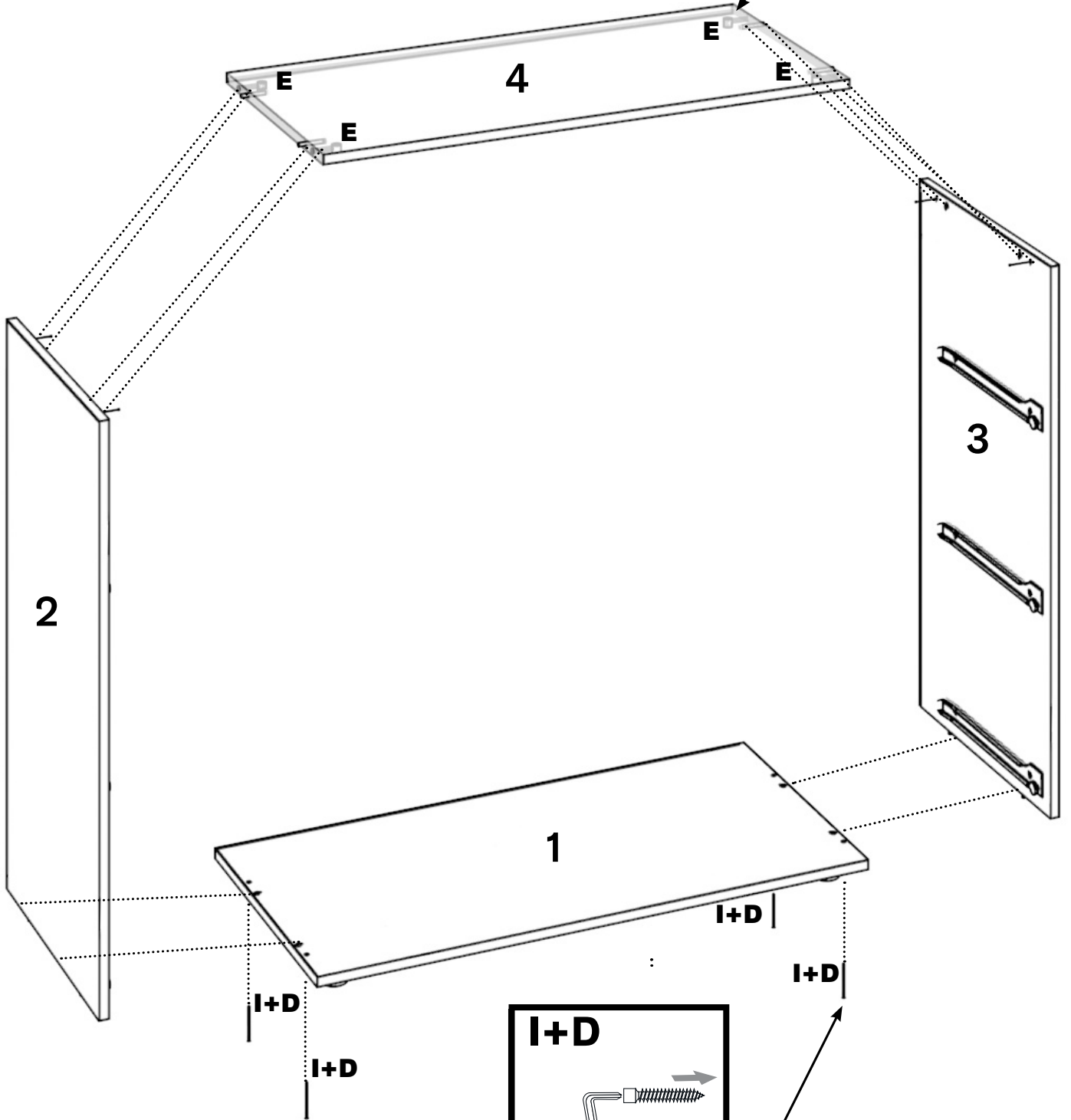
I x 04



5 x 50 mm.



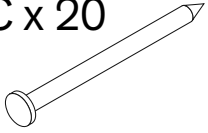
E



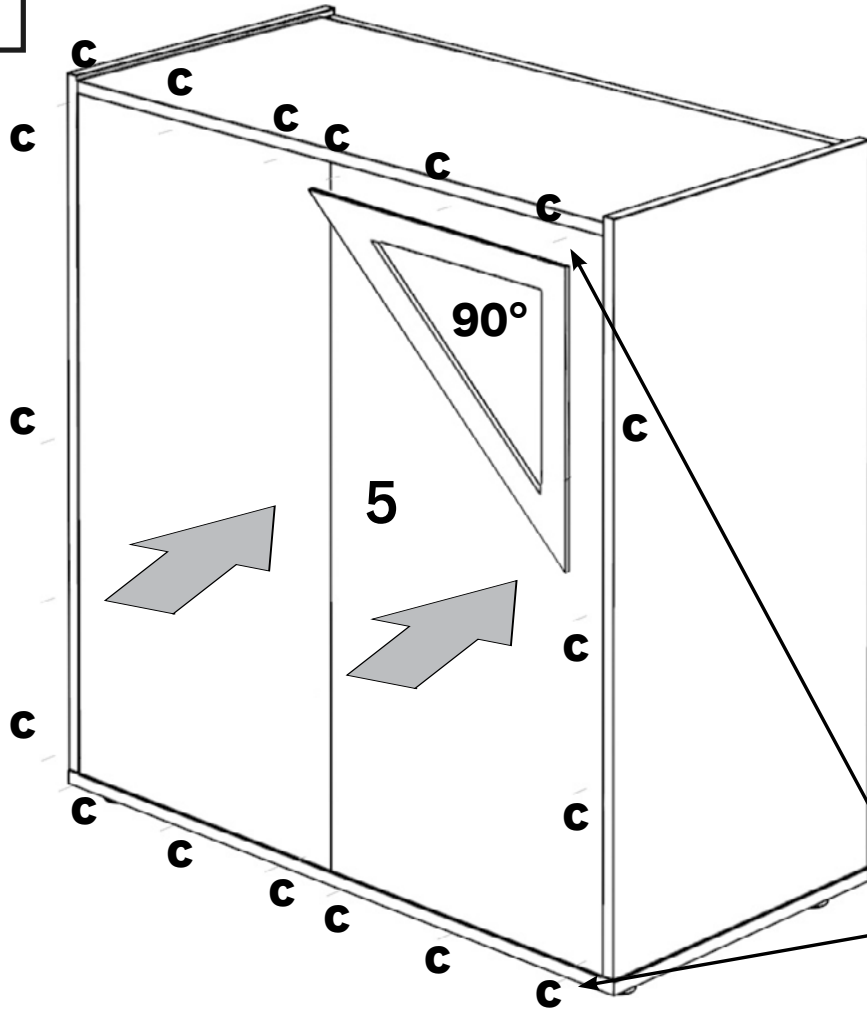
I+D

8

C x 20



180°



9

