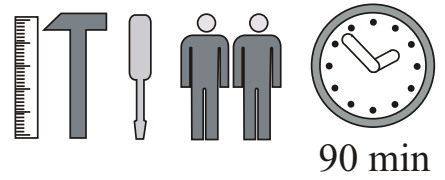
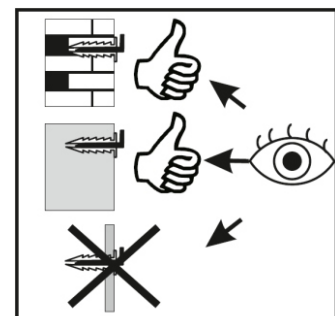
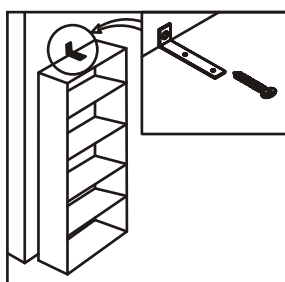
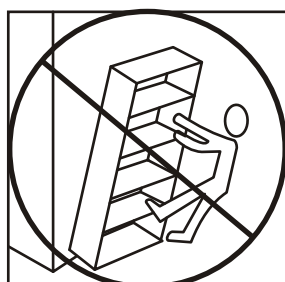
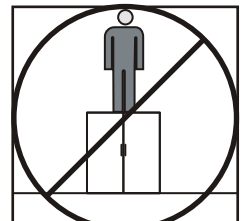
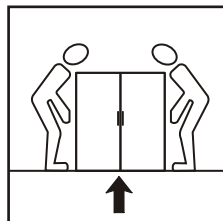
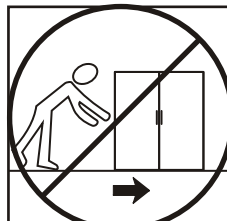
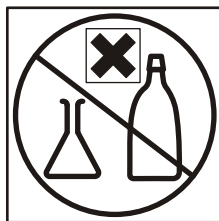
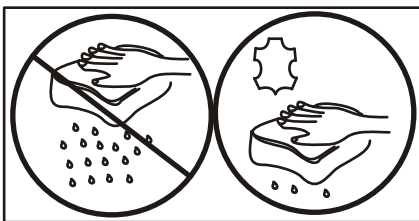
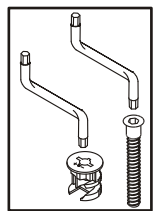
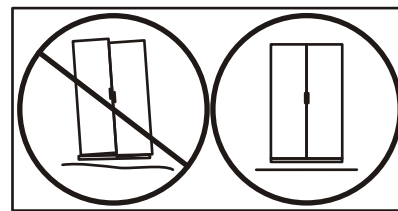
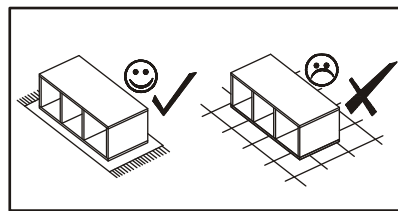
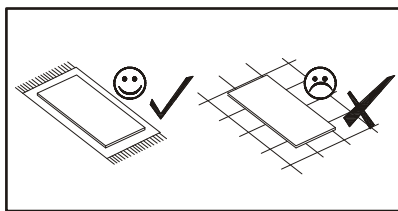
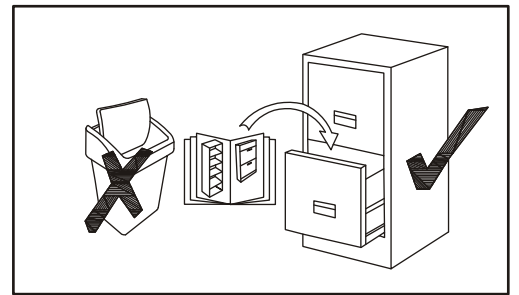
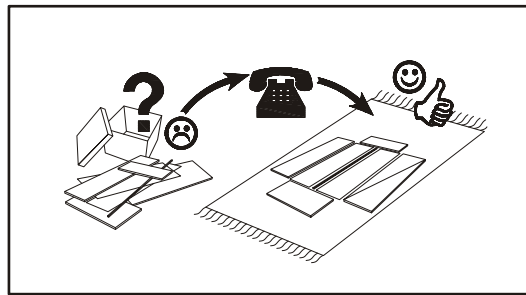
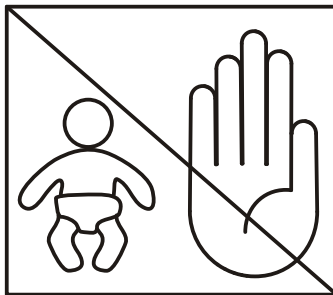
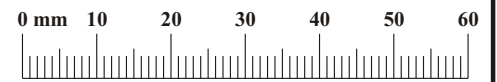


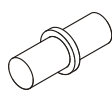

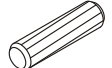
NO	Dim.			Col-No	Qty
1	602	376	16	1	1
2	602	376	16	1	1
3	1812	376	16	1	1
4	1812	376	16	1	1
5	568	356	16	1	1
6	568	346	16	1	1
7	567	346	5	1	2
9	596	732	16	1	1
10	596	1102	21	1	1
11	580	727	3	1	1
12	1097	580	3	1	1

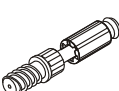
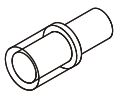


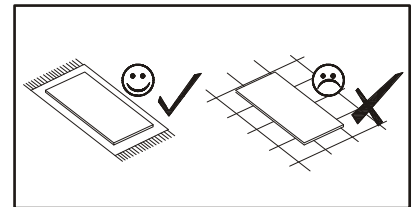
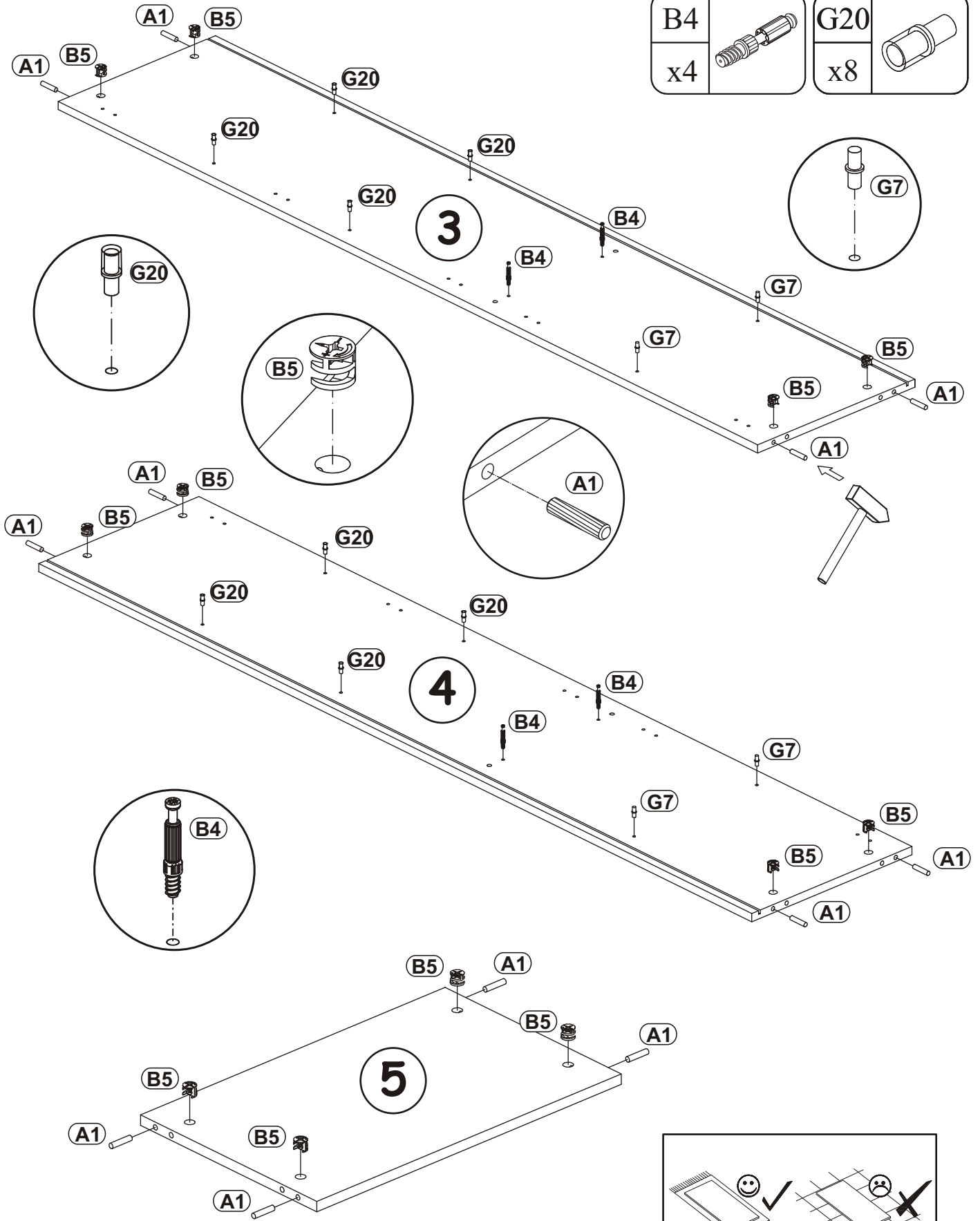
A1 x12 ø8x36	B4 x12	B5 x12 ø15x12	G5 x12	KR1 x1	L1 x1
S1 x16	E30 x3 H=0	E4 x3 H=2	E2 x2 H=0	E21 x2 Ø35 H=0	G20 x8
Z2 x10 ø5	ST6 x2	UP5 x16 UPØ4x16	G7 x4	LED x1 x2	G2 x1
T1 x2	G16 x4	UP13 x4 UPØ3x16	D10 x10 USØ3,5x13		

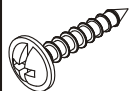


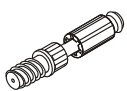
1

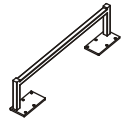
G7		B5		A1	
x4		x12	ø15x12	x12	ø8x36

B4		G20	
x4		x8	

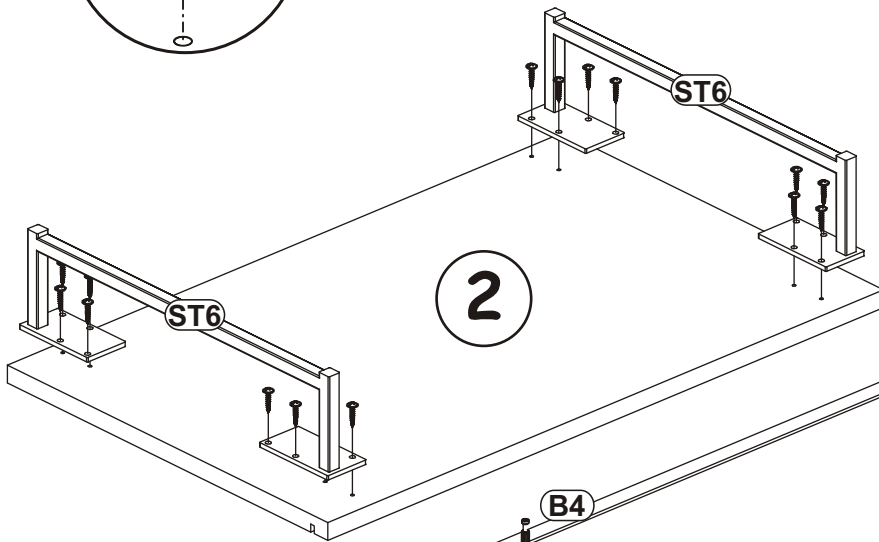
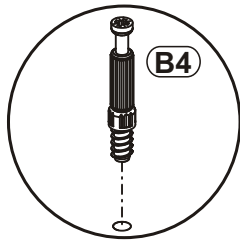
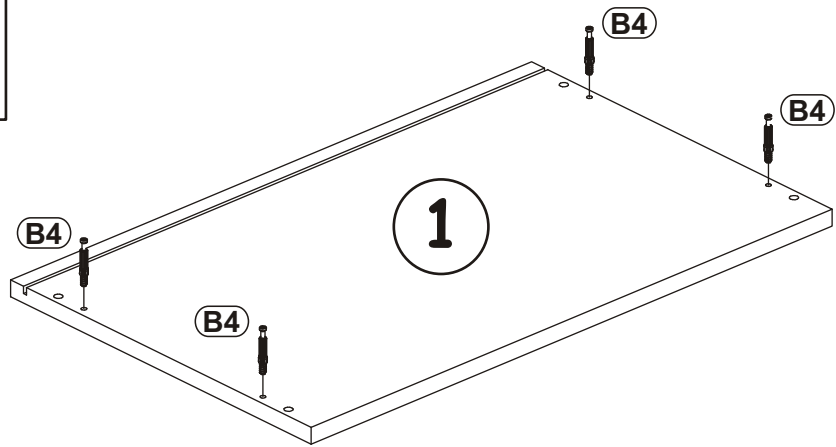
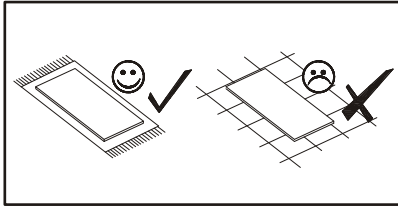


UP5	
x16	UPØ4x16

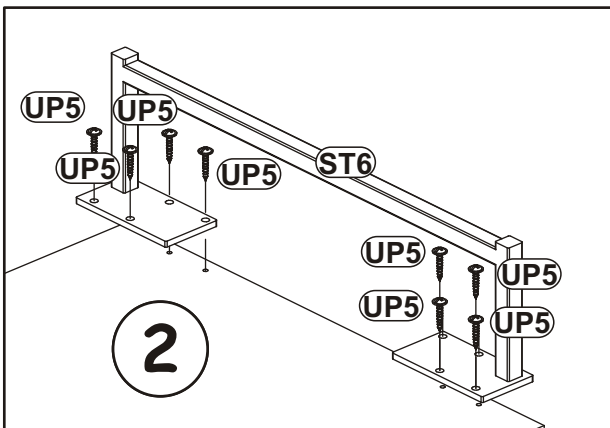
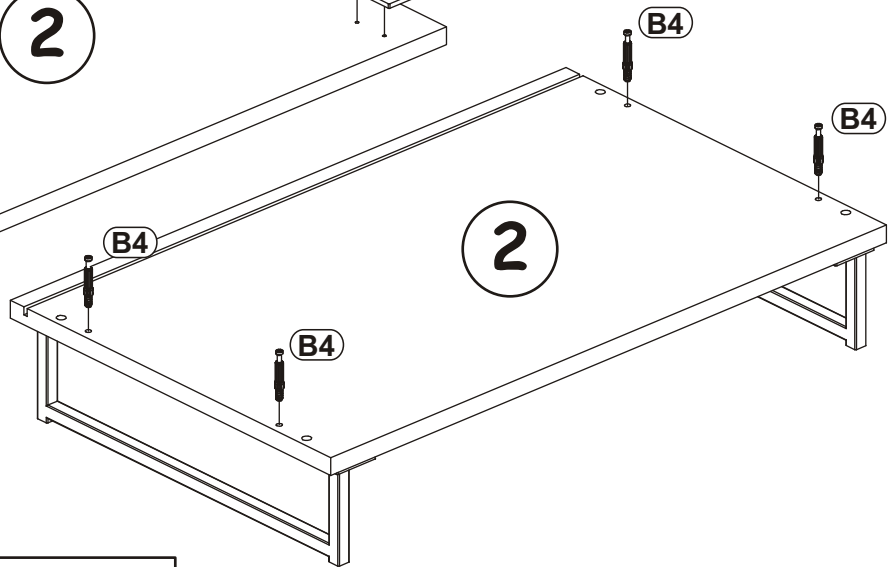
B4	
x8	


ST6	
x2	

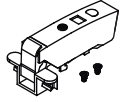
2

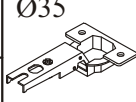


180°

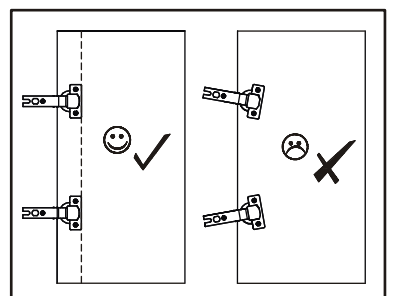
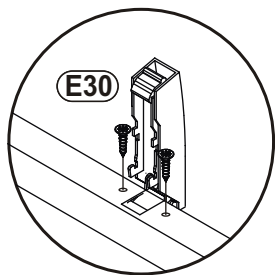
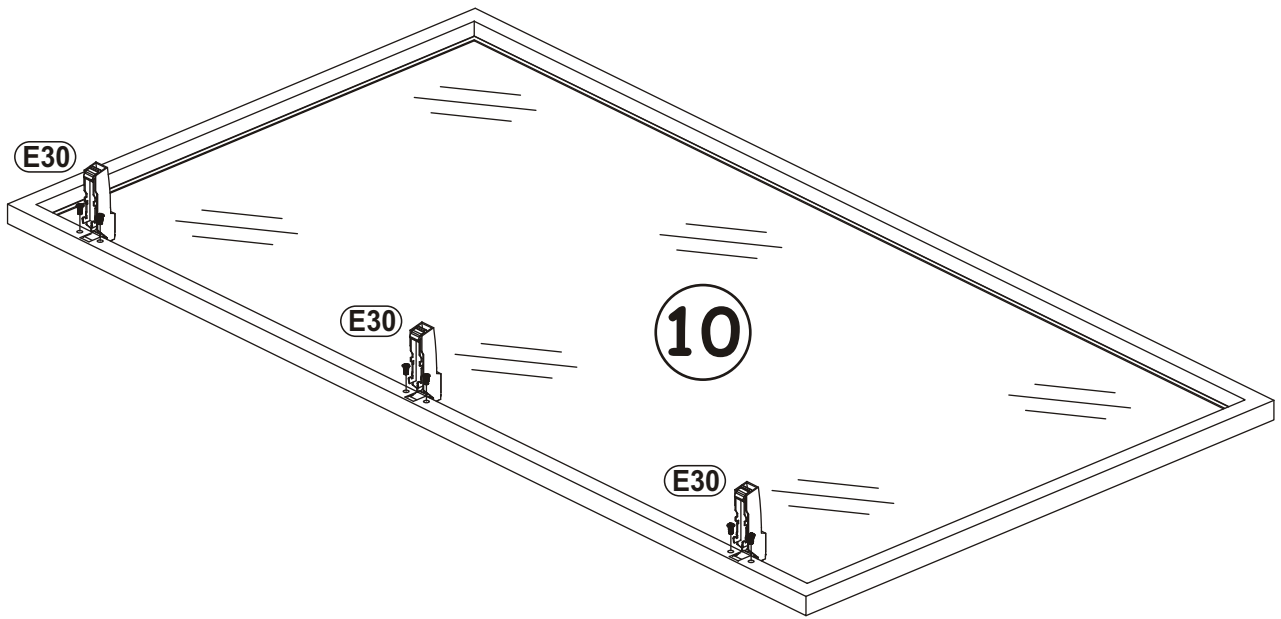
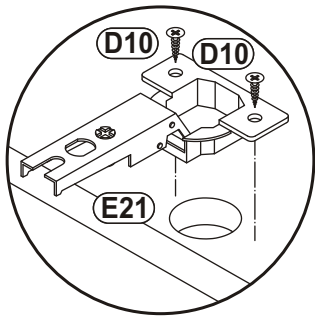
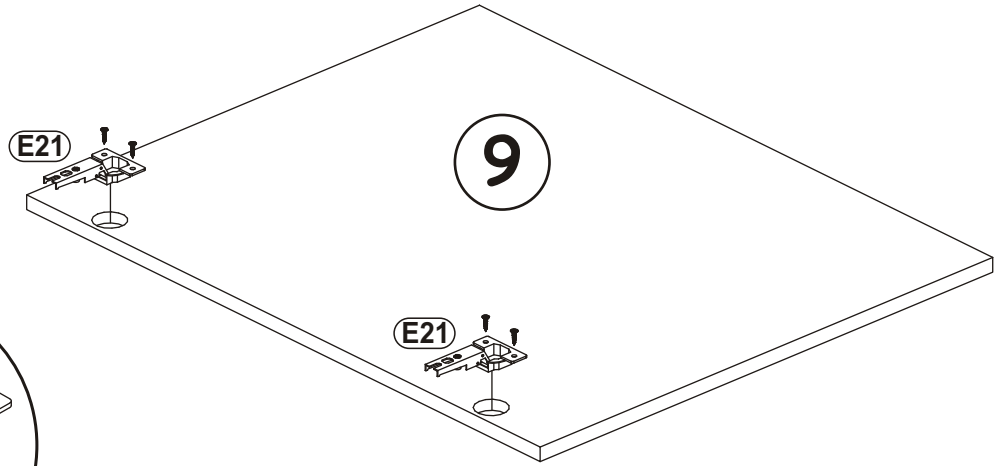
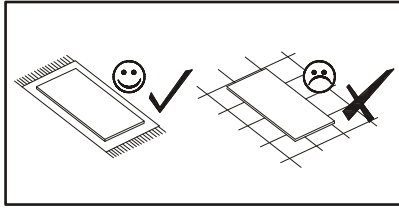



D10	
x4	USØ3,5x13

E30	
x3	H=0

E21	
x2	Ø35 H=0

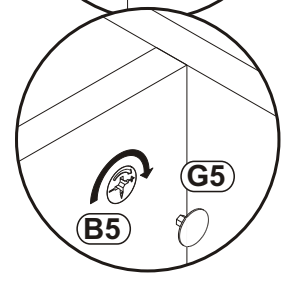
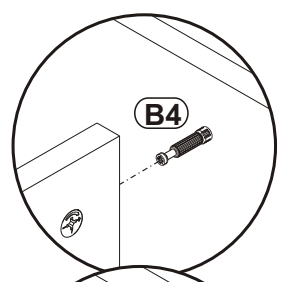
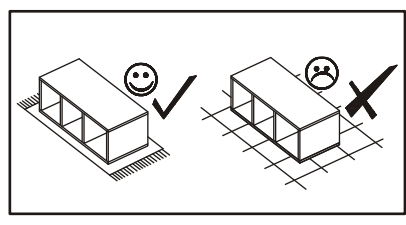
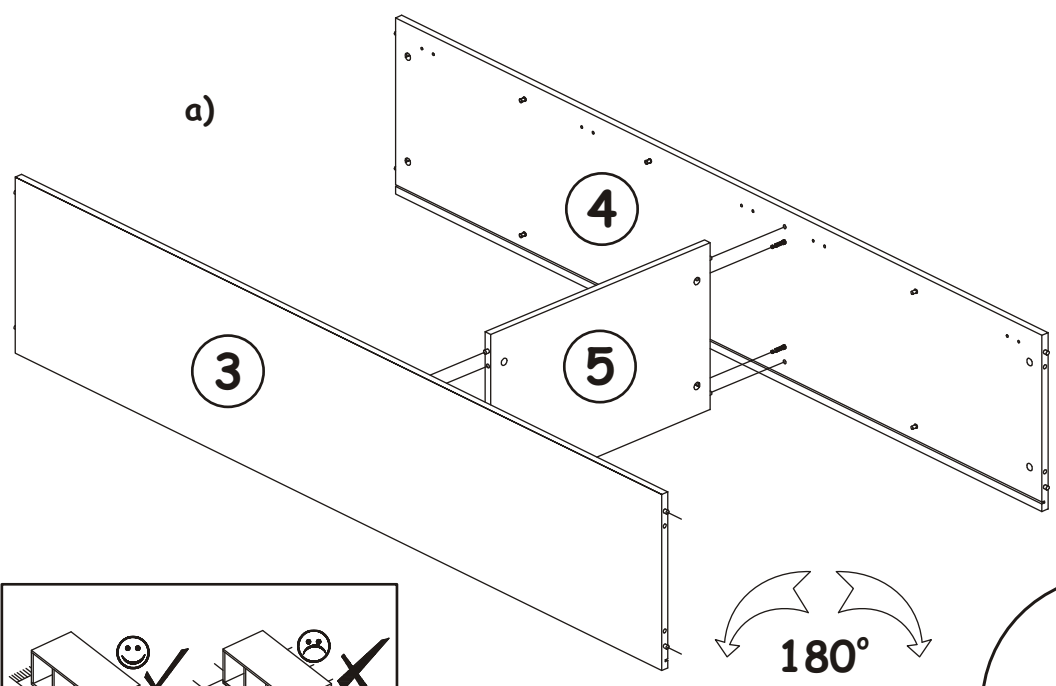
3



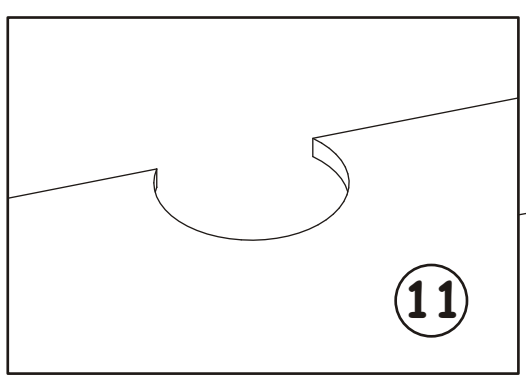
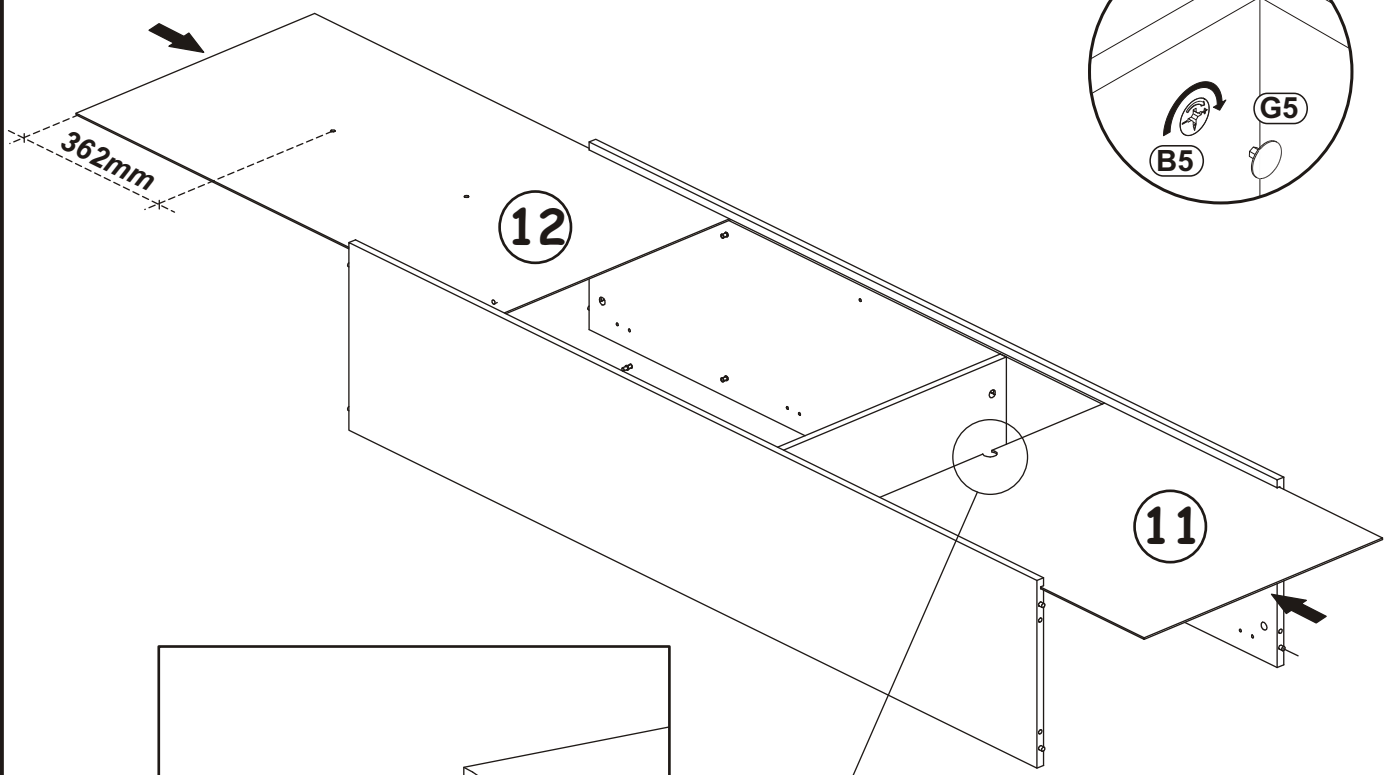
G5	
x4	

4


a)

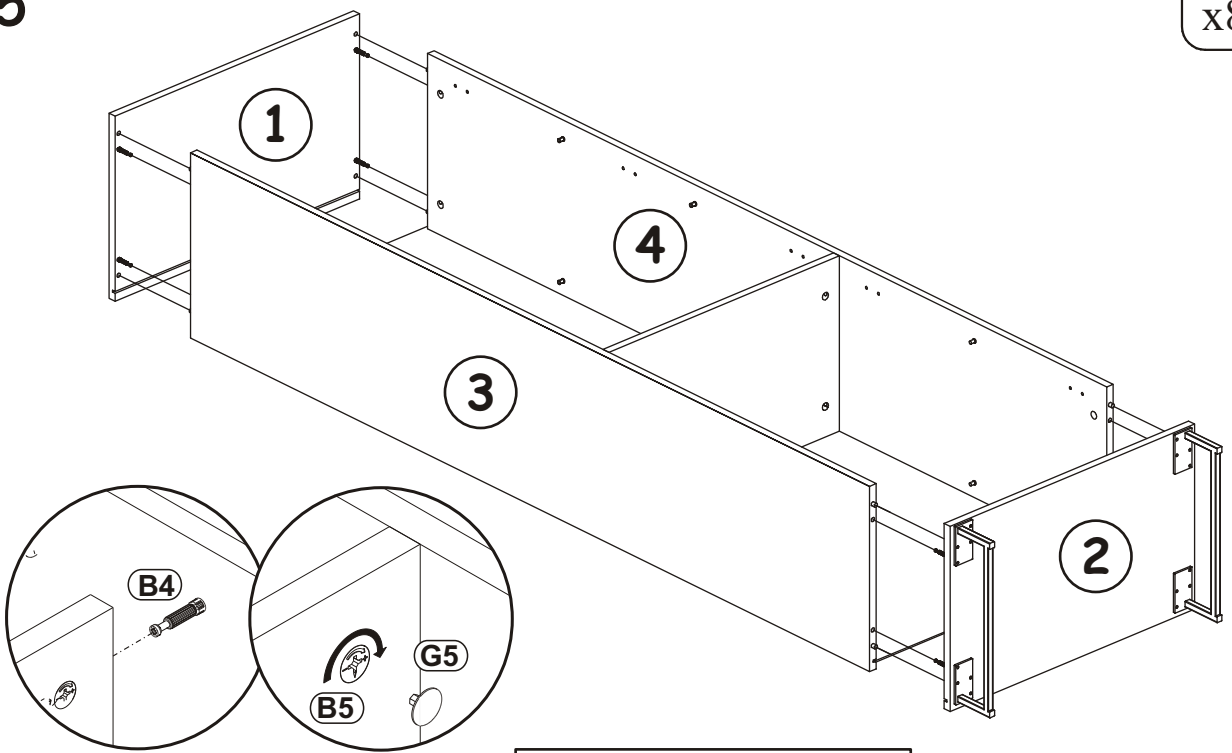


b)

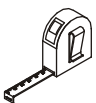


5

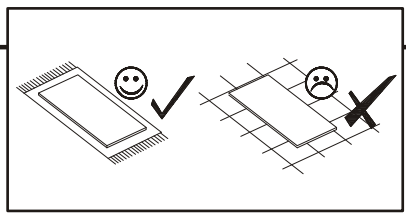
G5	
x8	

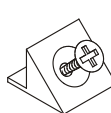


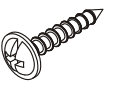
6

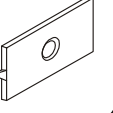


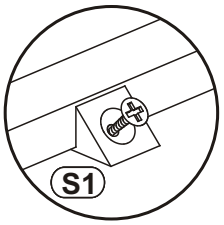
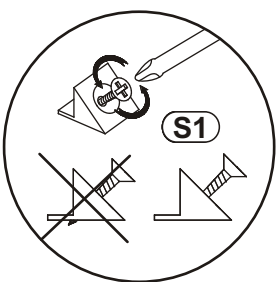
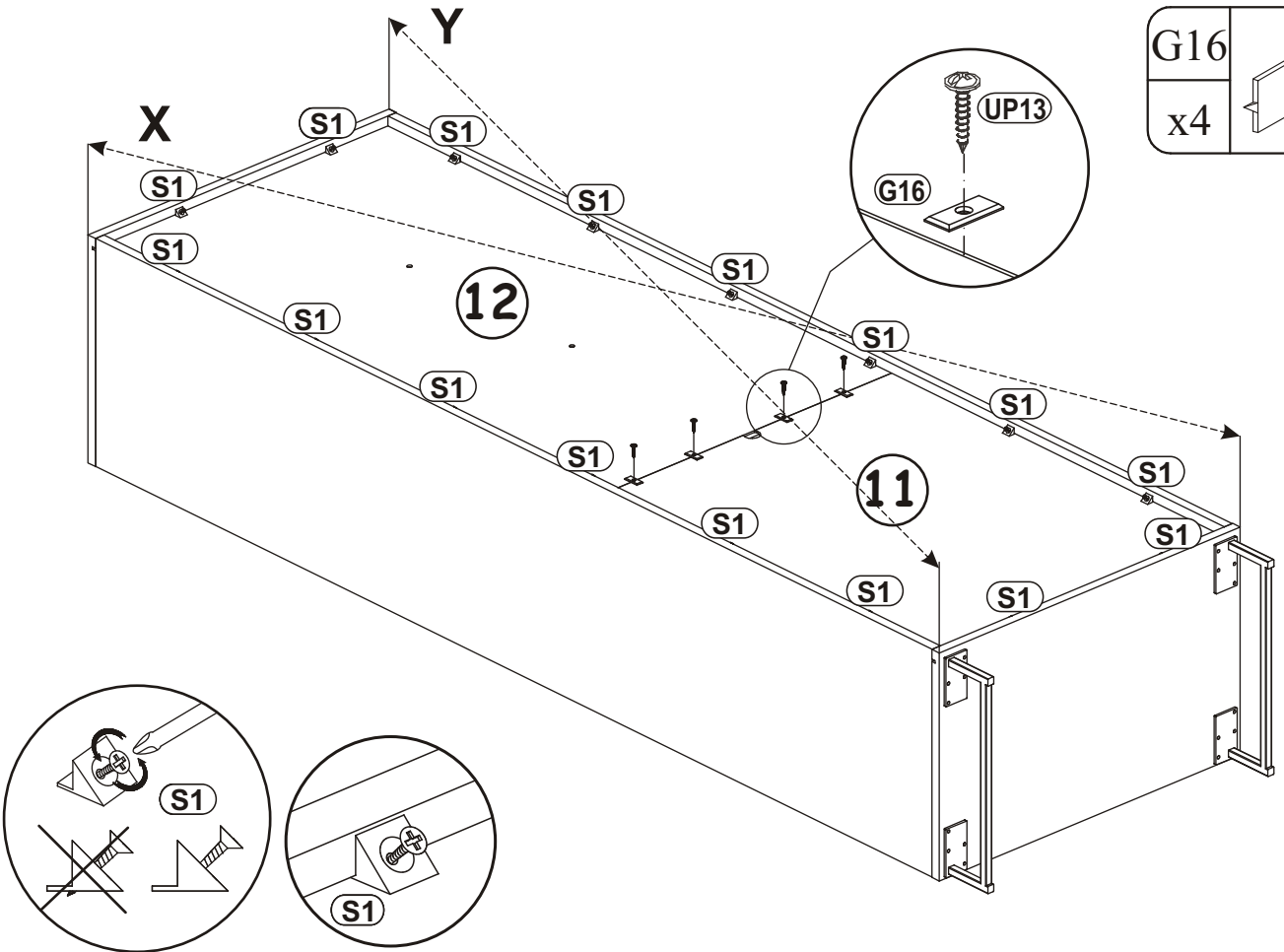
90°



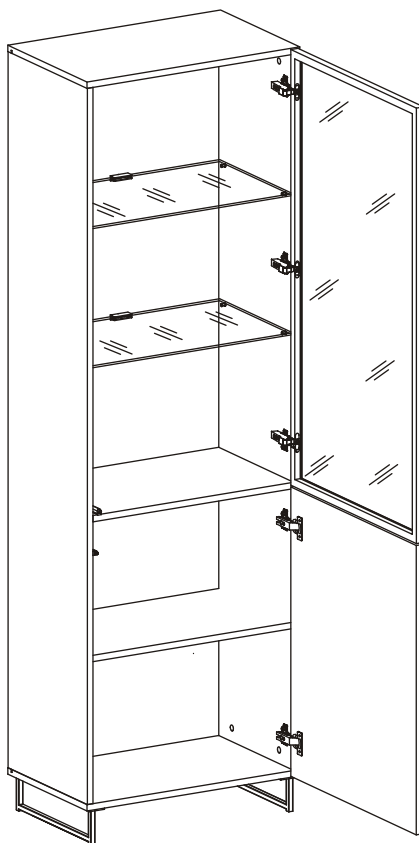
S1	
x16	

UP13	
x4	

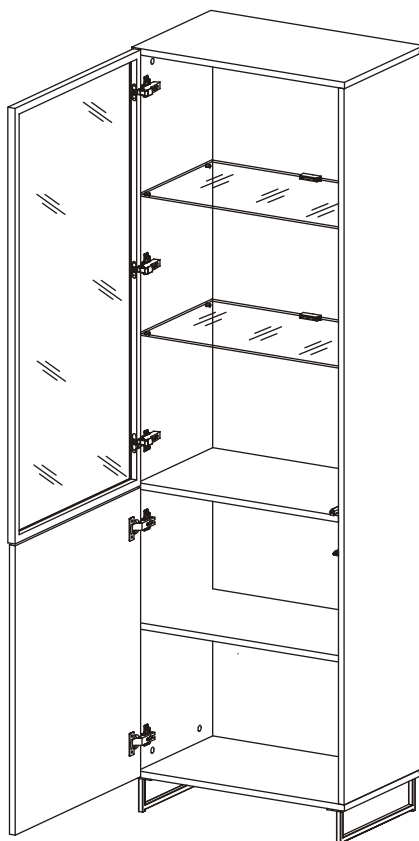
G16	
x4	



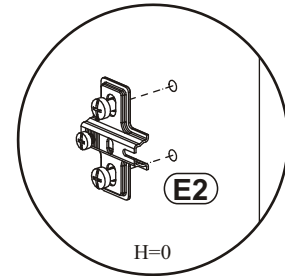
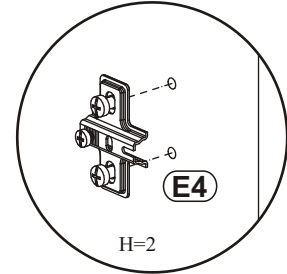
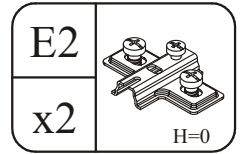
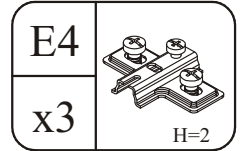
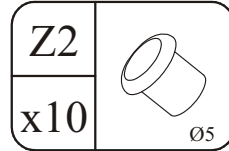
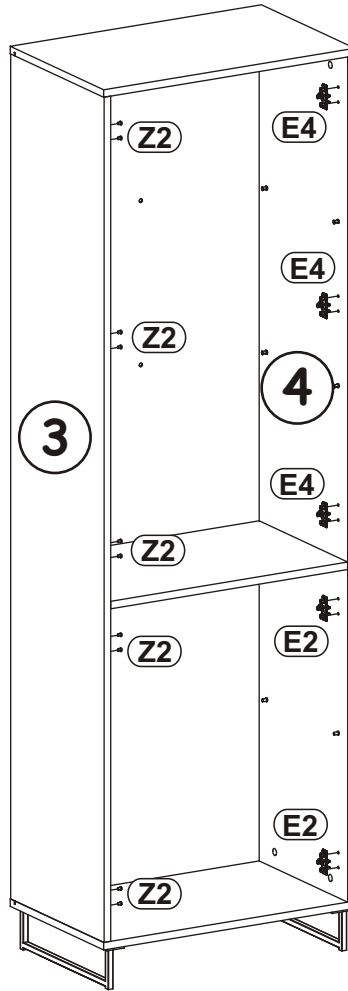
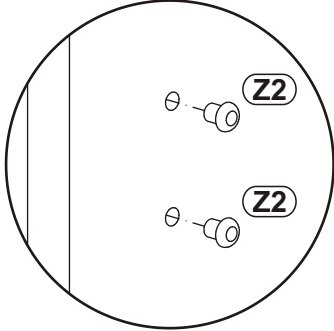
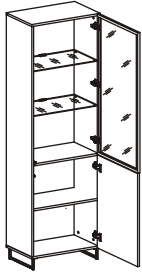
7 - 10



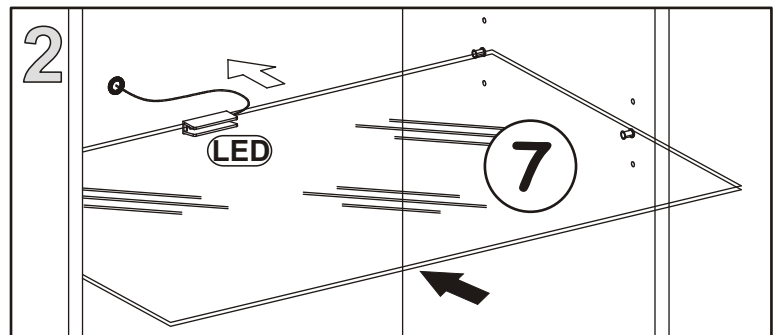
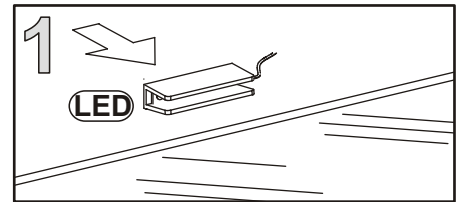
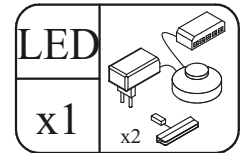
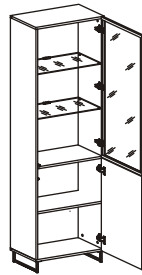
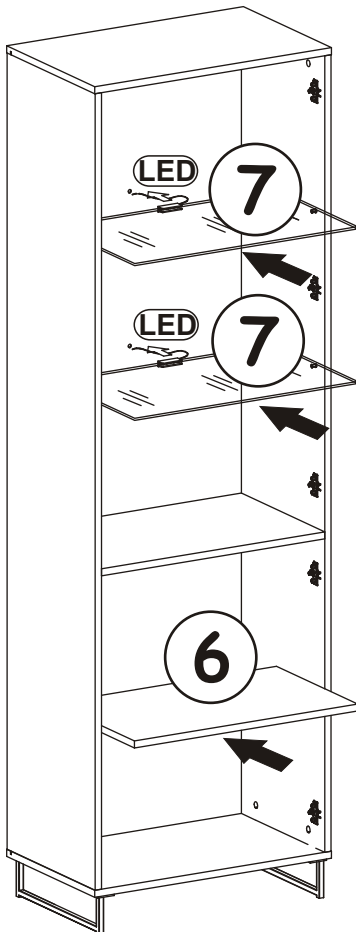
11 - 14



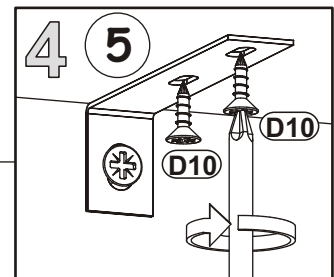
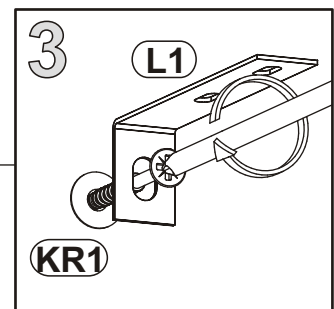
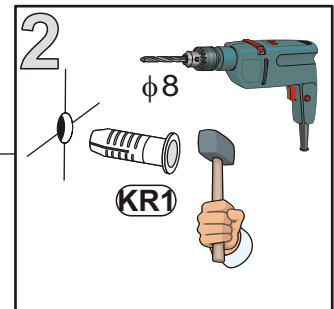
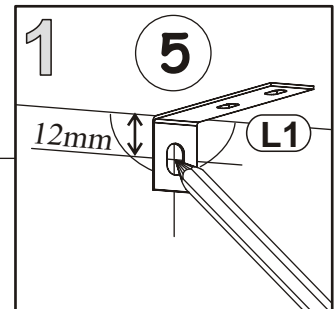
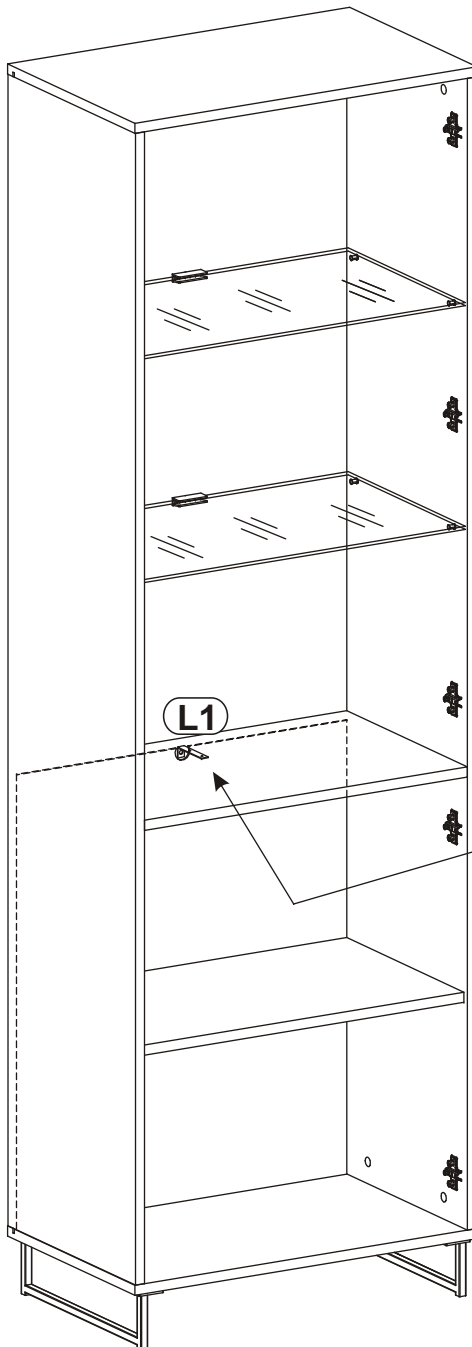
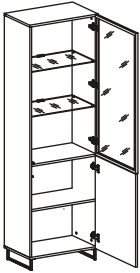
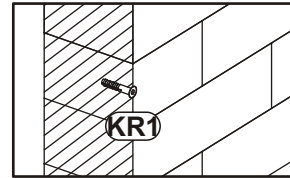
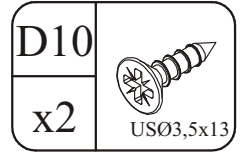
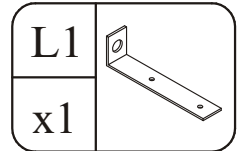
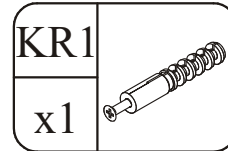
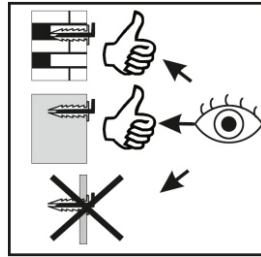
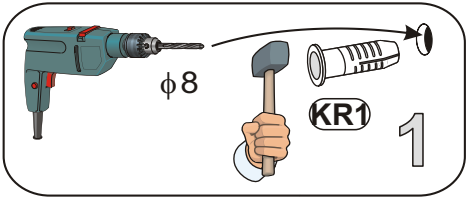
7




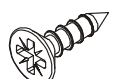
8

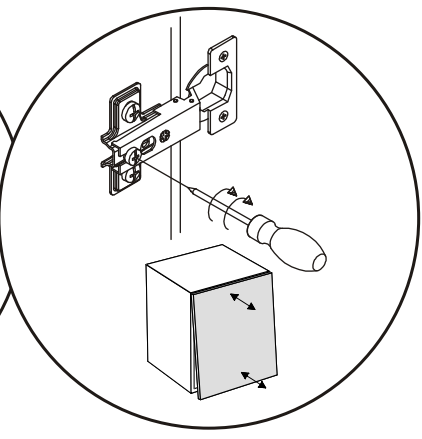
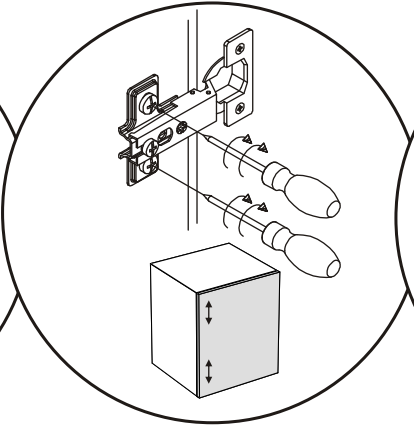
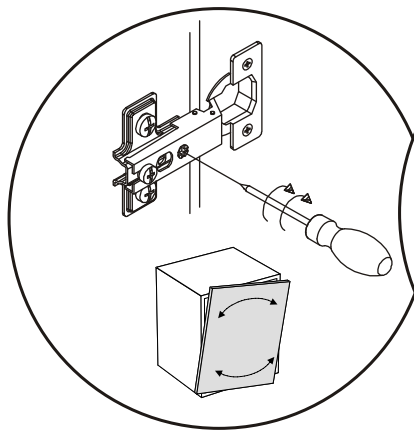
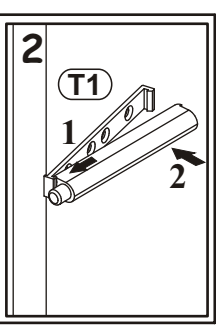
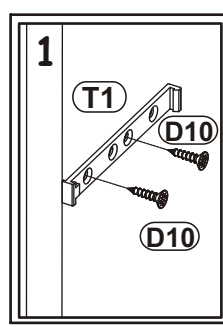
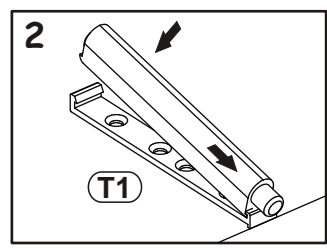
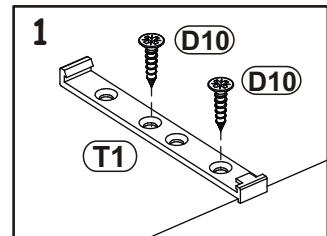
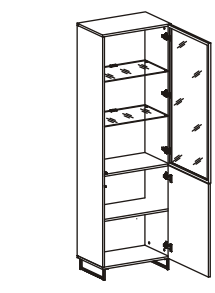
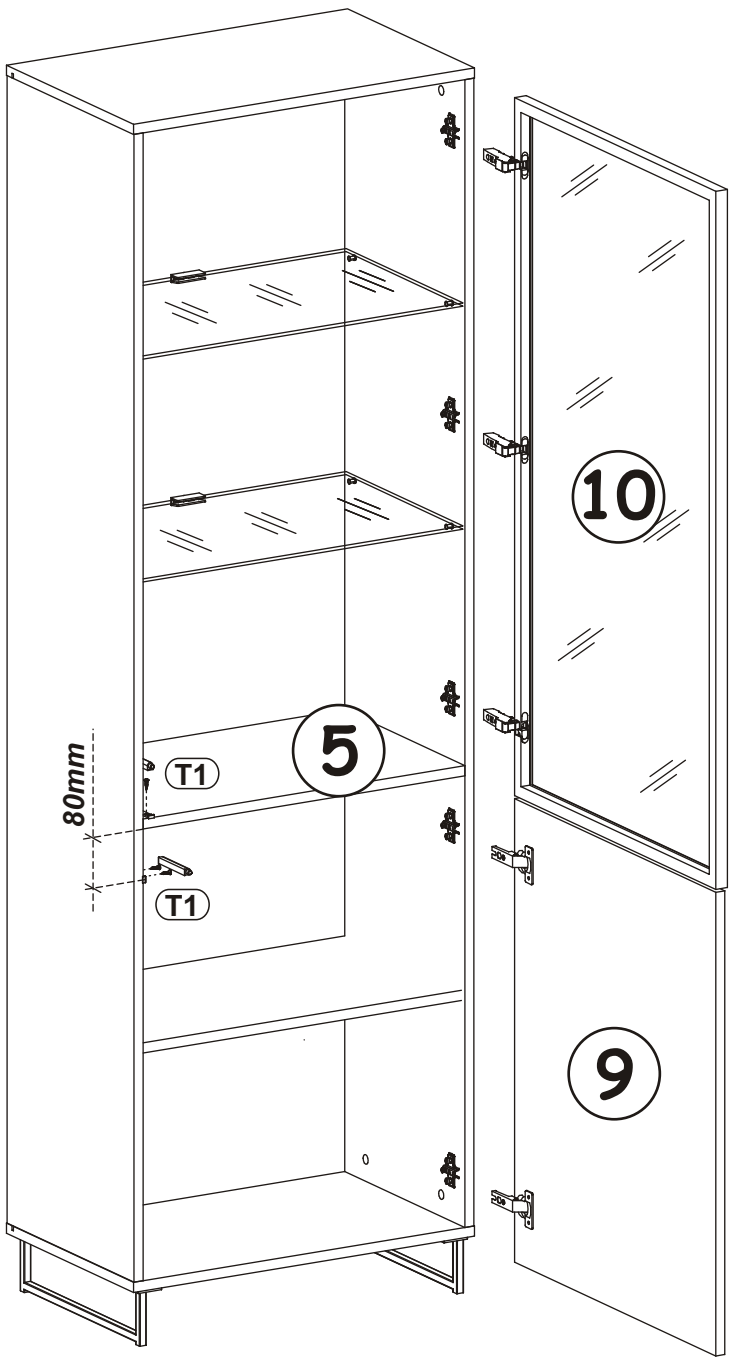


9

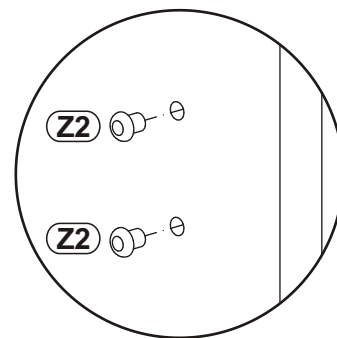
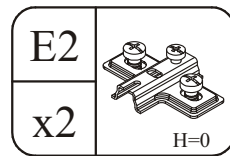
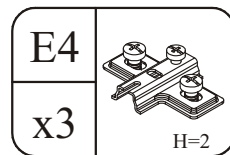
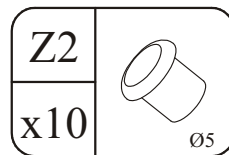
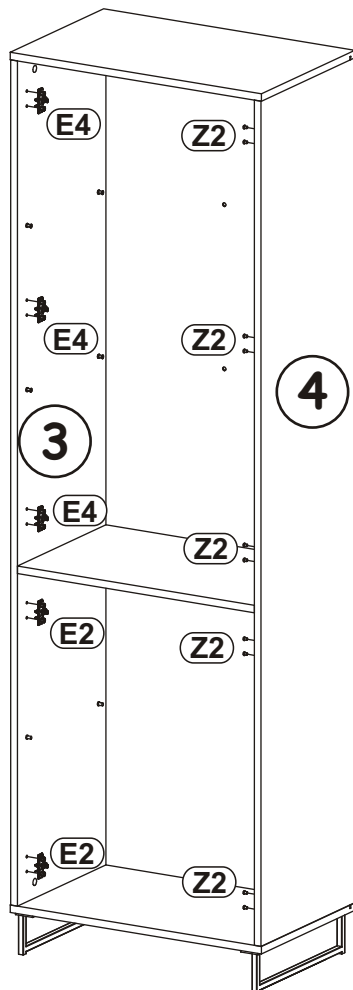
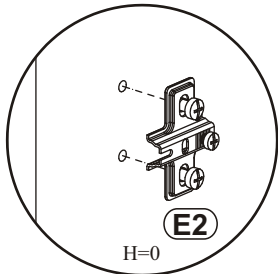
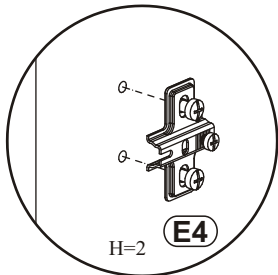


10

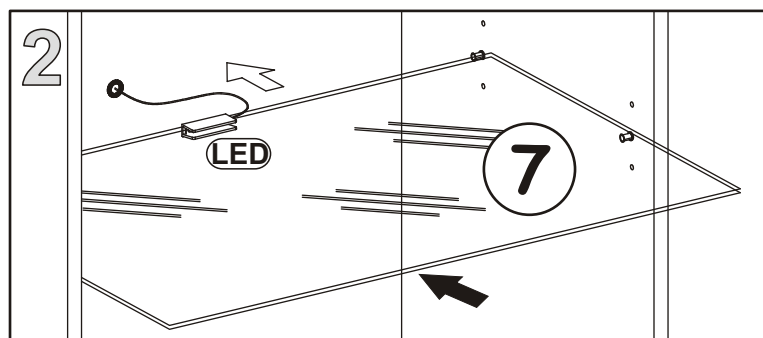
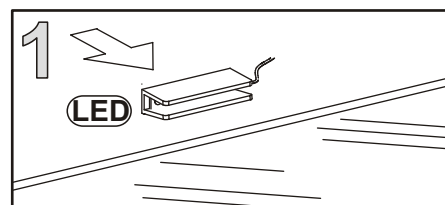
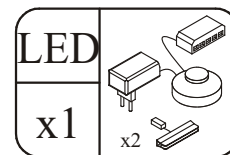
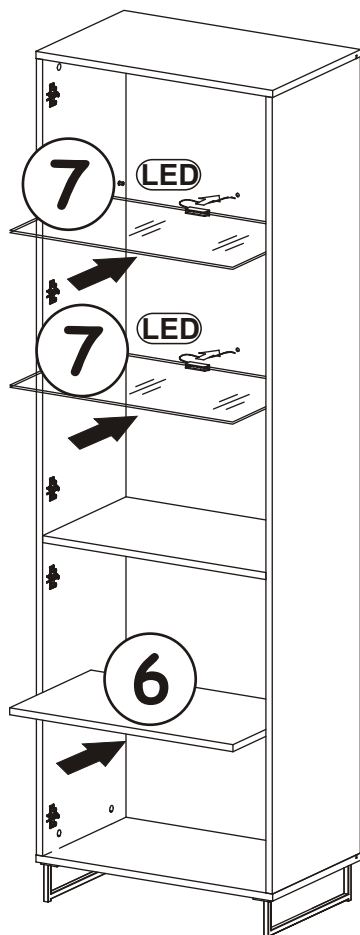
T1		D10	
x2		x4	USØ3,5x13



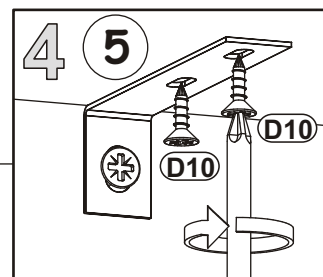
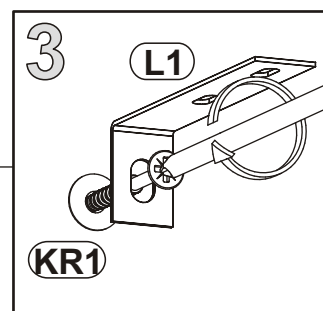
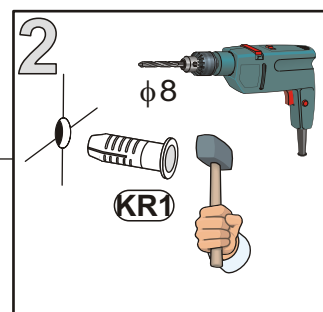
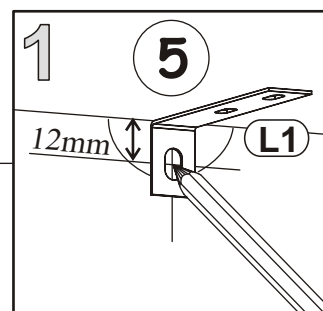
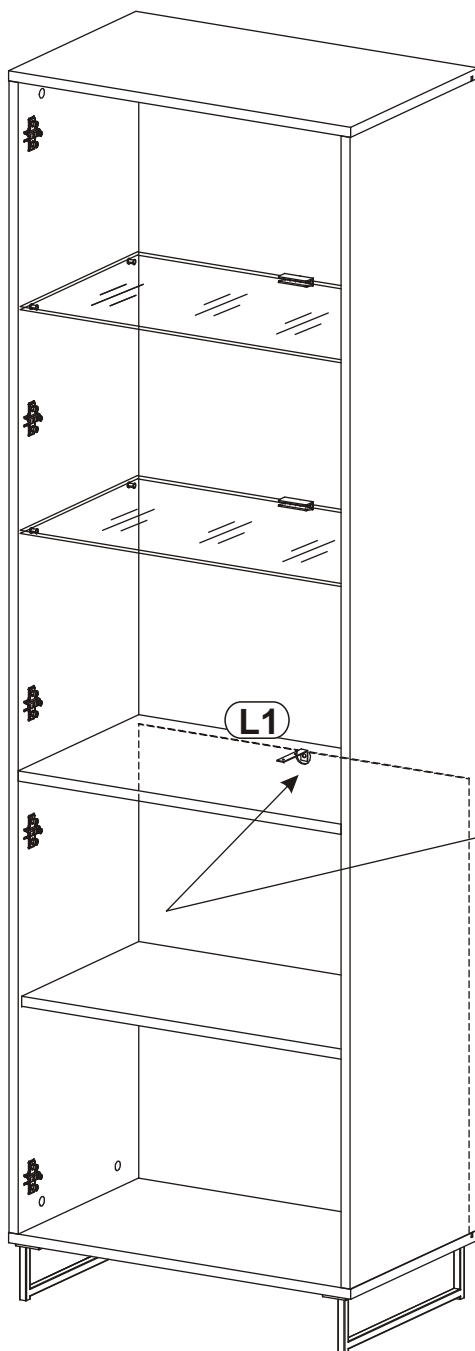
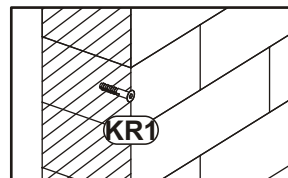
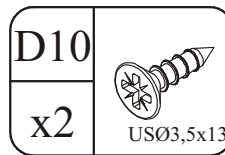
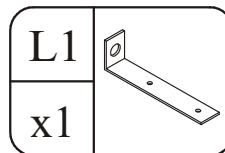
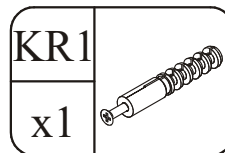
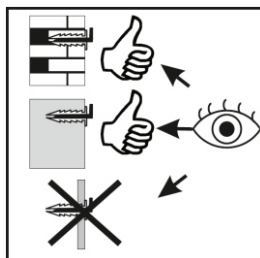
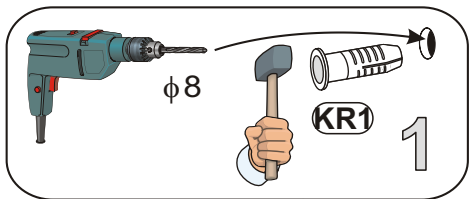
11



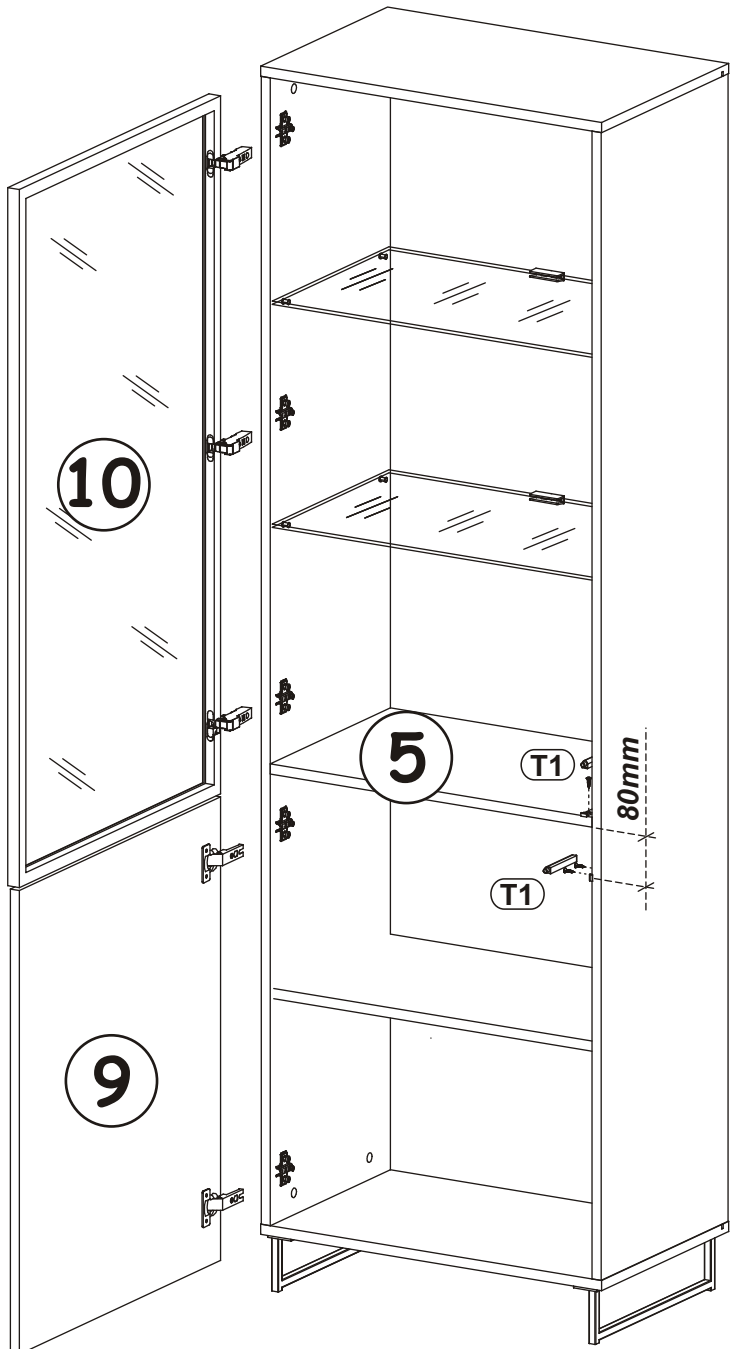
12



13



14



T1		D10	
x2		x4	USØ3,5x13

