
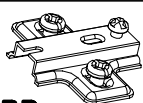
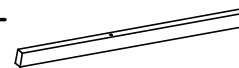
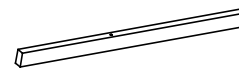
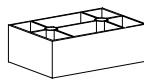


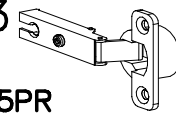
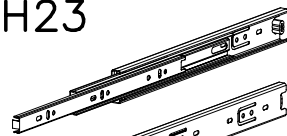


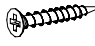
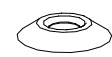


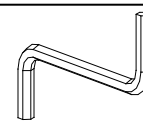
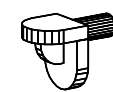

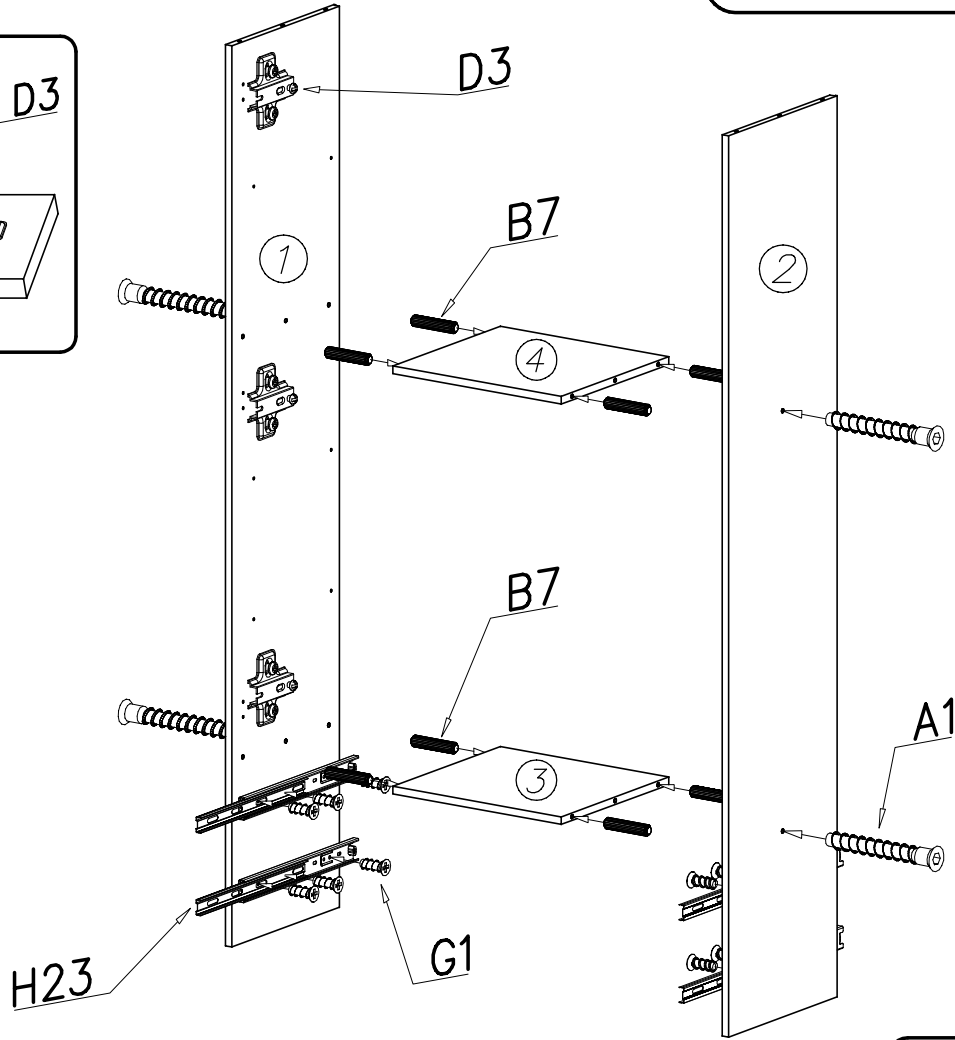
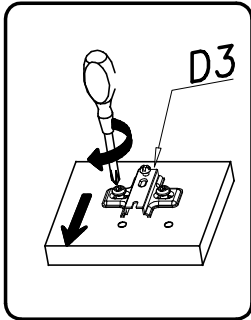
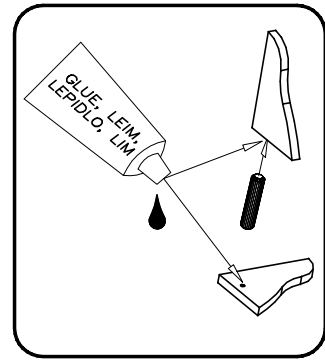
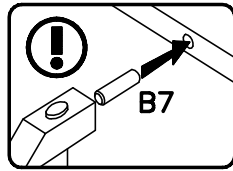
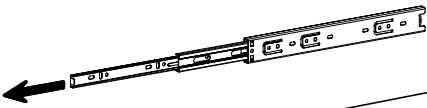


	B2  ø6x30 x7	D3  PZ35PR x3	E4  520mm x1	E1  198mm x2
P2  x4	W1  GLUE, LEIM, LEPIDLO, LIM x2	G8  4x30 x4	C3  Z35PR x3	H23  350mm x2
G12  3,5x25 x8	G4  4x16 x6	G2  3x20 x45	S2  x3	
A1  ø7x50 x8	B7  ø8x30 x32	W2  x1	F1  x12	G1  4x13 x20

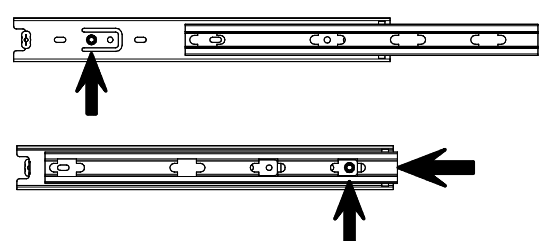
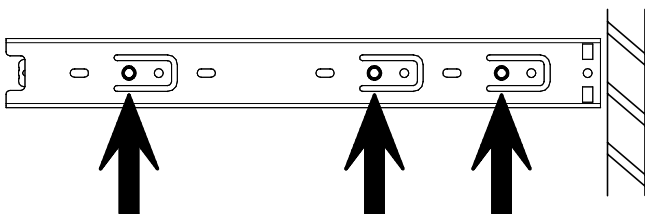
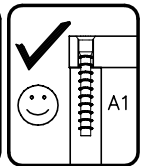
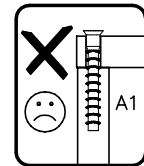
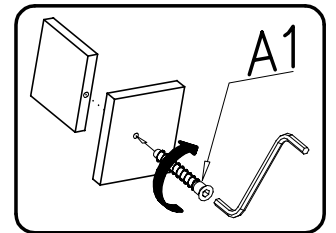
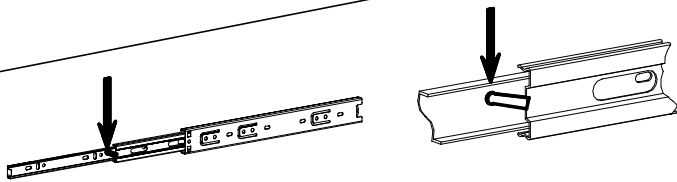
I



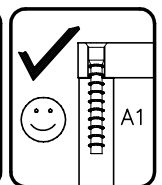
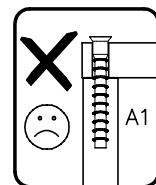
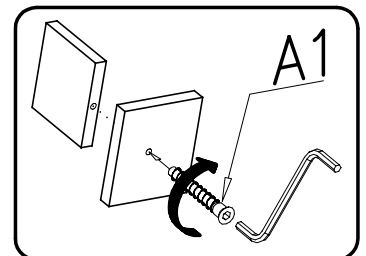
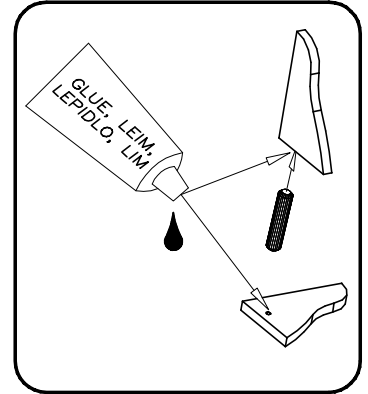
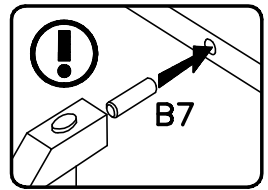
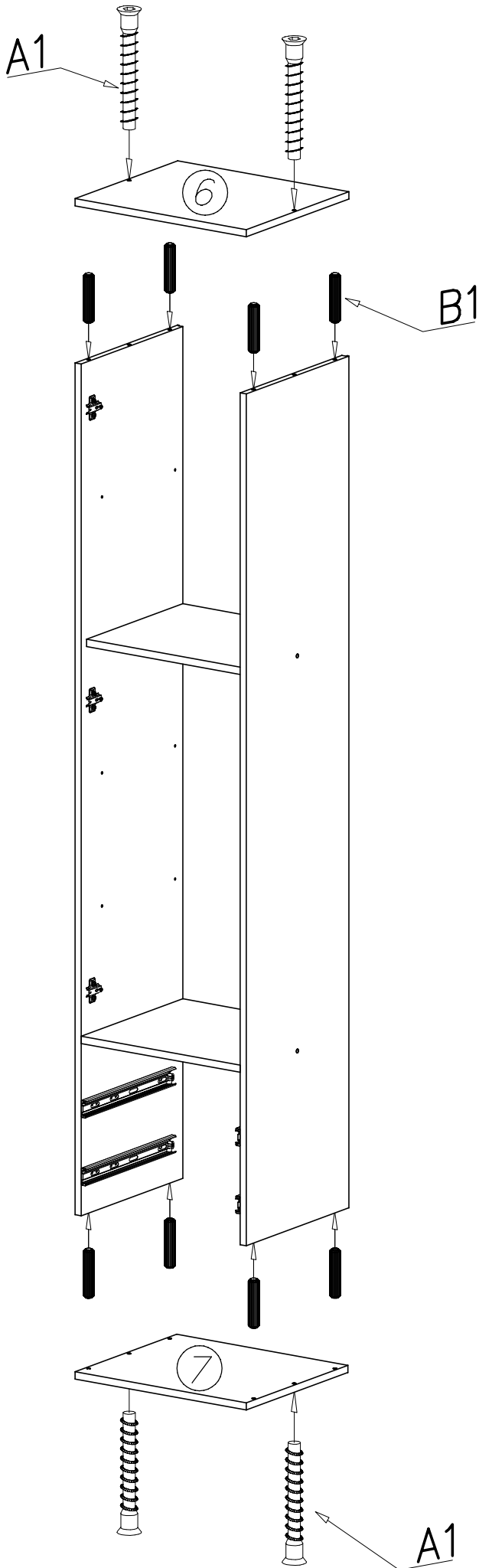
A

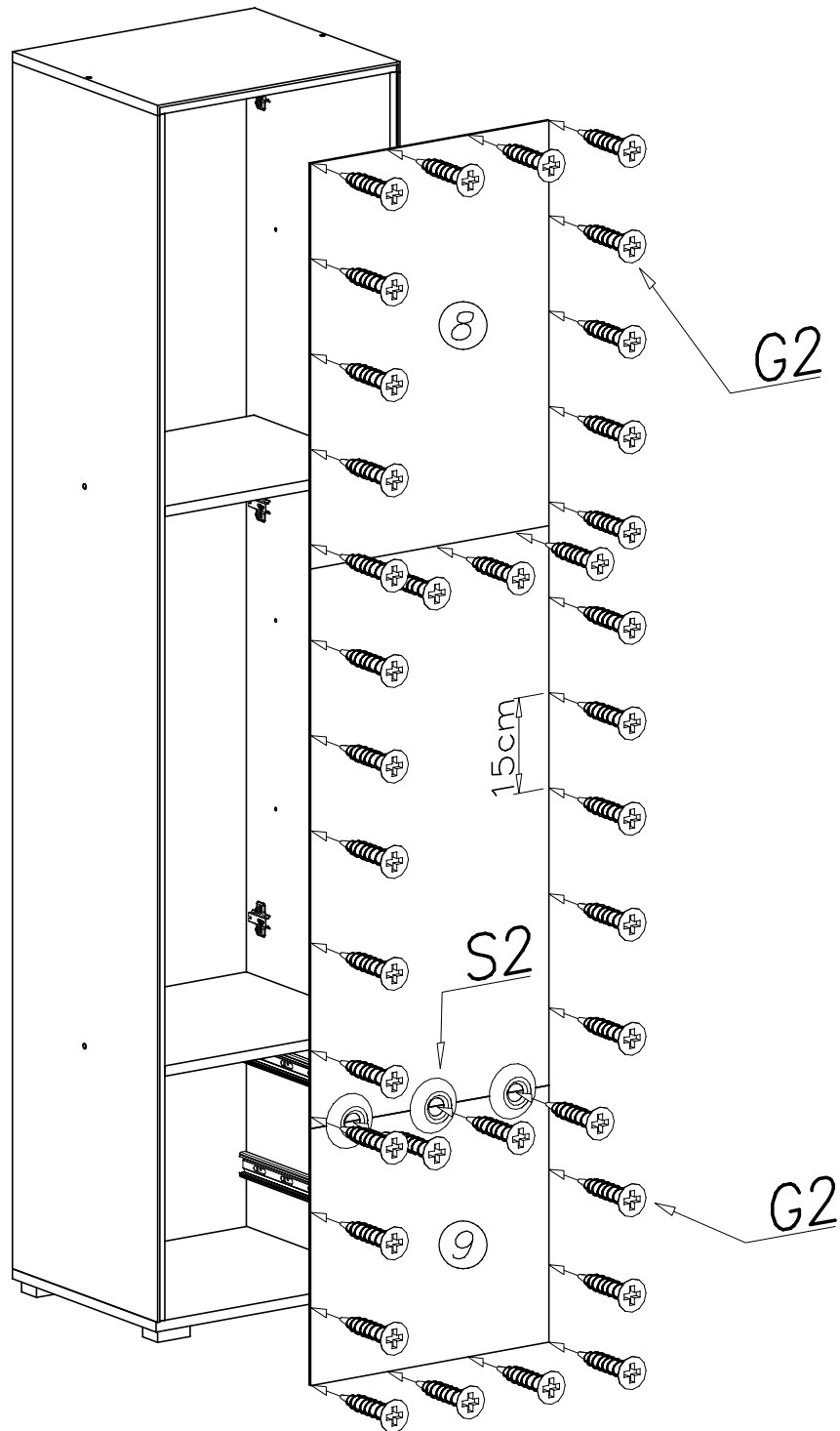
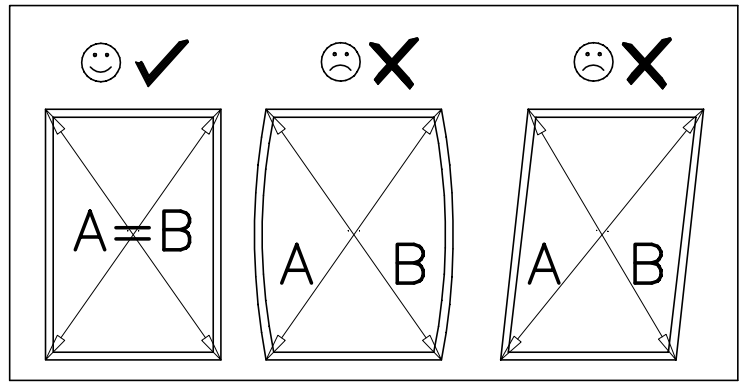


B

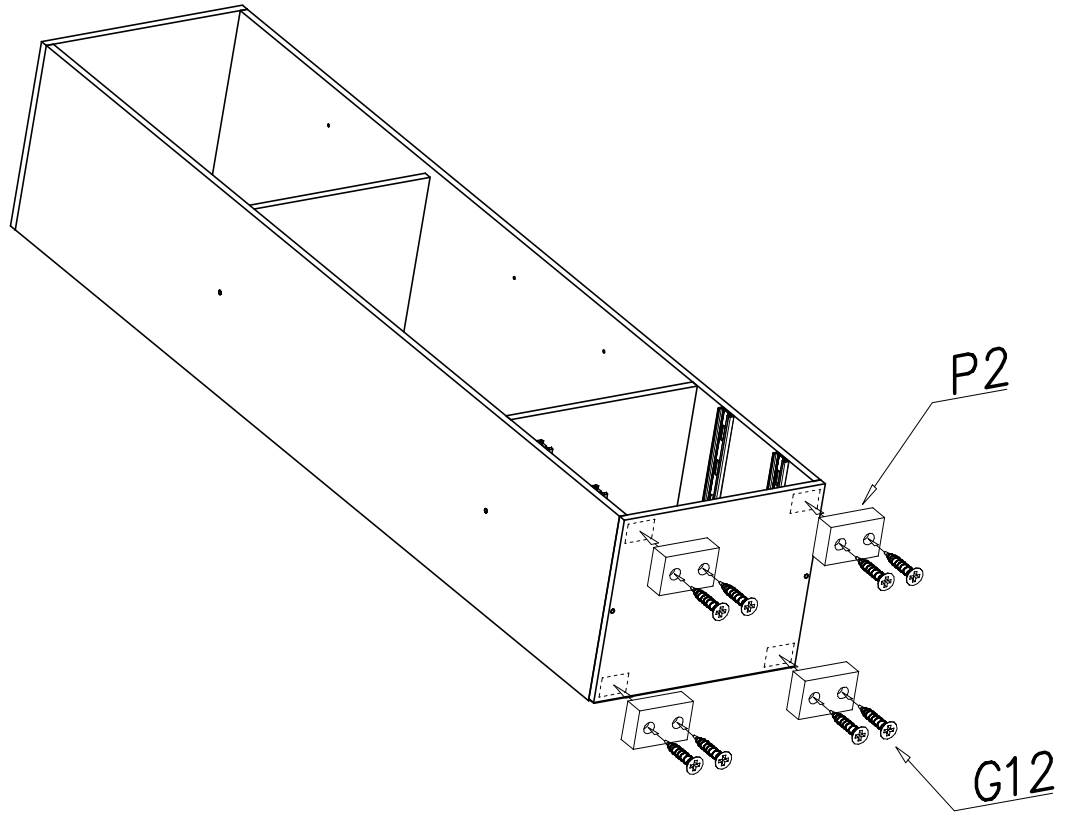


II

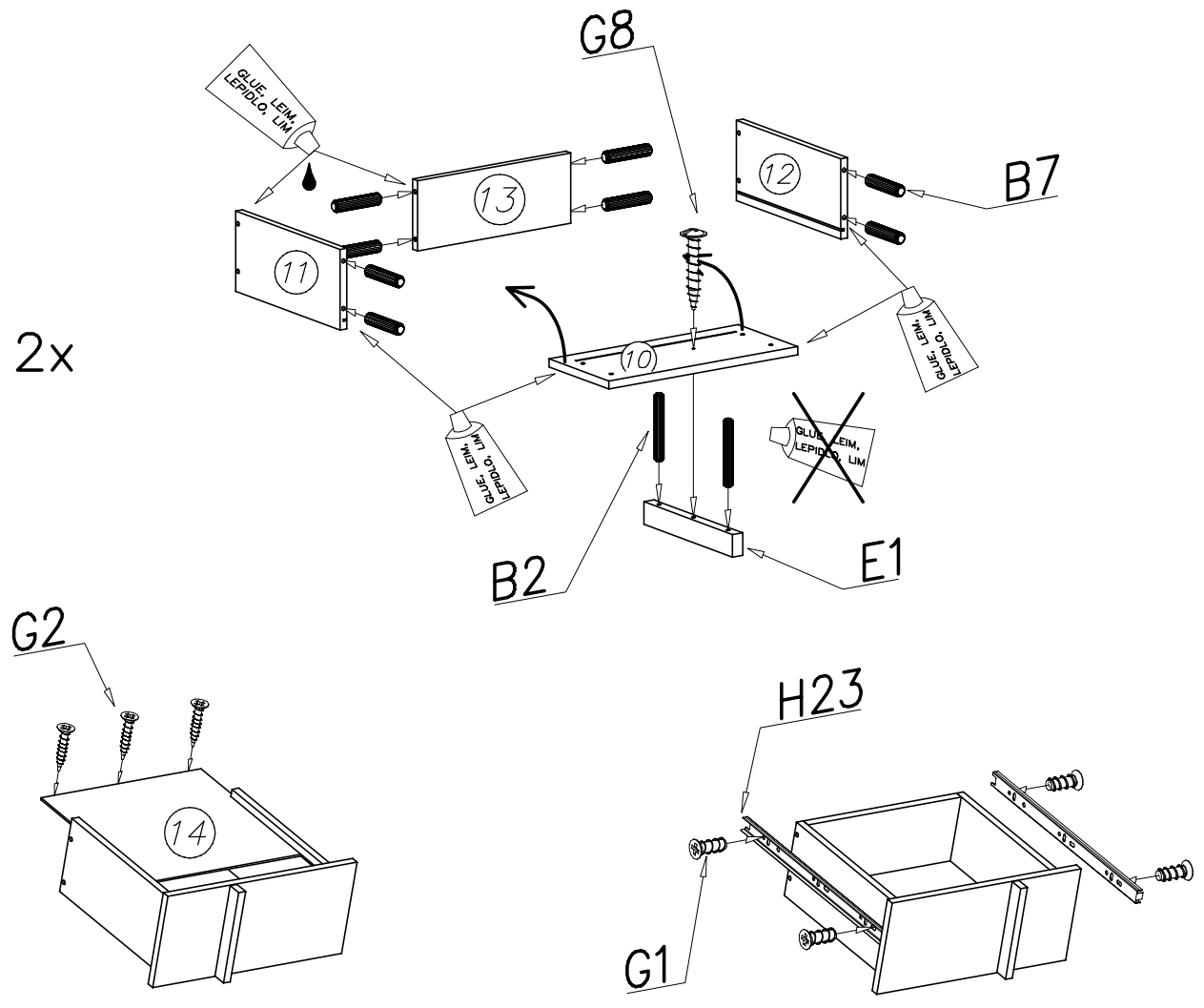




IV



V



VI

