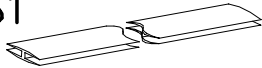
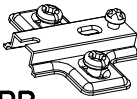
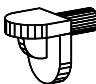

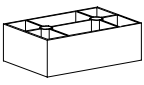


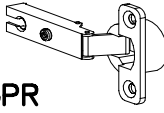
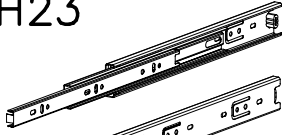


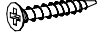



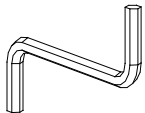
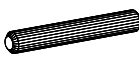

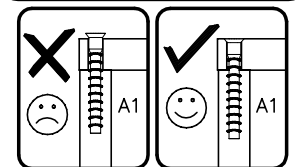
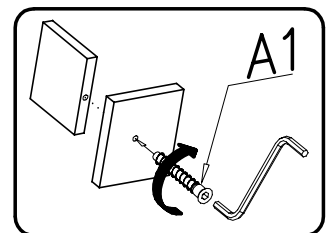
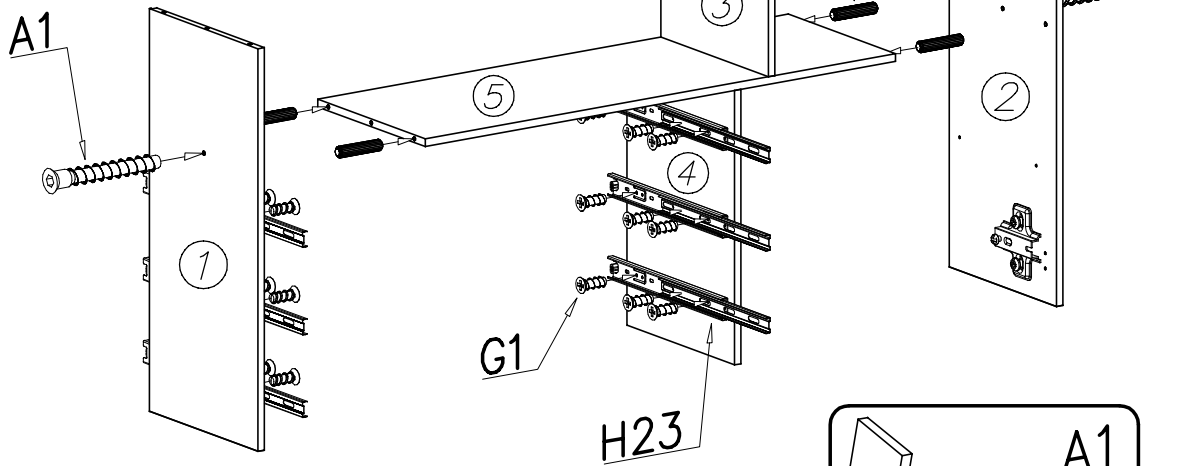
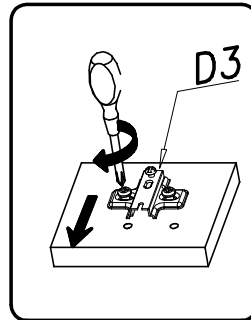
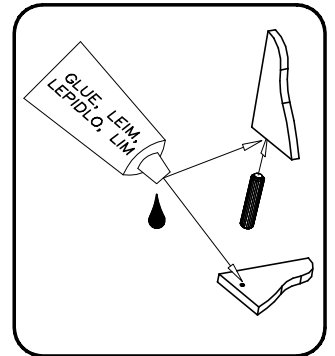
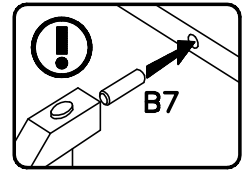
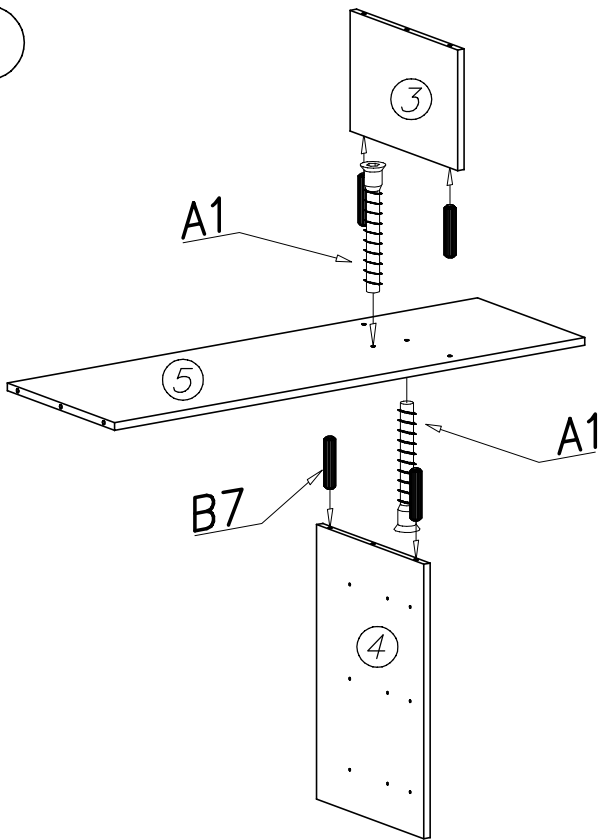
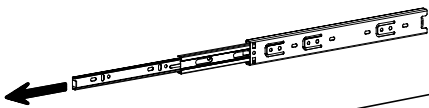


	S1  576mm x1	D3  PZ35PR x2	F1  x4	E1  198mm x3
P2  x5	W1  GLUE, LEIM, LEPIDLO, LIM x3	G8  4x30 x3	C3  Z35PR x2	H23  350mm x3
G12  3,5x25 x10	G4  4x16 x4	G2  3x20 x55	S2  x12	
A1  ø7x50 x7	B7  ø8x30 x47	W2  x1	B2  ø6x30 x6	G1  4x13 x30

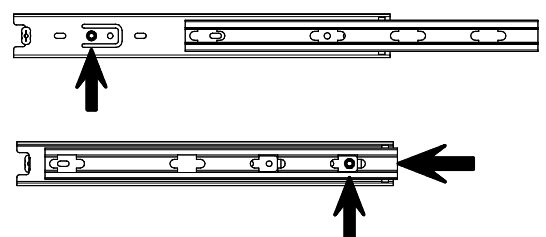
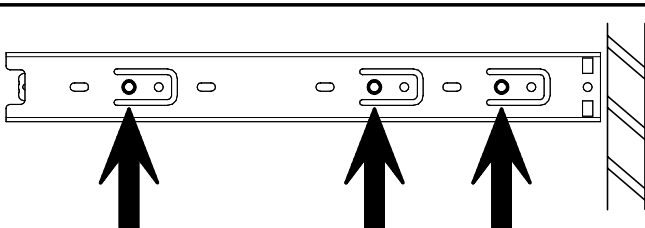
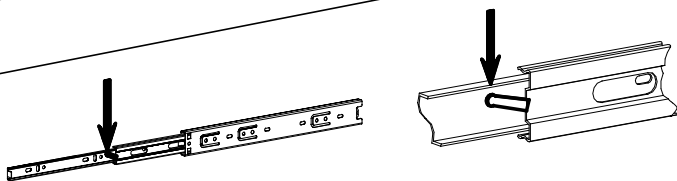
1

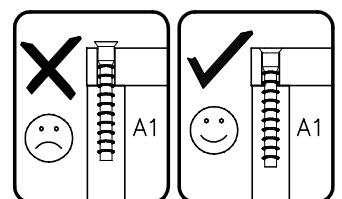
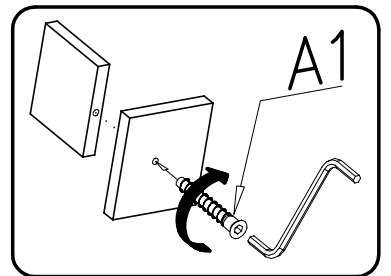
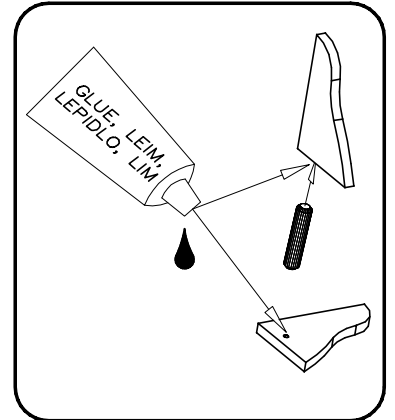
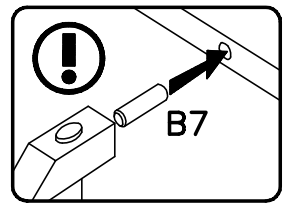
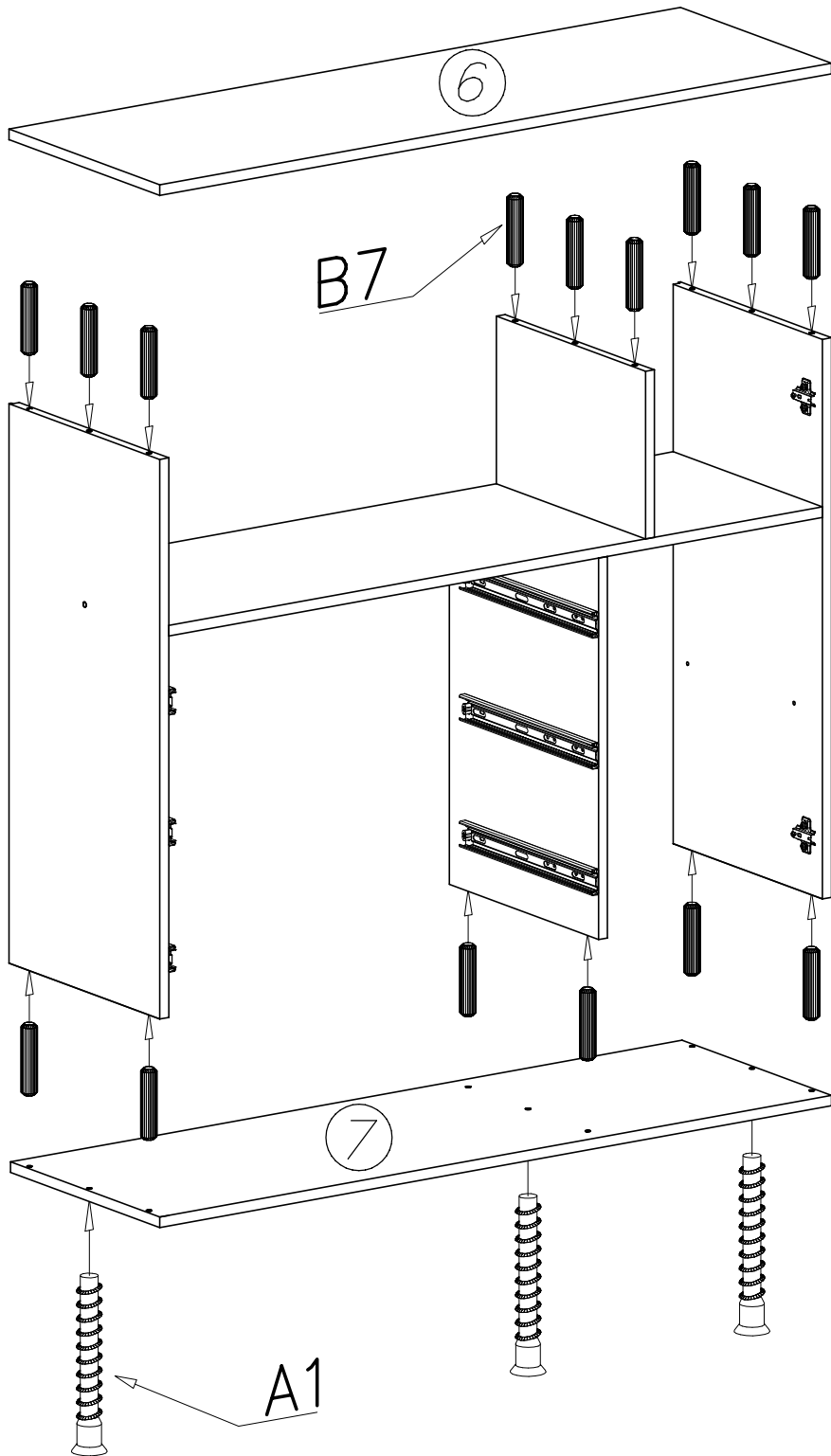


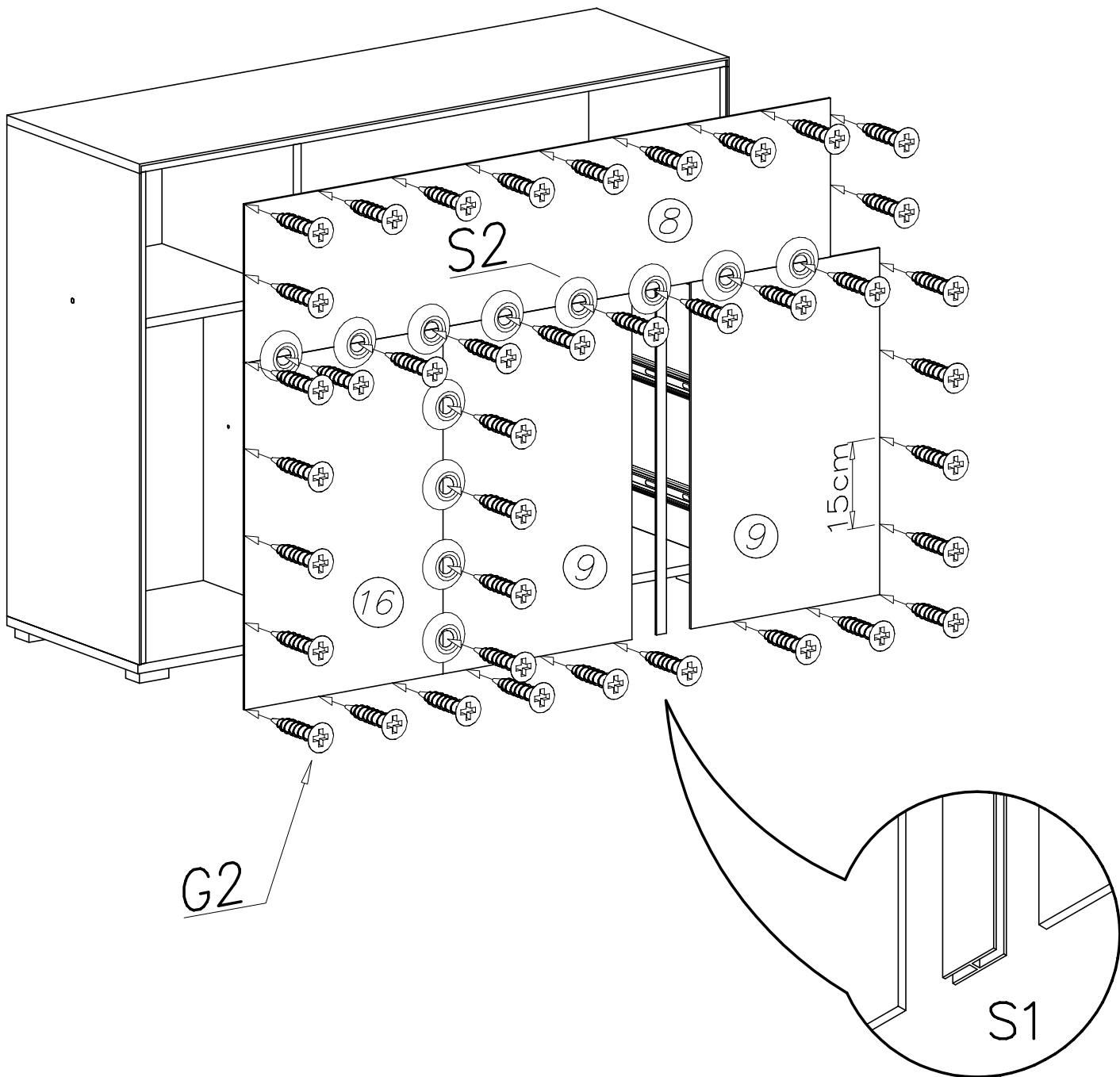
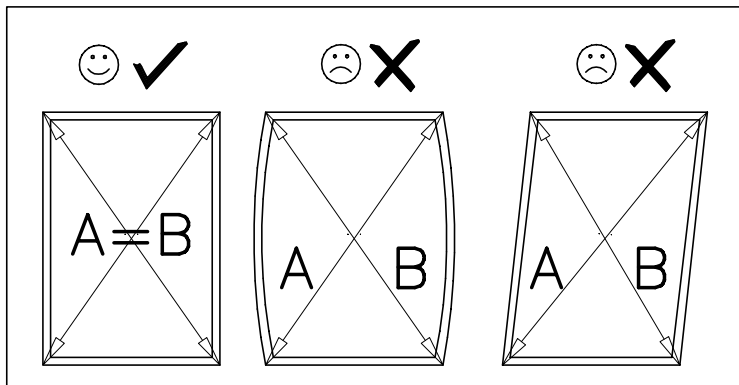
A



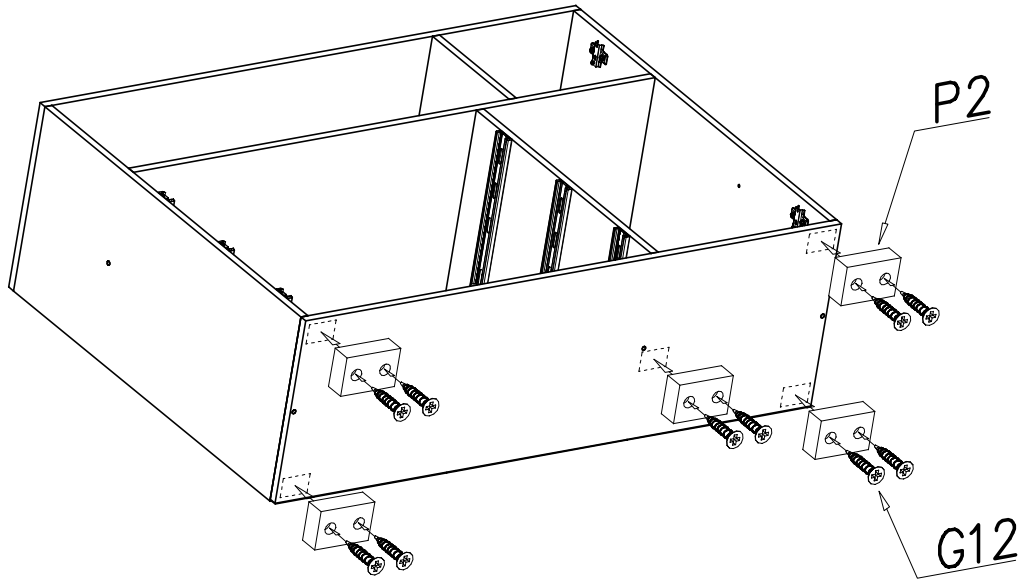
B



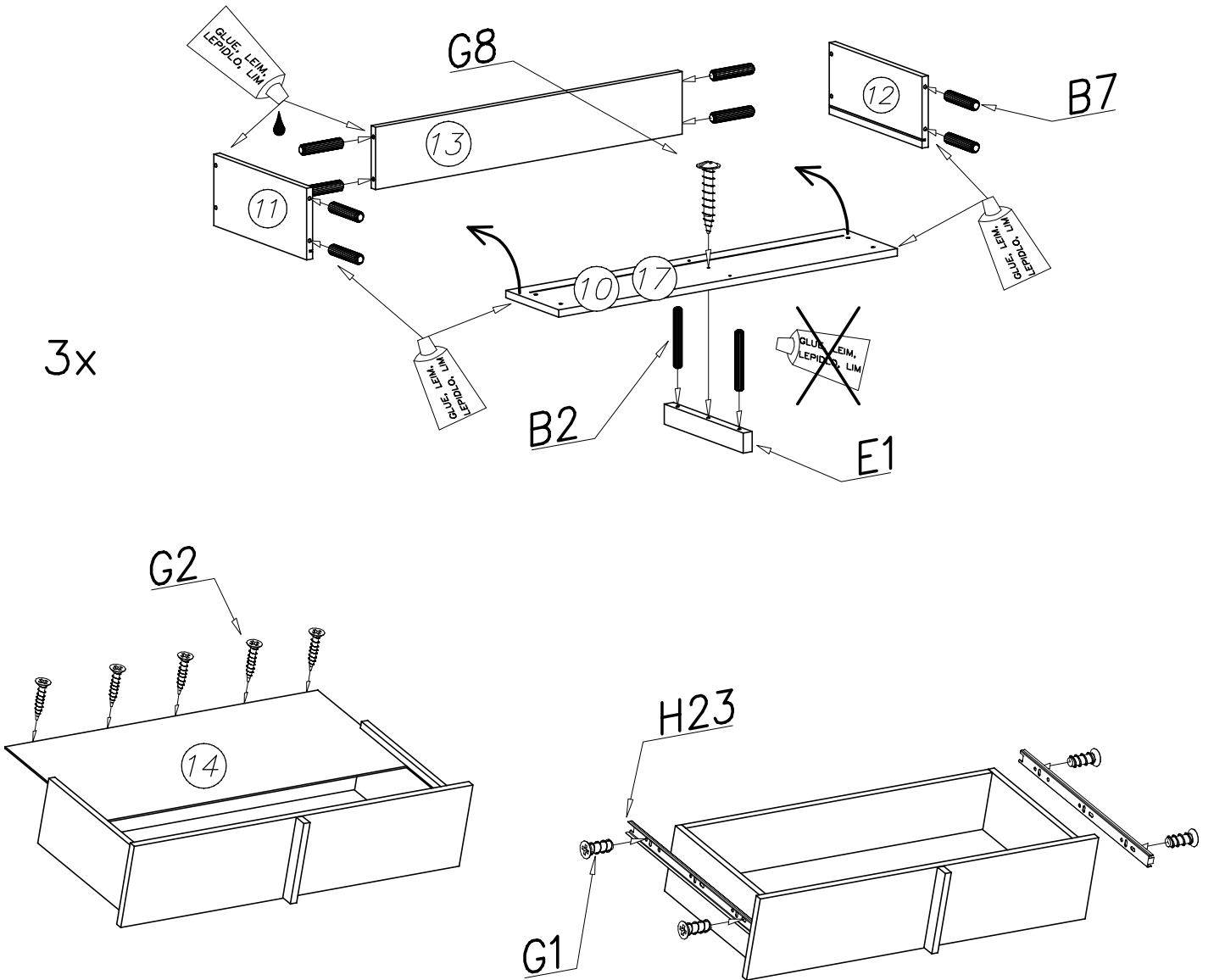




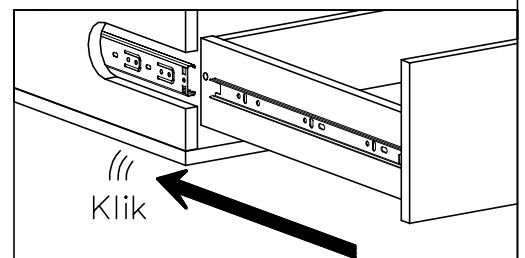
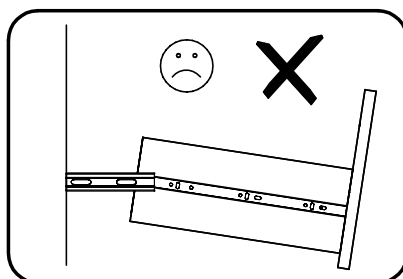
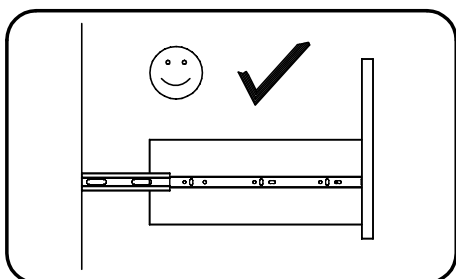
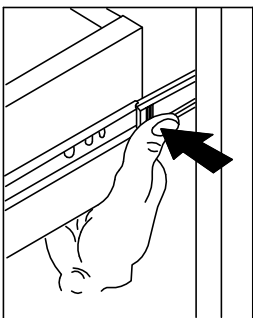
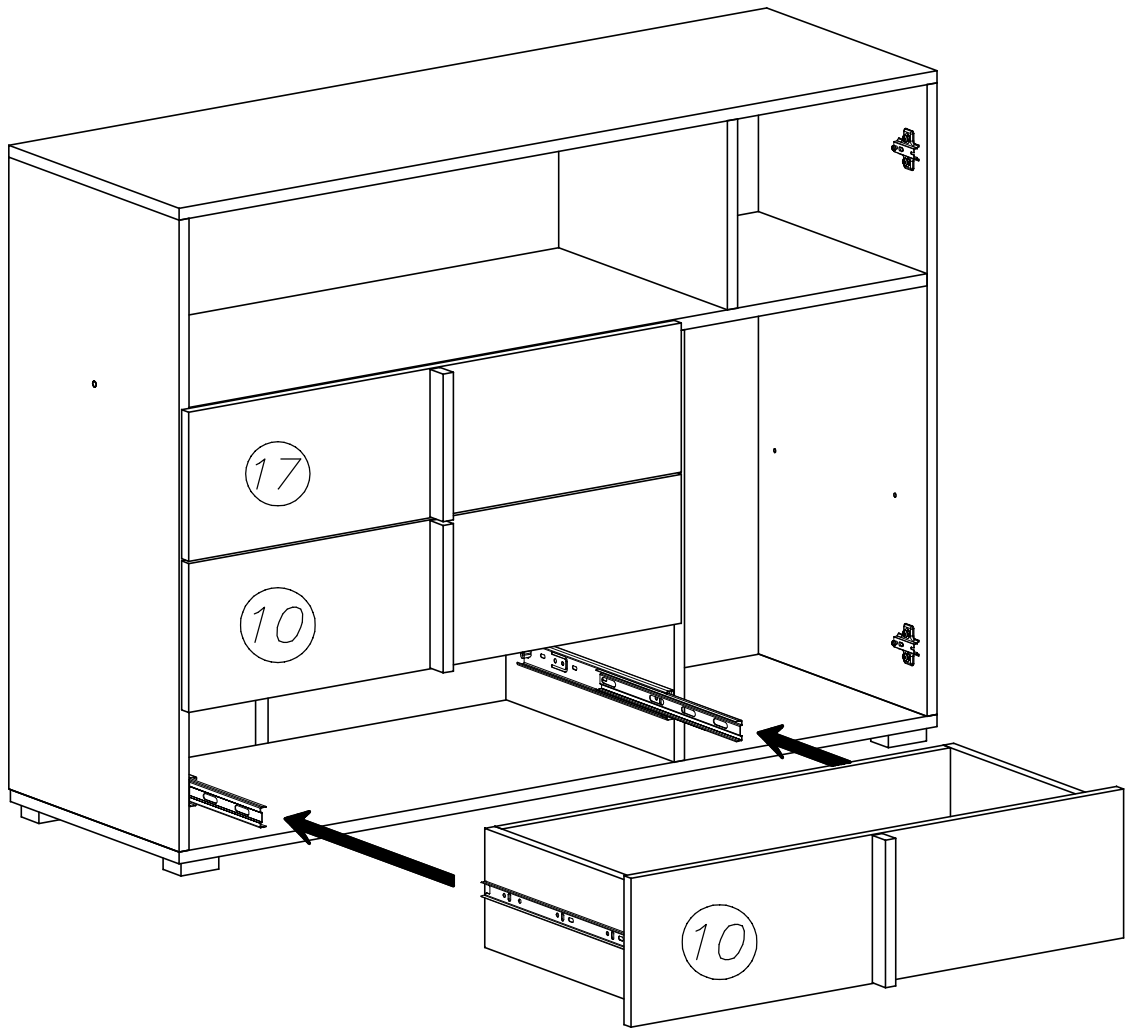
IV



V

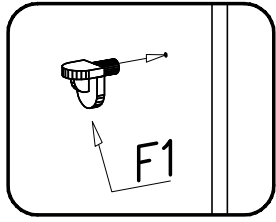


VI



VII

1



2

