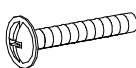
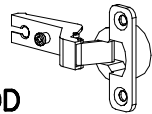


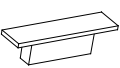

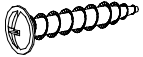


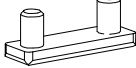

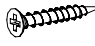
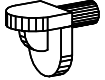
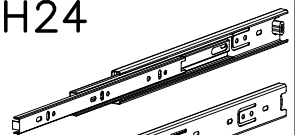


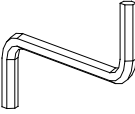

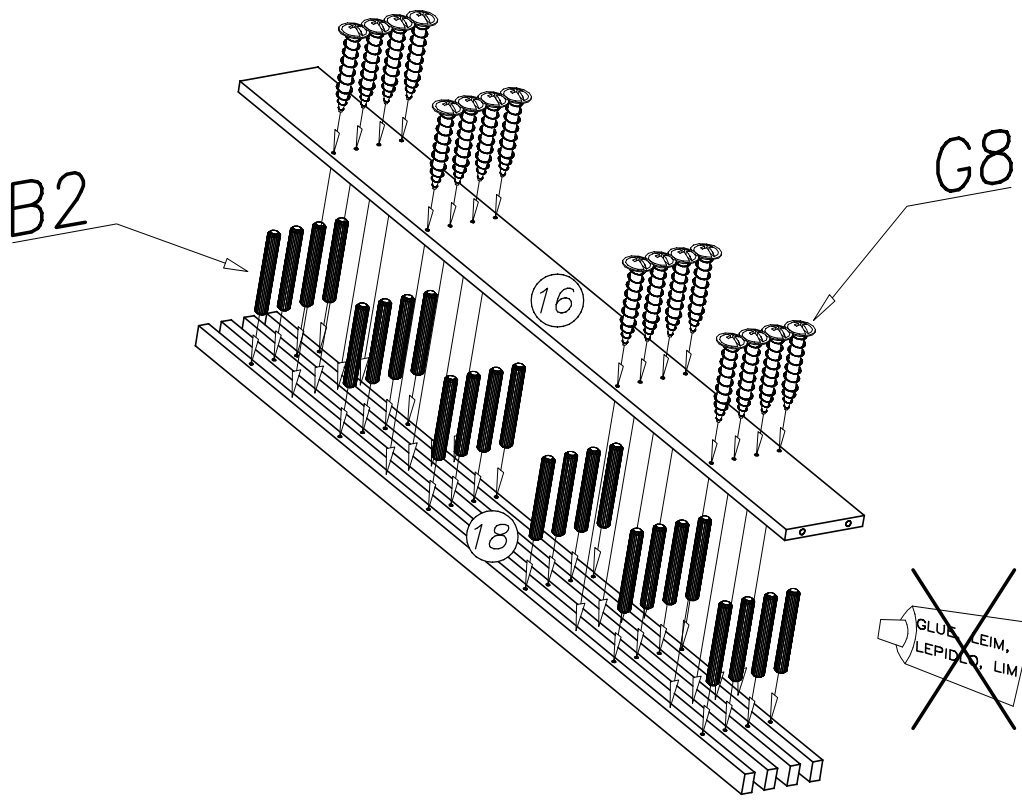
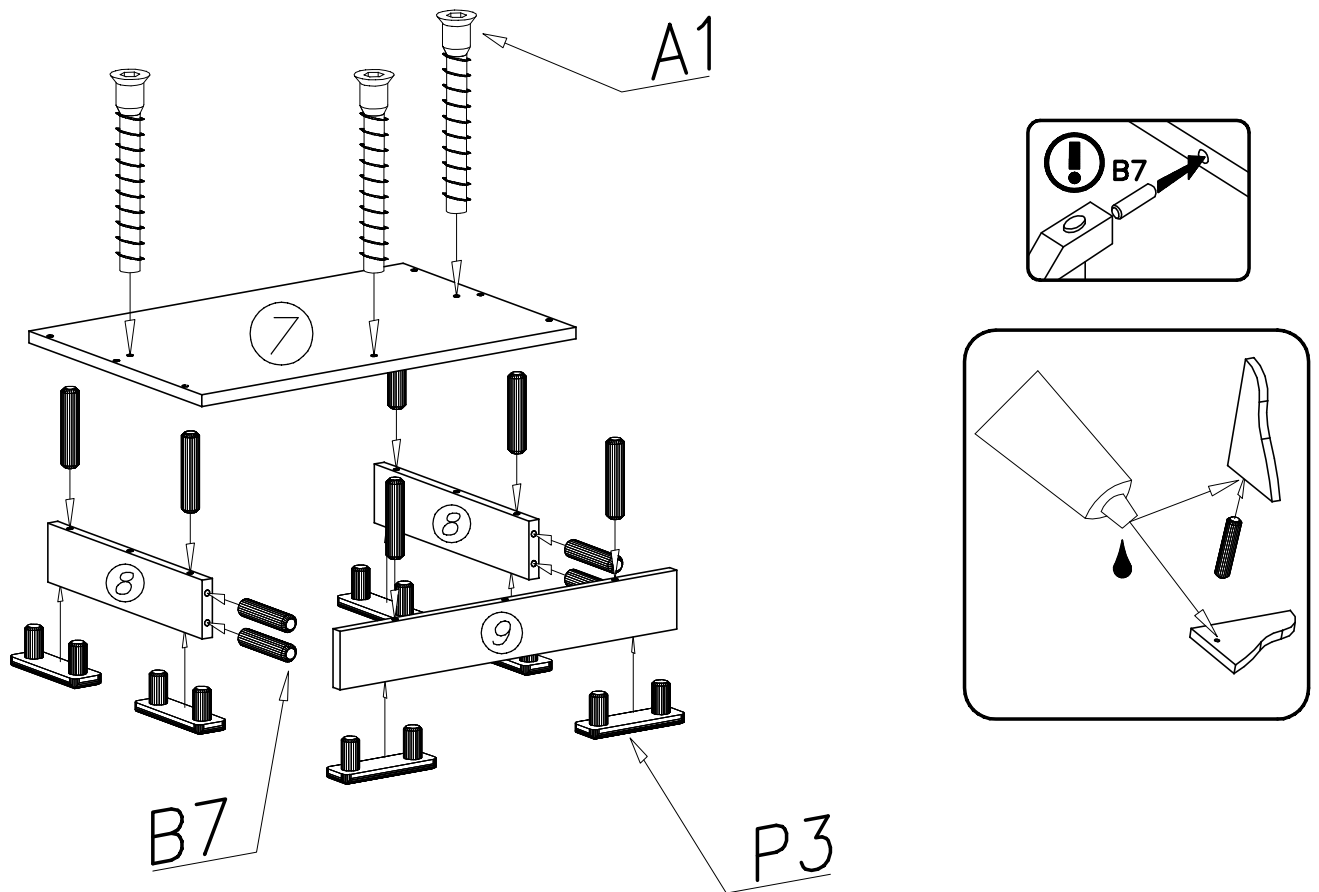


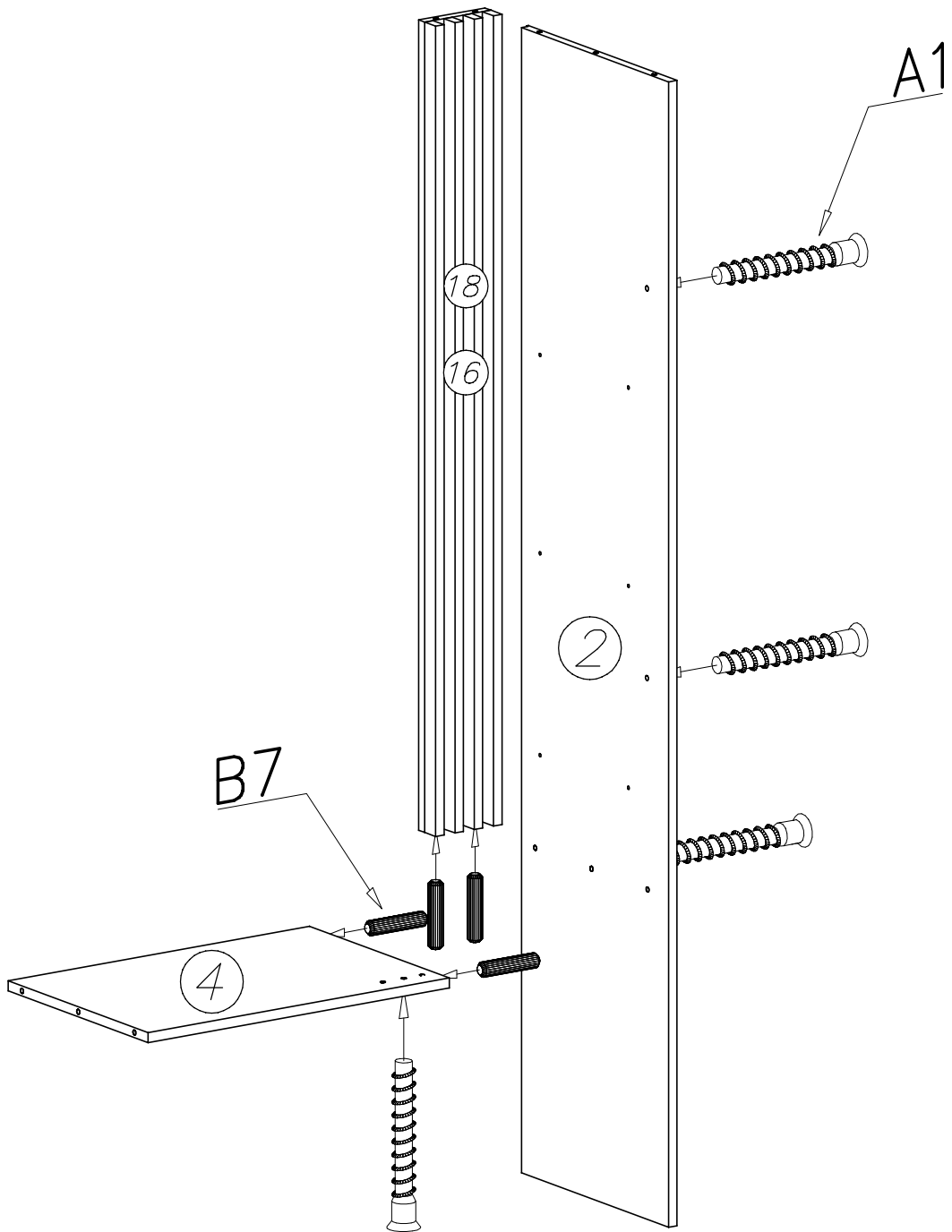
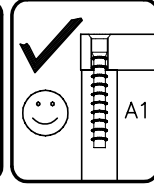
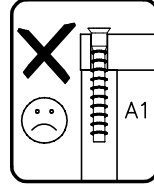
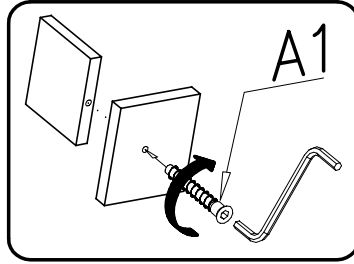
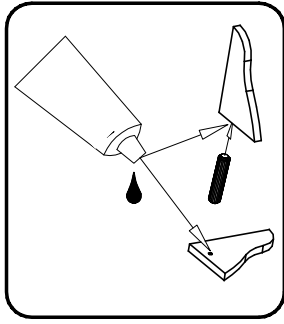
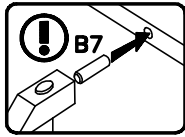
| | | | | |
|---|--|---|---|---|
| N13  M4x22 x6 | C4  Z350D x4 | D4  PZ350D x4 | B2  ø6x30 x24 | |
| E11  x3 | W1  GLUE, LEIM, LEPIDLO, LIM x2 | G8  4x30 x16 | G11  4x20 x6 | I3  x6 |
| P3  x6 | G4  4x16 x8 | G2  3x20 x40 | F1  x14 | H24  x1 |
| A1  ø7x50 x13 | B7  ø8x30 x34 | W2  x1 | G1  4x13 x10 | 350mm x1 |

I



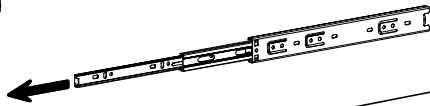
II



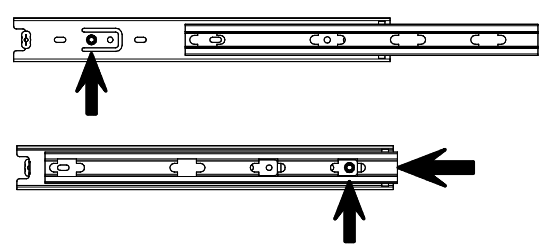
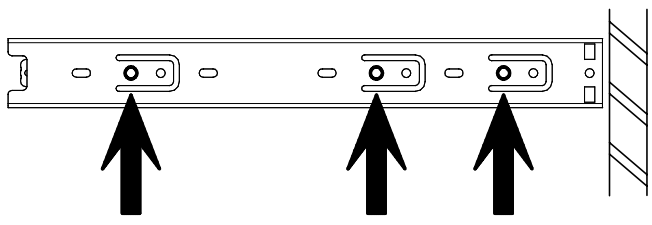
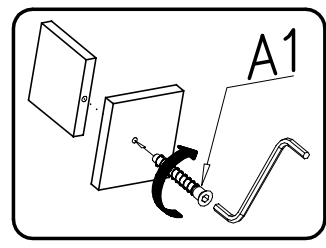
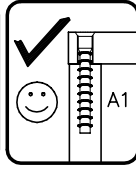
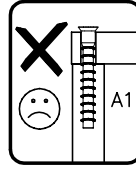
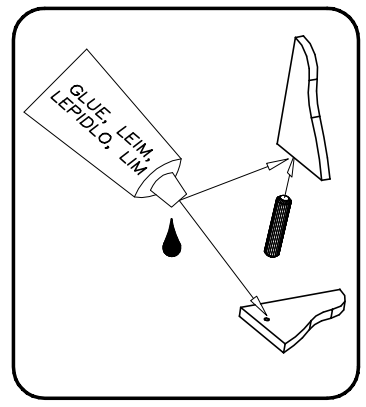
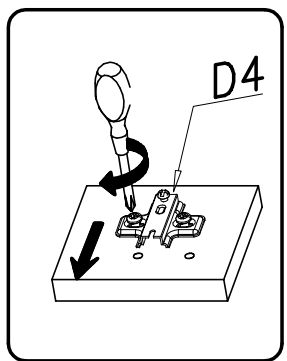
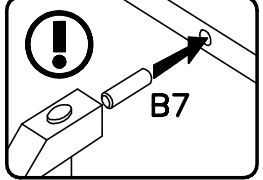
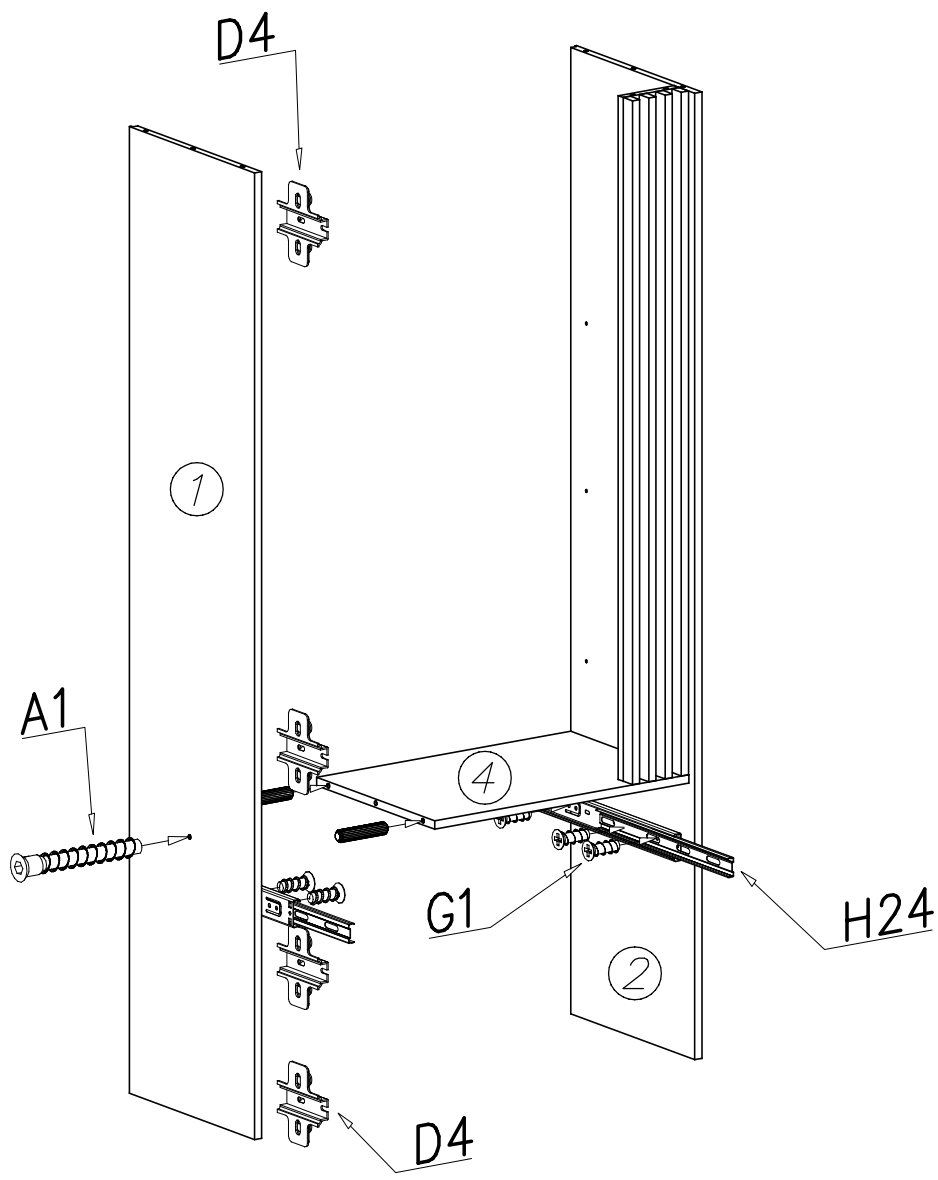
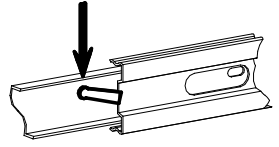
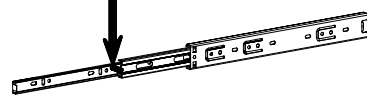


IV

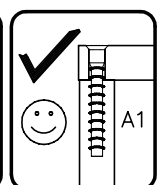
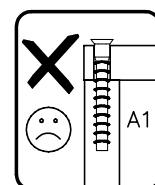
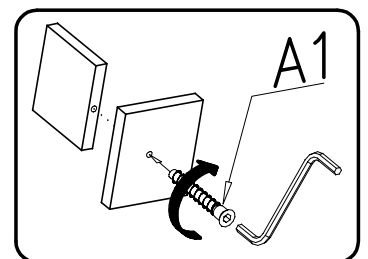
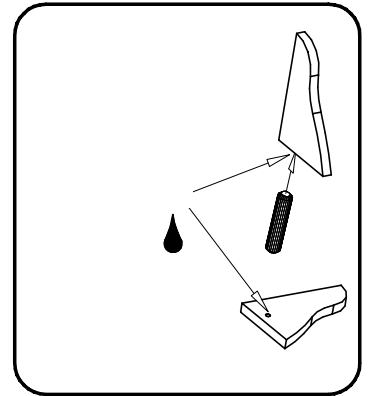
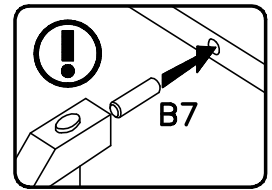
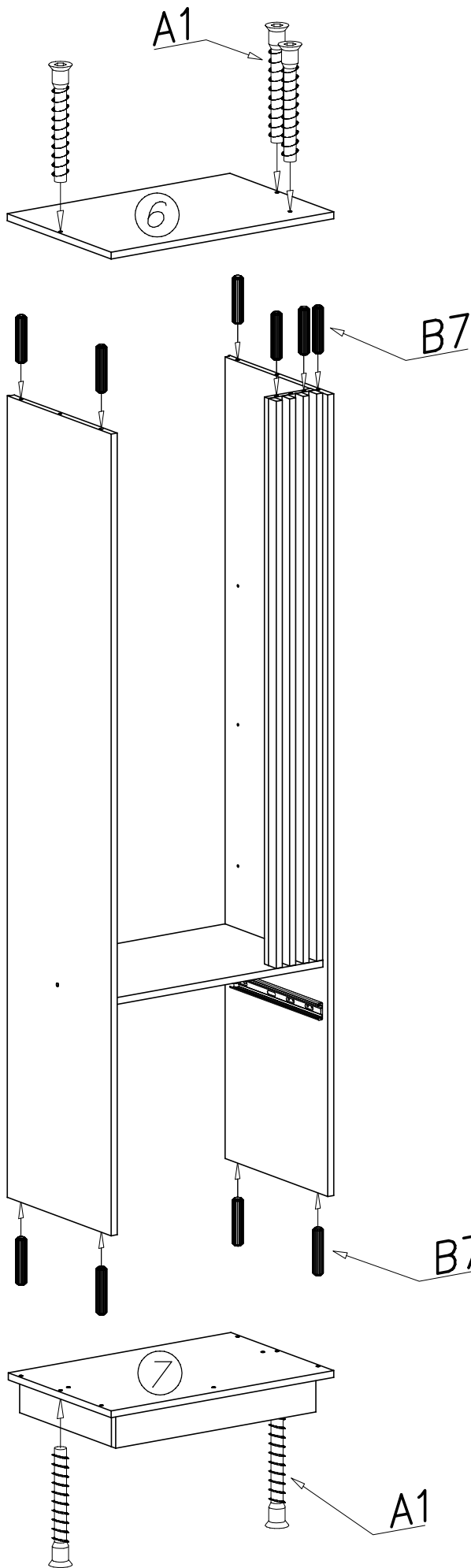
A



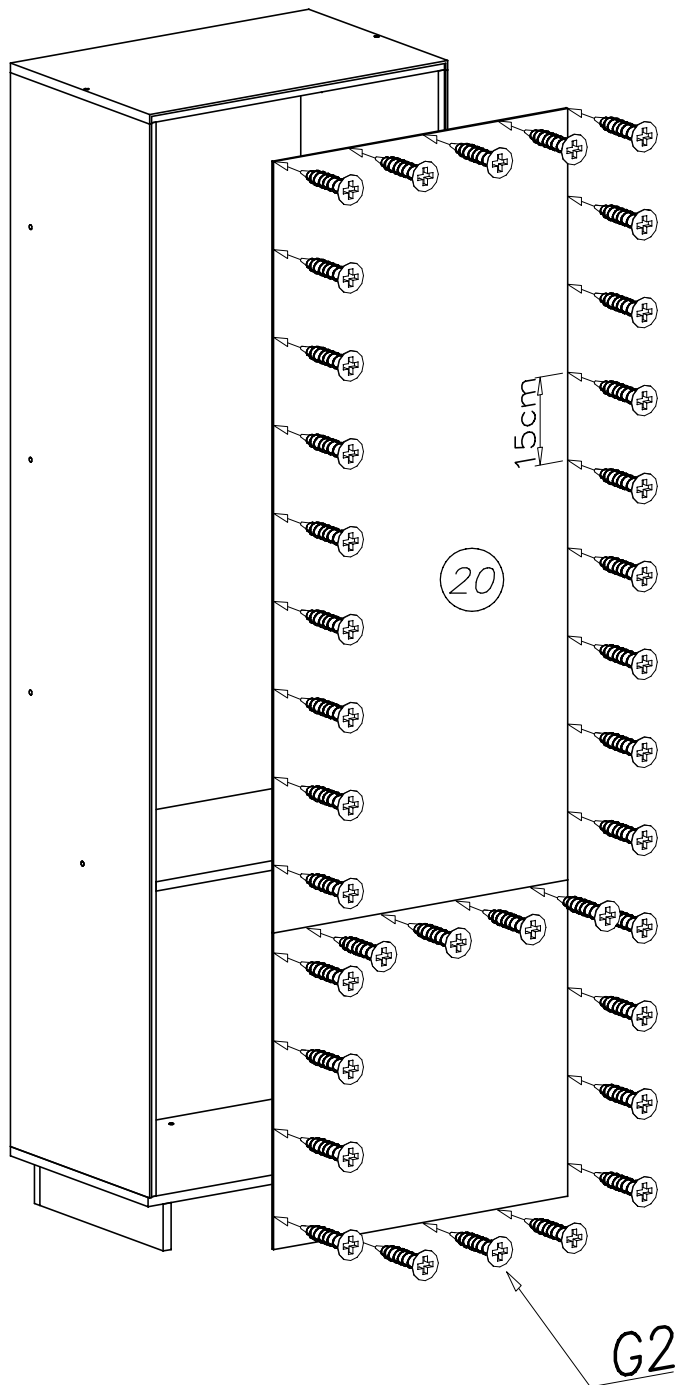
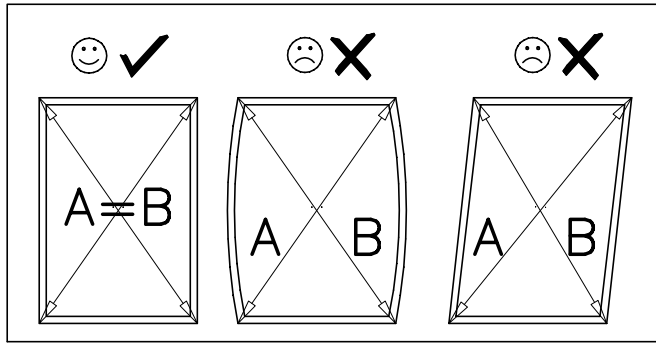
B



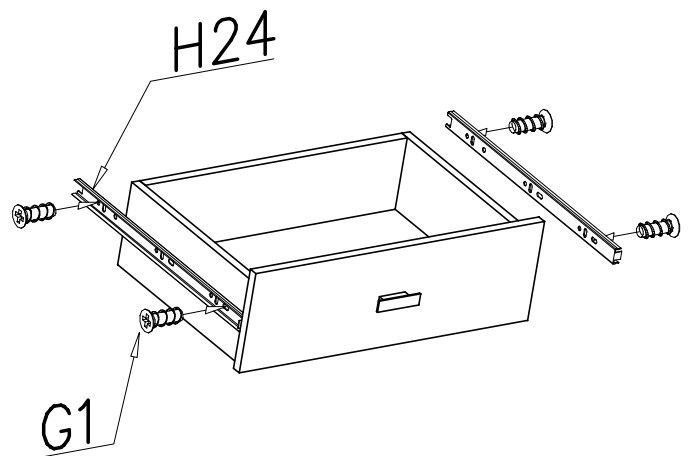
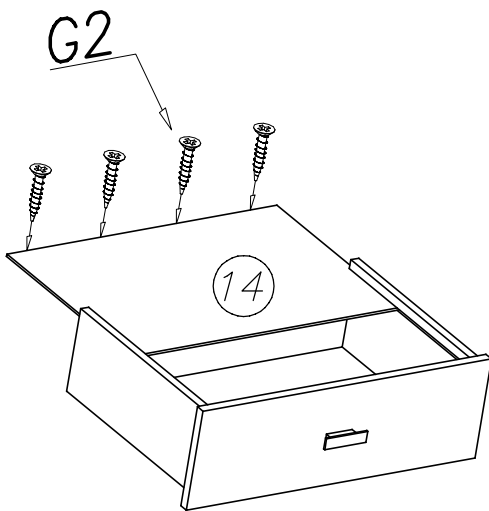
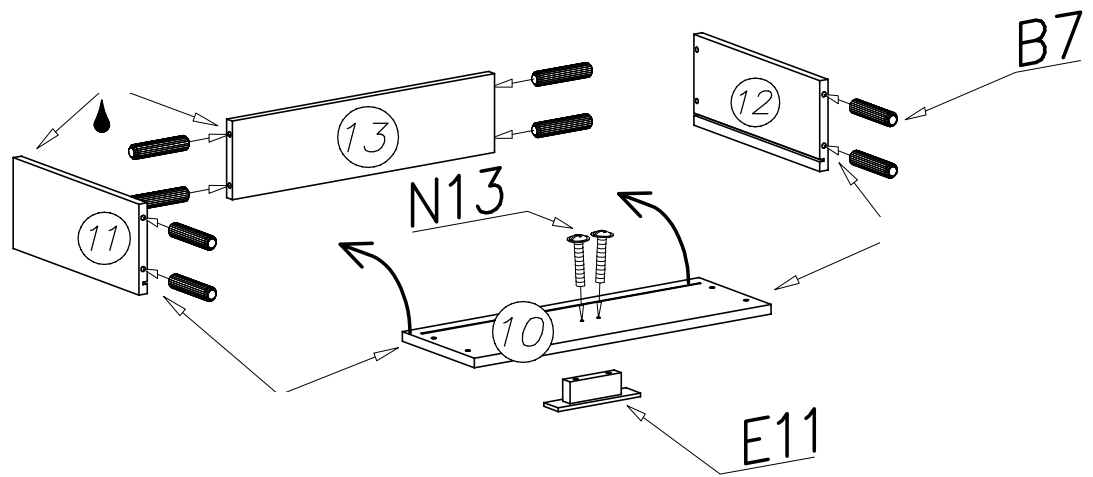
V



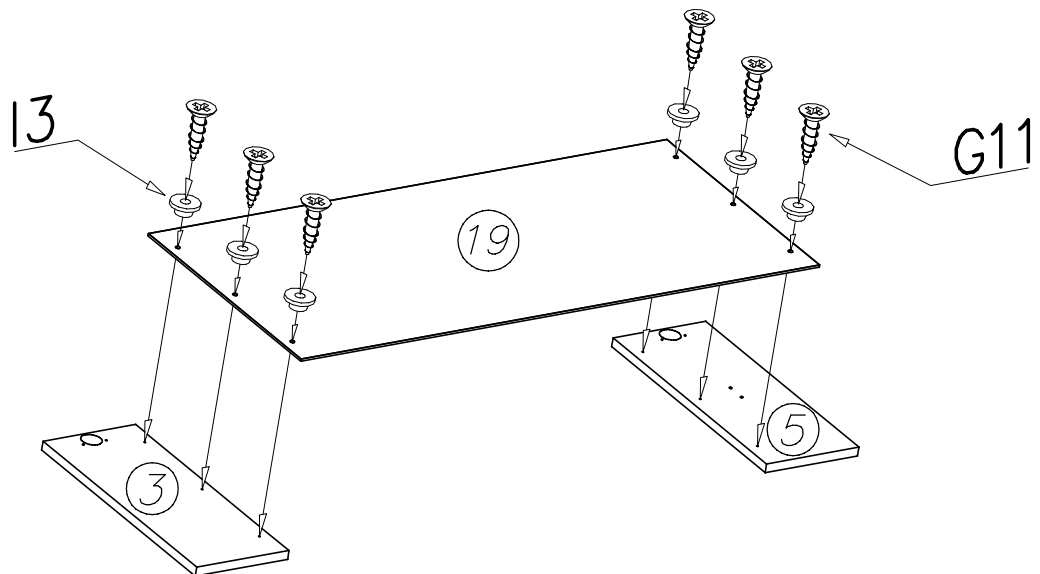
VI



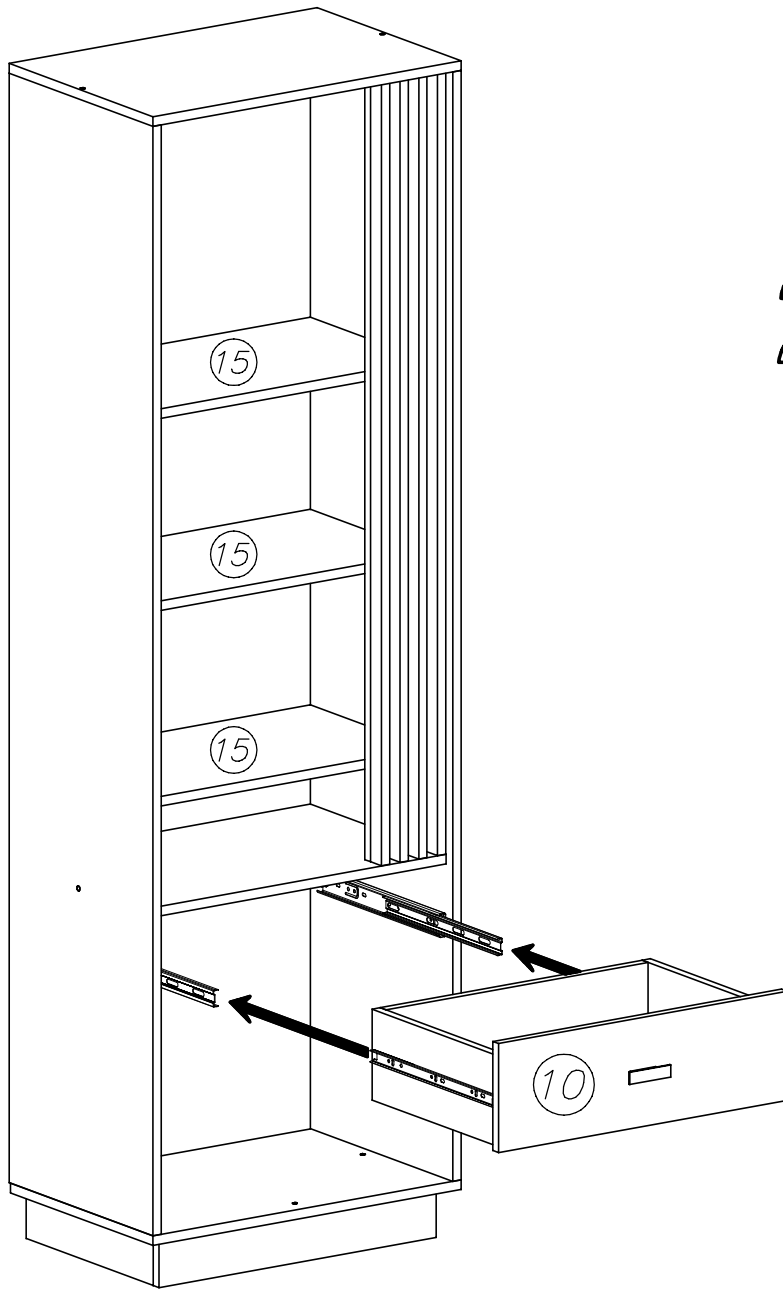
VII



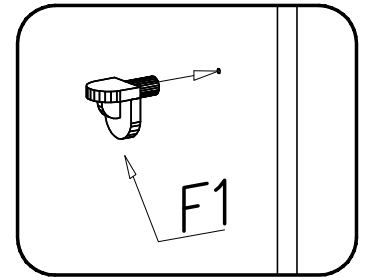
VIII



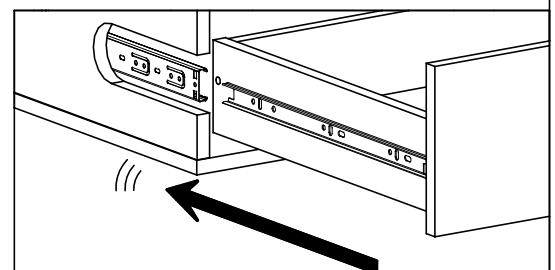
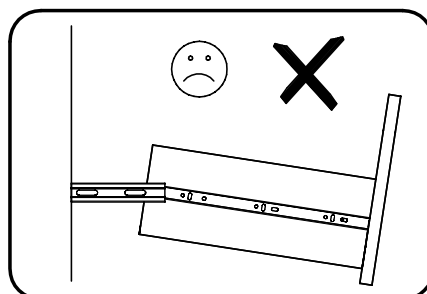
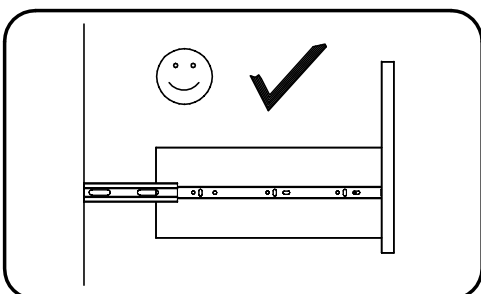
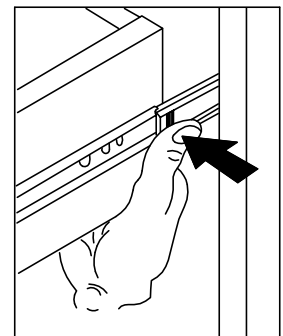
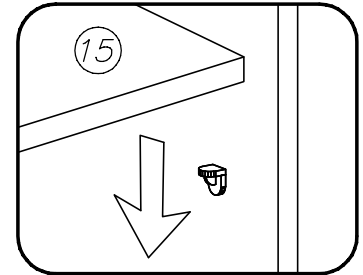
IX



1



2



(X)

