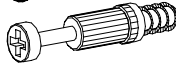
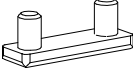


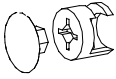

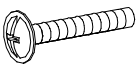
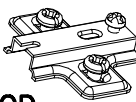
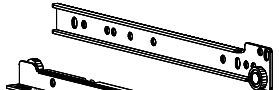
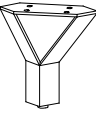

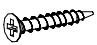
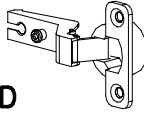


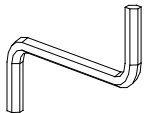
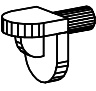

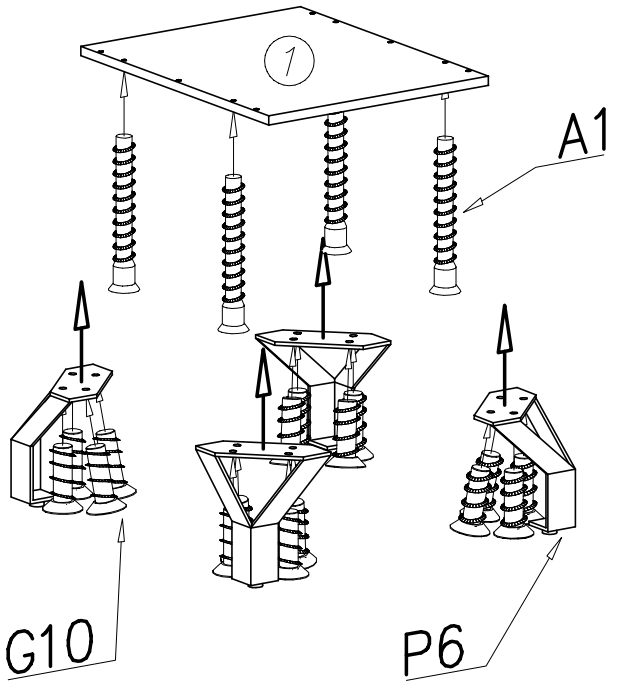
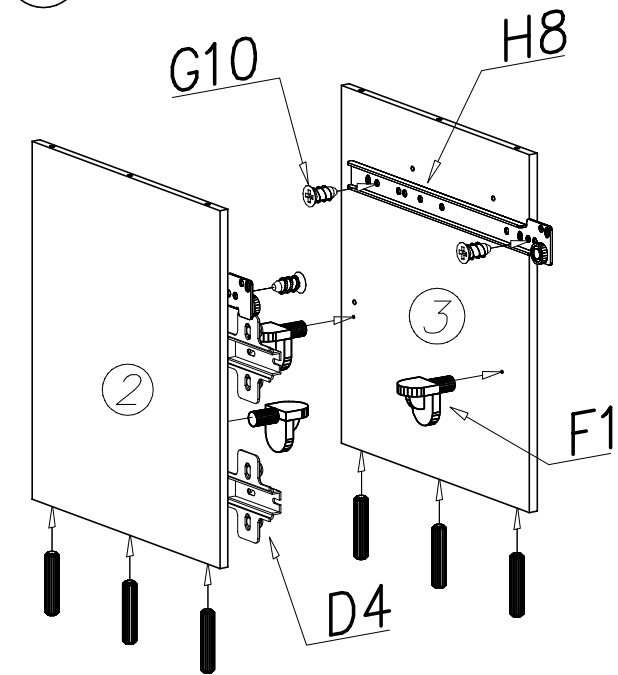
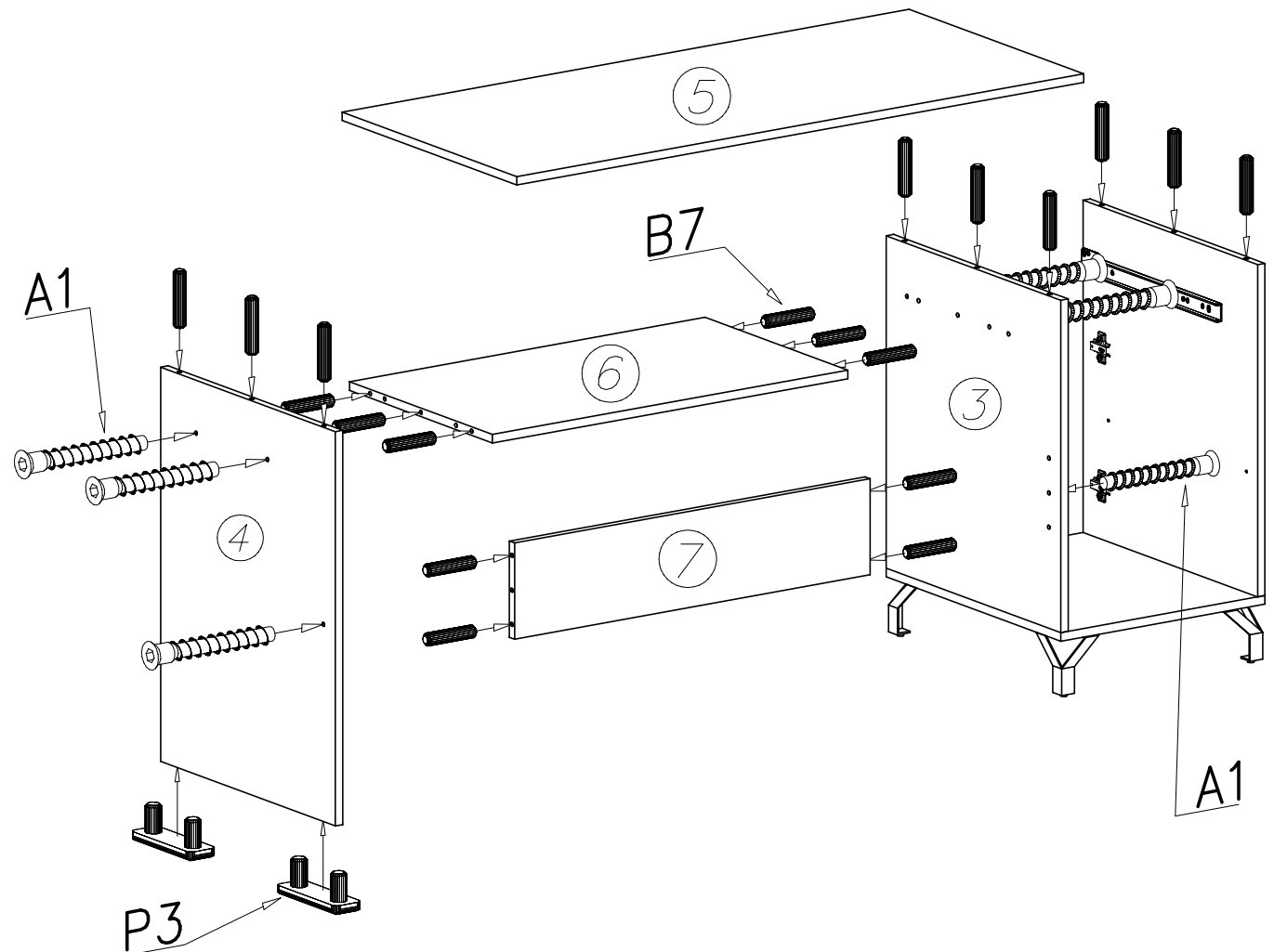
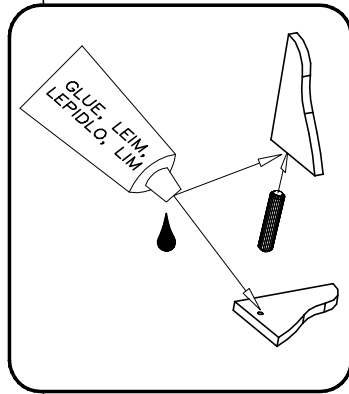


	<b>K15</b>  x2	<b>P3</b>  x2	<b>E4</b>  x1	<b>E3</b>  x1
<b>K1</b>  ø15x12 x2	<b>W1</b>  GLUE, LEIM, LEPIDLO, LIM x2	<b>N13</b>  M4x22 x3	<b>D4</b>  PZ350D x2	<b>H8</b>  400mm x1
<b>P6</b>  x4	<b>G4</b>  4x16 x10	<b>G2</b>  3x20 x20	<b>C4</b>  Z350D x2	
<b>A1</b>  ø7x50 x10	<b>B7</b>  ø8x30 x33	<b>W2</b>  x1	<b>F1</b>  x4	<b>G10</b>  6x13 x20

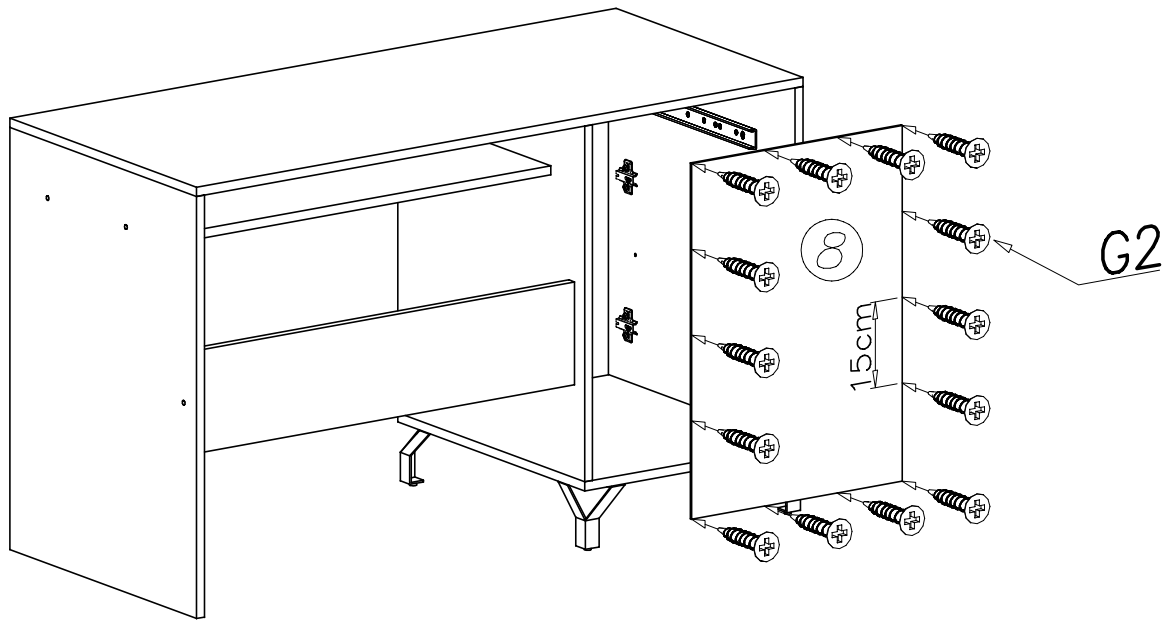
I



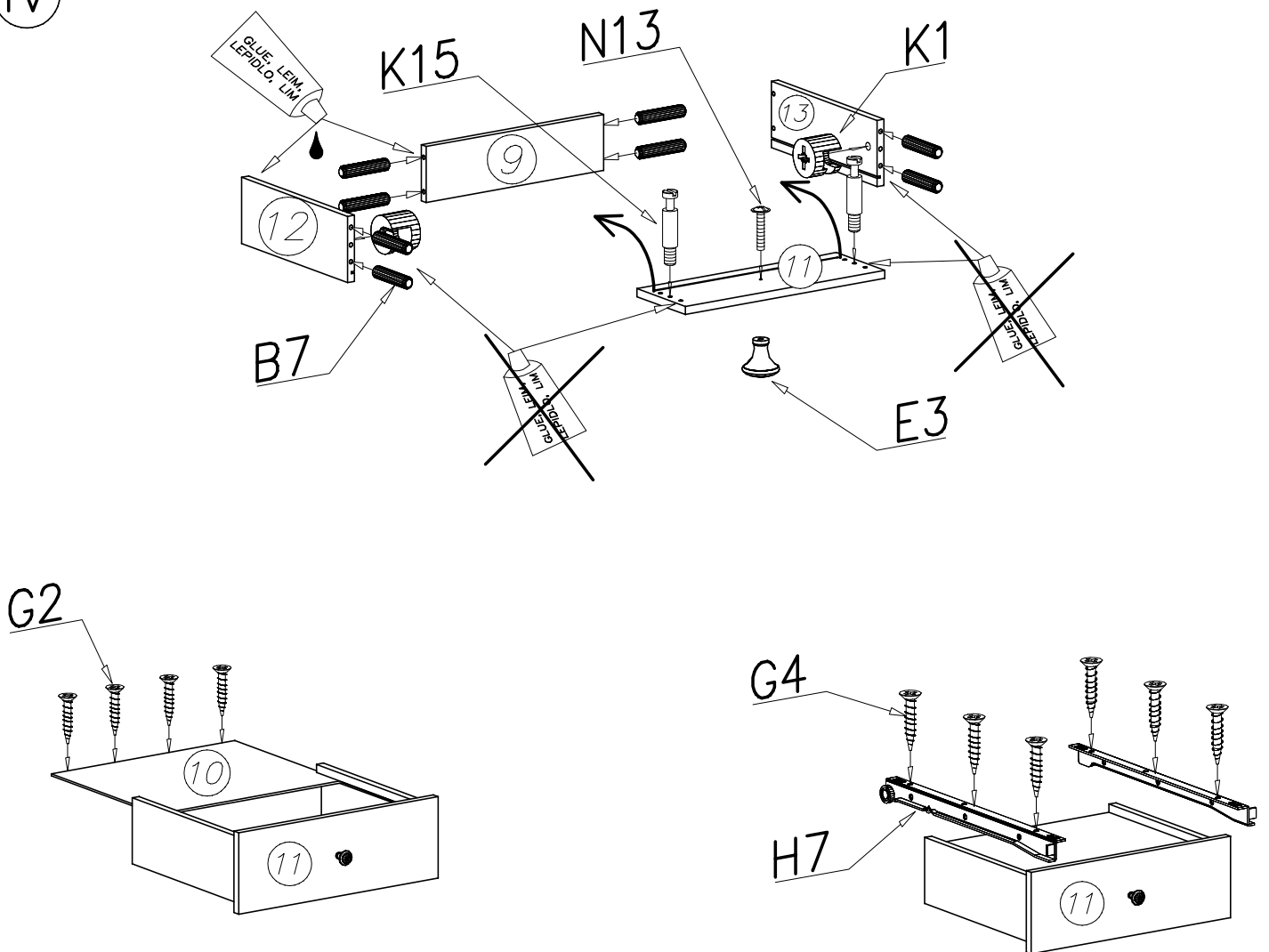
II



III



IV



V

