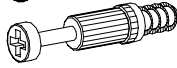



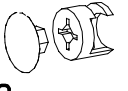

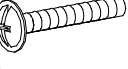
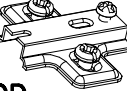
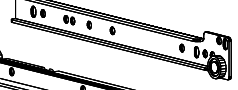
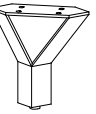


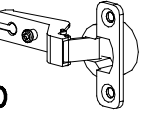
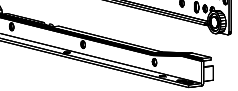


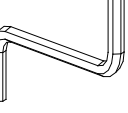
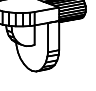

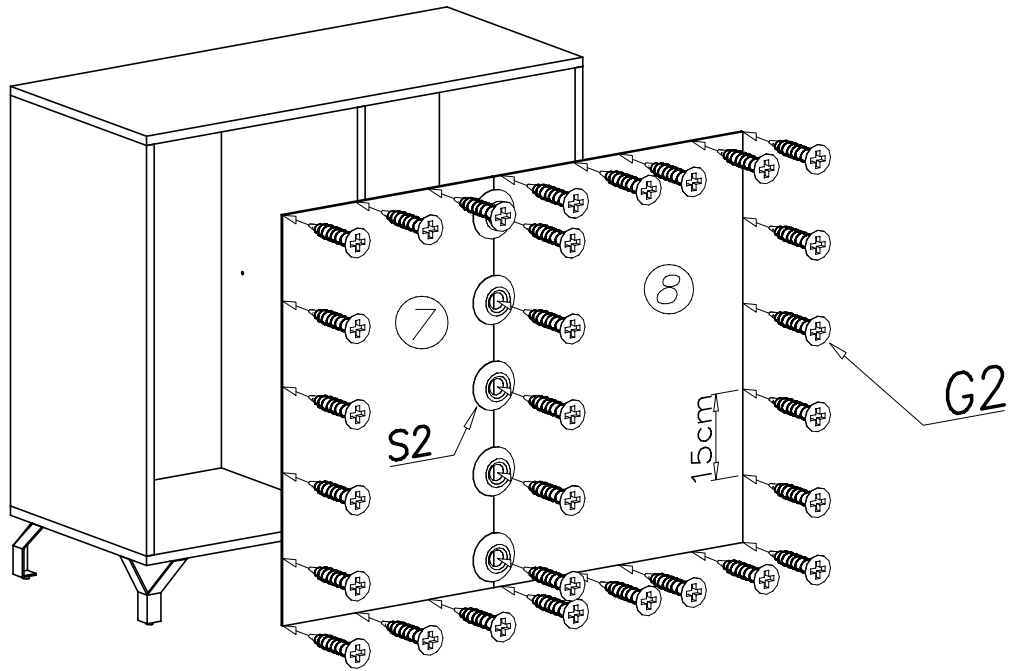
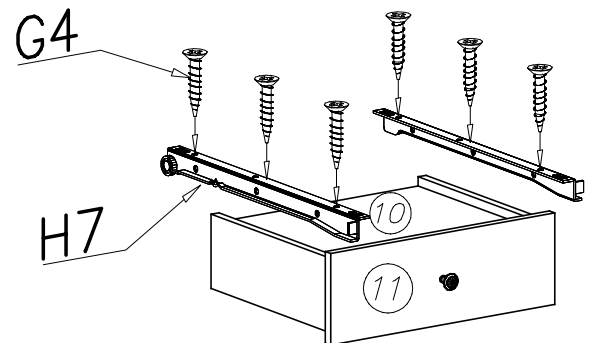
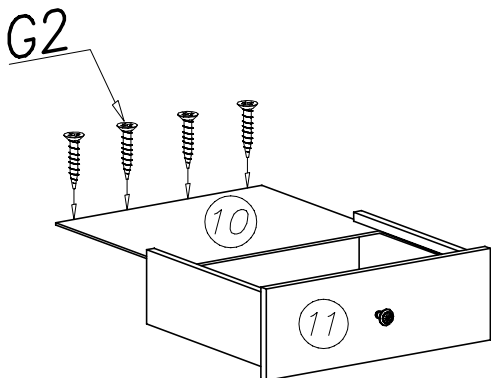
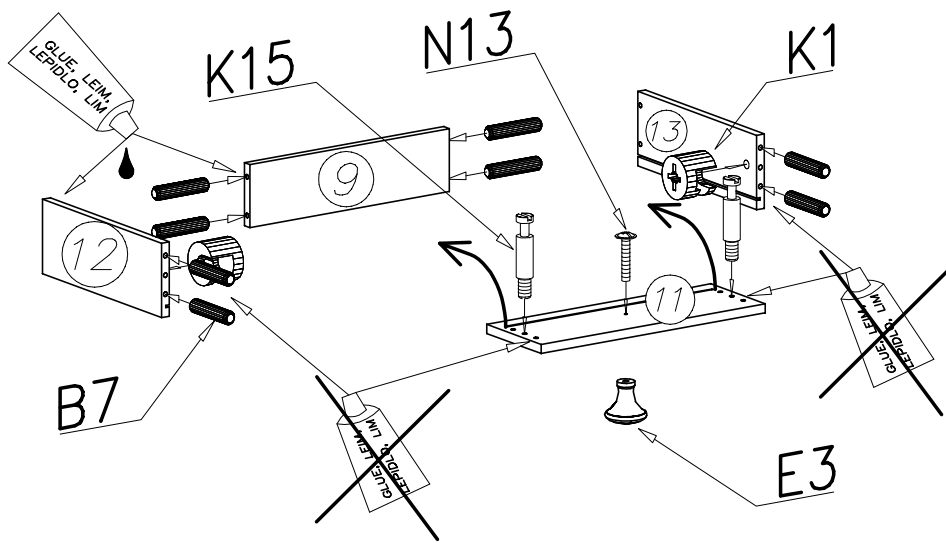


	K15  x8	S2  x5	E4  x1	E3  x4
K1  ø15x12 x8	W1  GLUE, LEIM, LEPIDLO, LIM x3	N13  M4x22 x6	D4  PZ350D x2	H7  x4
P6  x4	G4  4x16 x28	G2  3x20 x45	C4  Z350D x2	350mm  x4
A1  ø7x50 x3	B7  ø8x30 x44	W2  x1	F1  x4	G10  6x13 x32

II



III



IV

