
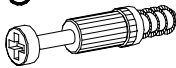

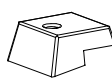


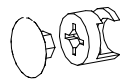
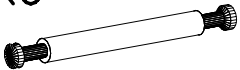


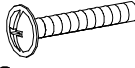
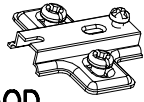
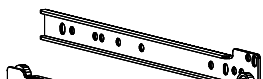

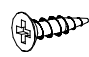
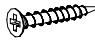
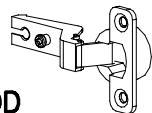
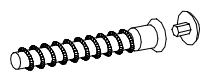

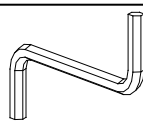
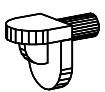

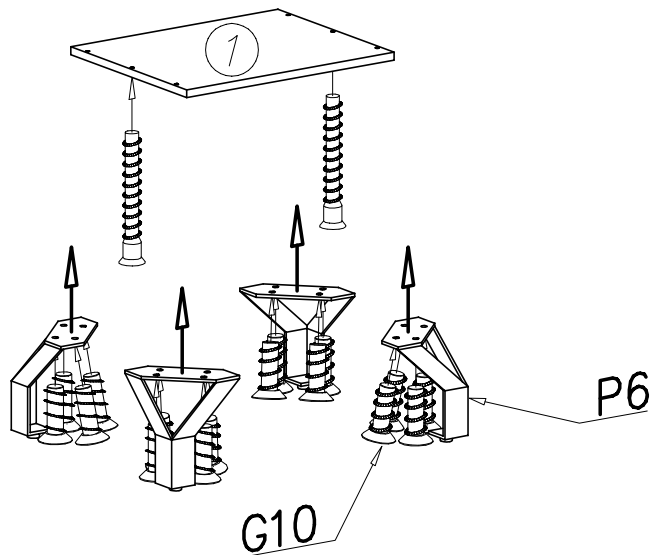
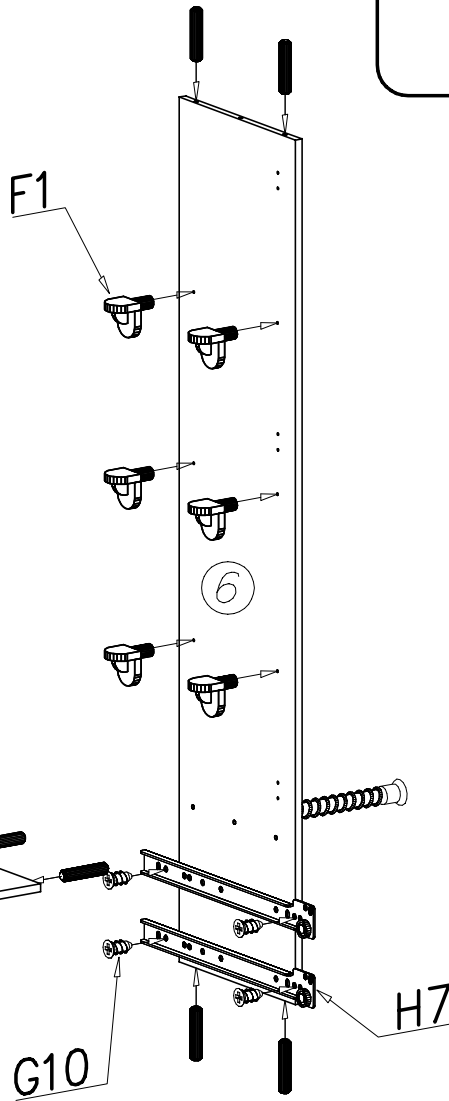
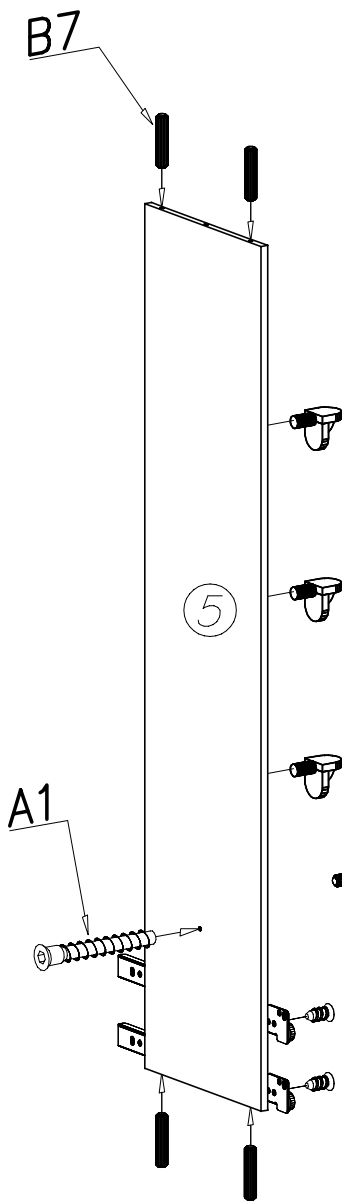
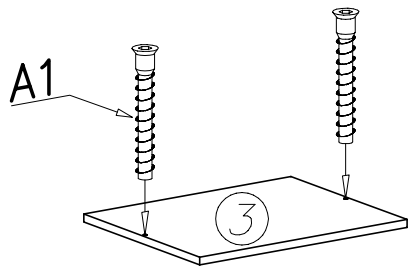
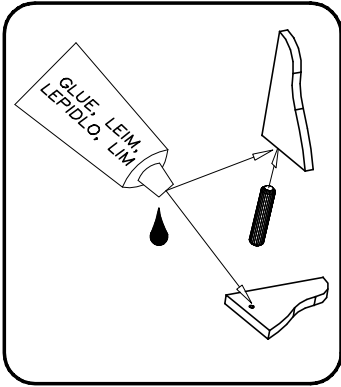


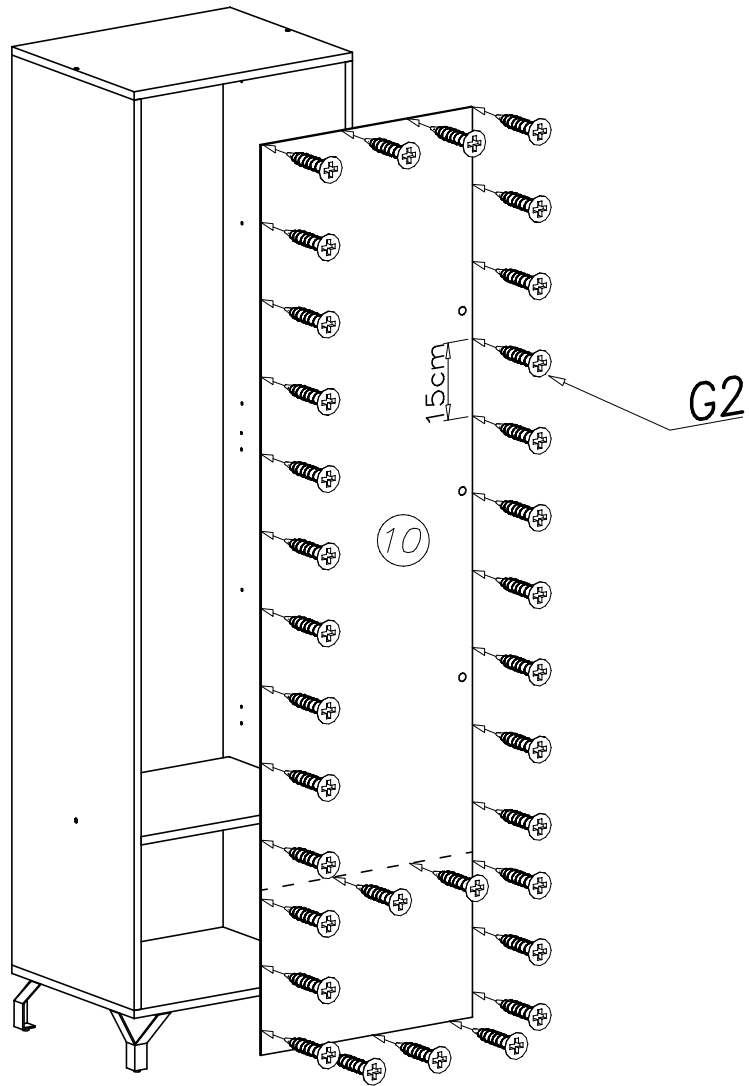
B2		ø6x30	x6
K15			x4
I10			x2

I2		10x	E4		x1	E3		x2	K1		ø15x12	x16	K6		x6		
P6		x4	W1		x2	N13		M4x22	x4	D4		PZ350D	x3	H7		x2	
G21		3x16	10x	G4		4x16	x18	G2		3x20	x40	C4		Z350D	x3	350mm	x2
A1		ø7x50	x6	B7		ø8x30	x24	W2		x1	F1		x13	G10		6x13	x24

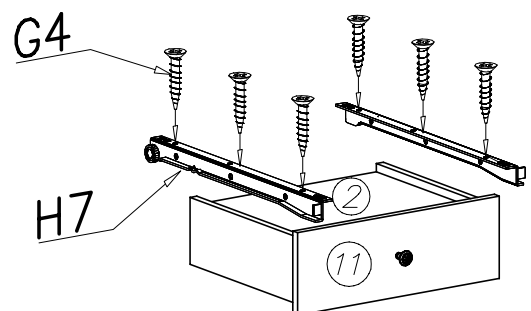
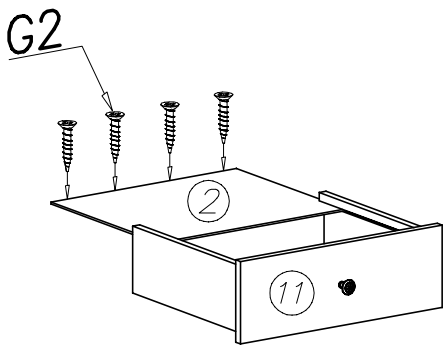
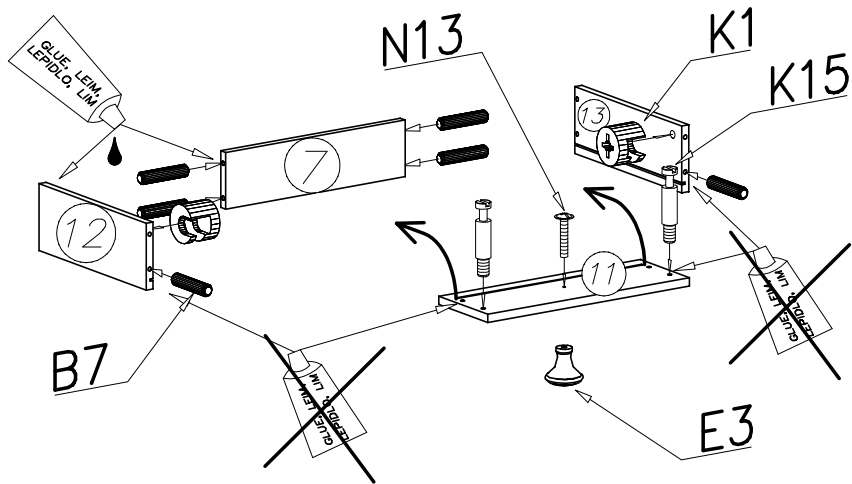
1



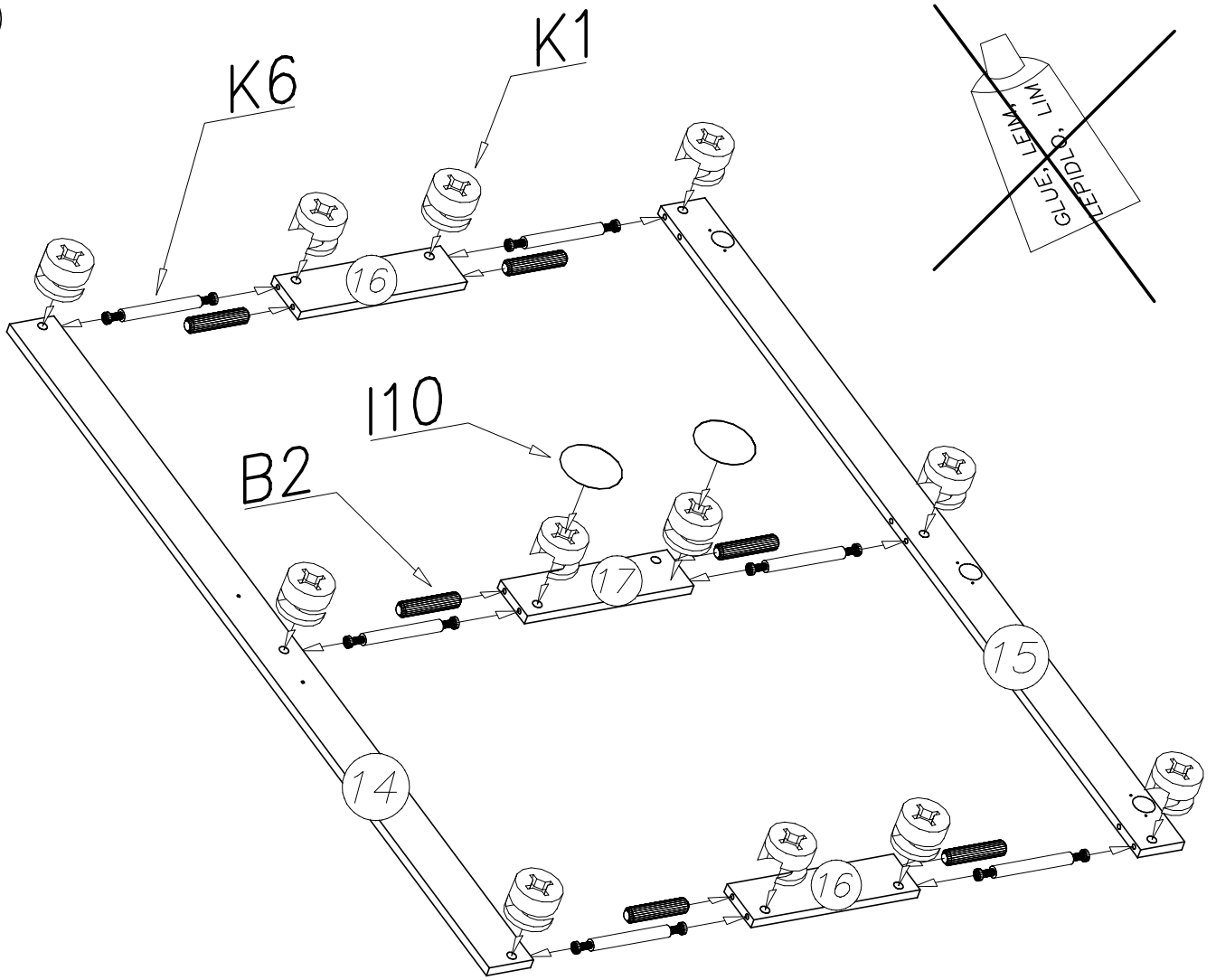
II



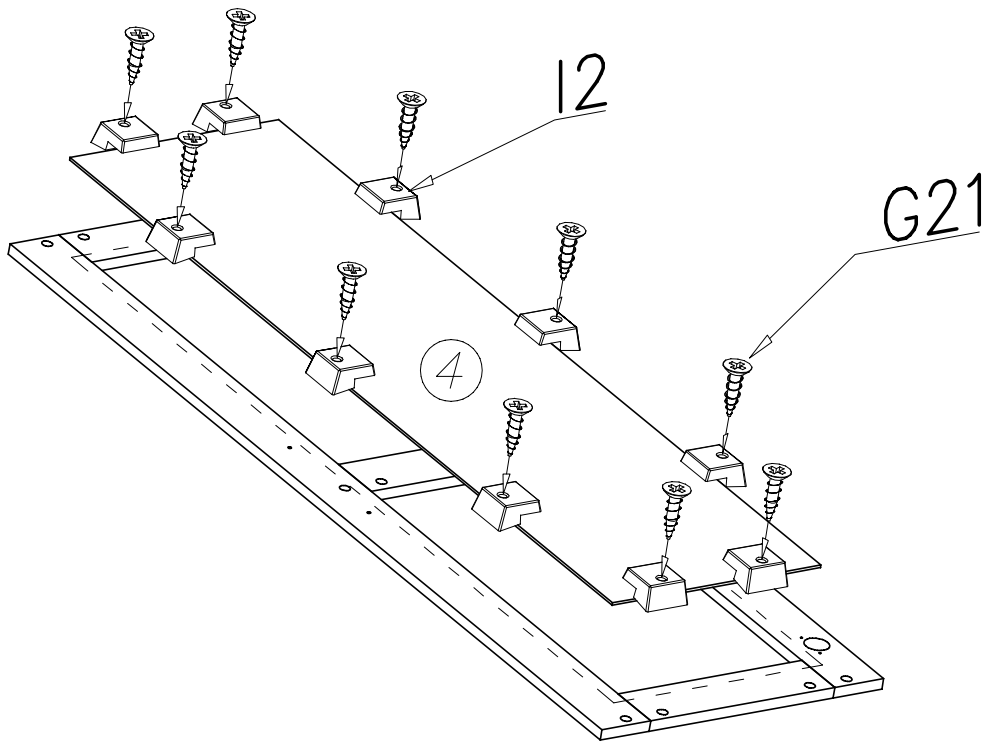
III



IV



V



VI

