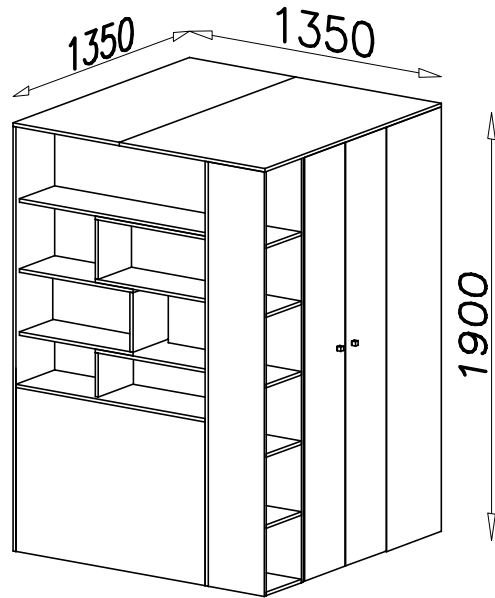
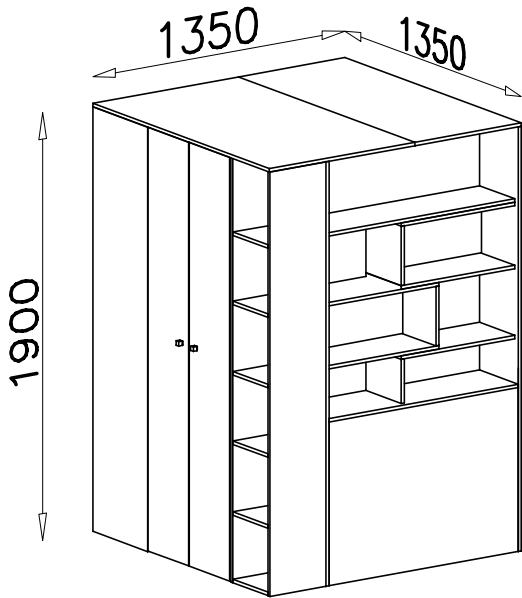
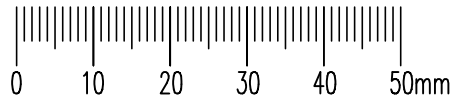
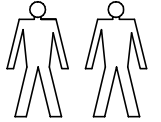
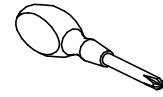
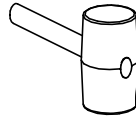
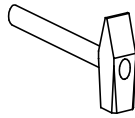
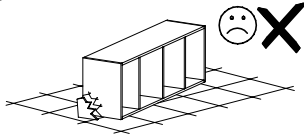
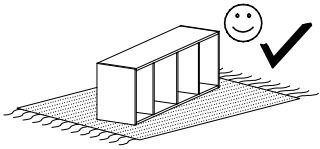


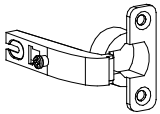
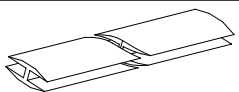

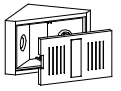



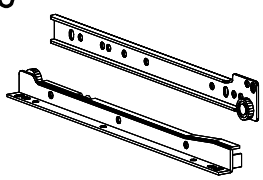

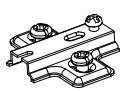
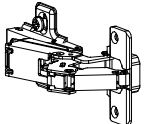
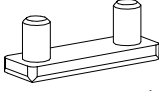
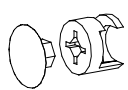

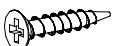
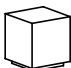
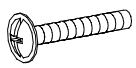
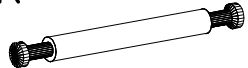


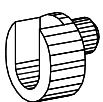
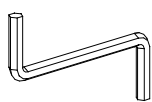

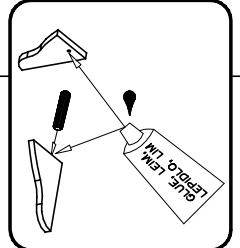
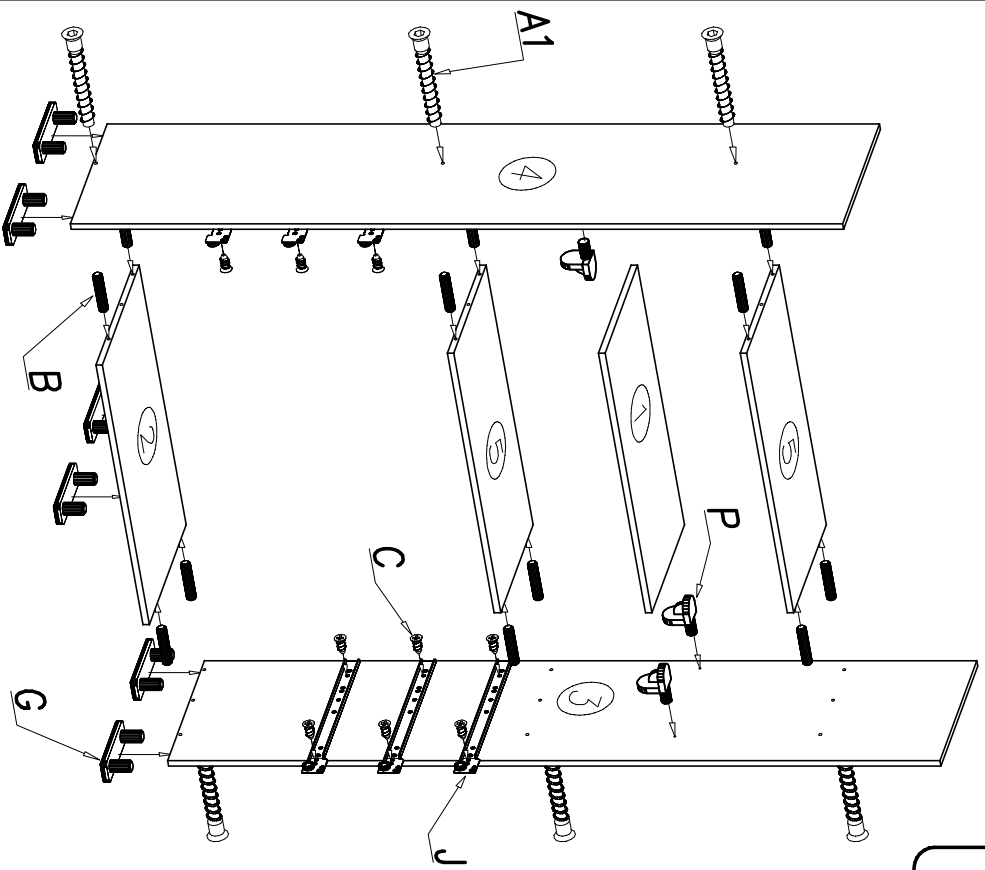


L/P

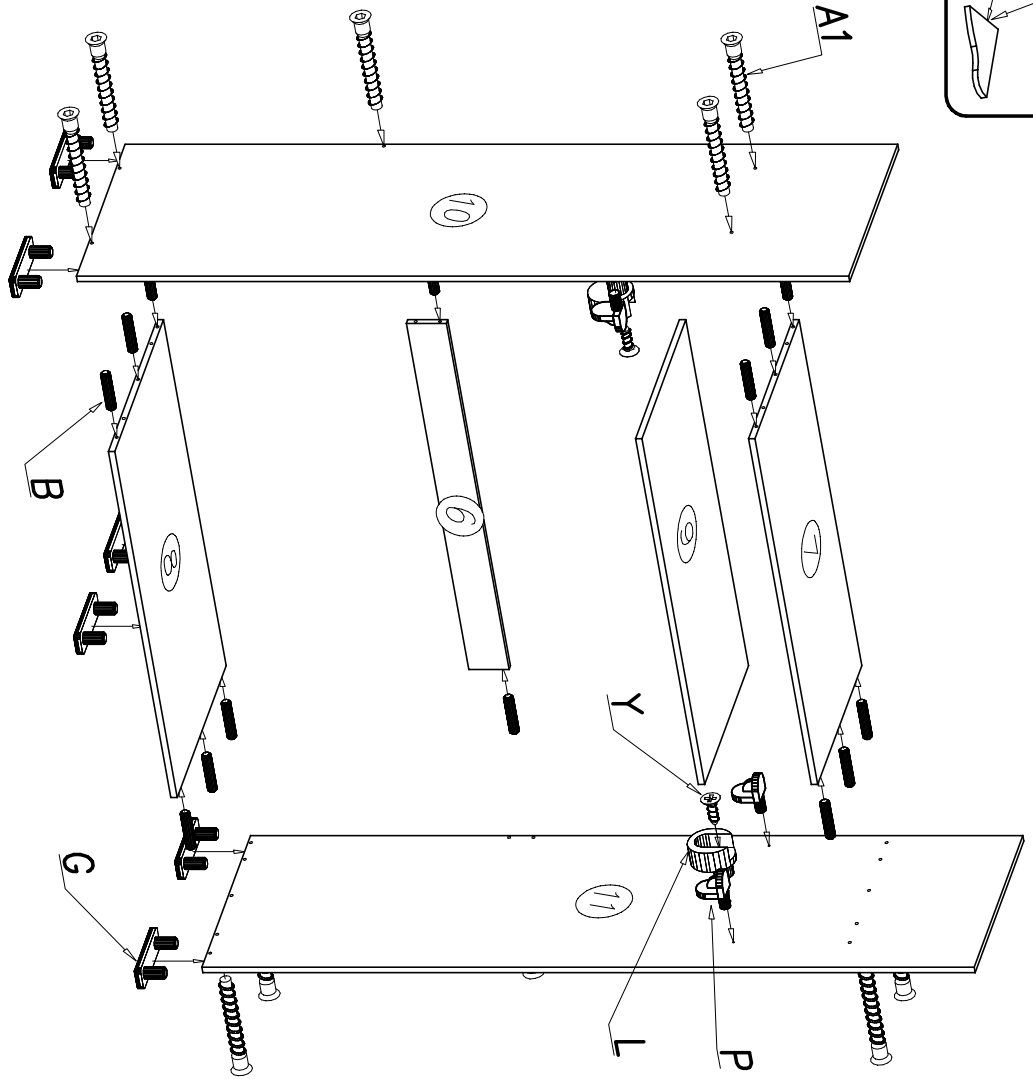


				L  3x16 x6
A5  ø7x60 x5	M  x3	H  1860mm x2	X  1,6x16 x45	Q  x1
Y  3x13 x2	P  x18	T  4x16 x32	J  35cm x3	C  6x13 x12
F  x3	D  x3	G  x22	K  x6	
W  x7	E  3x20 x105	U  x2	N  M4x22 x4	R  x3
A1  ø7x50 x56	B  x150	L  x2	Z  x1	S  1004mm x1

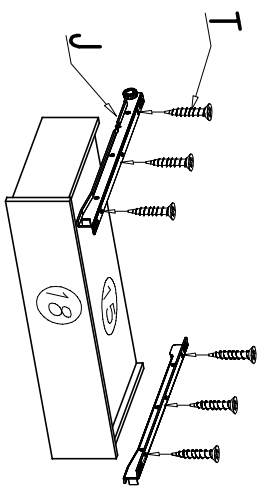
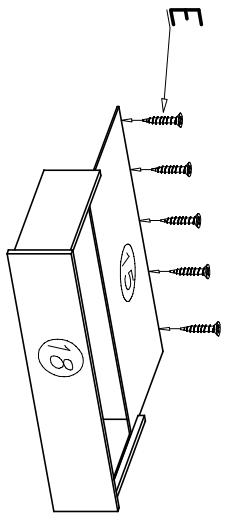
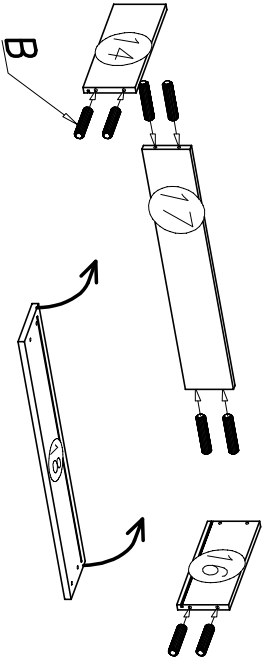
I



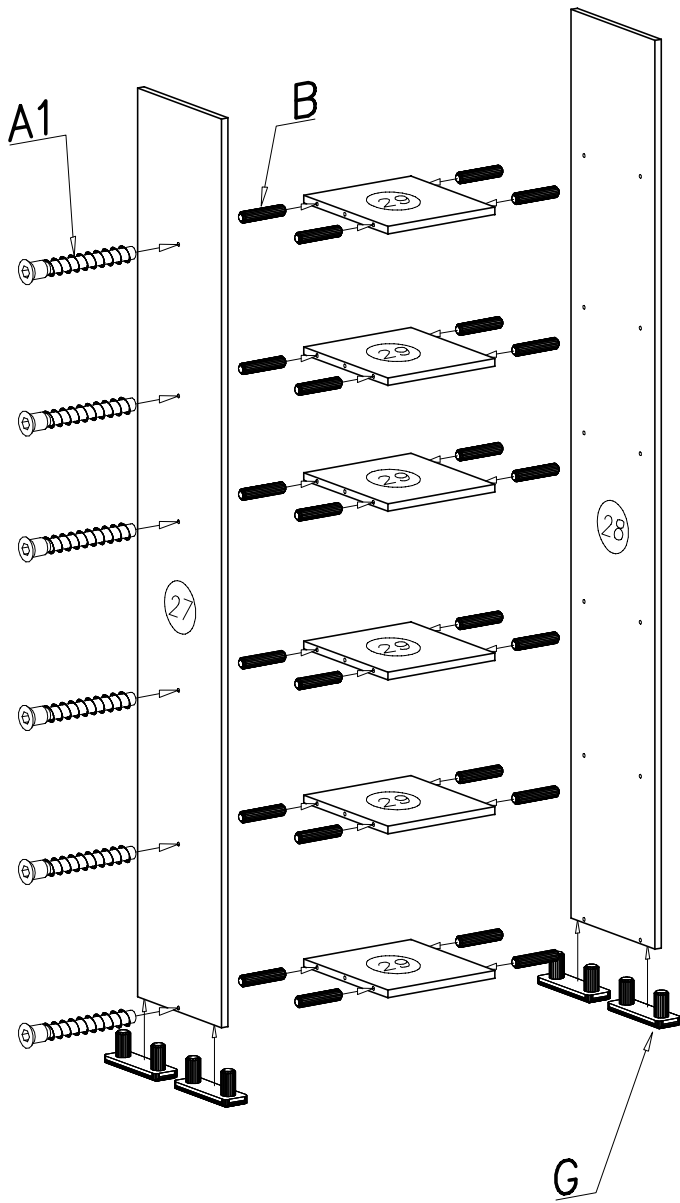
II



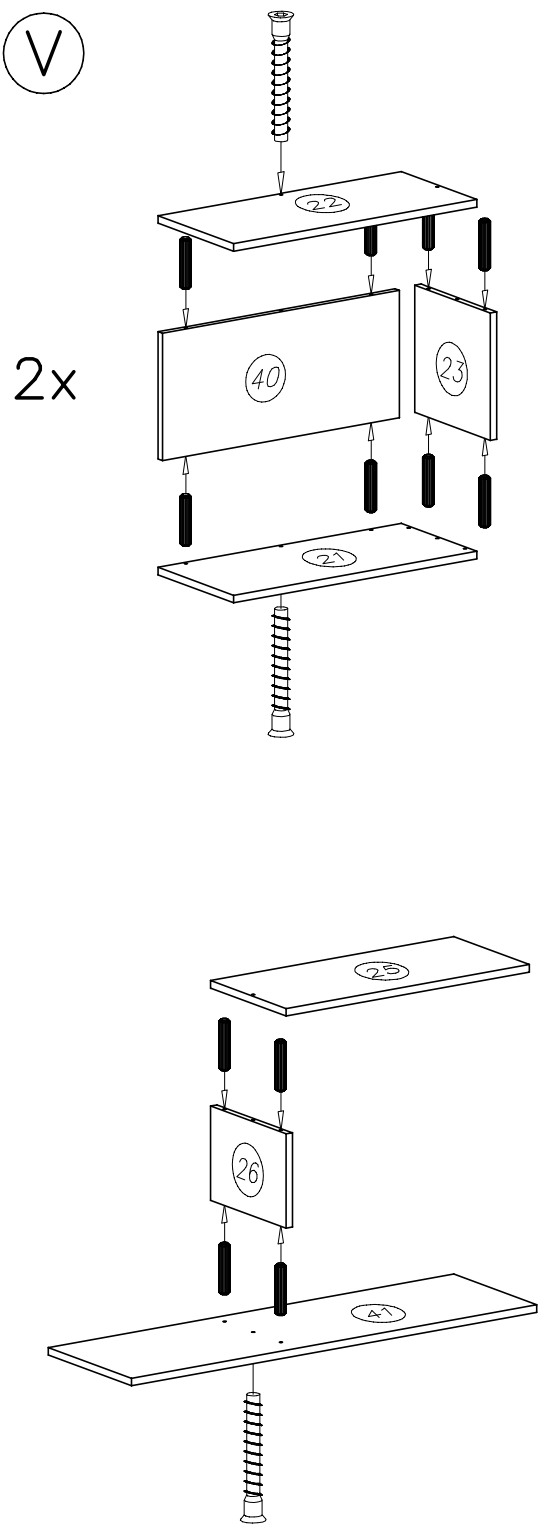
III



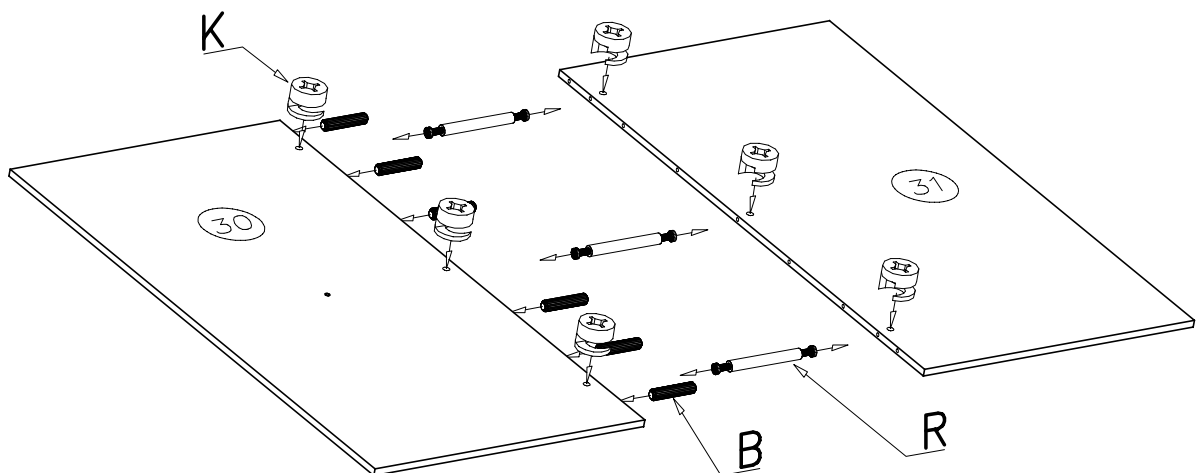
IV



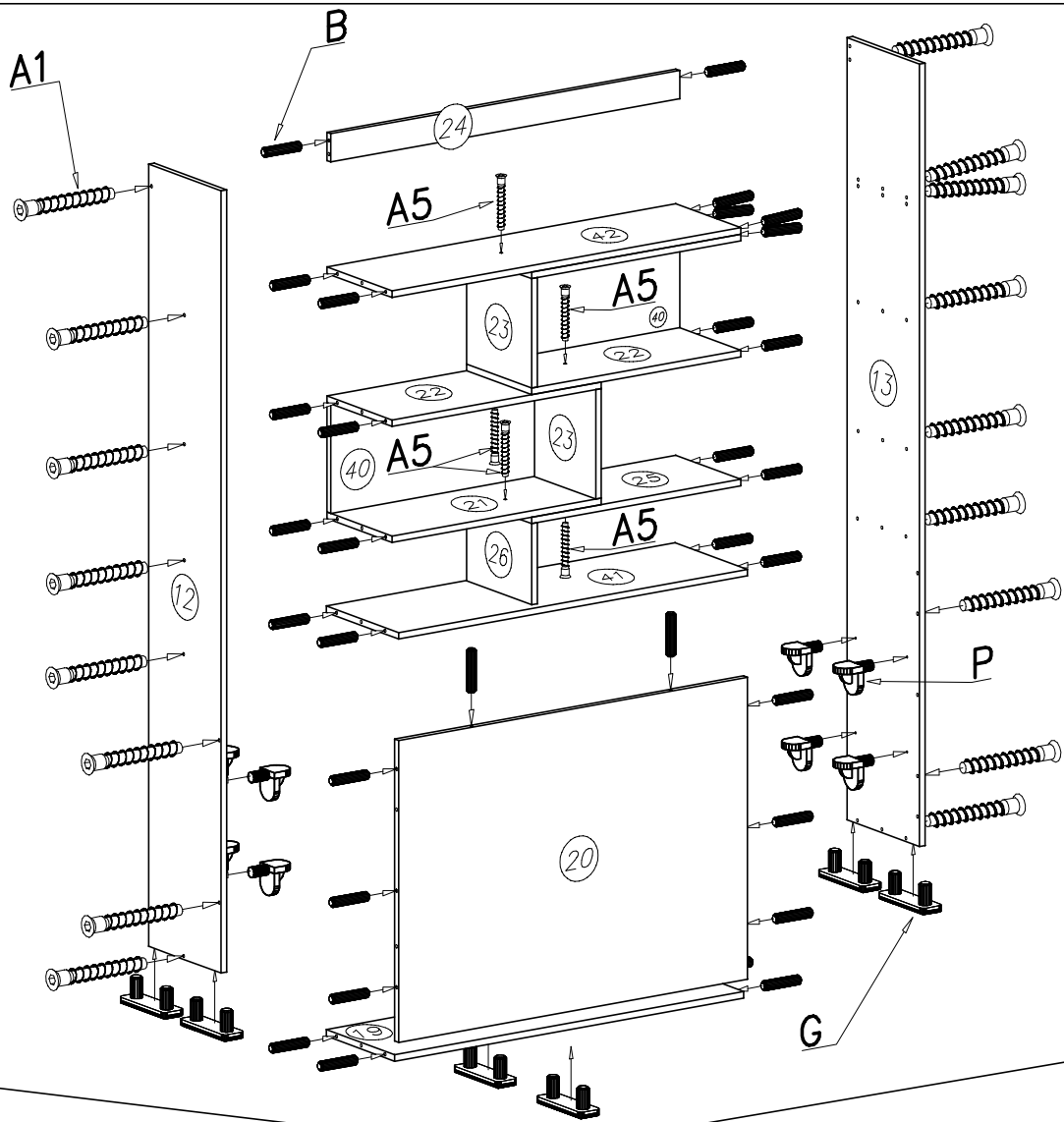
V



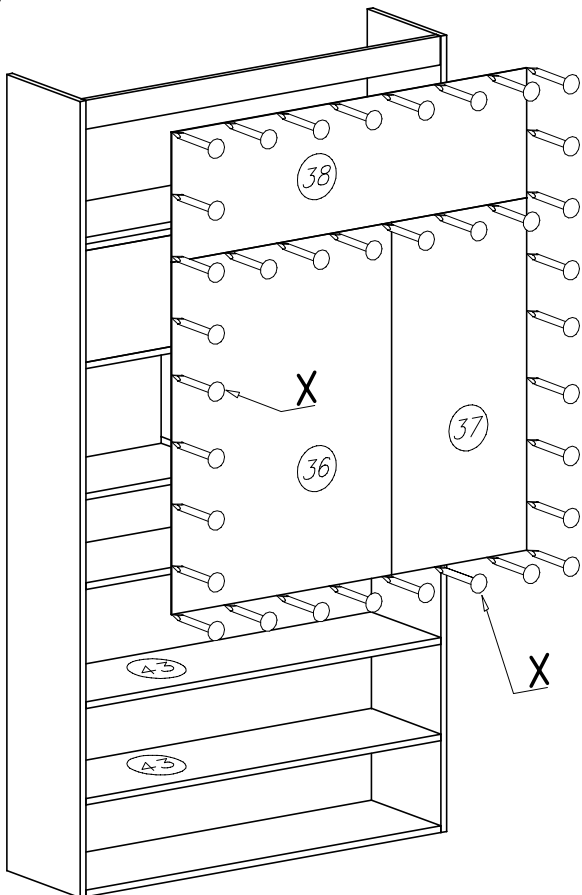
VI



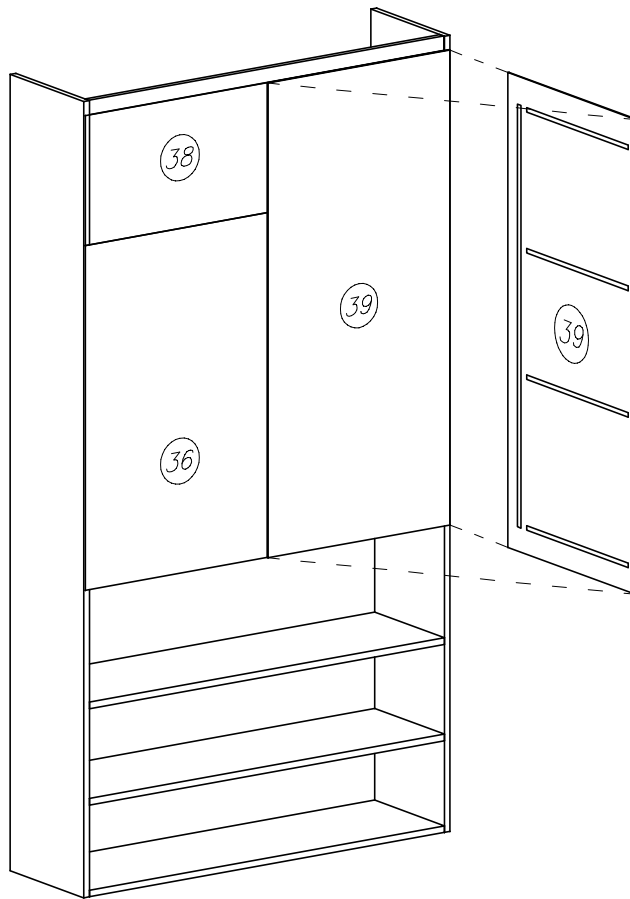
VII



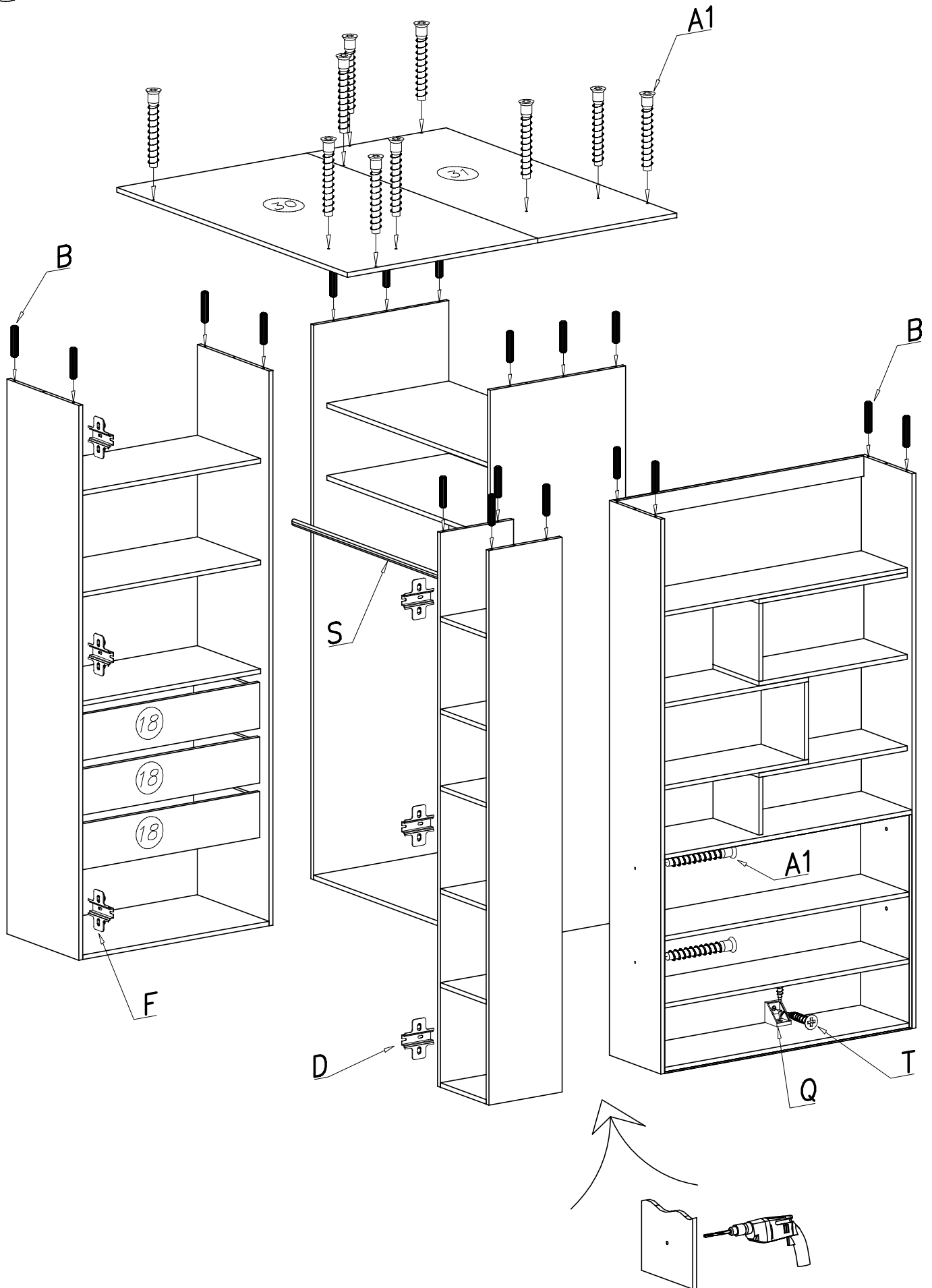
VIII



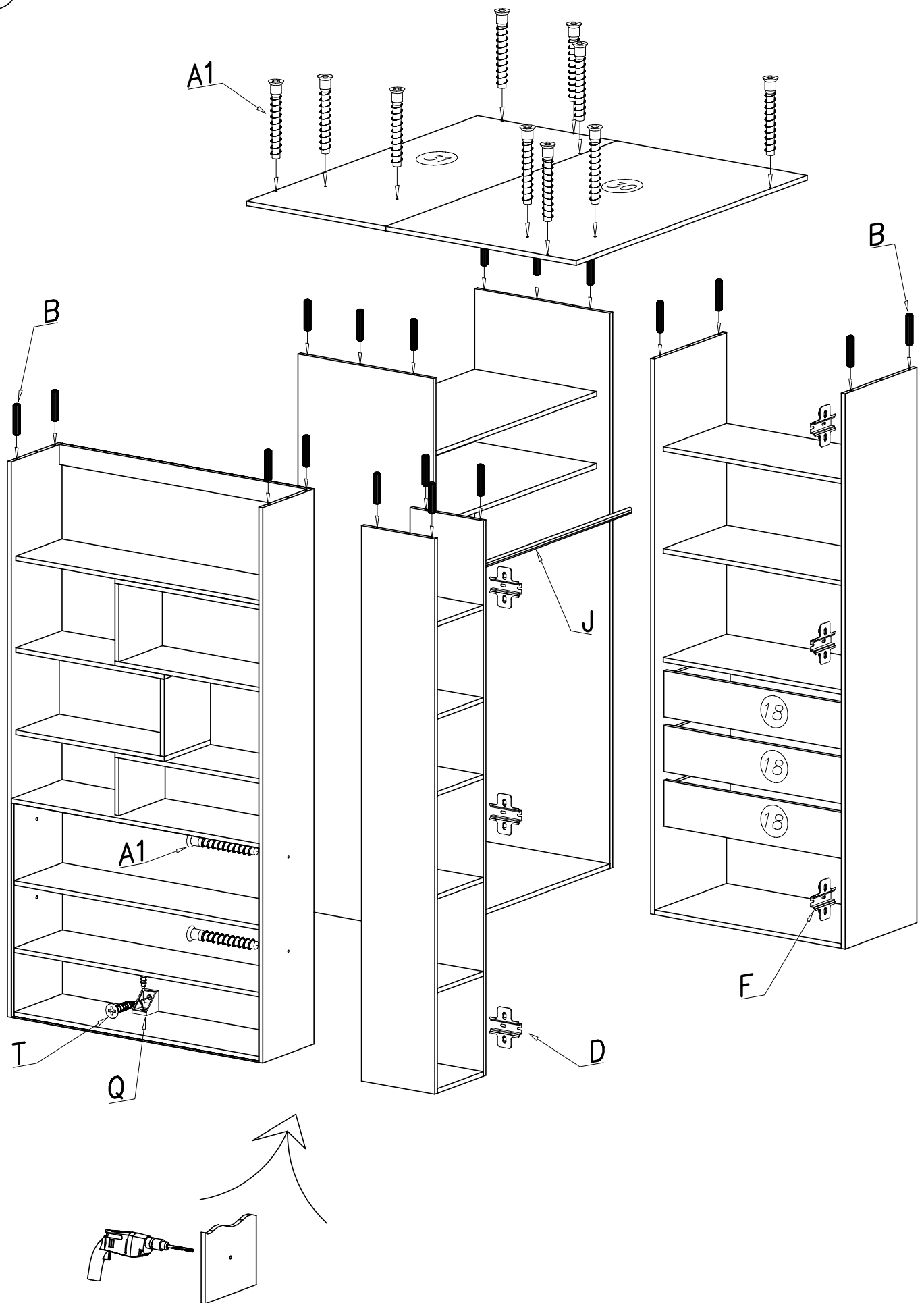
IX

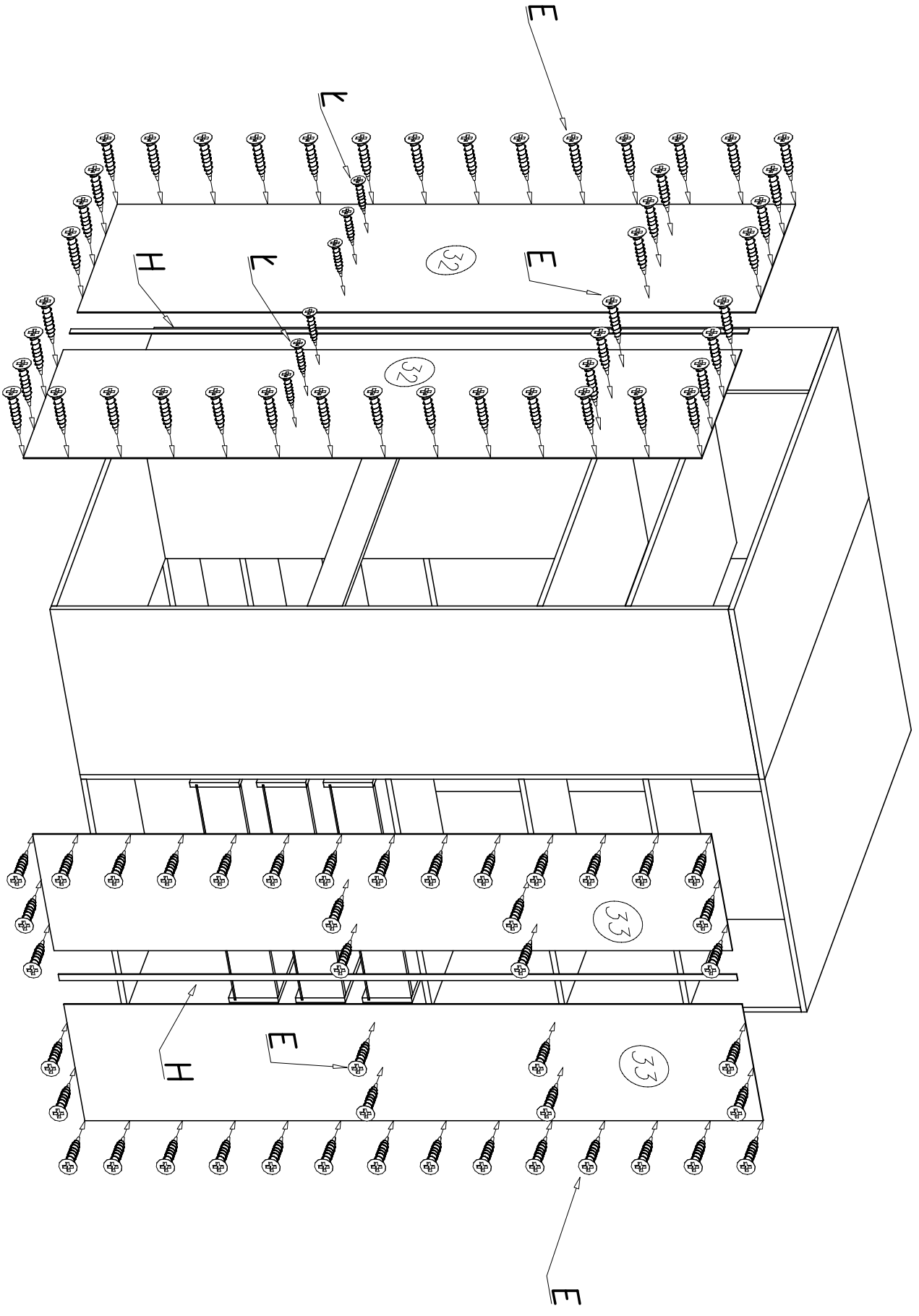


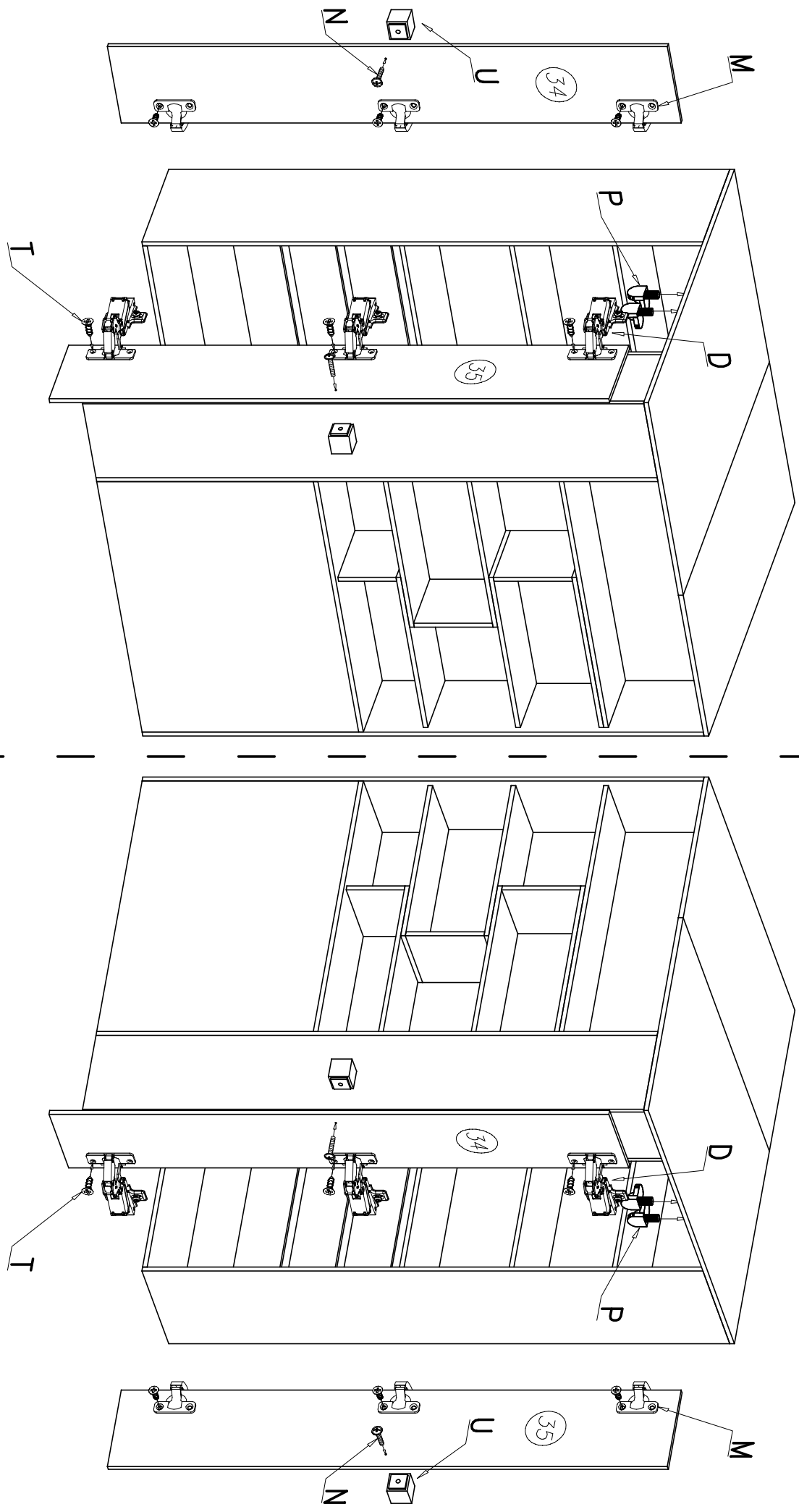
(X)

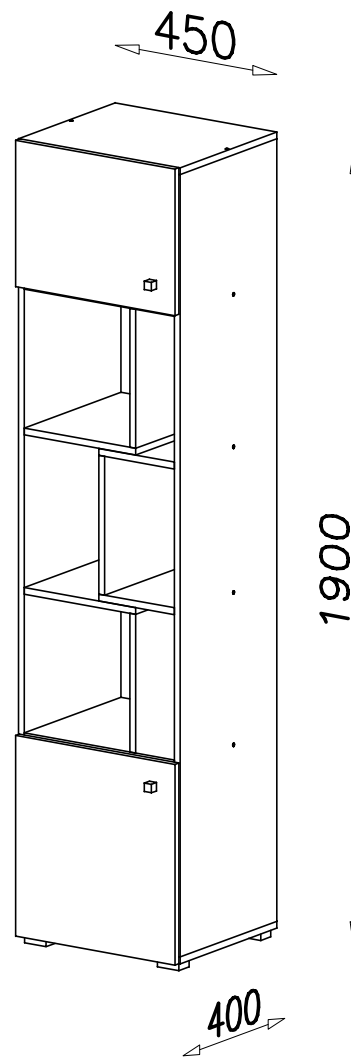
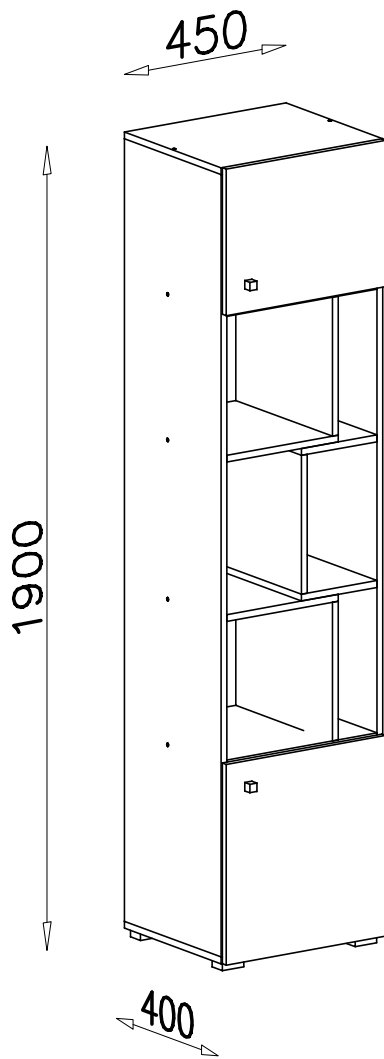
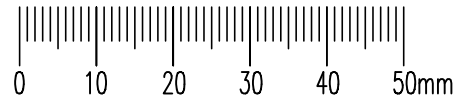
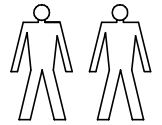
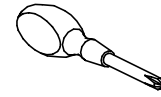
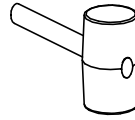
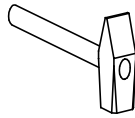
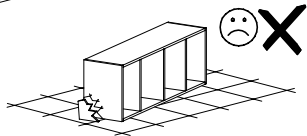
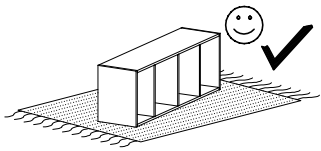


(XI)









E38



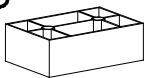
x2

W1



x2

P15



x4

G4



4x16

x8

G2



3x20

x40

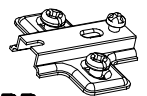
G12



3,5x25

x8

D3



PZ35PR

x4

A1



ø7x50

x18

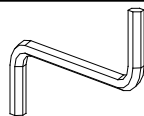
B7



ø8x30

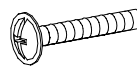
x40

W2



x1

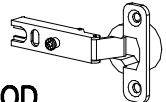
N13



M4x22

x2

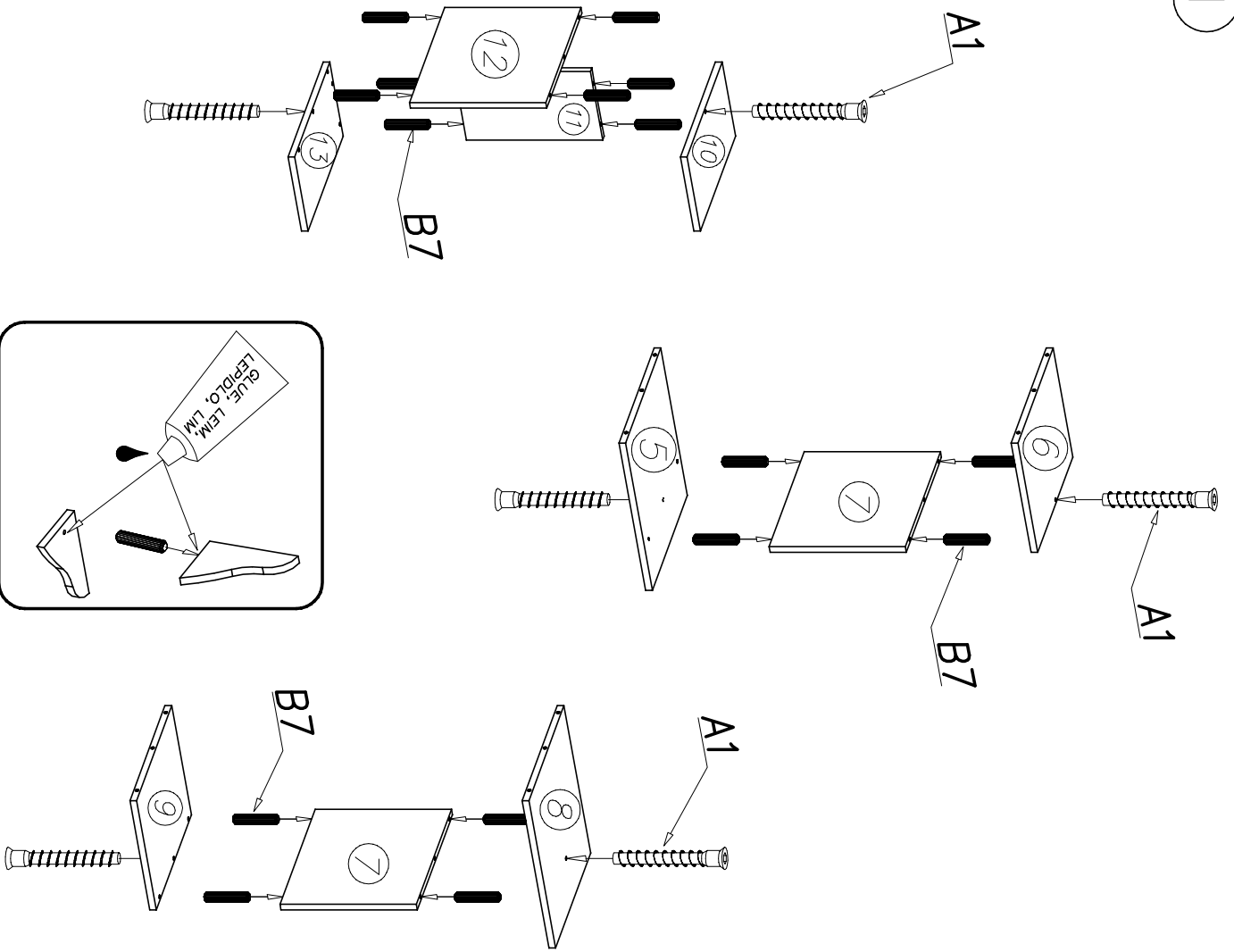
C3



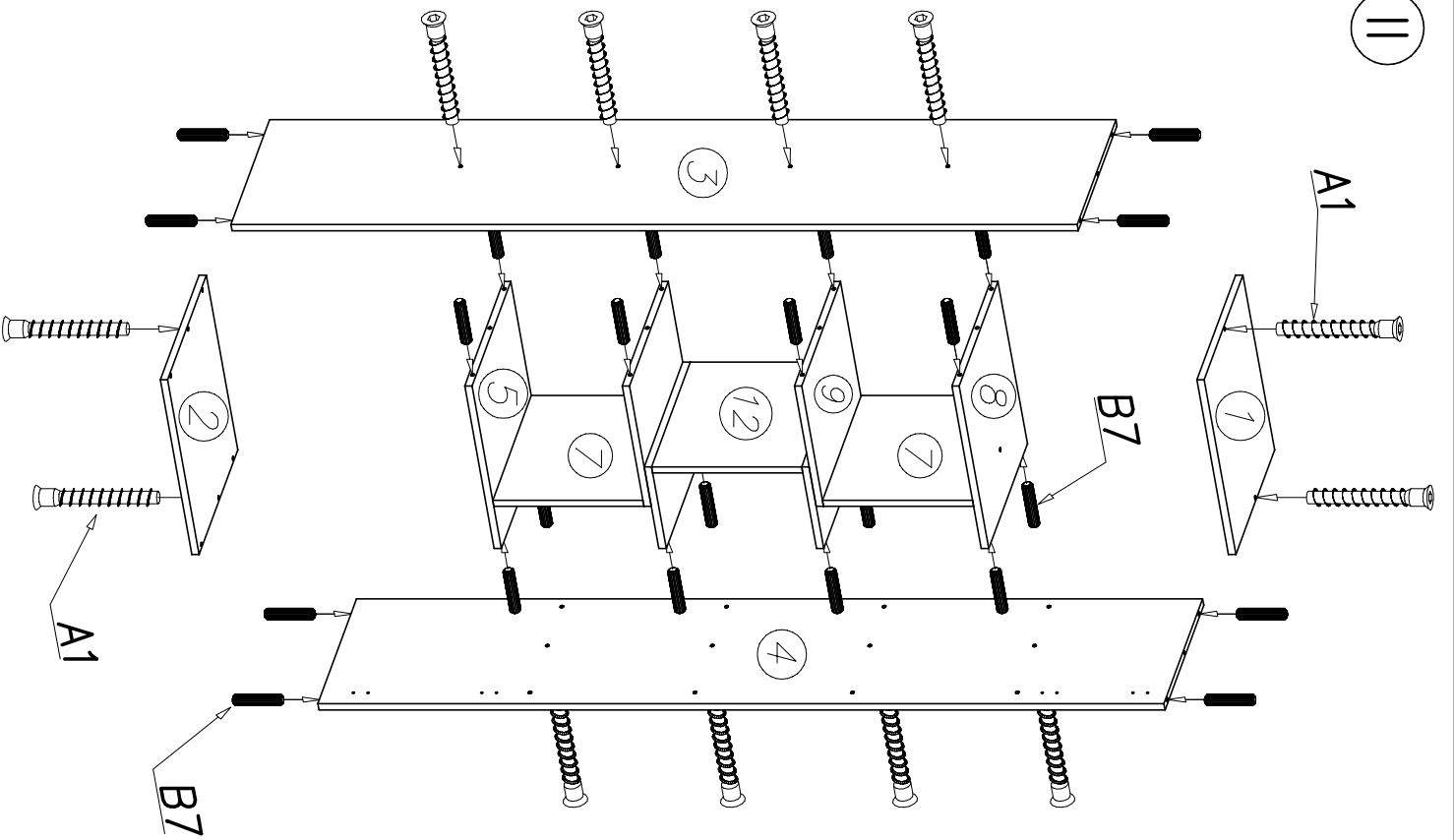
Z350D

x4

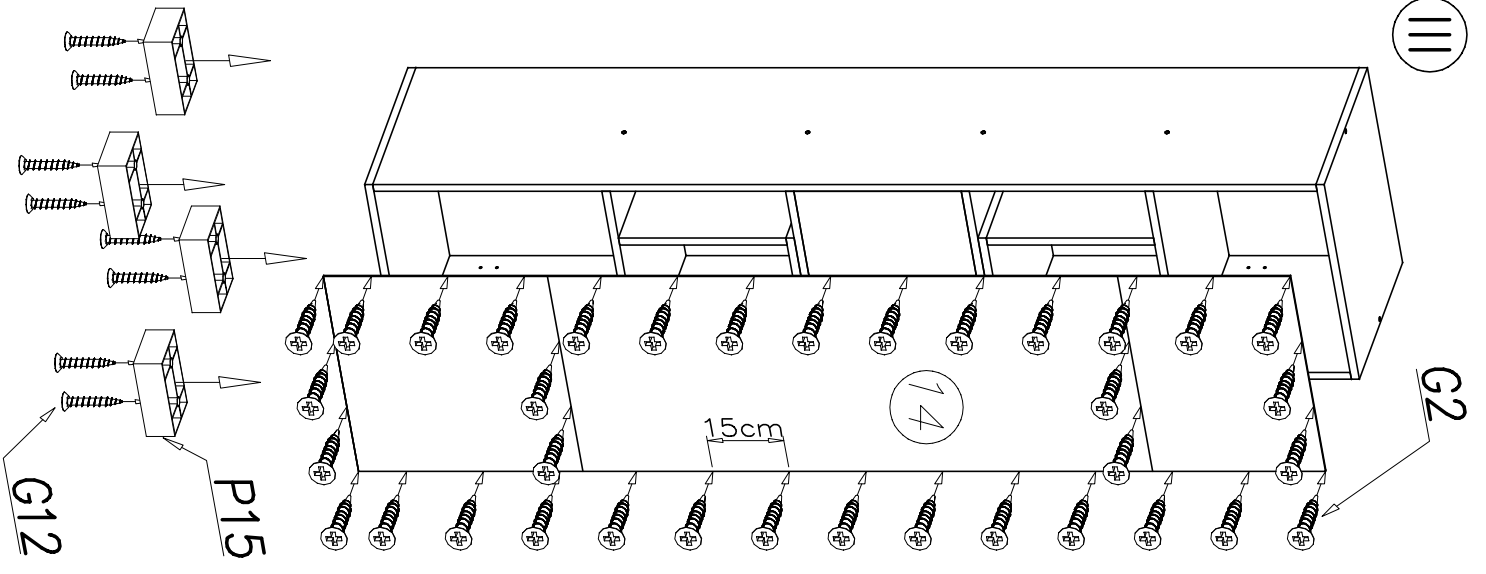
1



11



III



IV

