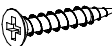



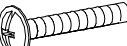


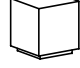

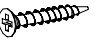
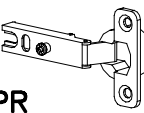


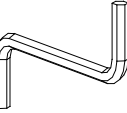
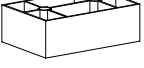

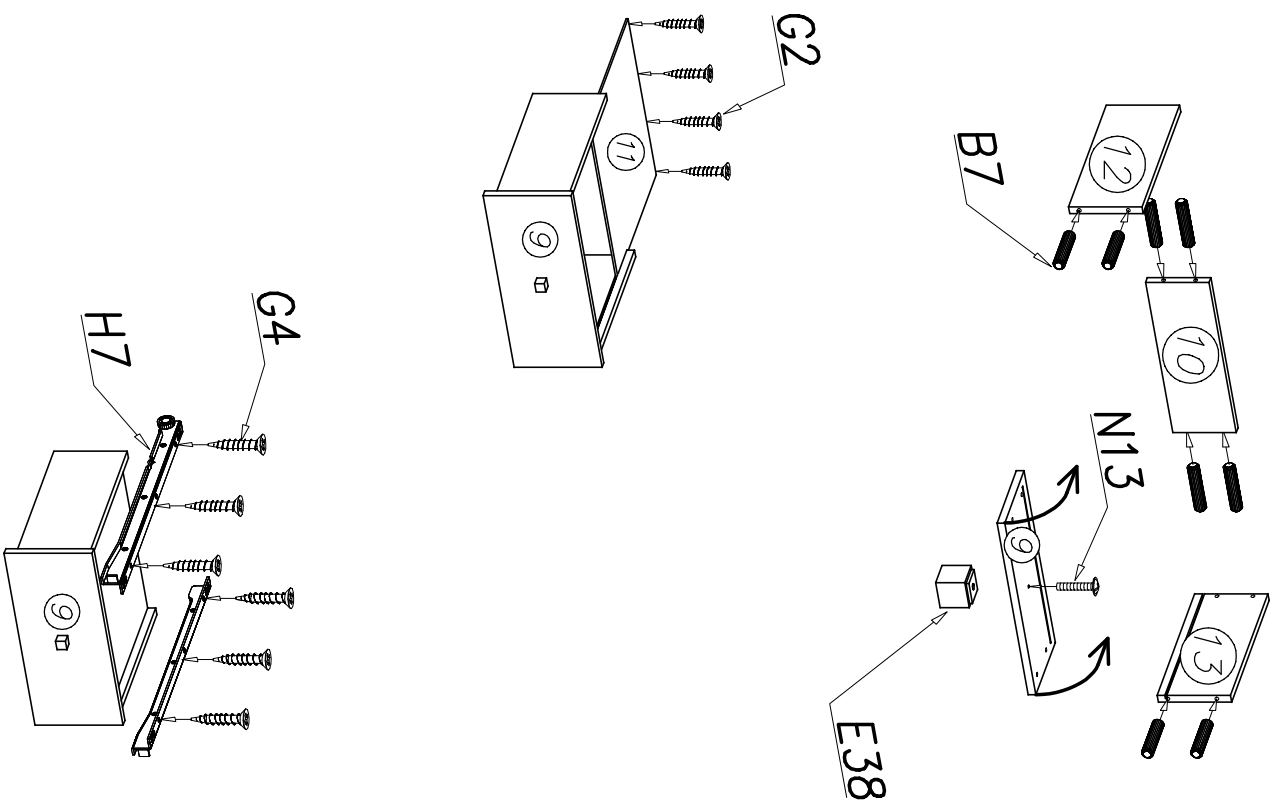


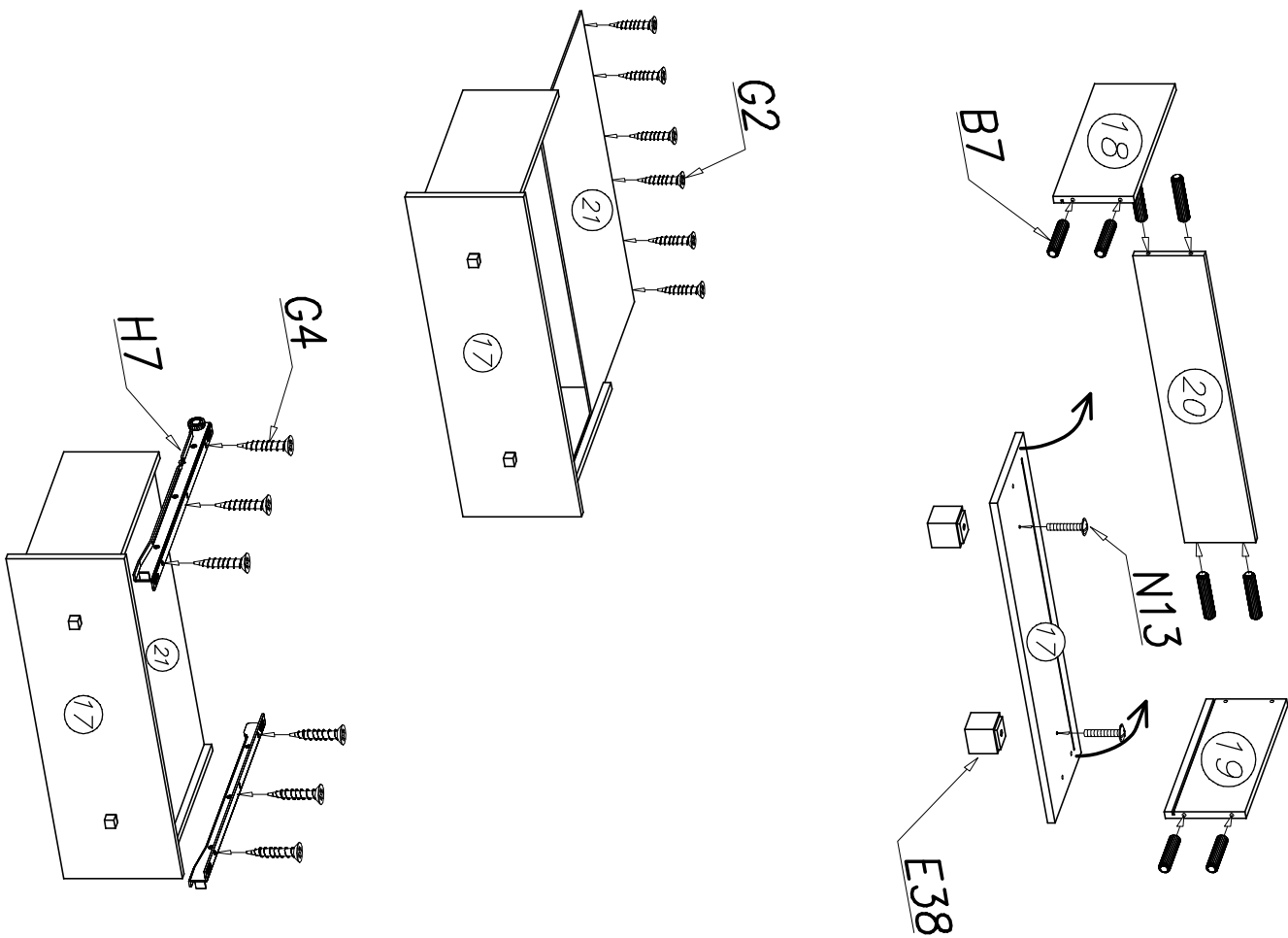
|                                                                                                          |                                                                                                        |                                                                                                         |                                                                                                          |                                                                                                          |  |
|----------------------------------------------------------------------------------------------------------|--------------------------------------------------------------------------------------------------------|---------------------------------------------------------------------------------------------------------|----------------------------------------------------------------------------------------------------------|----------------------------------------------------------------------------------------------------------|--|
| G12<br><br>3,5x25 x10 | A5<br><br>ø7x60 x2  |                                                                                                         |                                                                                                          |                                                                                                          |  |
| S2<br><br>x8          | W1<br><br>x4        | N13<br><br>M4x22 x10 | D3<br><br>PZ35PR x2 | H7<br><br>x5        |  |
| E38<br><br>x10        | G4<br><br>4x16 x34  | G2<br><br>3x20 x60   | C3<br><br>Z35PR x2  | 350mm x5                                                                                                 |  |
| A1<br><br>ø7x50 x11   | B7<br><br>ø8x30 x76 | W2<br><br>x1         | P15<br><br>x5       | G10<br><br>6x13 x20 |  |



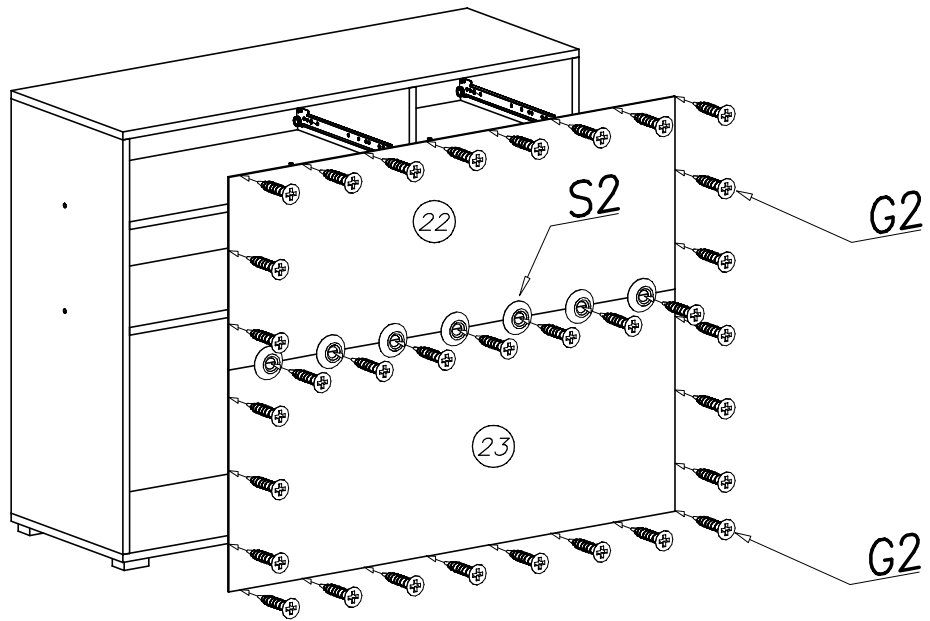
IV



V



VI



VII

