
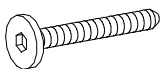
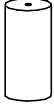

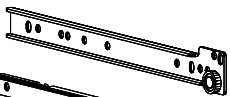
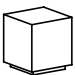


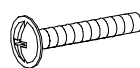

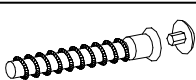

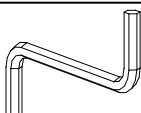




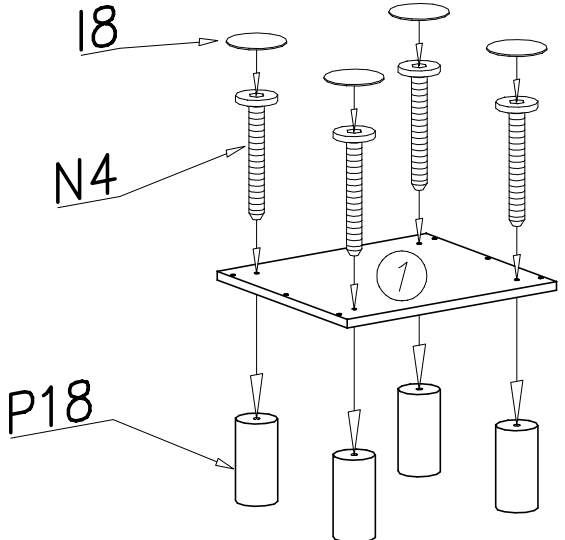
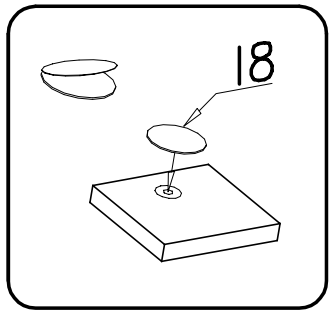
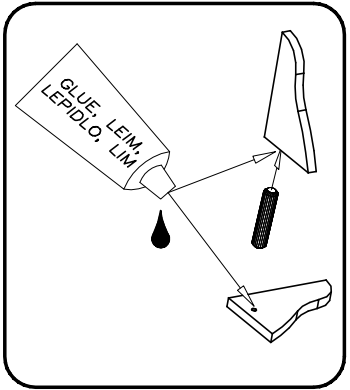
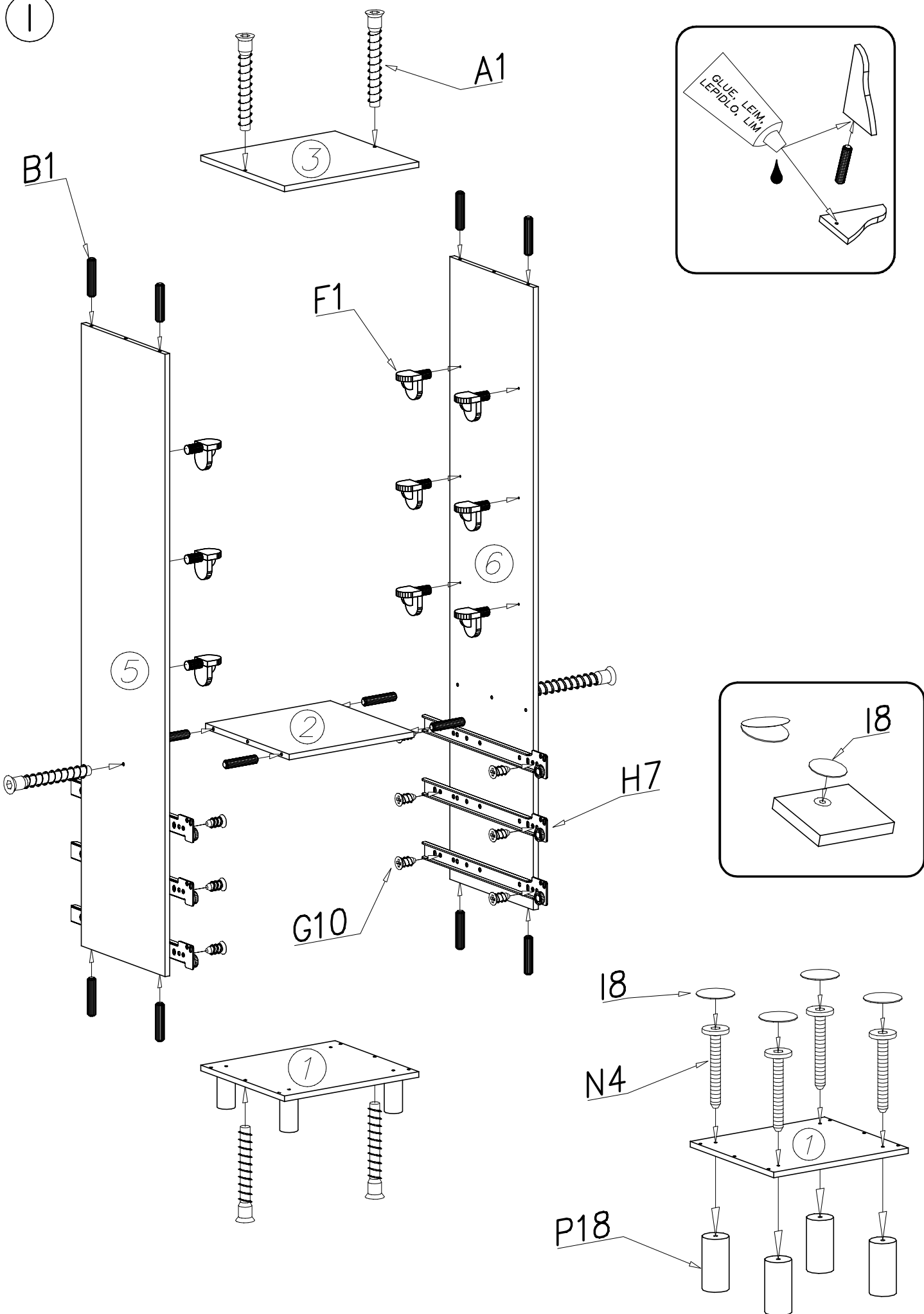
1900

450

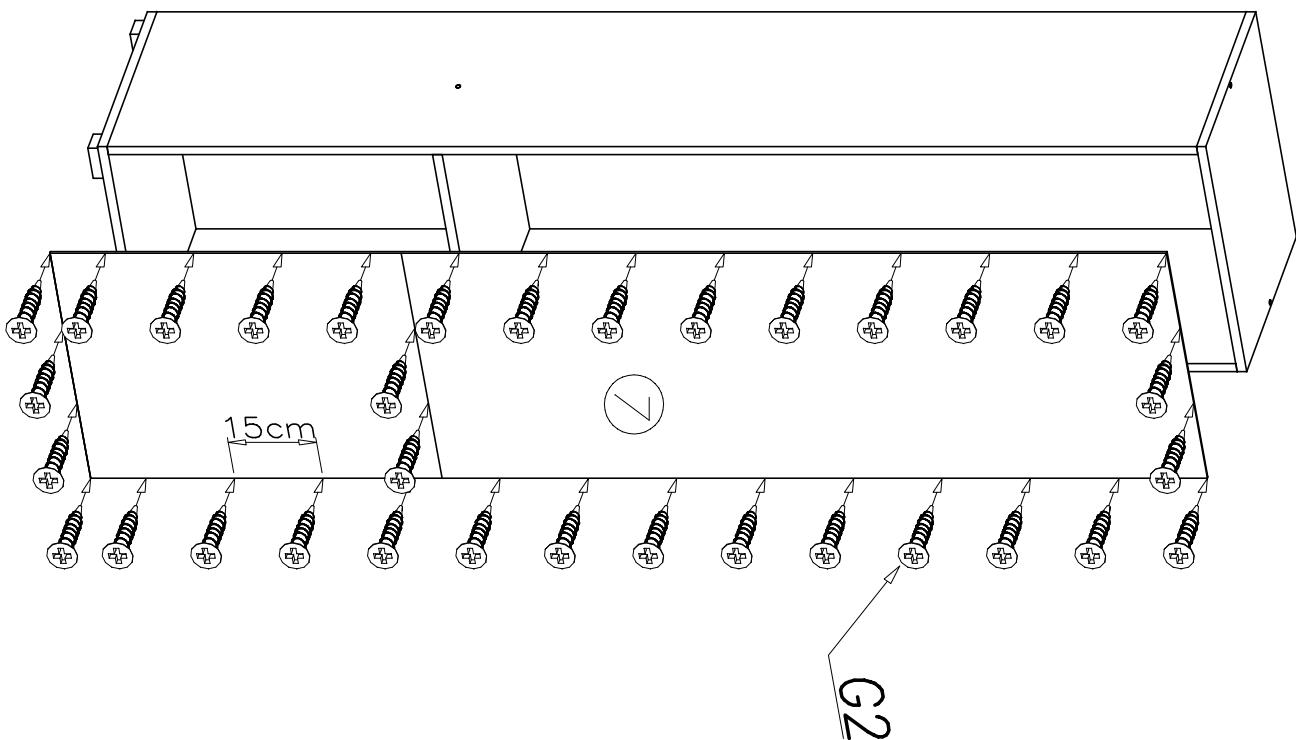
400

I8  ø20 x4	N4  M6x40 x4	P18  100mm x4	W1  GLUE, LEIM, LEPIDLO, LIM x2	H7  350mm x3
E38  x3	G4  4x16 x18	G2  3x20 x45	N13  M4x22 x3	H7  350mm x3
A1  ø7x50 x6	B7  ø8x30 x36	W2  x1	F1  x12	G10  6x13 x12

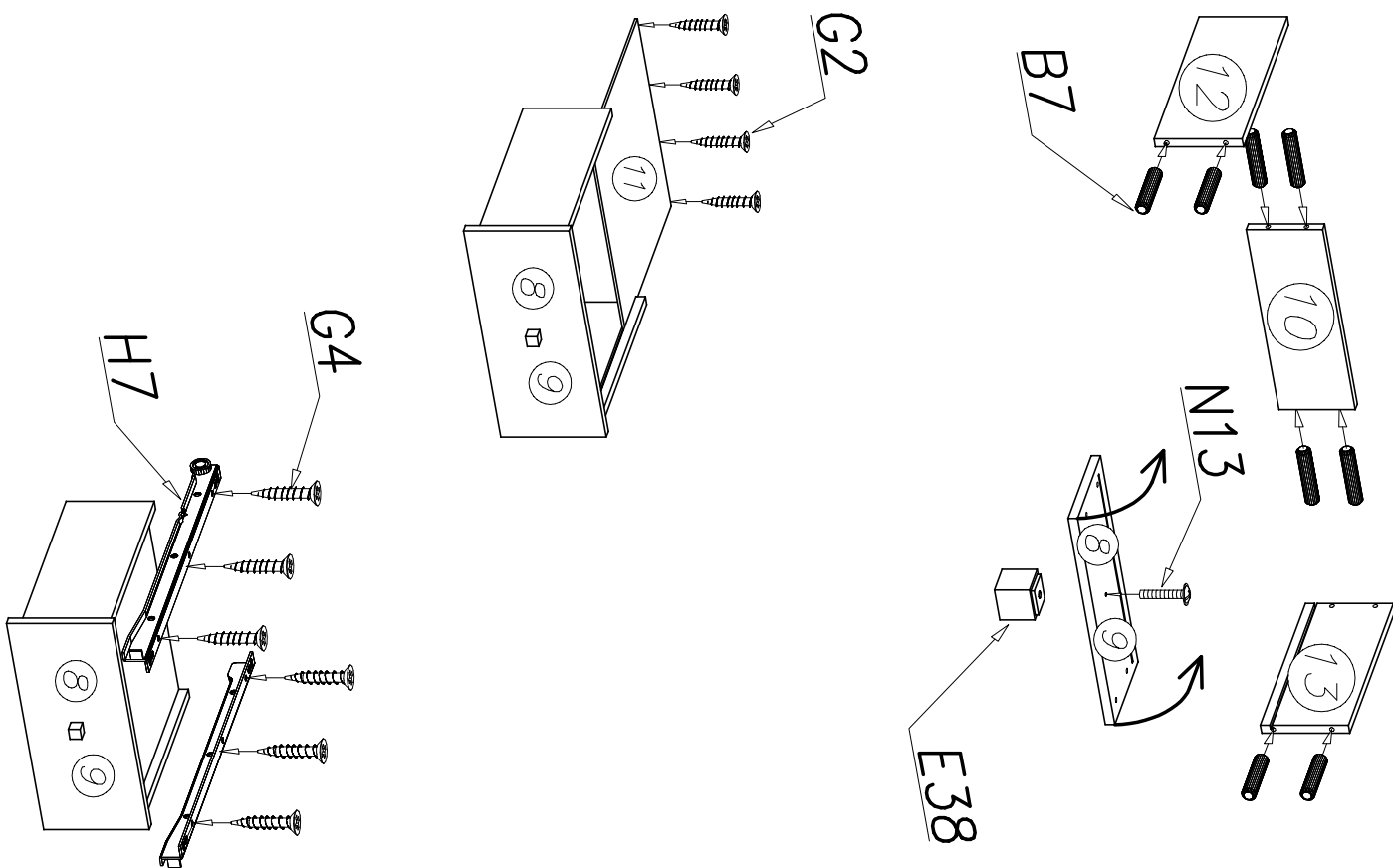
1



II



III



IV

