

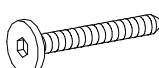



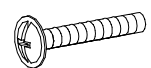
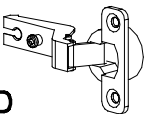
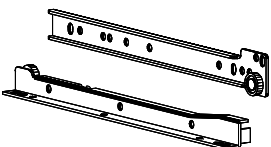
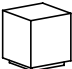

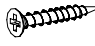
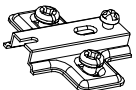


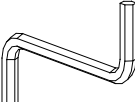


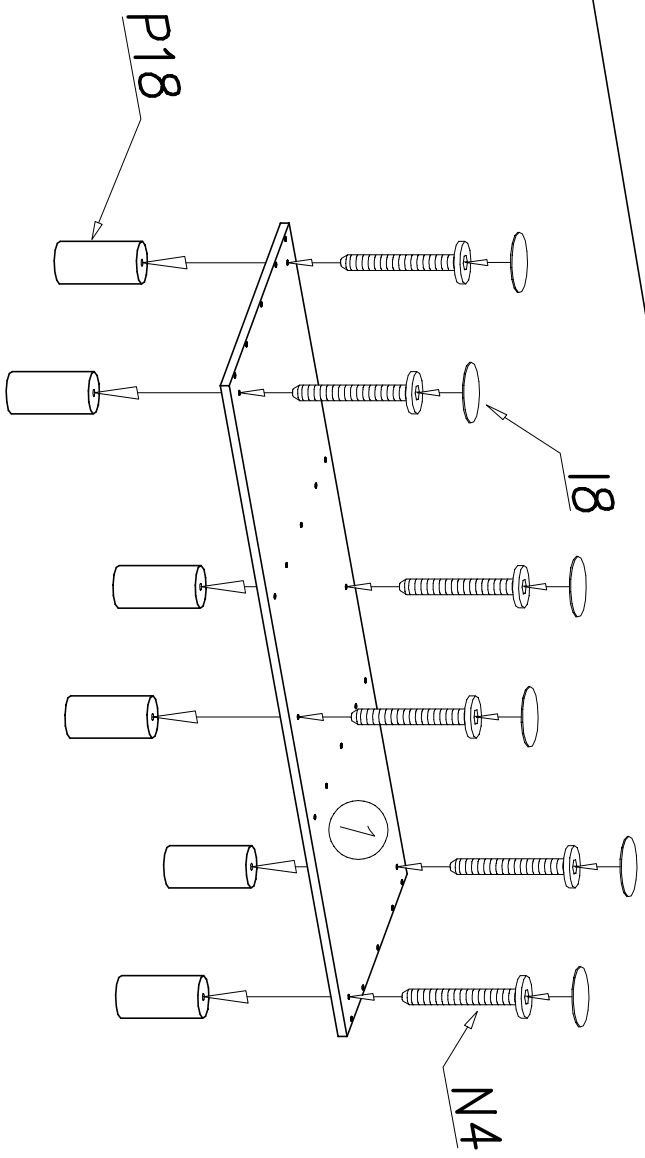
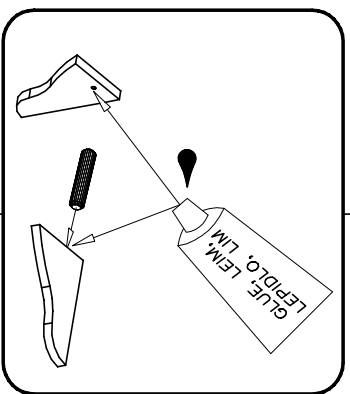
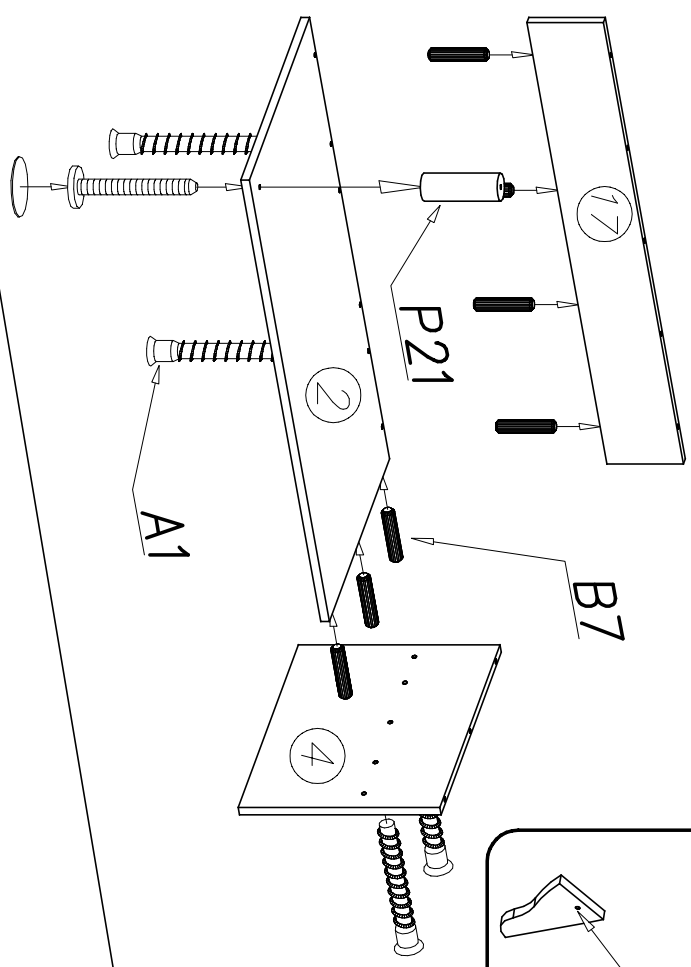
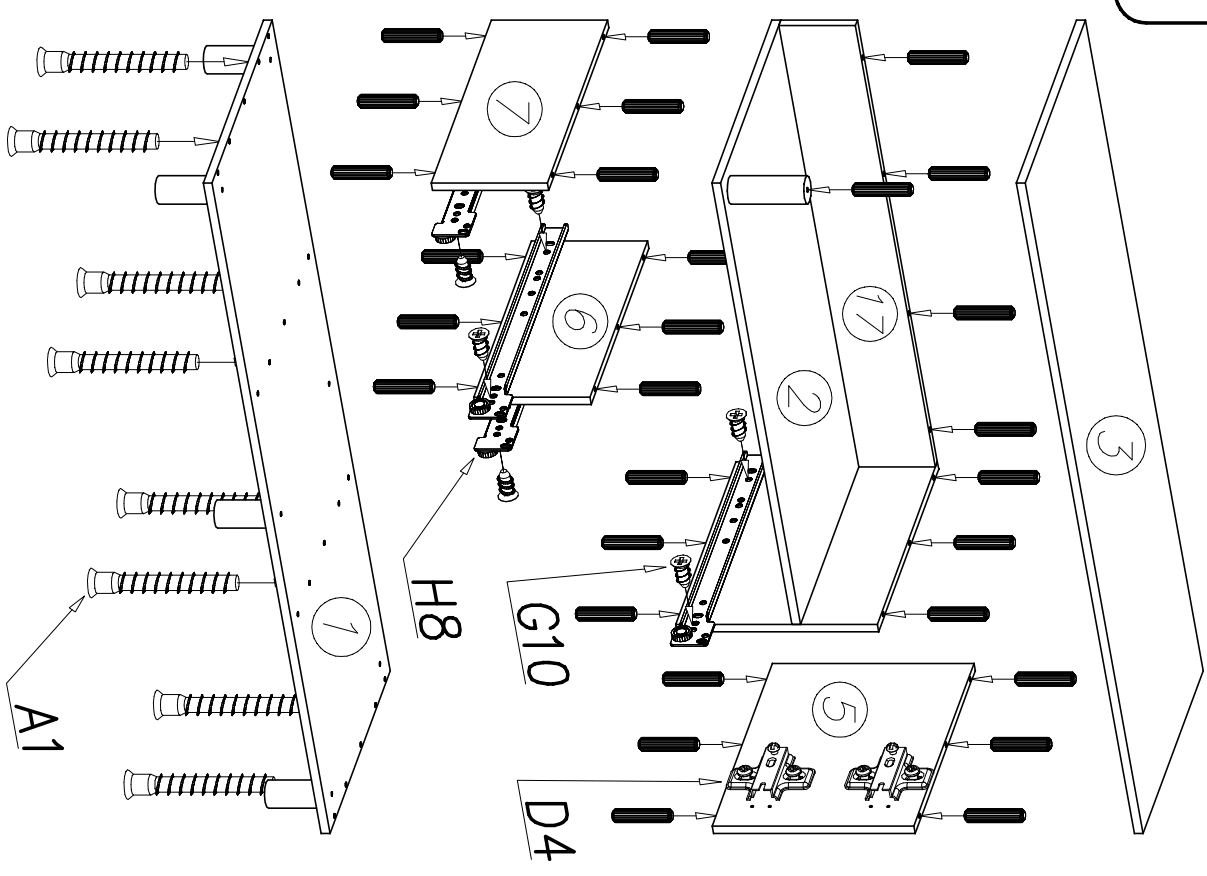


P21  140mm x1	I8  ø20 x7	N4  M6x40 x7	F1  x1	
P18  100mm x6	W1  GLUE, LEIM, LEPIDLO, LIM x3	N13  M4x22 x3	C4  Z350D x2	H8  400mm x2
E38  x3	G4  4x16 x16	G2  3x20 x35	D4  PZ350D x2	
A1  ø7x50 x10	B7  ø8x30 x52	W2  x1	S2  x3	G10  6x13 x8

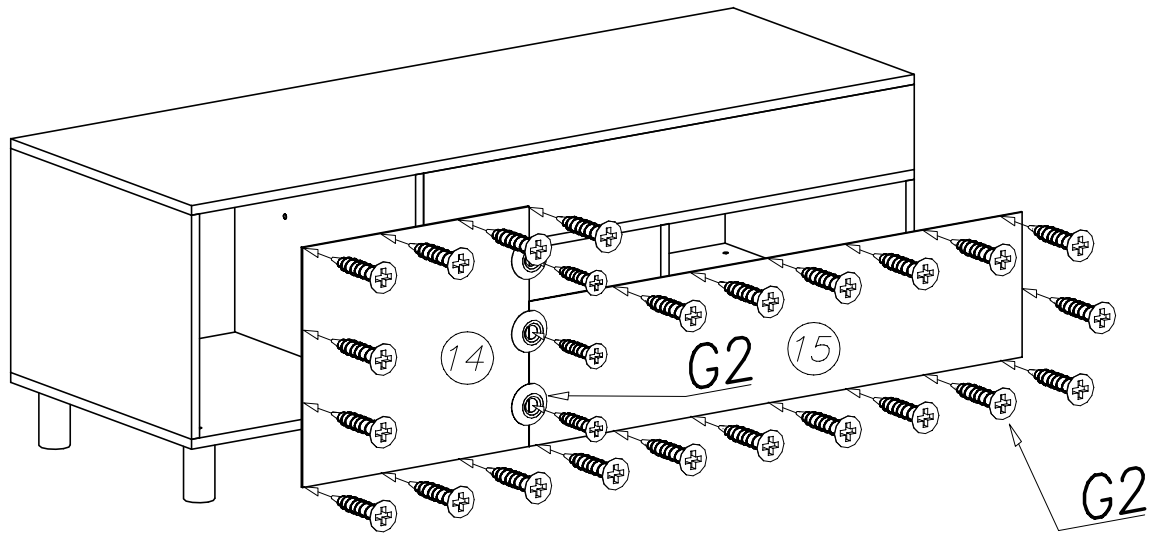
I



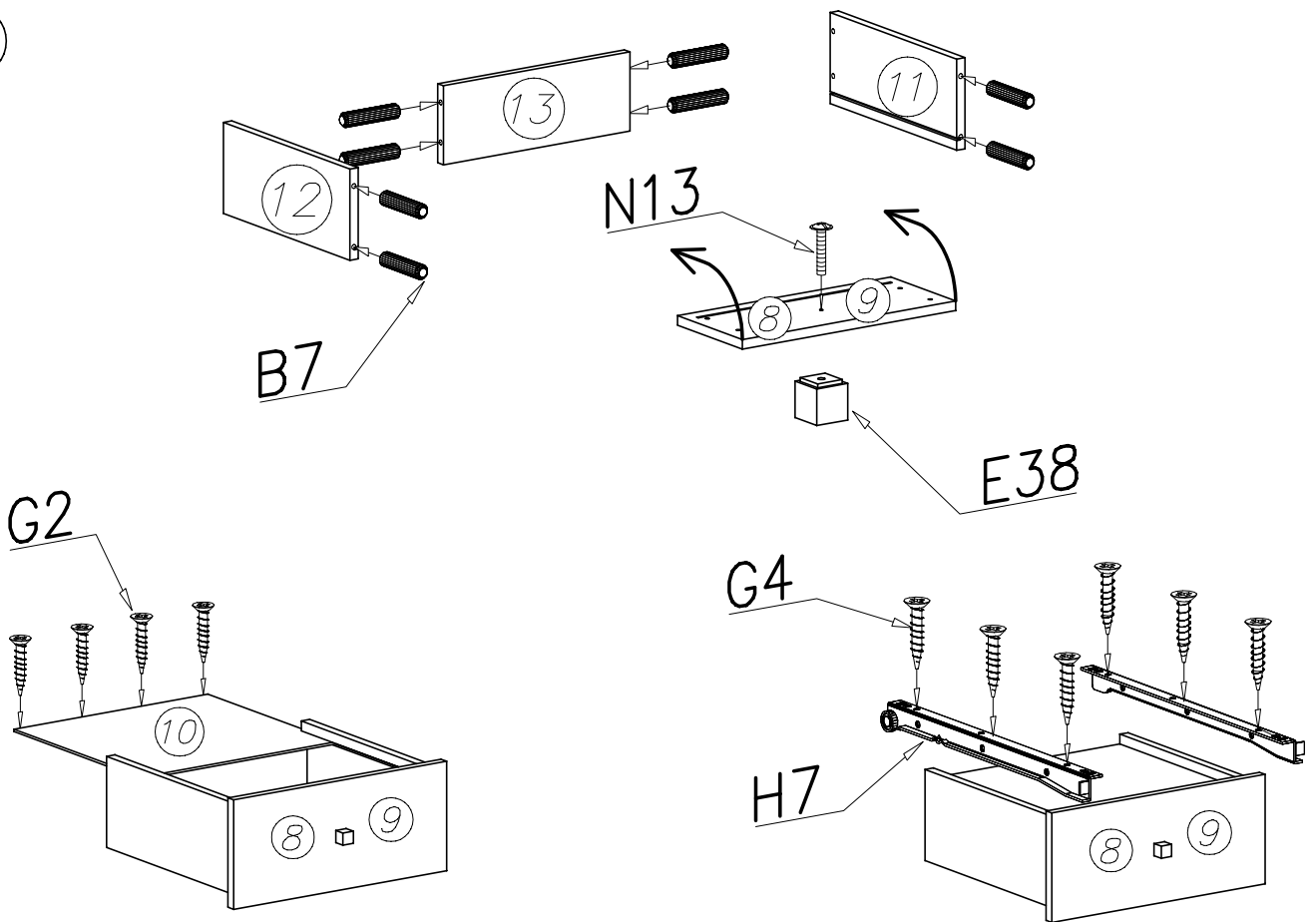
II



III



IV



V

