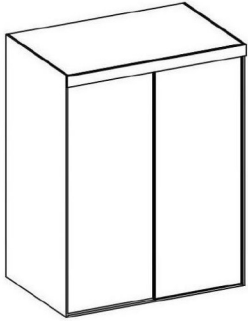
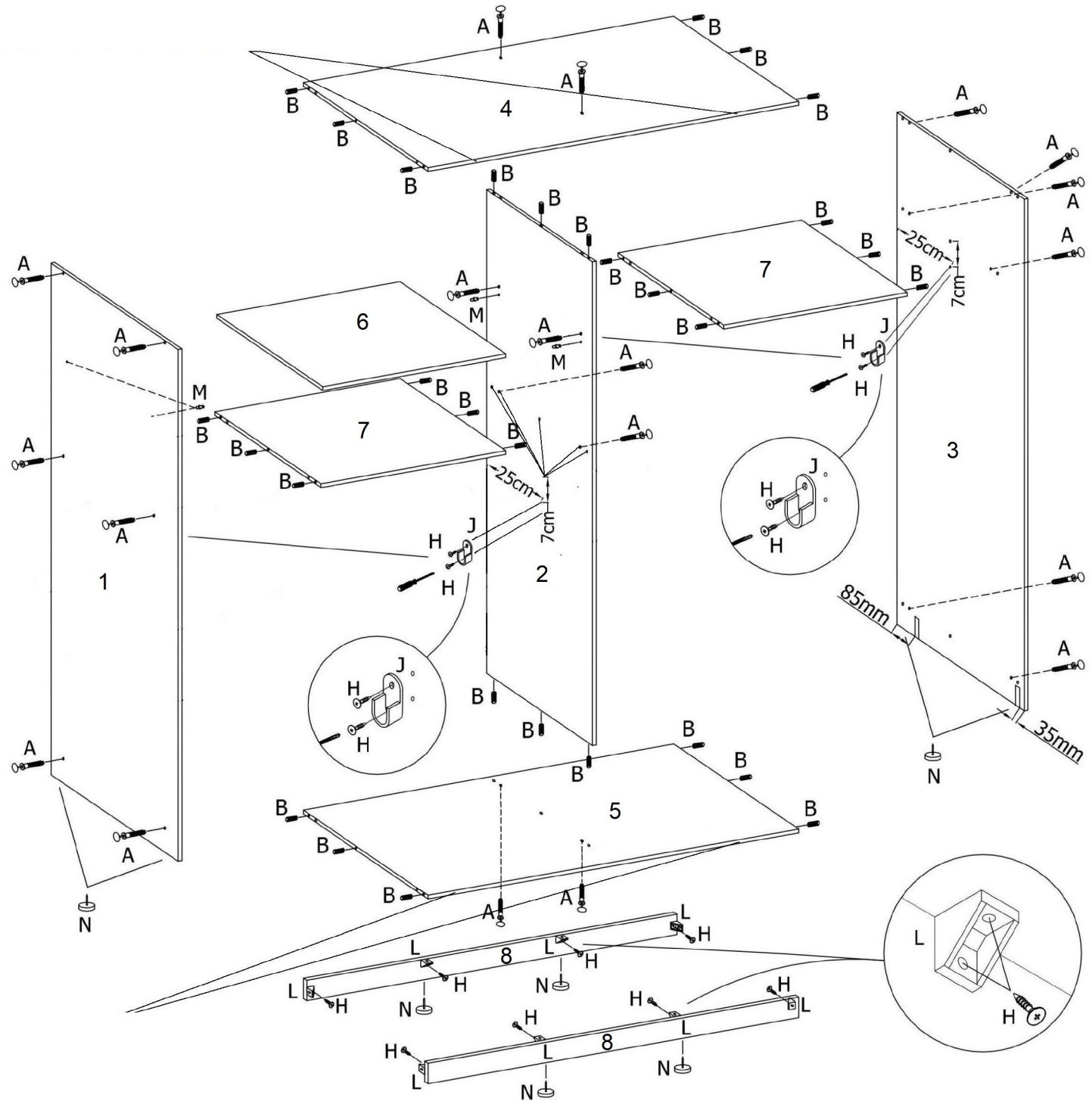


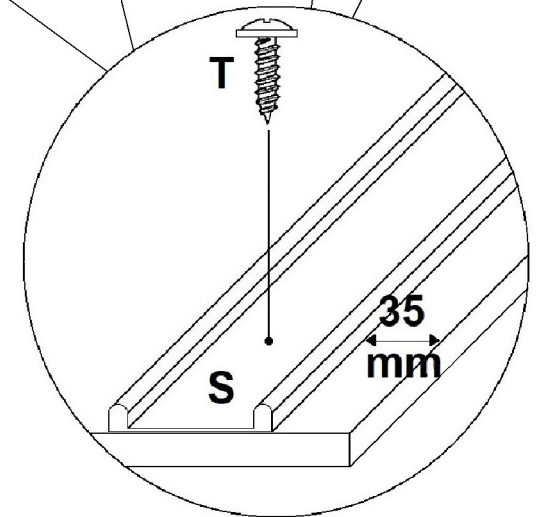
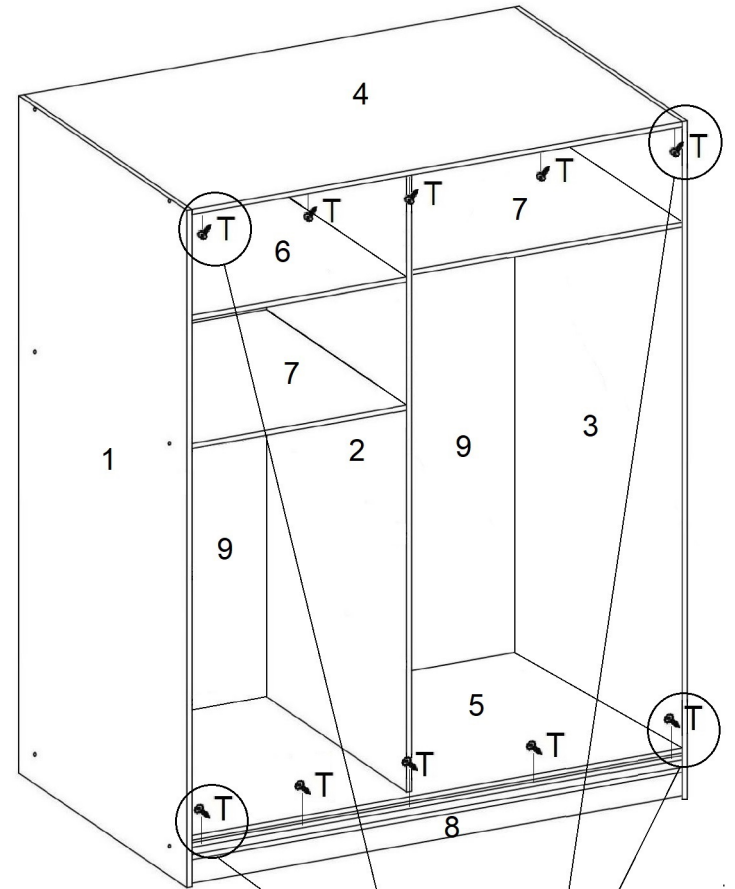
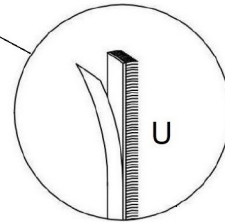
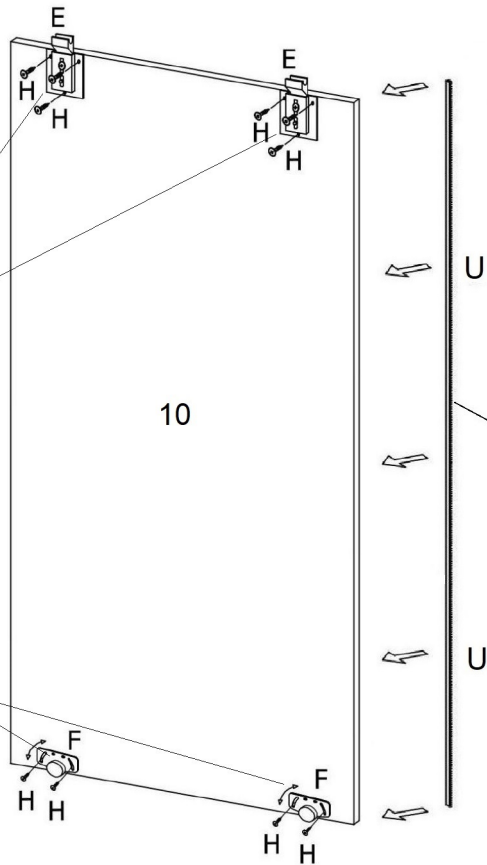
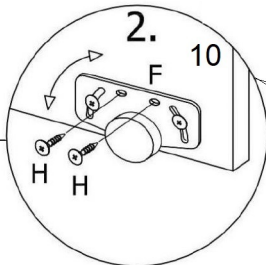
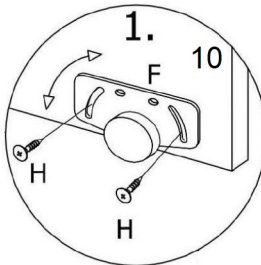
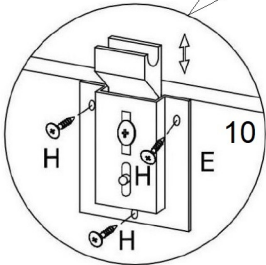
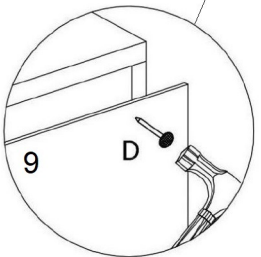
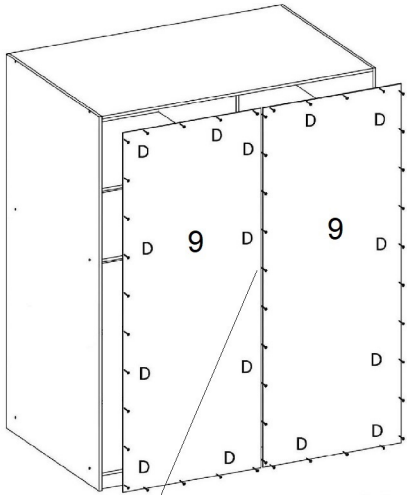
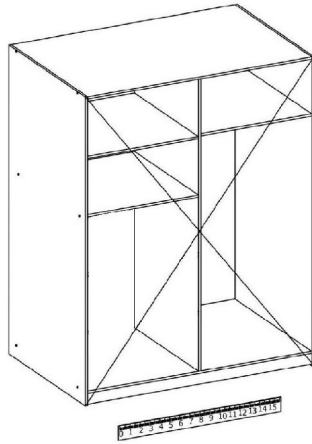
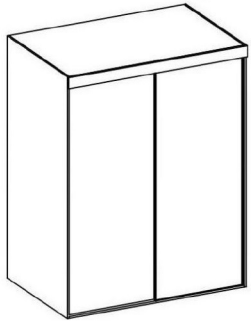
167



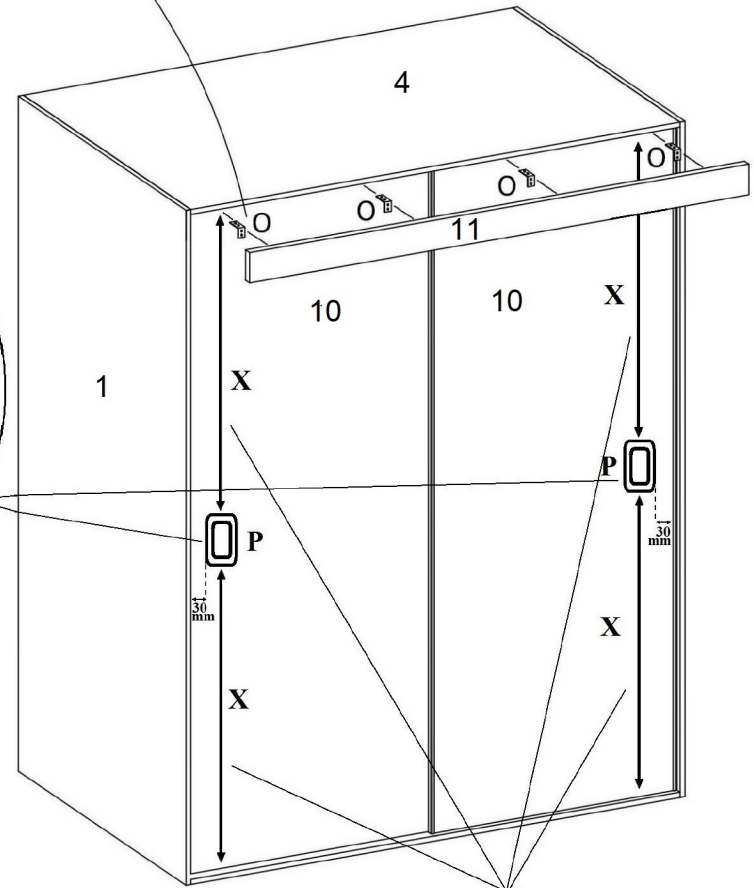
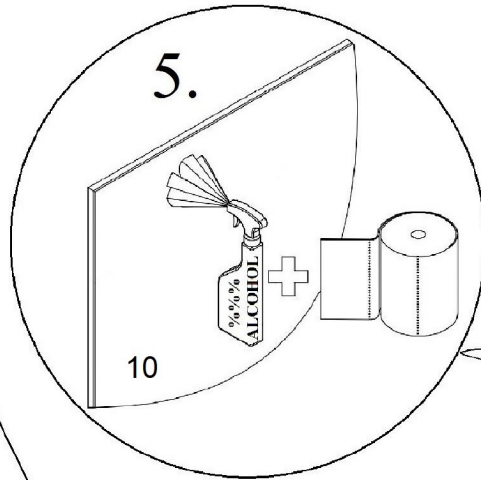
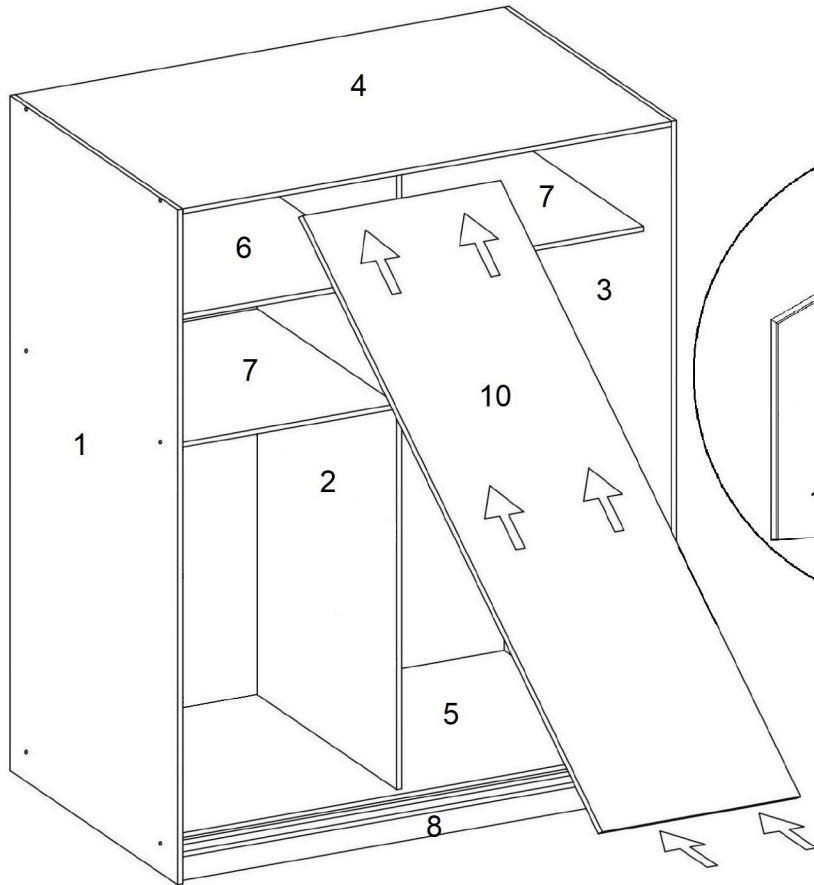
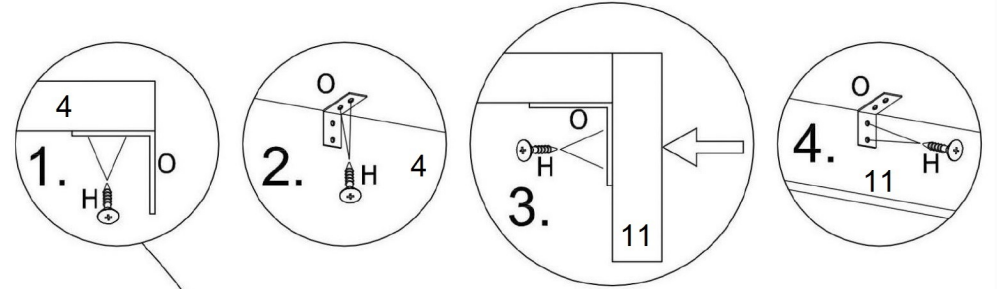
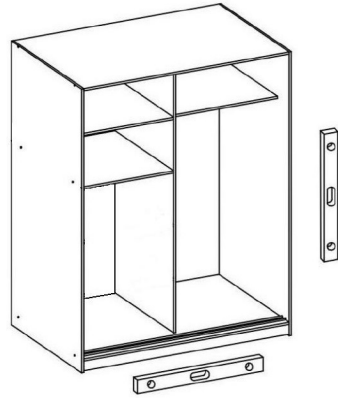
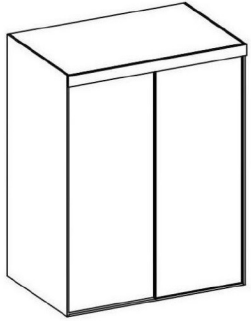
20	30	1	100-110
		4.0x13mm	
4	4		
4	4	68	4
2	8	4	8
4	2	2	4.2x13
4			



167



167



X = X

167

