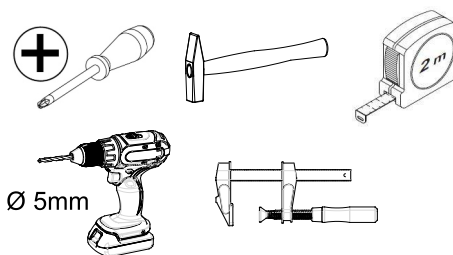
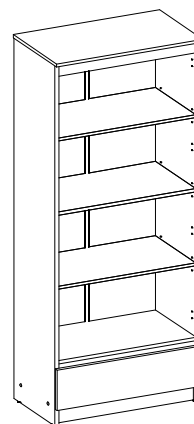


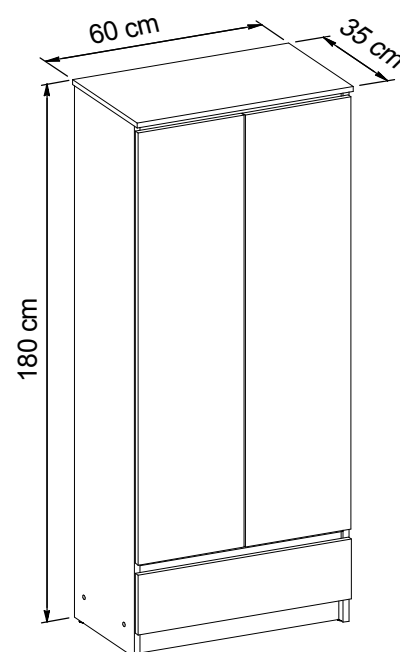
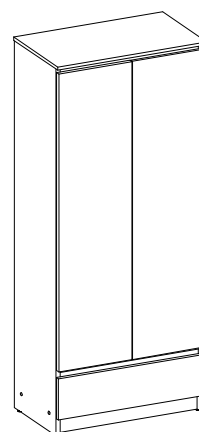
~120min

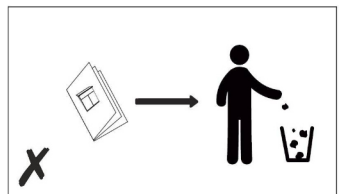
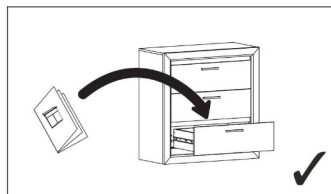
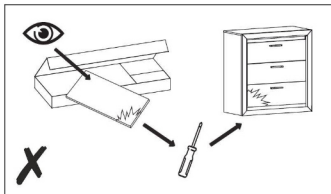
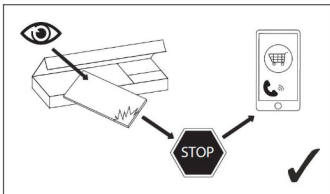
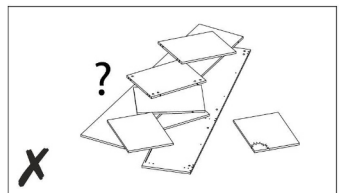
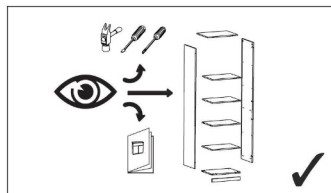
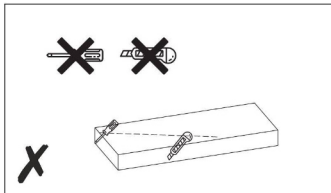
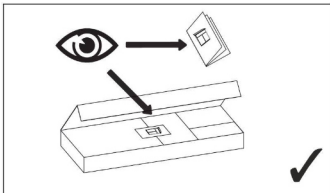


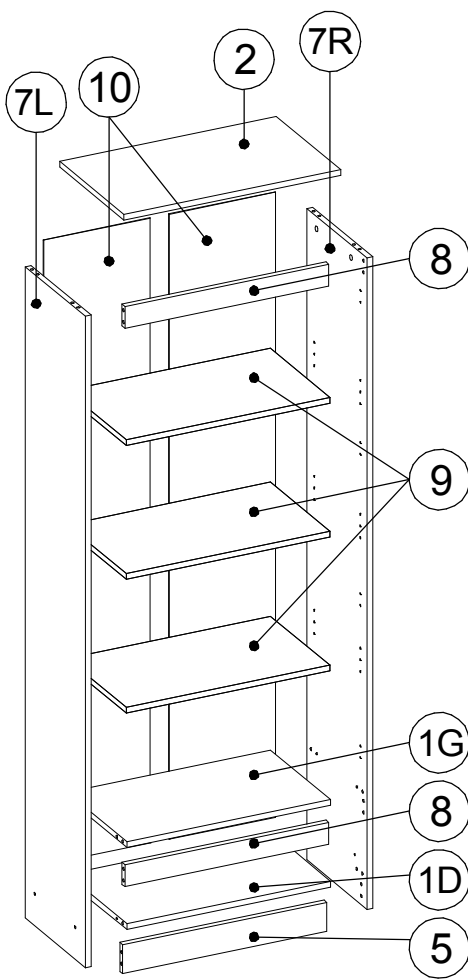
**R-60 SZ1 P4**



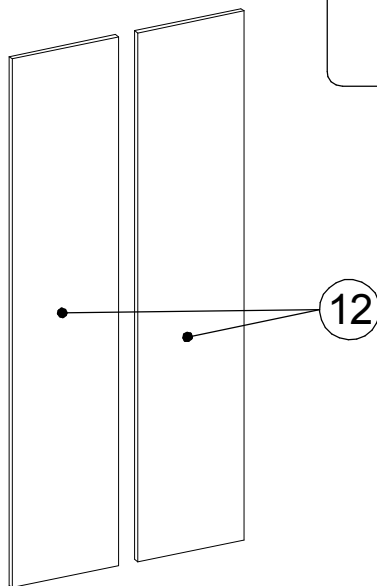
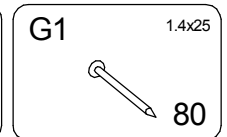
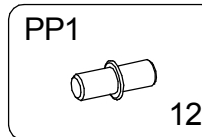
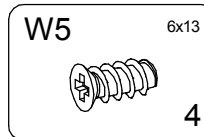
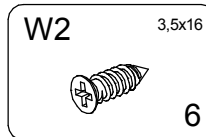
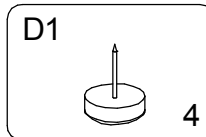
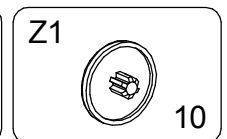
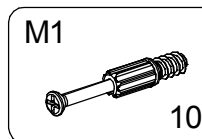
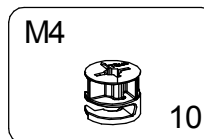
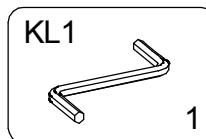
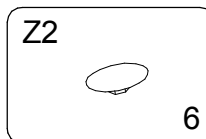
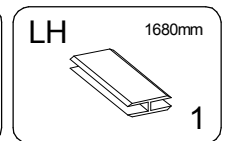
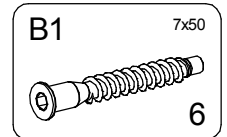
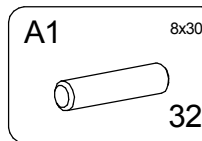
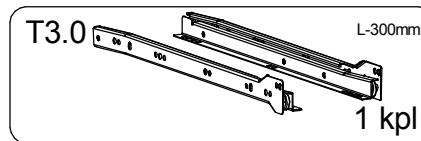
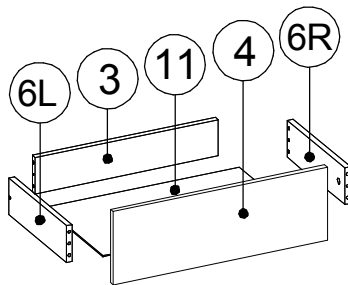
**R-60 D2 SZ1**



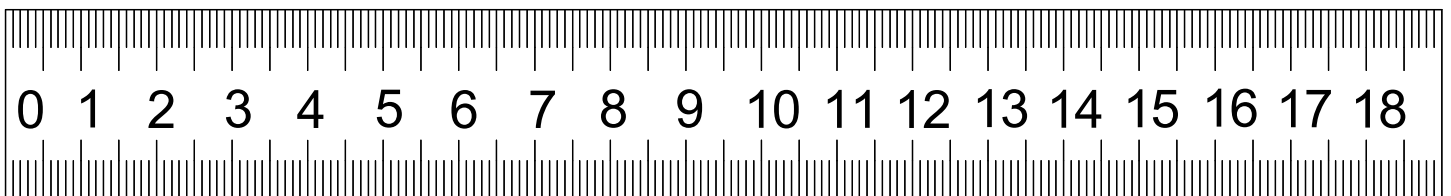
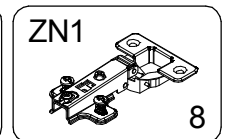
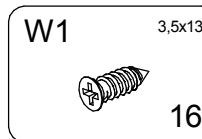




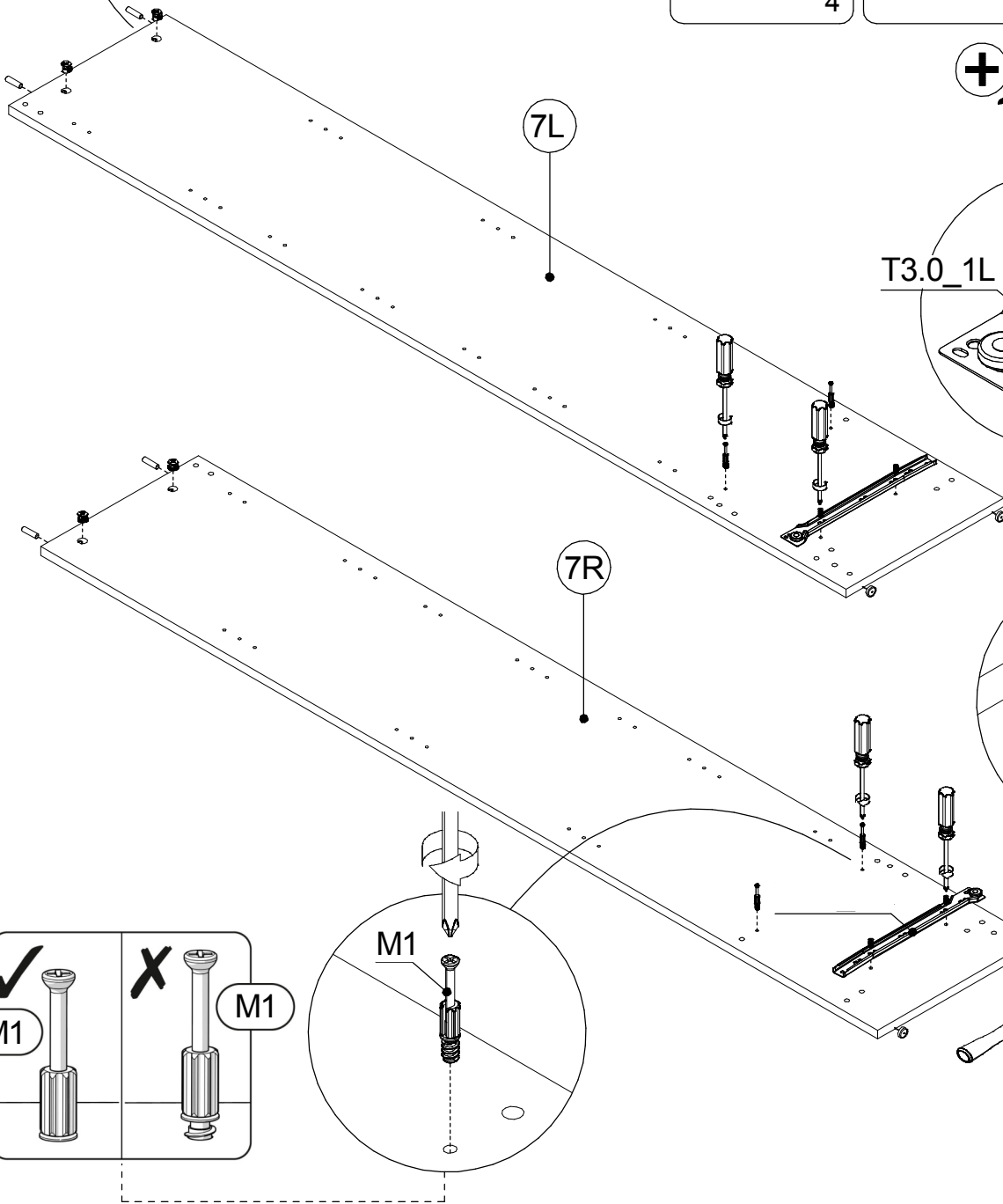
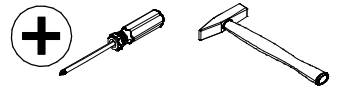
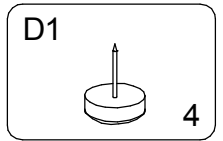
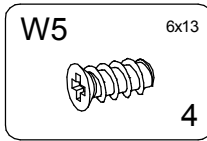
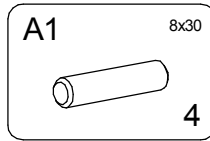
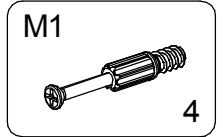
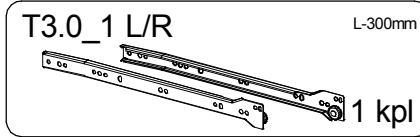
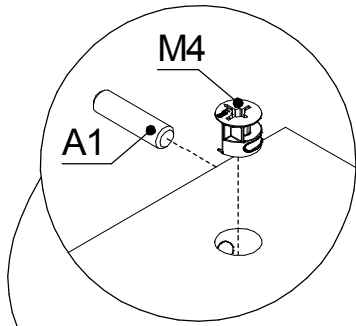
1G	568x334x16mm	1
1D	568x334x16mm	1
2	604x358x16mm	1
3	510x99x16mm	1
4	596x200x16mm	1
5	568x80x16mm	1
6L	320x100x16mm	1
6R	320x100x16mm	1
7L	1780x335x16mm	1
7R	1780x335x16mm	1
8	568x60x16mm	2
9	568x330x16mm	3
10	1708x297x3mm	2
11	540x325x3mm	1



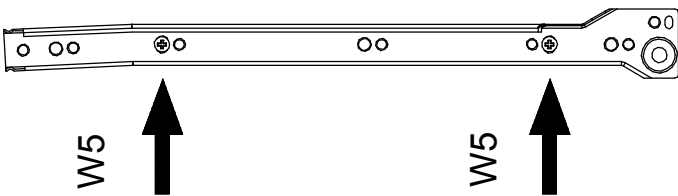
12	1448x296x16mm	2
----	---------------	---



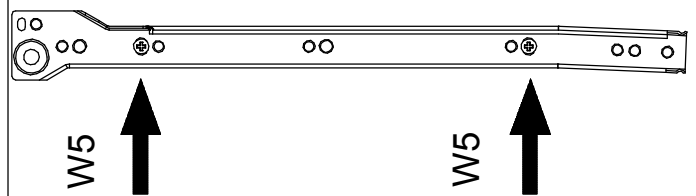
▶ 1



**T3.0\_1 R**

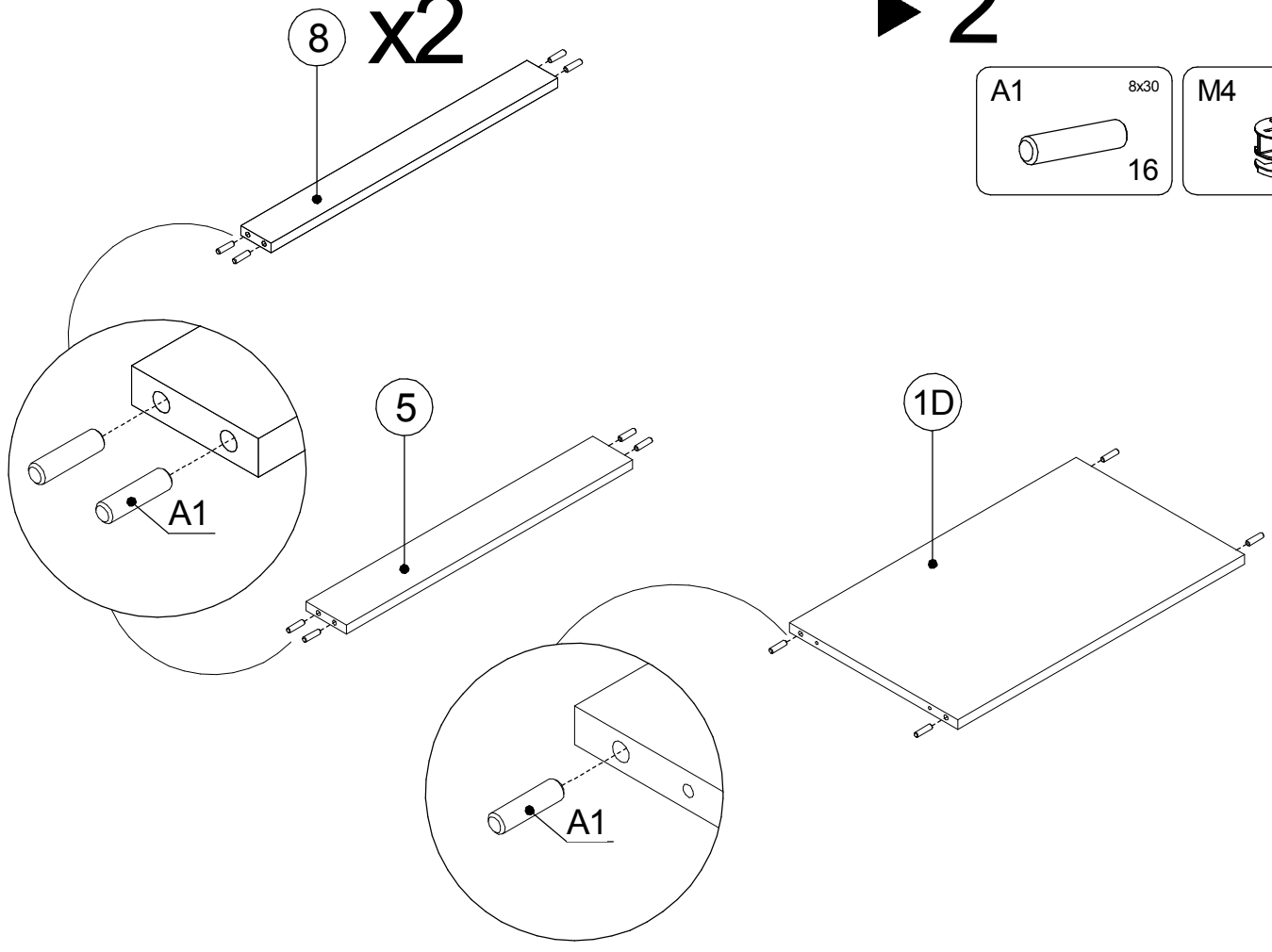
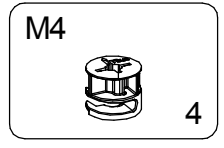
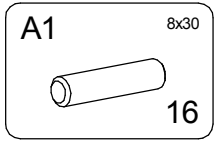


**T3.0\_1 L**

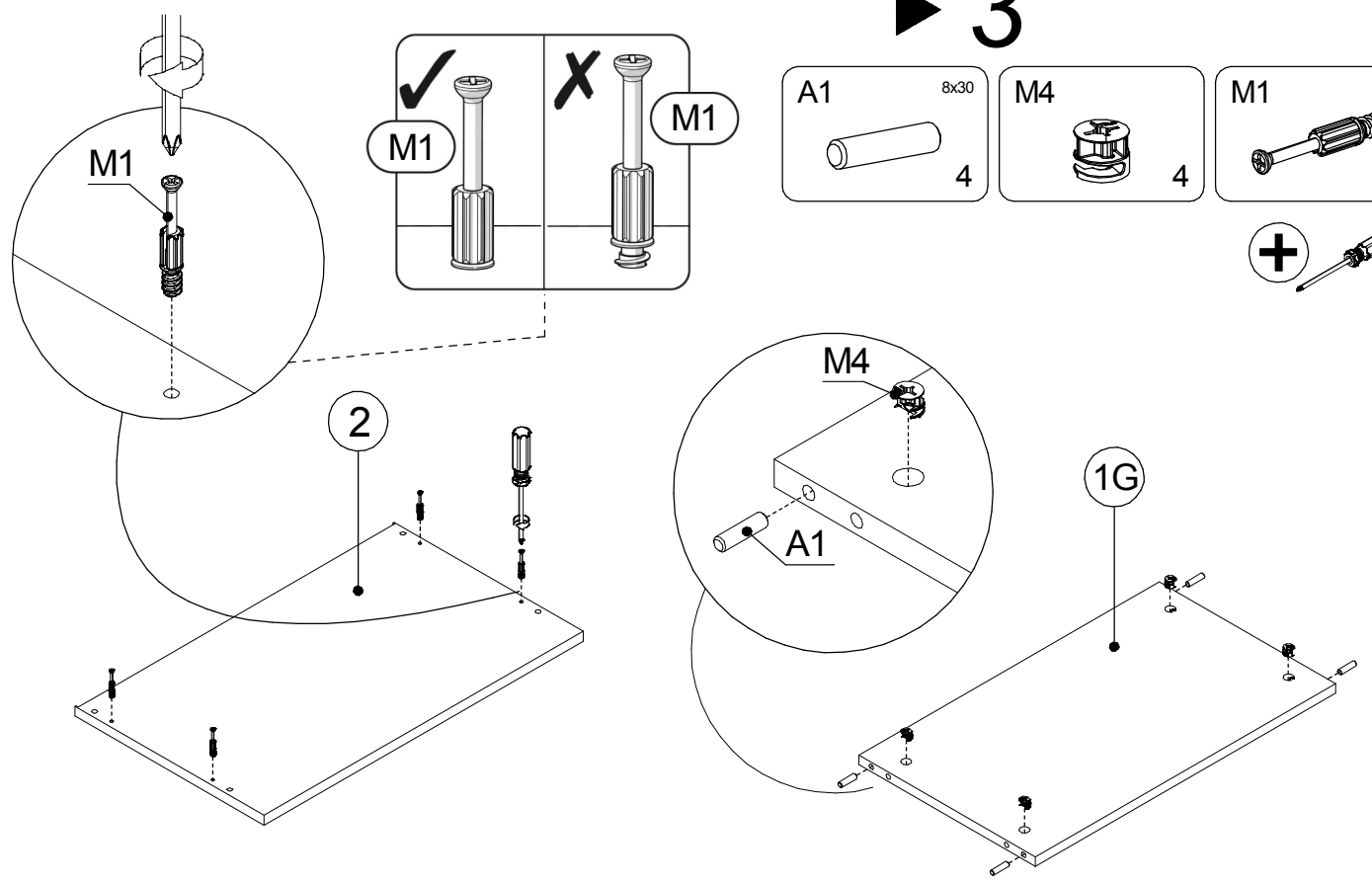
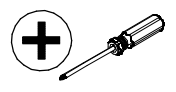
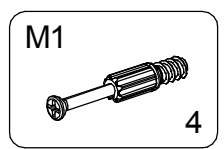
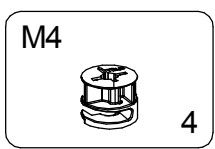
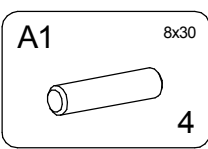


▶ 2

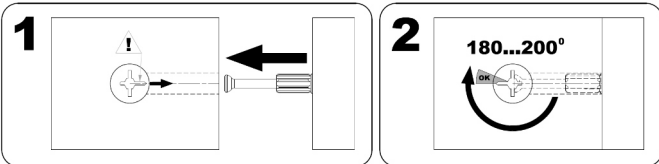
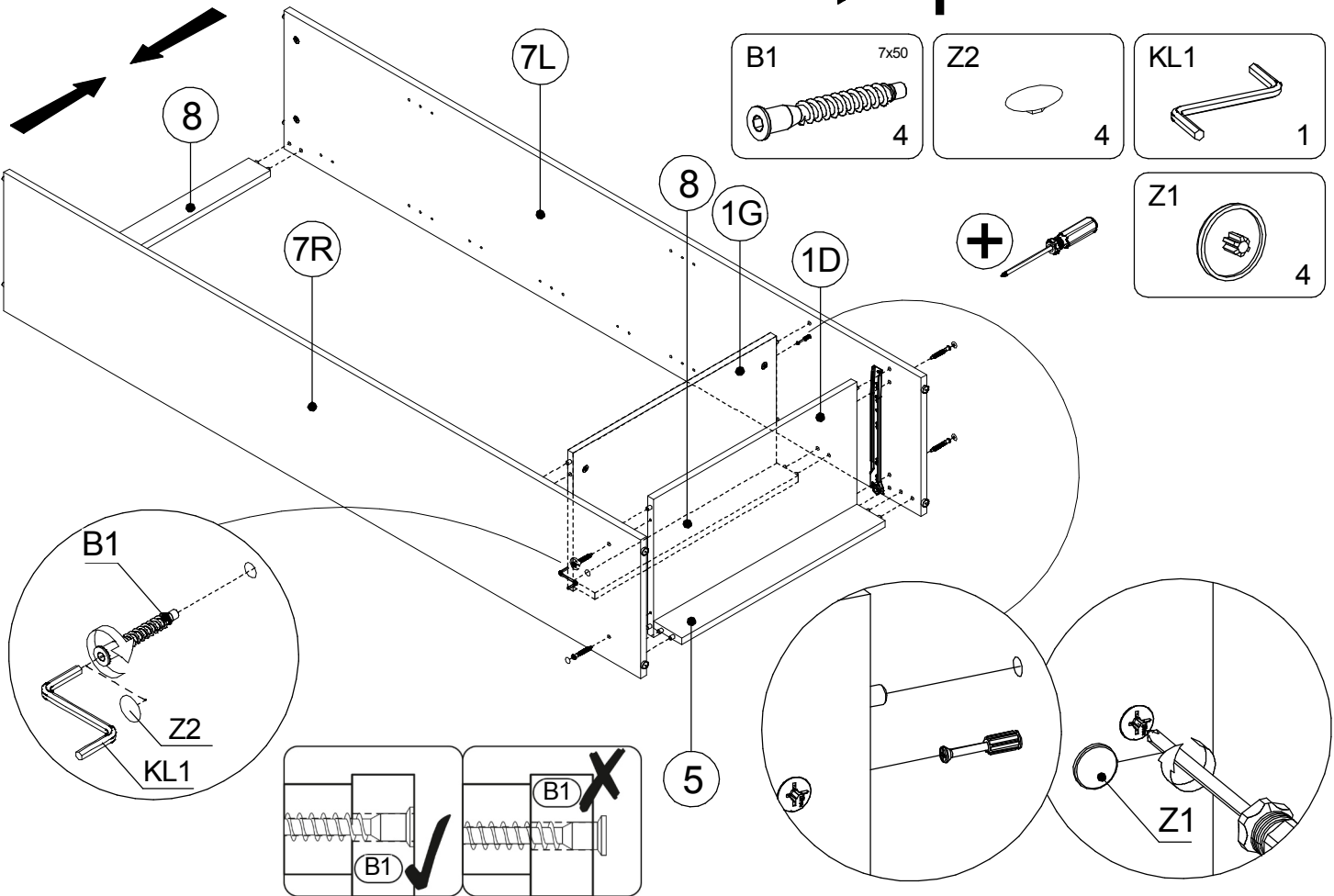
8 x2



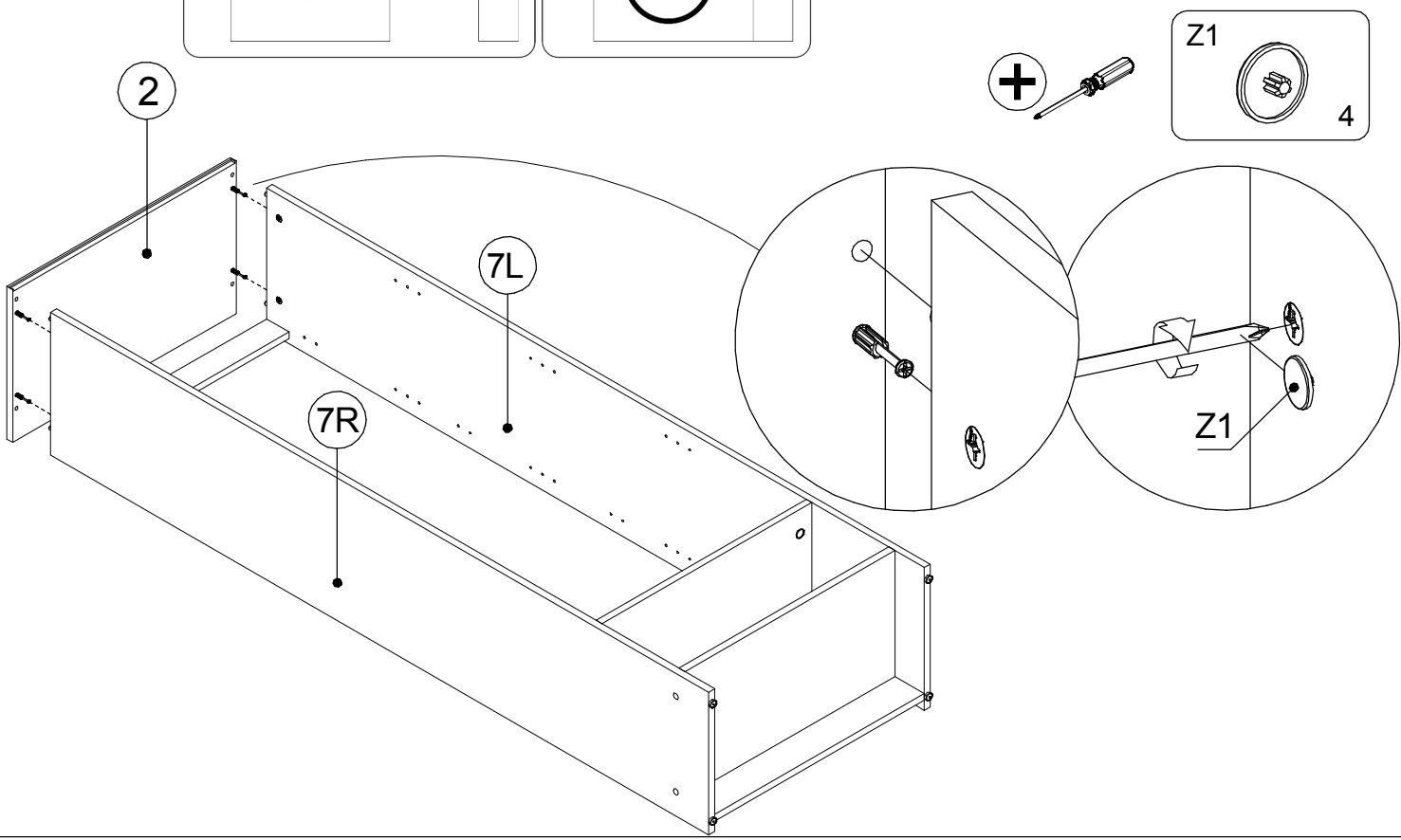
▶ 3



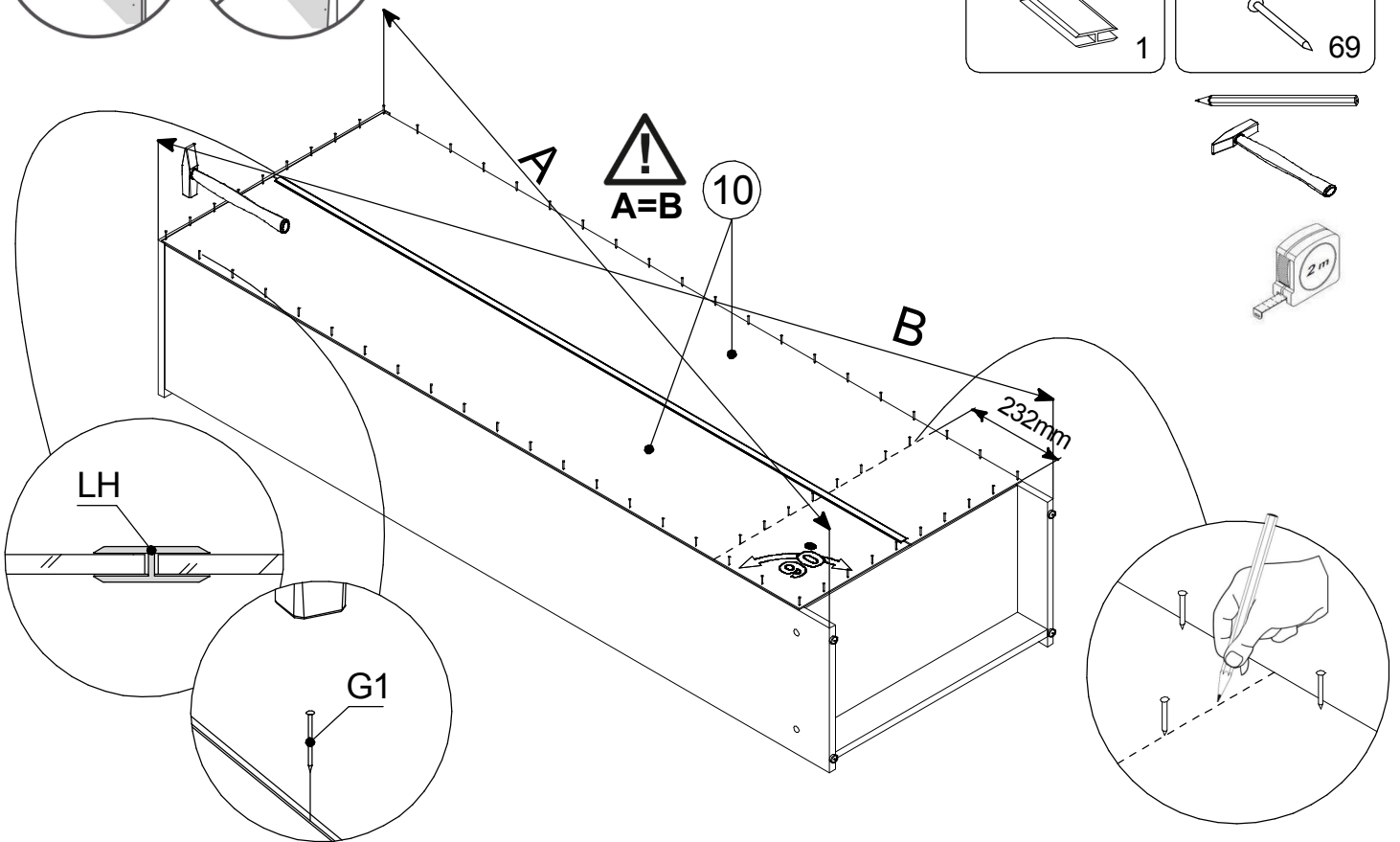
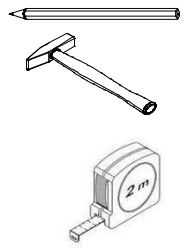
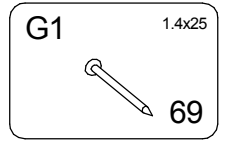
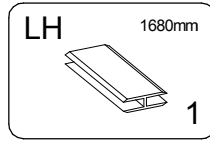
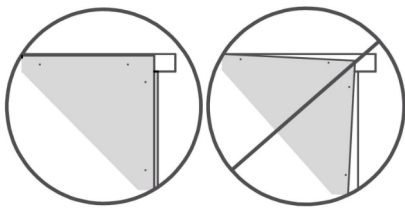
# ▶ 4



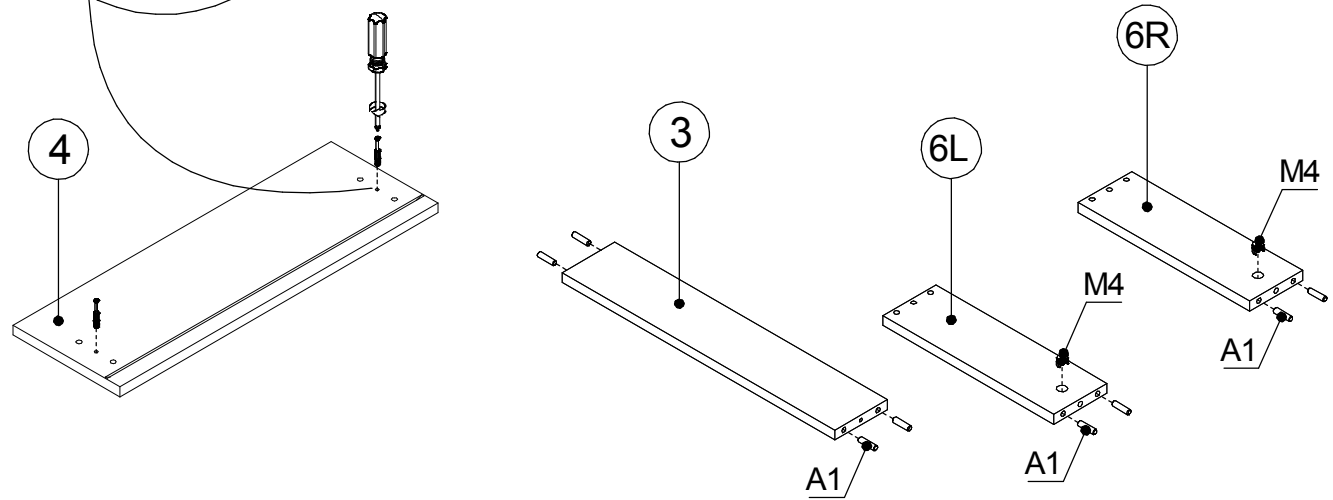
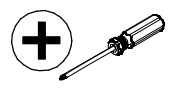
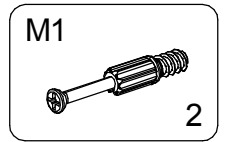
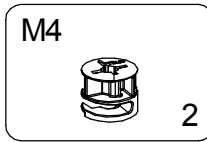
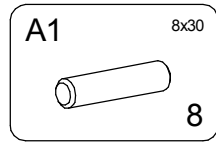
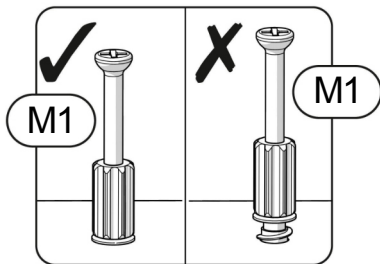
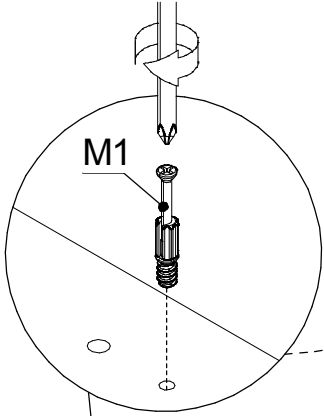
# ▶ 5

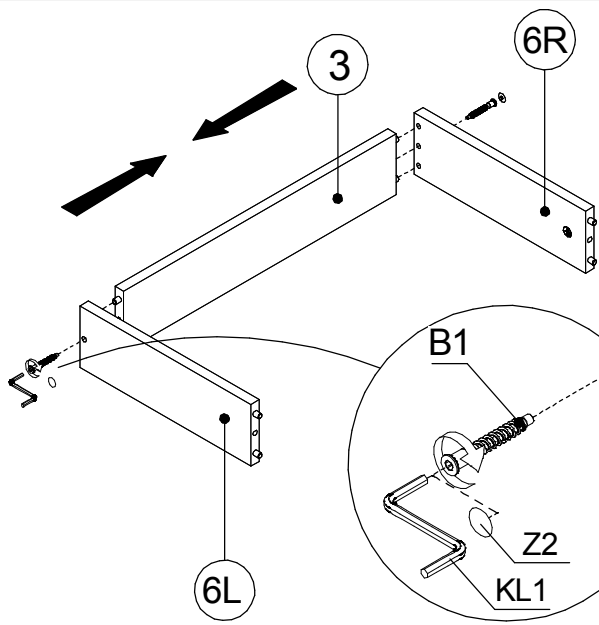


# ▶ 6



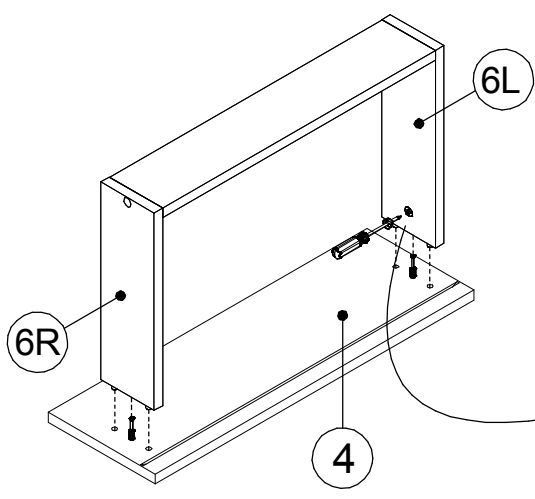
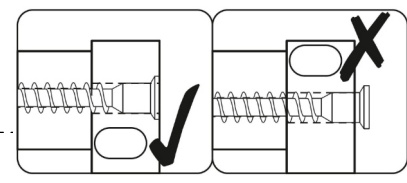
# ▶ 7





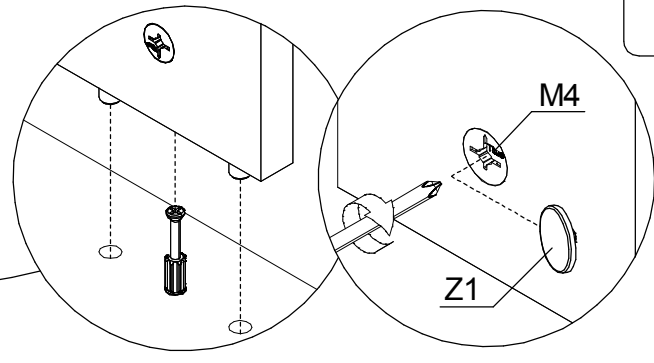
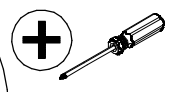
# ▶ 8

- |                 |         |          |
|-----------------|---------|----------|
| B1<br>7x50<br>2 | Z2<br>2 | KL1<br>1 |
|-----------------|---------|----------|

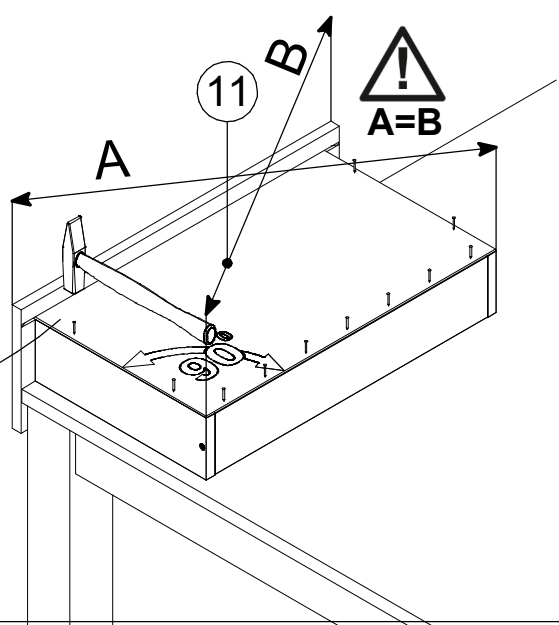
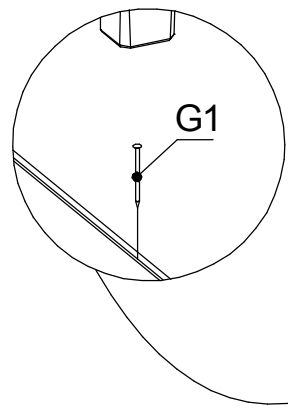


# ▶ 9

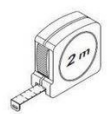
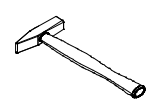
- |   |
|---|
| 2 |
|---|



# ▶ 10

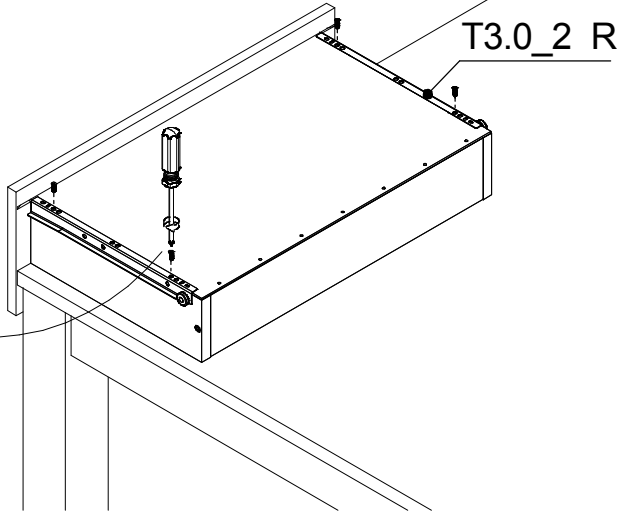
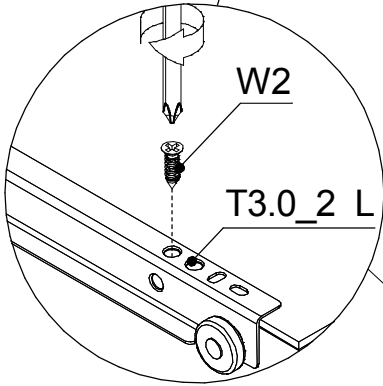
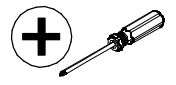
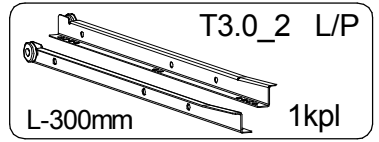
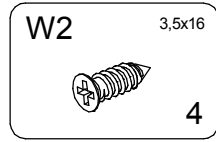
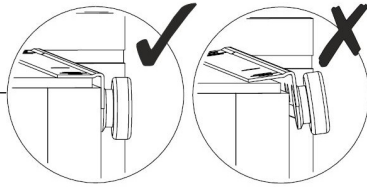


- |                    |
|--------------------|
| G1<br>1.4x25<br>11 |
|--------------------|

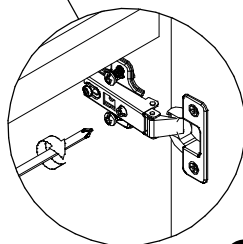
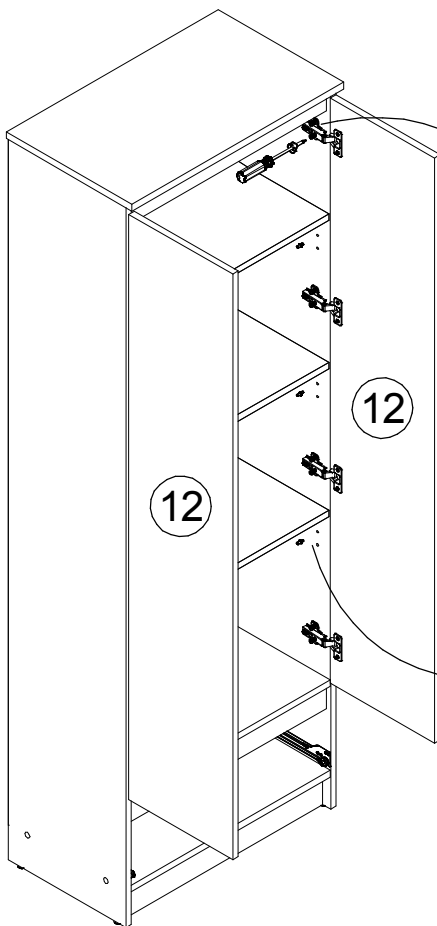
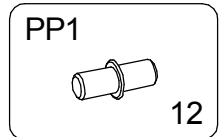
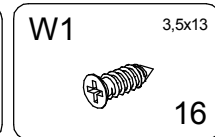
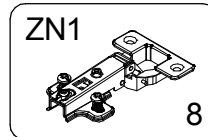




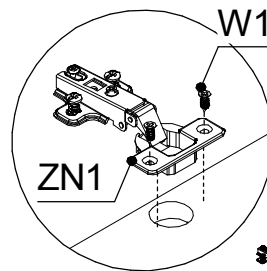
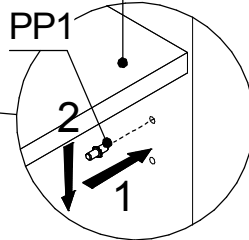
# ▶ 11



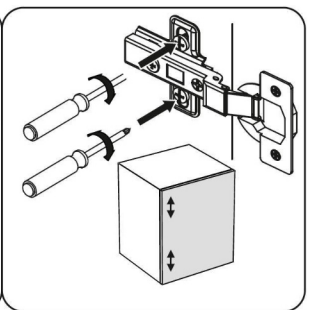
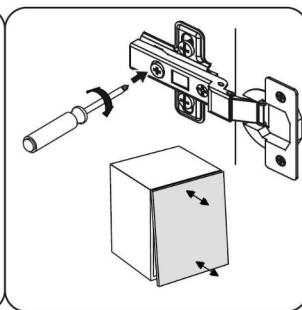
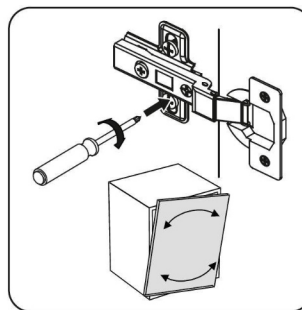
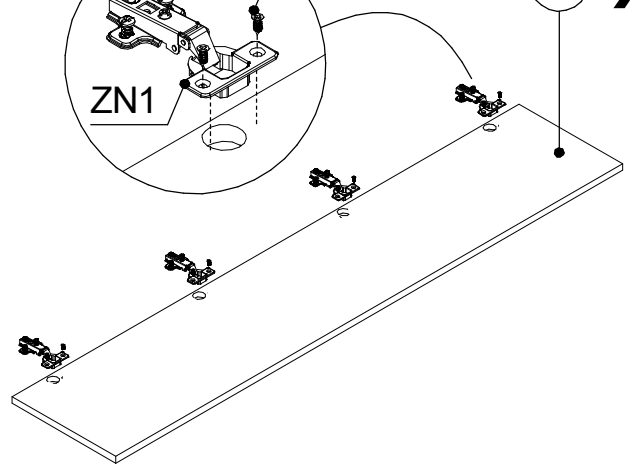
# ▶ 12



9 x3

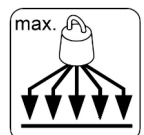
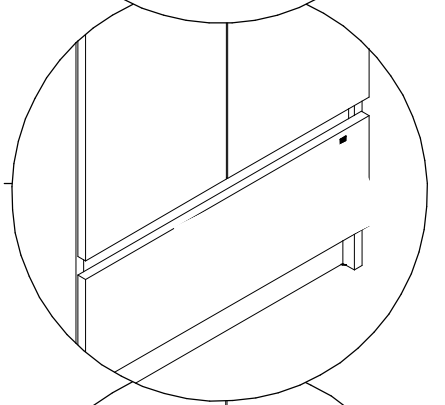
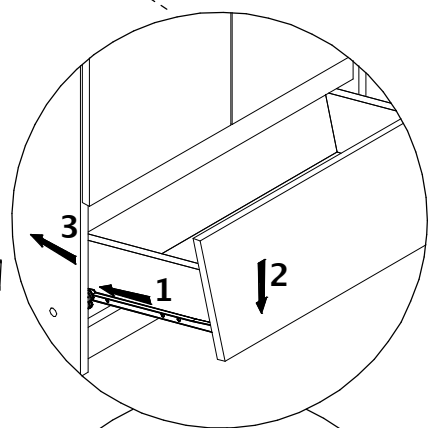
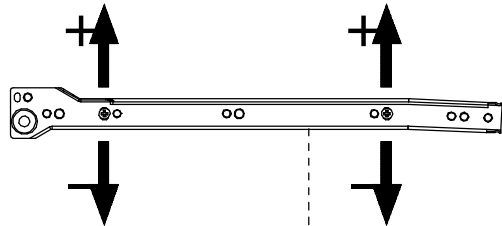
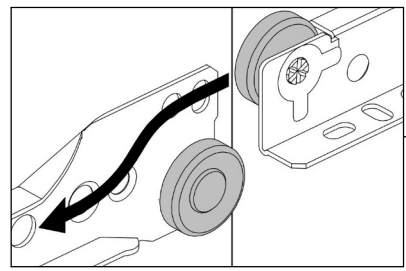
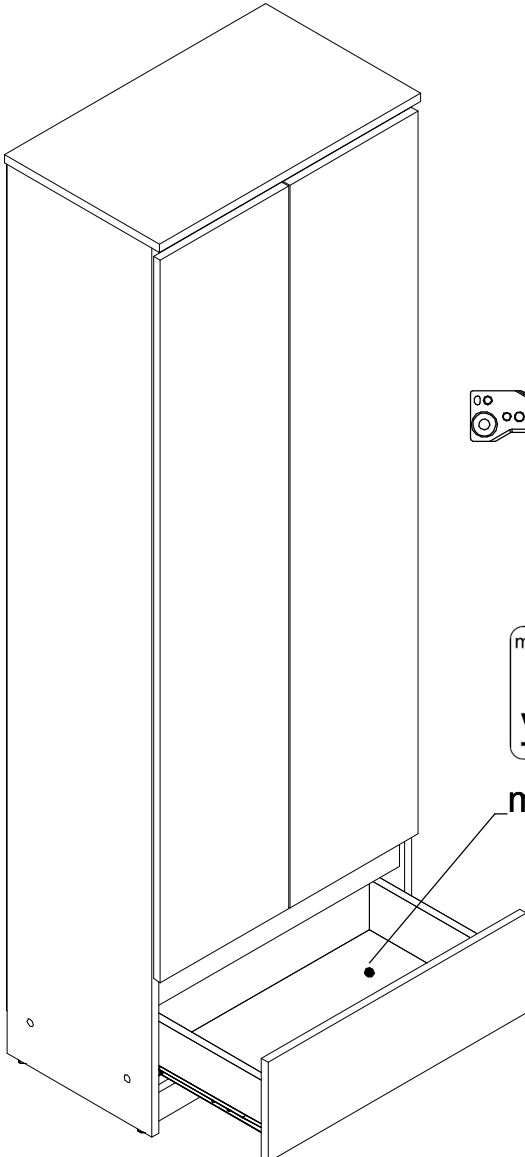
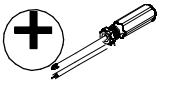


12 x2



# ▶ 13

W2 3,5x16  
2



max. 3kg

