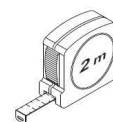
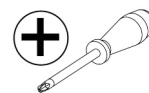
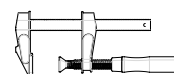
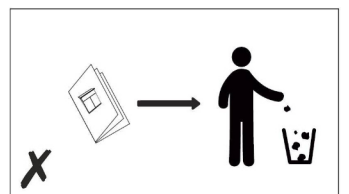
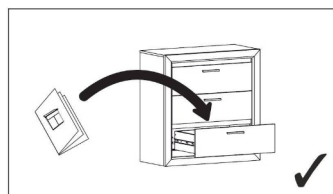
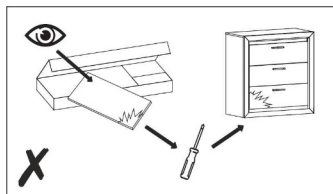
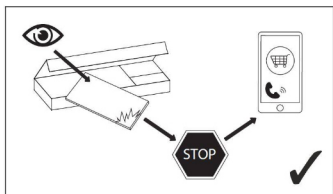
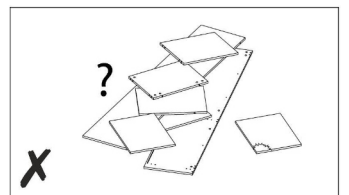
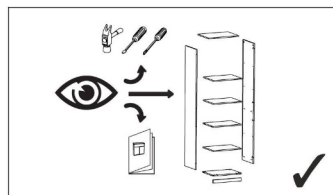
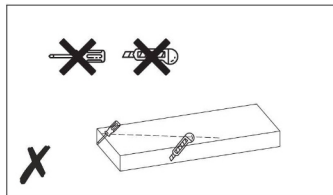
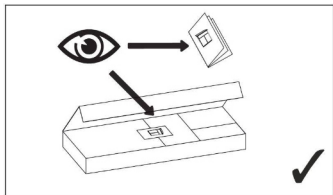


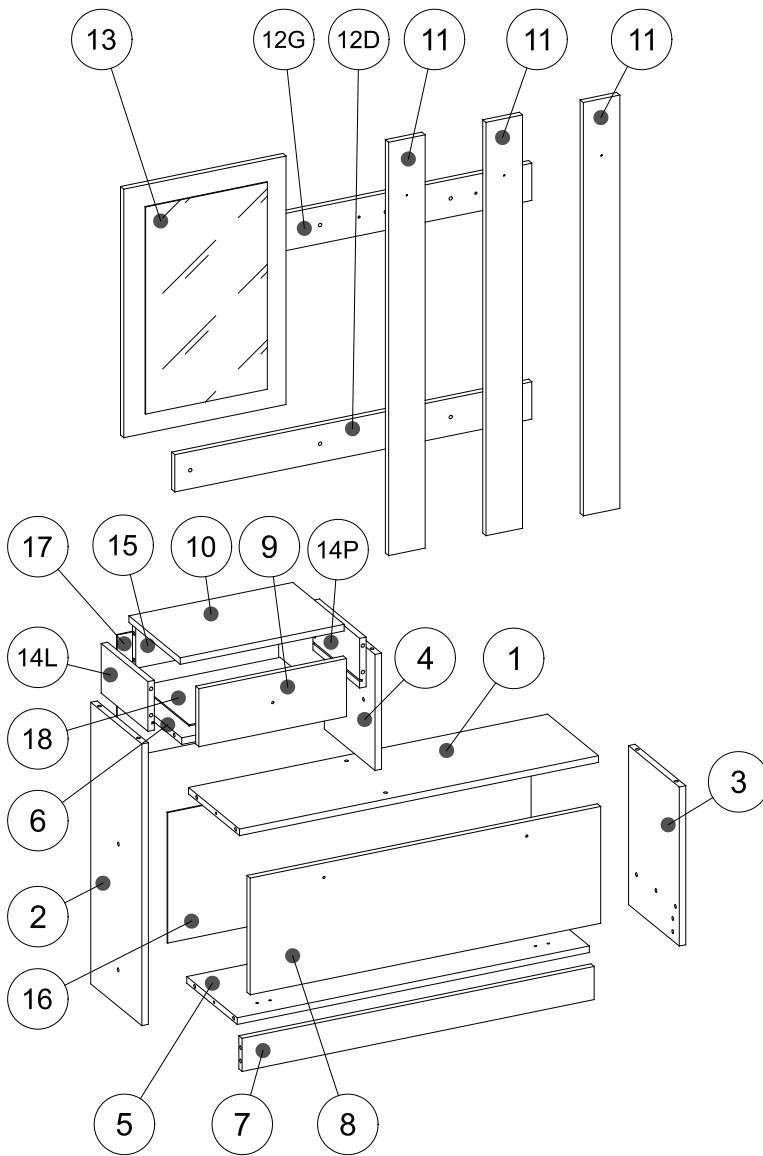
~90min



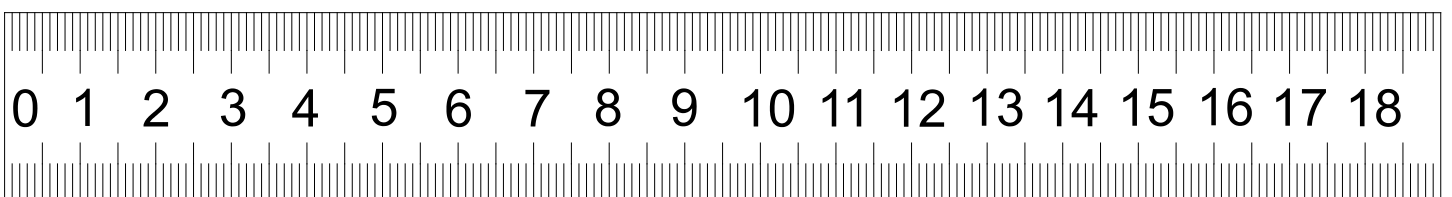
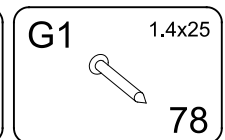
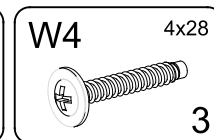
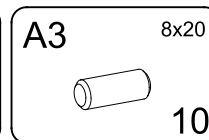
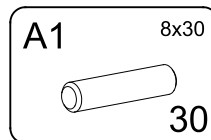
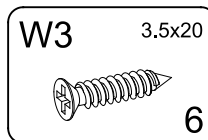
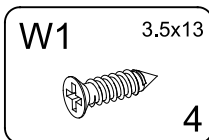
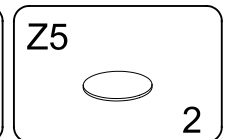
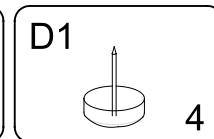
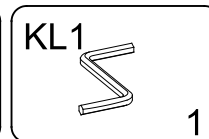
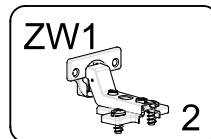
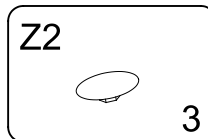
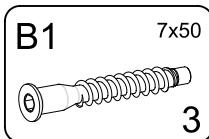
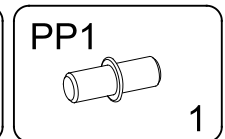
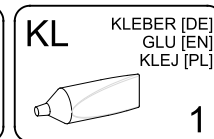
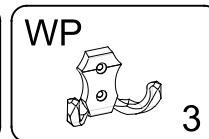
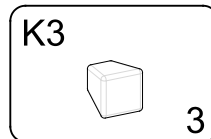
Ø 5mm



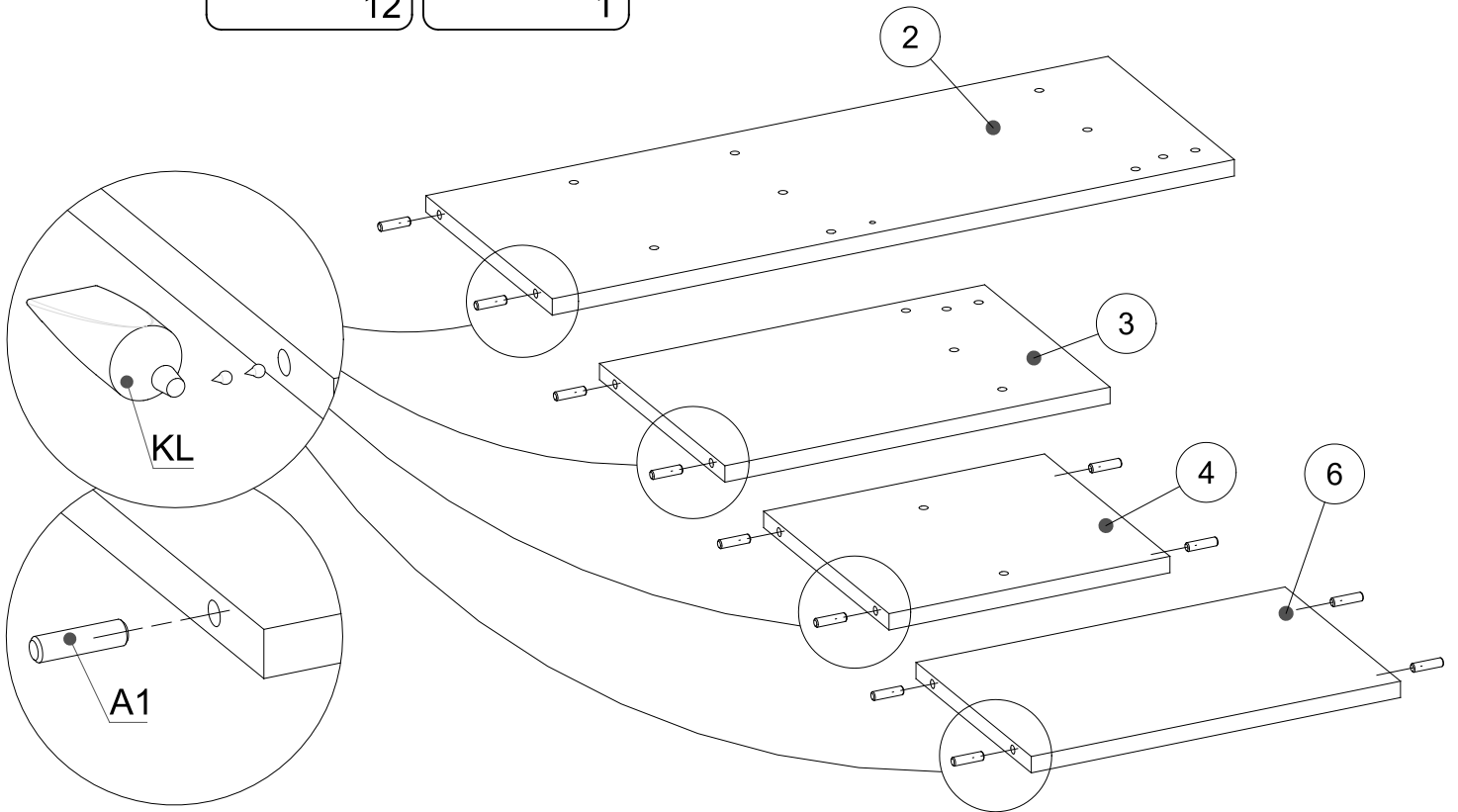
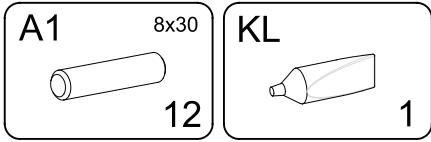




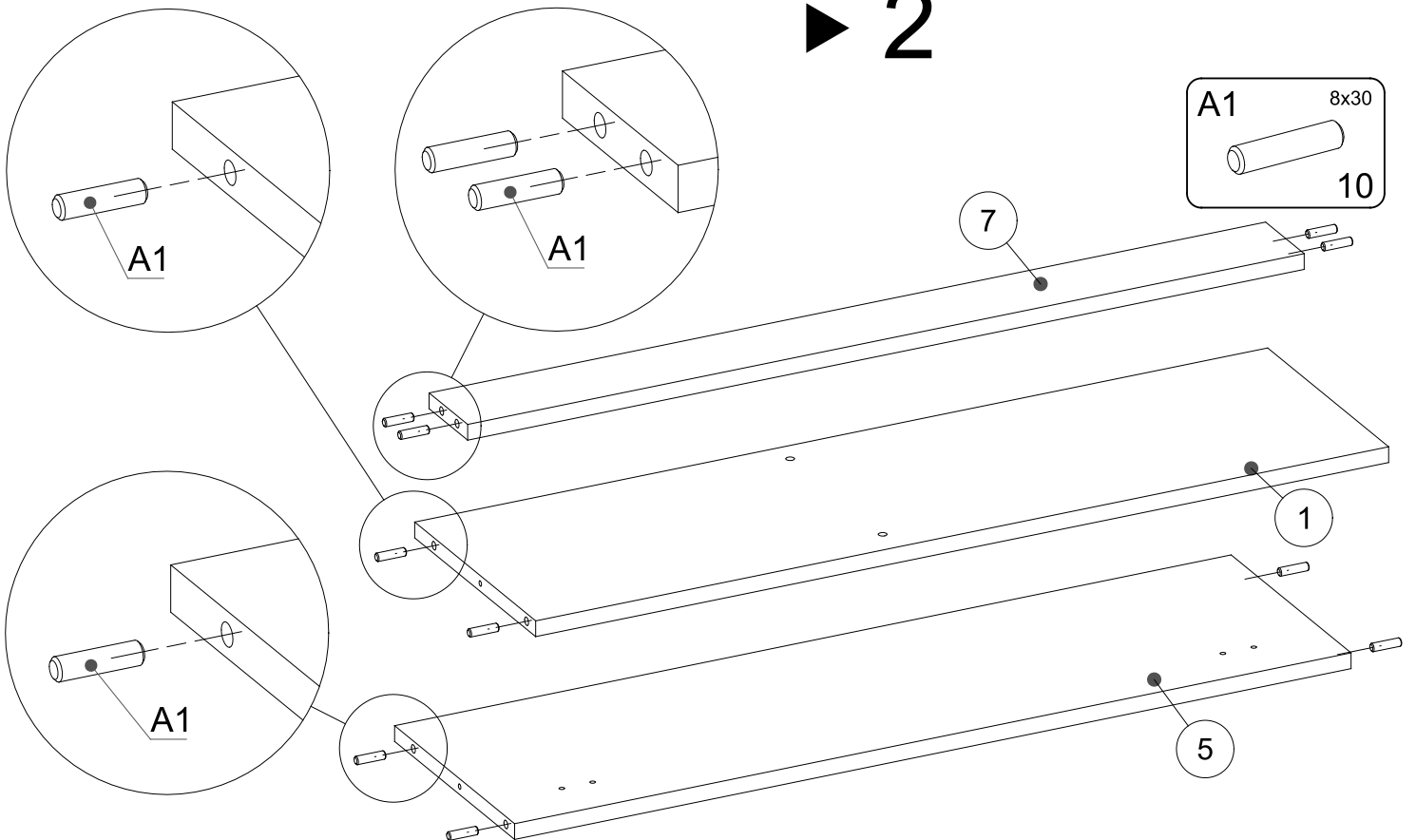
1	885x251x16mm	1
2	680x252x16mm	1
3	384x250x16mm	1
4	280x250x16mm	1
5	868x249x16mm	1
6	368x230x16mm	1
7	868x80x16mm	1
8	864x282x16mm	1
9	364x140x16mm	1
10	404x253x16mm	1
11	998x90x16mm	3
12D	880x90x16mm	1
12G	880x90x16mm	1
13	600x400x16mm	1
14L	230x120x16mm	1
14P	230x120x16mm	1
15	332x99x16mm	1
16	896x315x3mm	1
17	398x300x3mm	1
18	342x236x3mm	1



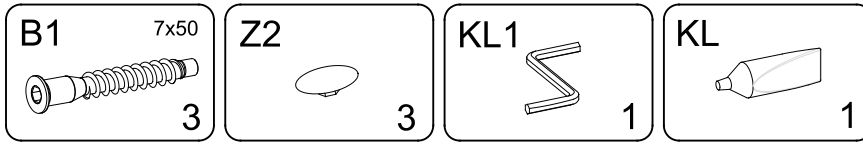
▶ 1



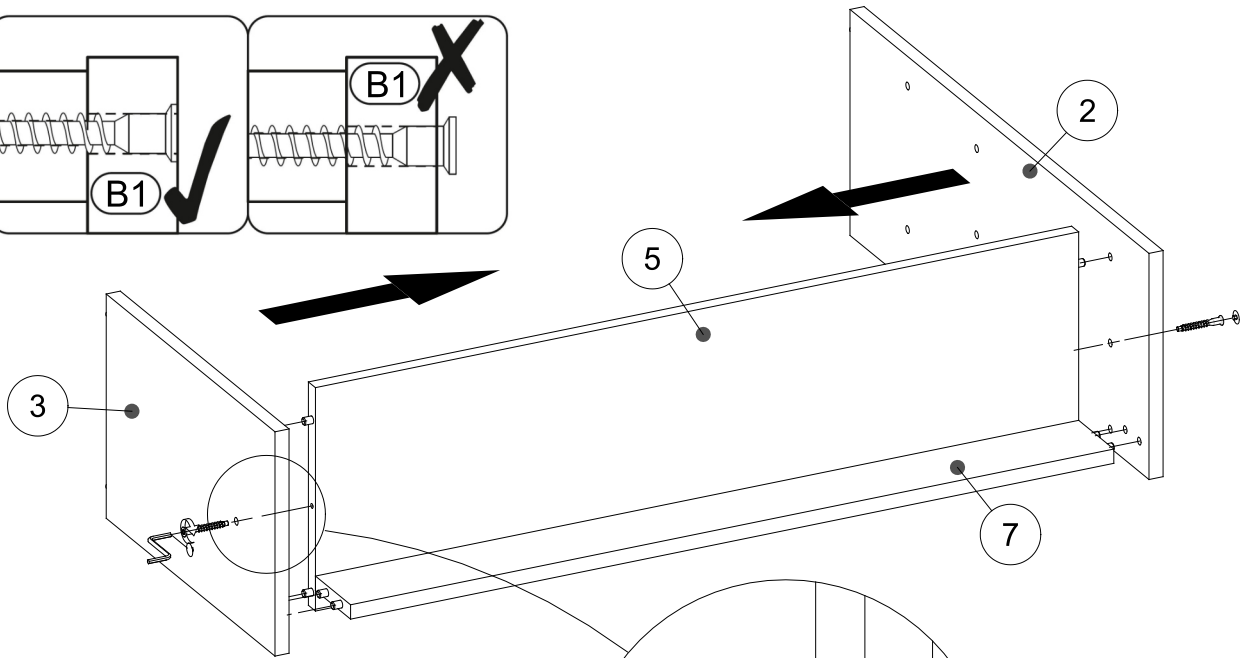
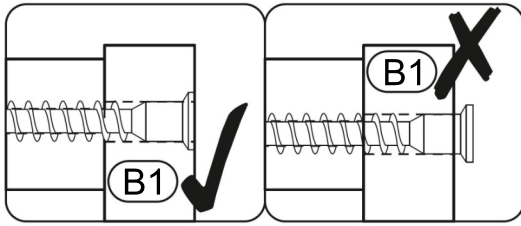
▶ 2



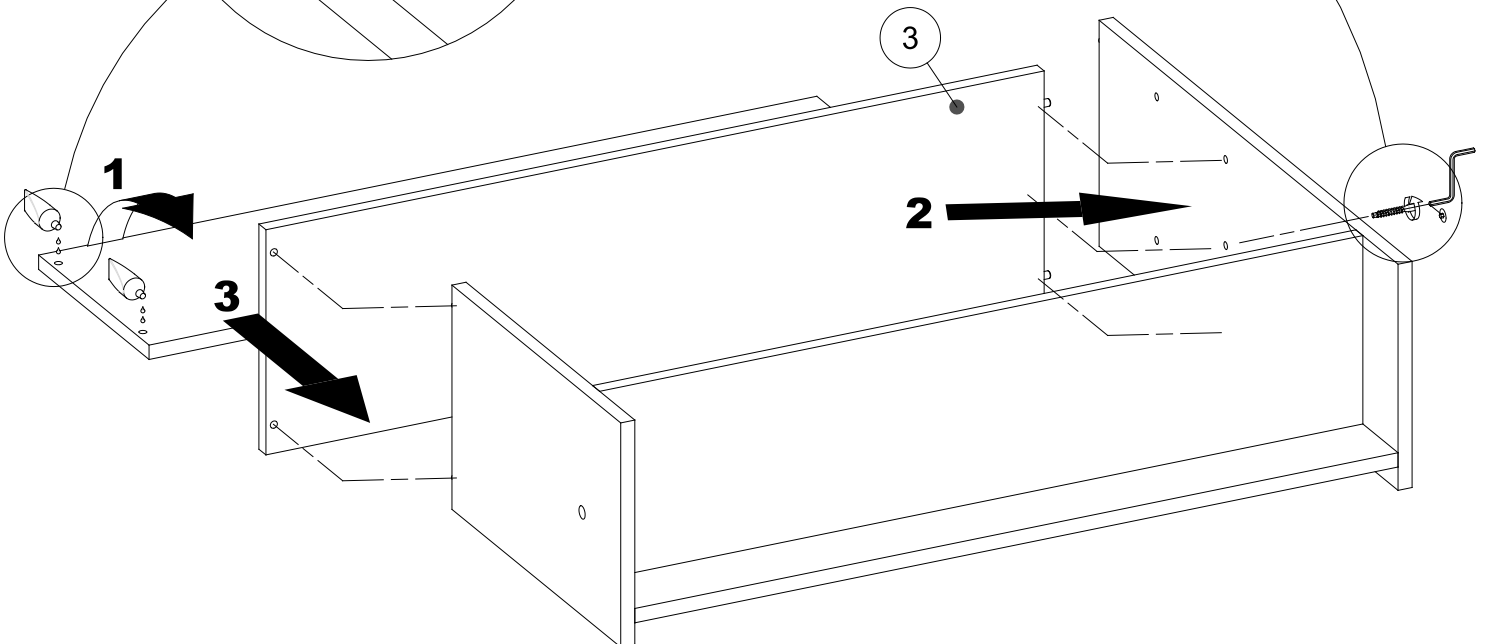
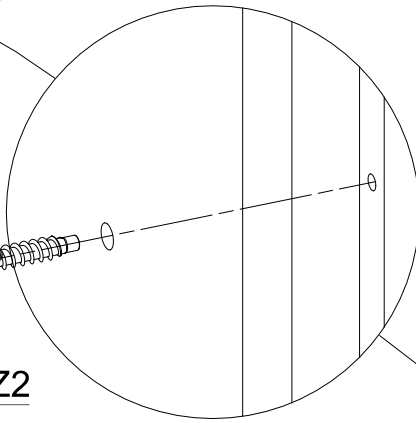
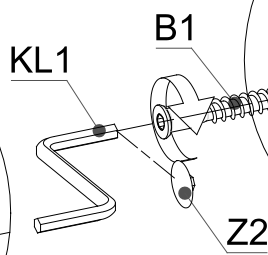
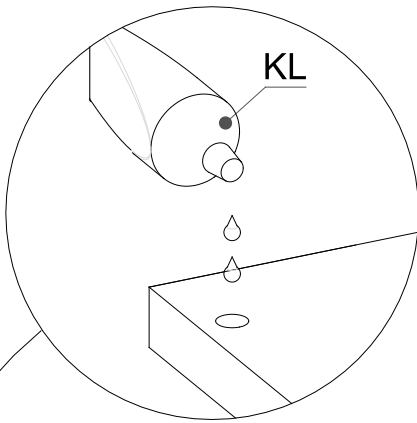
▶ 3



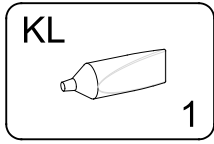
1)



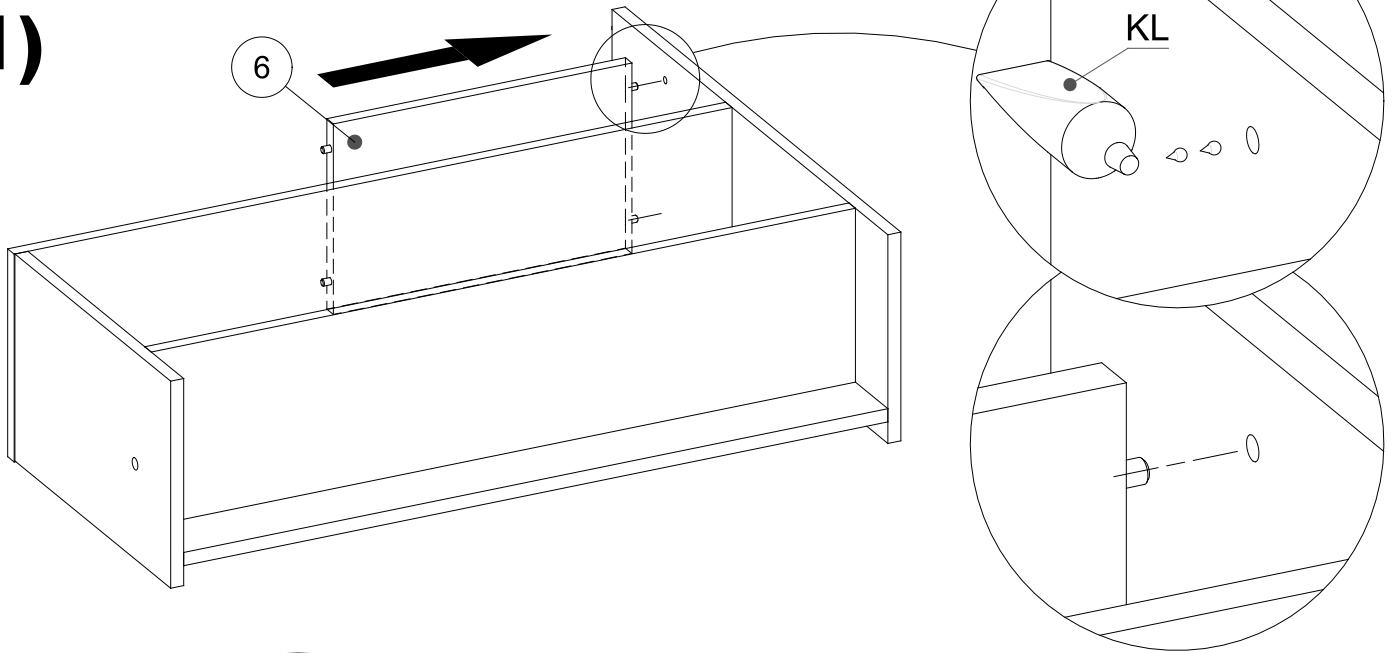
2)



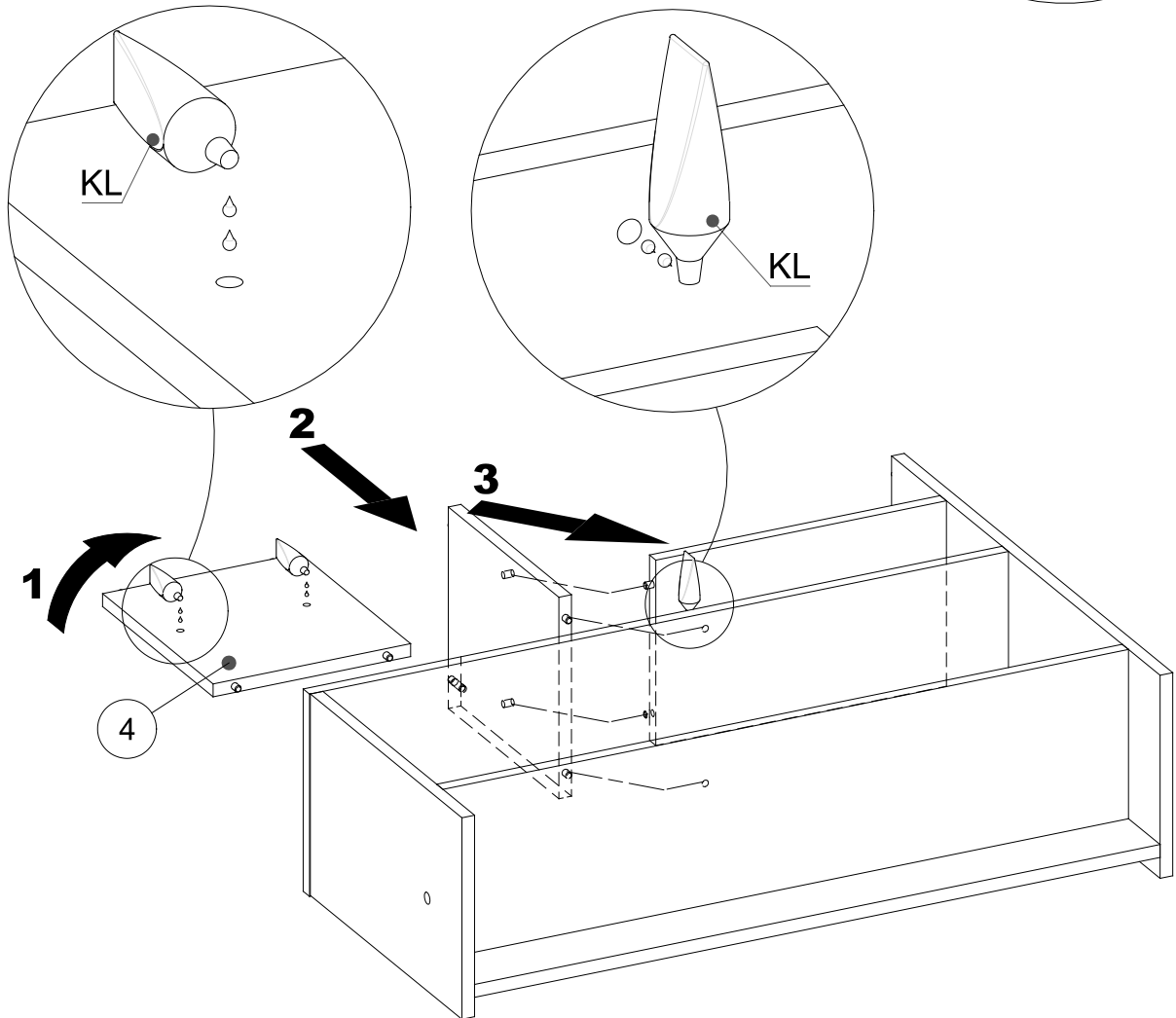
▶ 4



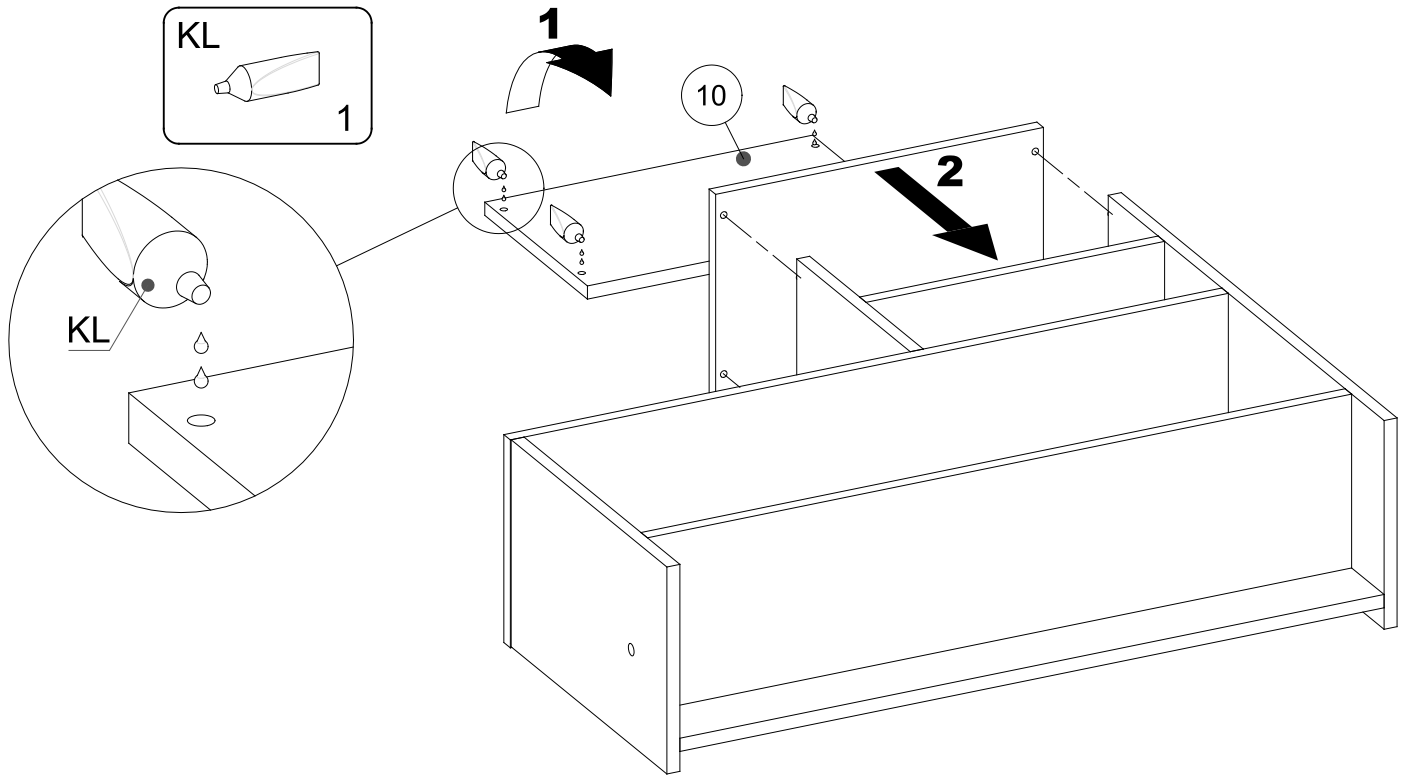
1)



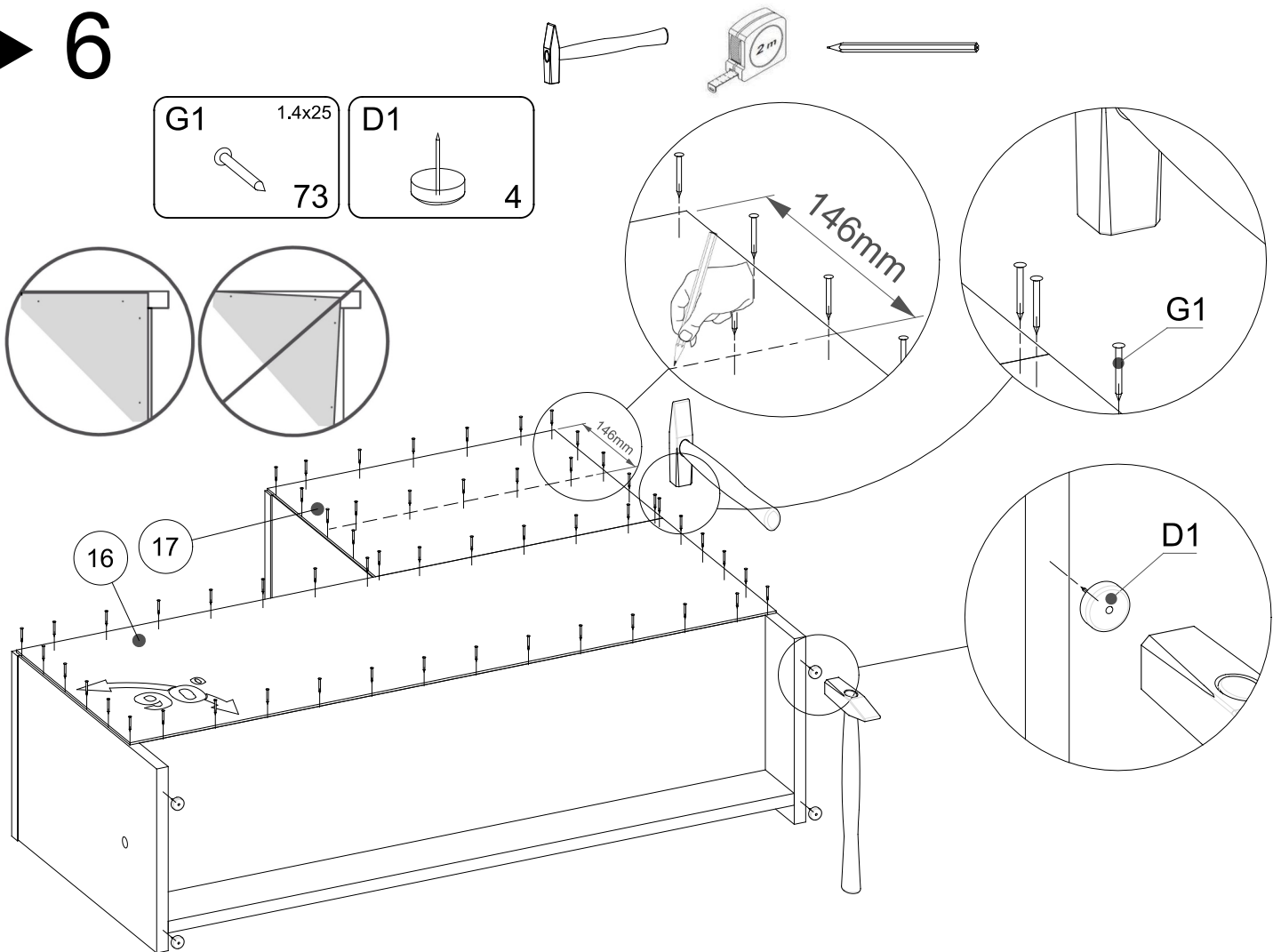
2)



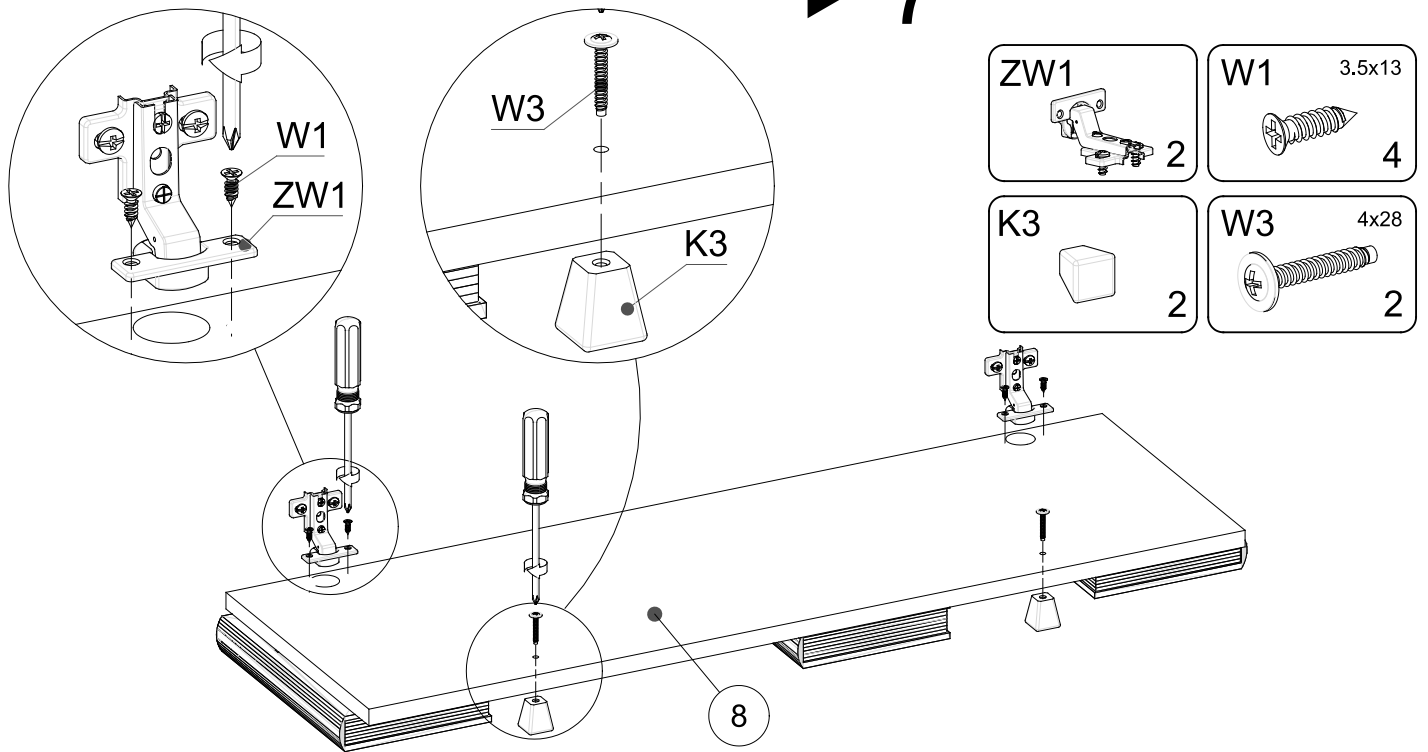
▶ 5



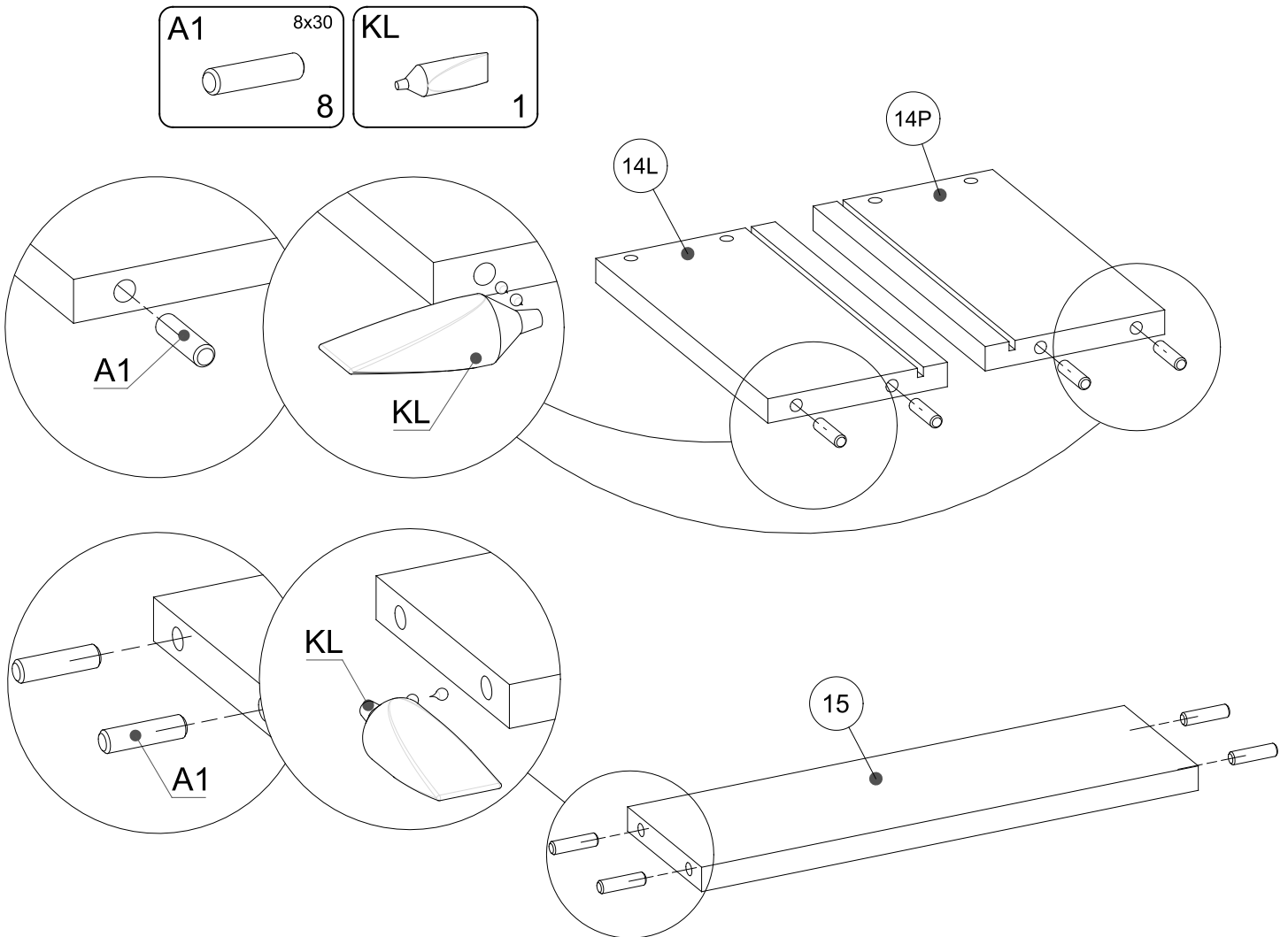
▶ 6



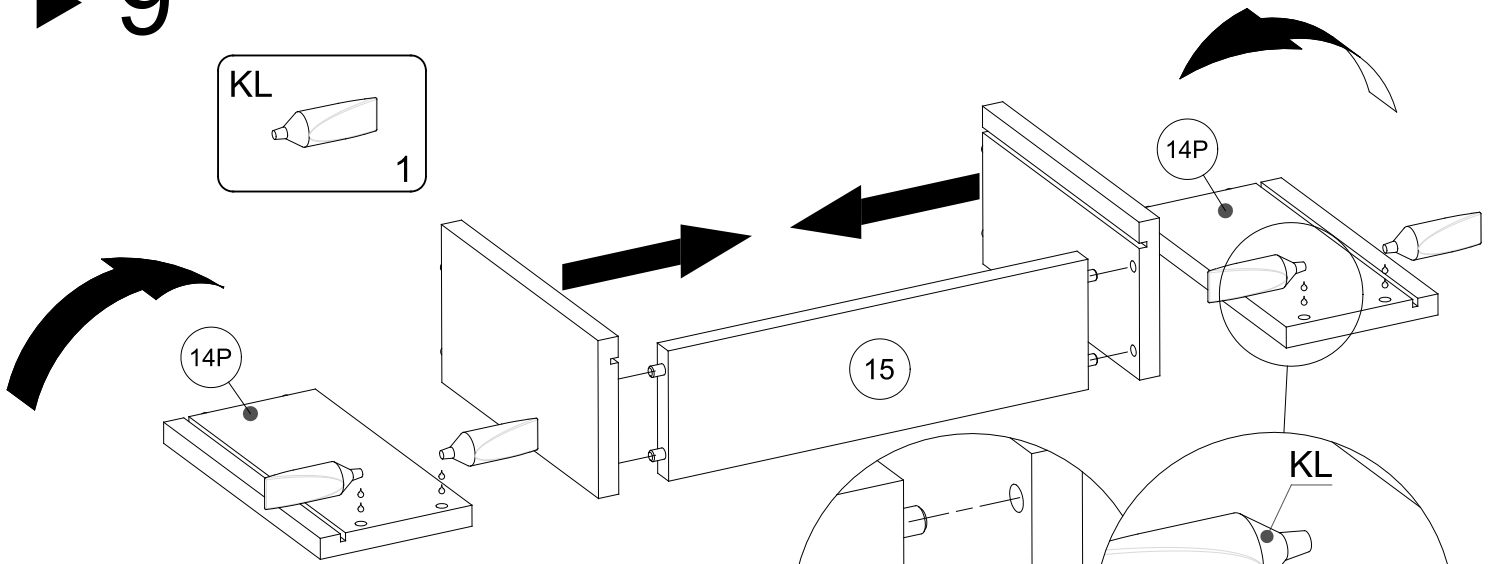
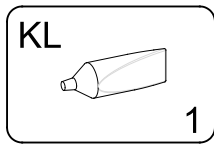
▶ 7



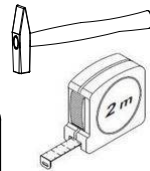
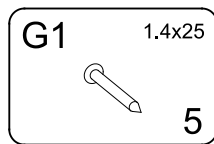
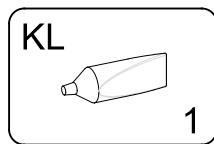
▶ 8



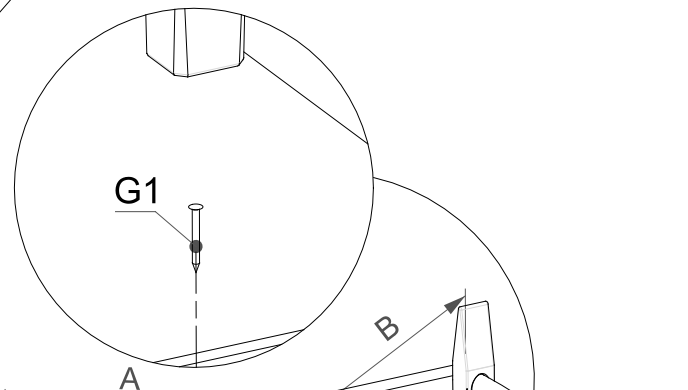
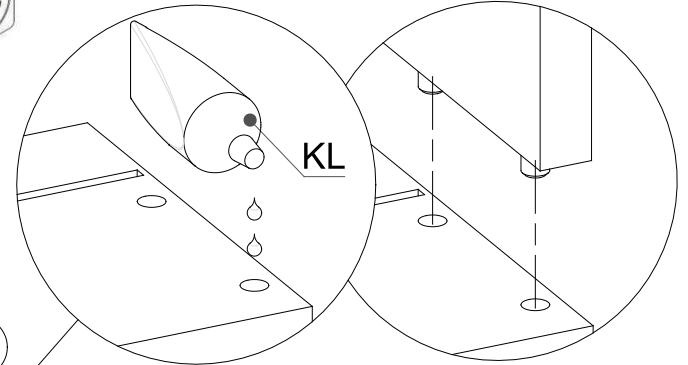
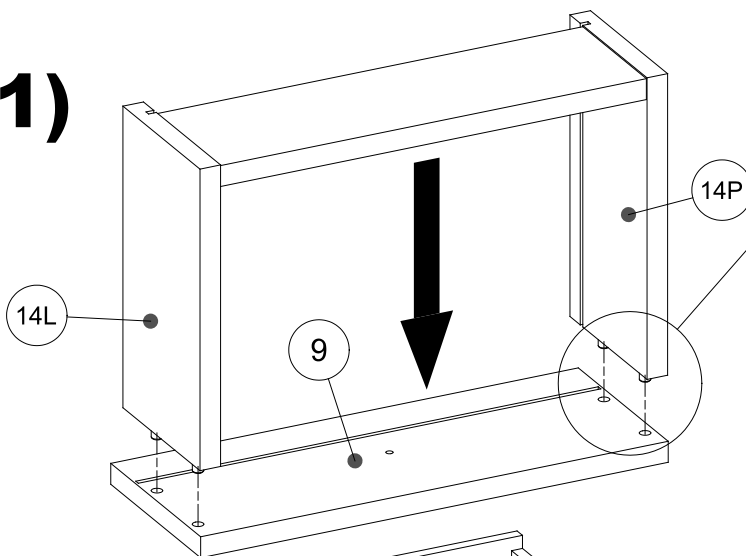
▶ 9



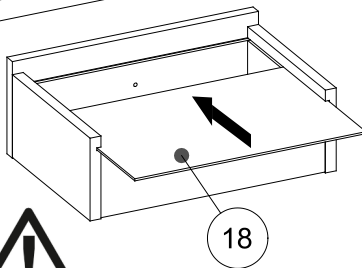
▶ 10



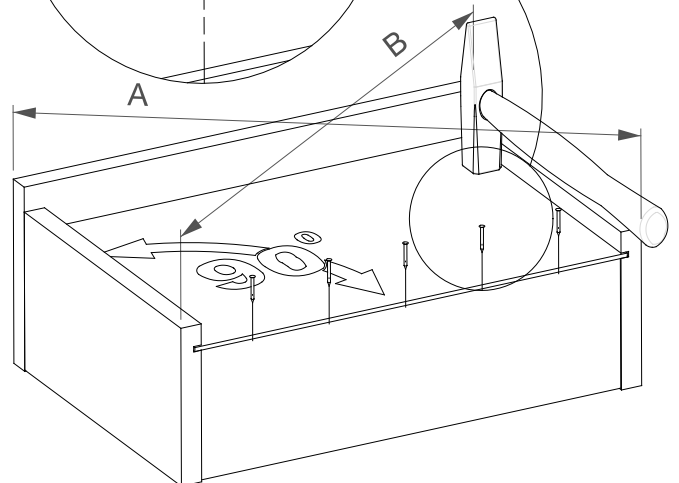
1)



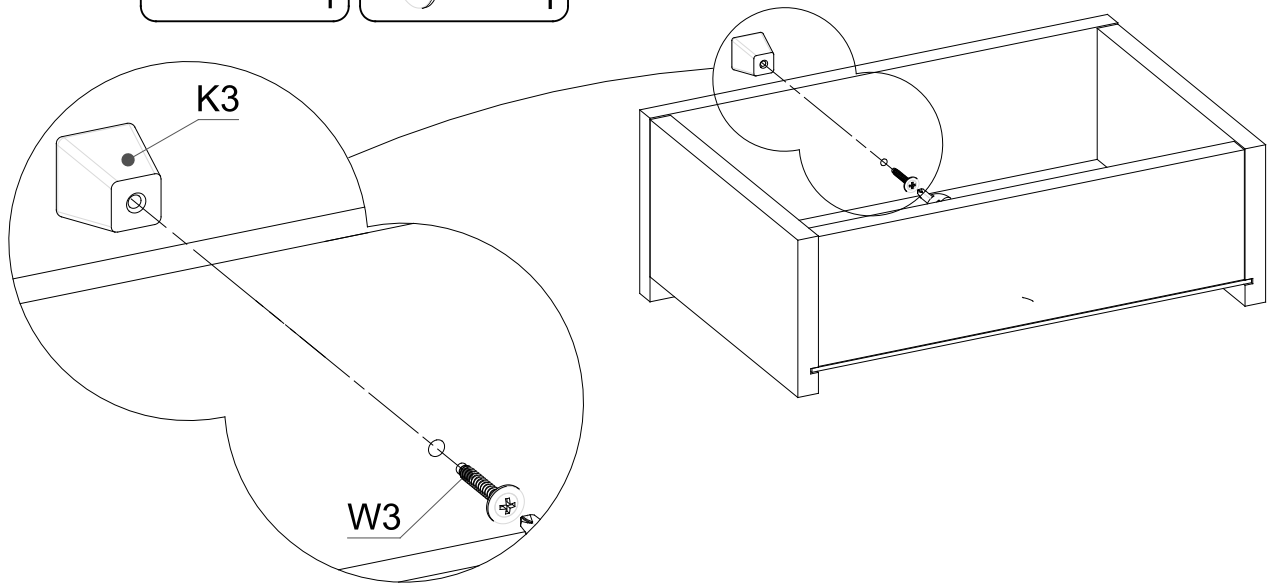
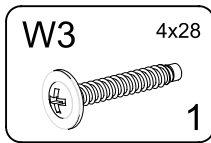
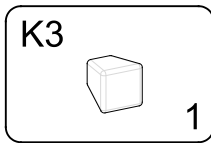
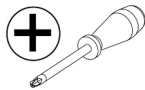
2)



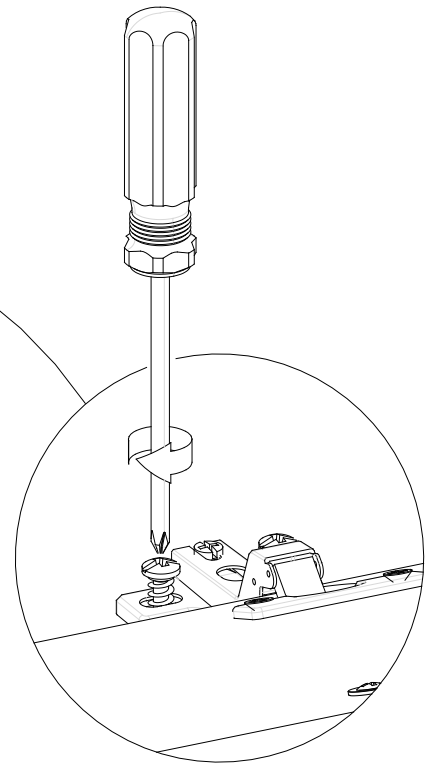
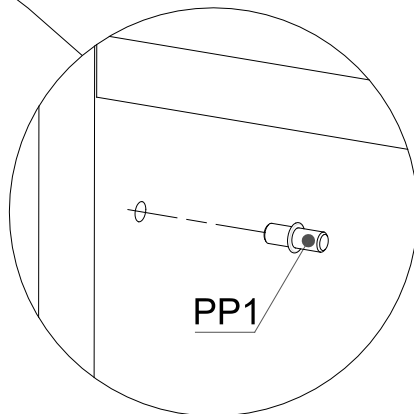
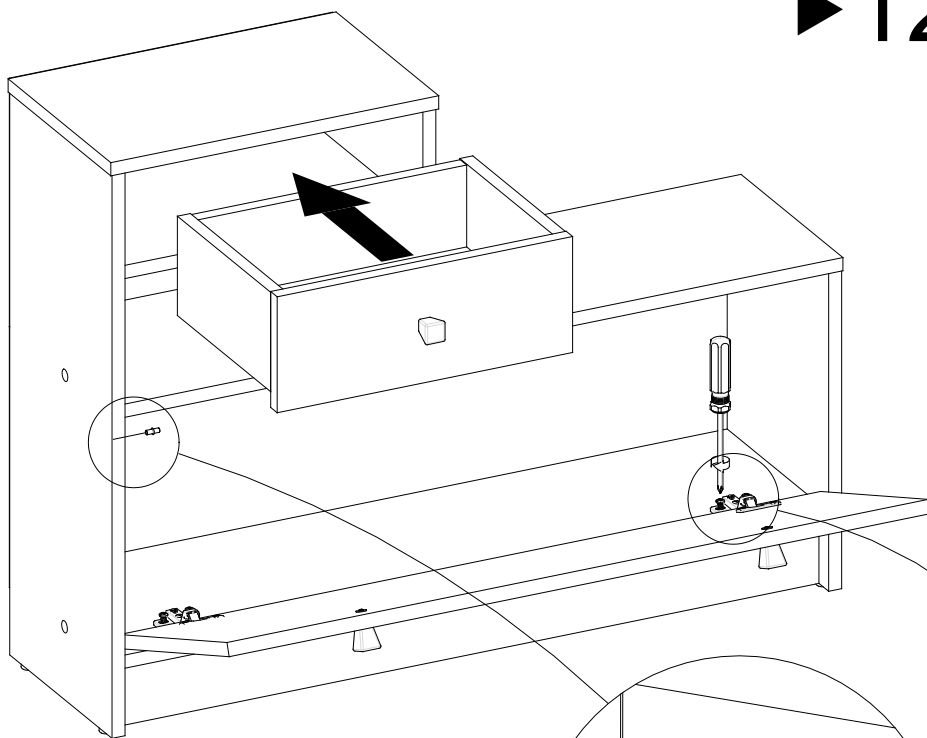
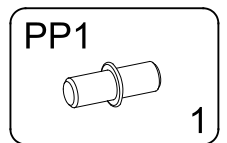
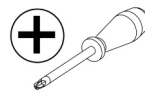
3)



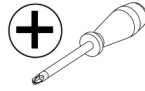
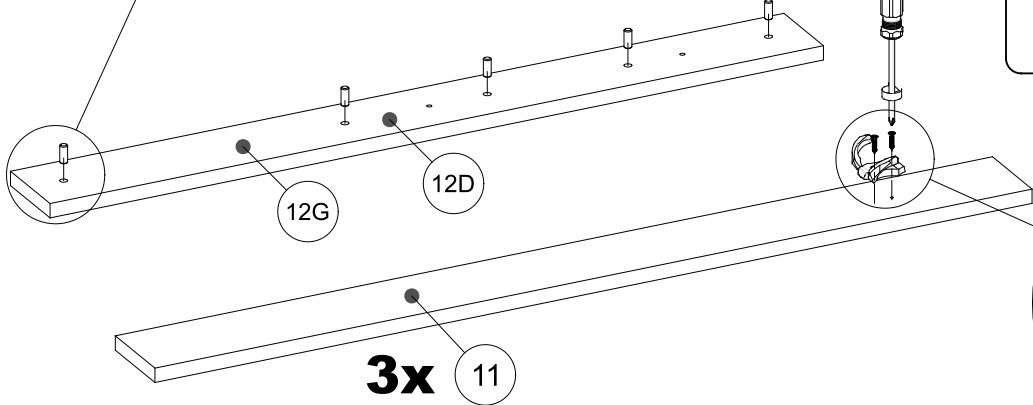
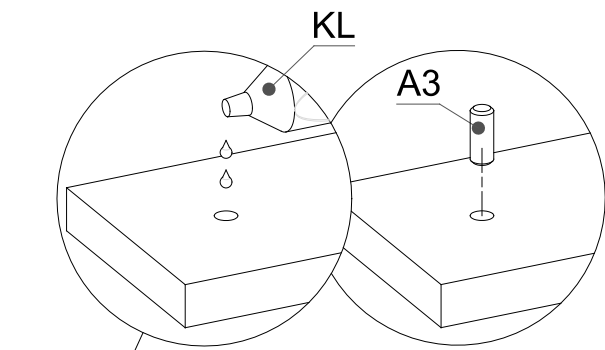
▶ 11



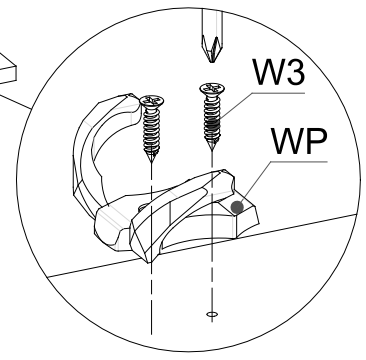
▶ 12



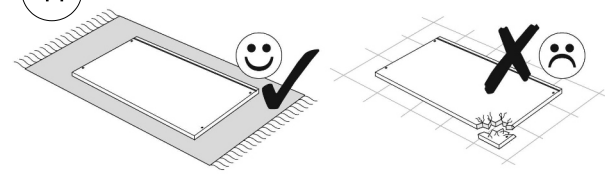
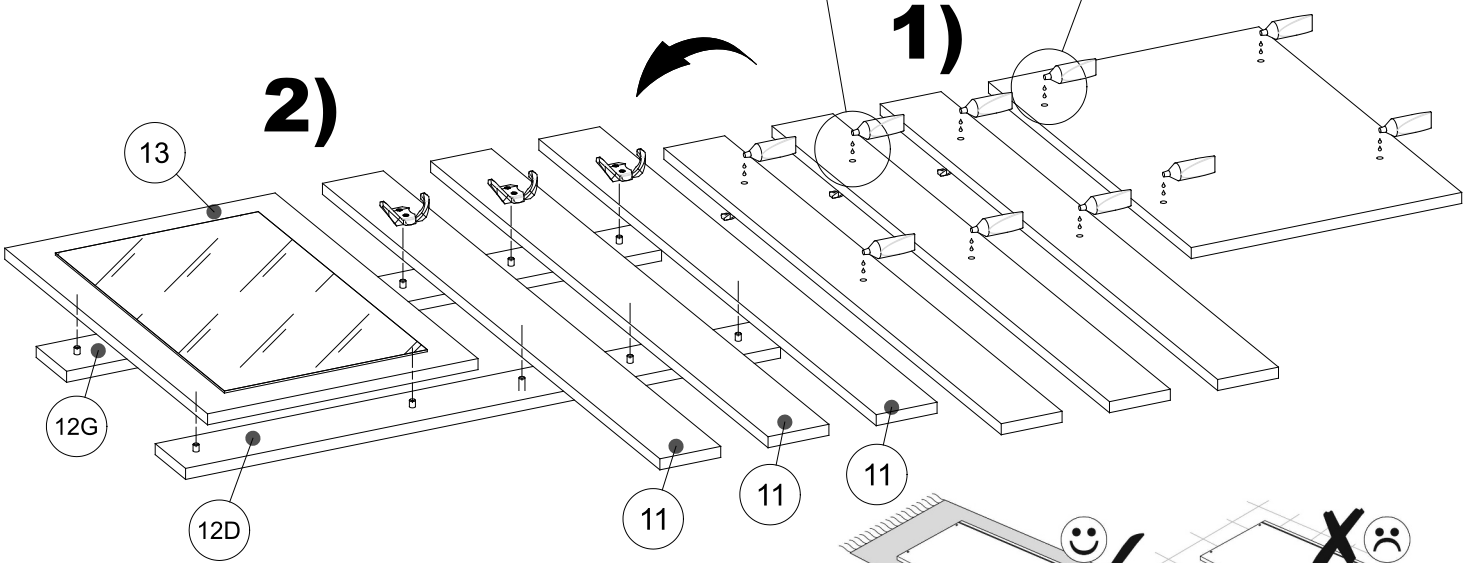
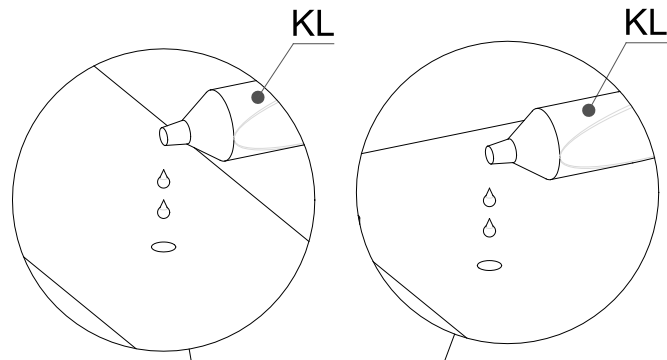
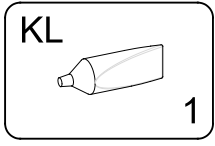
▶ 13



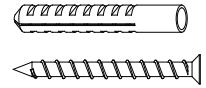
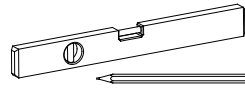
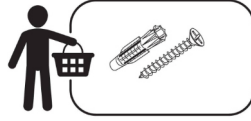
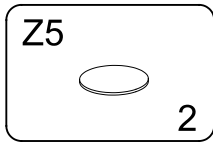
A3 8x20 10	KL 1
WP 3	W3 3.5x20 6



▶ 14



► 15



x2

L = min. 1400mm

