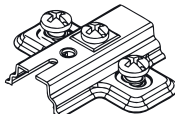
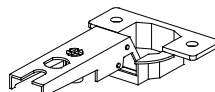

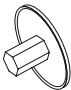

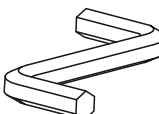
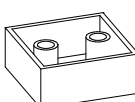

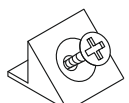

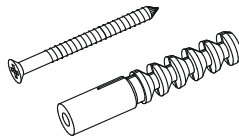
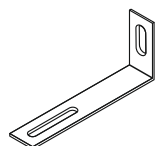
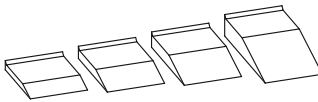
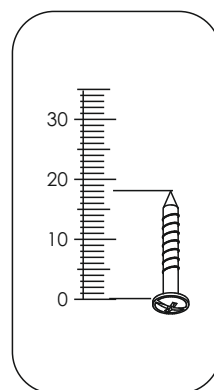


MM

A1	8 x 35 mm	x12	B0		x4	B1		x4
C1	4 x 13 mm	x8	D2		x16	E0		x8
E1	15 x 12 mm	x8	F1	6 x 34 mm	x8	G0		x4
G1	7 x 50 mm	x4	H1	L-148	x1	I2	4 x 16 mm	x5
I5	3,5 x 27 mm	x2	I12	4 x 30 mm	x8	M		x1
N1	3 X 16 mm	x5	O14		x4	P7		x1
R4		x12	R8		x2	S13		x1
Q9		x1	Z		x1			



260

250

240

230

220

210

200

190

180

170

160

150

140

130

120

110

100

90

80

70

60

50

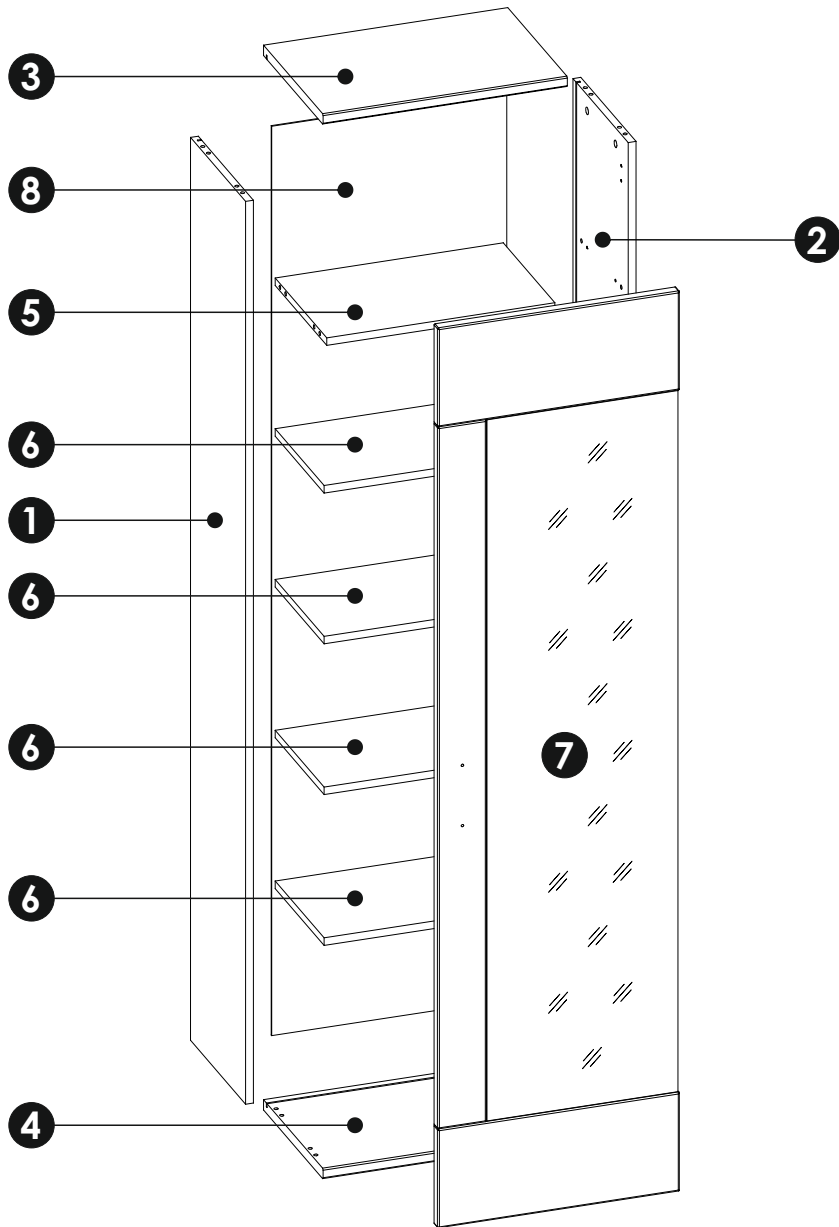
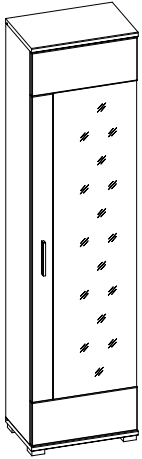
40

30

20

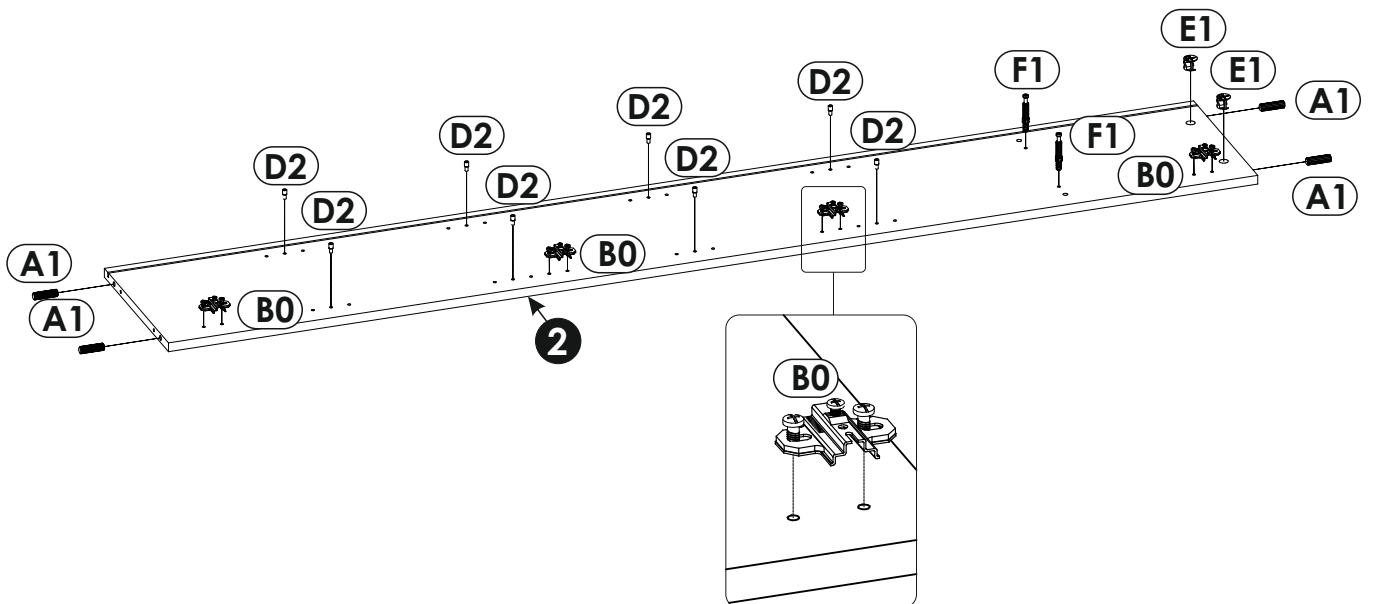
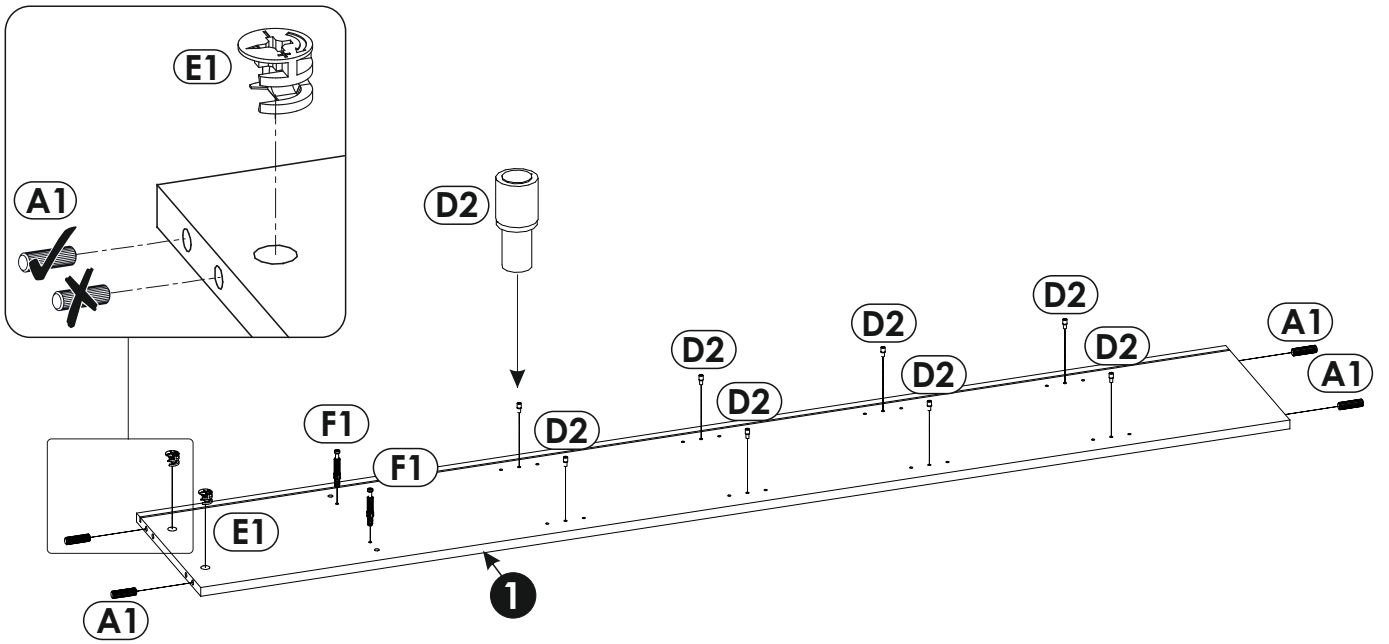
10

0

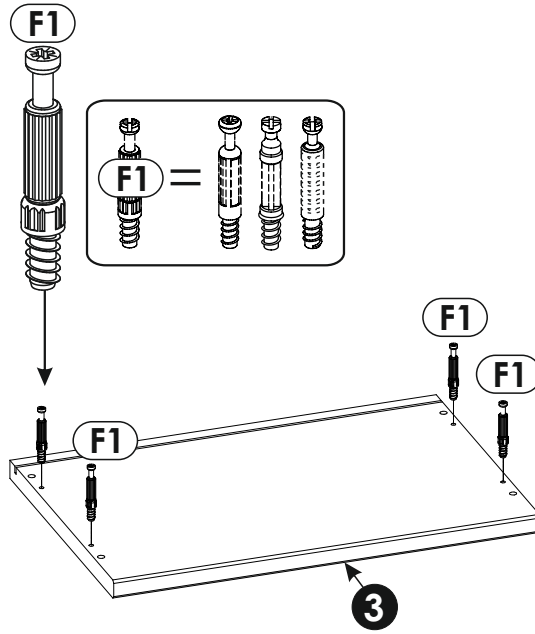


1	1916	310	16	x1	2/2
2	1916	310	16	x1	2/2
3	500	335	22	x1	1/2
4	500	335	22	x1	1/2

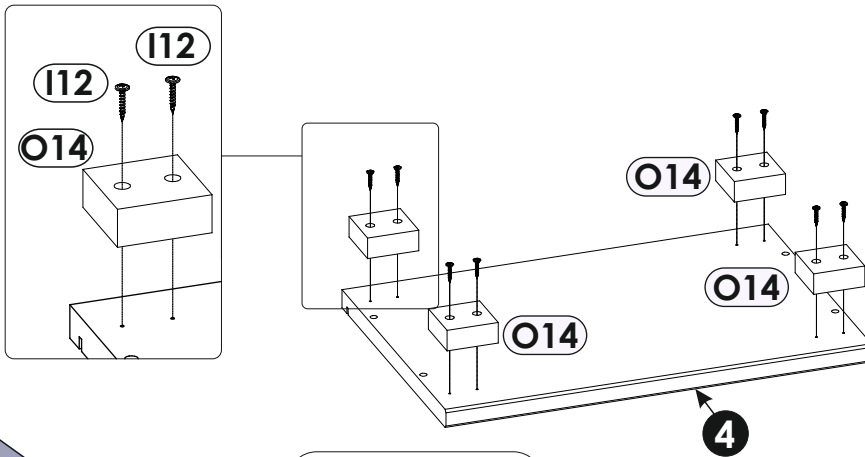
5	467	290	16	x1	1/2
6	467	275	16	x4	1/2
7	1910	495	22	x1	2/2
8	1930	481	3	x1	2/2



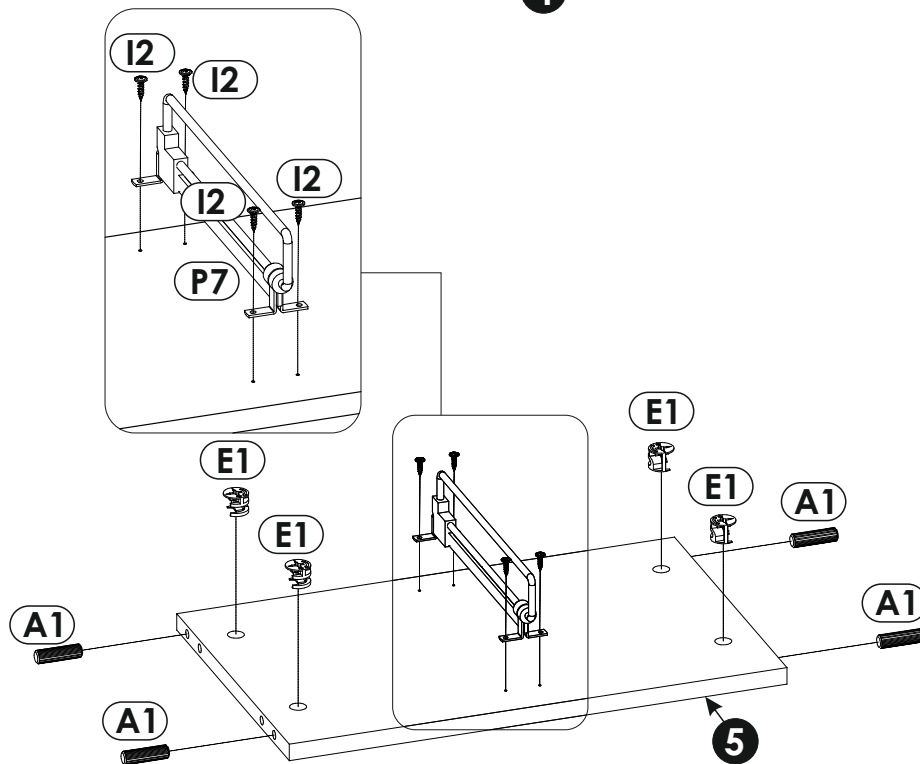
2 ▶



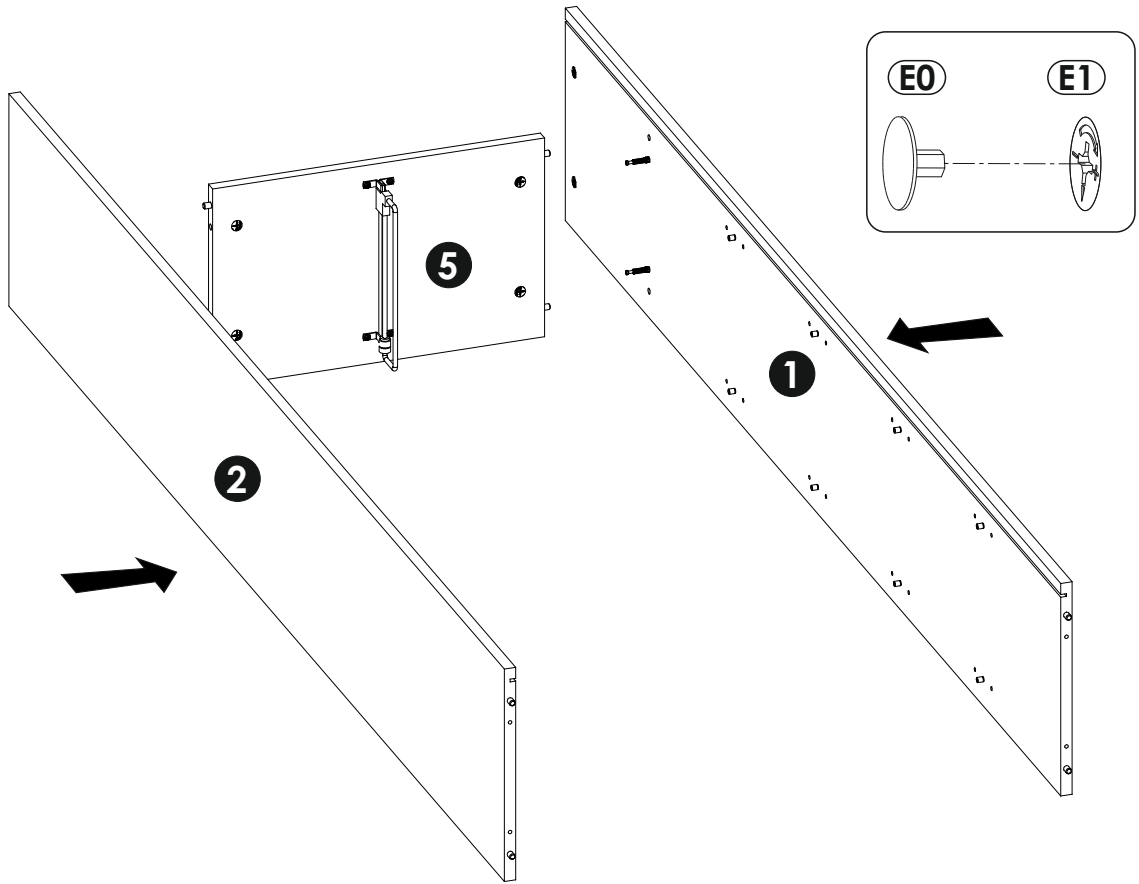
3 ▶



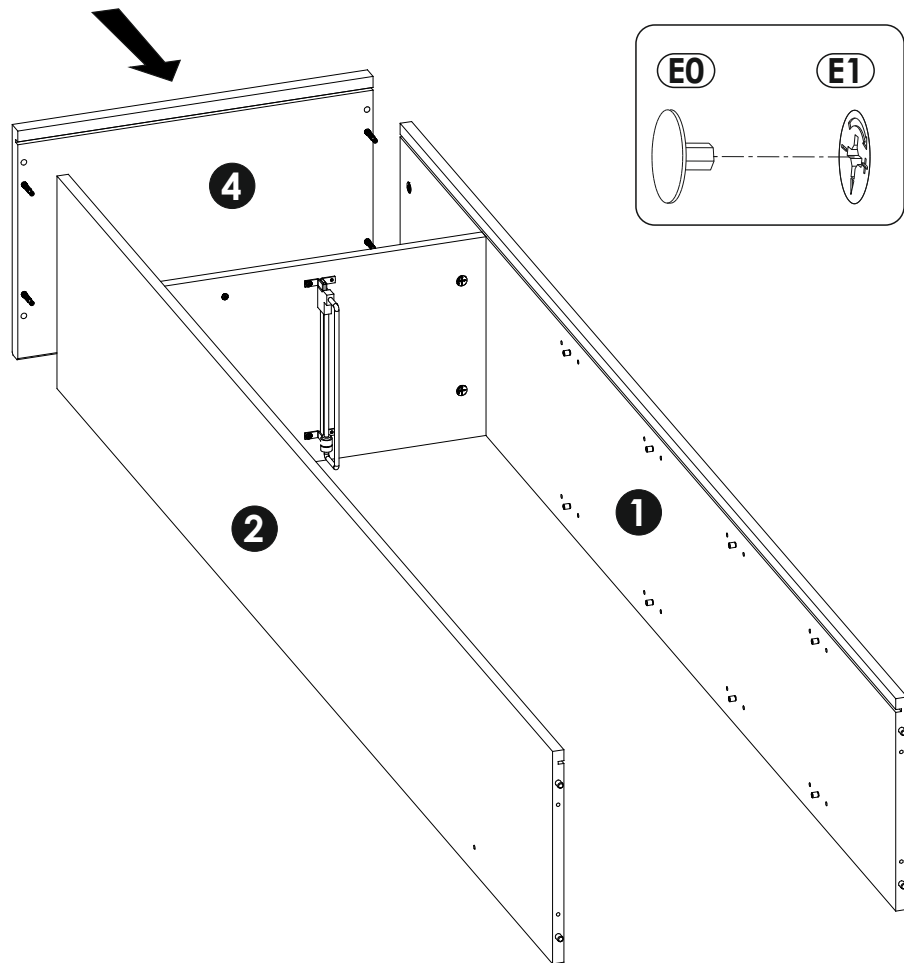
4 ▶



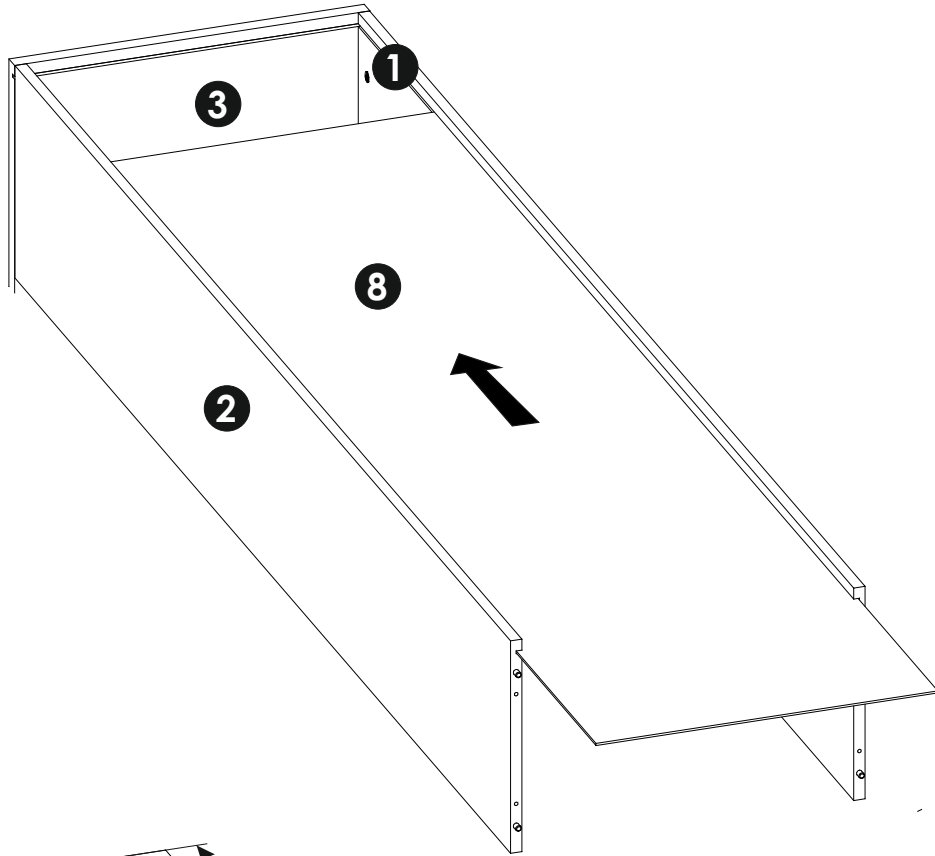
5 ▶



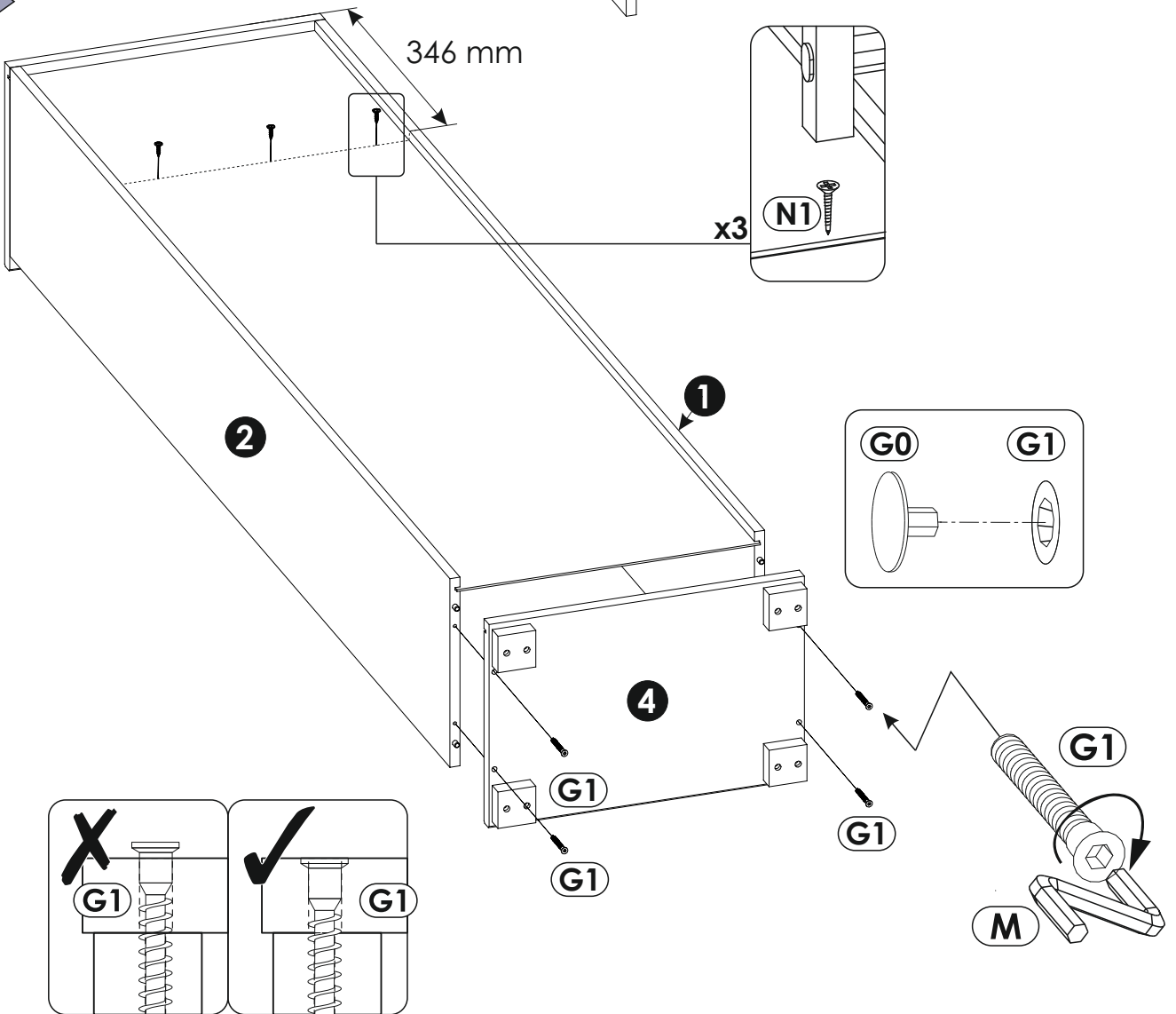
6 ▶



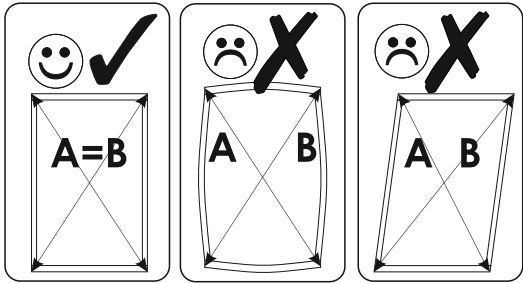
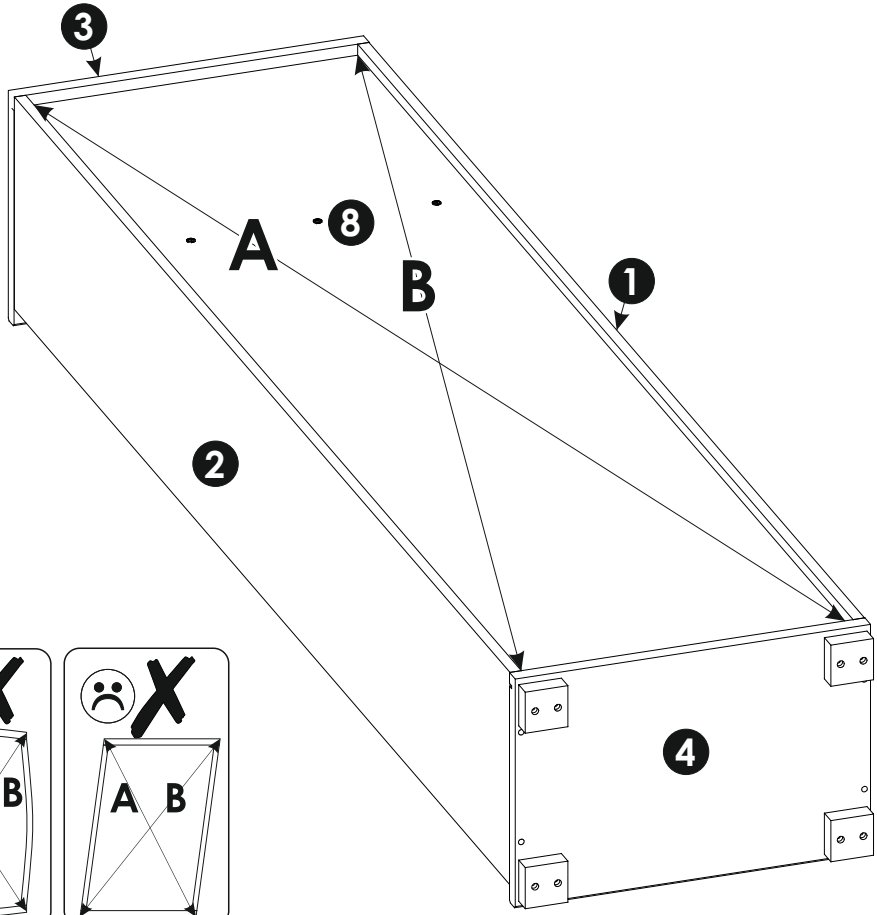
7 ▶



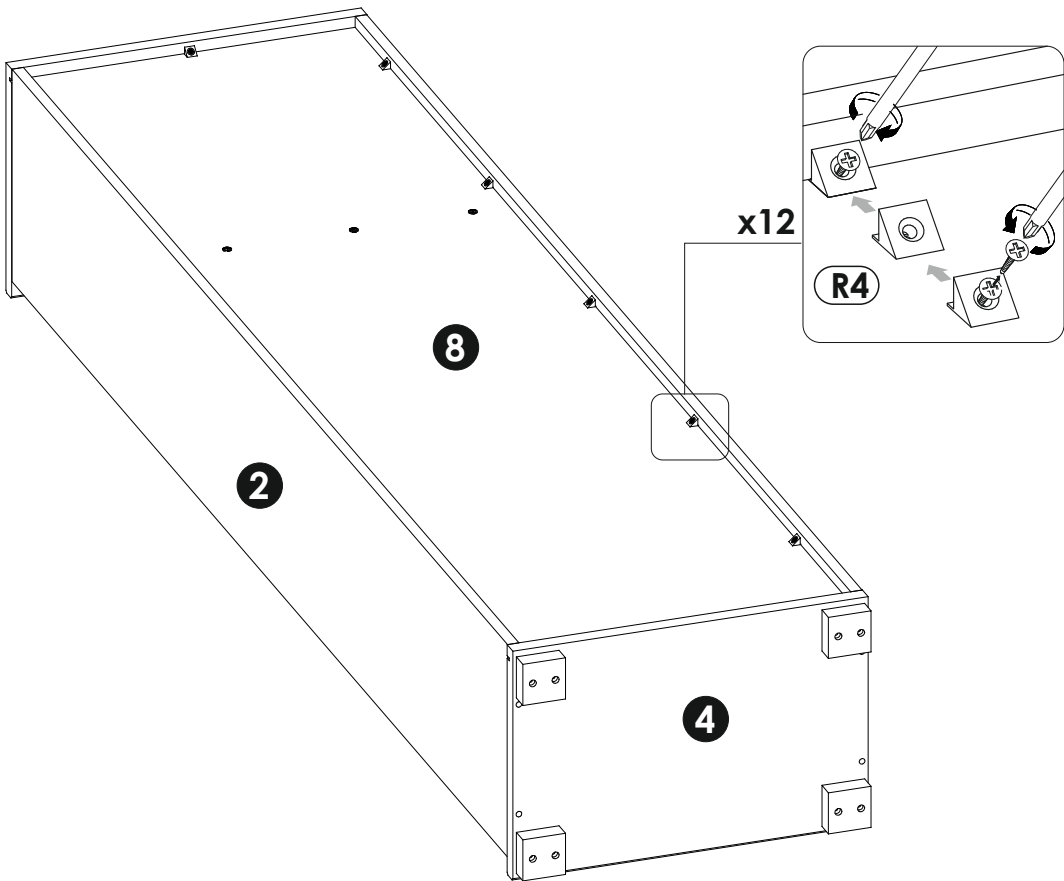
8 ▶

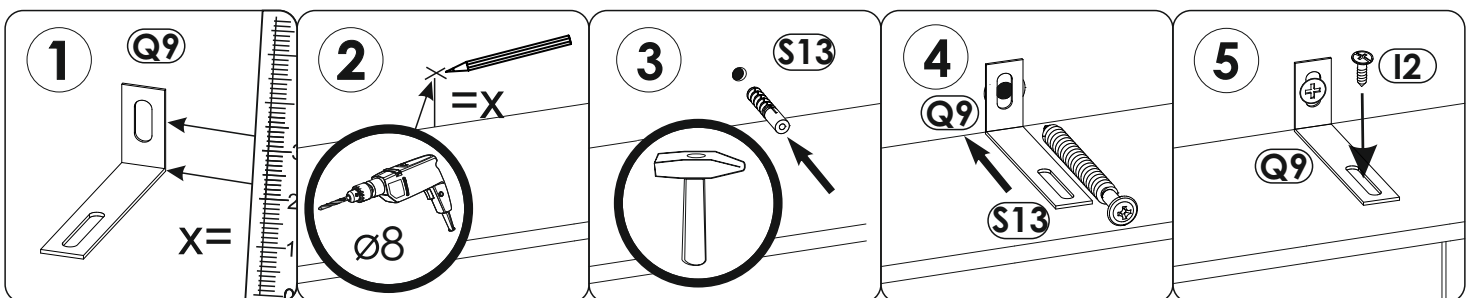
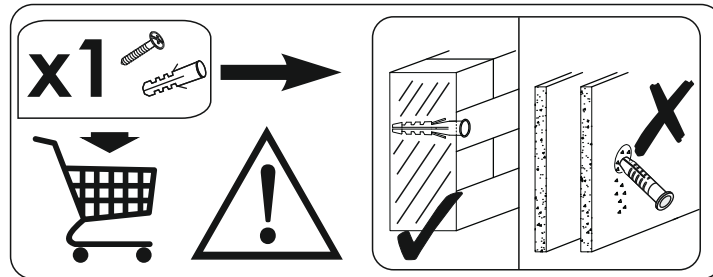
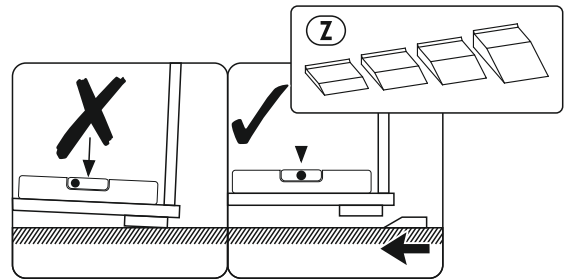
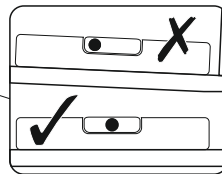
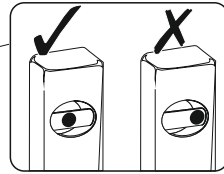
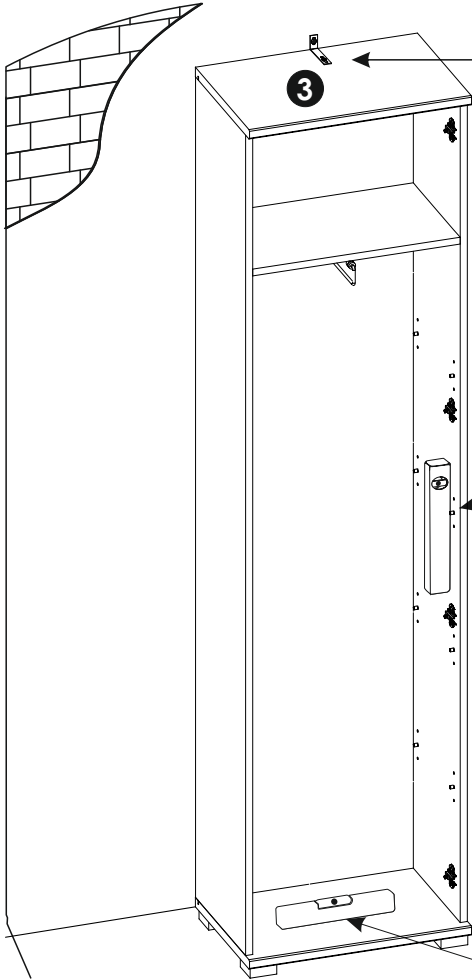
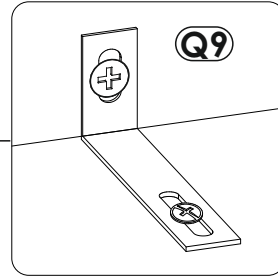
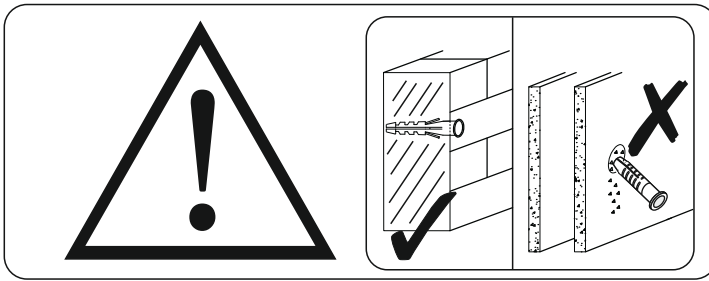


9 ▶

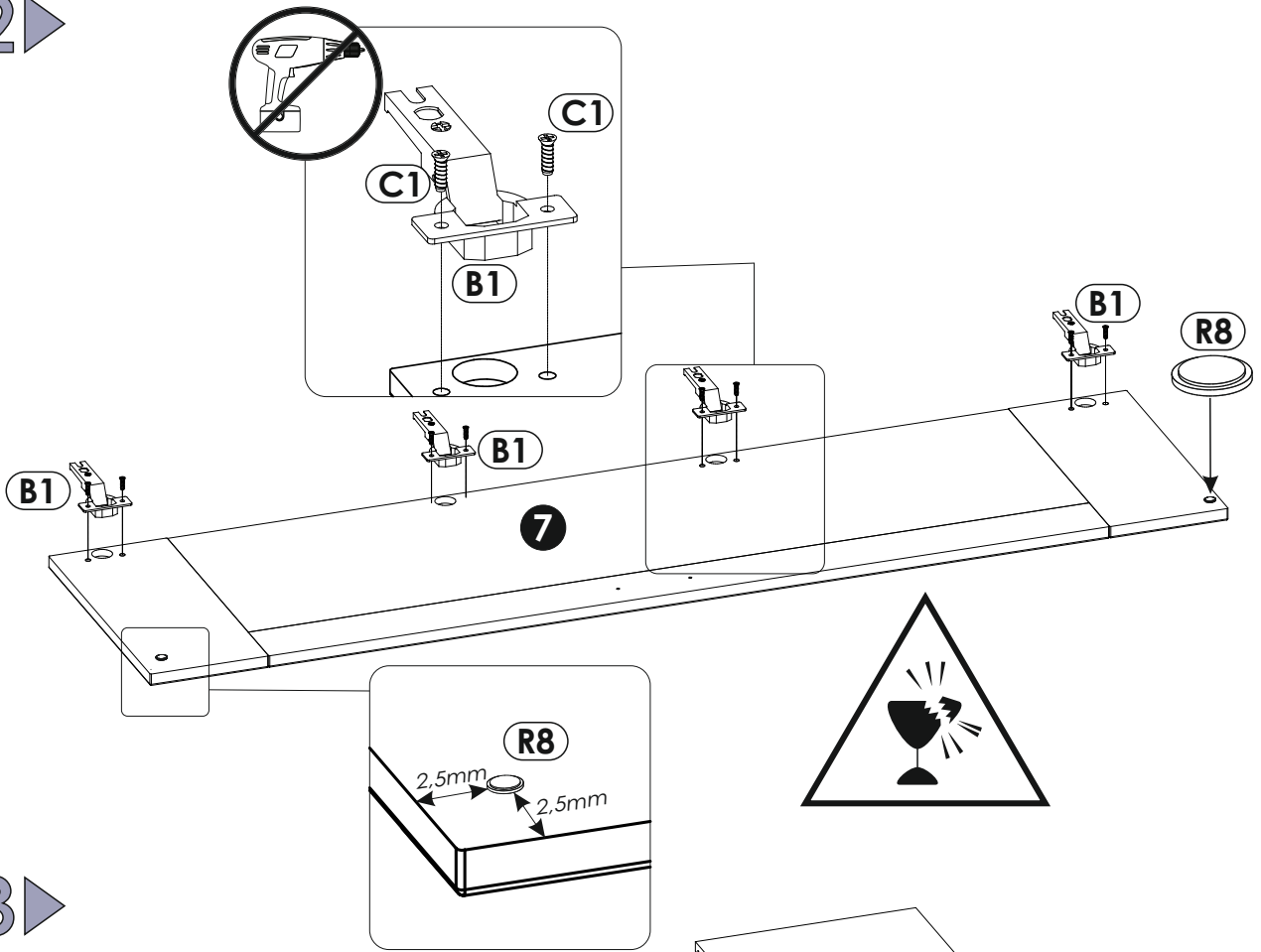


10 ▶





12 ▶



13 ▶

