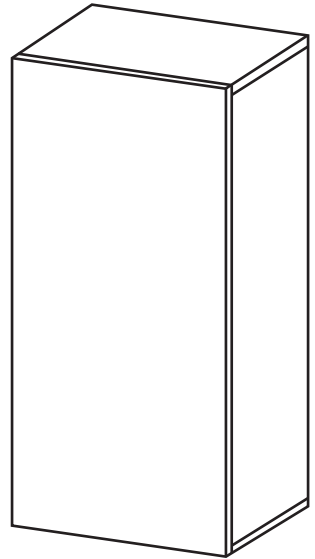
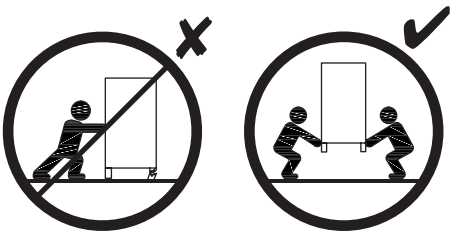


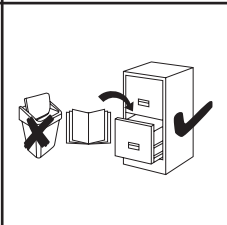
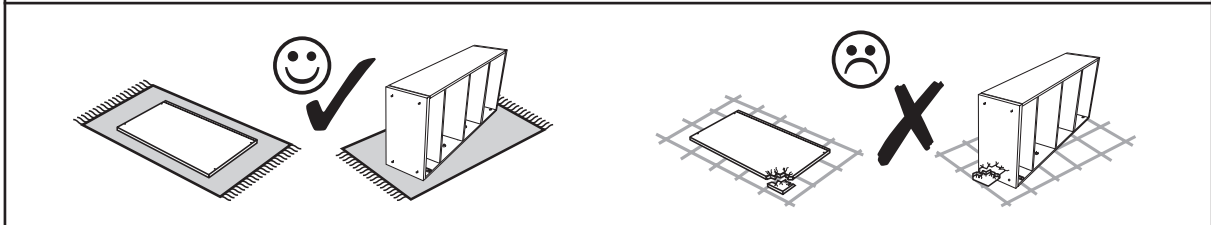
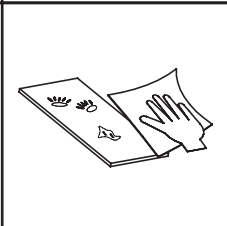
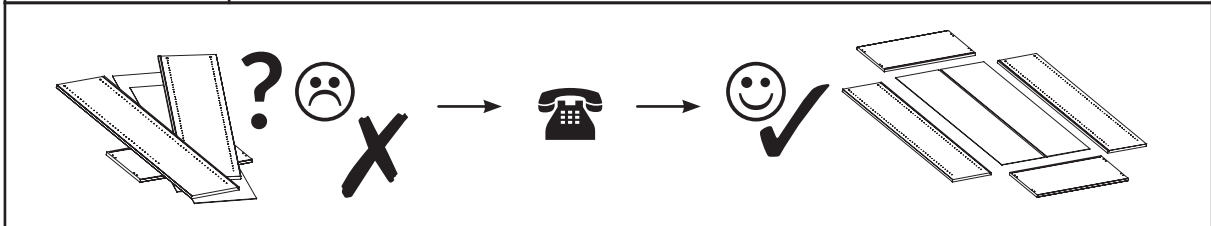
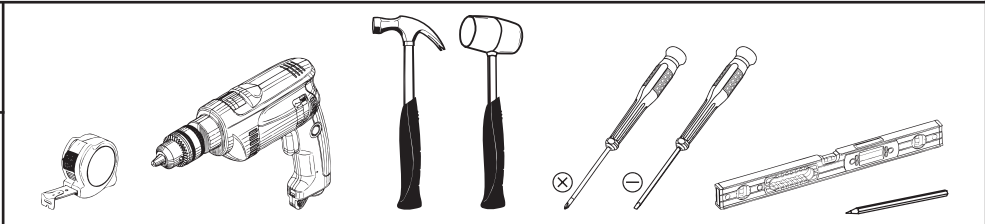
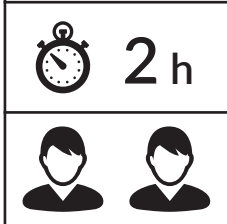
C

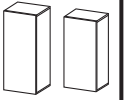


D



2020-06-16



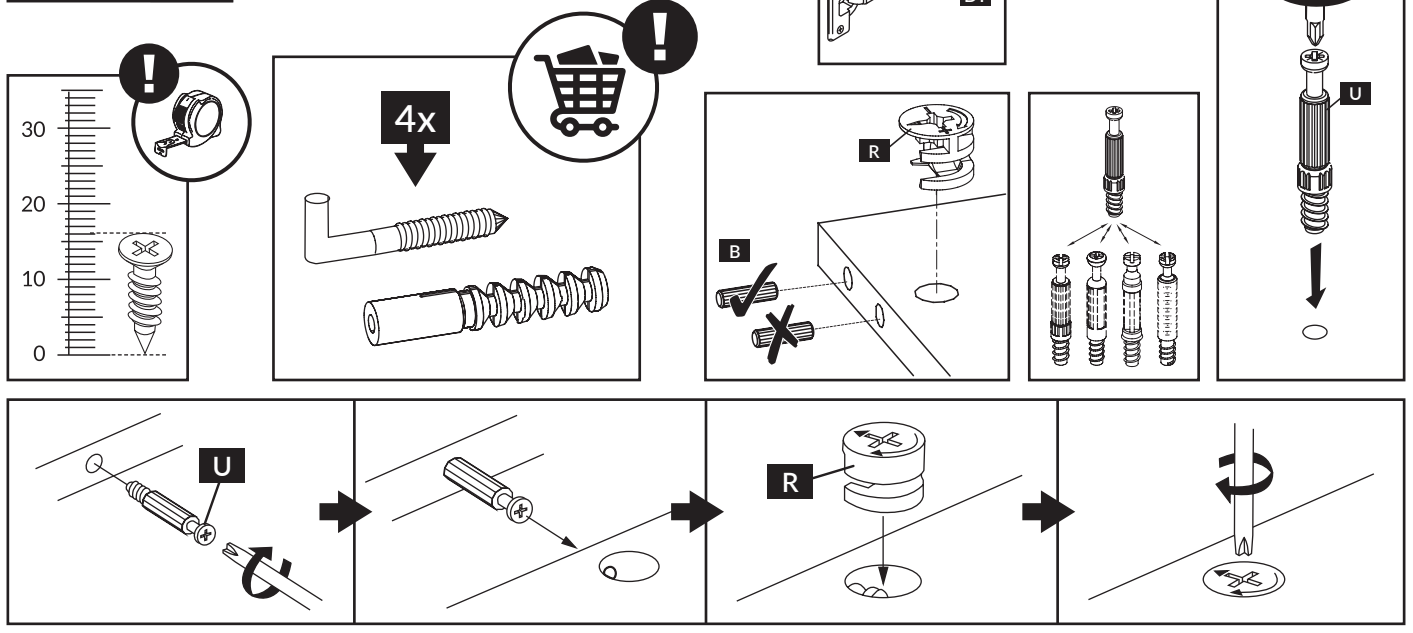


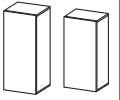
C:

B 8 x 32 mm x 8	C (P) x 2	DT x 2	E 3,5 x 13 mm x 6	H1 x 6	O2 x 1
P x 8	R H=11 mm x 8	U L=24,3 mm x 8	V2L x 1	V2P x 1	ZR Ø 15 x 8
Z10 Ø 10 x 4					

D:

B 8 x 32 mm x 8	C (P) x 2	DT x 2	E 3,5 x 13 mm x 6	H1 x 6	O2 x 1
P x 8	R H=11 mm x 8	U L=24,3 mm x 8	V2L x 1	V2P x 1	ZR Ø 15 x 8
Z10 Ø 10 x 4					

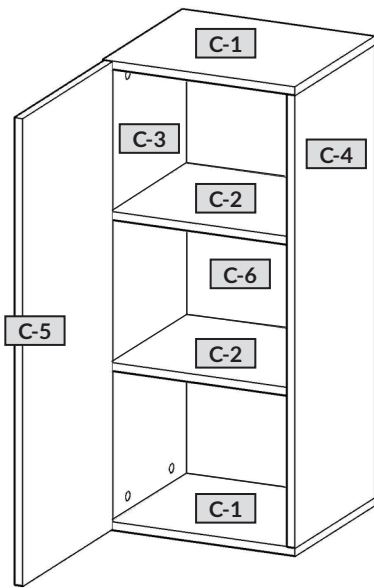
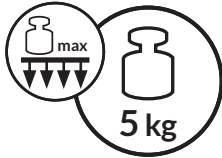





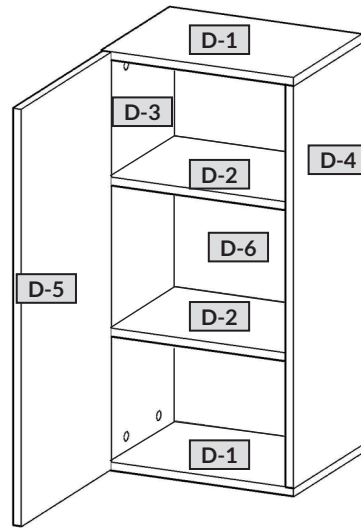
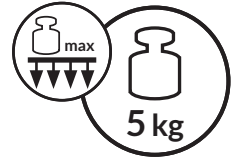
nr	↔ [mm]	↓ [mm]	∅ [mm]	Menge	Colli
C-1	400	350	16	x2	1/1
C-2	368	335	16	x2	1/1
C-3	898	350	16	x1	1/1
C-4	898	350	16	x1	1/1
C-5	926	396	16	x1	1/1
C-6	380	911	3	x1	1/1


nr	↔ [mm]	↓ [mm]	∅ [mm]	Menge	Colli
D-1	400	300	16	x2	1/1
D-2	368	285	16	x2	1/1
D-3	798	300	16	x1	1/1
D-4	798	300	16	x1	1/1
D-5	396	826	16	x1	1/1
D-6	380	811	3	x1	1/1

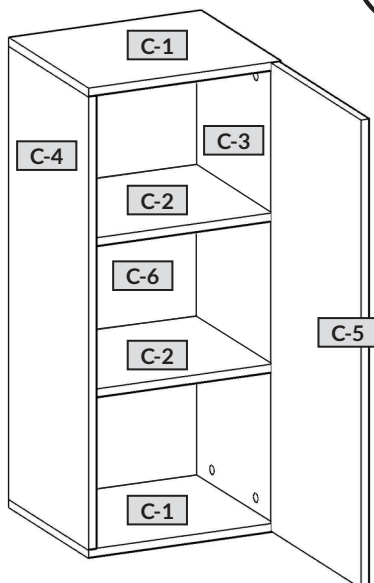
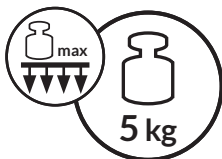
CL  4/14



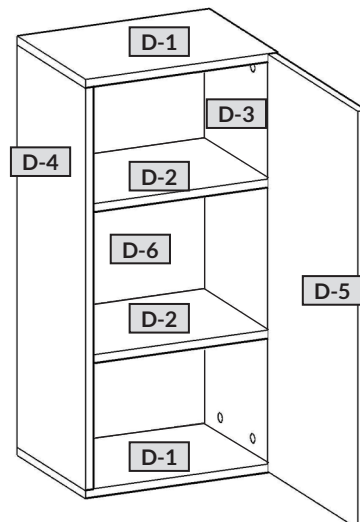
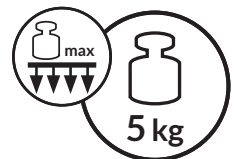
DL  8/14



CP  6/14

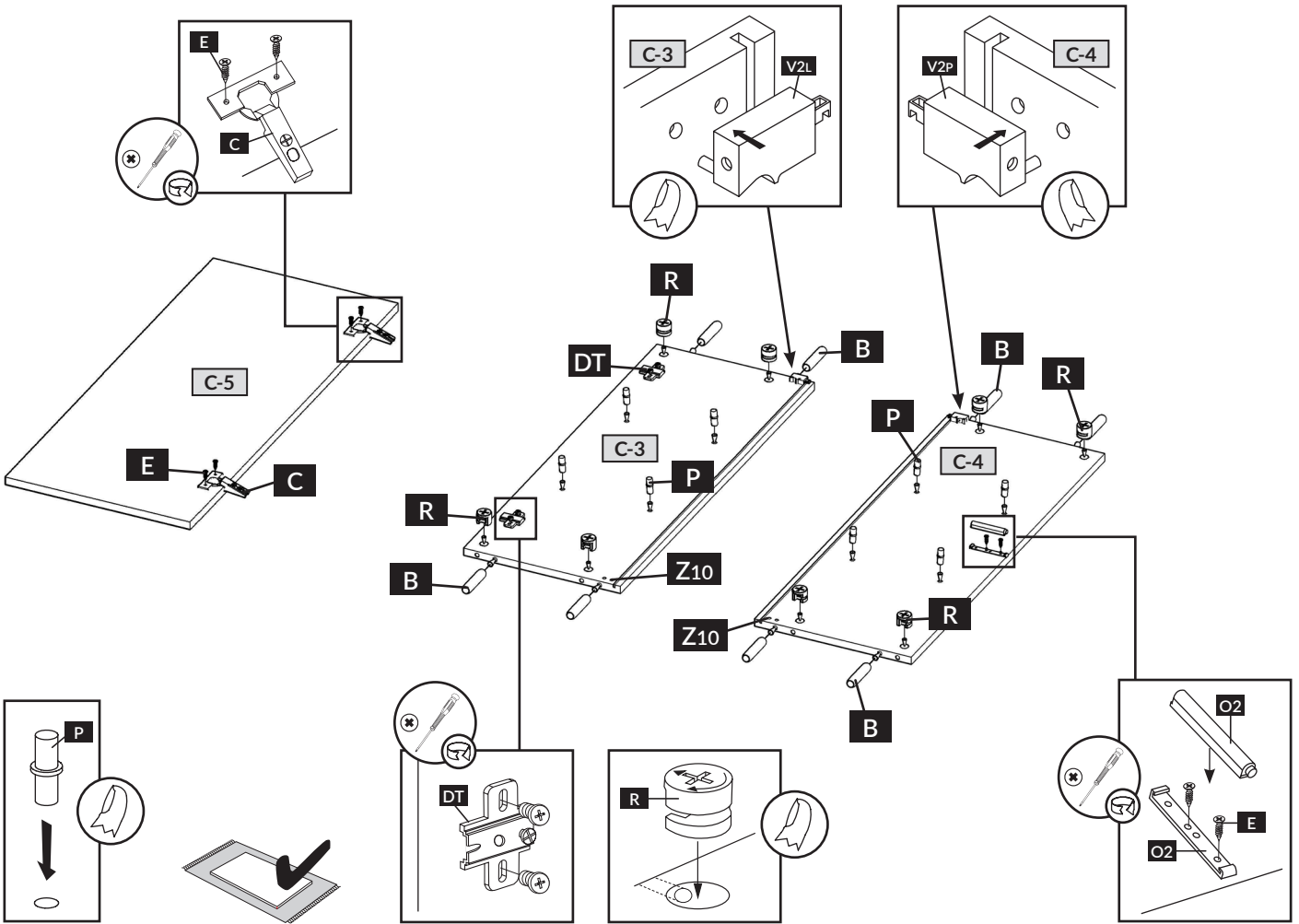
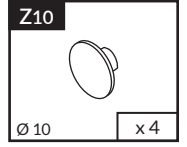
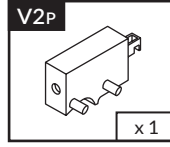
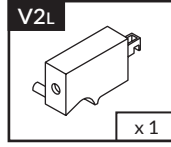
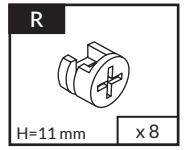
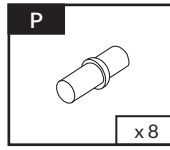
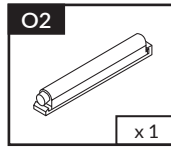
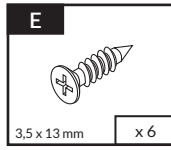
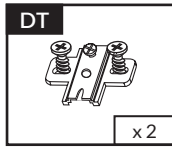
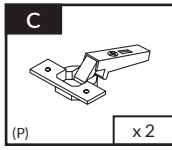
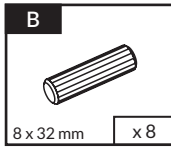
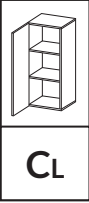


DP  10/14

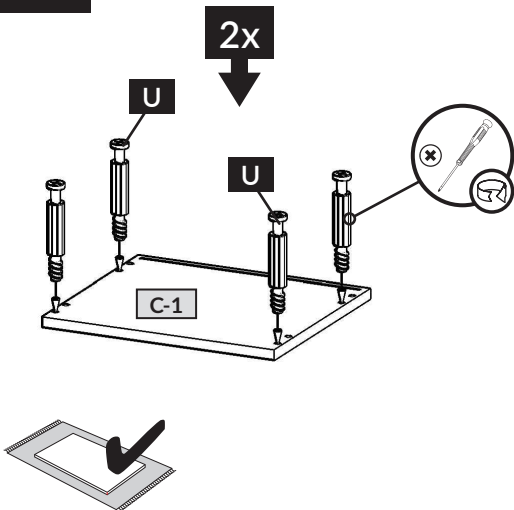




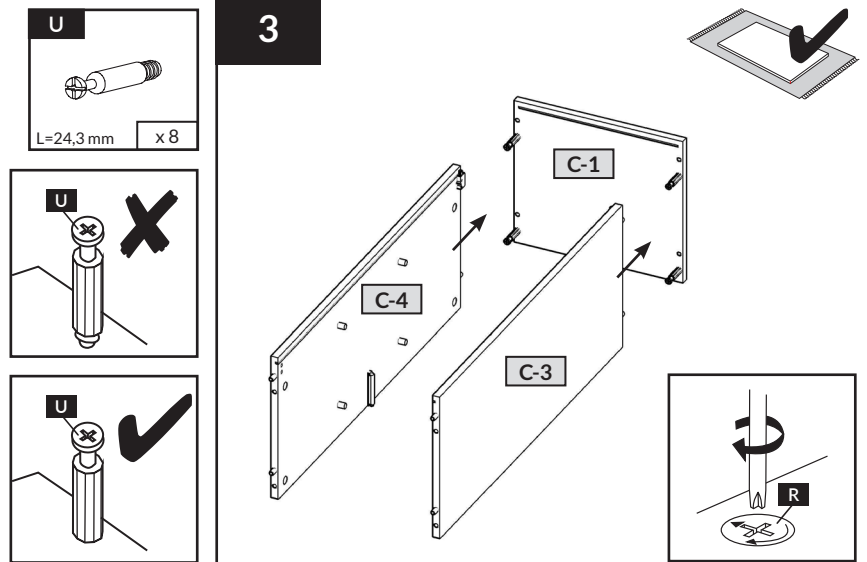
1



2



3





4

Diagram 4 shows the assembly of the top panel. The main frame consists of panels C-1, C-3, and C-6. A door panel C-1 is being attached to the side. A checkmark icon is shown below. An inset shows a screw being inserted into a hole labeled 'R'.

5

Diagram 5 shows the attachment of hinges H1 to the top edge of the frame. A callout shows 6 hinges (x6). A warning icon shows a square with A=B and another with 90 degrees. An inset shows a screw being inserted into a hole labeled 'H1'.

6

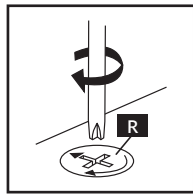
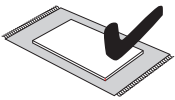
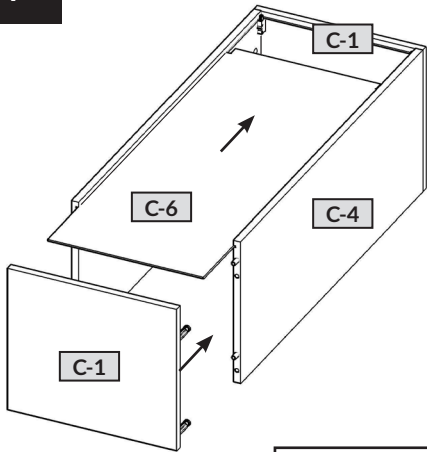
Diagram 6 shows the attachment of the door C-5 and shelves C-2. A callout shows 8 shelves (x8) with diameter Ø 15. A warning icon shows a door being attached. An inset shows a screw being inserted into a hole labeled 'ZR'.

7

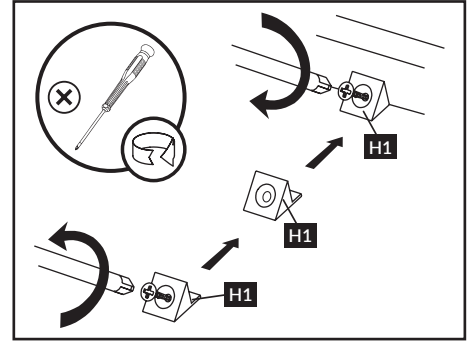
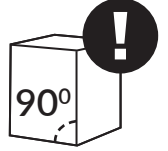
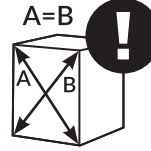
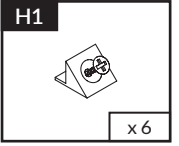
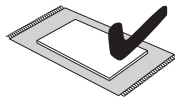
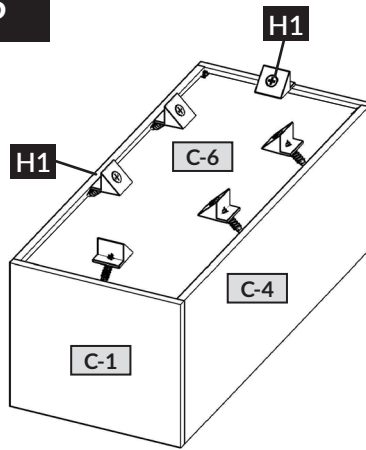
Diagram 7 shows the final assembly and dimensions. The main body is 374 mm wide. The top edge is 25 mm high, and the bottom edge is 40 mm high. A callout shows 2x V2L and V2P components. A warning icon shows a shopping cart. An inset shows a checkmark and a cross.



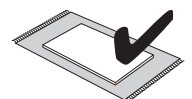
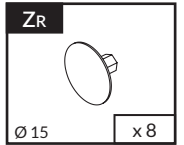
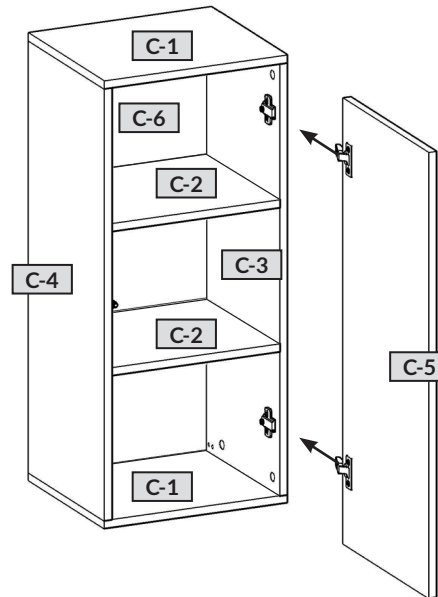
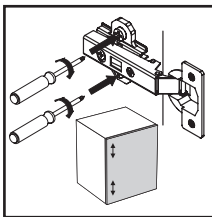
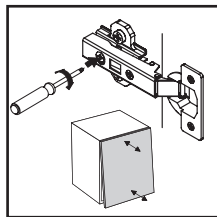
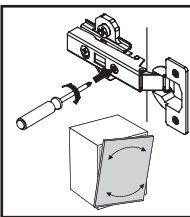
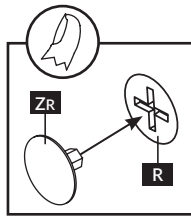
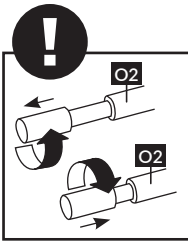
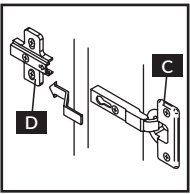
4



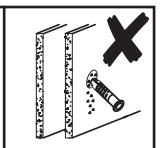
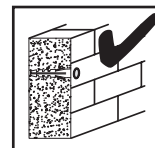
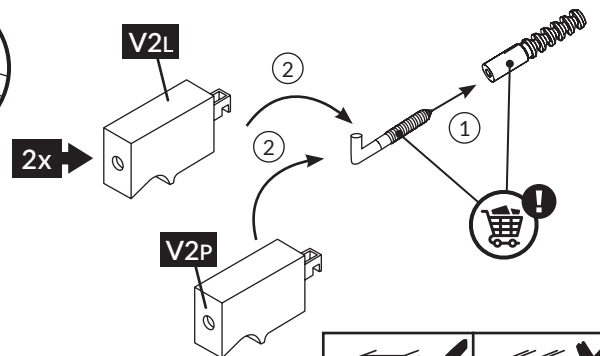
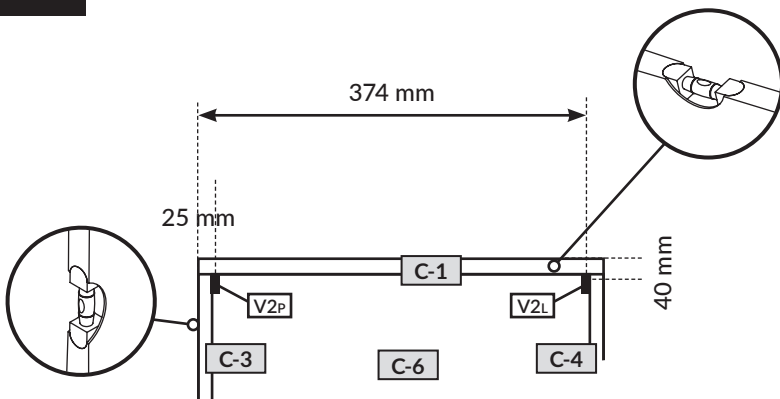
5



6



7

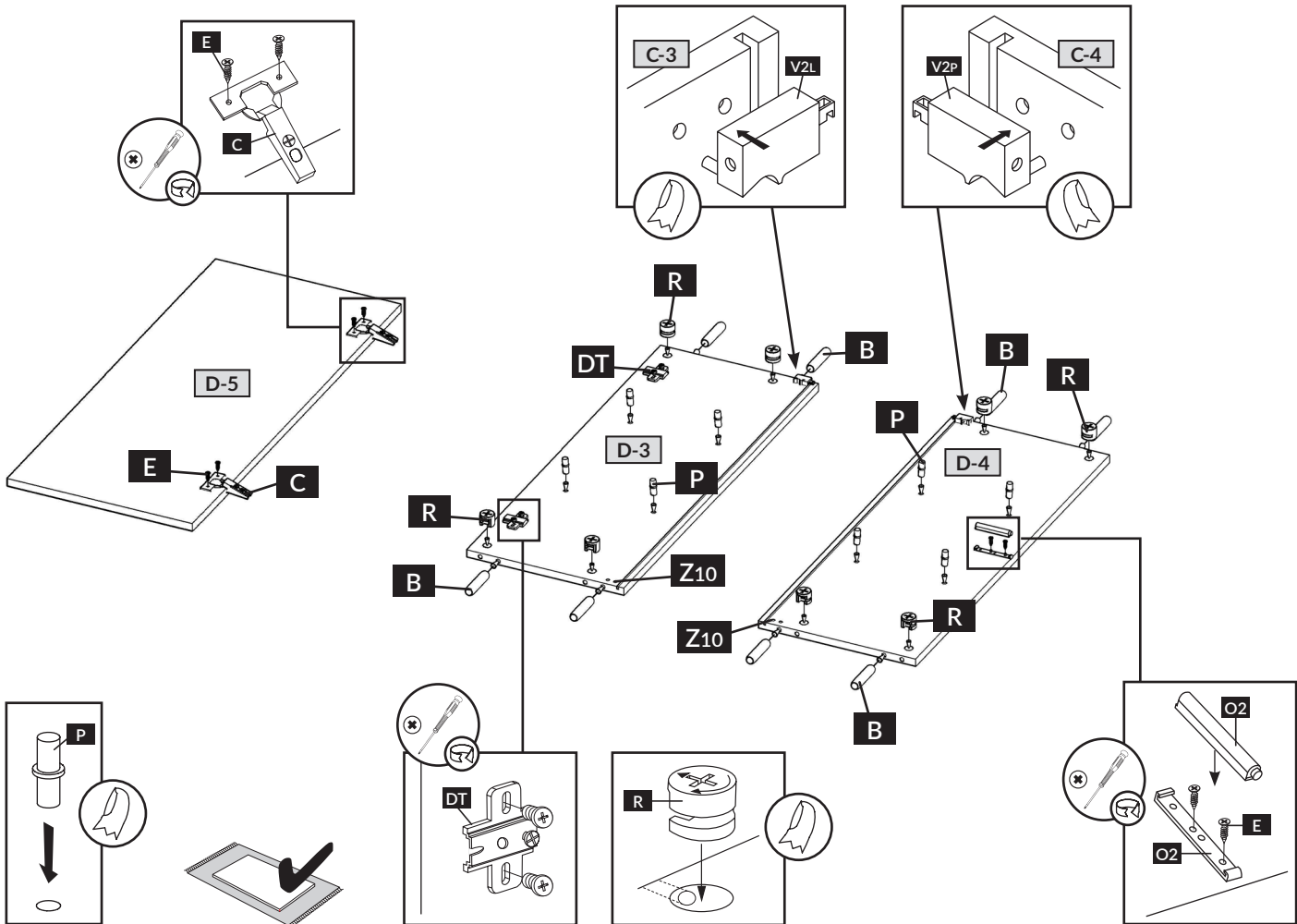




1

DL

B 8 x 32 mm x 8	C (P) x 2	DT x 2	E 3,5 x 13 mm x 6	O2 x 1	P x 8	R H=11 mm x 8
				V2L x 1	V2P x 1	Z10 Ø 10 x 4



2

U
L=24,3 mm x 8

Diagram illustrating the installation of screws (U) into the frame. The screws are shown being inserted into the frame (D-1). Callouts show the correct orientation and placement of the screws, with a checkmark indicating the correct method and an 'X' indicating an incorrect method.

3

Diagram illustrating the final assembly of the frame components (D-1, D-3, D-4). The components are shown being joined together to complete the frame structure. Callouts show the final assembly steps, including the insertion of a component into the frame and the final tightening of a screw.



4

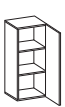
5

6

7

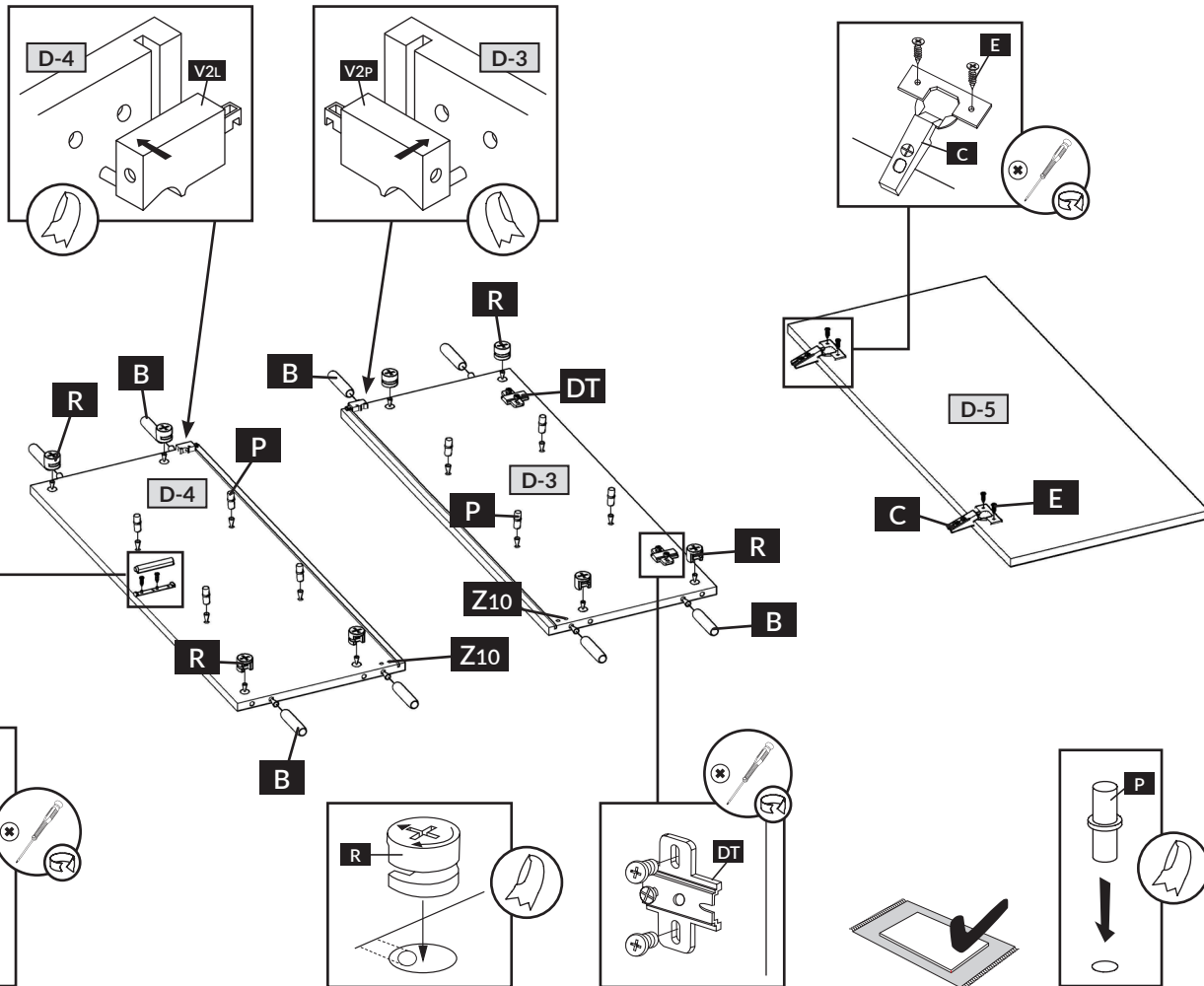


1

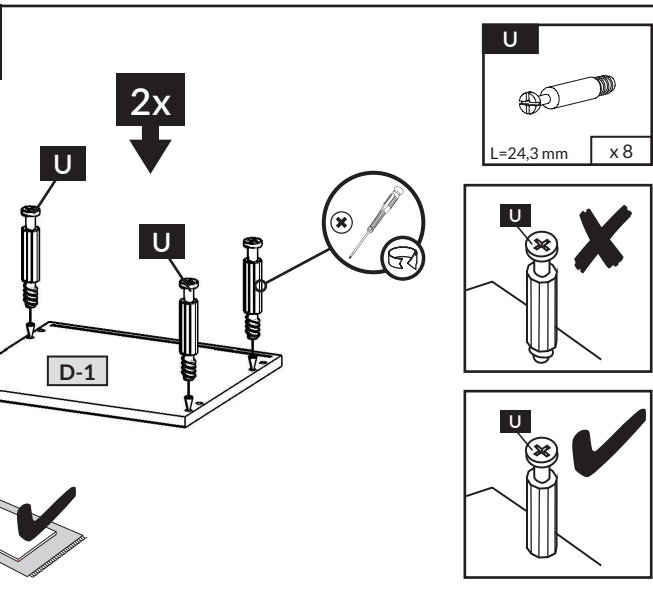


DP

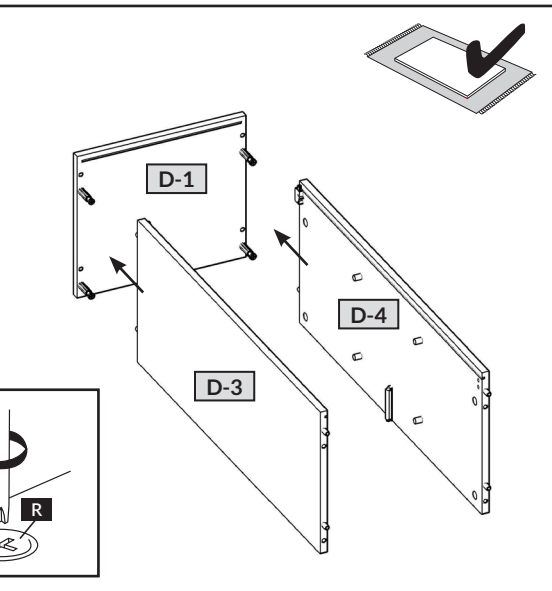
- | | | | | | | |
|---------------------------|---------------------|------------------|-----------------------------|-------------------|-------------------|-------------------------|
| B
8 x 32 mm x 8 | C
(P) x 2 | DT
x 2 | E
3,5 x 13 mm x 6 | O2
x 1 | P
x 8 | R
H=11 mm x 8 |
| | | | | V2L
x 1 | V2P
x 1 | Z10
Ø 10 x 4 |



2

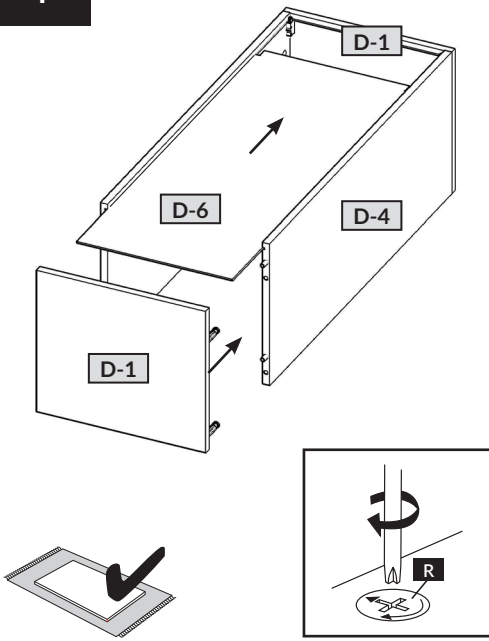


3

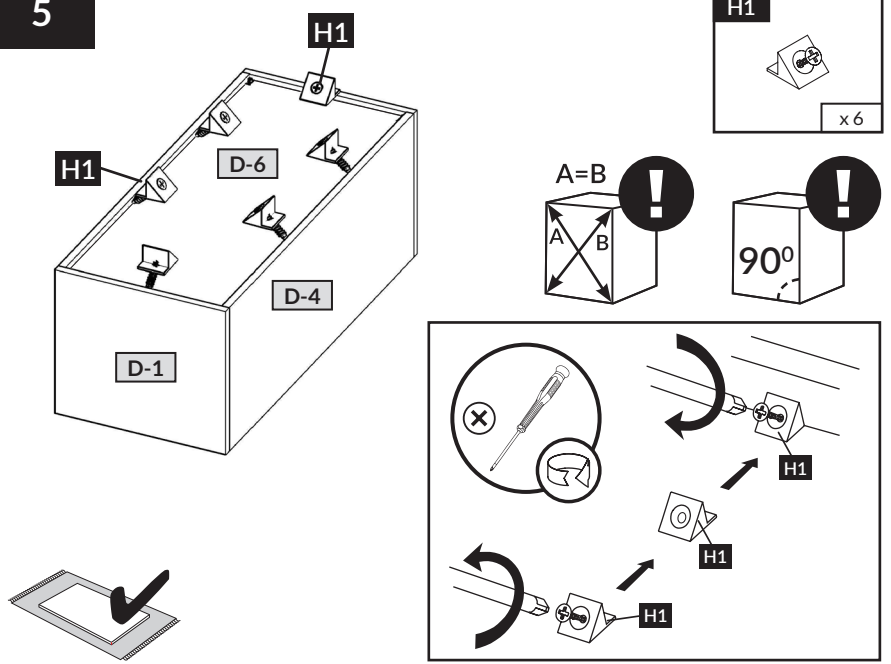




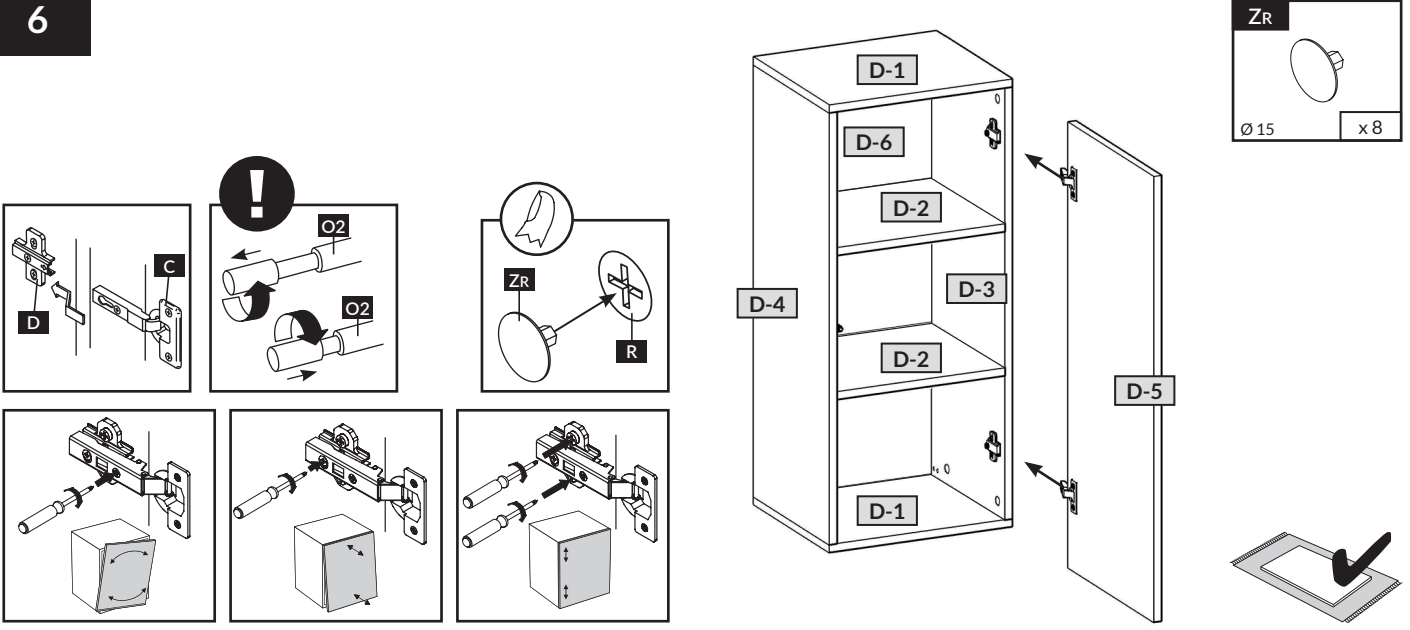
4



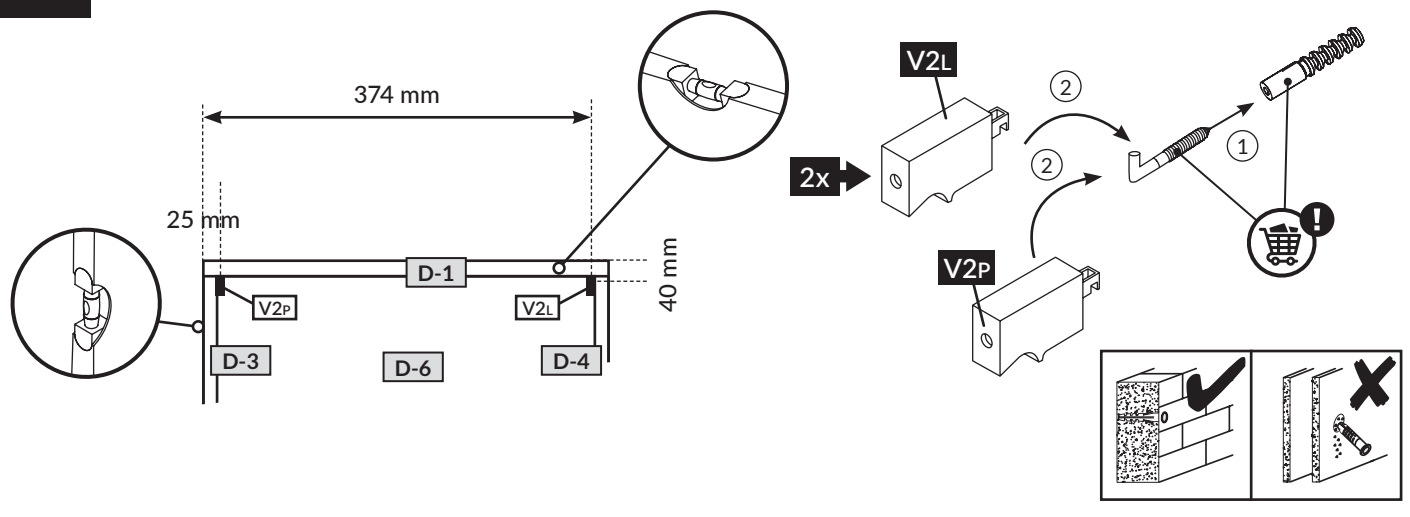
5



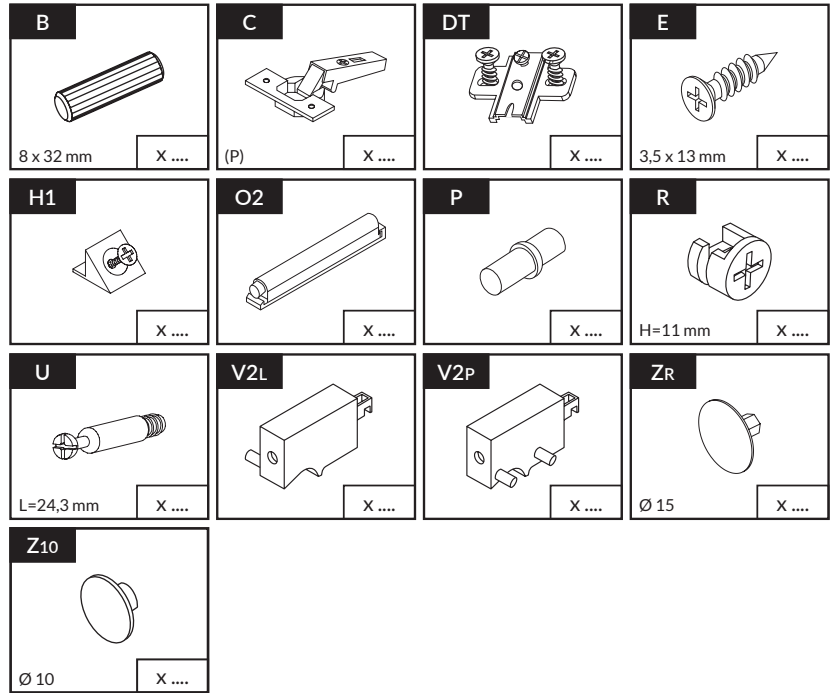
6



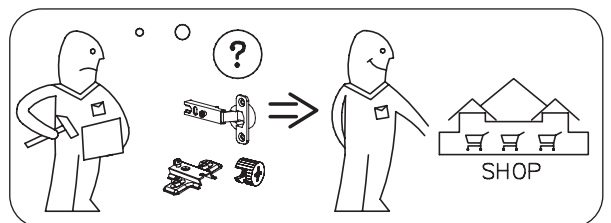
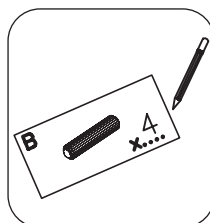
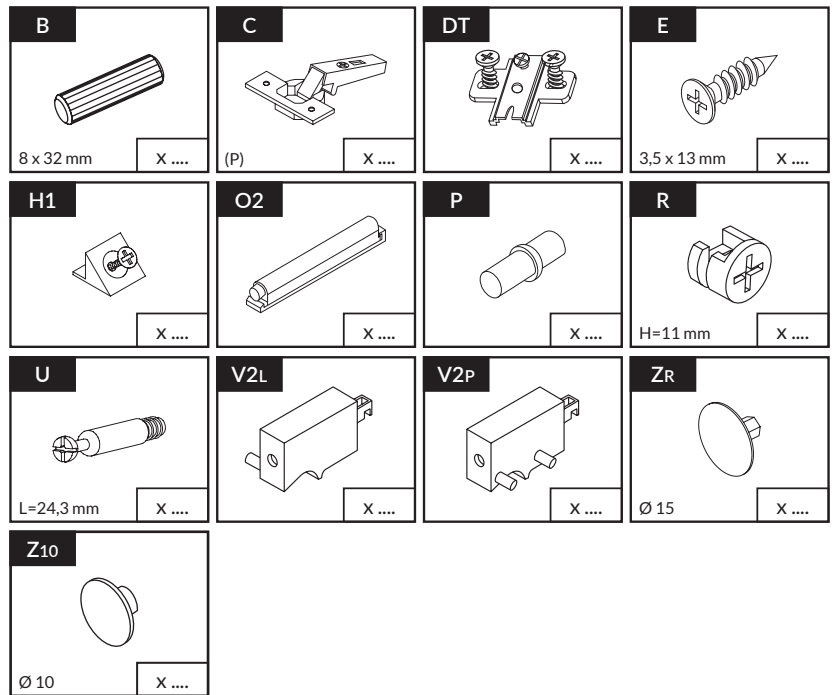
7



C:



D:



nr	↔ [mm]	↓ [mm]	↗ [mm]	Menge	Colli
C-1	400	350	16	x 2	1/1
C-2	368	335	16	x 2	1/1
C-3	898	350	16	x 1	1/1
C-4	898	350	16	x 1	1/1
C-5	926	396	16	x 1	1/1
C-6	380	911	3	x 1	1/1

nr	↔ [mm]	↓ [mm]	↗ [mm]	Menge	Colli
D-1	400	300	16	x 2	1/1
D-2	368	285	16	x 2	1/1
D-3	798	300	16	x 1	1/1
D-4	798	300	16	x 1	1/1
D-5	396	826	16	x 1	1/1
D-6	380	811	3	x 1	1/1

