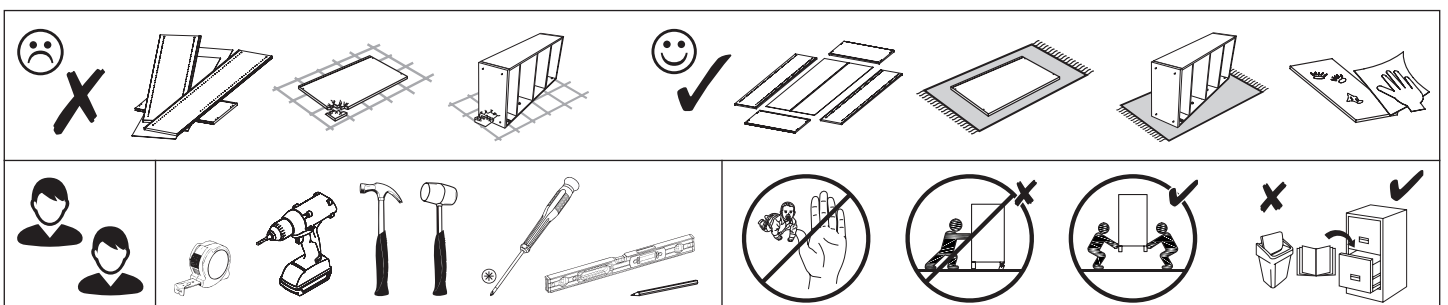
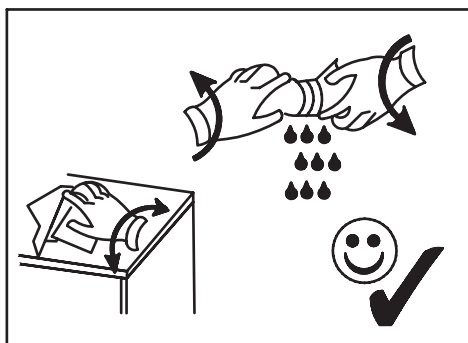
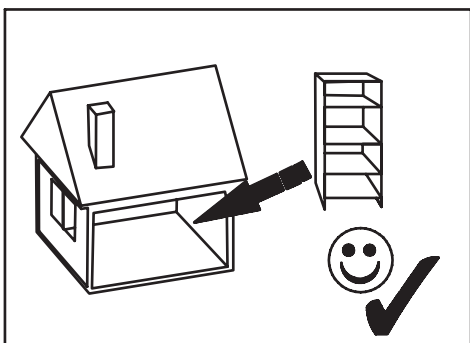
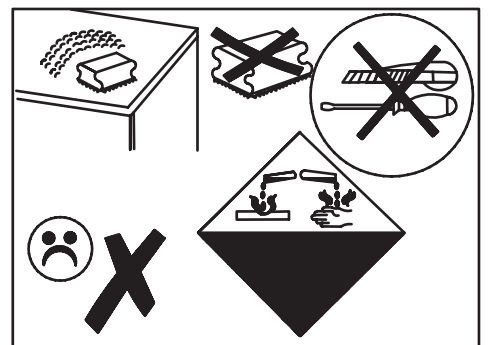
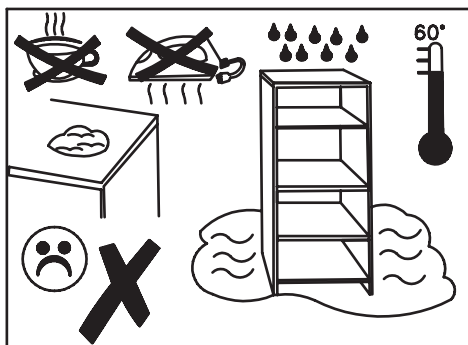
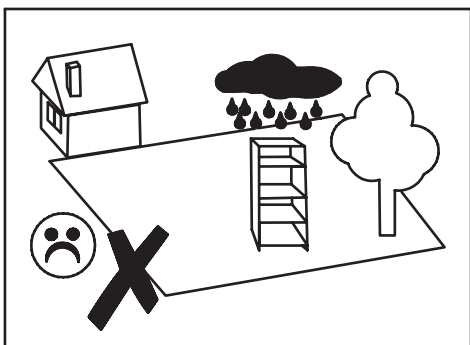
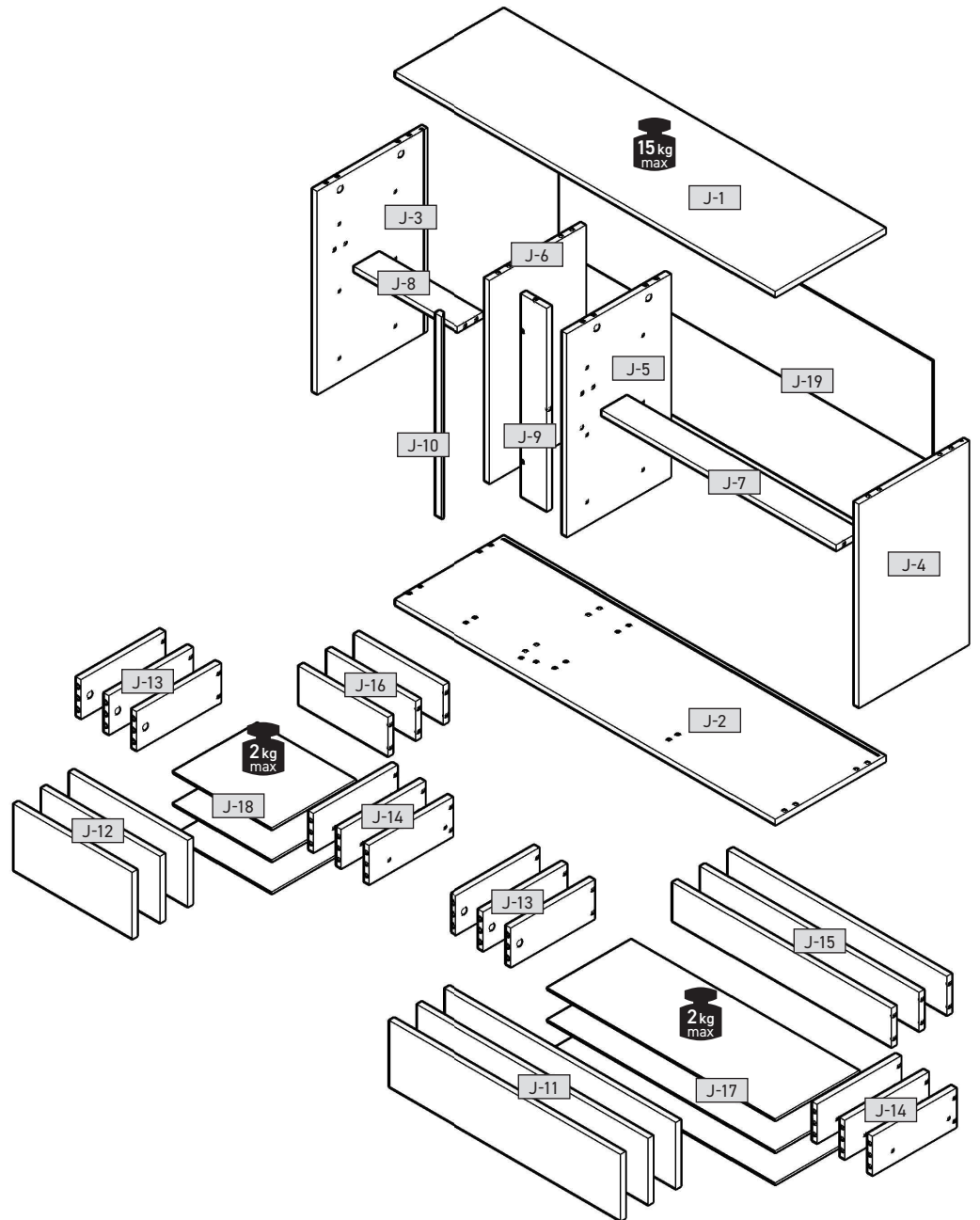
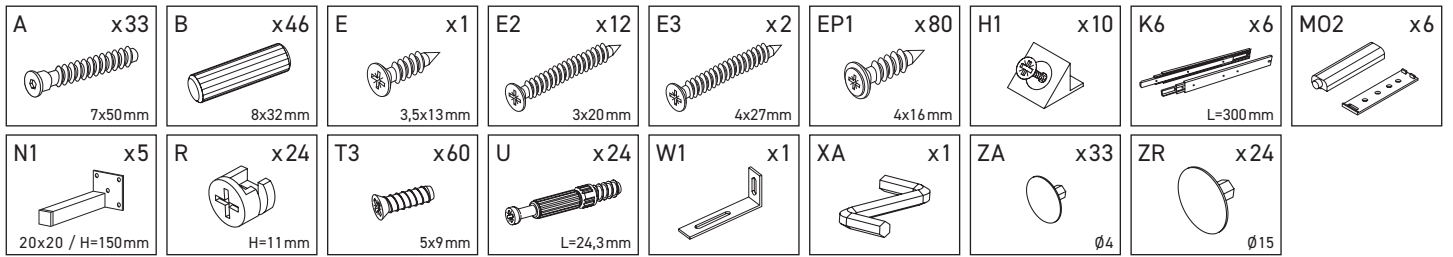


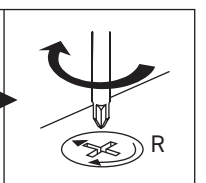
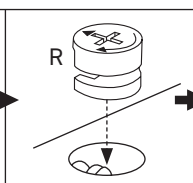
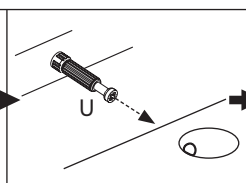
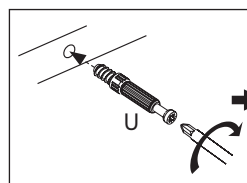
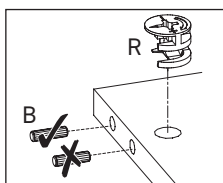
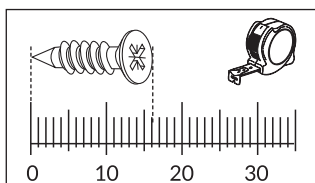
2023-04-26







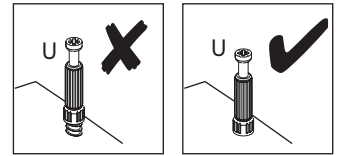
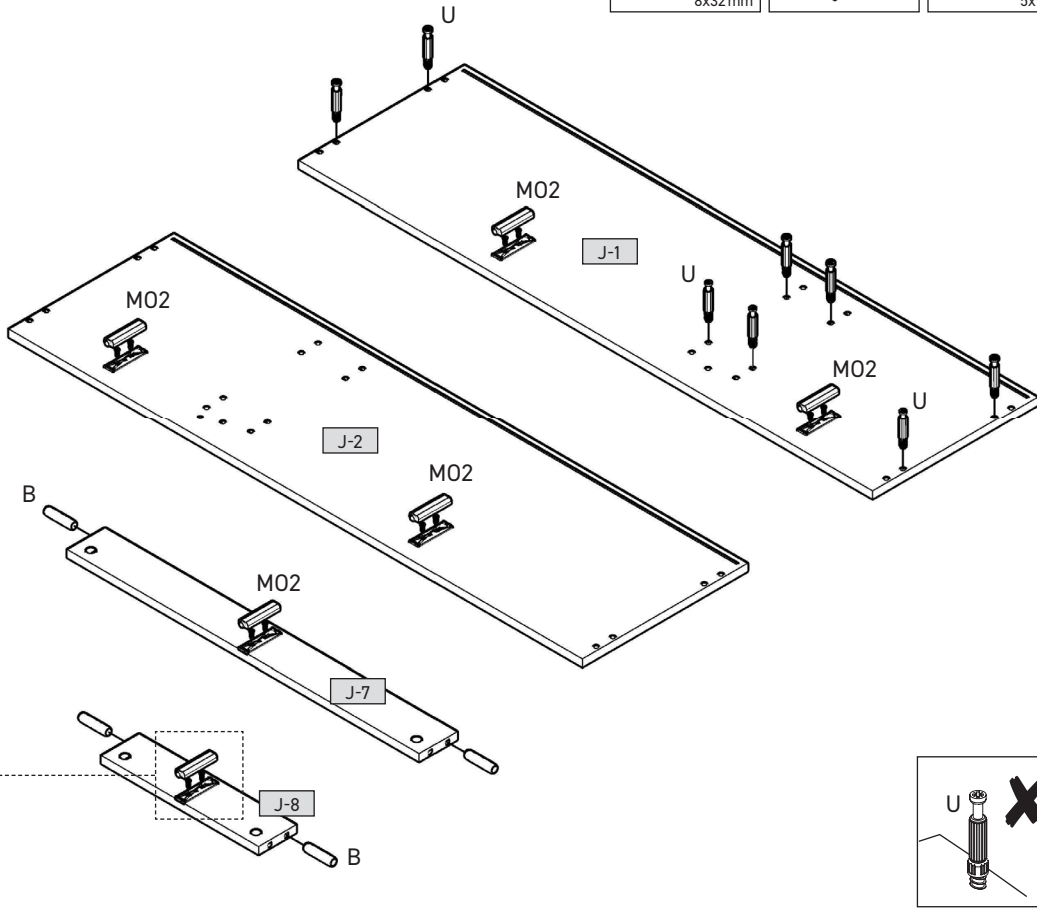
J-1	1373	395	16	x1	1/2
J-2	1373	395	16	x1	1/2
J-3	632	394	16	x1	2/2
J-4	632	394	16	x1	2/2
J-5	632	372	16	x1	2/2
J-6	632	345	16	x1	2/2
J-7	842	90	16	x1	1/2
J-8	376	90	16	x1	1/2
J-9	632	90	16	x1	2/2
J-10	628	24	16	x1	2/2
J-11	836	206	16	x3	1/2
J-12	426	206	16	x3	1/2
J-13	300	120	16	x6	1/2
J-14	300	120	16	x6	1/2
J-15	786	120	16	x3	1/2
J-16	320	120	16	x3	2/2
J-17	816	306	3	x3	1/2
J-18	350	306	3	x3	1/2
J-19	1354	646	3	x1	1/2



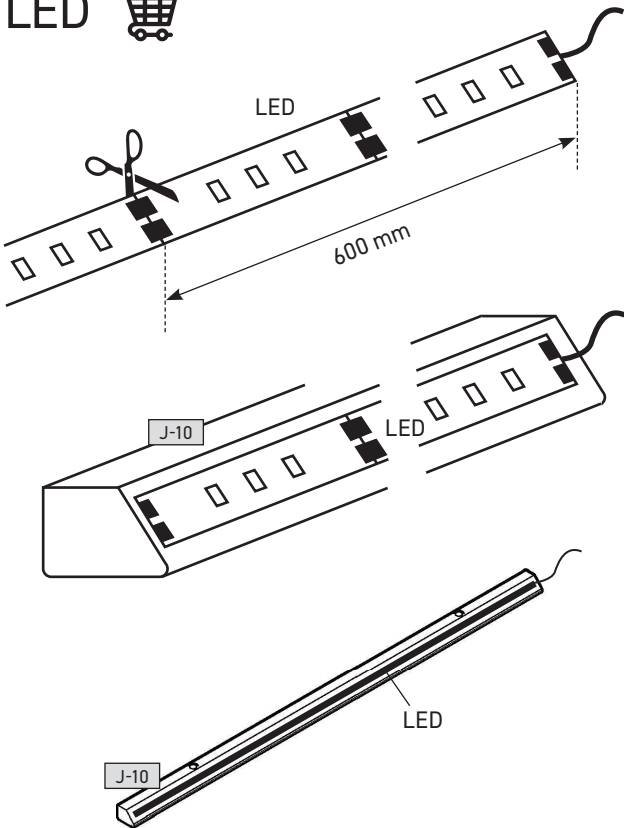


1

B 8x32mm x4	M02 x6	T3 5x9mm x12	U L=24,3mm x8
--------------------------	------------------	---------------------------	----------------------------

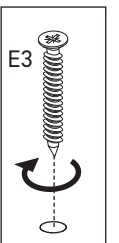
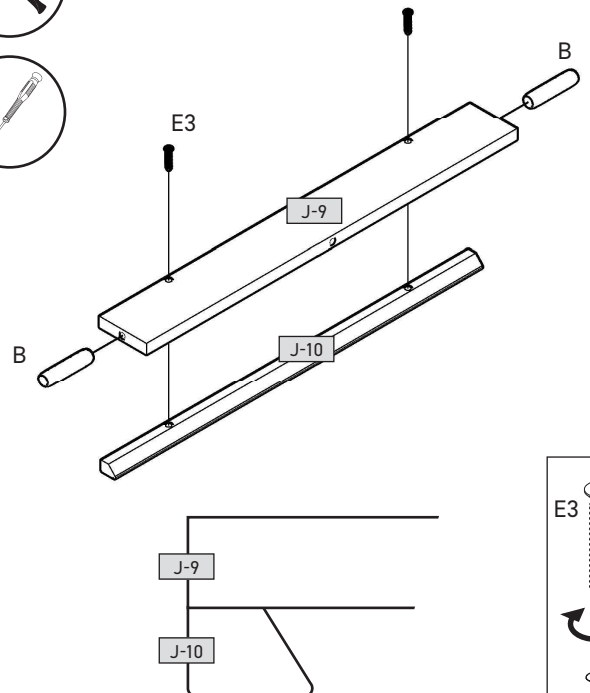


LED



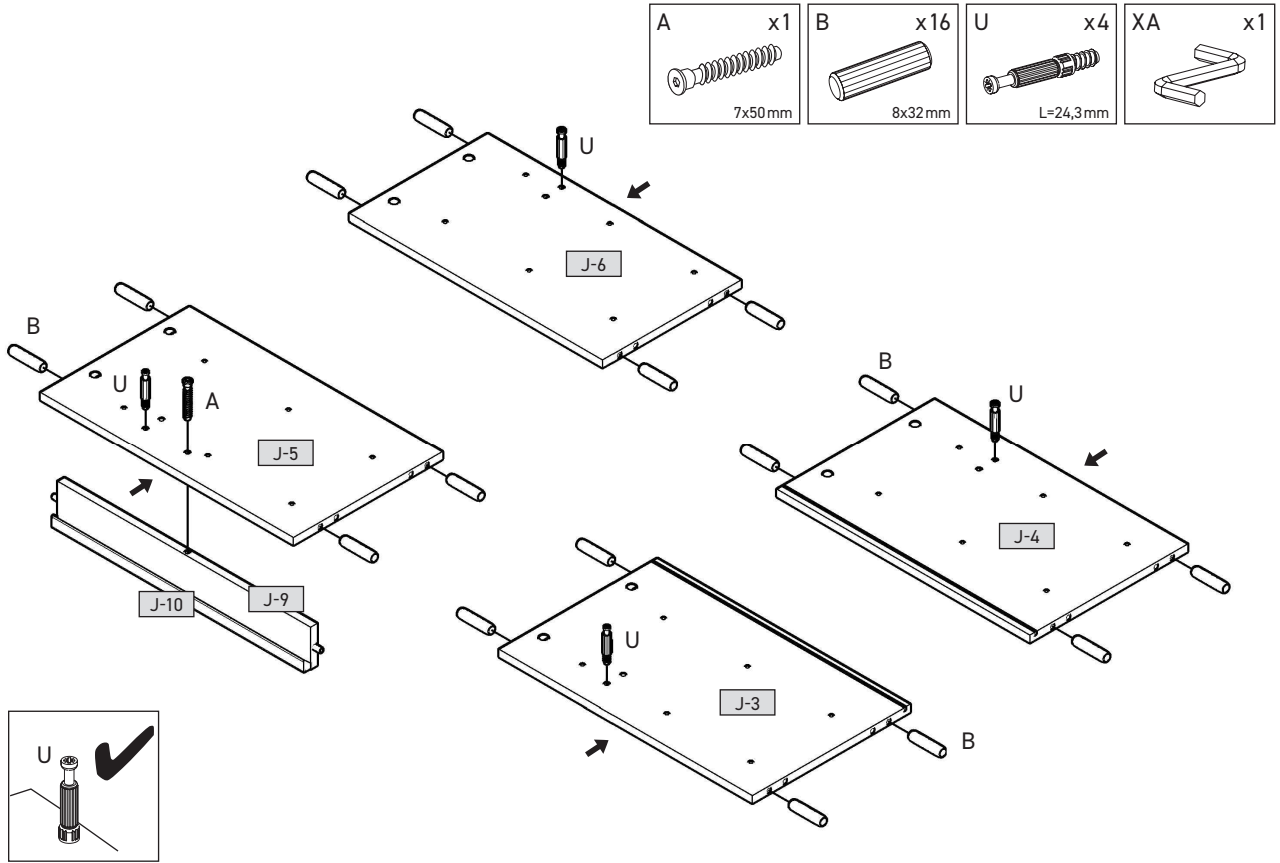
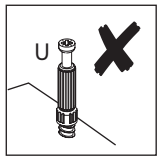
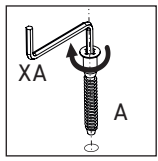
2

B 8x32mm x2	E3 4x27mm x2
--------------------------	---------------------------

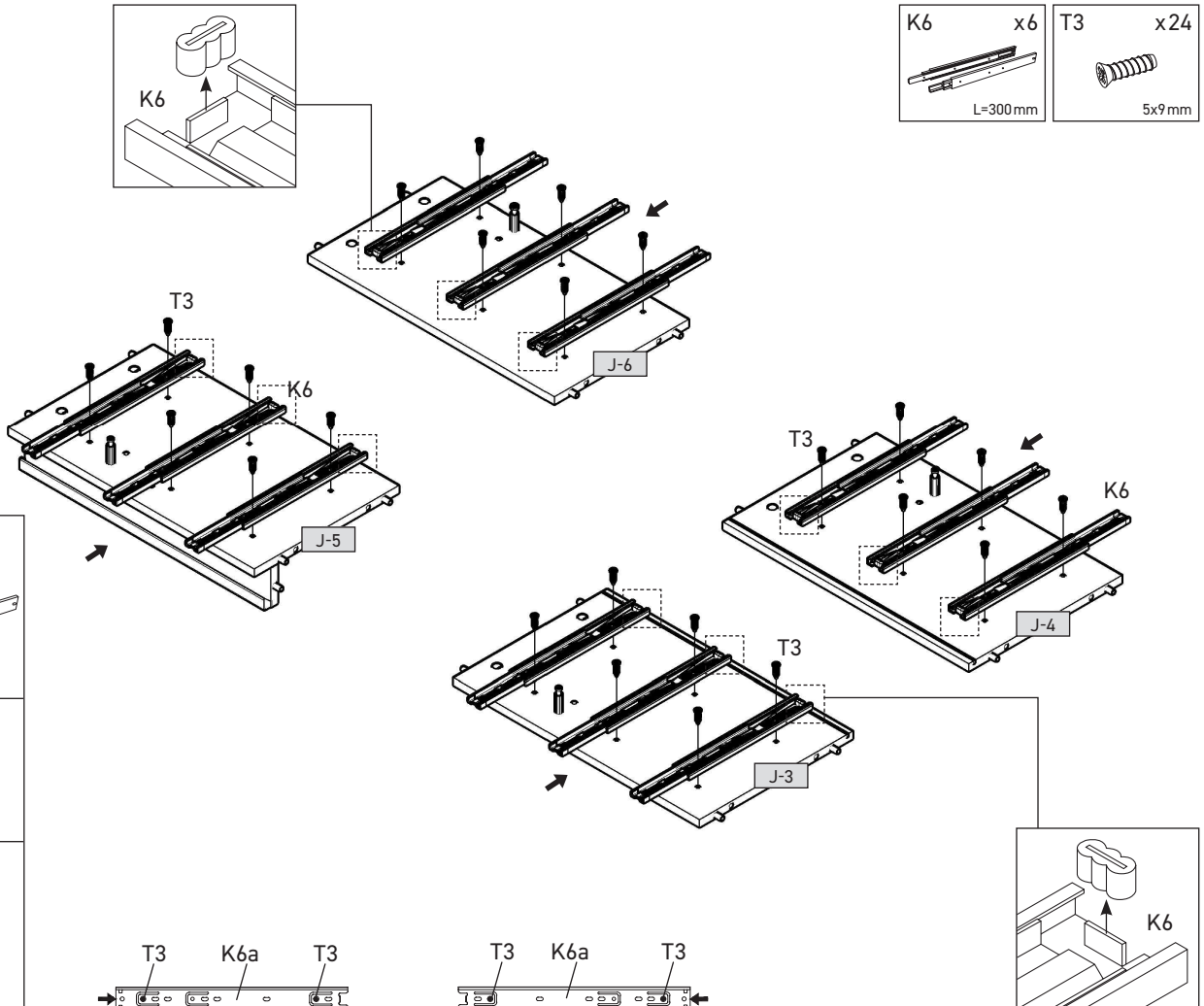
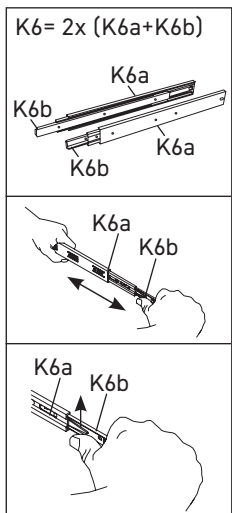
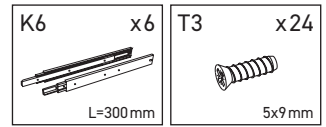
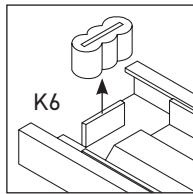




3

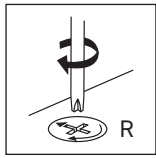
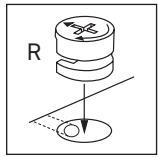
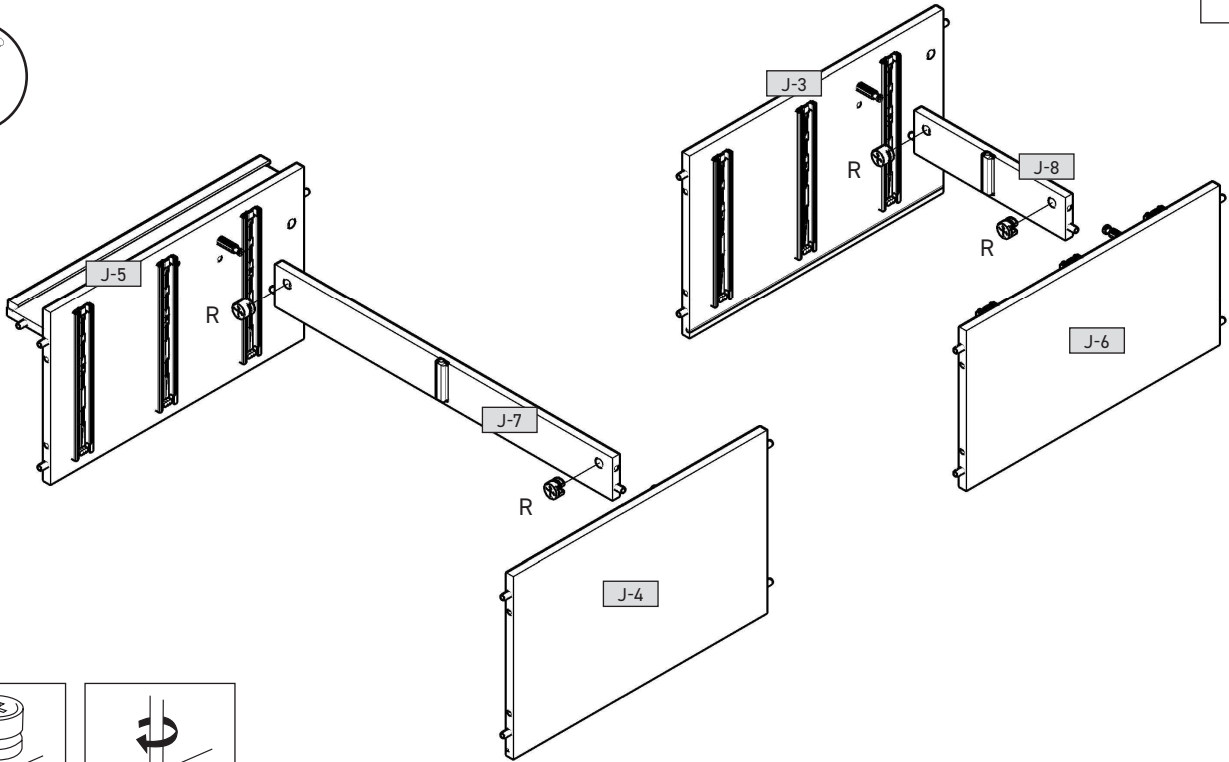
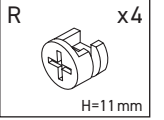


4

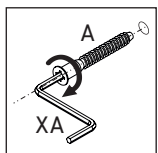
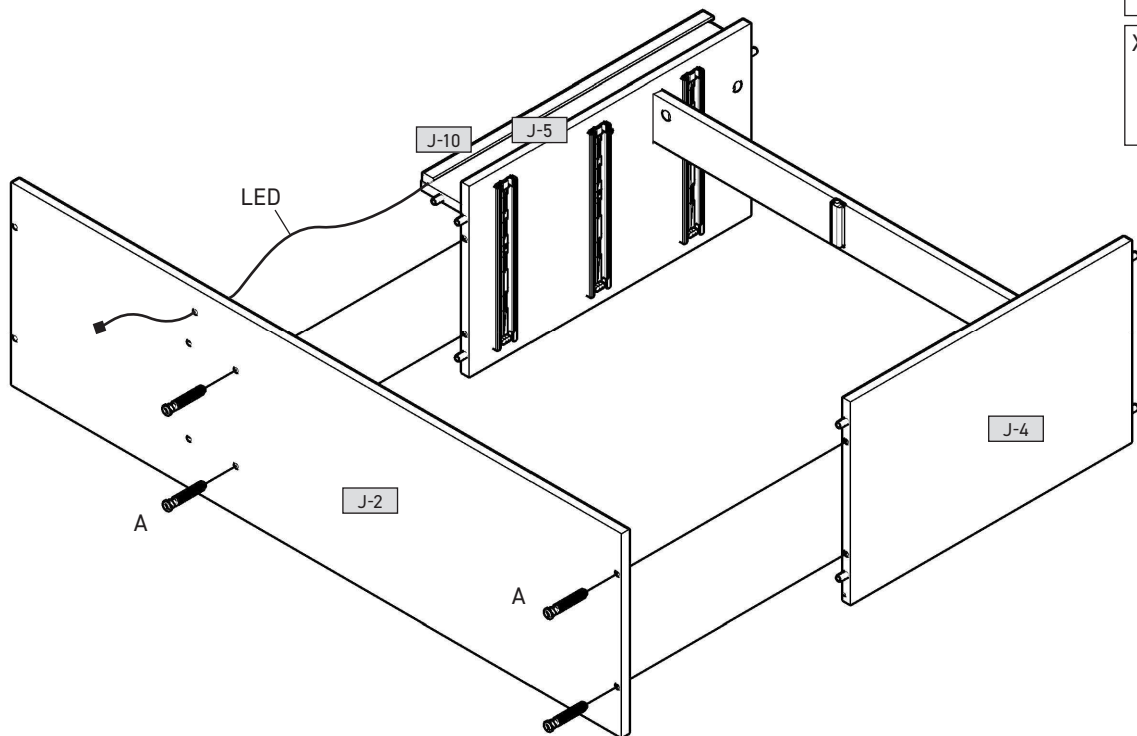
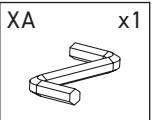
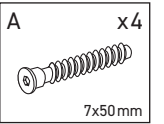




5

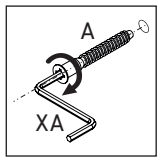
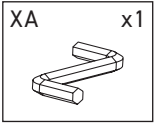
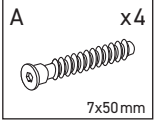
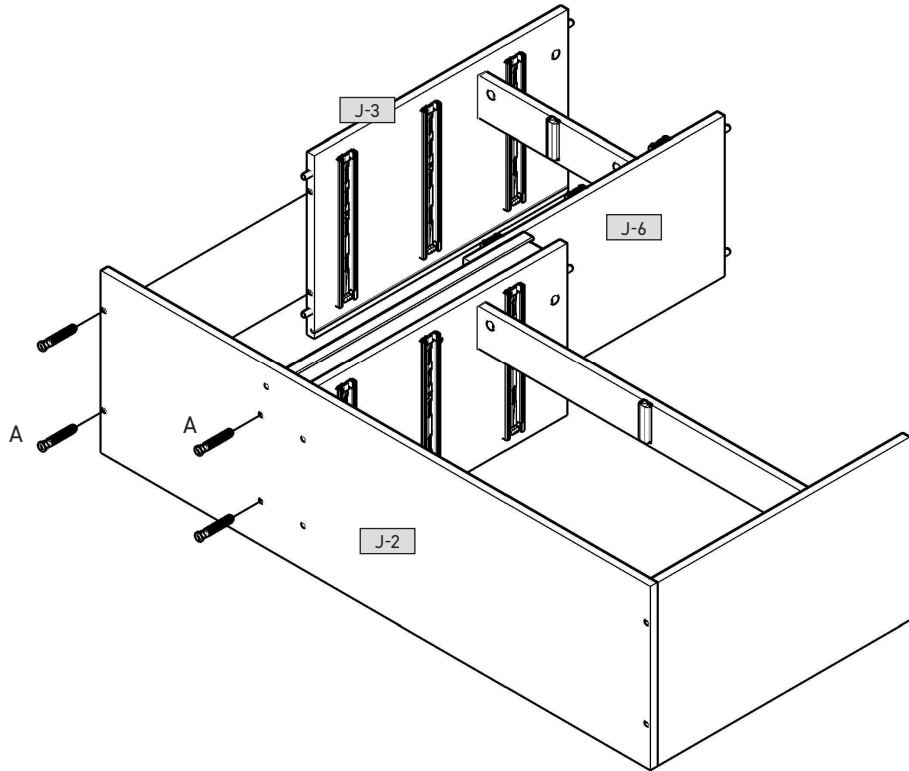


6

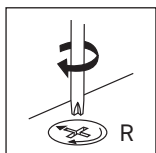
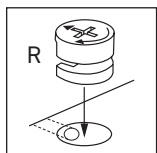
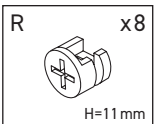
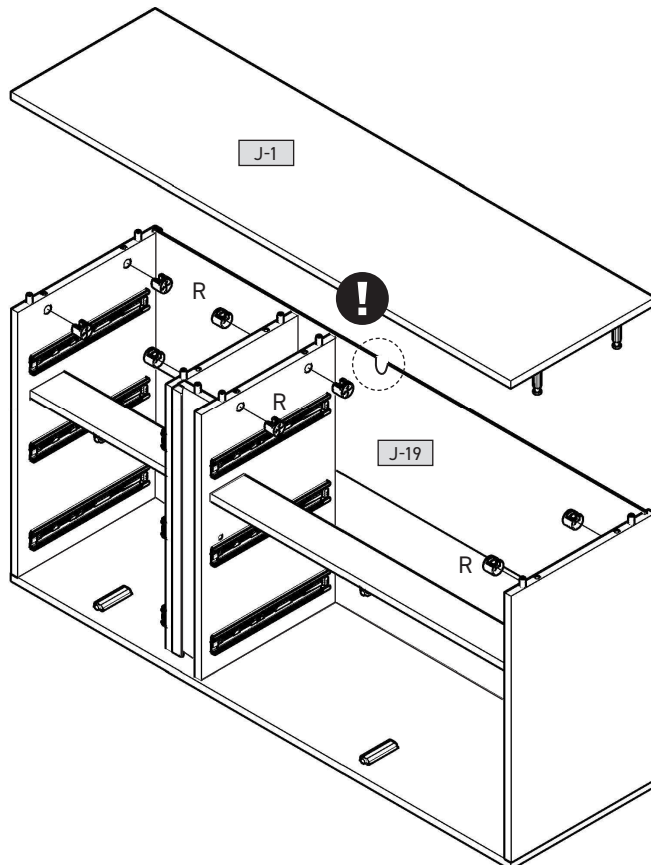




7

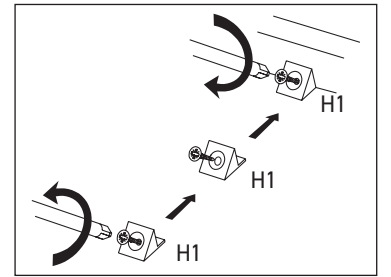
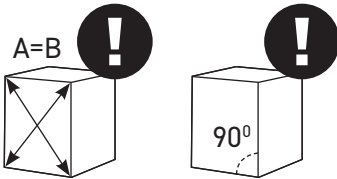
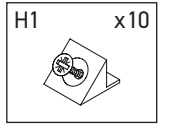
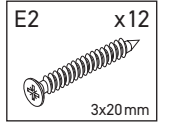
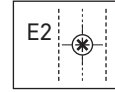
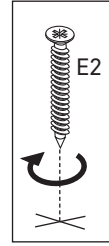
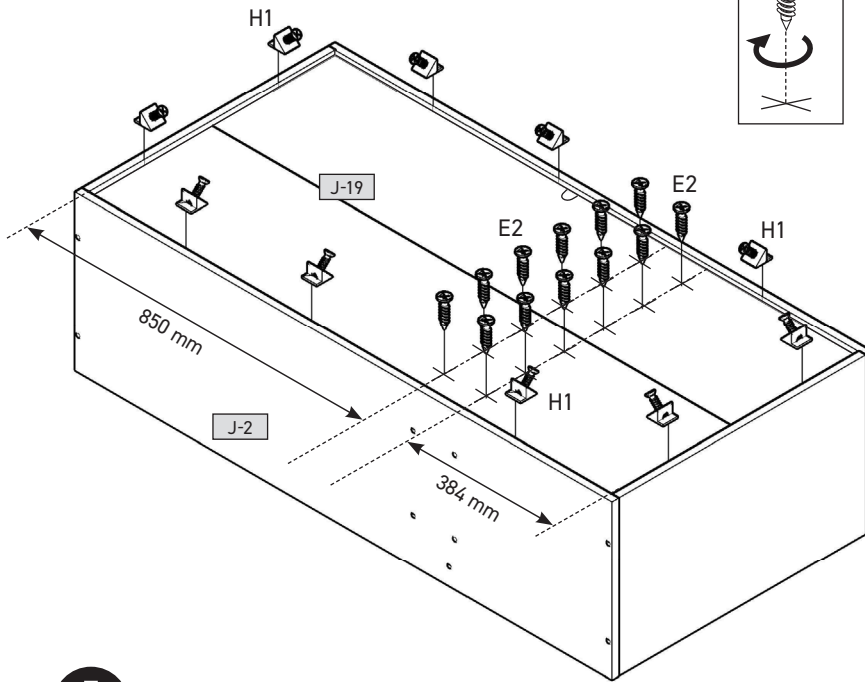


8

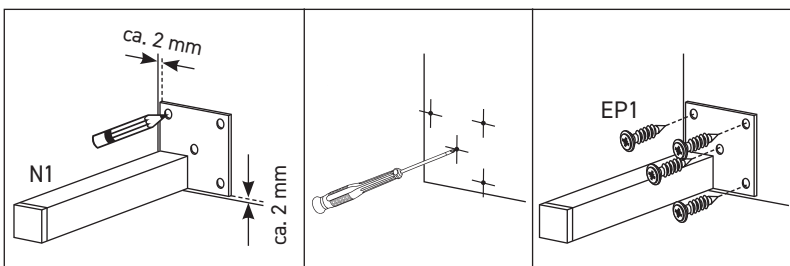
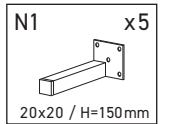
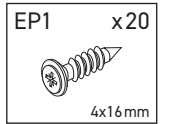
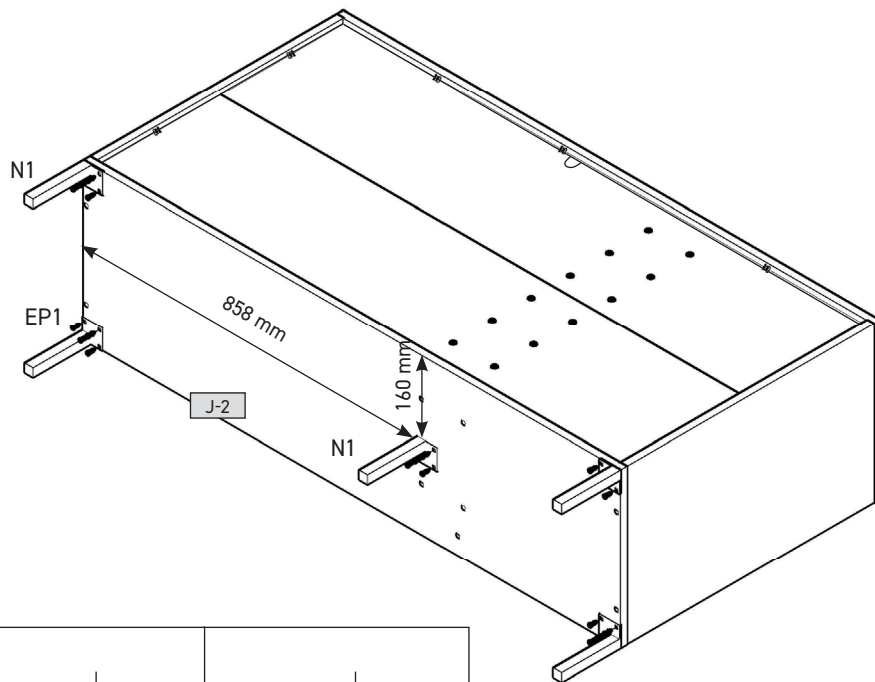




9

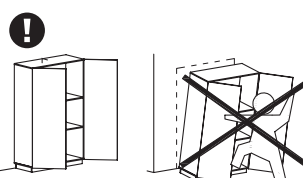
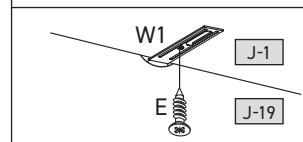
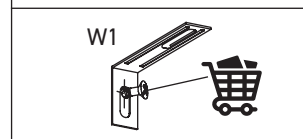
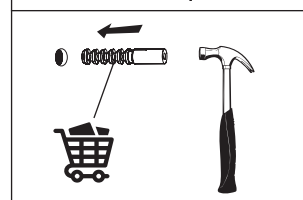
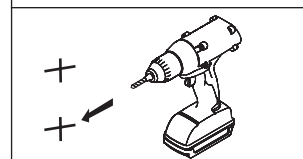
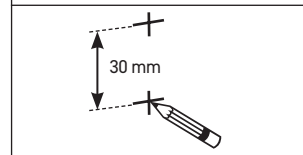
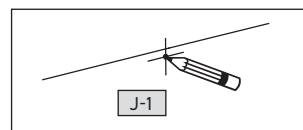
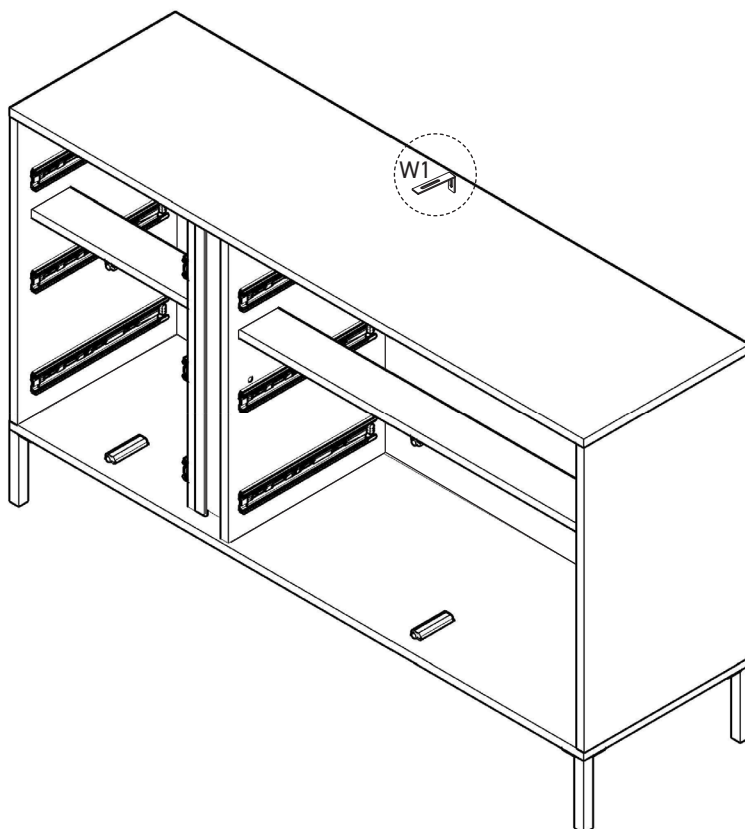
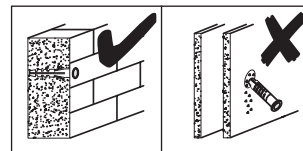
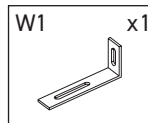
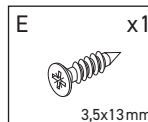
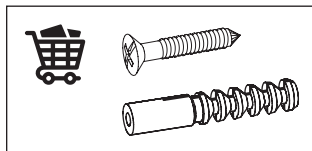


10

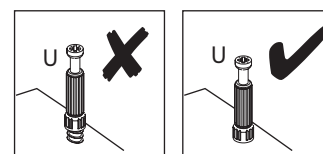
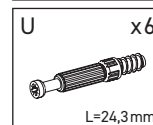
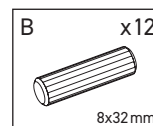
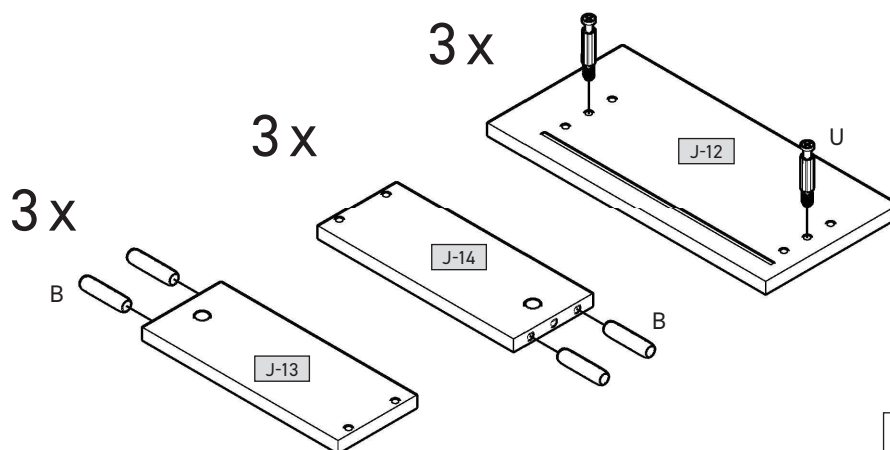




11

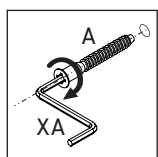
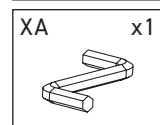
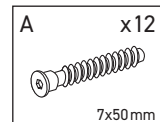
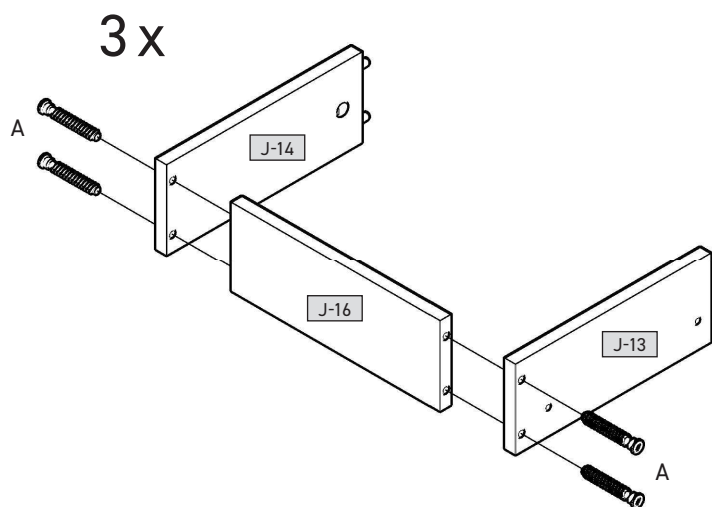


12

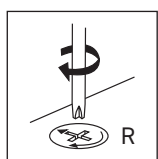
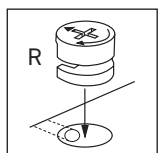
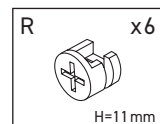
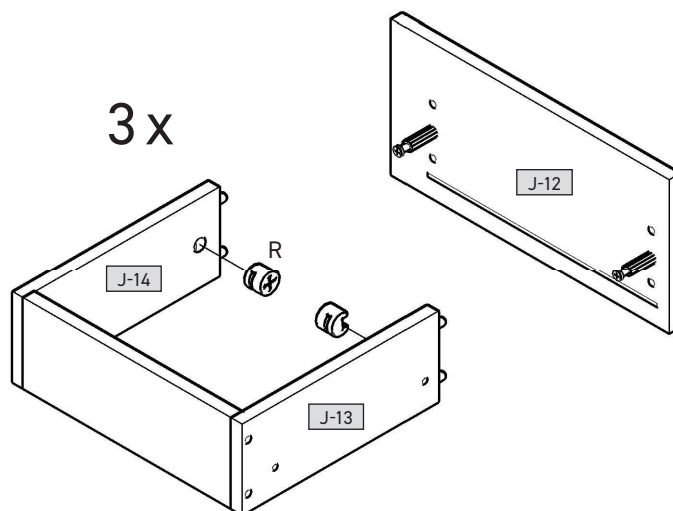




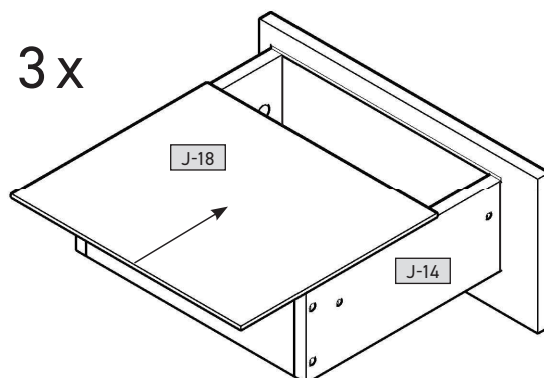
13



14

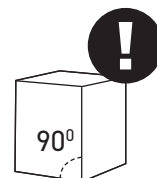
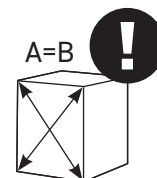
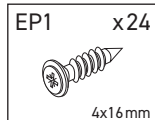
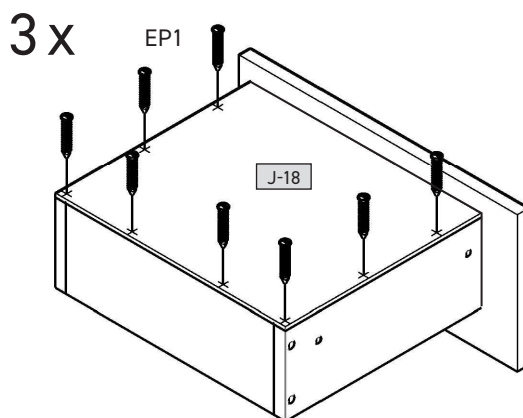
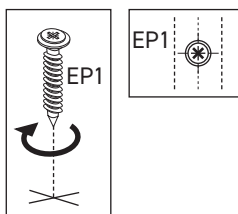
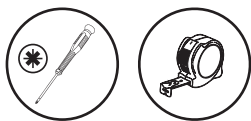


15

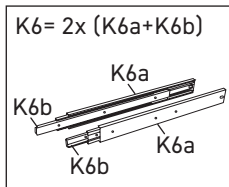
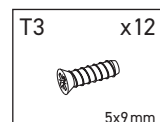
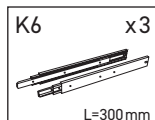
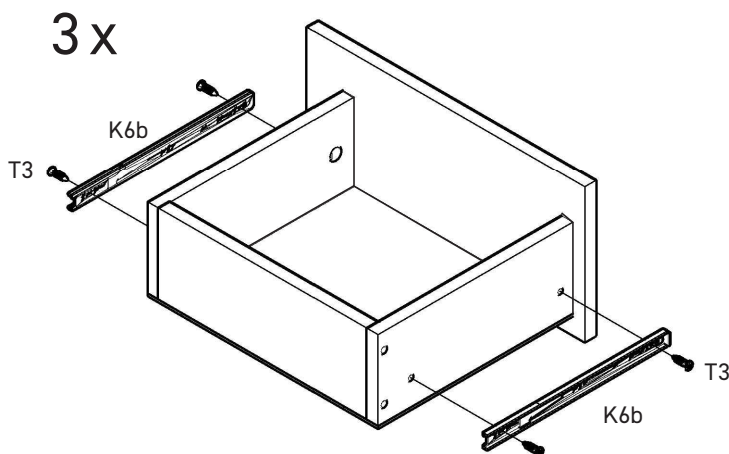




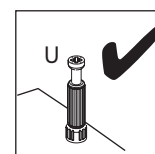
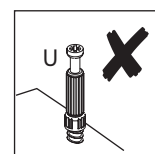
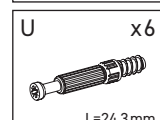
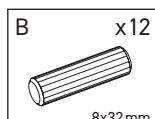
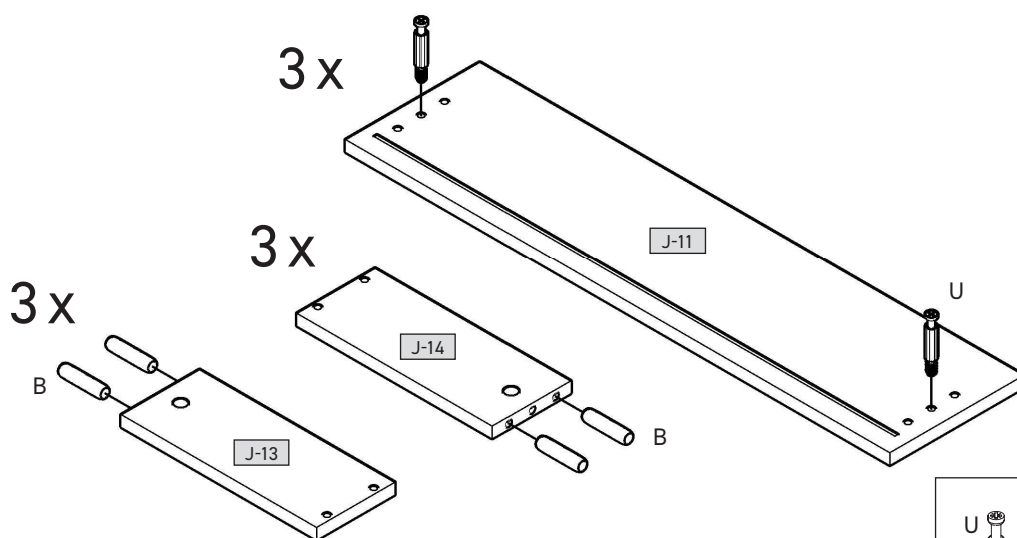
16



17

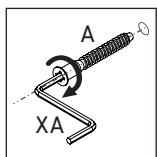
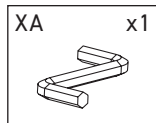
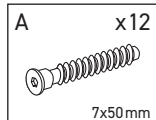
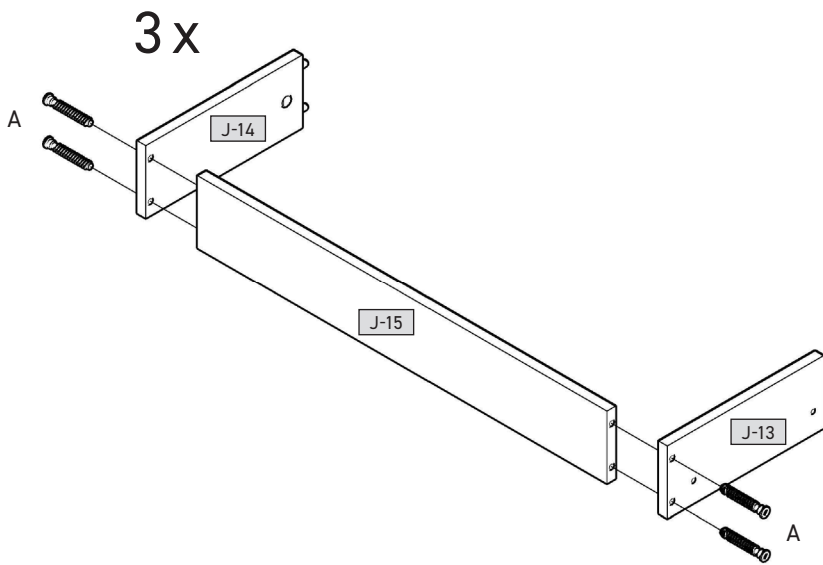


18

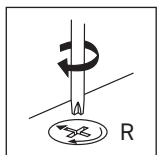
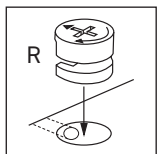
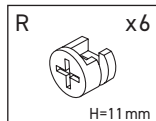
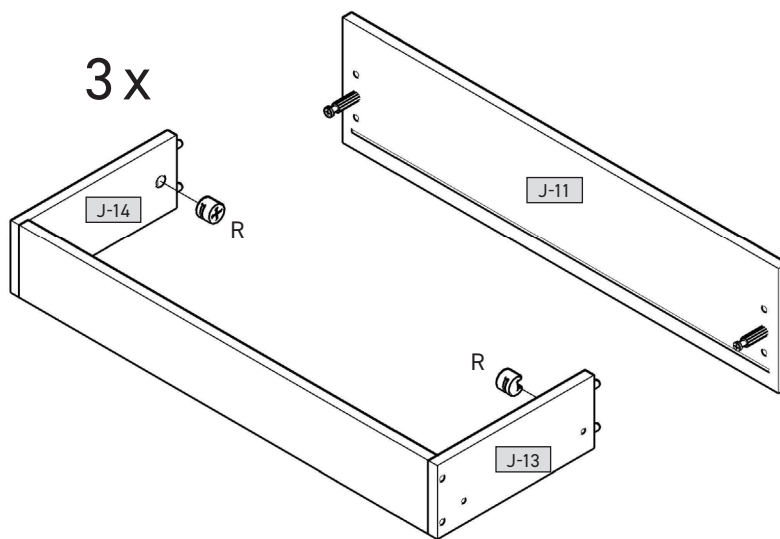




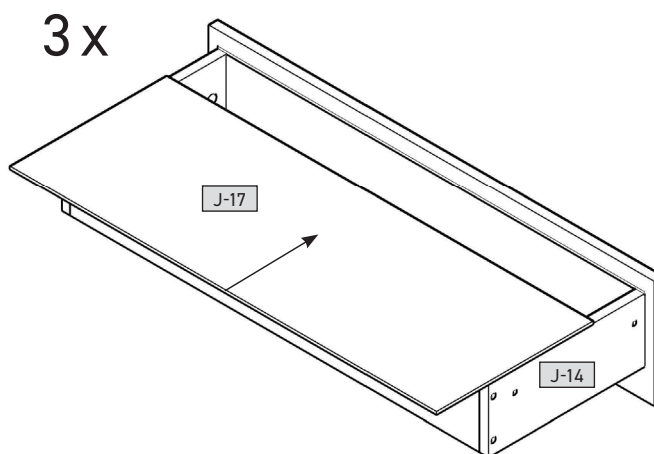
19



20

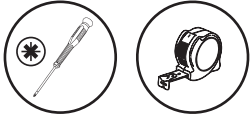


21



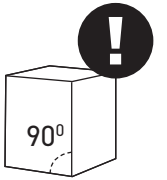
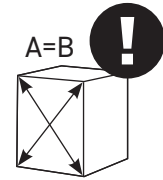
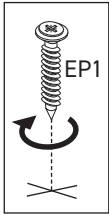
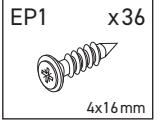
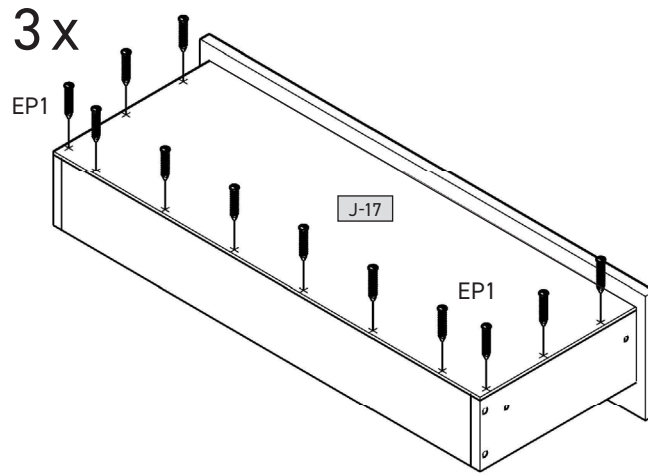


22



3 x

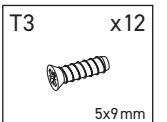
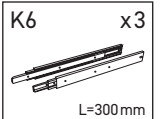
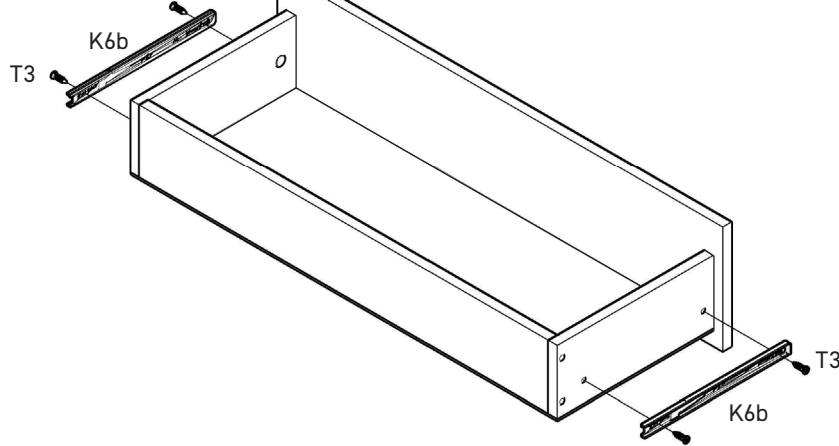
EP1



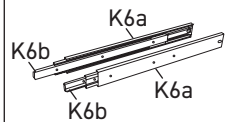
23



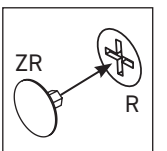
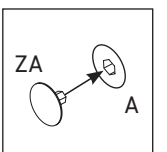
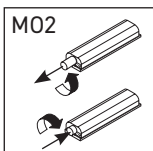
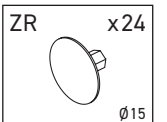
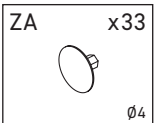
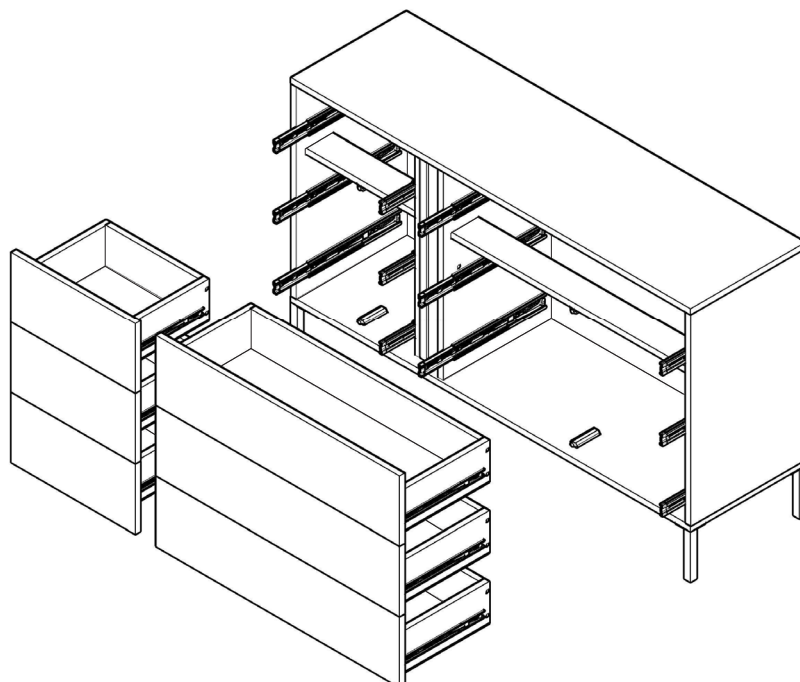
3 x

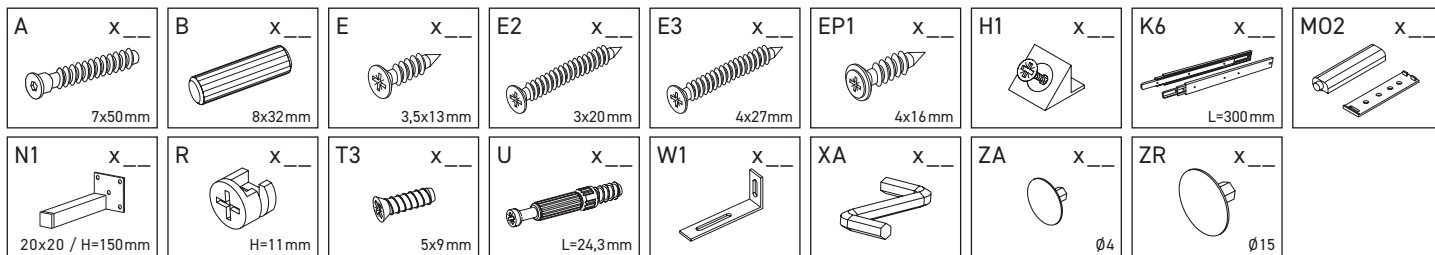


K6 = 2x (K6a + K6b)



24





J-1	1373	395	16	x 1	1/2
J-2	1373	395	16	x 1	1/2
J-3	632	394	16	x 1	2/2
J-4	632	394	16	x 1	2/2
J-5	632	372	16	x 1	2/2
J-6	632	345	16	x 1	2/2
J-7	842	90	16	x 1	1/2
J-8	376	90	16	x 1	1/2
J-9	632	90	16	x 1	2/2
J-10	628	24	16	x 1	2/2
J-11	836	206	16	x 3	1/2
J-12	426	206	16	x 3	1/2
J-13	300	120	16	x 6	1/2
J-14	300	120	16	x 6	1/2
J-15	786	120	16	x 3	1/2
J-16	320	120	16	x 3	2/2
J-17	816	306	3	x 3	1/2
J-18	350	306	3	x 3	1/2
J-19	1354	646	3	x 1	1/2

