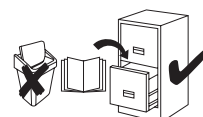
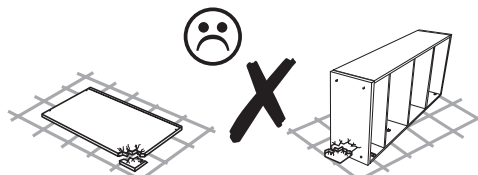
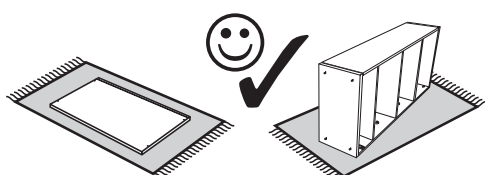
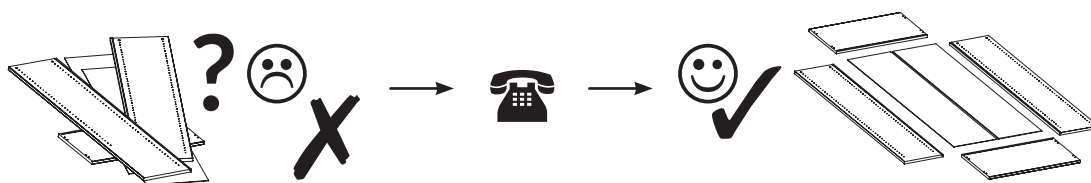
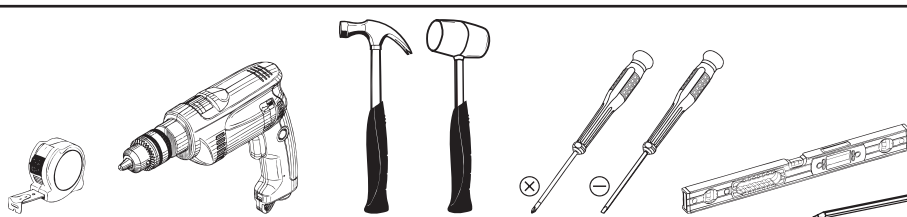
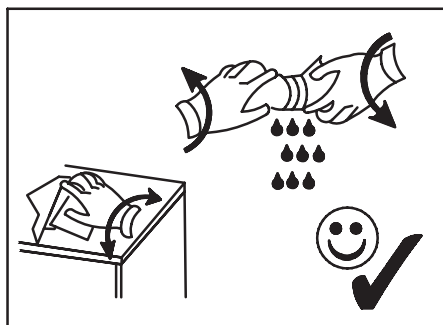
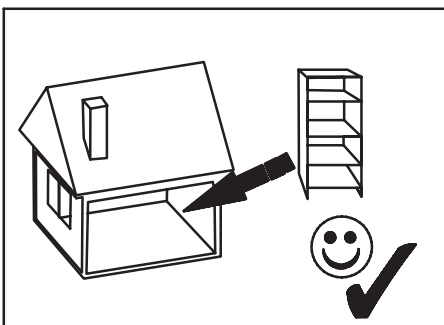
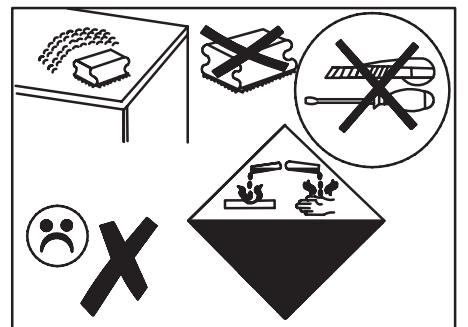
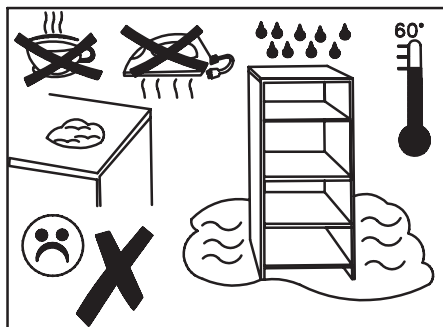
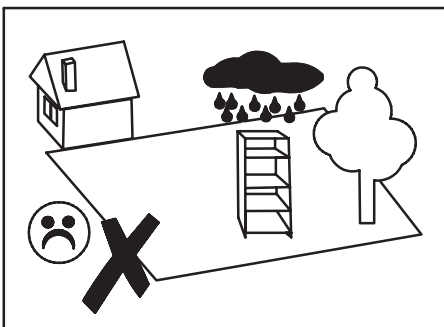


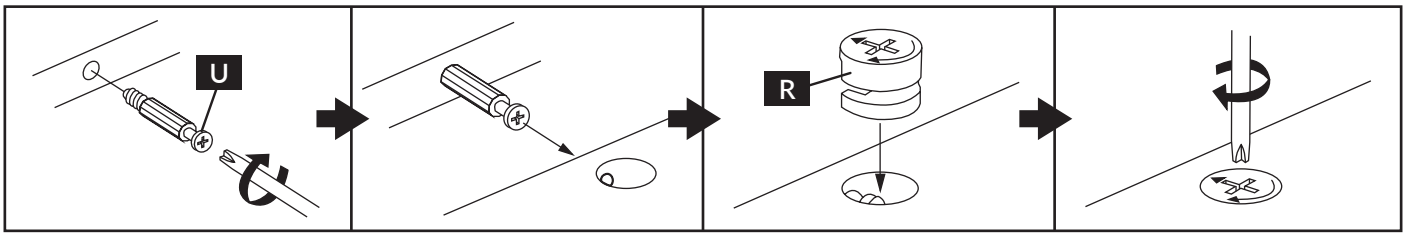
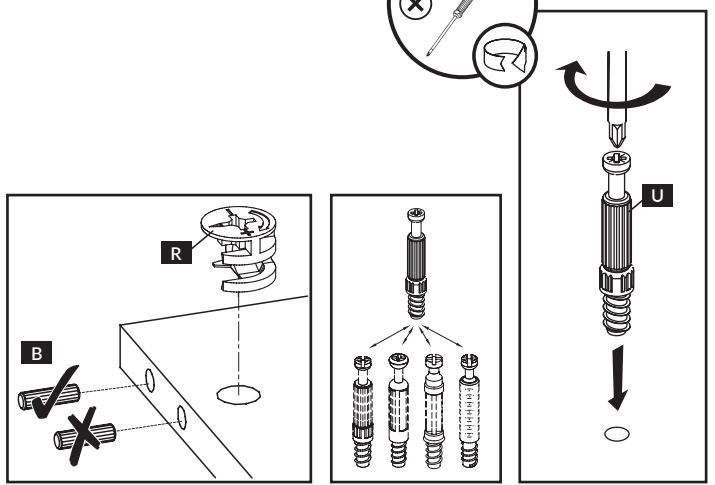
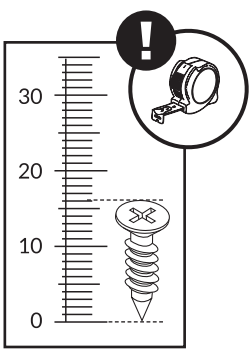
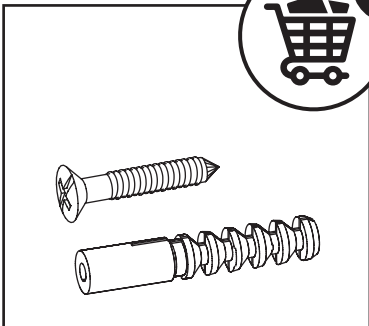
2023-09-06





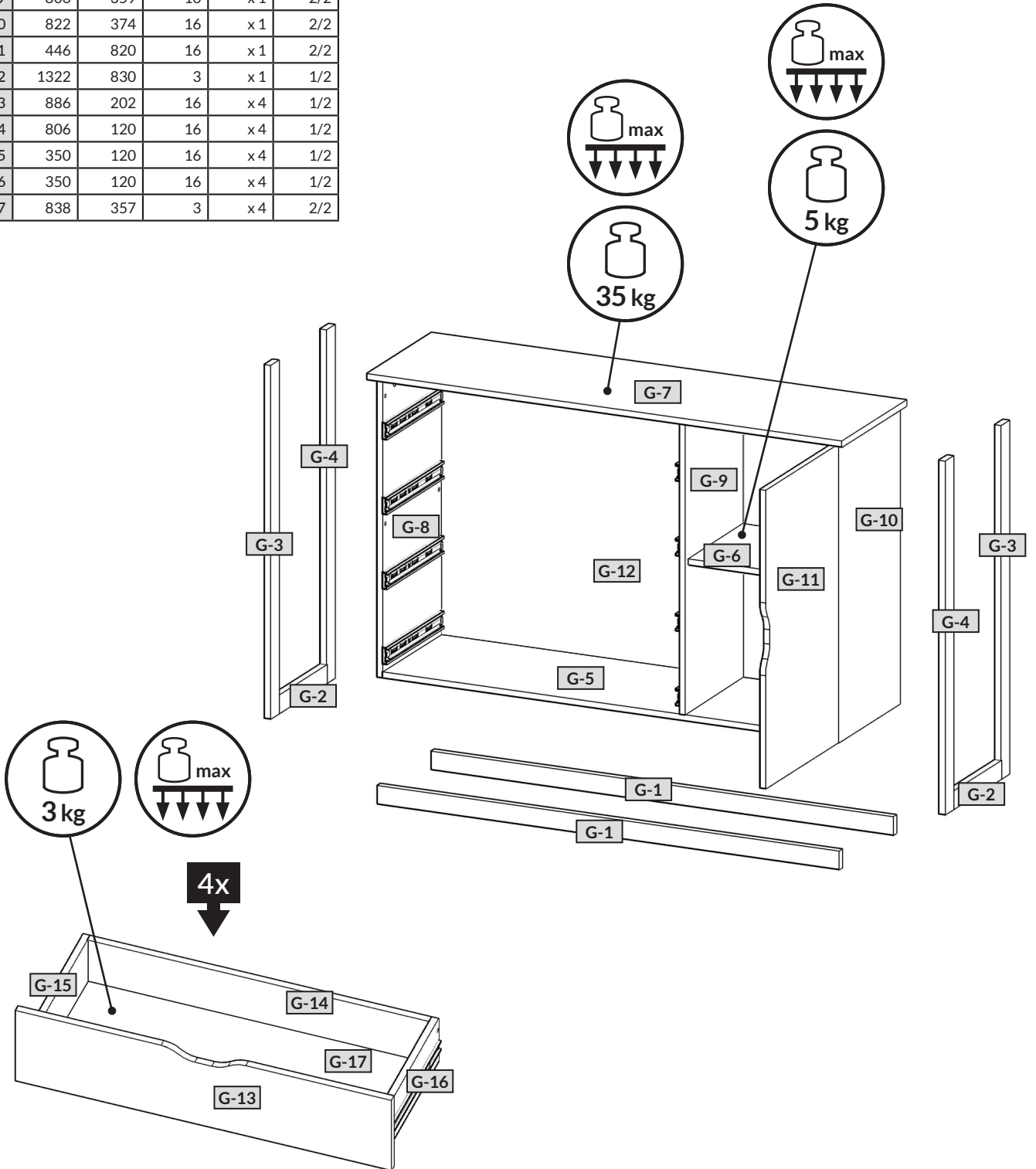


A 7 x 50 mm x 10	B 8 x 32 mm x 36	C (P/D) x 6	E 3,5 x 13 mm x 5	E2 3 x 20 mm x 16	EP2 4 x 20 mm x 48
G2 x 4	H1 x 7	K6 L=350 mm x 4	T4 6,3 x 24 mm x 12	P x 4	R H=11 mm x 18
RB x 16	T3 5 x 9 mm x 32	U L=24,3 mm x 18	W1 x 1	XA x 1	ZA Ø4 x 8
ZR Ø15 x 18					





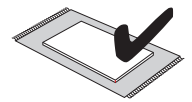
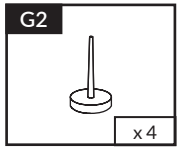
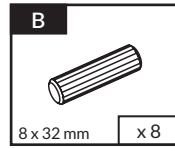
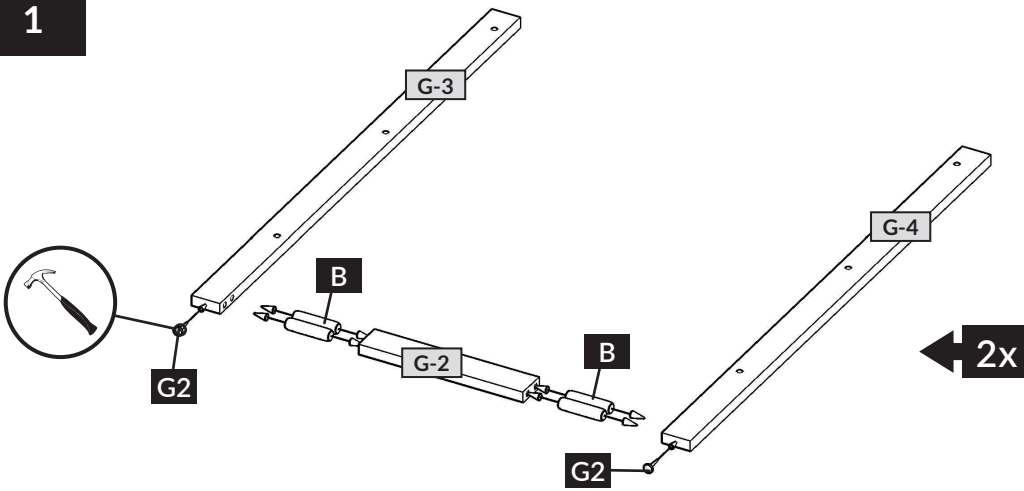
nr	↔ [mm]	↑ [mm]	∅ [mm]	Menge	Colli
G-1	1340	50	15	x2	1/2
G-2	294	50	15	x2	1/2
G-3	972	50	15	x2	2/2
G-4	972	50	15	x2	2/2
G-5	1308	359	16	x1	1/2
G-6	430	340	16	x1	1/2
G-7	1378	396	16	x1	1/2
G-8	822	374	16	x1	2/2
G-9	806	359	16	x1	2/2
G-10	822	374	16	x1	2/2
G-11	446	820	16	x1	2/2
G-12	1322	830	3	x1	1/2
G-13	886	202	16	x4	1/2
G-14	806	120	16	x4	1/2
G-15	350	120	16	x4	1/2
G-16	350	120	16	x4	1/2
G-17	838	357	3	x4	2/2



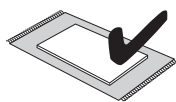
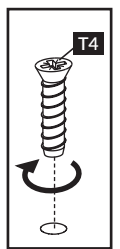
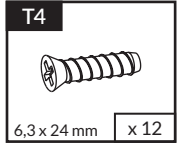
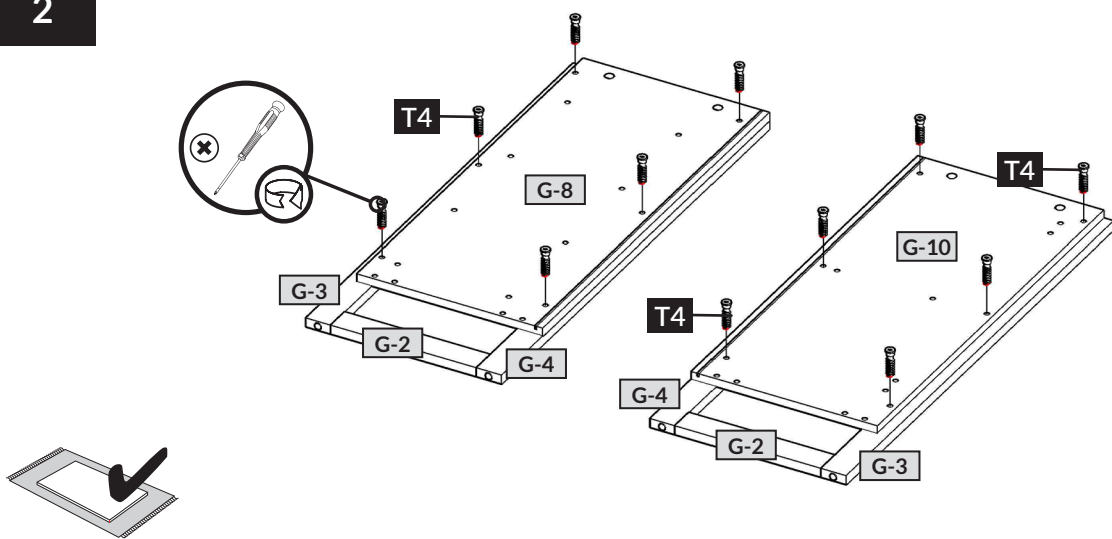
5



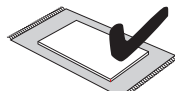
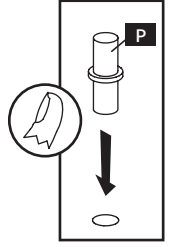
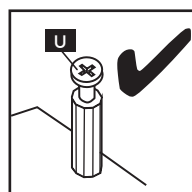
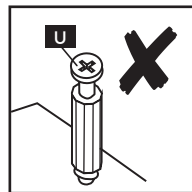
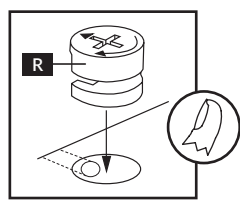
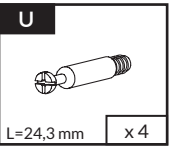
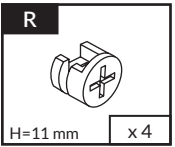
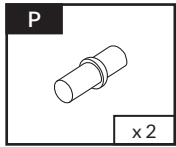
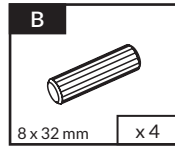
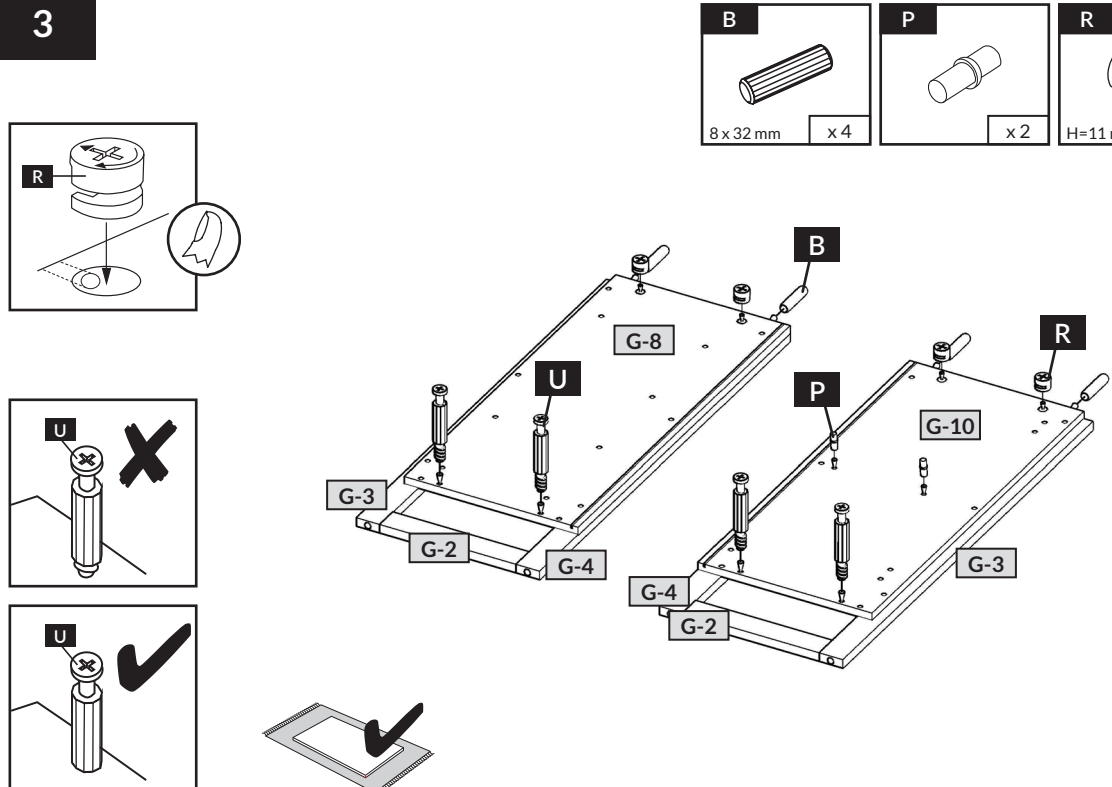
1



2



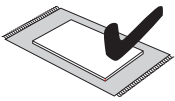
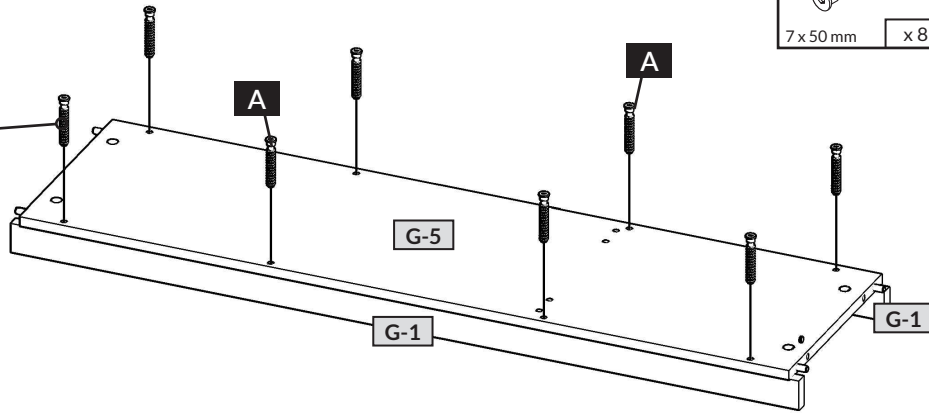
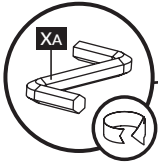
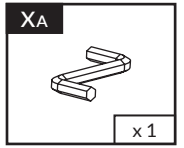
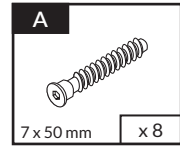
3



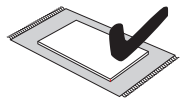
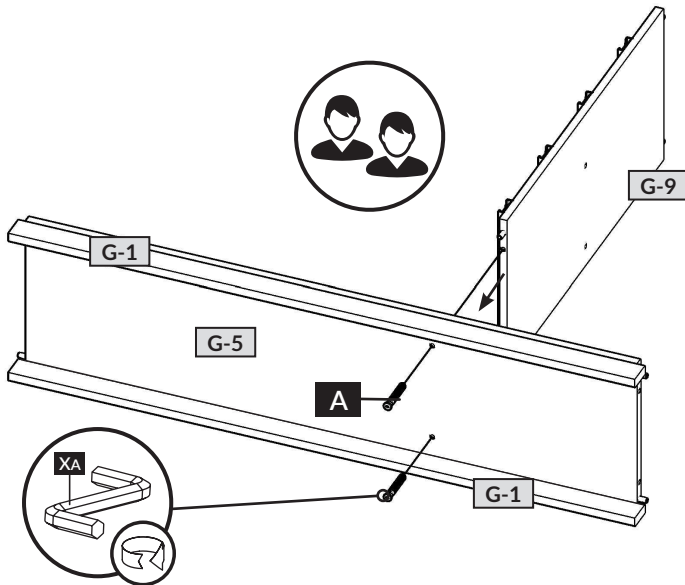
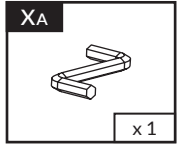
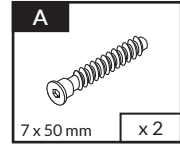
7



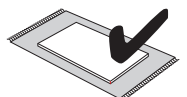
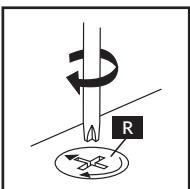
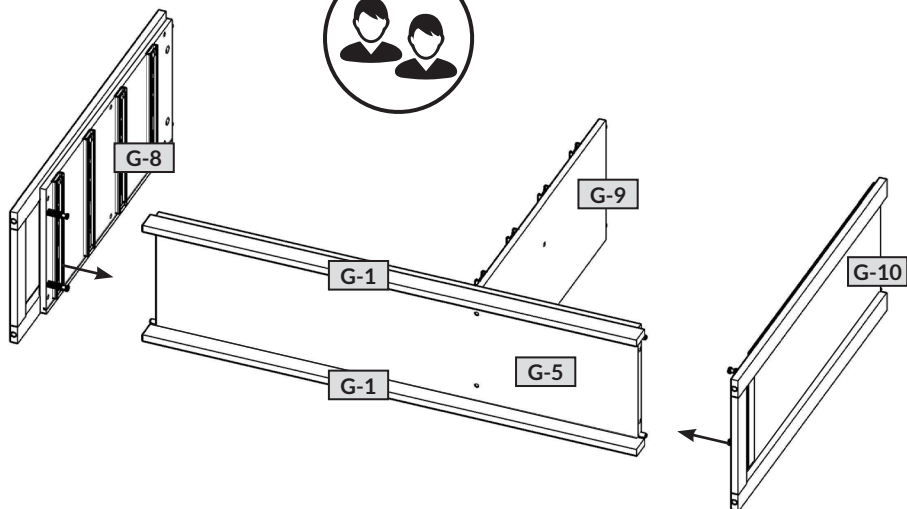
7



8



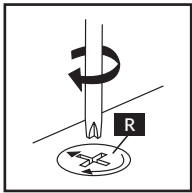
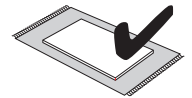
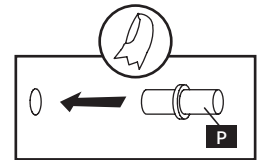
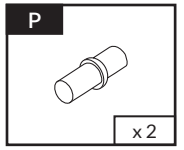
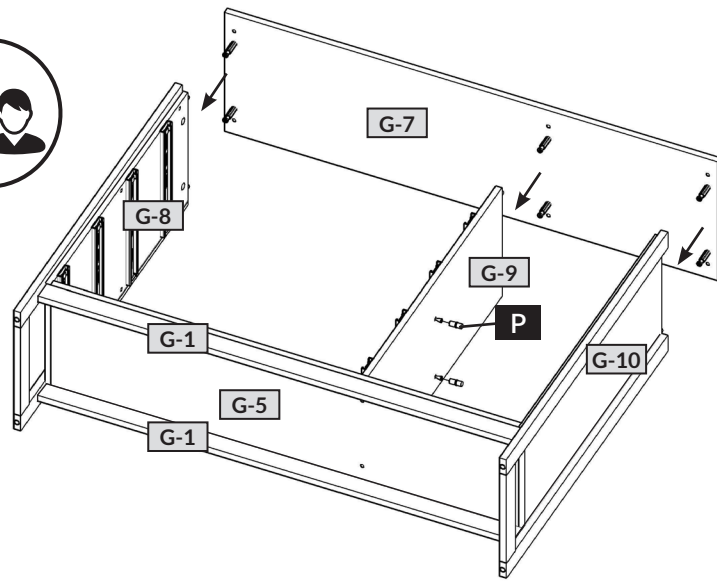
9



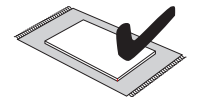
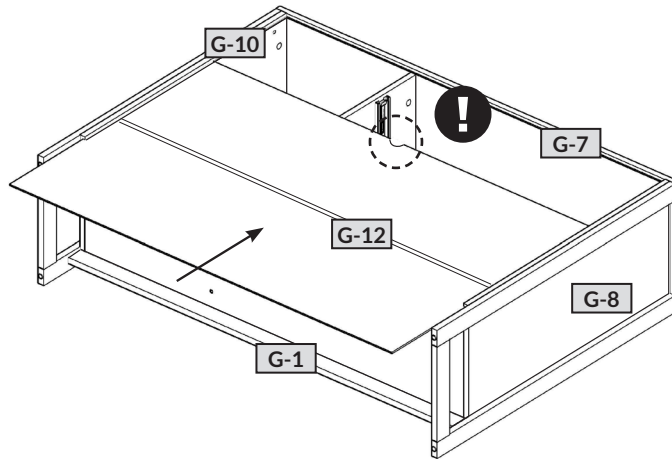
8



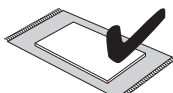
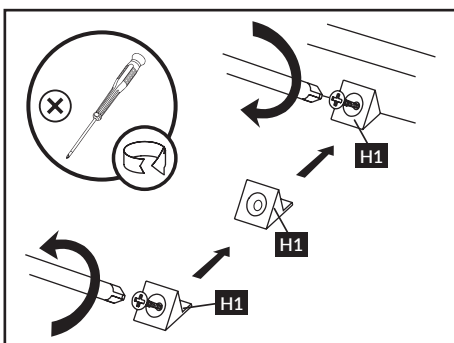
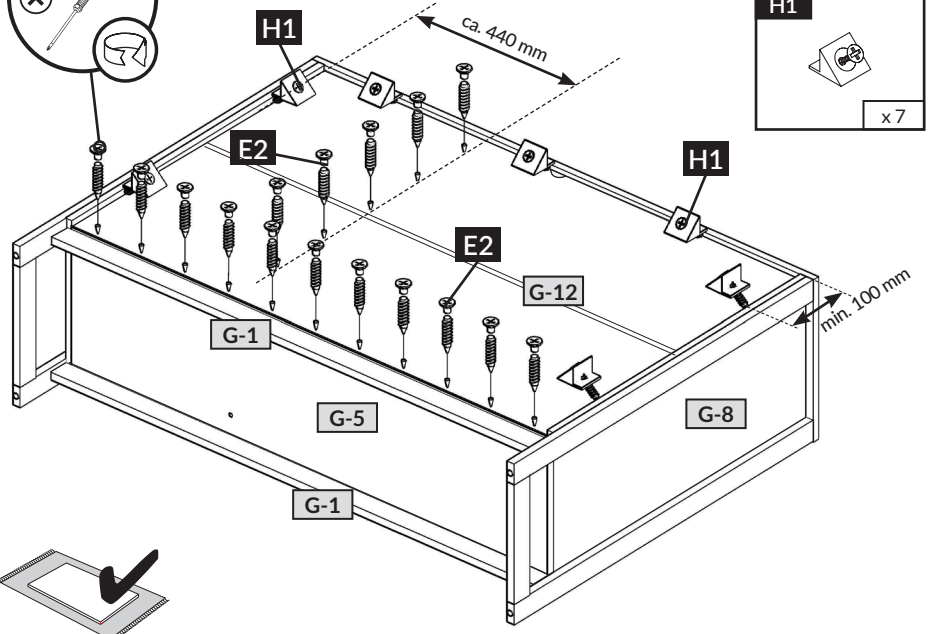
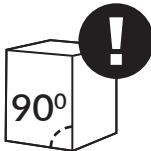
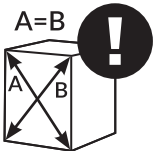
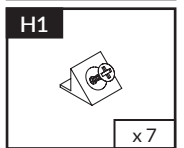
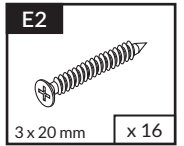
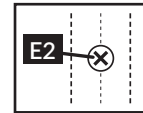
10



11



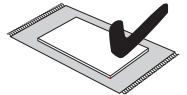
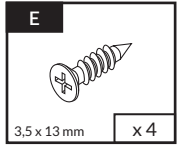
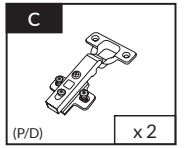
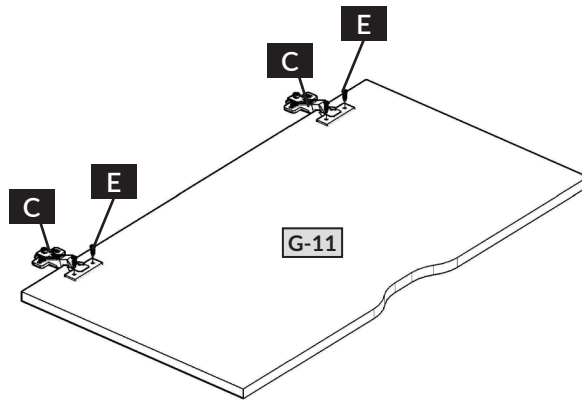
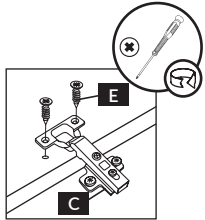
12



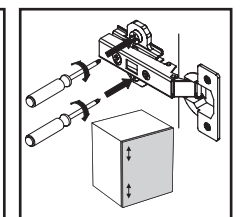
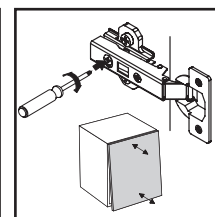
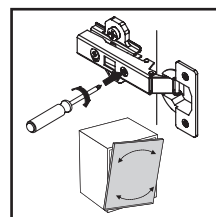
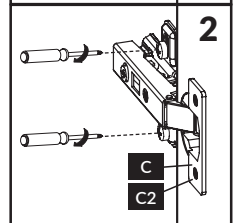
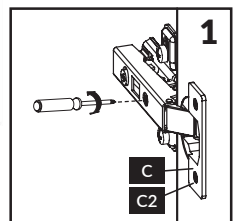
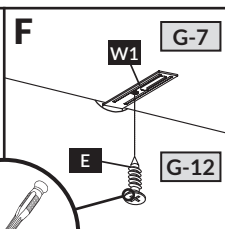
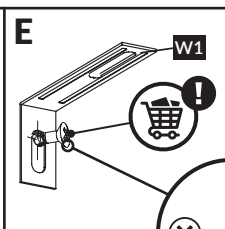
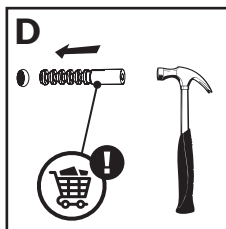
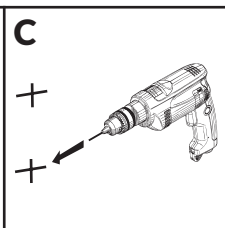
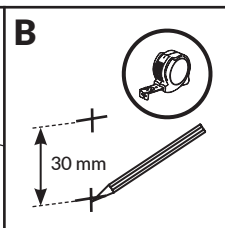
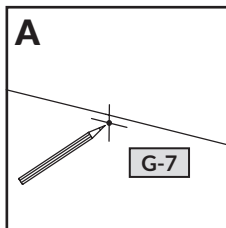
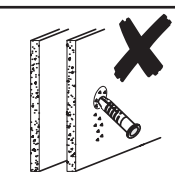
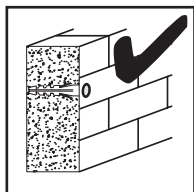
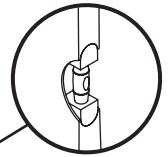
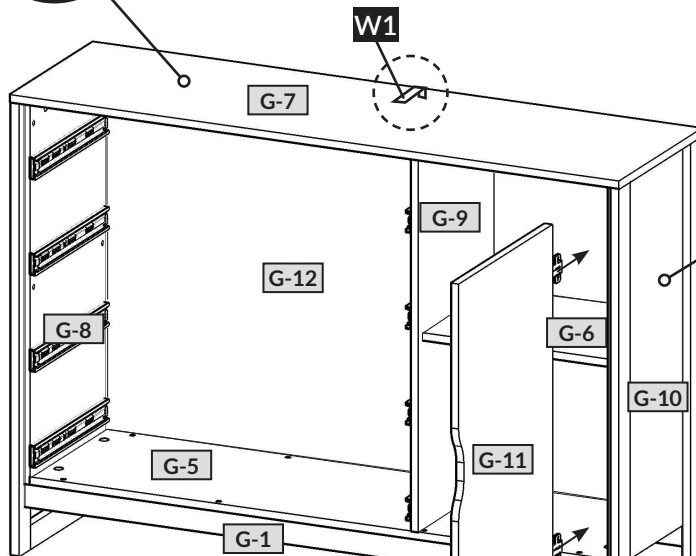
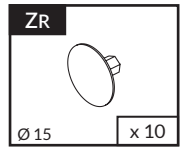
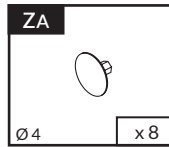
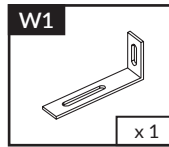
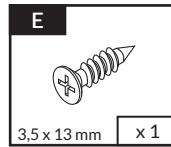
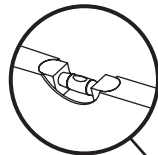
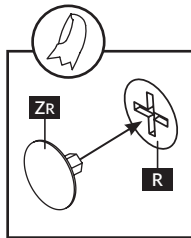
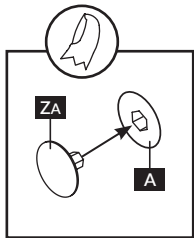
9



13



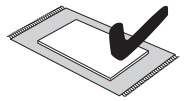
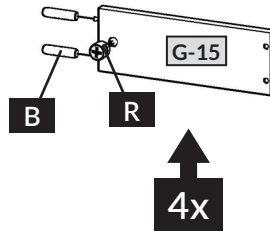
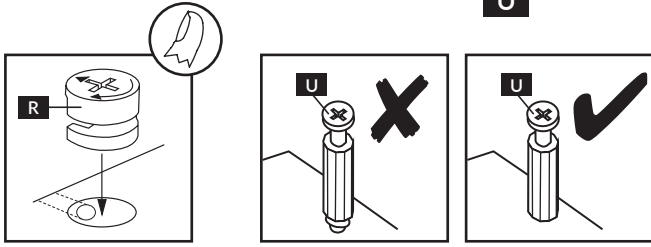
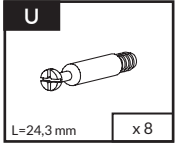
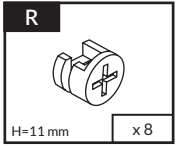
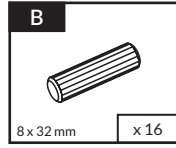
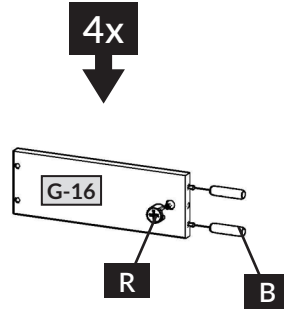
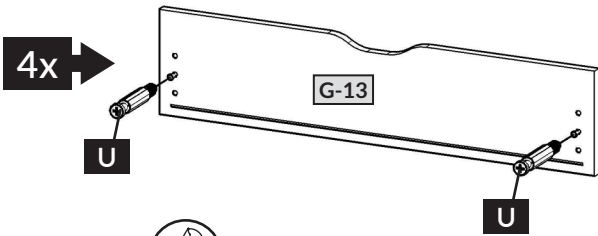
14



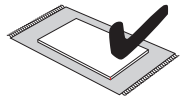
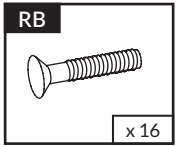
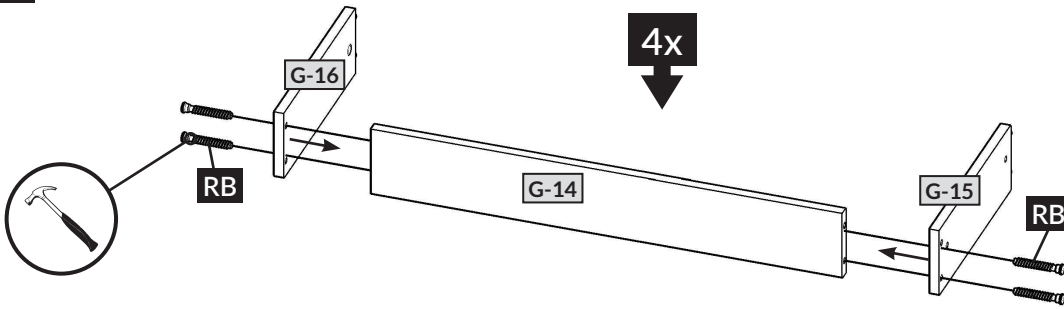
10



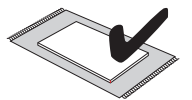
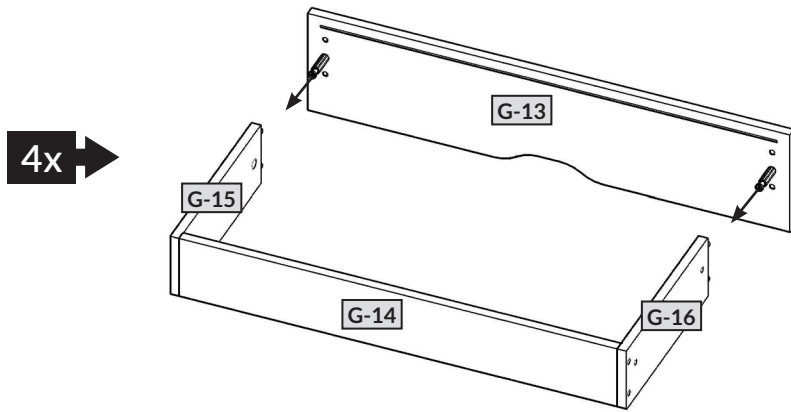
15



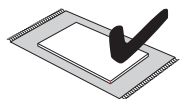
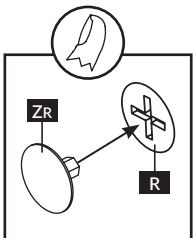
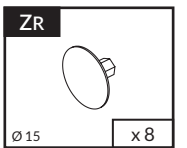
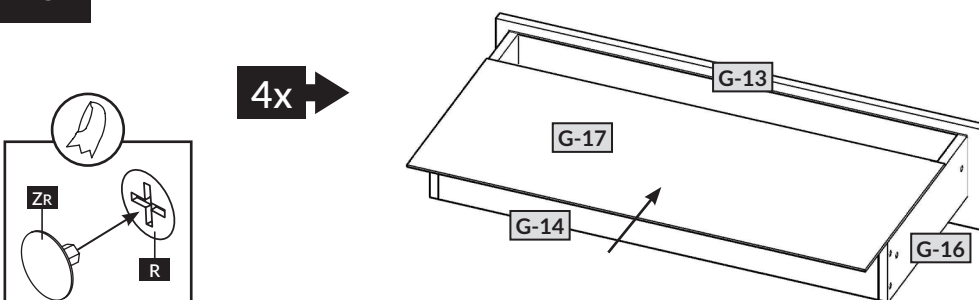
16



17



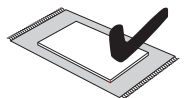
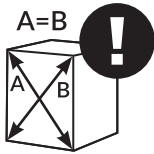
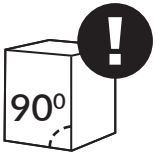
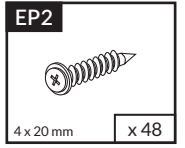
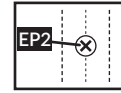
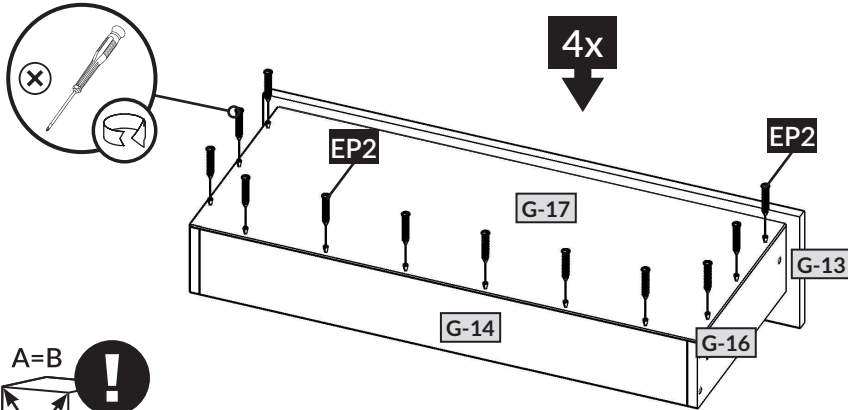
18



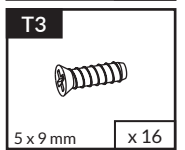
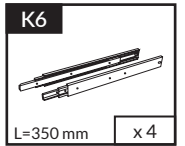
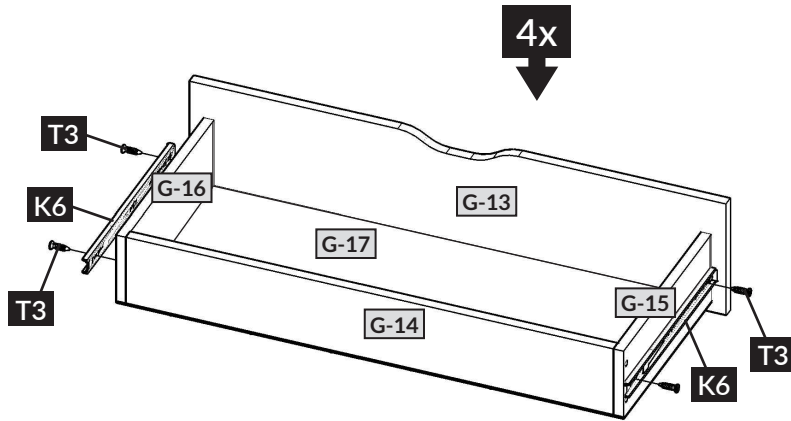
11



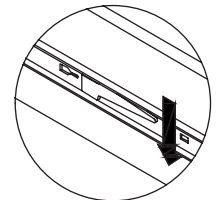
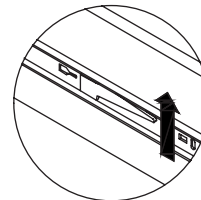
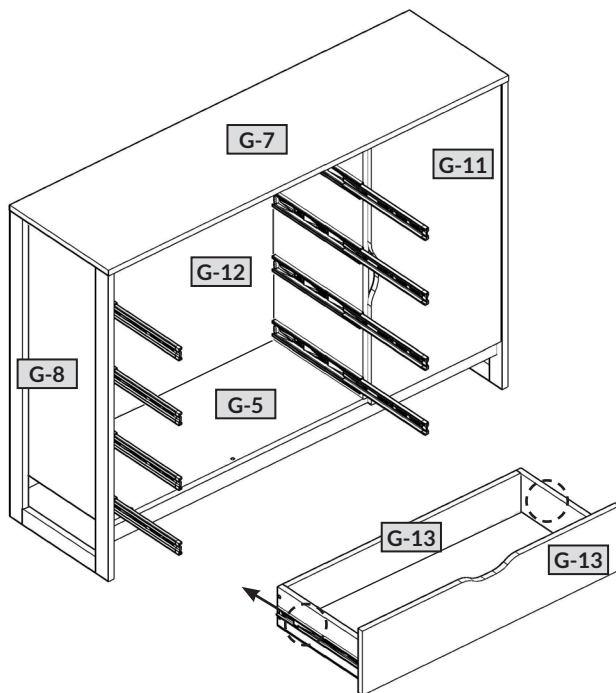
19



20

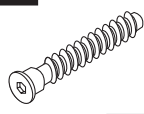


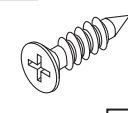
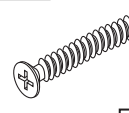
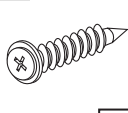


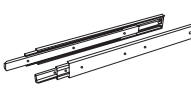
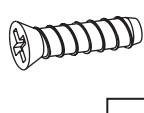
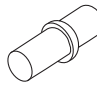
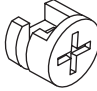
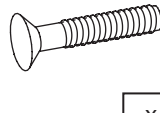
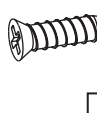
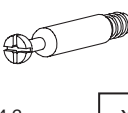
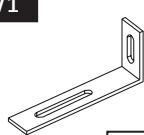
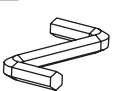




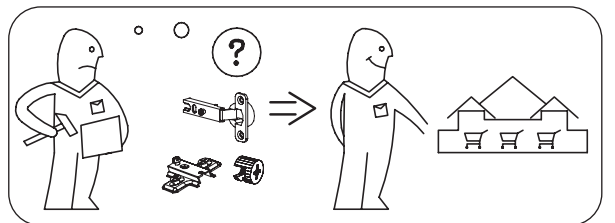
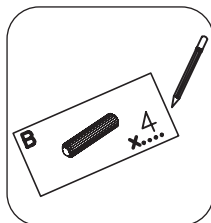
21

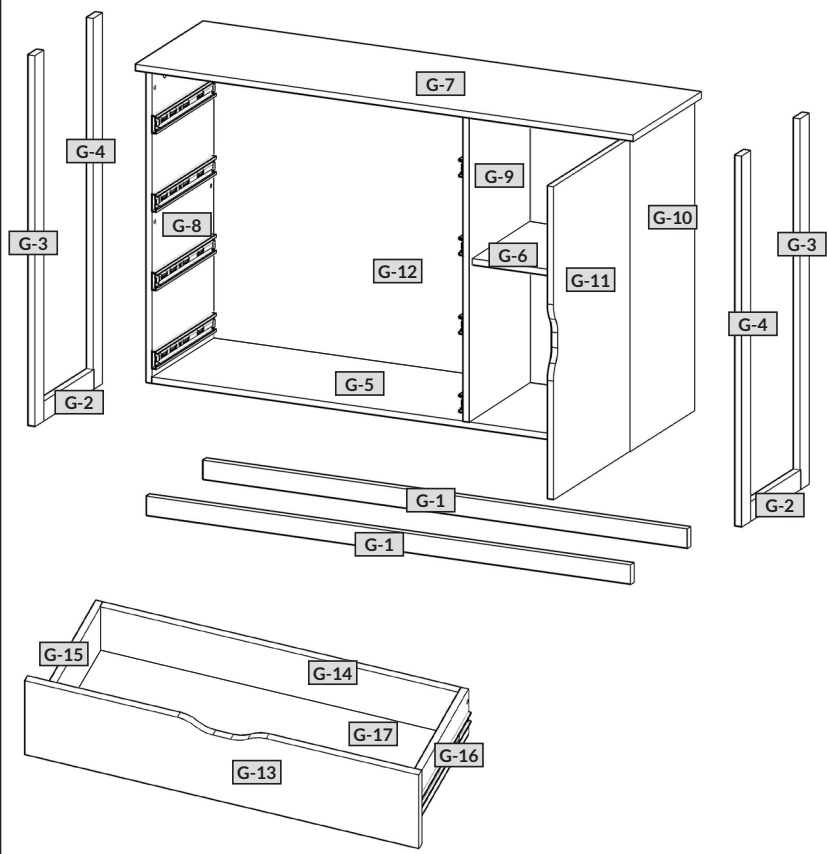


--

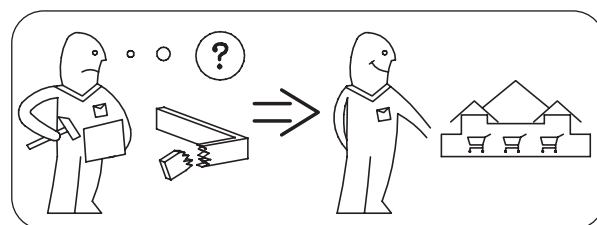
G

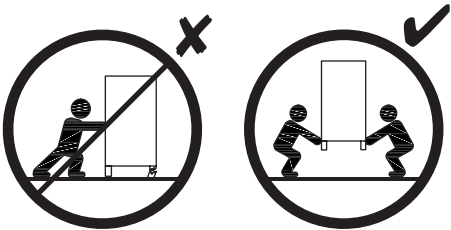
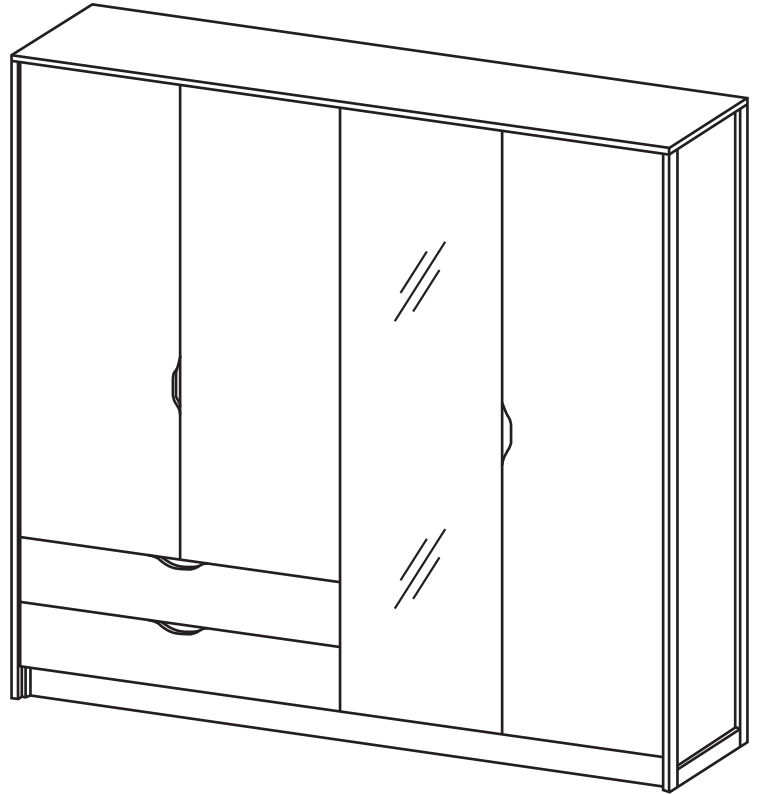
<p>A</p>  <p>7 x 50 mm X ...</p>	<p>B</p>  <p>8 x 32 mm X ...</p>	<p>C</p>  <p>(P/D) X ...</p>
<p>E</p>  <p>3,5 x 13 mm X ...</p>	<p>E2</p>  <p>3 x 20 mm X ...</p>	<p>EP2</p>  <p>4 x 20 mm X ...</p>
<p>G2</p>  <p>X ...</p>	<p>H1</p>  <p>X ...</p>	<p>K6</p>  <p>L=350 mm X ...</p>
<p>T4</p>  <p>6,3 x 24 mm X ...</p>	<p>P</p>  <p>X ...</p>	<p>R</p>  <p>H=11 mm X ...</p>
<p>RB</p>  <p>X ...</p>	<p>T3</p>  <p>5 x 9 mm X ...</p>	<p>U</p>  <p>L=24,3 mm X ...</p>
<p>W1</p>  <p>X ...</p>	<p>XA</p>  <p>X ...</p>	
<p>ZA</p>  <p>Ø 4 X ...</p>	<p>ZR</p>  <p>Ø 15 X ...</p>	





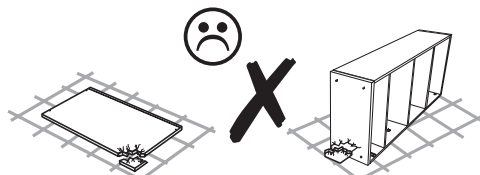
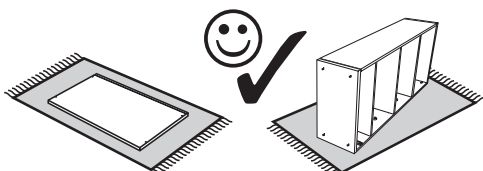
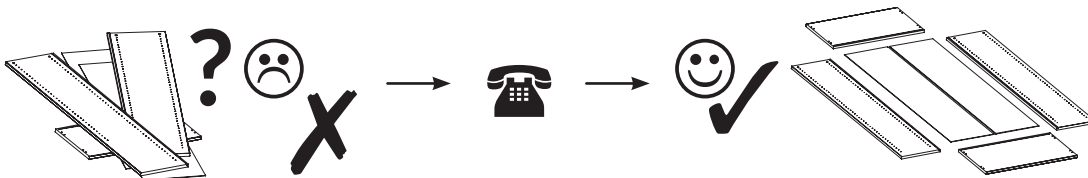
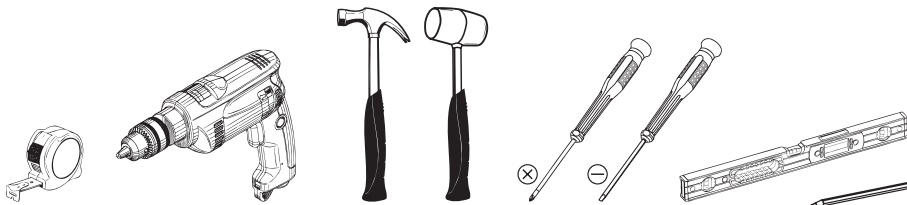
nr	↔ [mm]	↓ [mm]	∅ [mm]	Menge	Colli
G-1	1340	50	15	x2	1/2
G-2	294	50	15	x2	1/2
G-3	972	50	15	x2	2/2
G-4	972	50	15	x2	2/2
G-5	1308	359	16	x1	1/2
G-6	430	340	16	x1	1/2
G-7	1378	396	16	x1	1/2
G-8	822	374	16	x1	2/2
G-9	806	359	16	x1	2/2
G-10	822	374	16	x1	2/2
G-11	446	820	16	x1	2/2
G-12	1322	830	3	x1	1/2
G-13	886	202	16	x4	1/2
G-14	806	120	16	x4	1/2
G-15	350	120	16	x4	1/2
G-16	350	120	16	x4	1/2
G-17	838	357	3	x4	2/2

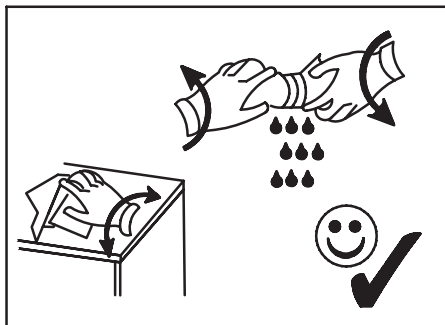
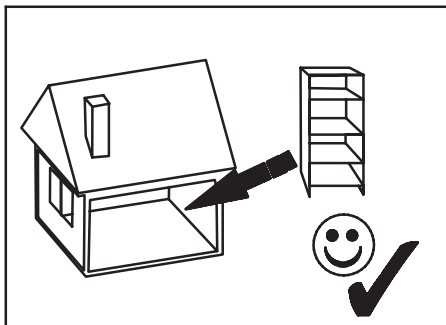
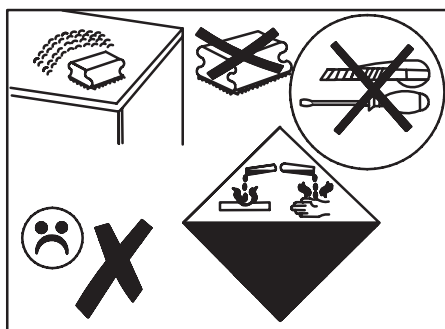
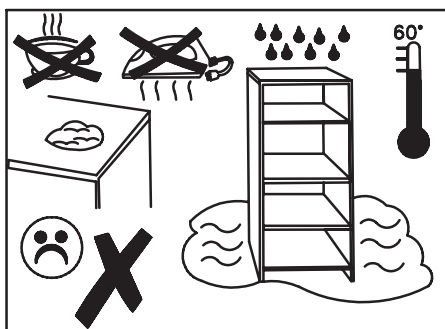
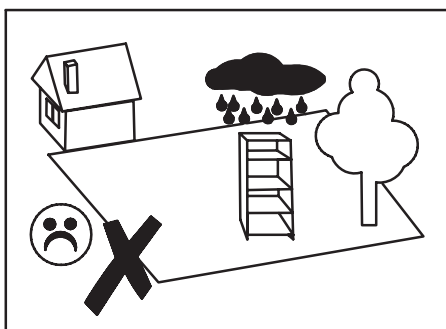
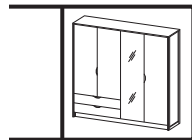


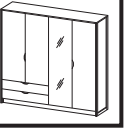


2023-09-06

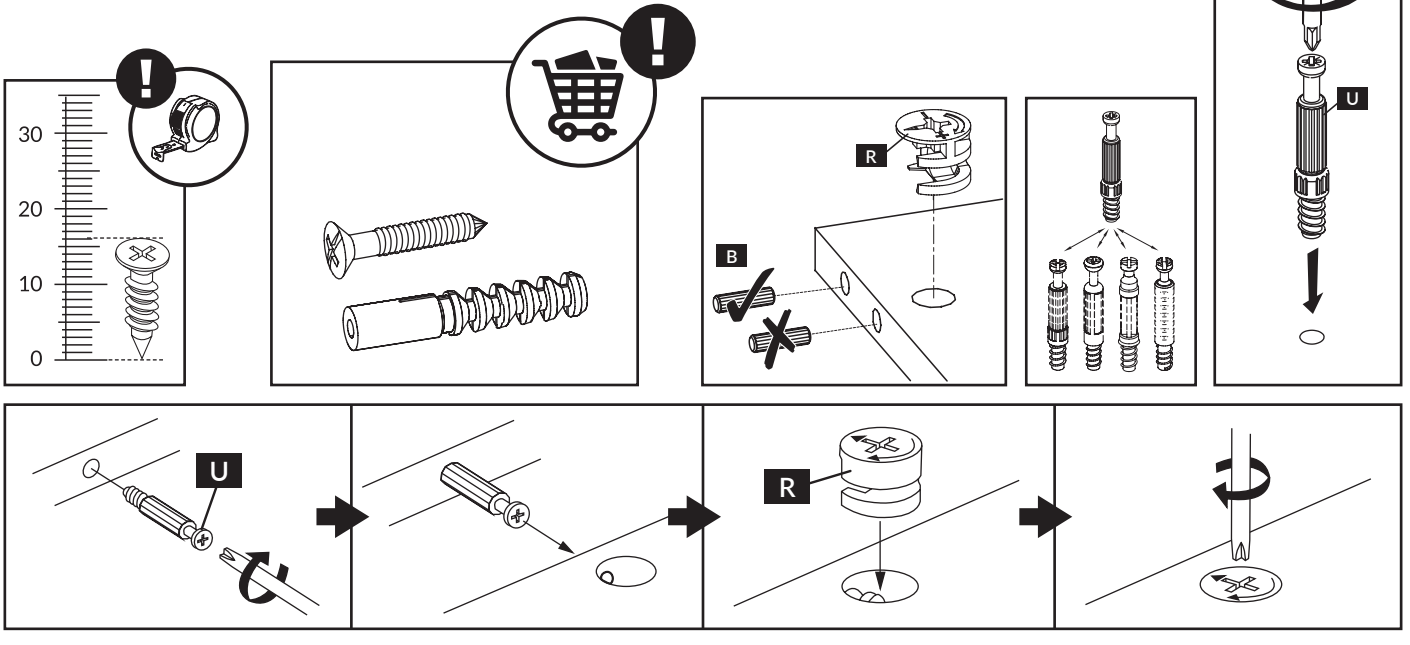
 3,5 h





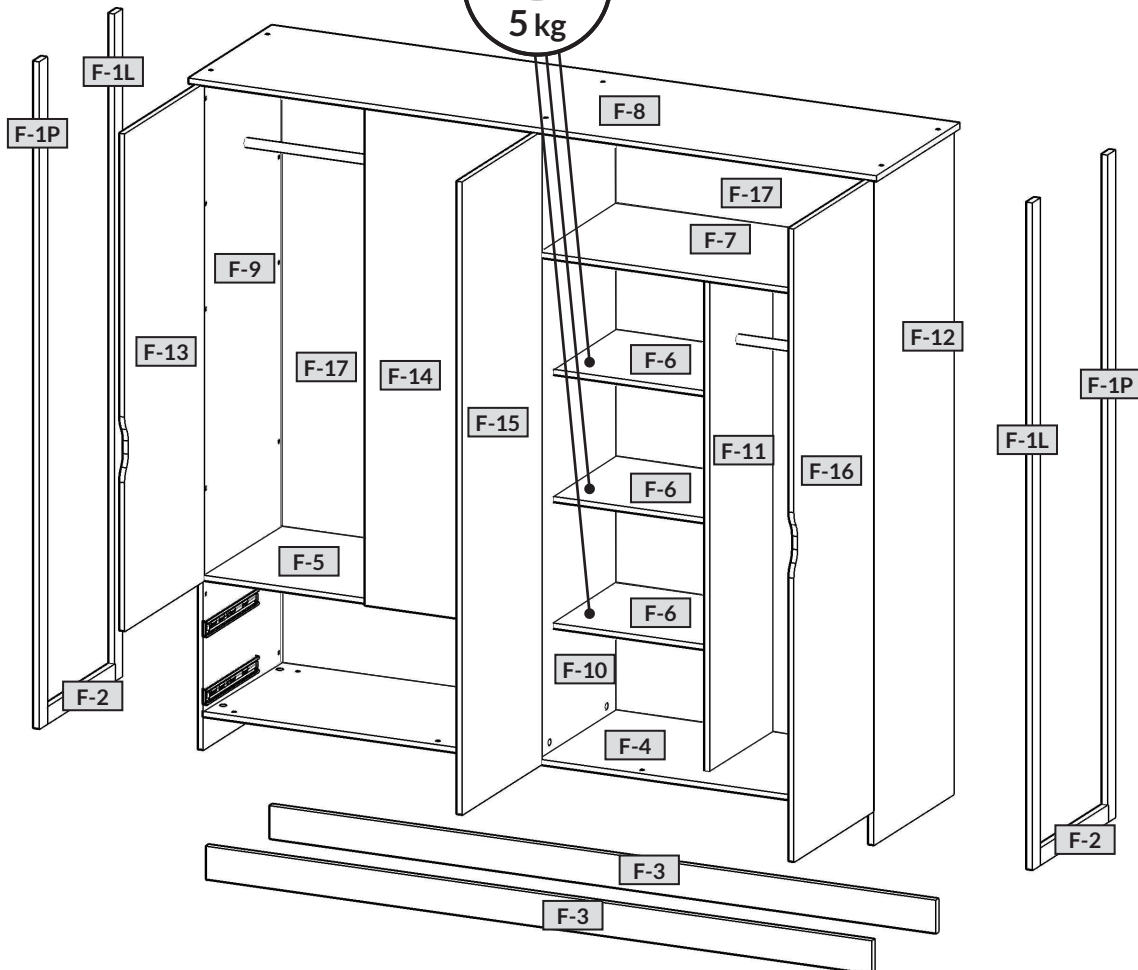
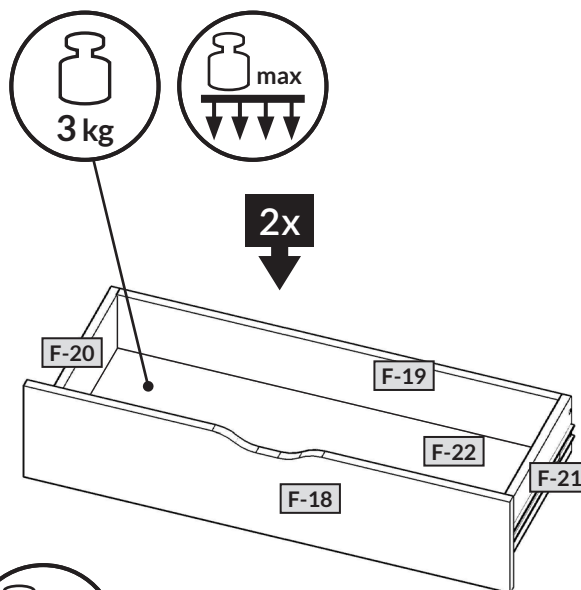


A 7 x 50 mm x 20	B 8 x 32 mm x 44	C (P/D) x 6	C2 (B/D) x 6	E 3,5 x 13 mm x 37	E2 3 x 20 mm x 44
EP2 4 x 20 mm x 24	G2 x 16	H1 x 14	K6 L=450 mm x 2	P x 12	Q2 Ø 20 x 11
R H=11 mm x 16	RB x 8	T3 5 x 9 mm x 16	T4 6,3 x 24 mm x 24	U L=24,3 mm x 16	V1 L=1050 mm x 1
V2 L=549 mm x 1	V7 x 4	W1 x 1	W14 L=450 mm x 2	XA x 1	ZA Ø 4 x 16
ZR Ø 15 x 16					



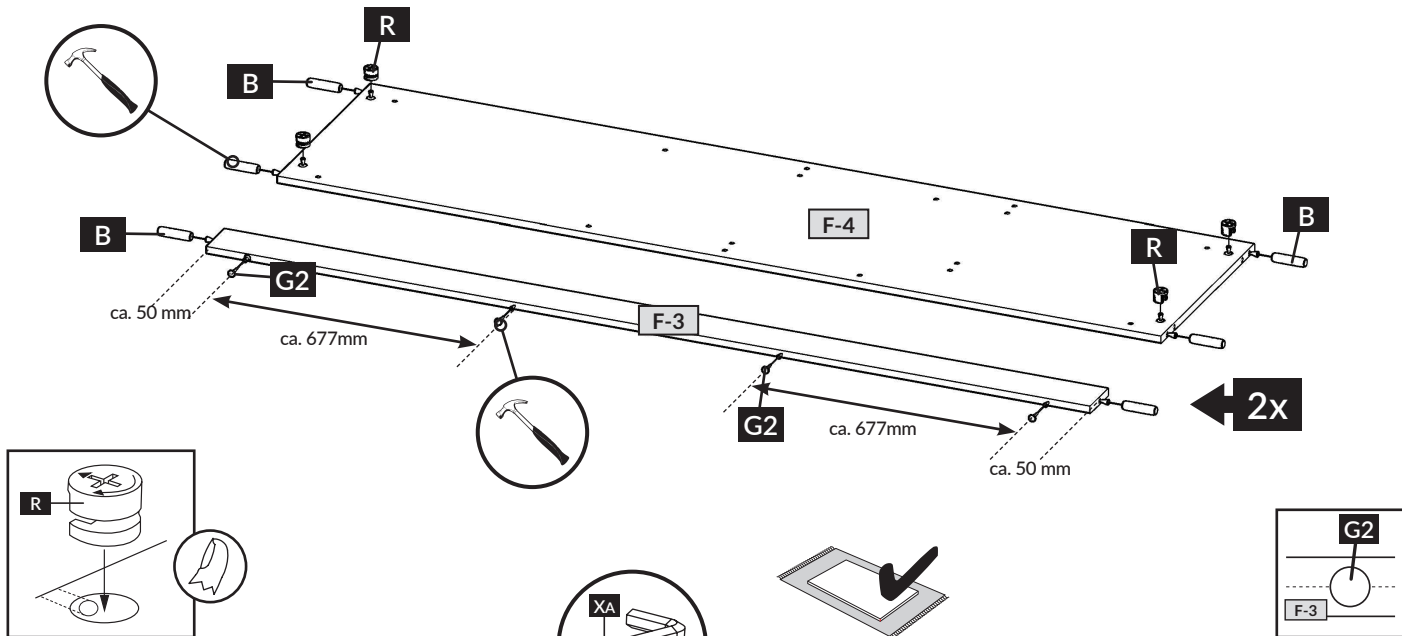
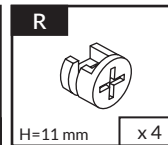
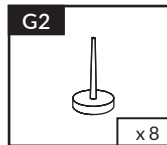
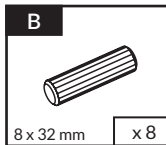


nr	↔ [mm]	↕ [mm]	∅ [mm]	Menge	Colli
F-1L	2024	50	15	x2	1/5
F-1P	2024	50	15	x2	1/5
F-2	460	50	15	x2	3/5
F-3	2132	100	16	x2	1/5
F-4	2132	525	16	x1	1/5
F-5	1058	525	16	x1	3/5
F-6	485	425	16	x3	3/5
F-7	1058	525	16	x1	3/5
F-8	2202	562	16	x1	1/5
F-9	2024	540	16	x1	2/5
F-10	1908	525	16	x1	4/5
F-11	1500	425	16	x1	5/5
F-12	2024	540	16	x1	2/5
F-13	537	1508	16	x1	5/5
F-14	537	1508	16	x1	5/5
F-15	537	1920	16	x1	4/5
F-16	537	1920	16	x1	4/5
F-17	1073	1930	3	x2	2/5
F-18	1078	202	16	x2	3/5
F-19	1002	120	16	x2	1/5
F-20	450	120	16	x2	3/5
F-21	450	120	16	x2	3/5
F-22	1034	456	3	x2	1/5

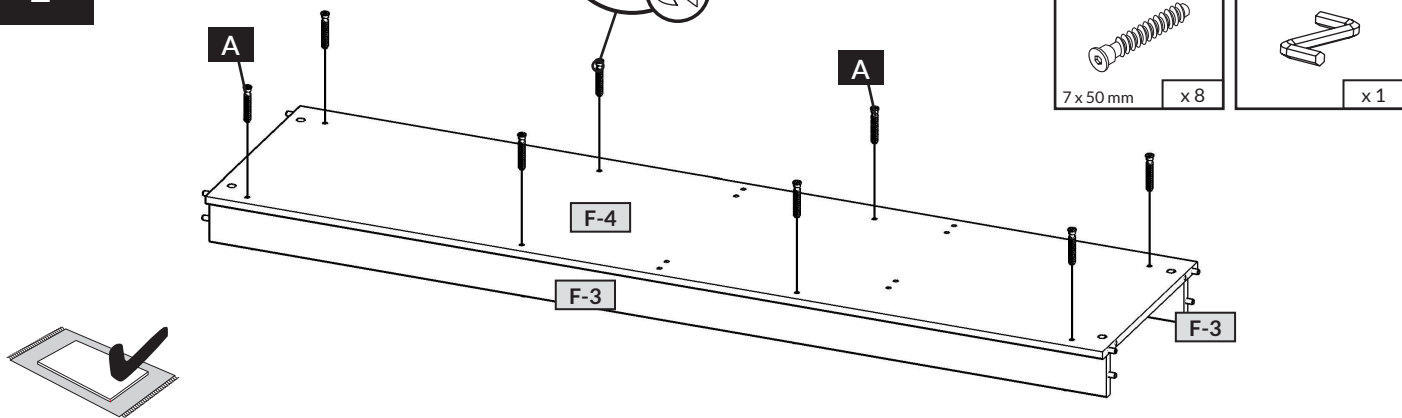
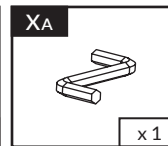
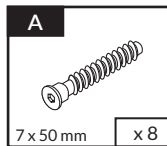




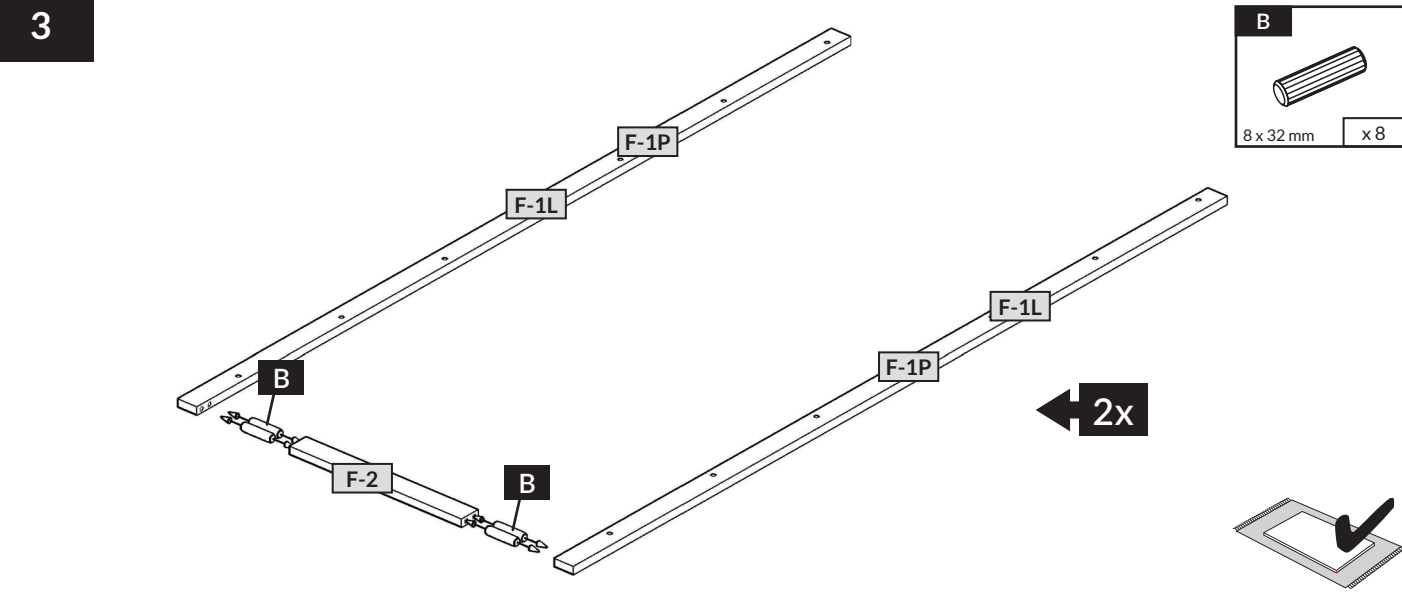
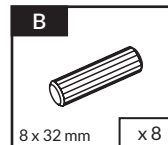
1

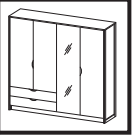


2

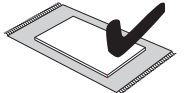
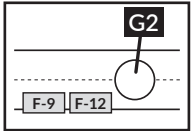
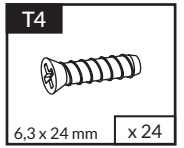
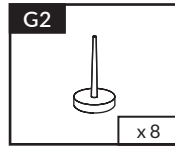
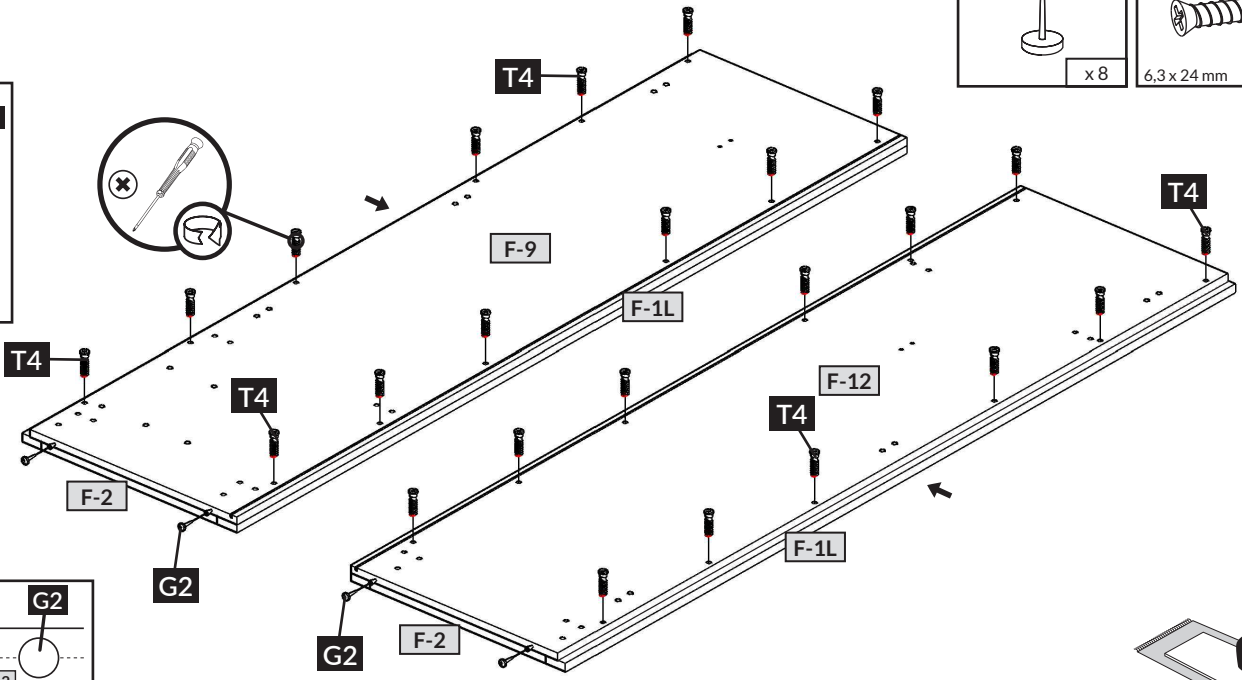
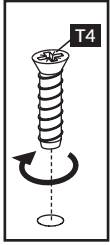


3

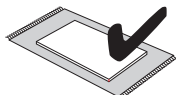
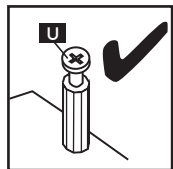
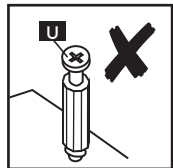
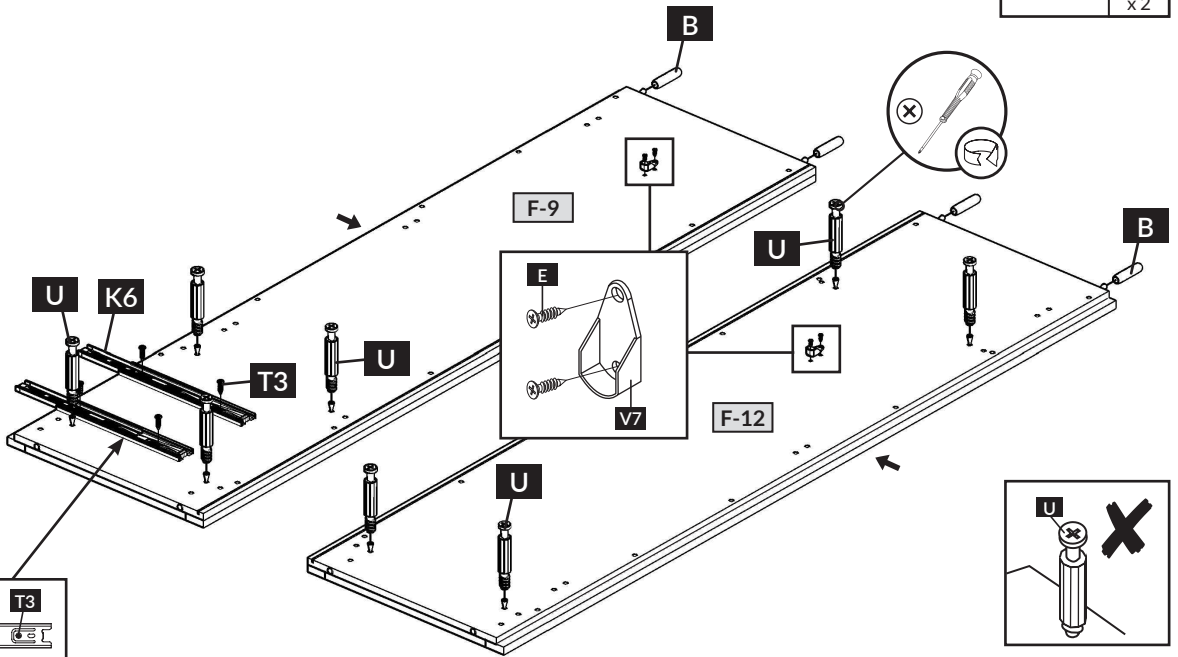
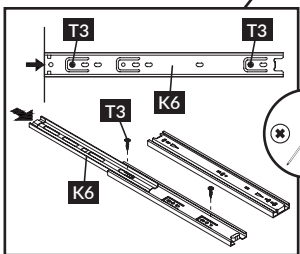
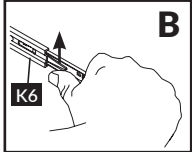
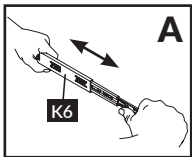
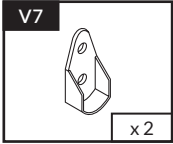
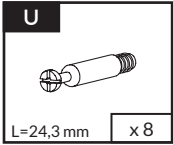
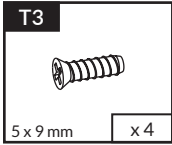
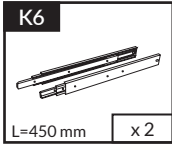
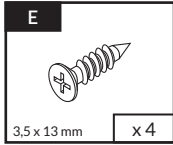
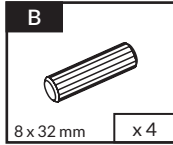




4

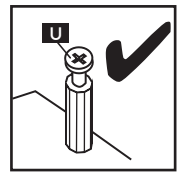
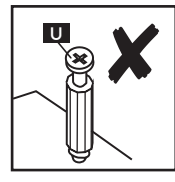
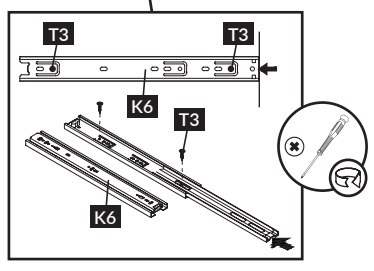
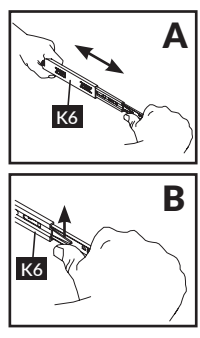
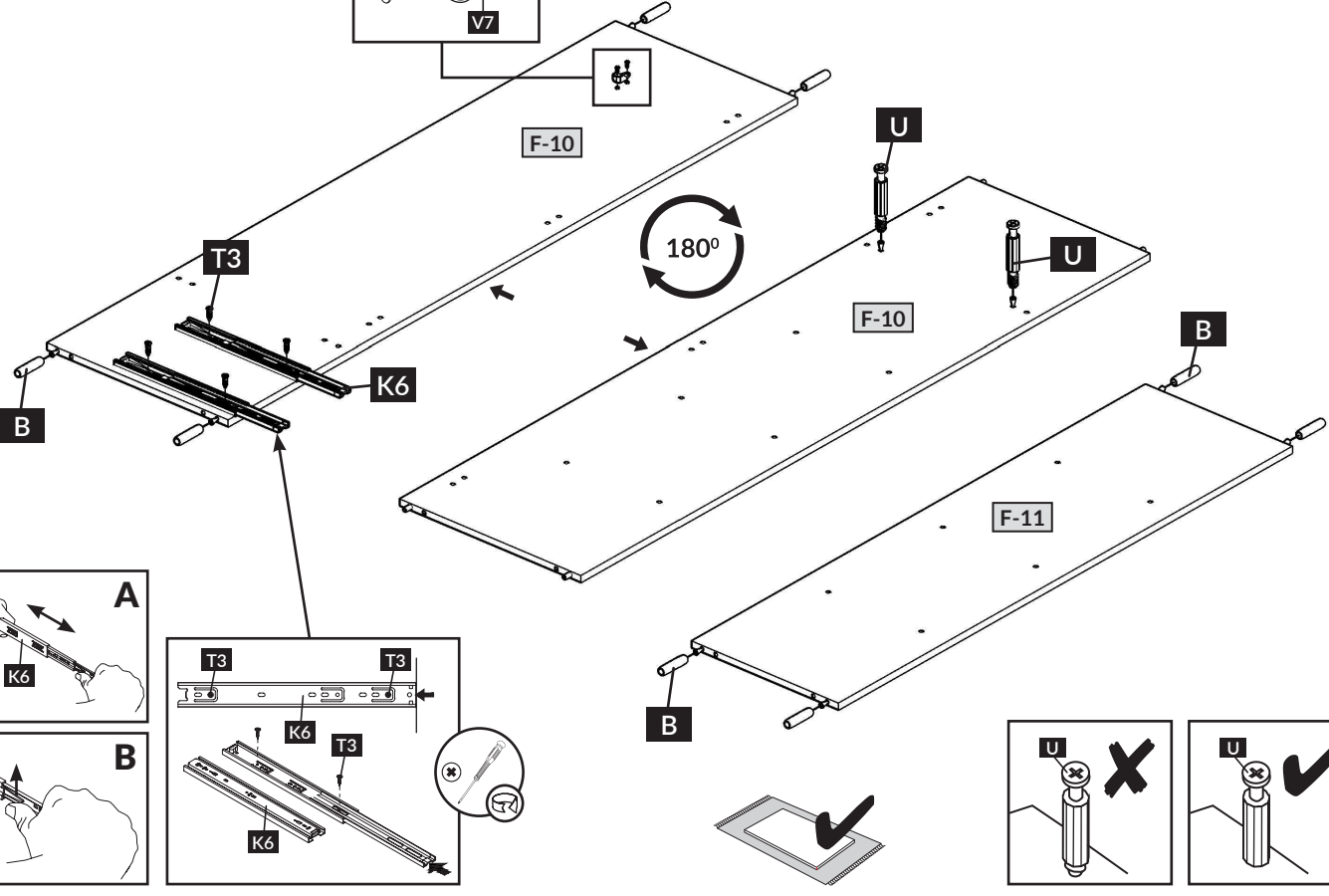
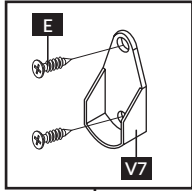
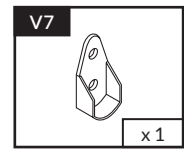
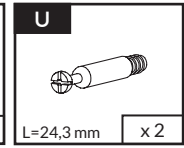
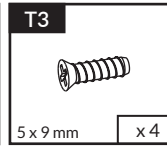
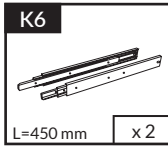
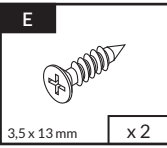
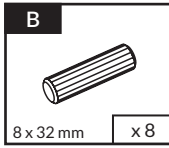


5

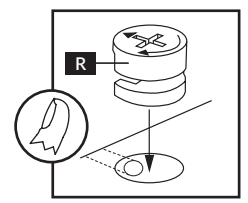
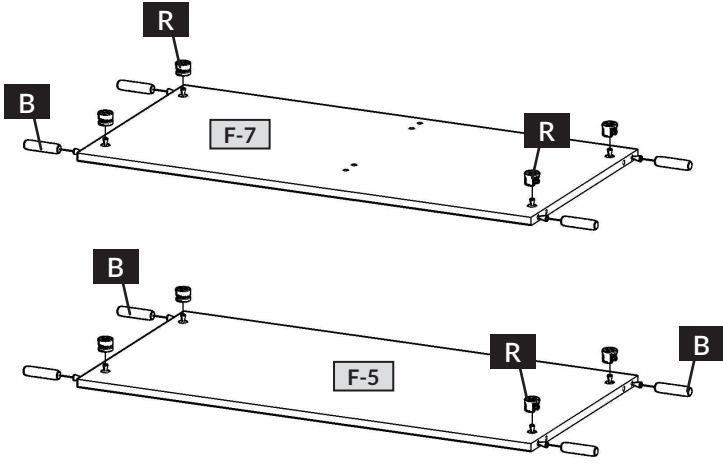
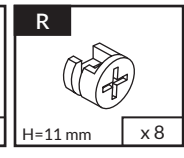
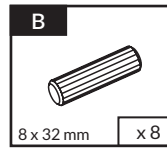




6

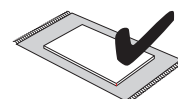
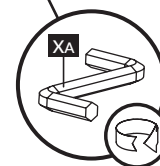
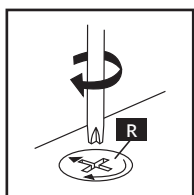
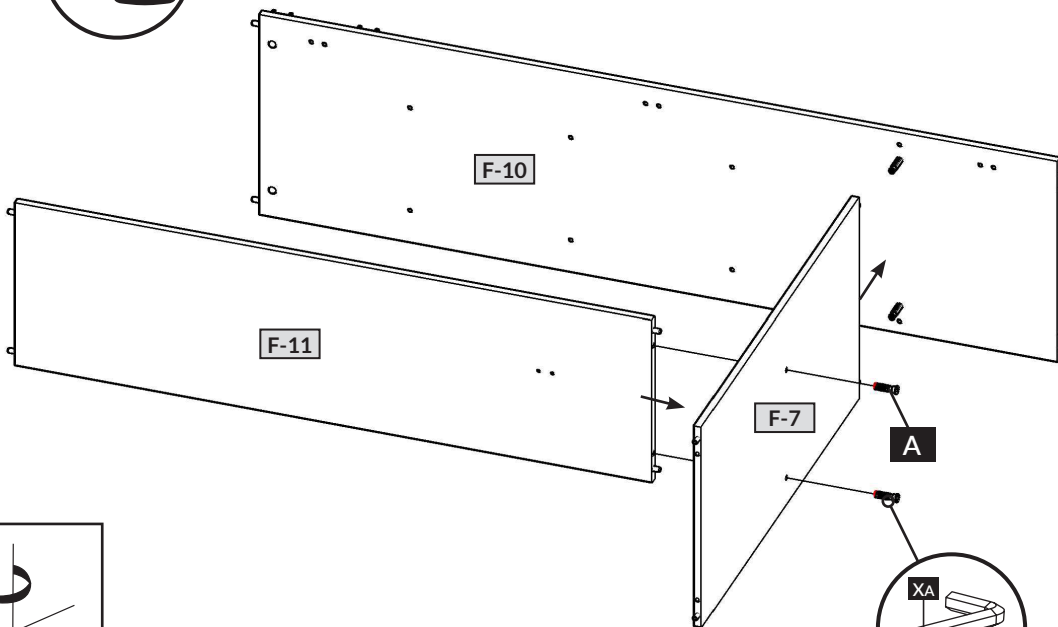
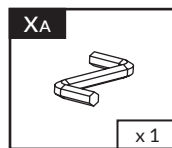
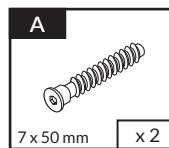


7

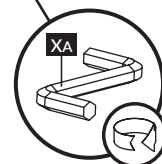
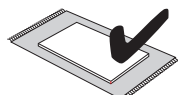
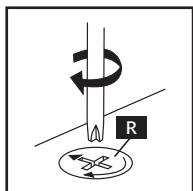
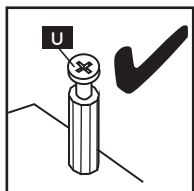
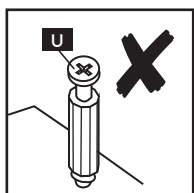
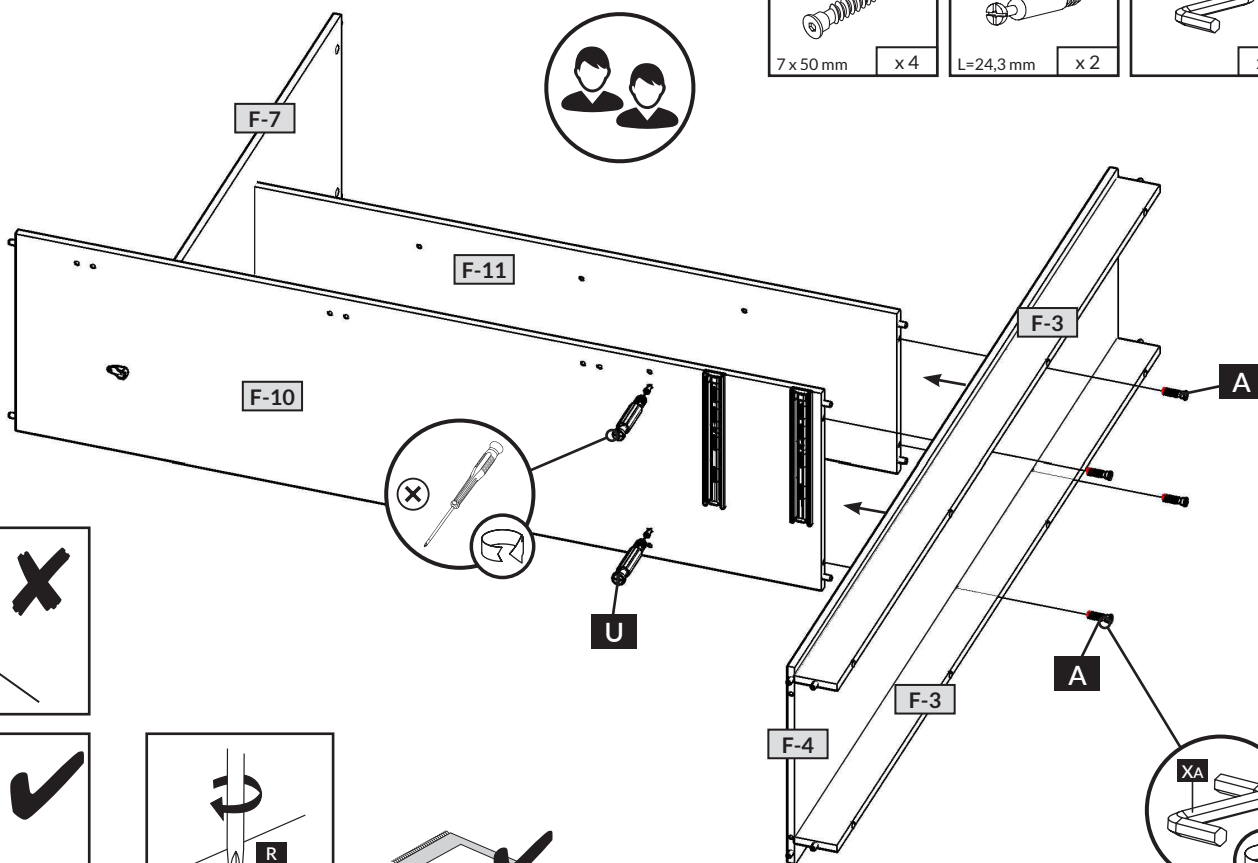
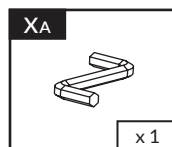
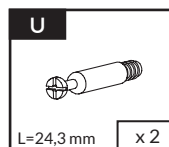
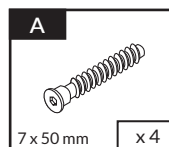


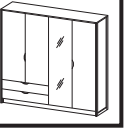


8

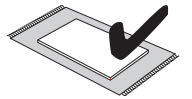
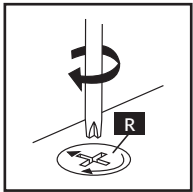
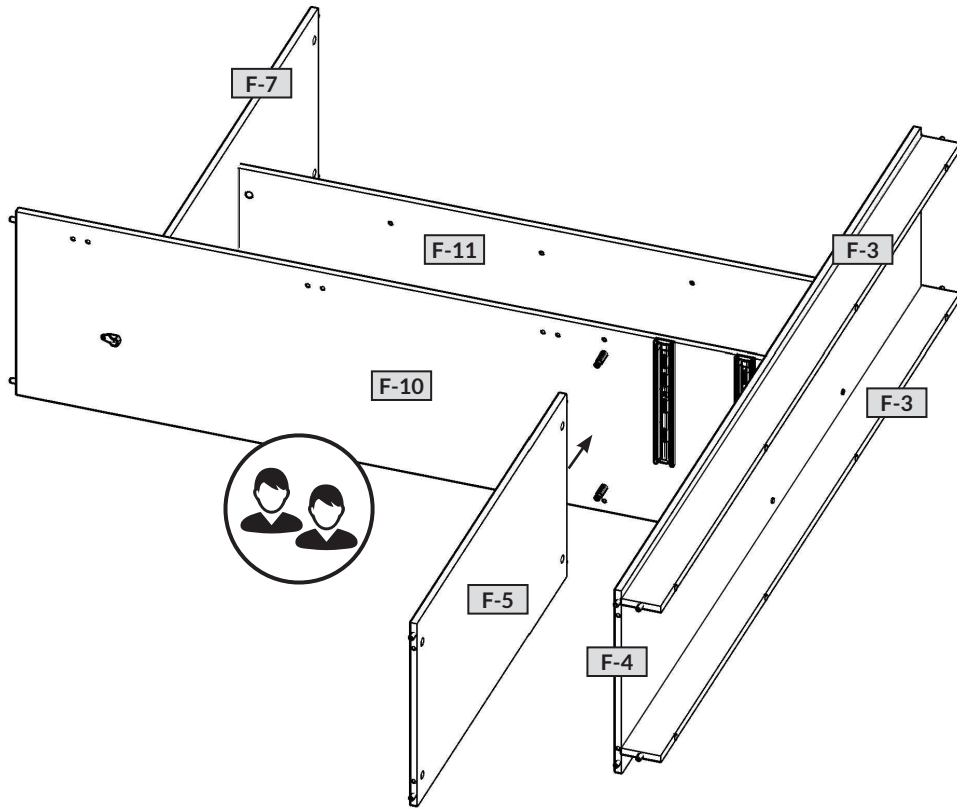


9

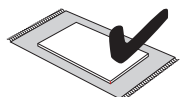
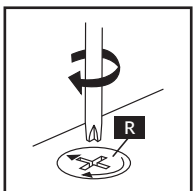
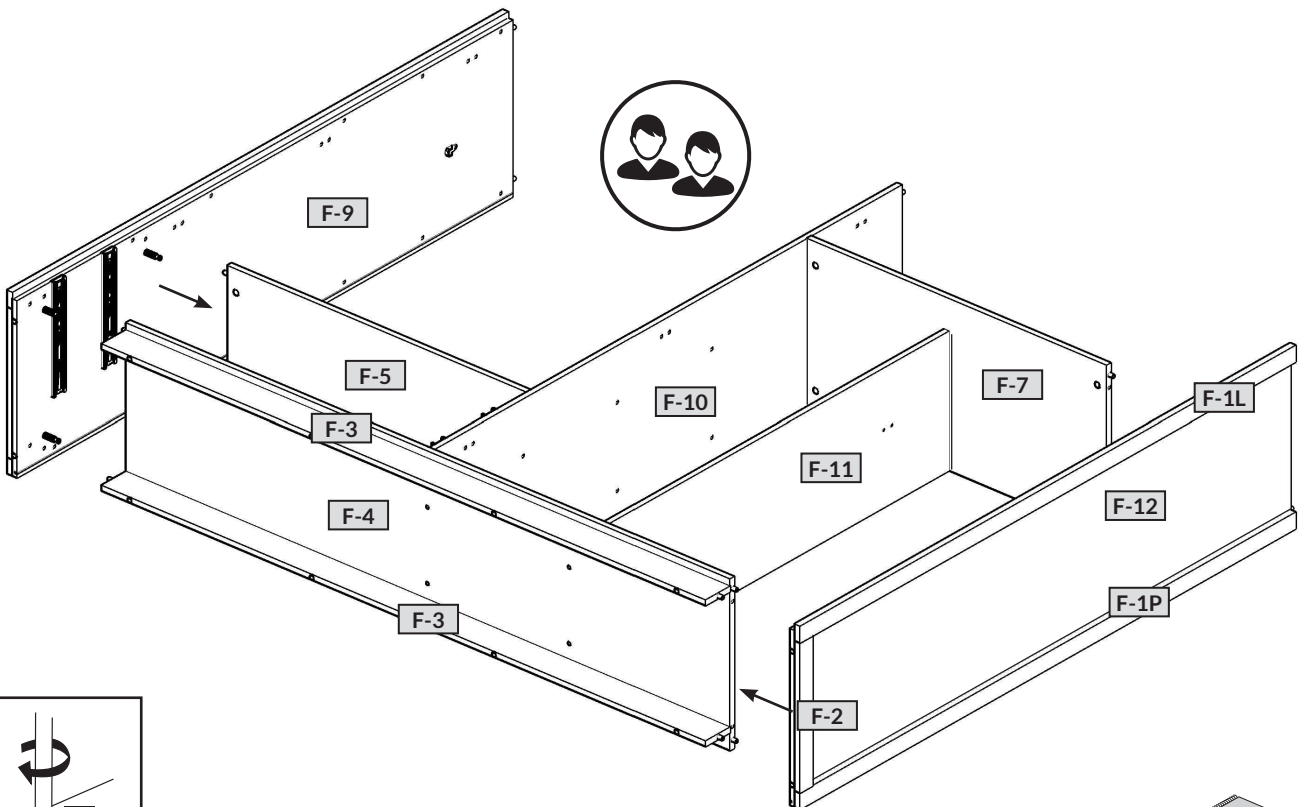




10

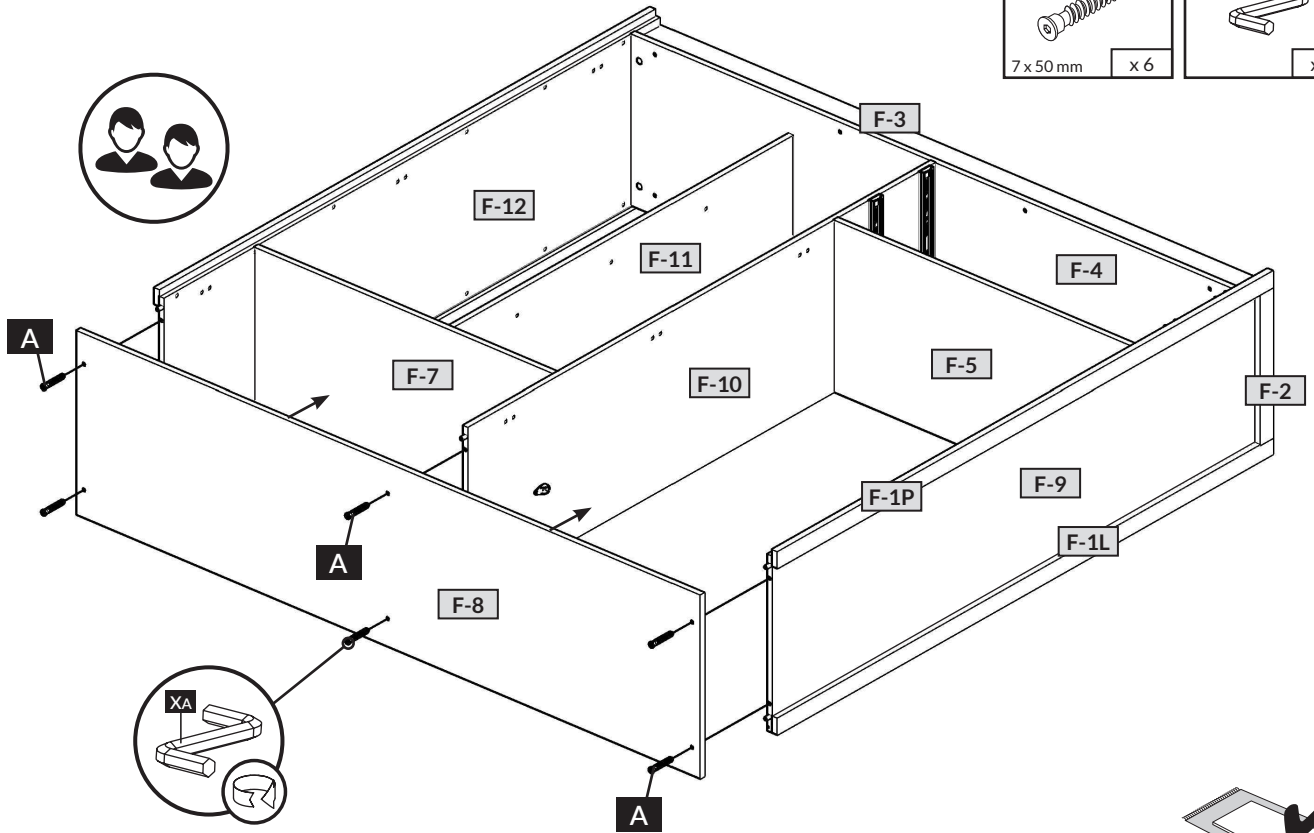
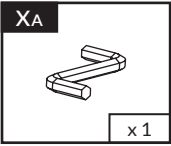
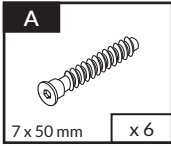


11

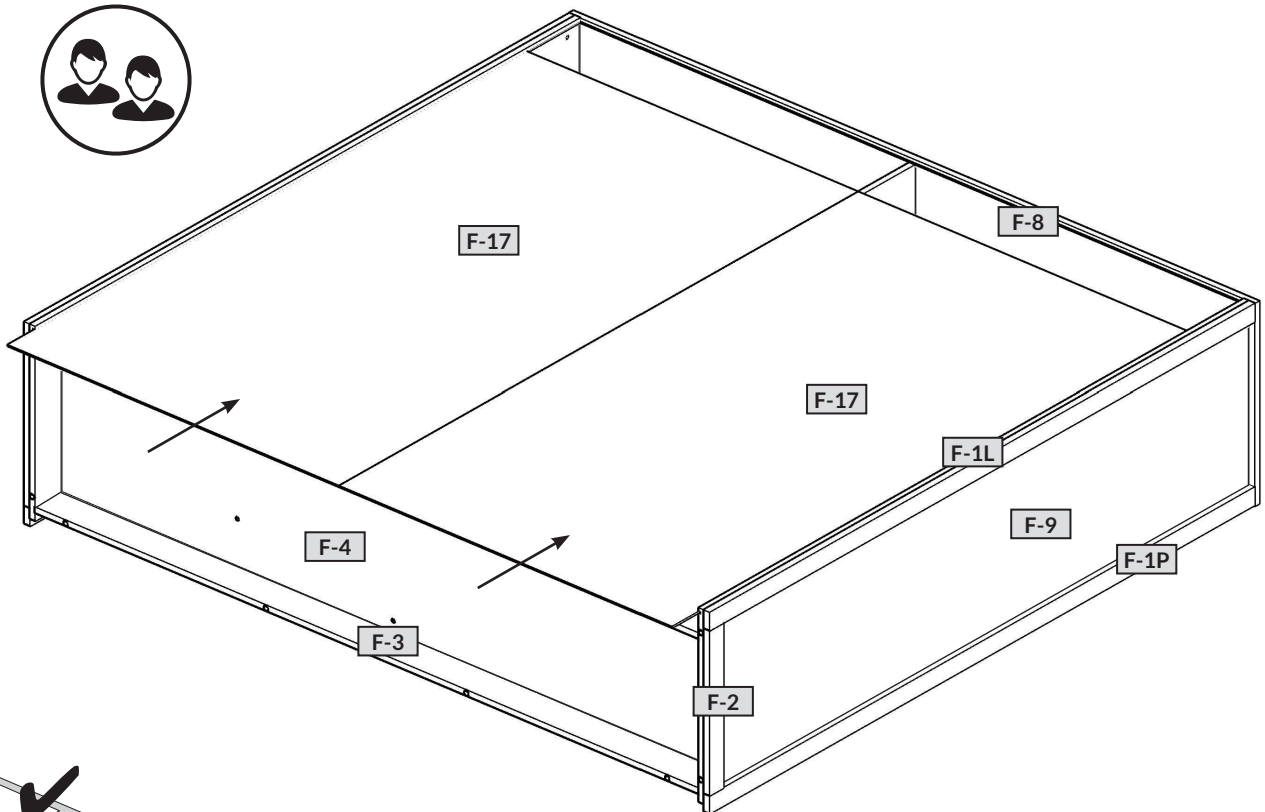




12

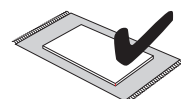
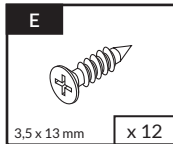
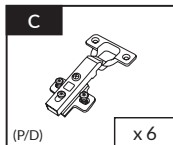
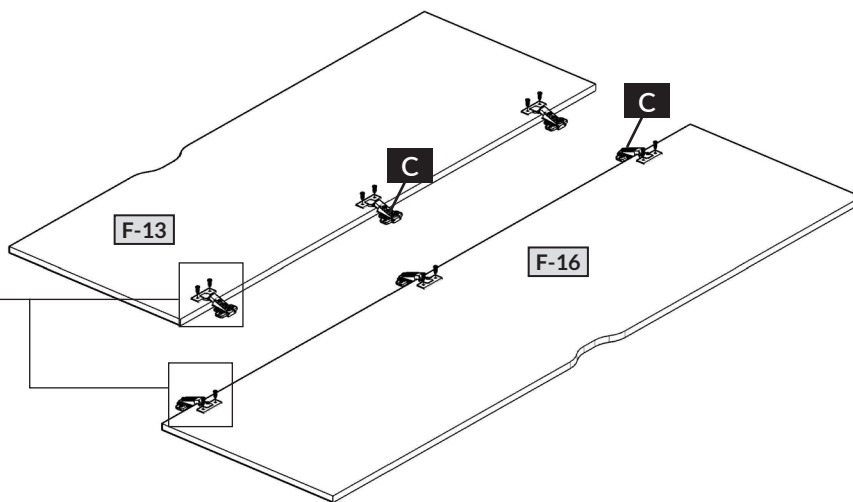
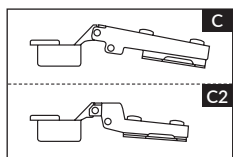
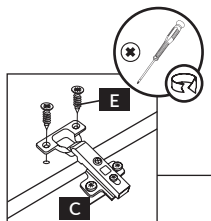


13

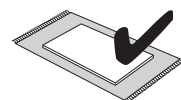
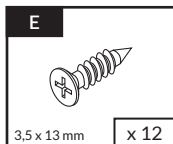
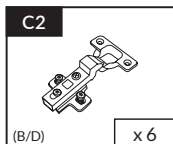
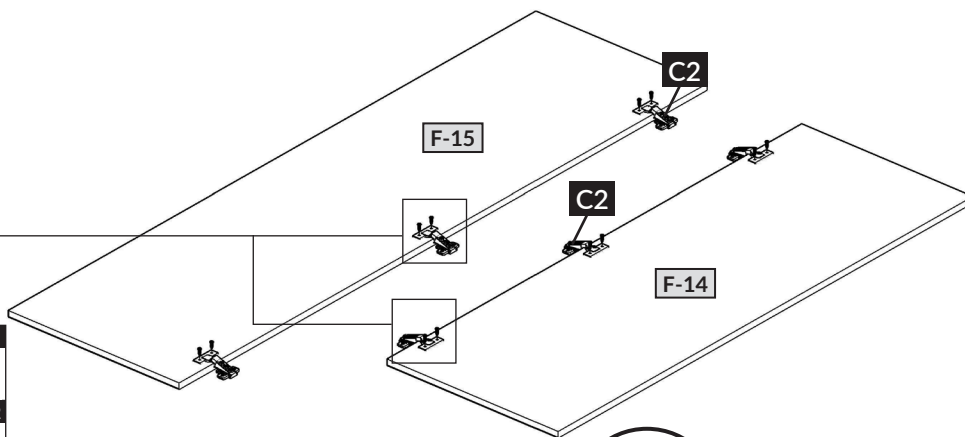
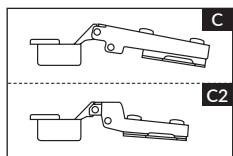
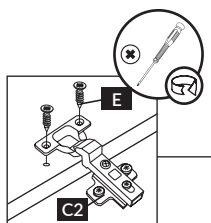




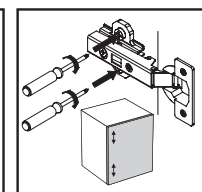
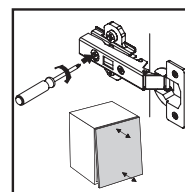
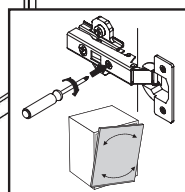
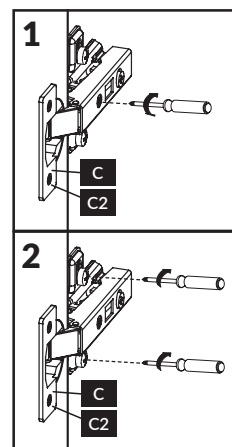
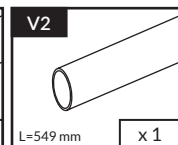
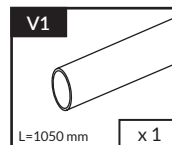
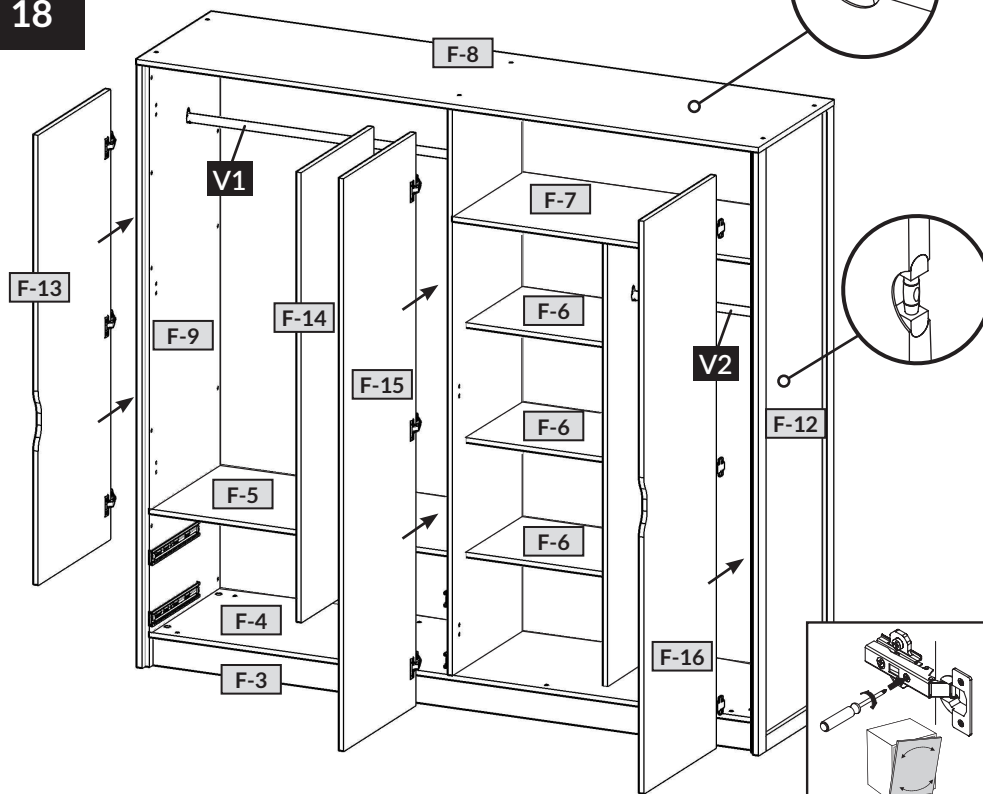
16



17

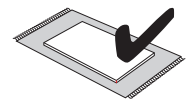
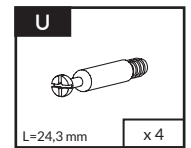
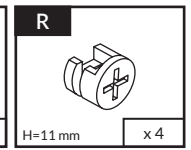
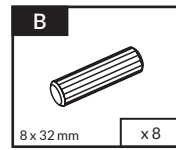
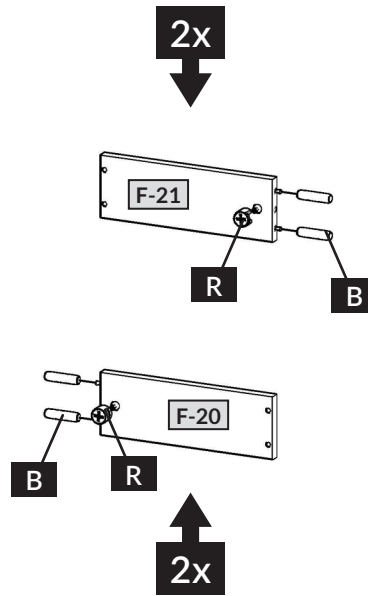
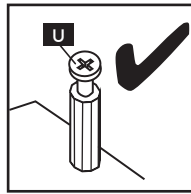
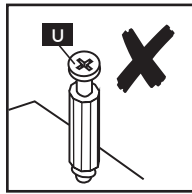
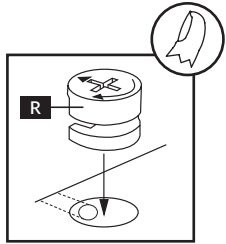
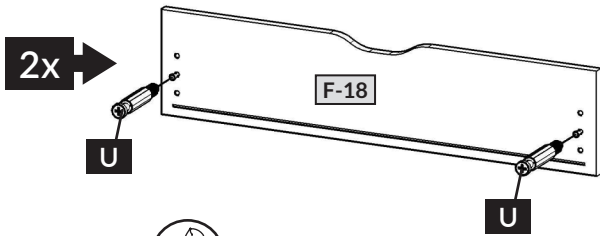


18

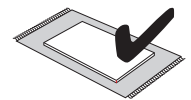
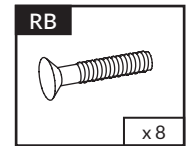
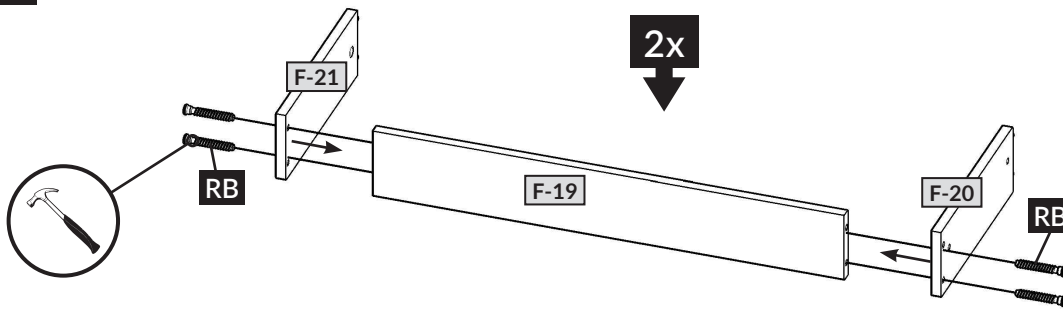




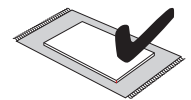
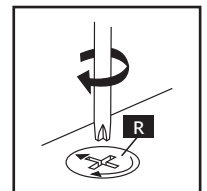
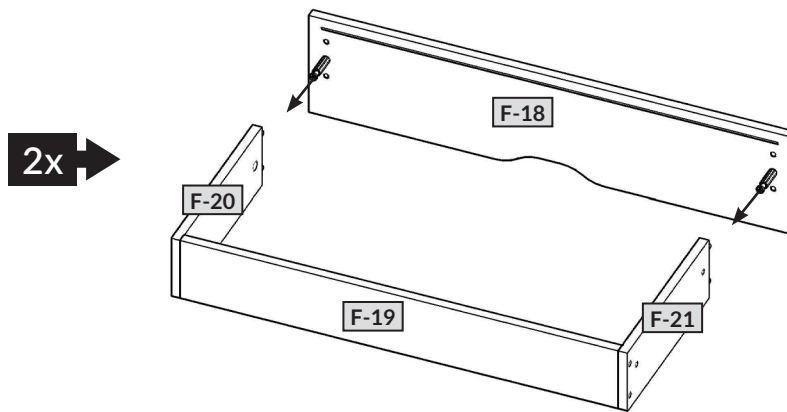
19



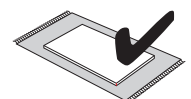
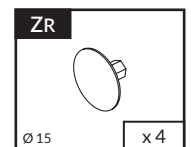
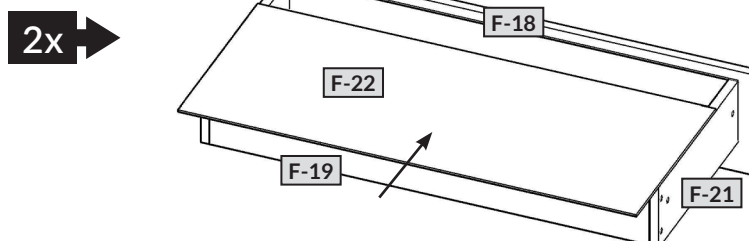
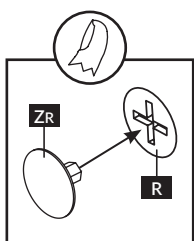
20



21

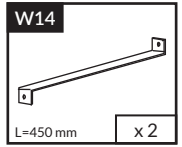
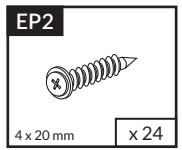
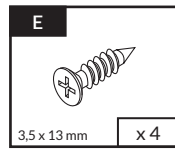
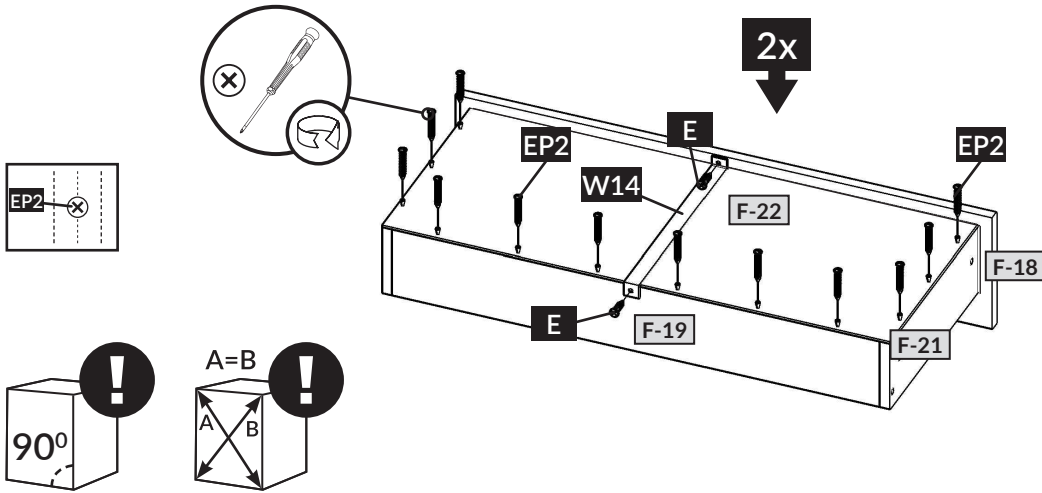


22

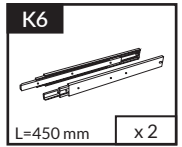
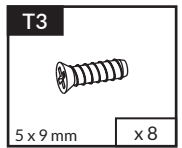
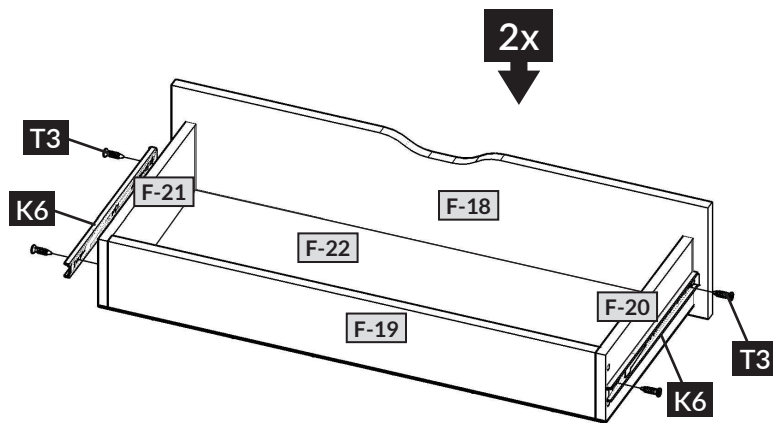




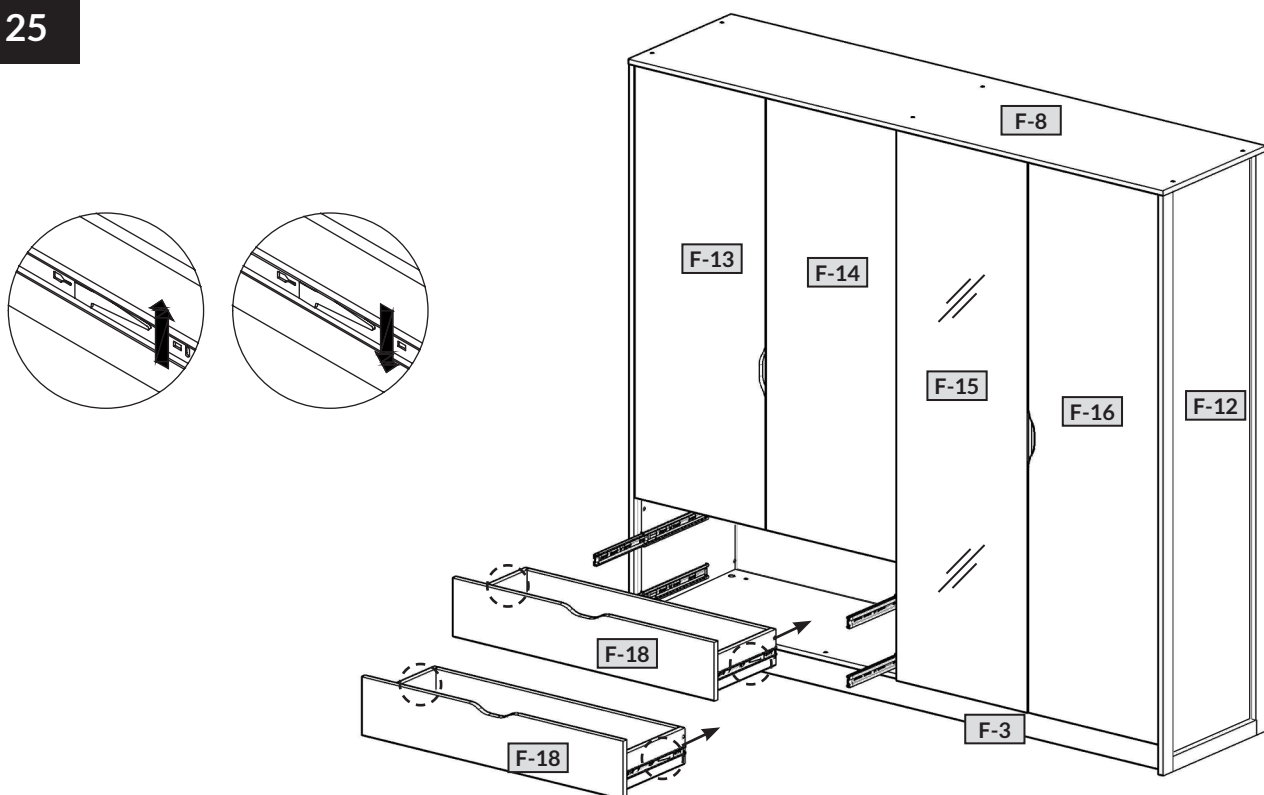
23

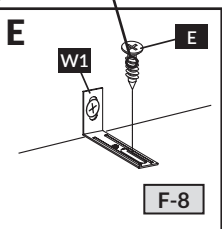
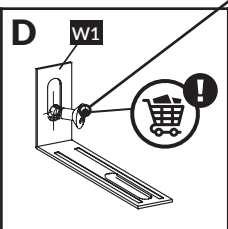
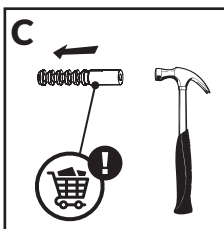
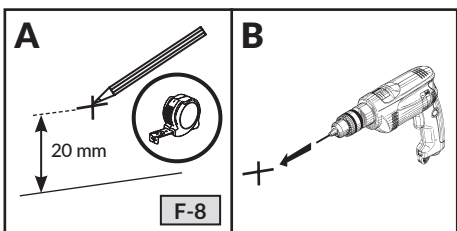
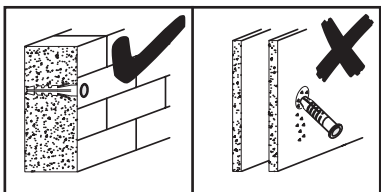
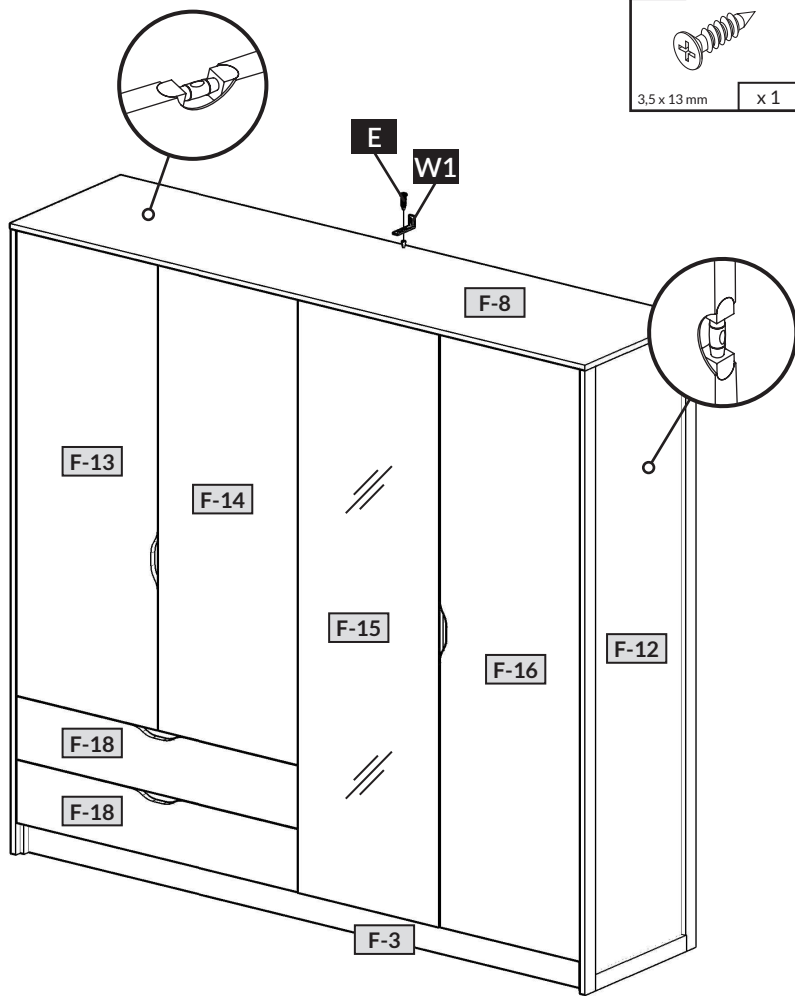
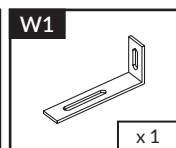
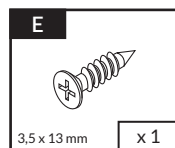


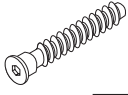
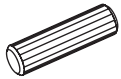
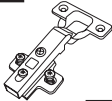
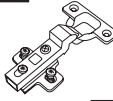
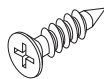




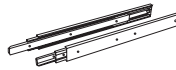
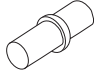

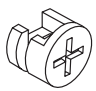
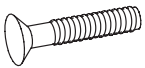


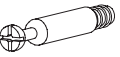
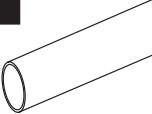
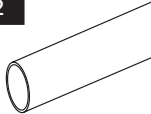
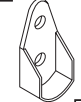
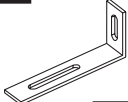

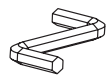


24

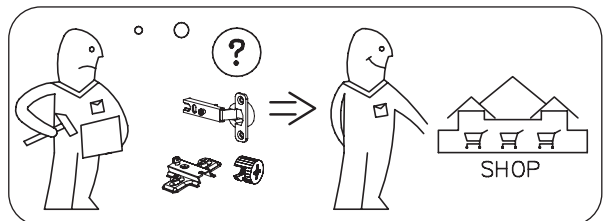
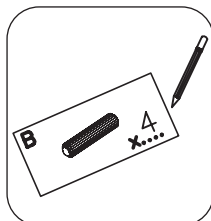


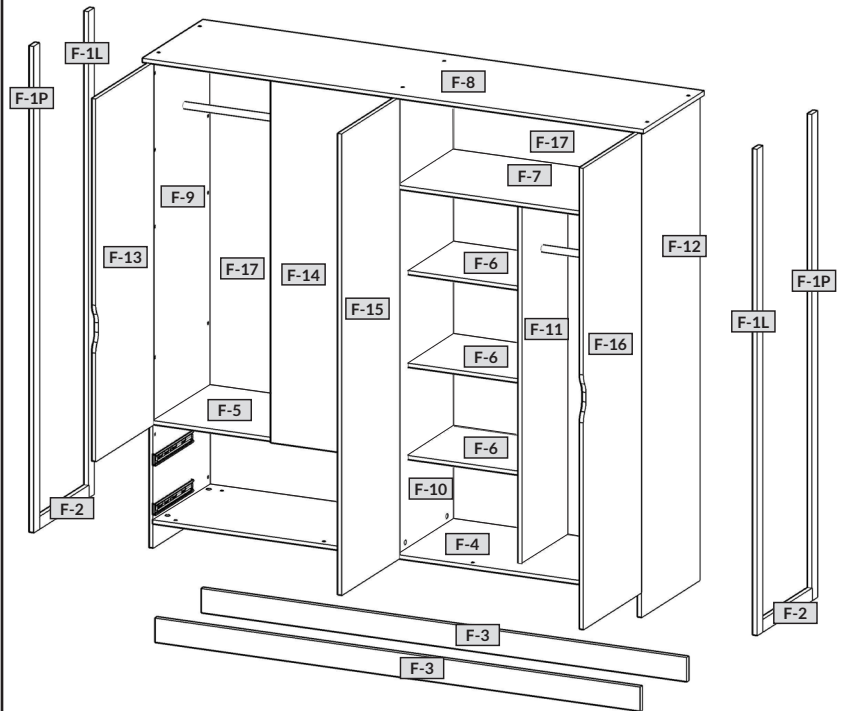
25





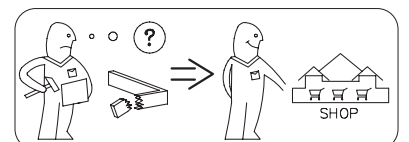
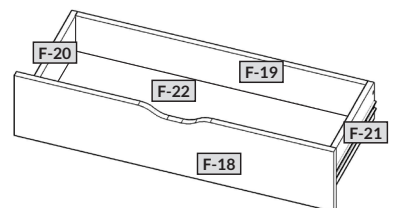
A  7 x 50 mm X ...	B  8 x 32 mm X ...	C  (P/D) X ...	C2  (B/D) X ...
E  3,5 x 13 mm X ...	E2  3 x 20 mm X ...	EP2  4 x 20 mm X ...	G2  X ...
H1  X ...	K6  L=450 mm X ...	P  X ...	Q2  Ø 20 X ...
R  H=11 mm X ...	RB  X ...	T3  5 x 9 mm X ...	T4  6,3 x 24 mm X ...
U  L=24,3 mm X ...	V1  L=1050 mm X ...	V2  L=549 mm X ...	V7  X ...
W1  X ...	W14  L=450 mm X ...	XA  X ...	
ZA  Ø 4 X ...	ZR  Ø 15 X ...		

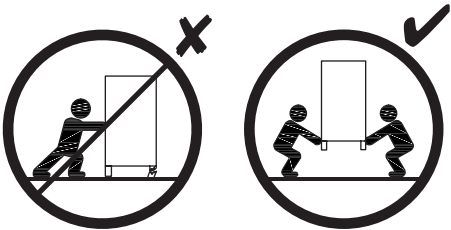
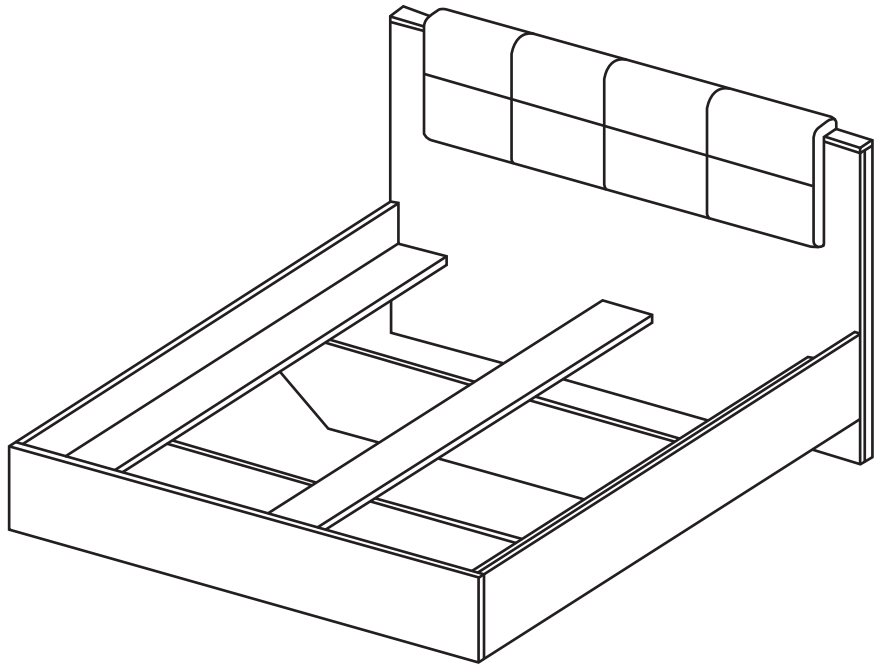




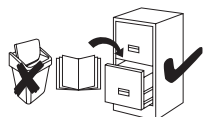
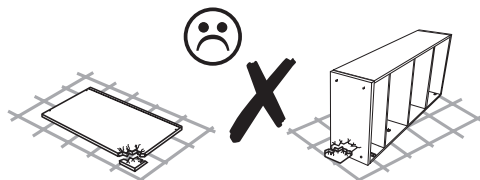
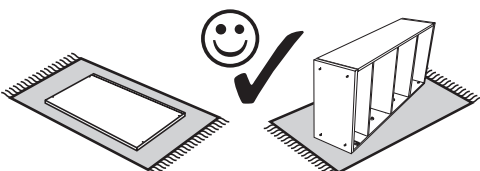
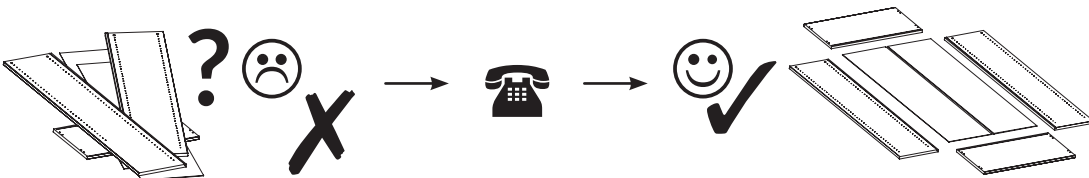
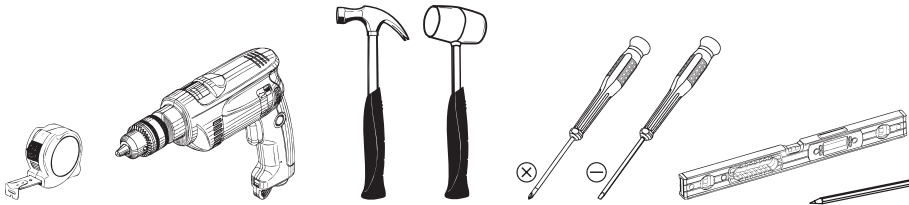
nr	↔ [mm]	↓ [mm]	∠ [mm]		Colli
F-1L	2024	50	15	x 2	1/5
F-1P	2024	50	15	x 2	1/5
F-2	460	50	15	x 2	3/5
F-3	2132	100	16	x 2	1/5
F-4	2132	525	16	x 1	1/5
F-5	1058	525	16	x 1	3/5
F-6	485	425	16	x 3	3/5
F-7	1058	525	16	x 1	3/5
F-8	2202	562	16	x 1	1/5
F-9	2024	540	16	x 1	2/5
F-10	1908	525	16	x 1	4/5
F-11	1500	425	16	x 1	5/5
F-12	2024	540	16	x 1	2/5
F-13	537	1508	16	x 1	5/5
F-14	537	1508	16	x 1	5/5
F-15	537	1920	16	x 1	4/5
F-16	537	1920	16	x 1	4/5
F-17	1073	1930	3	x 2	2/5
F-18	1078	202	16	x 2	3/5
F-19	1002	120	16	x 2	1/5
F-20	450	120	16	x 2	3/5
F-21	450	120	16	x 2	3/5
F-22	1034	456	3	x 2	1/5

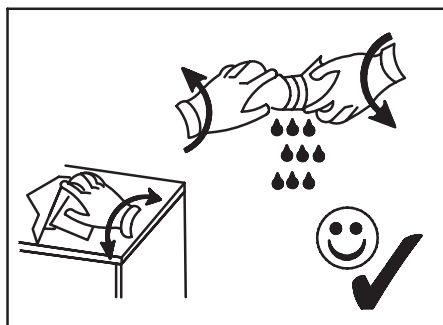
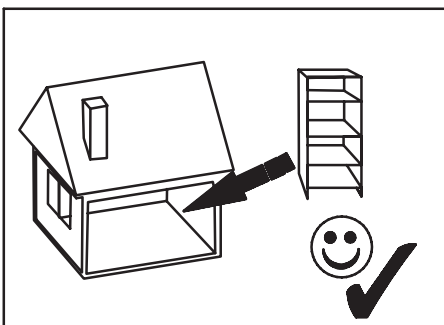
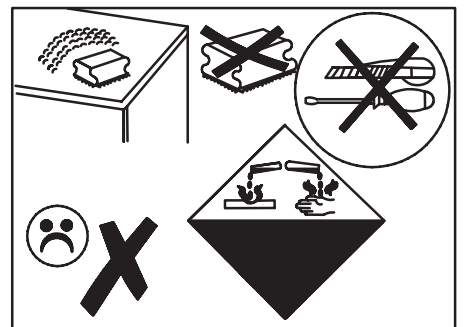
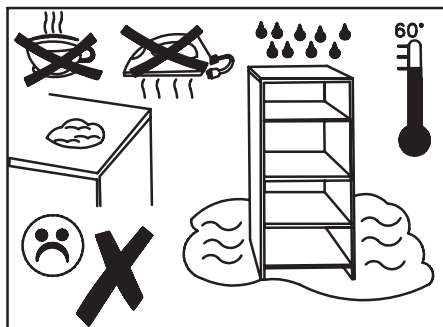
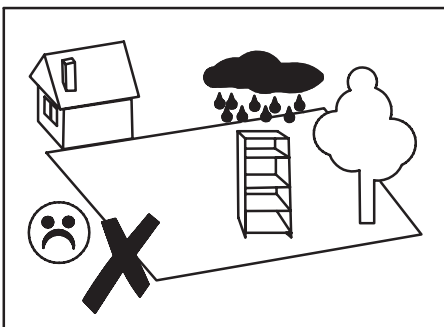
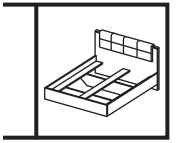
2x

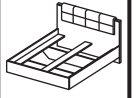




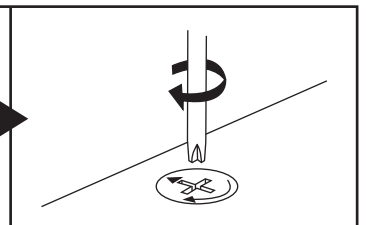
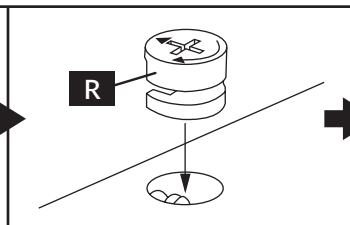
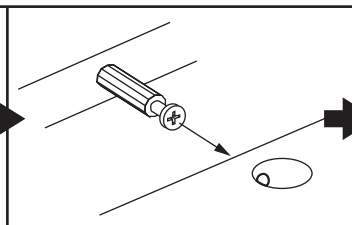
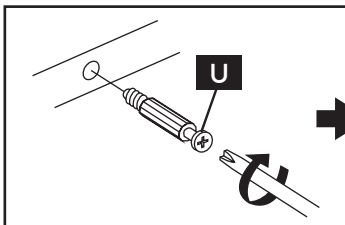
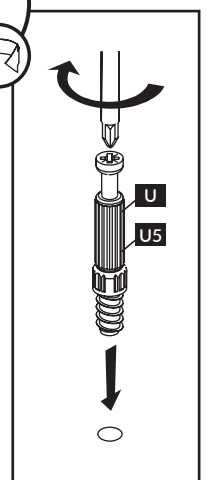
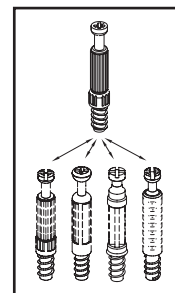
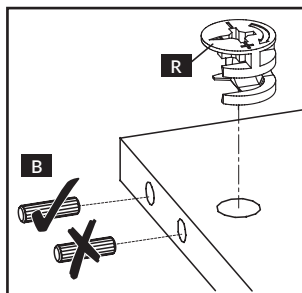
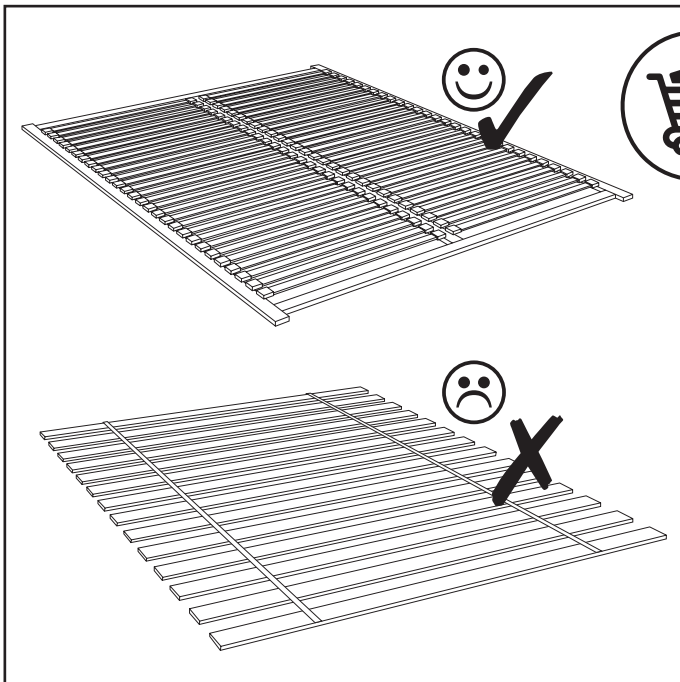
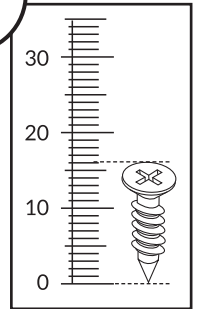
2023-09-06





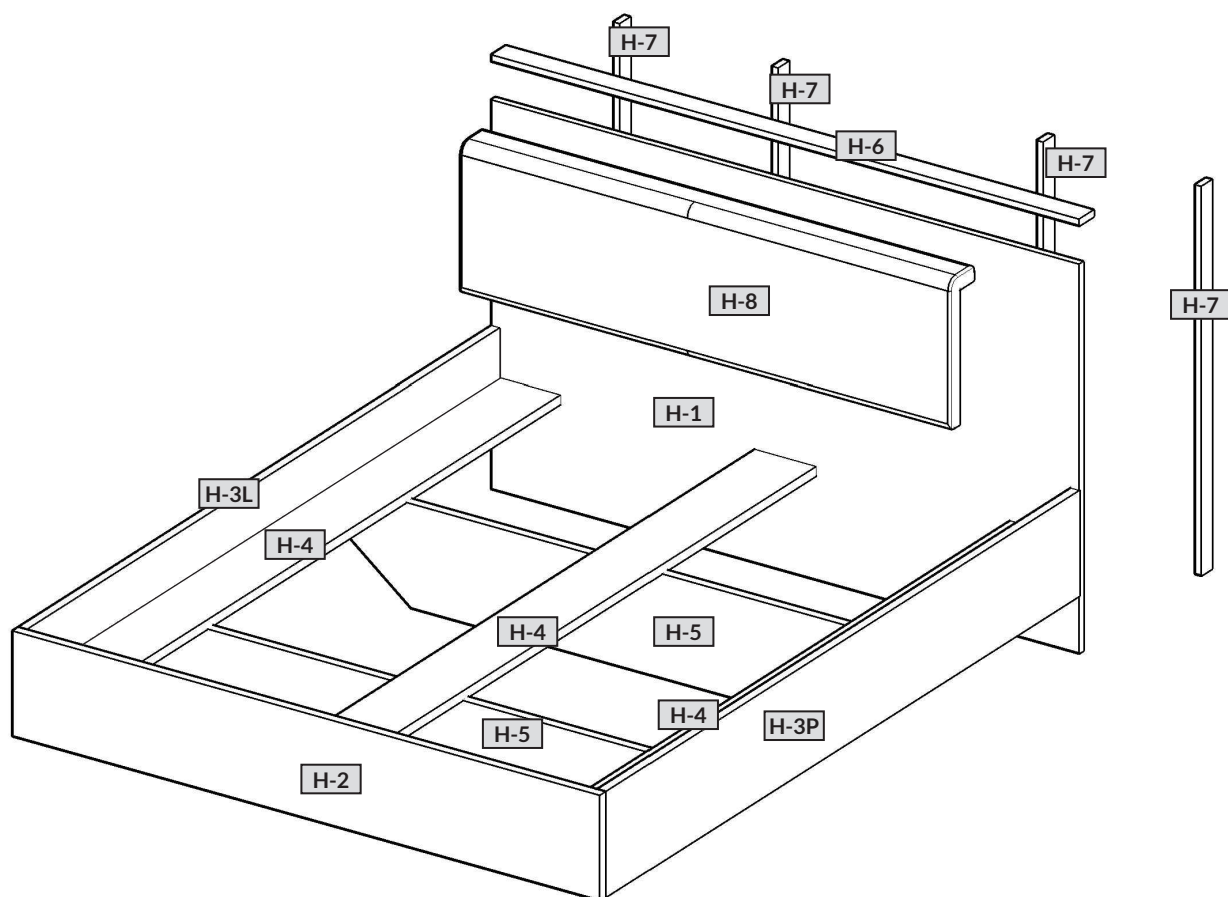


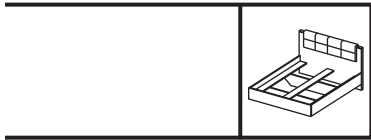
A 7 x 50 mm x 18	B 8 x 32 mm x 32	E5 4 x 16 mm x 24	EM3 6 x 35 mm x 6	G2 x 8	R H=11 mm x 18
R1 H=15 mm x 8	RR A x 4	RR B 6 x 55 x 4	U L=24,3 mm x 26	W9 x 3	XA x 1



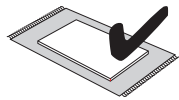
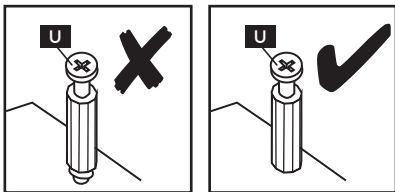
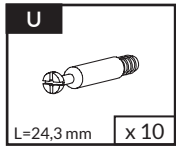
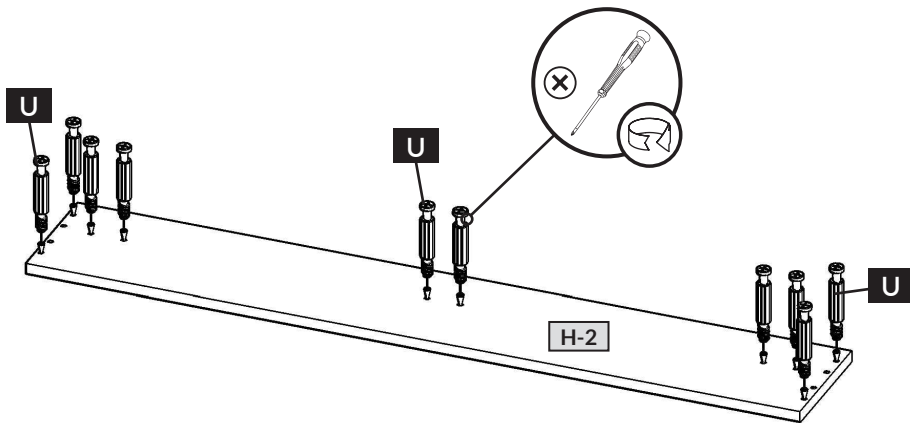


nr	↔ [mm]	↕ [mm]	∅ [mm]	Menge	Colli
H-1	1644	1000	16	x1	1/2
H-2	1644	270	22	x1	1/2
H-3L	2000	270	22	x1	2/2
H-3P	2000	270	22	x1	2/2
H-4	2000	170	15	x3	2/2
H-5	1600	268	16	x2	1/2
H-6	1644	60	16	x1	2/2
H-7	1000	44	16	x4	2/2
H-8	1370	310	90	x1	2/2

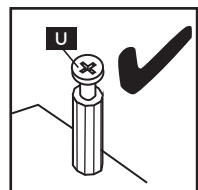
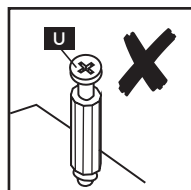
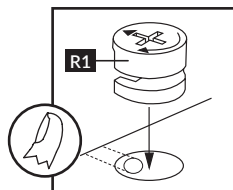
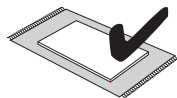
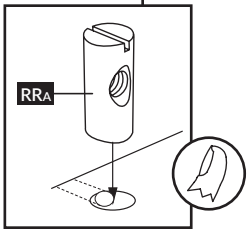
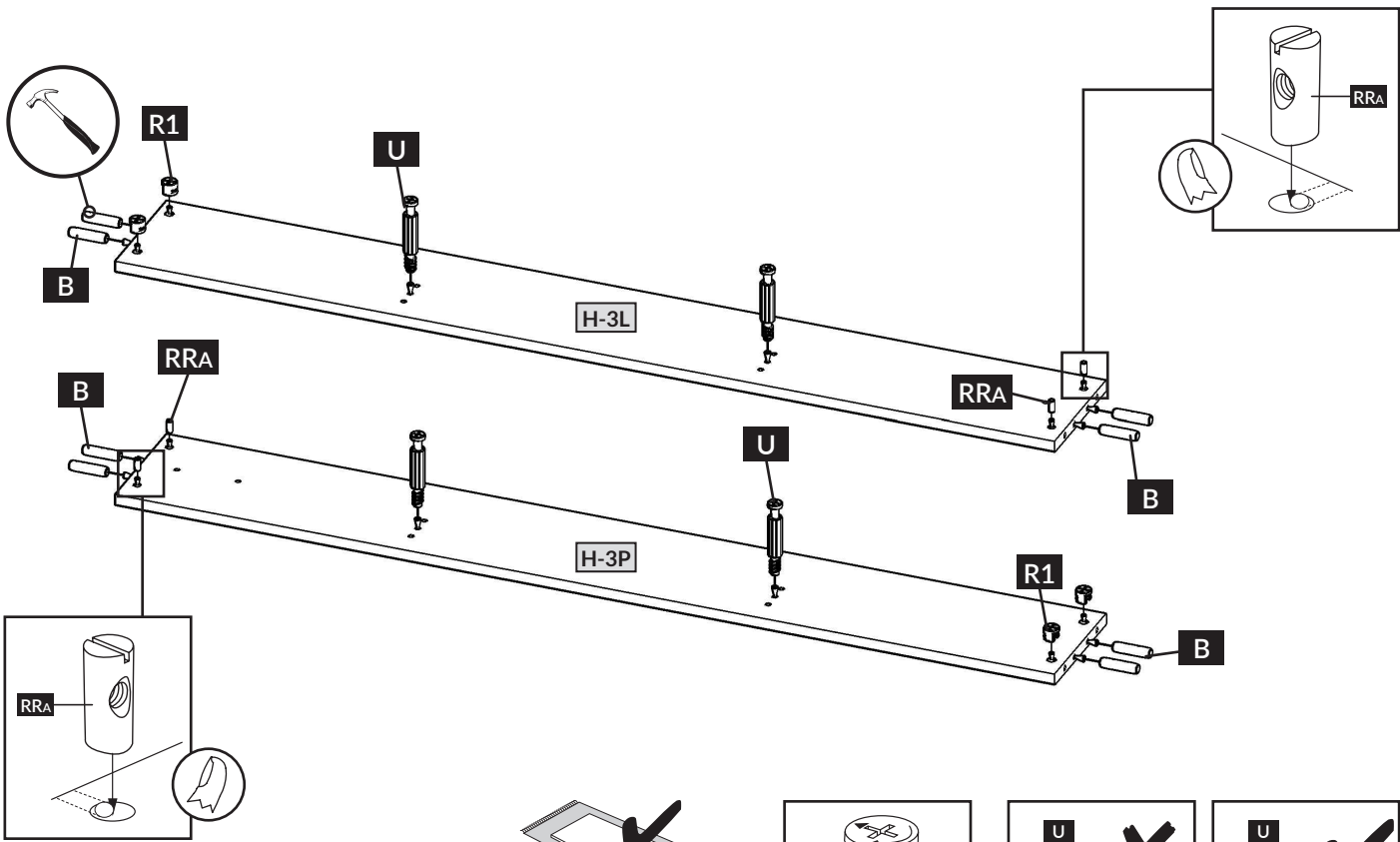
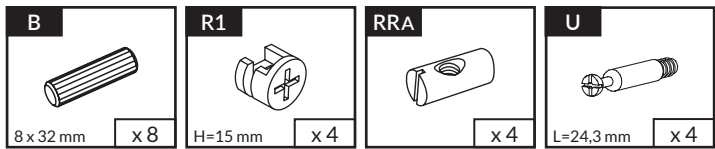


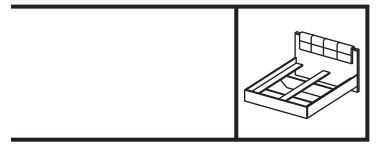


1

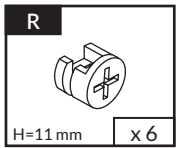


2

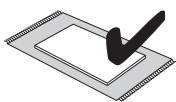
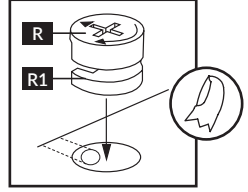
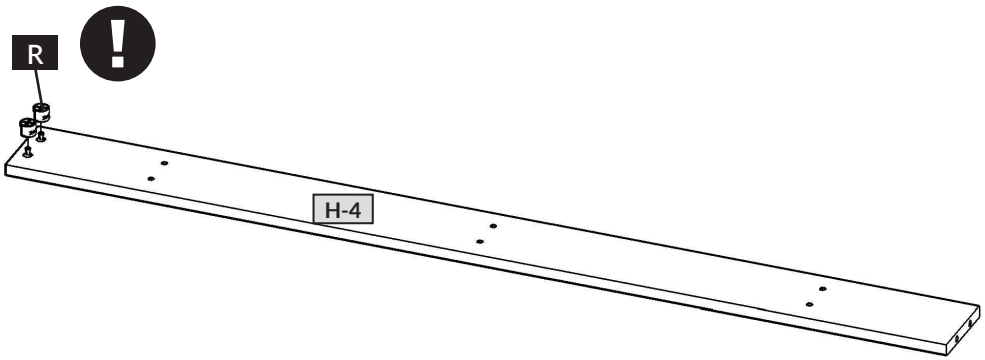




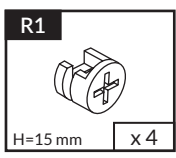
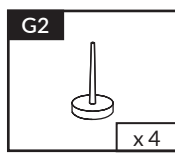
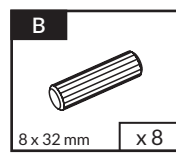
3



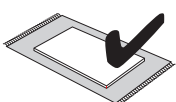
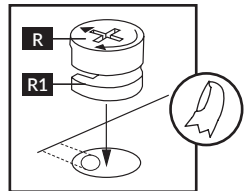
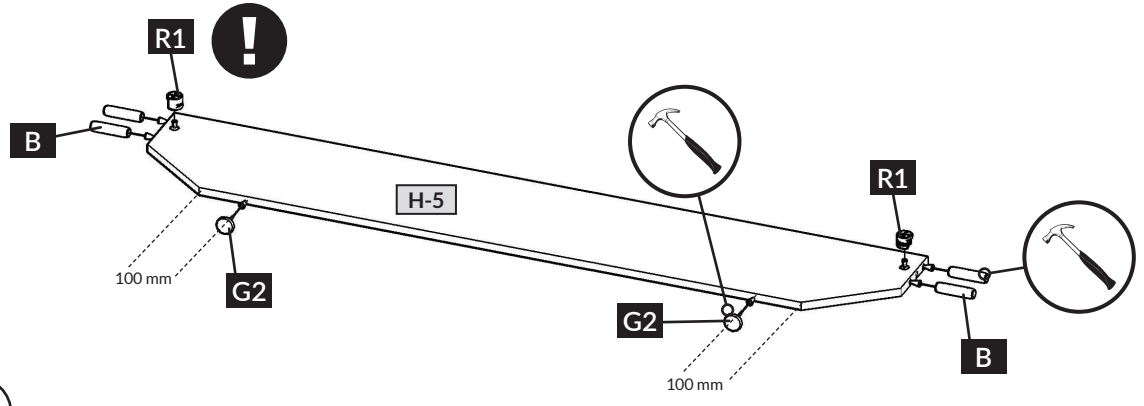
3x



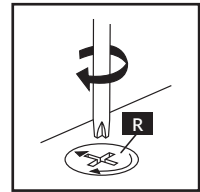
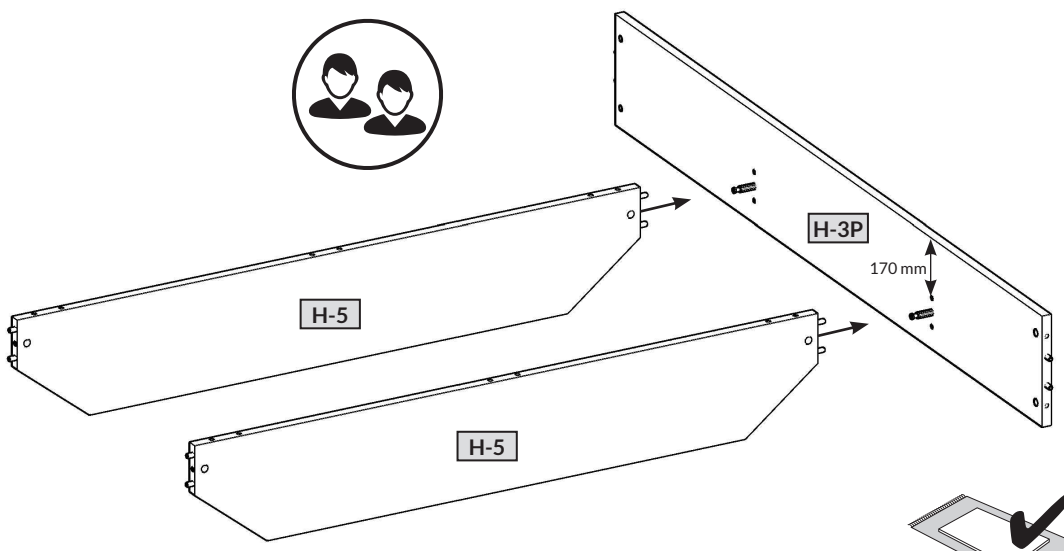
4

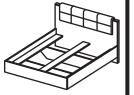


2x

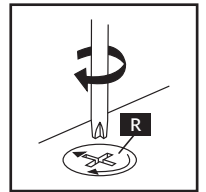
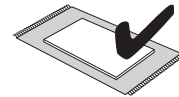
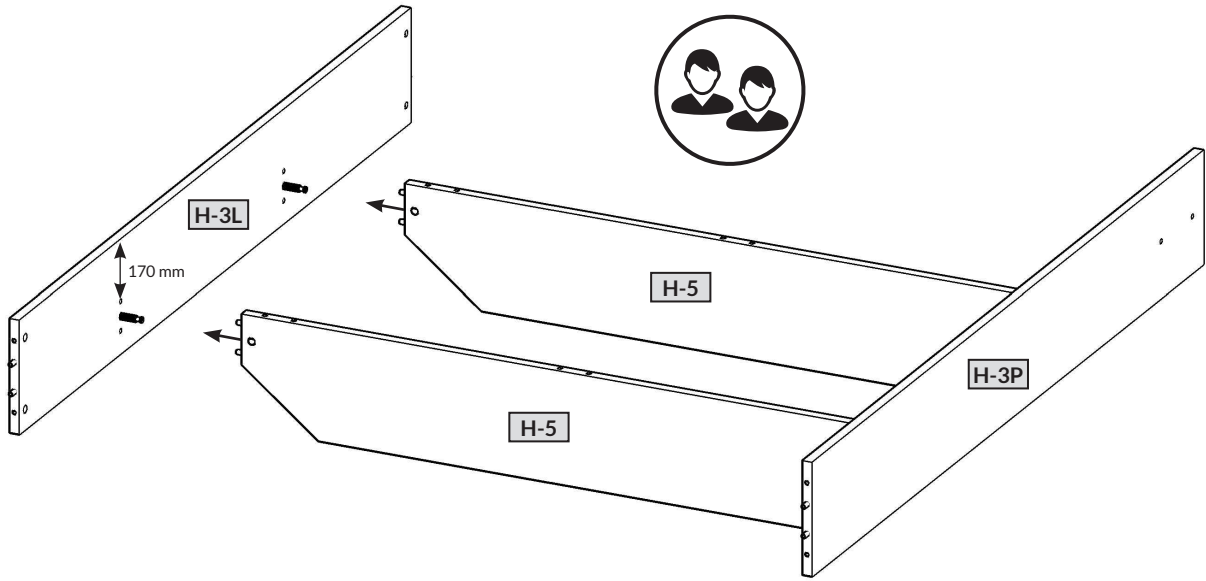


5

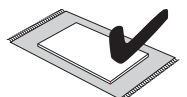
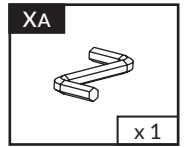
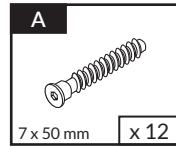
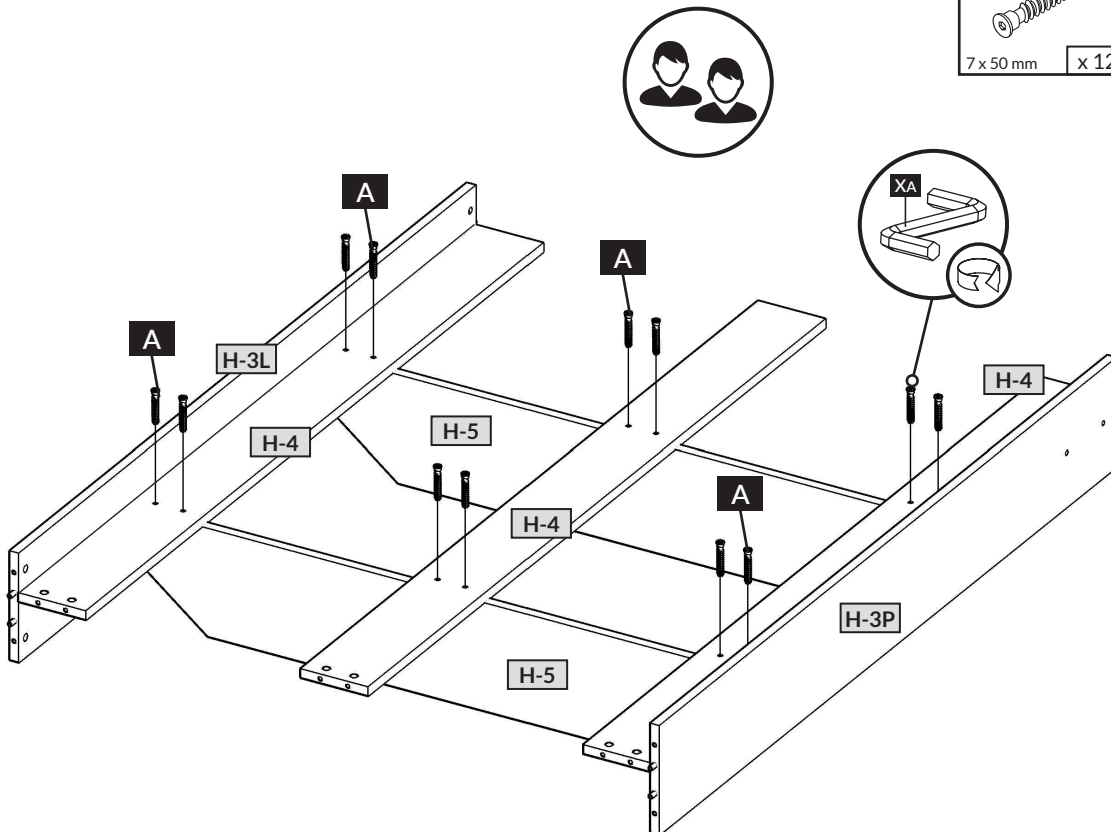


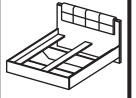


6

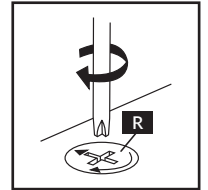
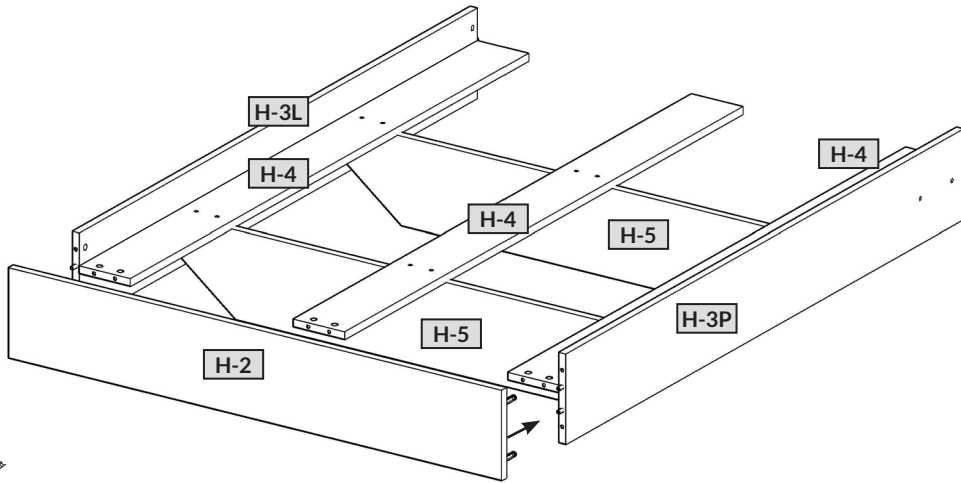


7

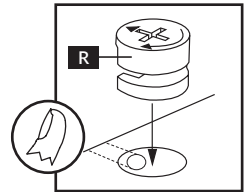
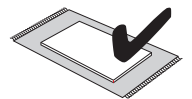
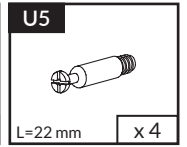
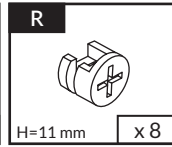
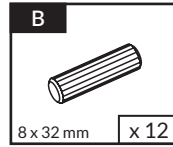
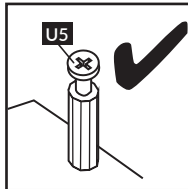
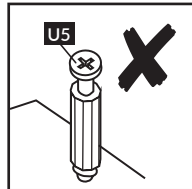
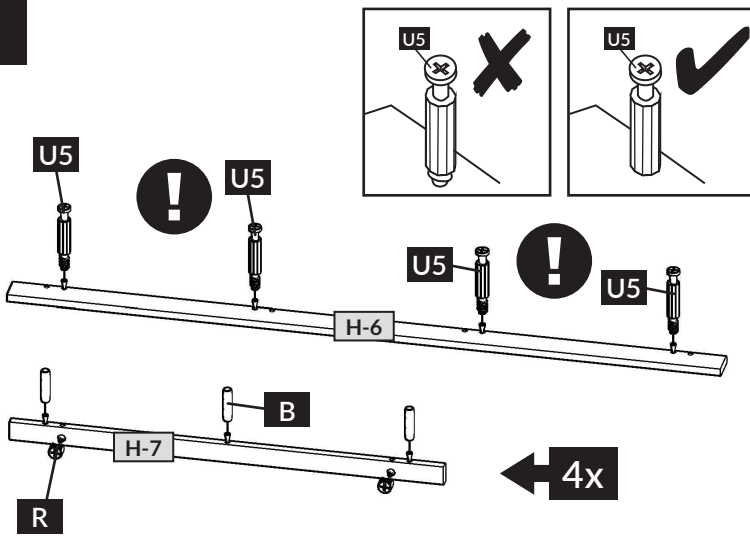




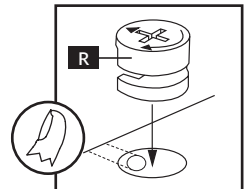
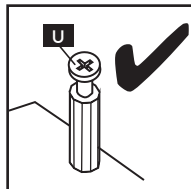
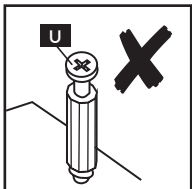
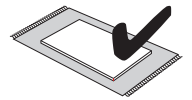
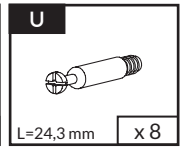
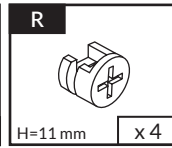
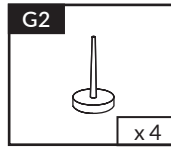
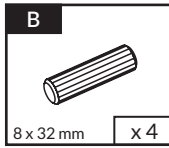
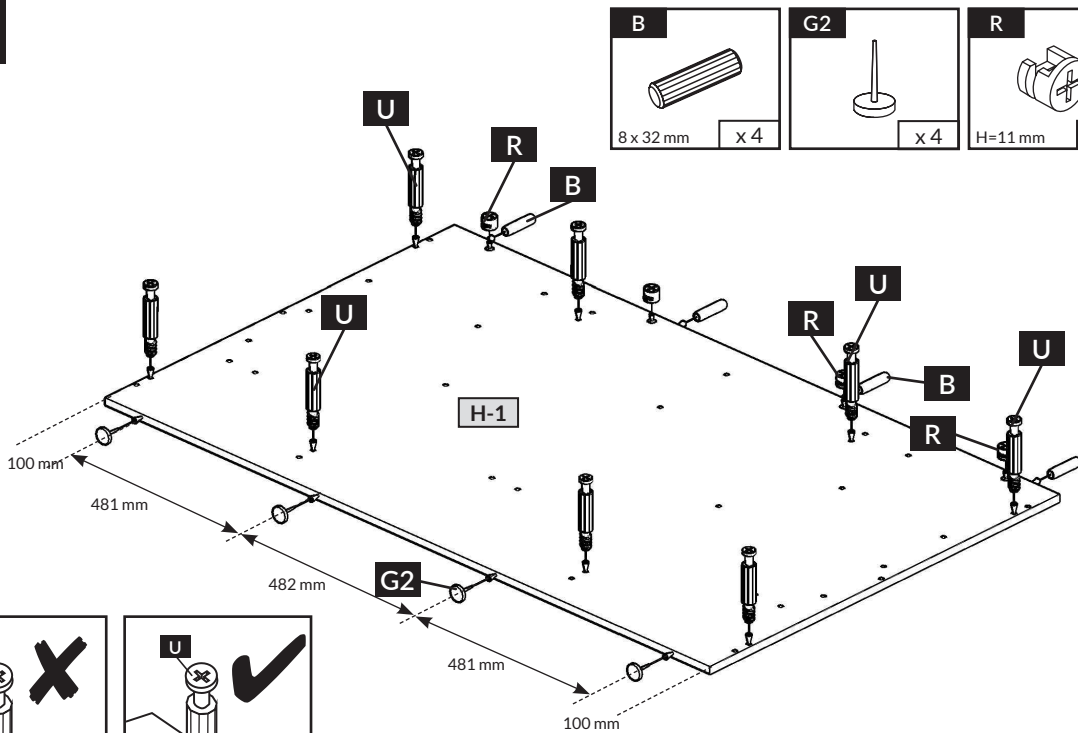
8



9

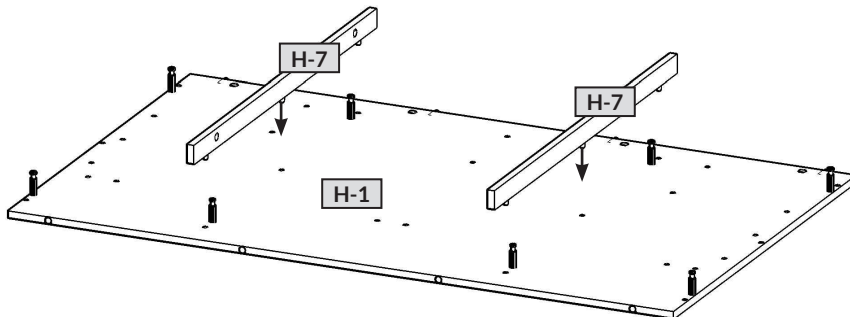
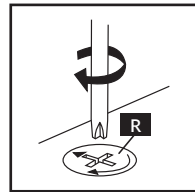
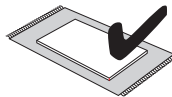


10

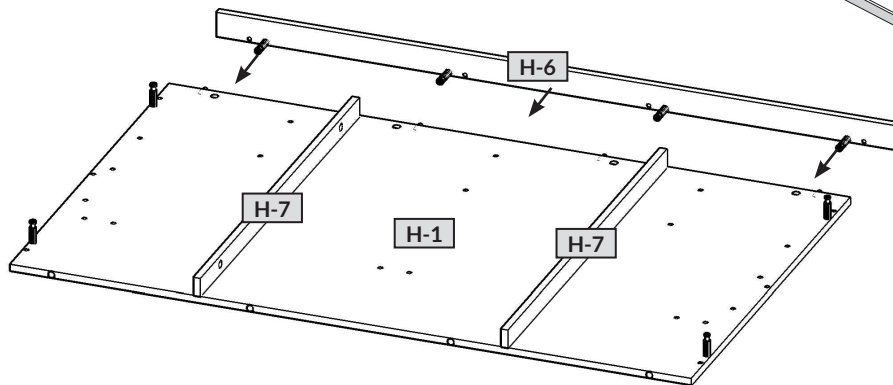
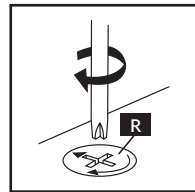
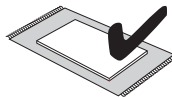




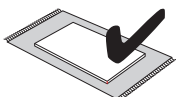
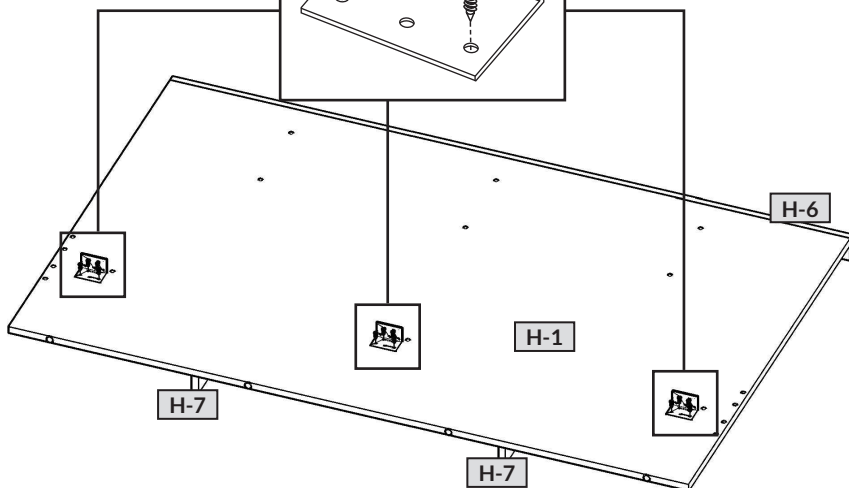
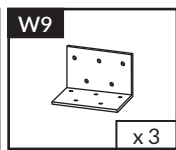
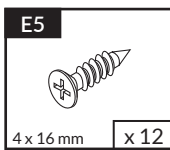
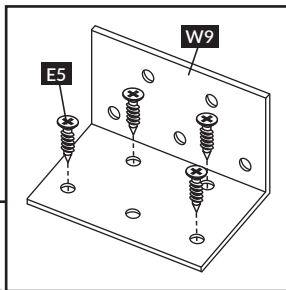
11

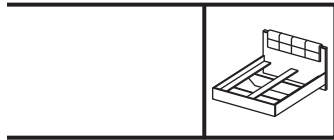


12

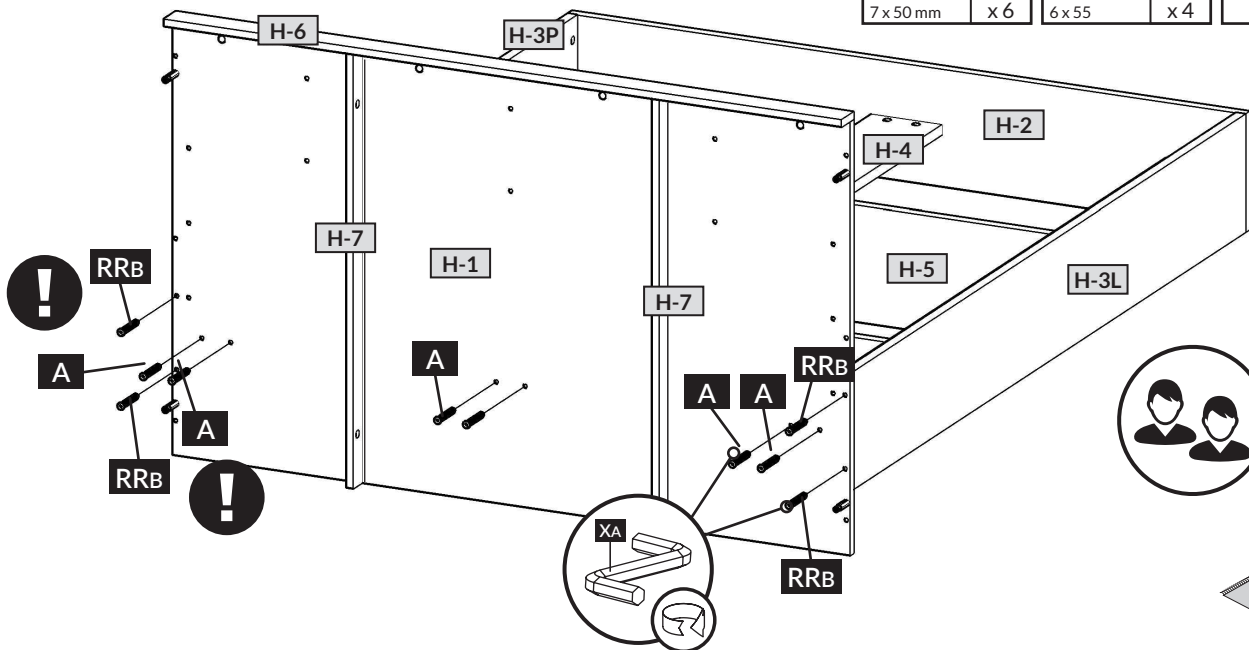
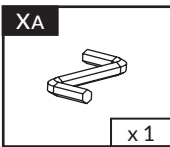
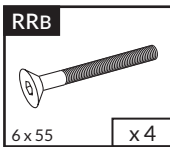
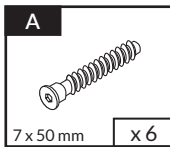


13

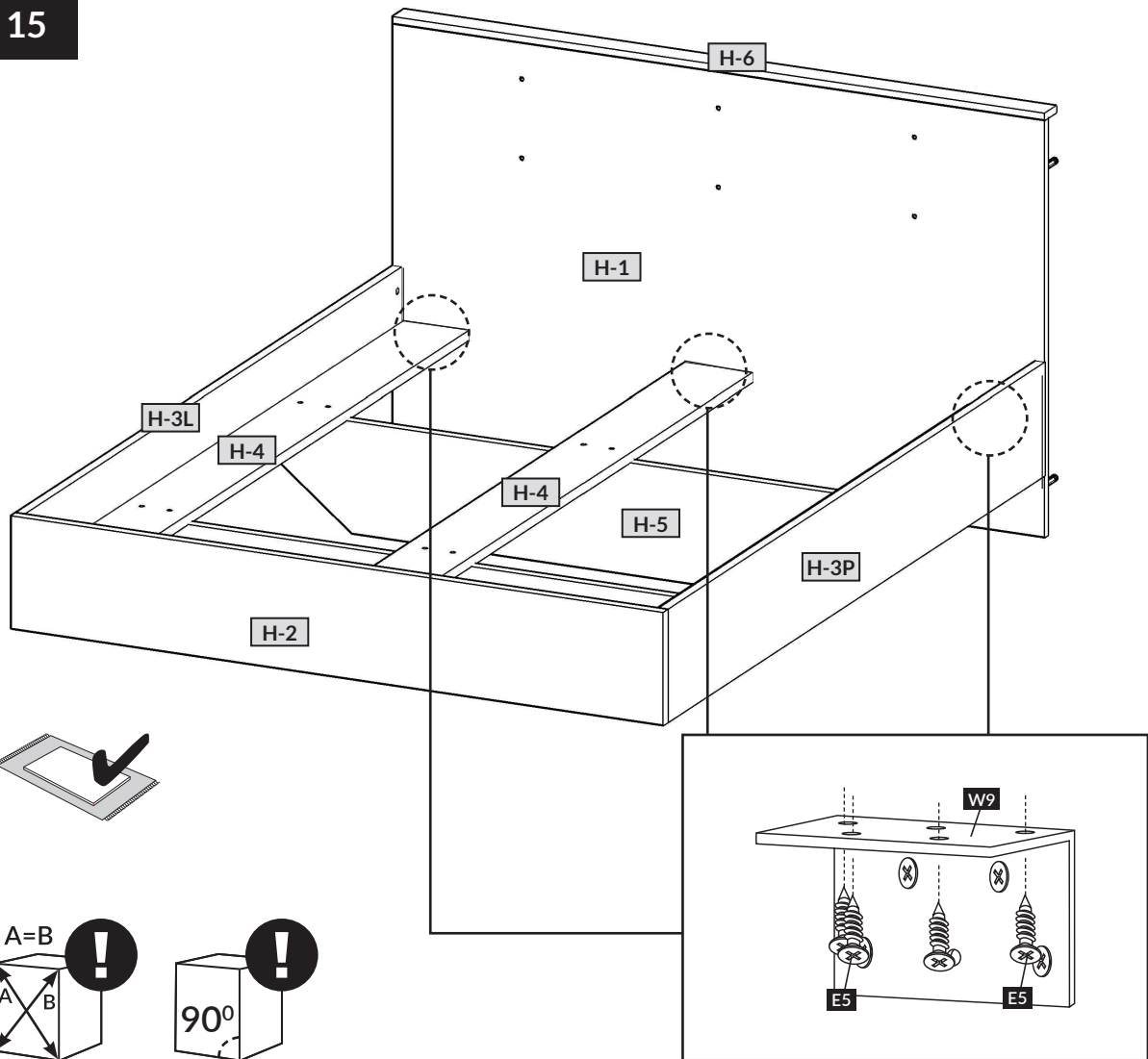
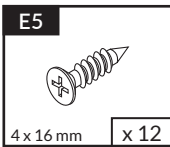




14

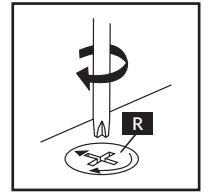
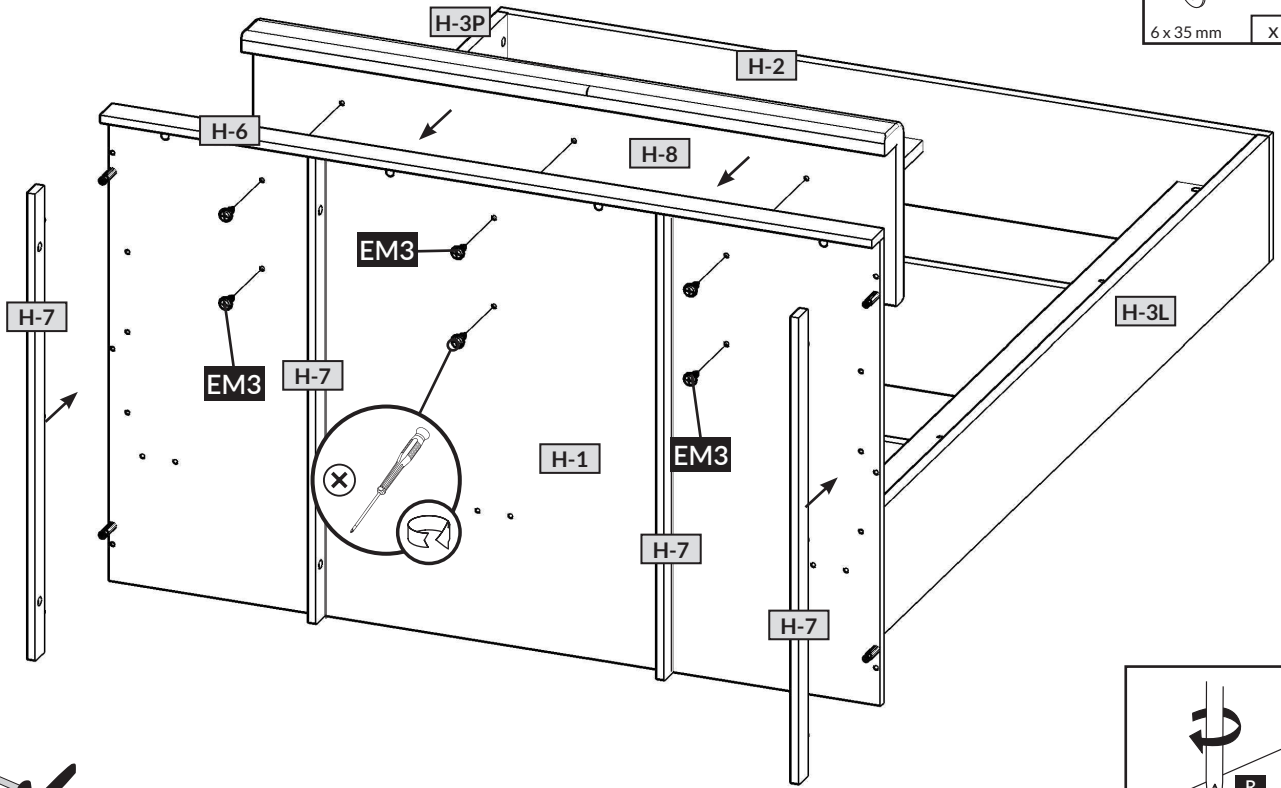
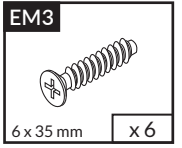


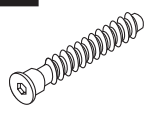
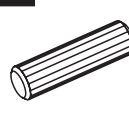

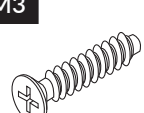


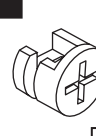
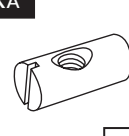
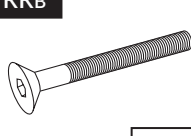
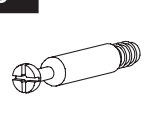
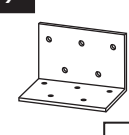
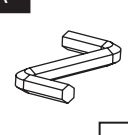
15

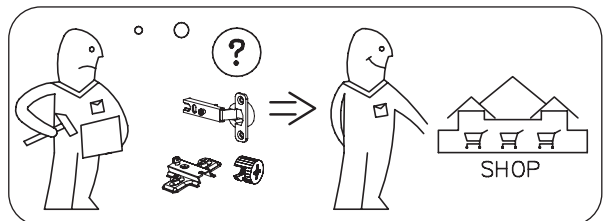
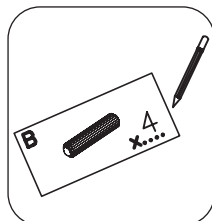




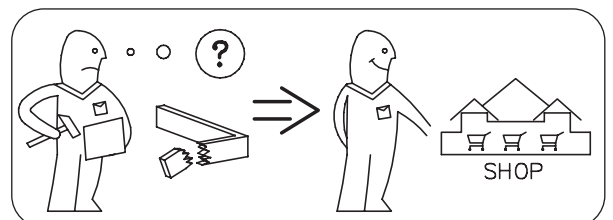
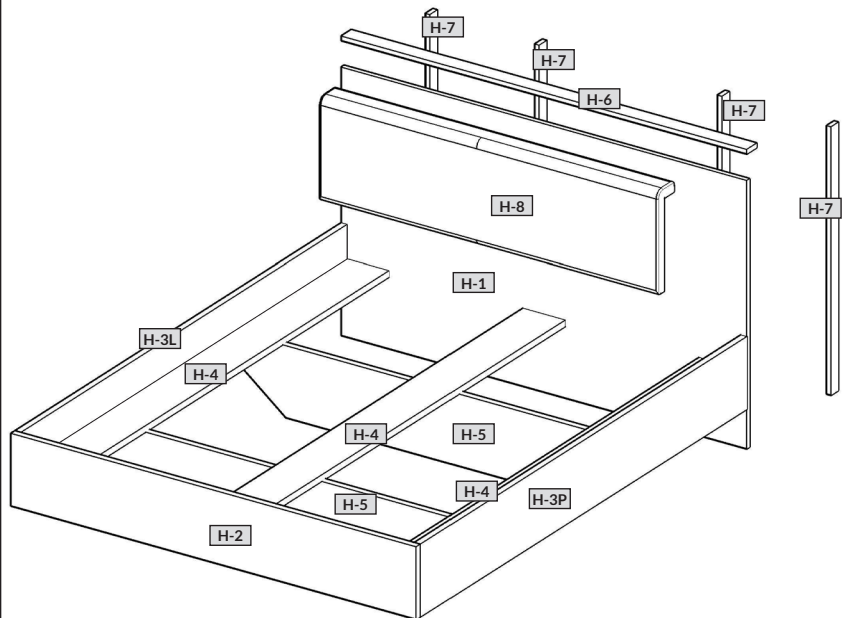
16

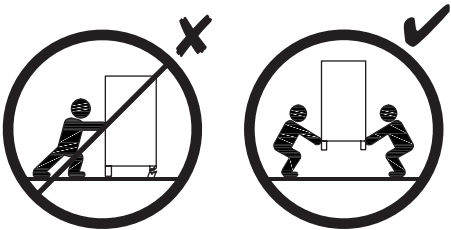
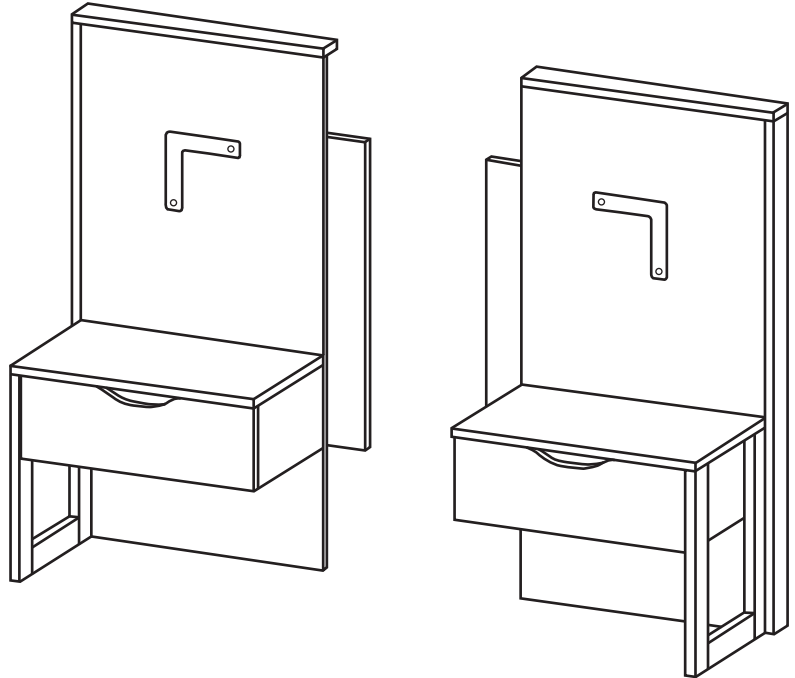


<p>A</p>  <p>7 x 50 mm X ...</p>	<p>B</p>  <p>8 x 32 mm X ...</p>	<p>E5</p>  <p>4 x 16 mm X ...</p>
<p>EM3</p>  <p>6 x 35 mm X ...</p>	<p>G2</p>  <p> X ...</p>	<p>R</p>  <p>H=11 mm X ...</p>
<p>R1</p>  <p>H=15 mm X ...</p>	<p>RRA</p>  <p> X ...</p>	<p>RRB</p>  <p>6 x 55 X ...</p>
<p>U</p>  <p>L=24,3 mm X ...</p>	<p>W9</p>  <p> X ...</p>	<p>XA</p>  <p> X ...</p>

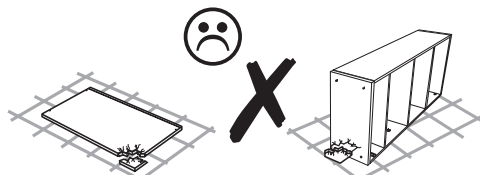
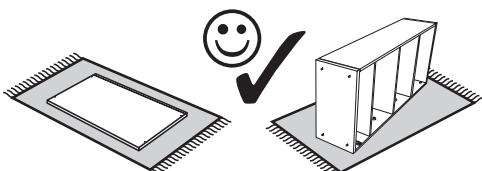
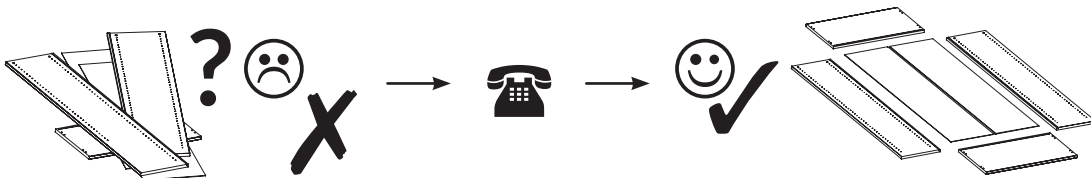
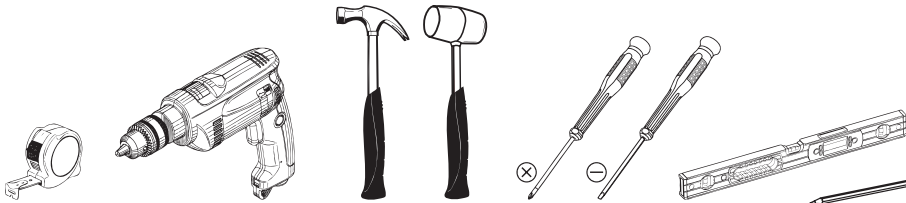


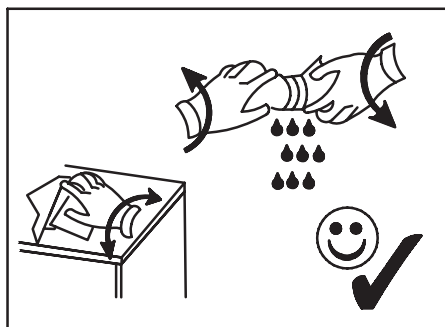
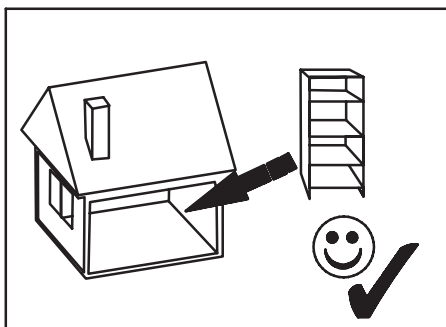
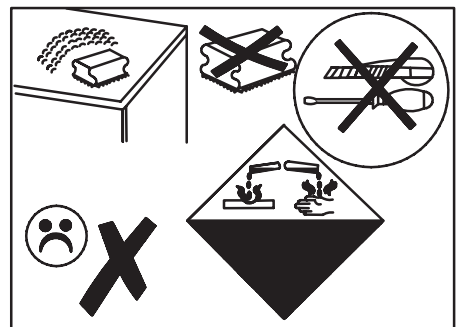
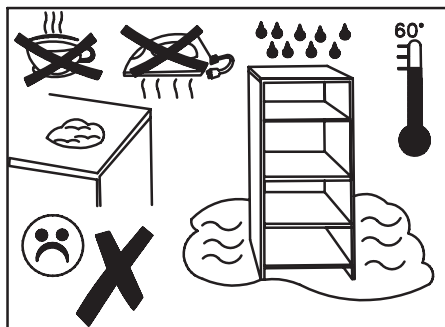
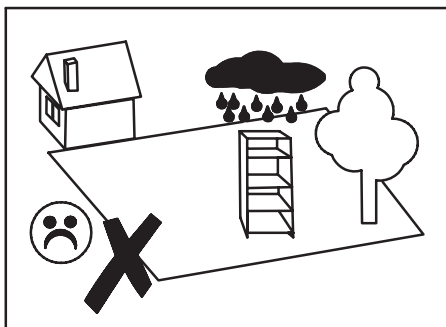
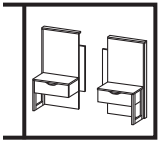
nr	↔ [mm]	↓ [mm]	↗ [mm]	Menge	Colli
H-1	1644	1000	16	x 1	1/2
H-2	1644	270	22	x 1	1/2
H-3L	2000	270	22	x 1	2/2
H-3P	2000	270	22	x 1	2/2
H-4	2000	170	15	x 3	2/2
H-5	1600	268	16	x 2	1/2
H-6	1644	60	16	x 1	2/2
H-7	1000	44	16	x 4	2/2
H-8	1370	310	90	x 1	2/2

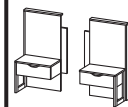


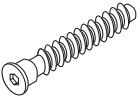

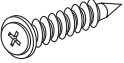

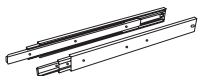
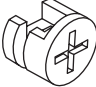

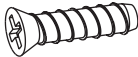
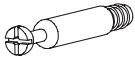
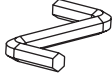

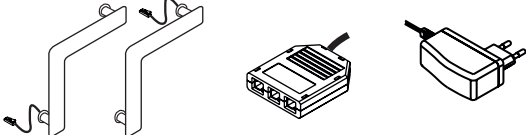


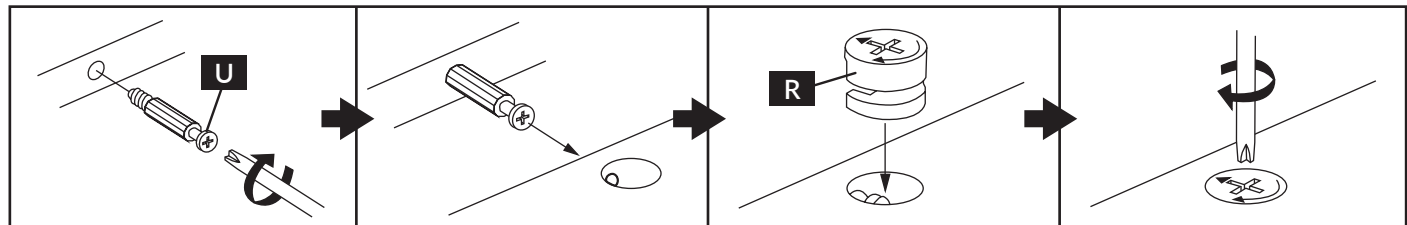
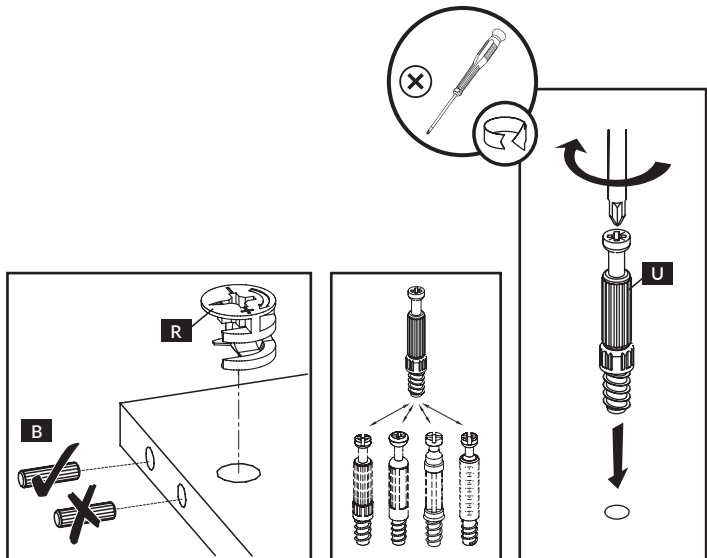
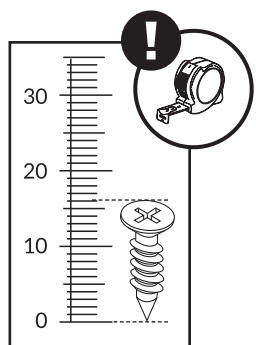
2023-09-06

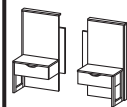




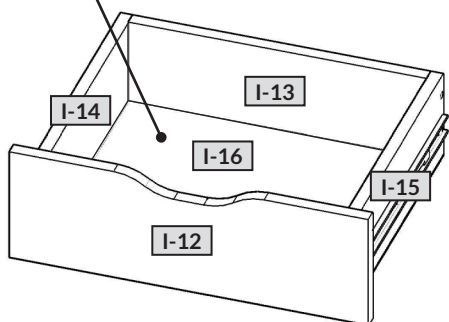
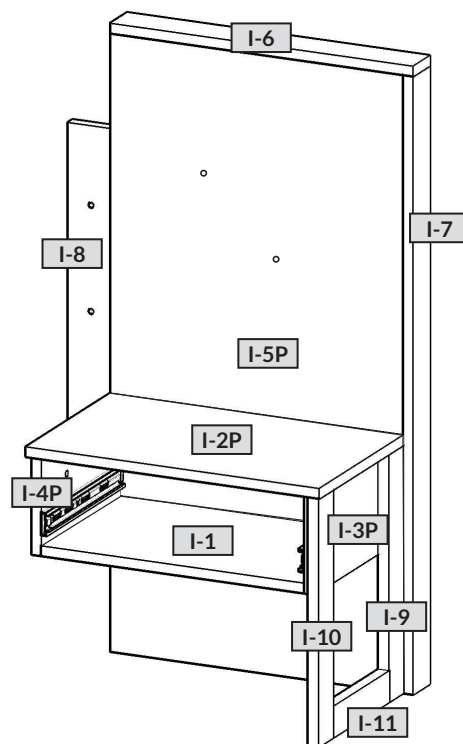
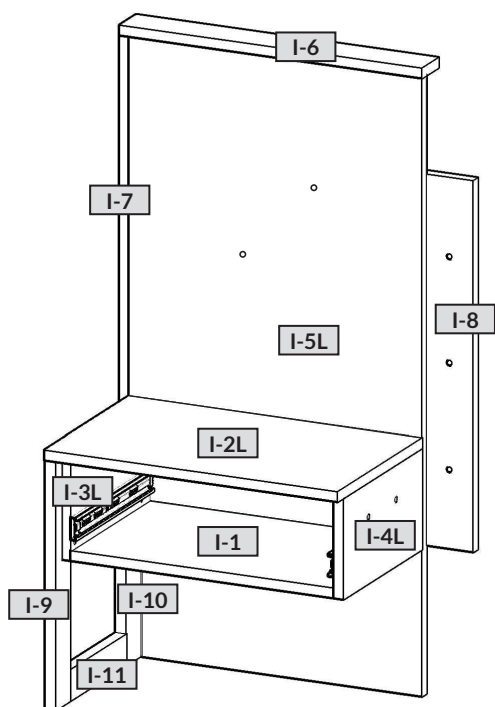


A  7 x 50 mm x 16	B  8 x 32 mm x 38	EP2  4 x 20 mm x 18	G2  x 8	K6  L=250 mm x 2	R  H=11 mm x 20
T3  5 x 9 mm x 16	T4  6,3 x 24 mm x 20	U  L=24,3 mm x 20	XA  x 1	ZR  Ø 15 x 4	LED  x 1

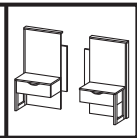




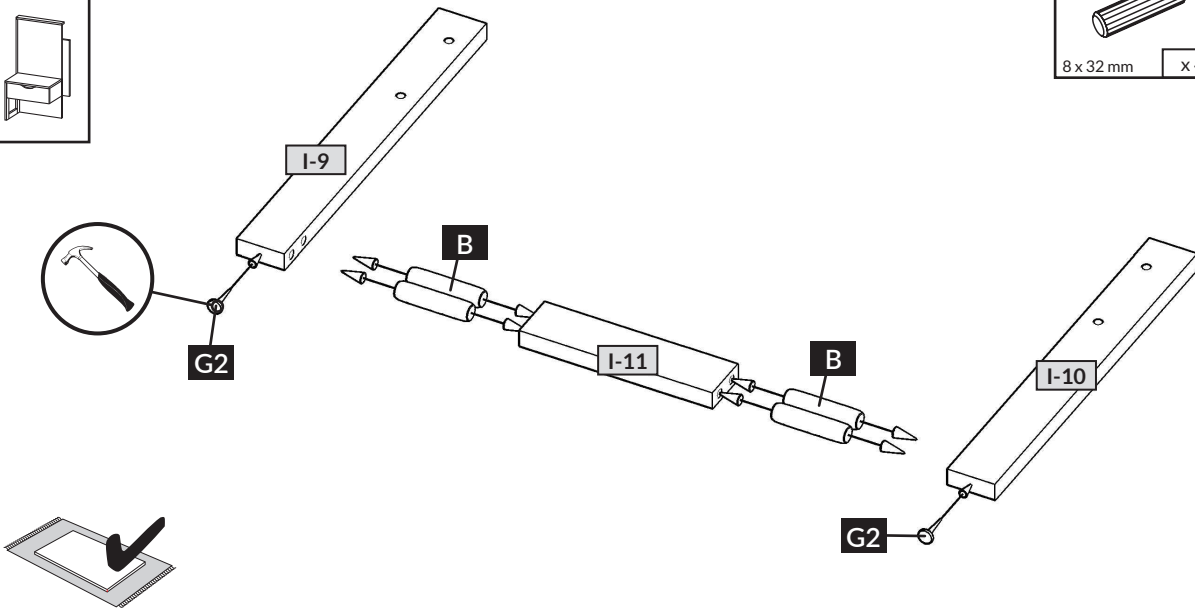
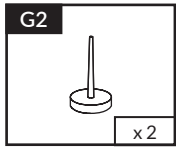
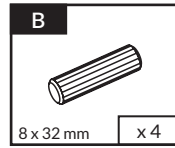
nr	↔ [mm]	↕ [mm]	∅ [mm]	Menge	Colli
I-1	449	284	16	x2	1/1
I-2 L/P	500	305	16	x2	1/1
I-3 L/P	164	284	16	x2	1/1
I-4 L/P	164	284	16	x2	1/1
I-5 L/P	500	1000	16	x2	1/1
I-6	516	60	16	x2	1/1
I-7	1000	60	16	x2	1/1
I-8	600	160	16	x2	1/1
I-9	394	50	15	x2	1/1
I-10	394	50	15	x2	1/1
I-11	204	50	15	x2	1/1
I-12	476	160	16	x2	1/1
I-13	393	100	16	x2	1/1
I-14	250	100	16	x2	1/1
I-15	250	100	16	x2	1/1
I-16	424	256	3	x2	1/1



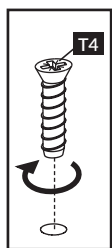
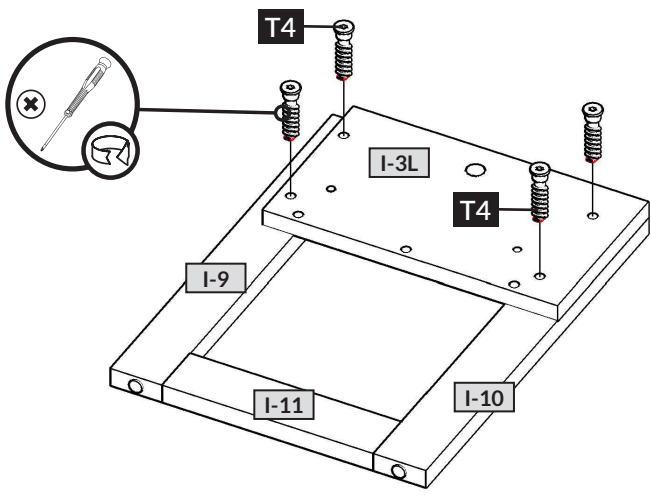
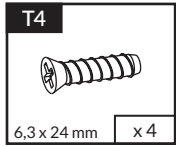
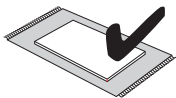
← 2x



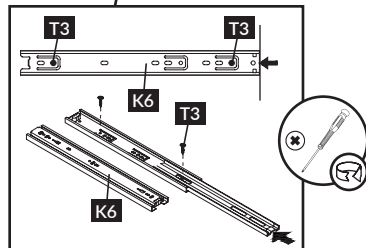
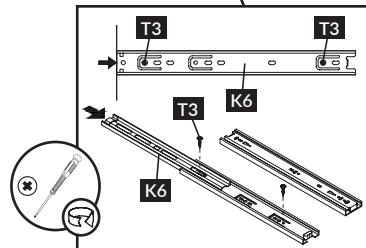
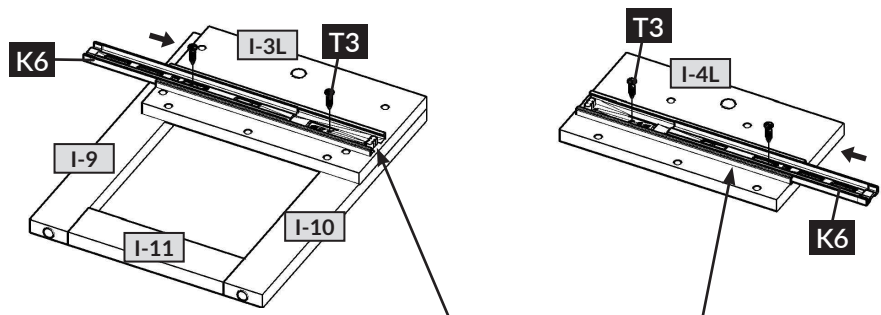
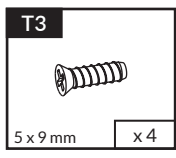
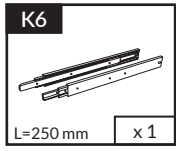
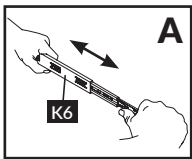
1

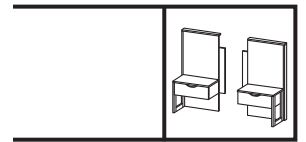


2



3





4

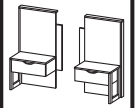
B 8x32 mm x4
R H=11 mm x2
U L=24,3 mm x2

5

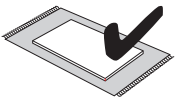
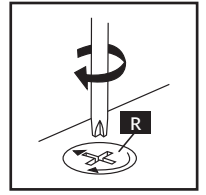
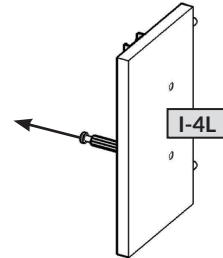
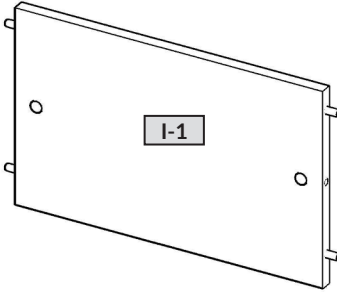
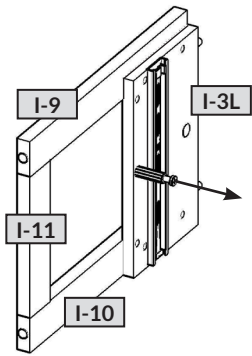
B 8x32 mm x4
R H=11 mm x2
U L=24,3 mm x2

6

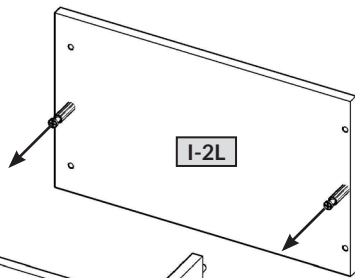
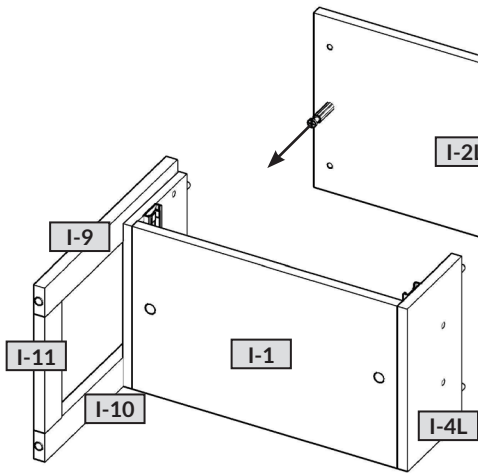
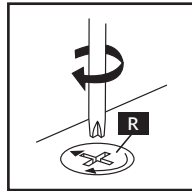
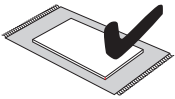
B 8x32 mm x5
G2 x2
R H=11 mm x4
U L=24,3 mm x4



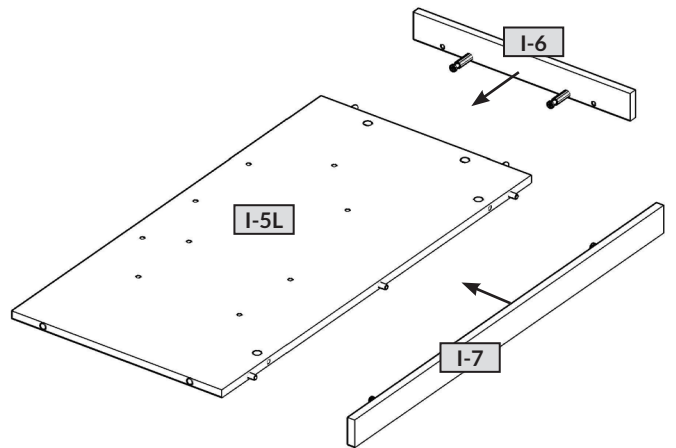
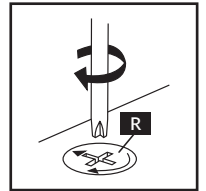
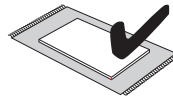
7



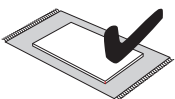
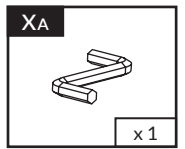
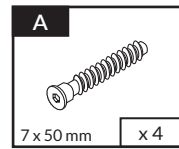
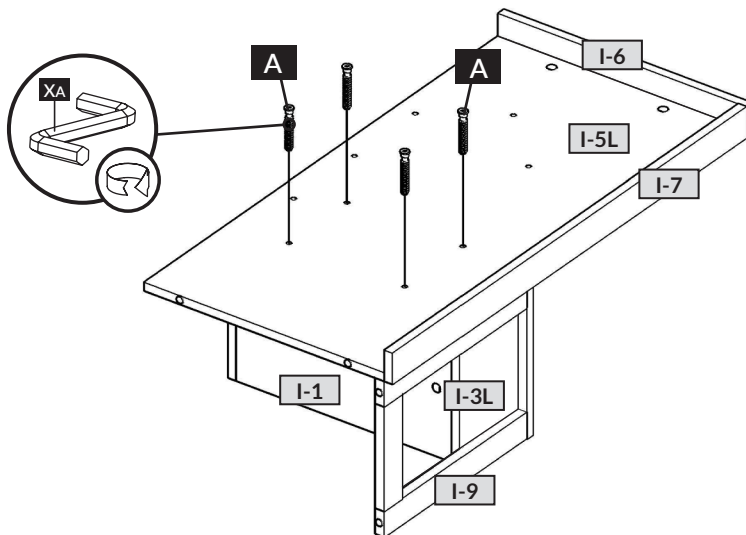
8

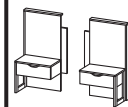


9

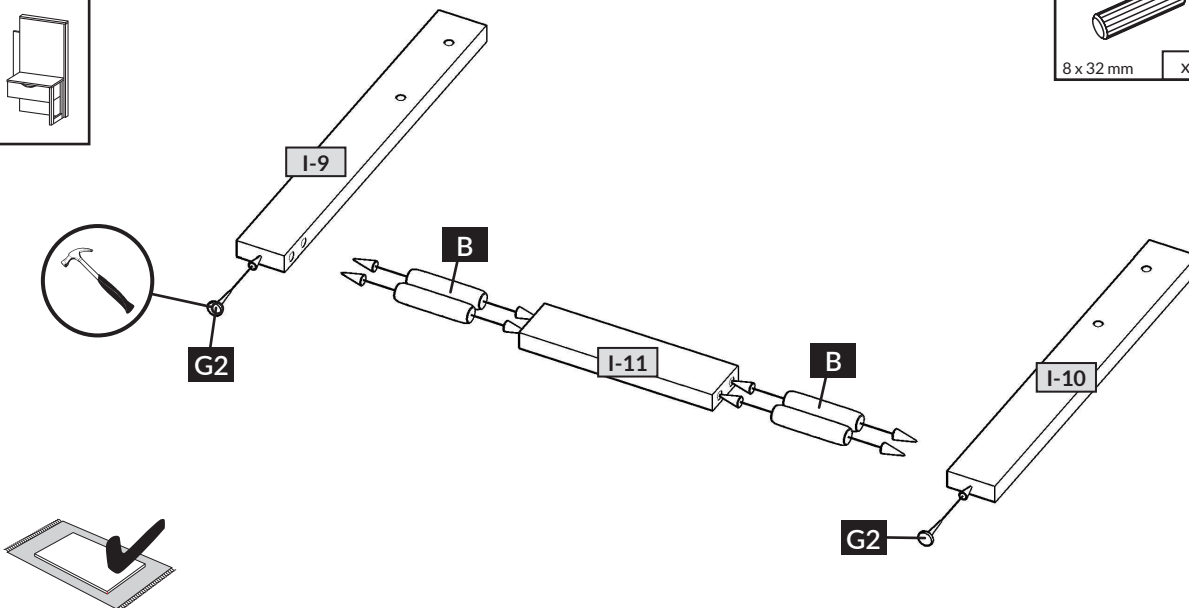
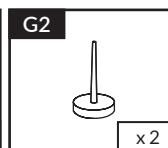
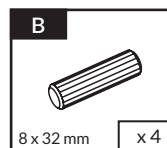
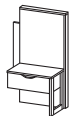


10

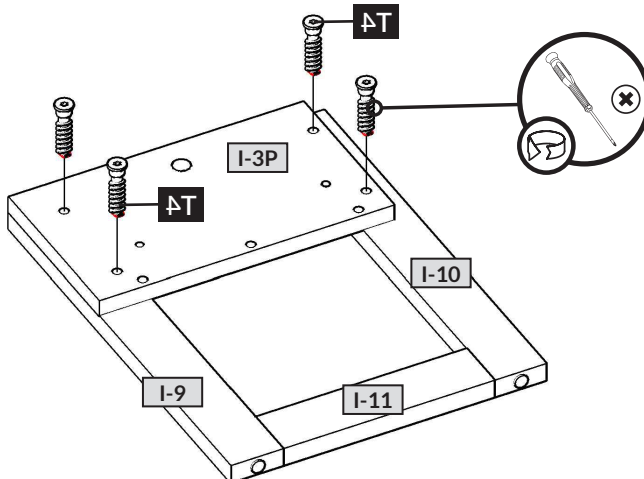
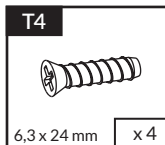
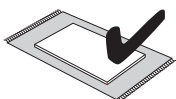




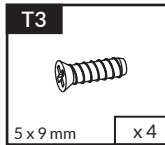
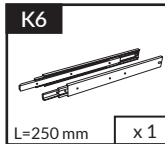
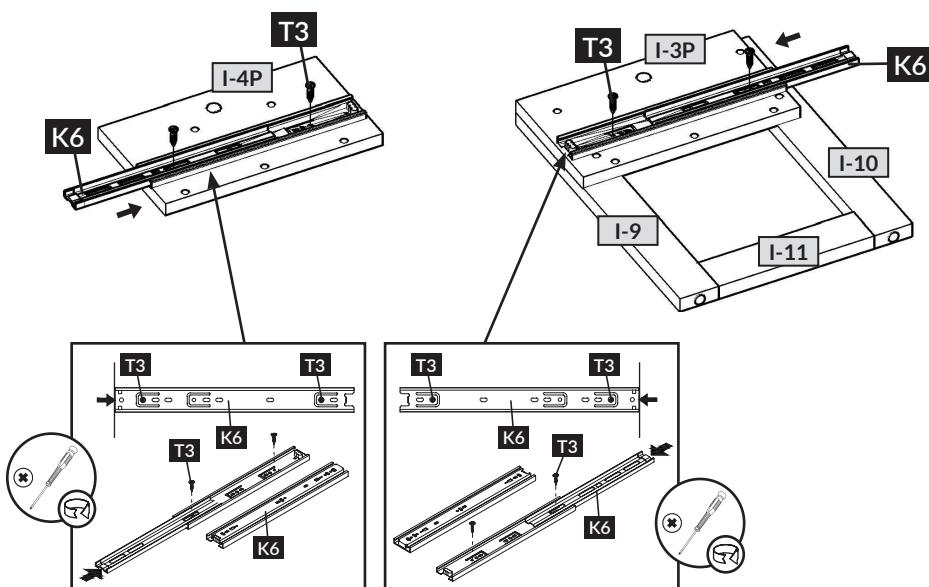
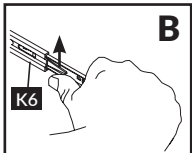
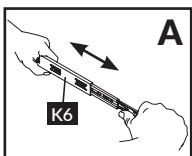
11

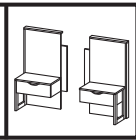


12

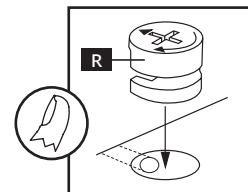
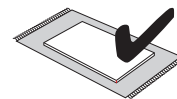
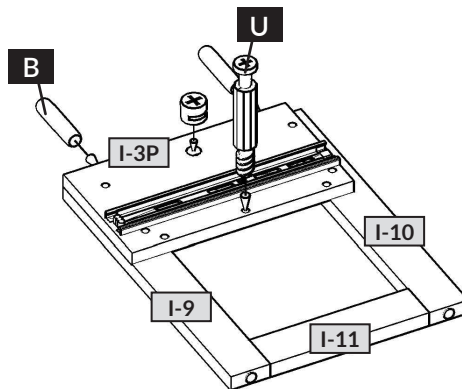
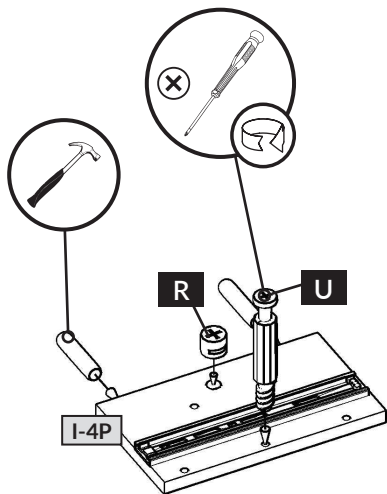
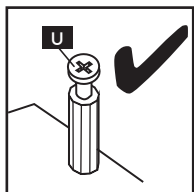
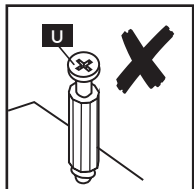
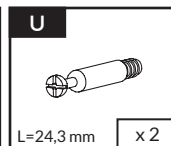
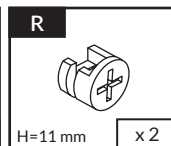
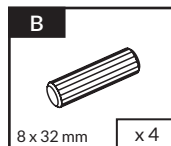


13

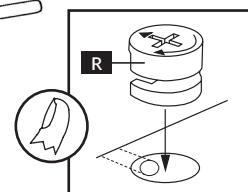
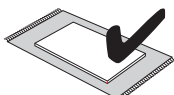
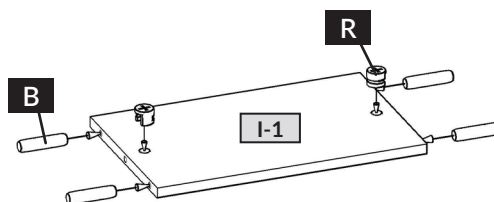
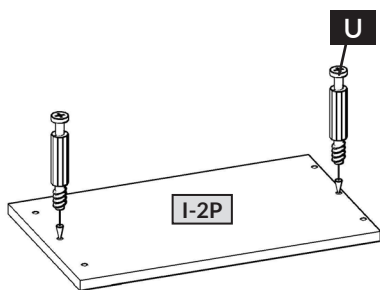
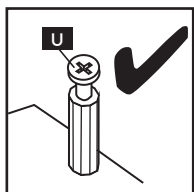
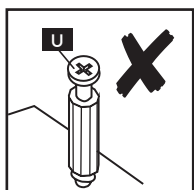
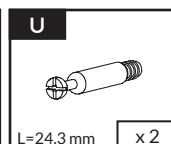
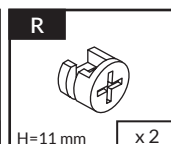
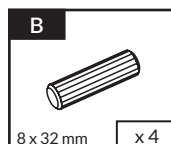




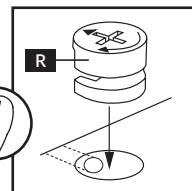
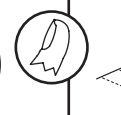
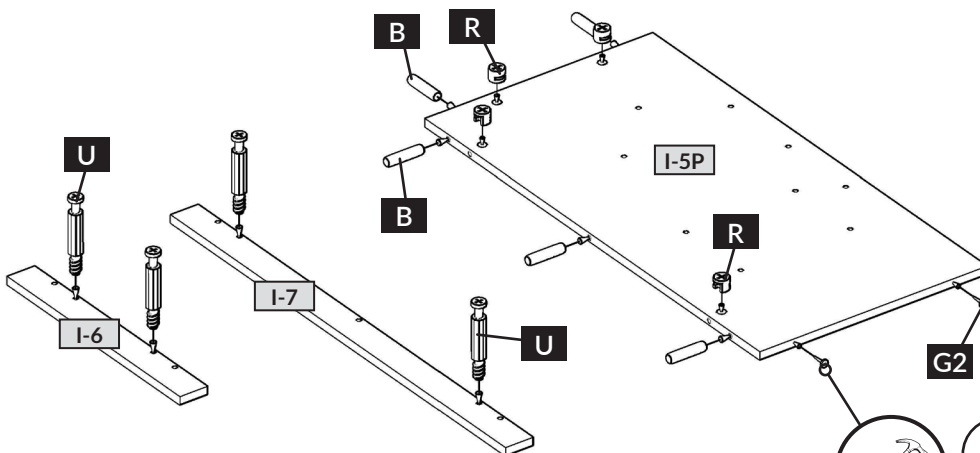
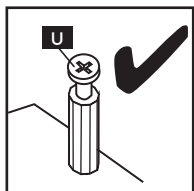
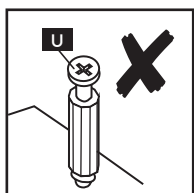
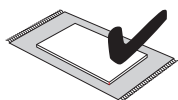
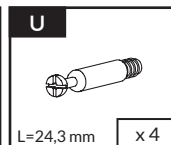
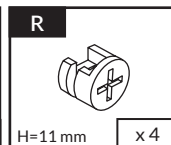
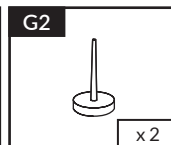
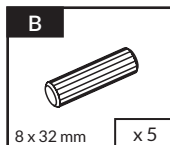
14

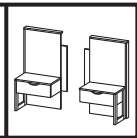


15

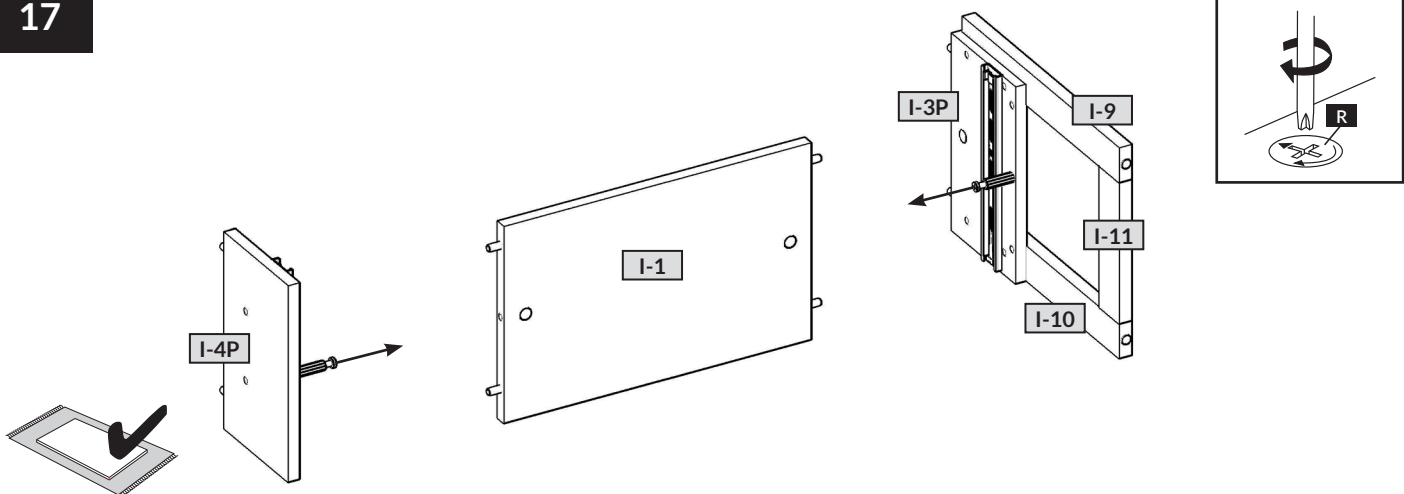


16

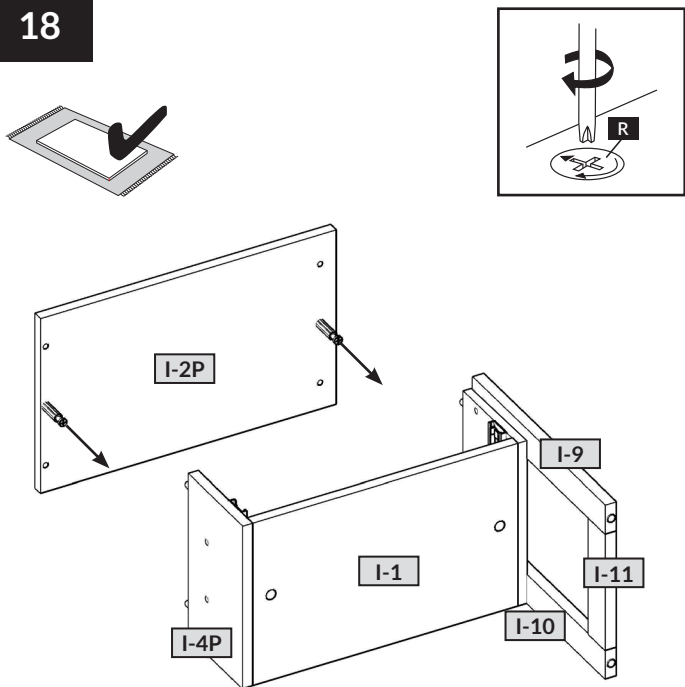




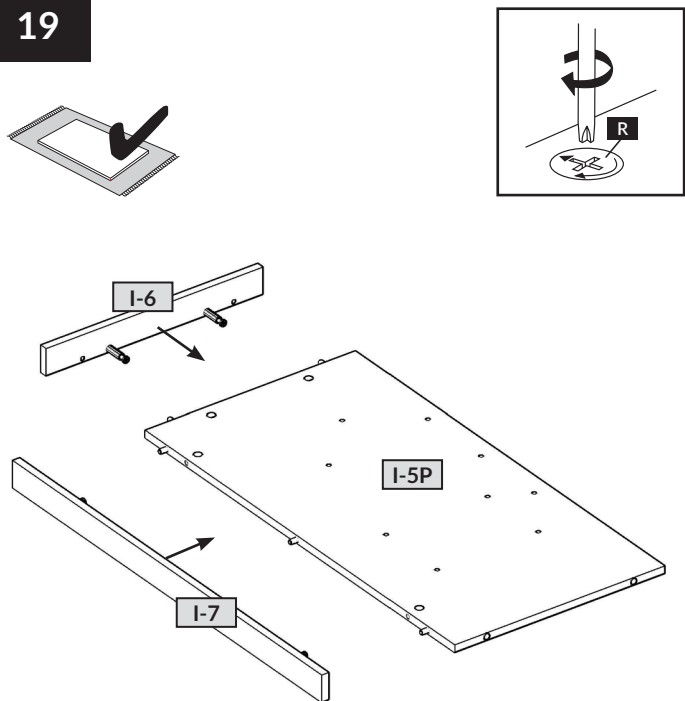
17



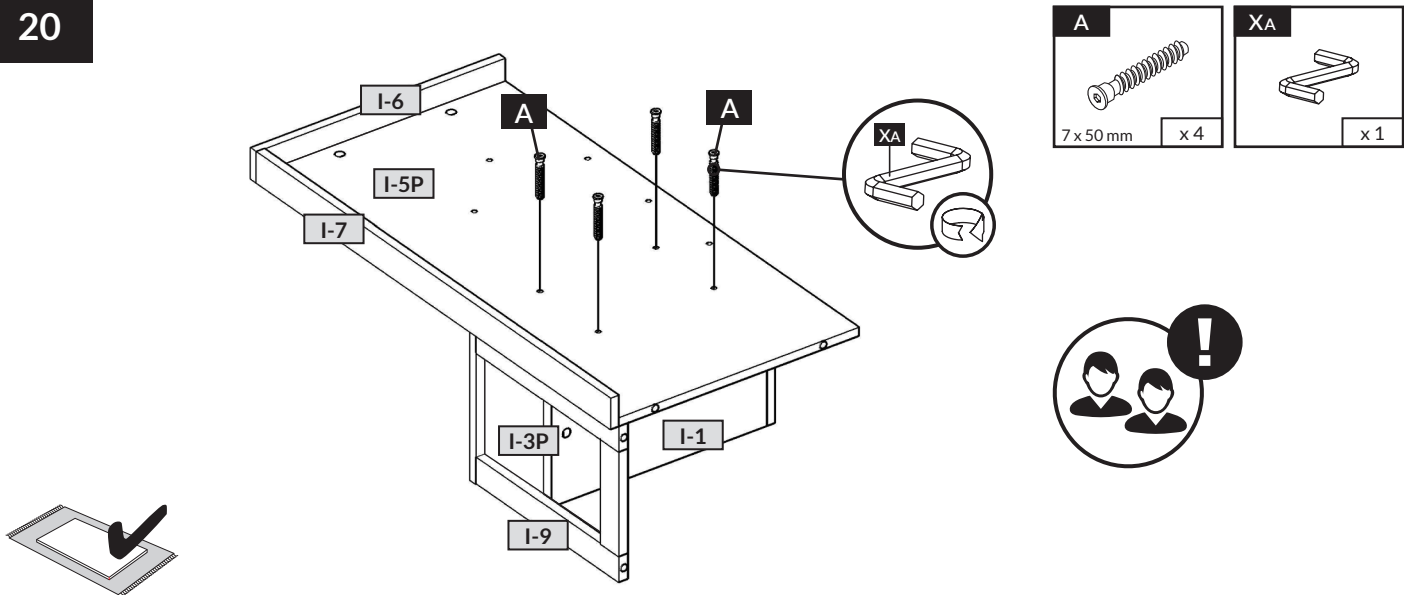
18

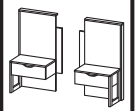


19

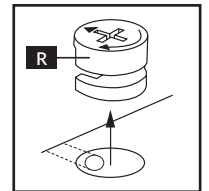
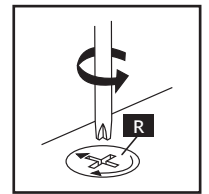
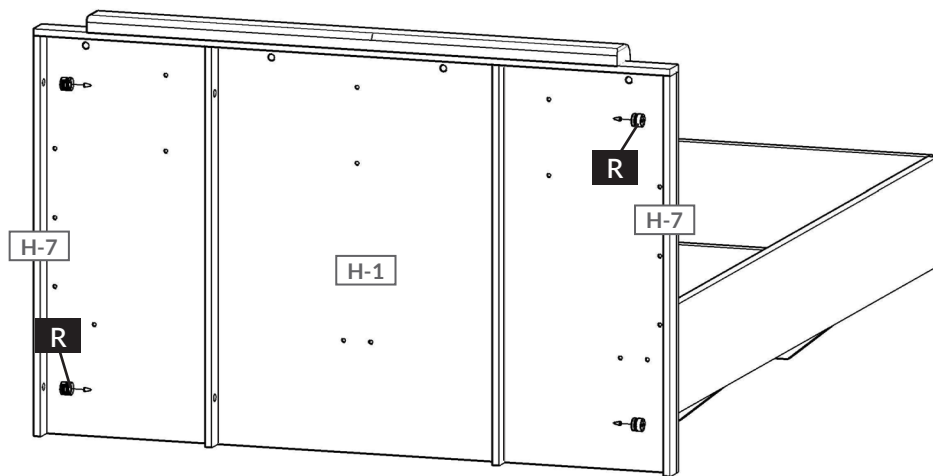


20

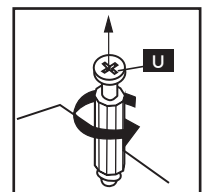
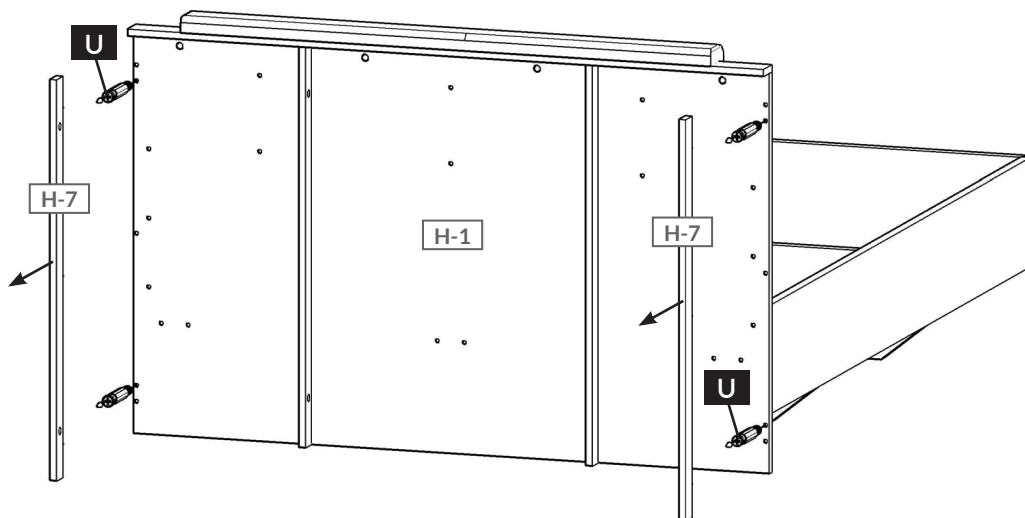




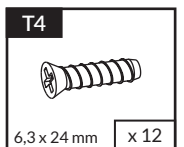
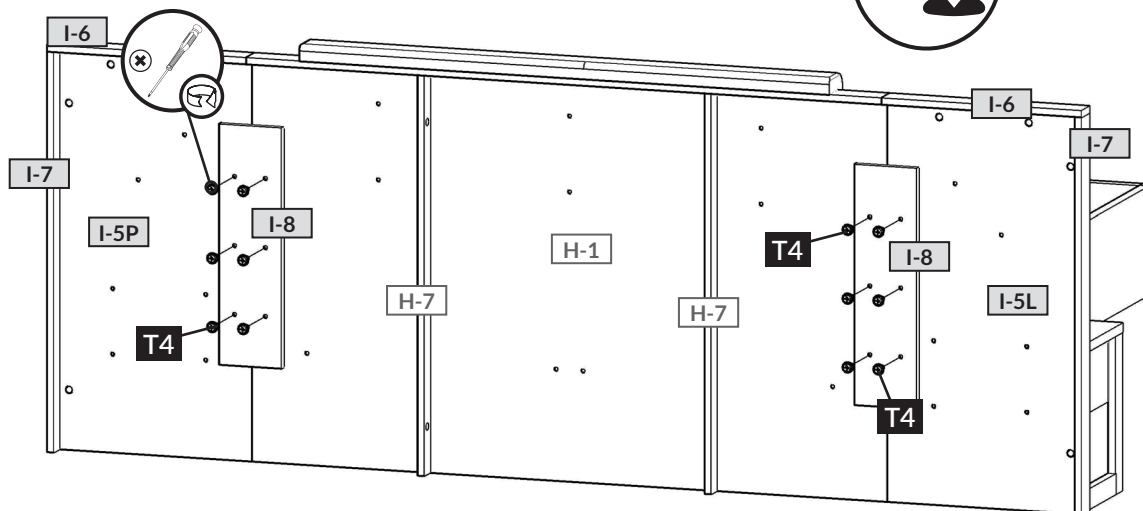
21

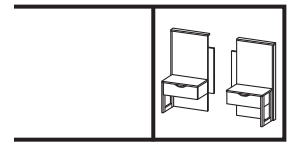


22

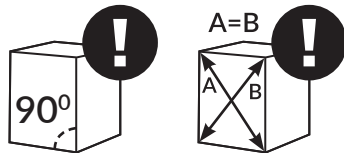
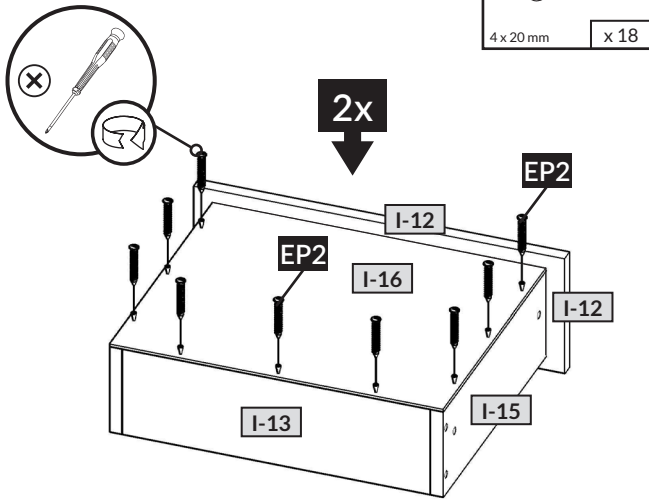
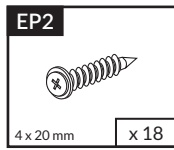
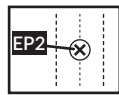


23

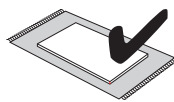
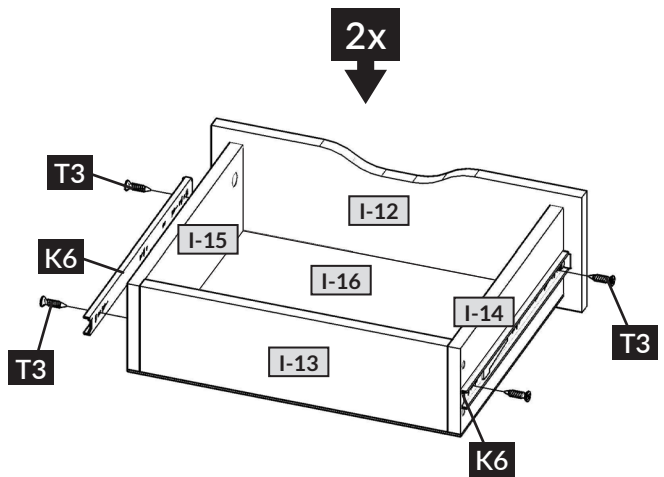
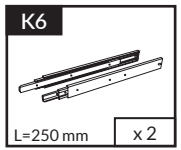
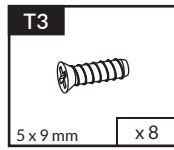




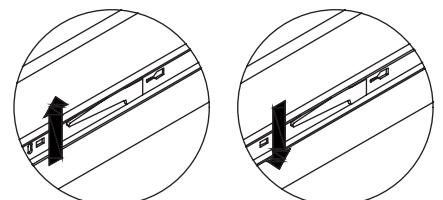
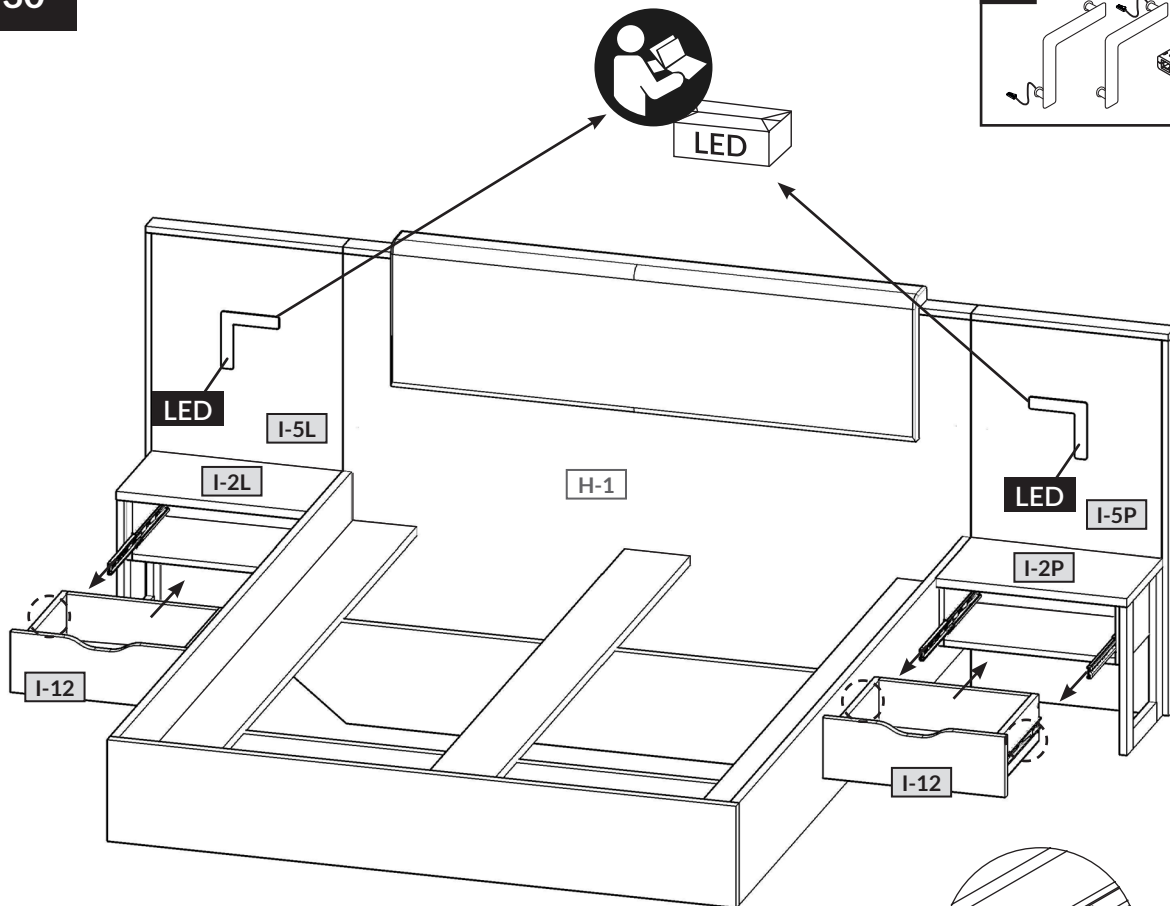
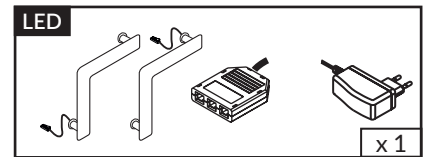
28

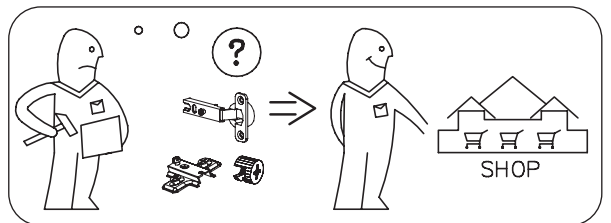
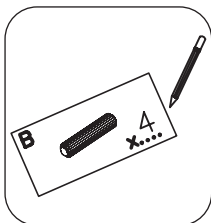
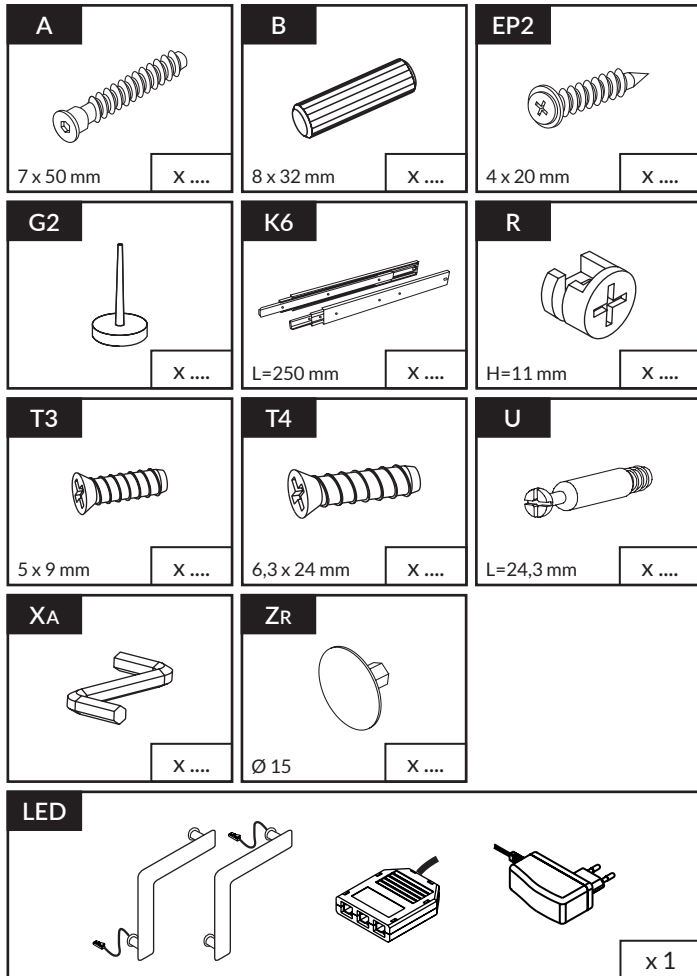


29



30





nr	↔ [mm]	↓ [mm]	↗ [mm]	Menge	Colli
I-1	449	284	16	x 2	1/1
I-2 L/P	500	305	16	x 2	1/1
I-3 L/P	164	284	16	x 2	1/1
I-4 L/P	164	284	16	x 2	1/1
I-5 L/P	500	1000	16	x 2	1/1
I-6	516	60	16	x 2	1/1
I-7	1000	60	16	x 2	1/1
I-8	600	160	16	x 2	1/1
I-9	394	50	15	x 2	1/1
I-10	394	50	15	x 2	1/1
I-11	204	50	15	x 2	1/1
I-12	476	160	16	x 2	1/1
I-13	393	100	16	x 2	1/1
I-14	250	100	16	x 2	1/1
I-15	250	100	16	x 2	1/1
I-16	424	256	3	x 2	1/1

