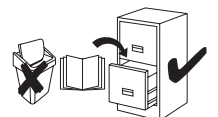
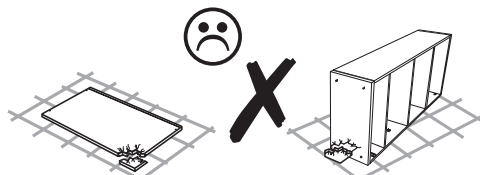
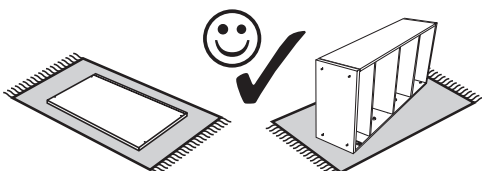
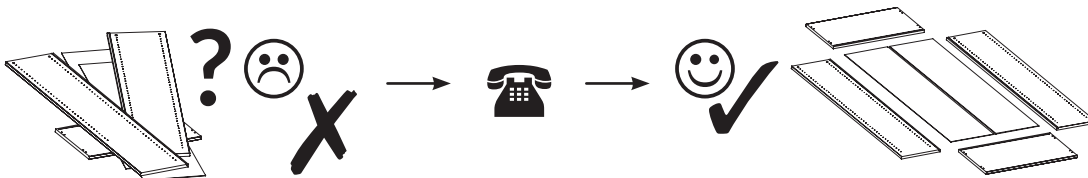
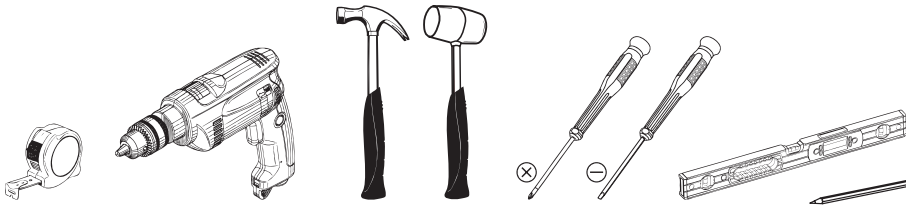
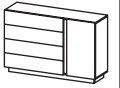
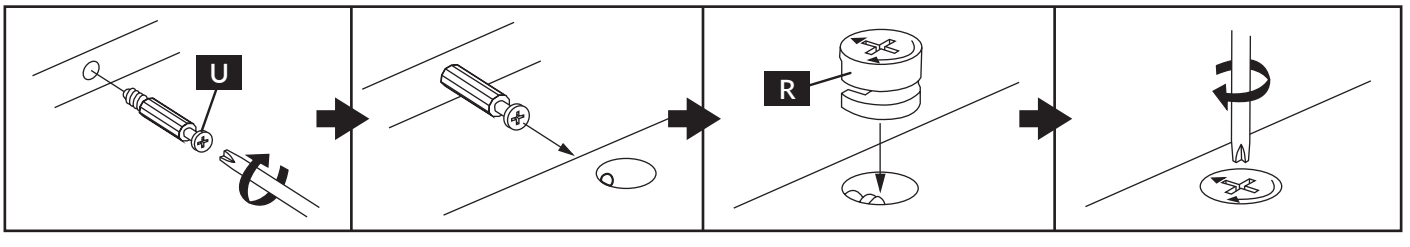
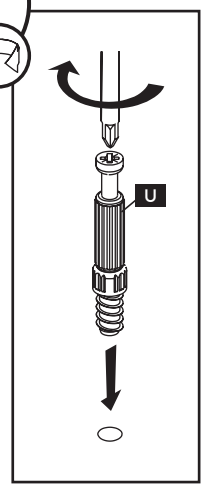
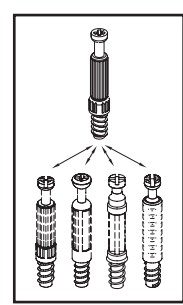
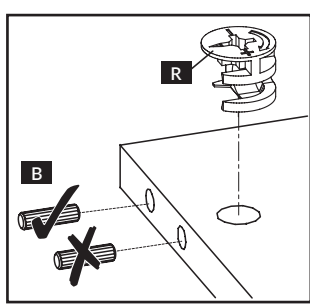
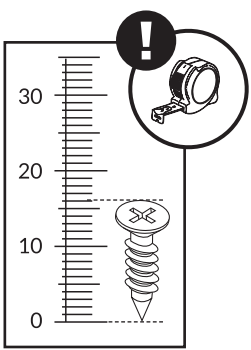
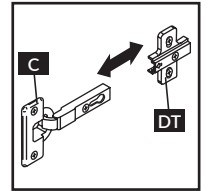
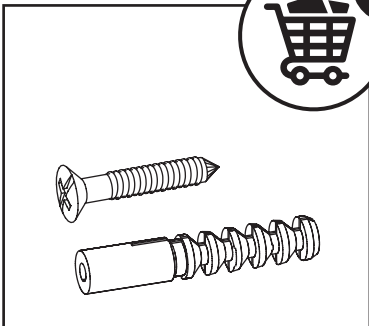


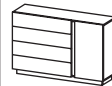
 3,5



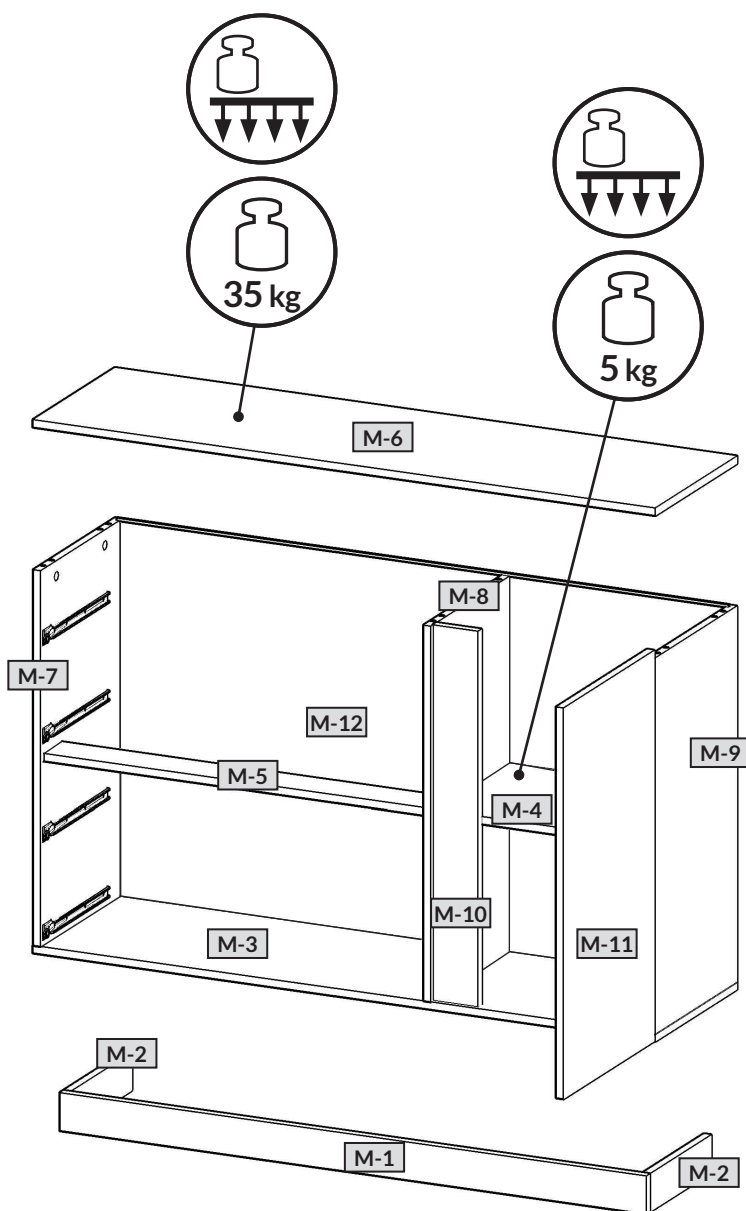
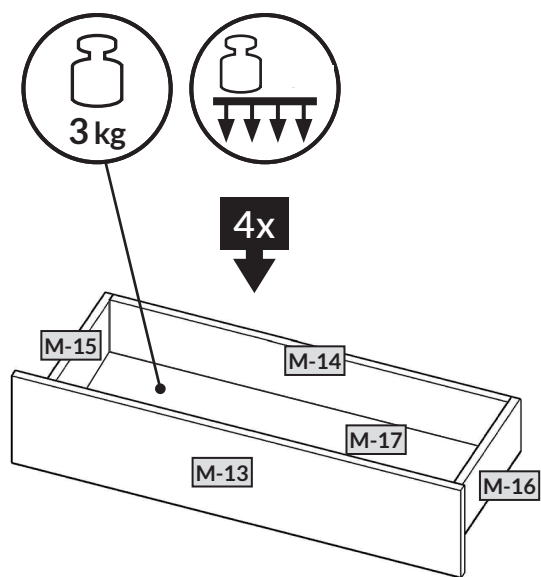


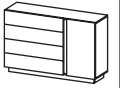
A 7 x 50 mm x 8	B 8 x 32 mm x 42	C (CD) x 2	DT x 2	E 3,5 x 13 mm x 15	E2 3 x 20 mm x 41
G2 x 6	H1 x 10	K L=350 mm x 4	O2 x 5	P x 4	R H=11 mm x 16
RB x 16	T3 5 x 9 mm x 16	U L=24,3 mm x 16	W1 x 1	XA x 1	XG x 2
ZA Ø 4 x 2	ZR Ø 15 x 16				



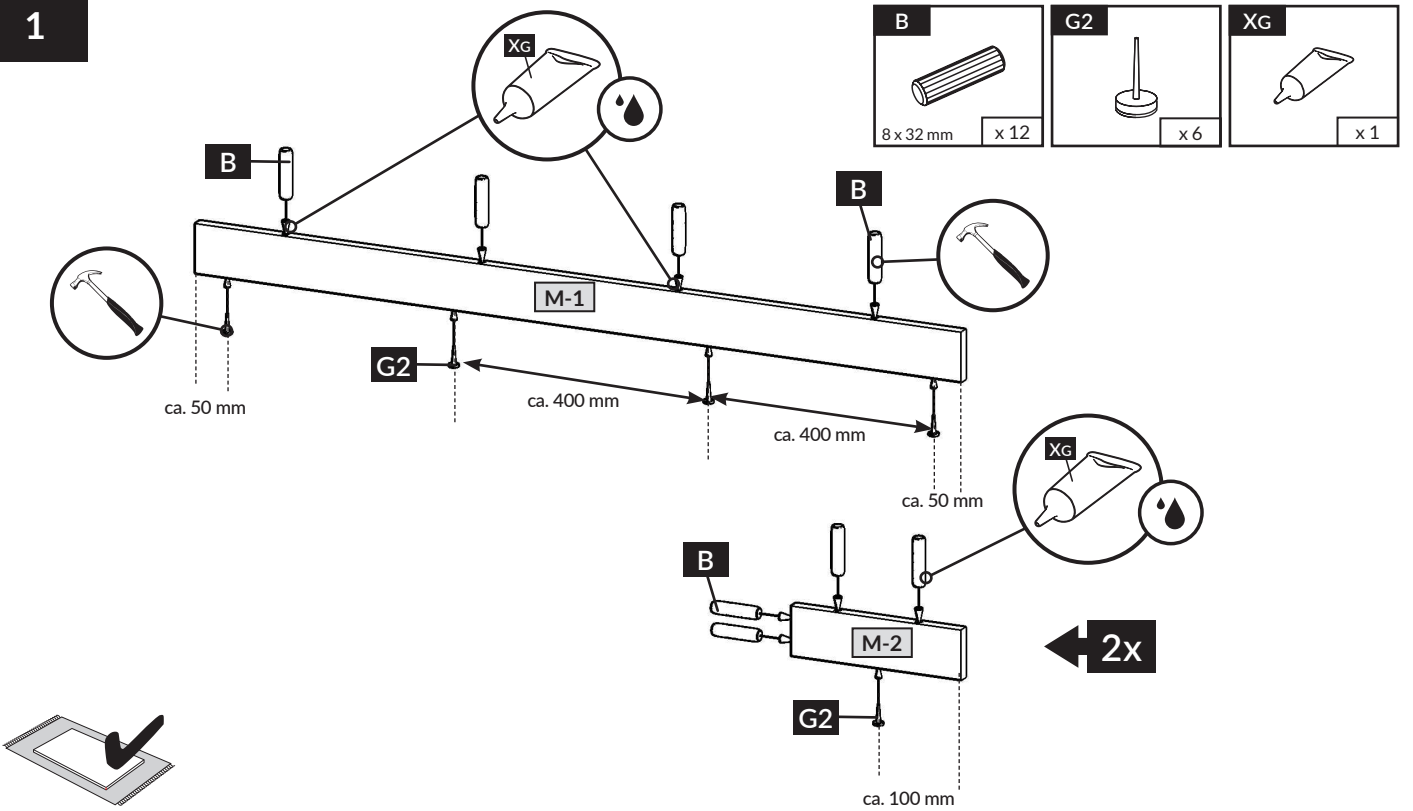


nr	↔ [mm]	↓ [mm]	∅ [mm]	Menge	Colli
M-1	1302	80	16	x1	1/2
M-2	288	80	16	x2	1/2
M-3	1381	384	16	x1	1/2
M-4	482	343	16	x1	1/2
M-5	850	100	16	x1	1/2
M-6	1381	384	16	x1	1/2
M-7	790	384	16	x1	2/2
M-8	790	369	16	x1	2/2
M-9	790	384	16	x1	2/2
M-10	100	790	16	x1	1/2
M-11	426	822	16	x1	2/2
M-12	1363	805	3	x1	1/2
M-13	894	202	16	x4	1/2
M-14	794	120	16	x4	1/2
M-15	350	120	16	x4	1/2
M-16	350	120	16	x4	1/2
M-17	823	356	16	x4	2/2

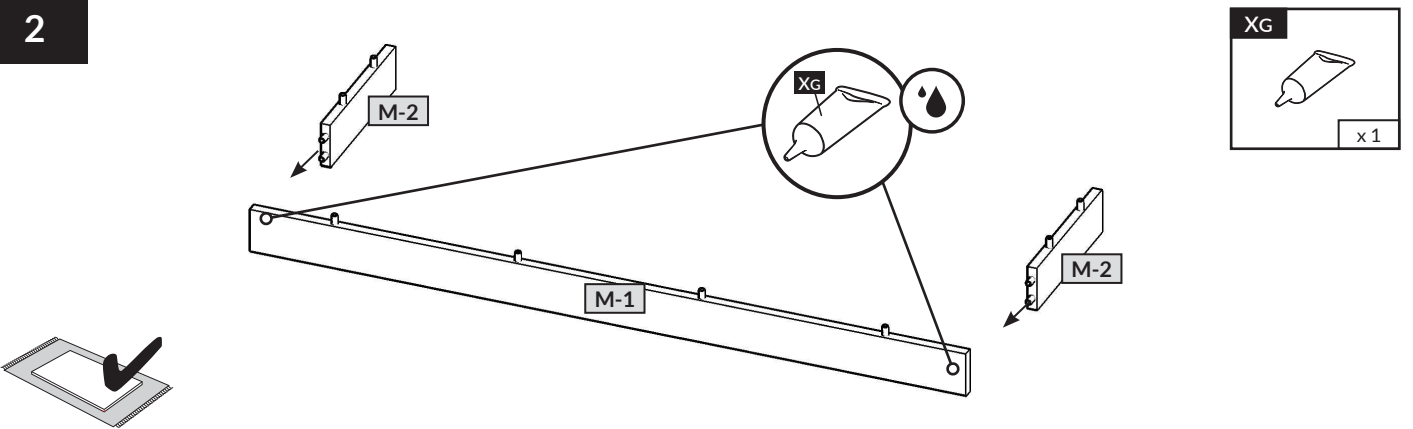




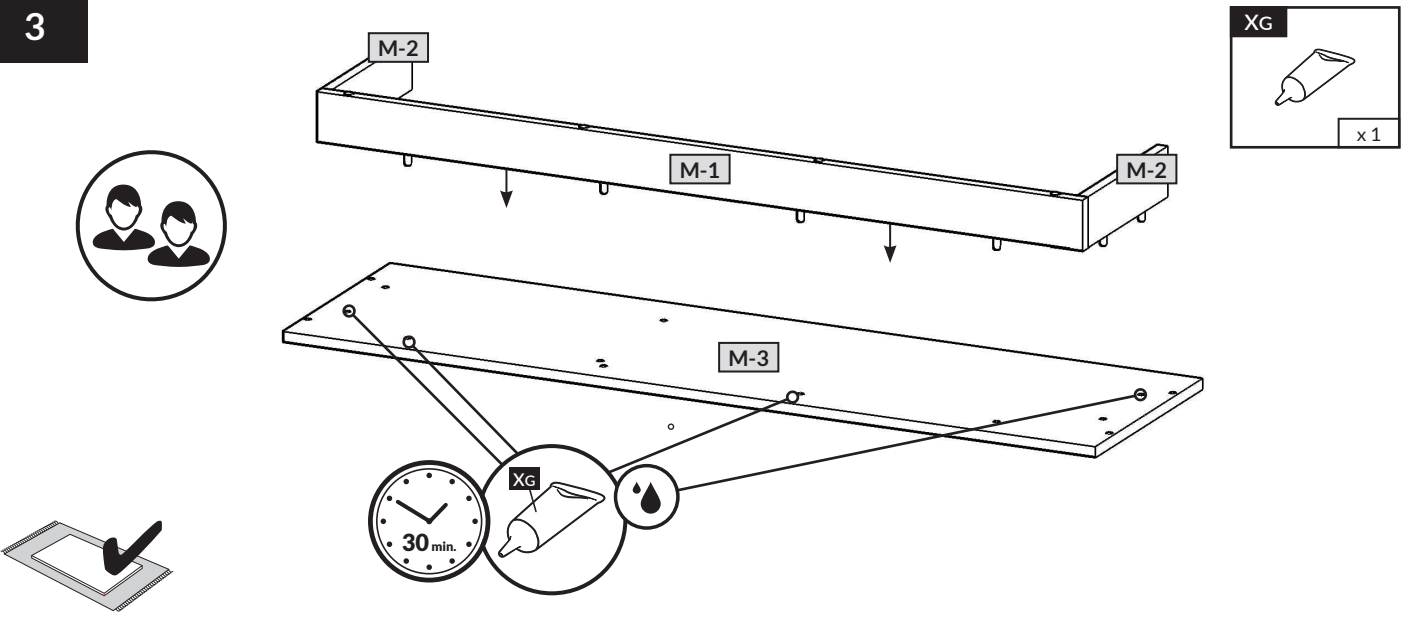
1

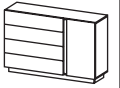


2

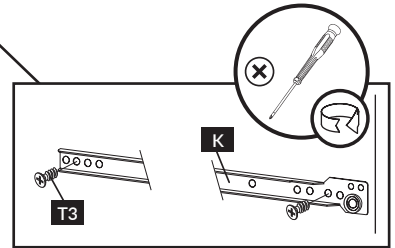
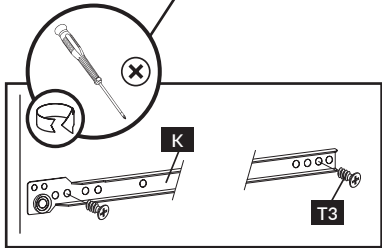
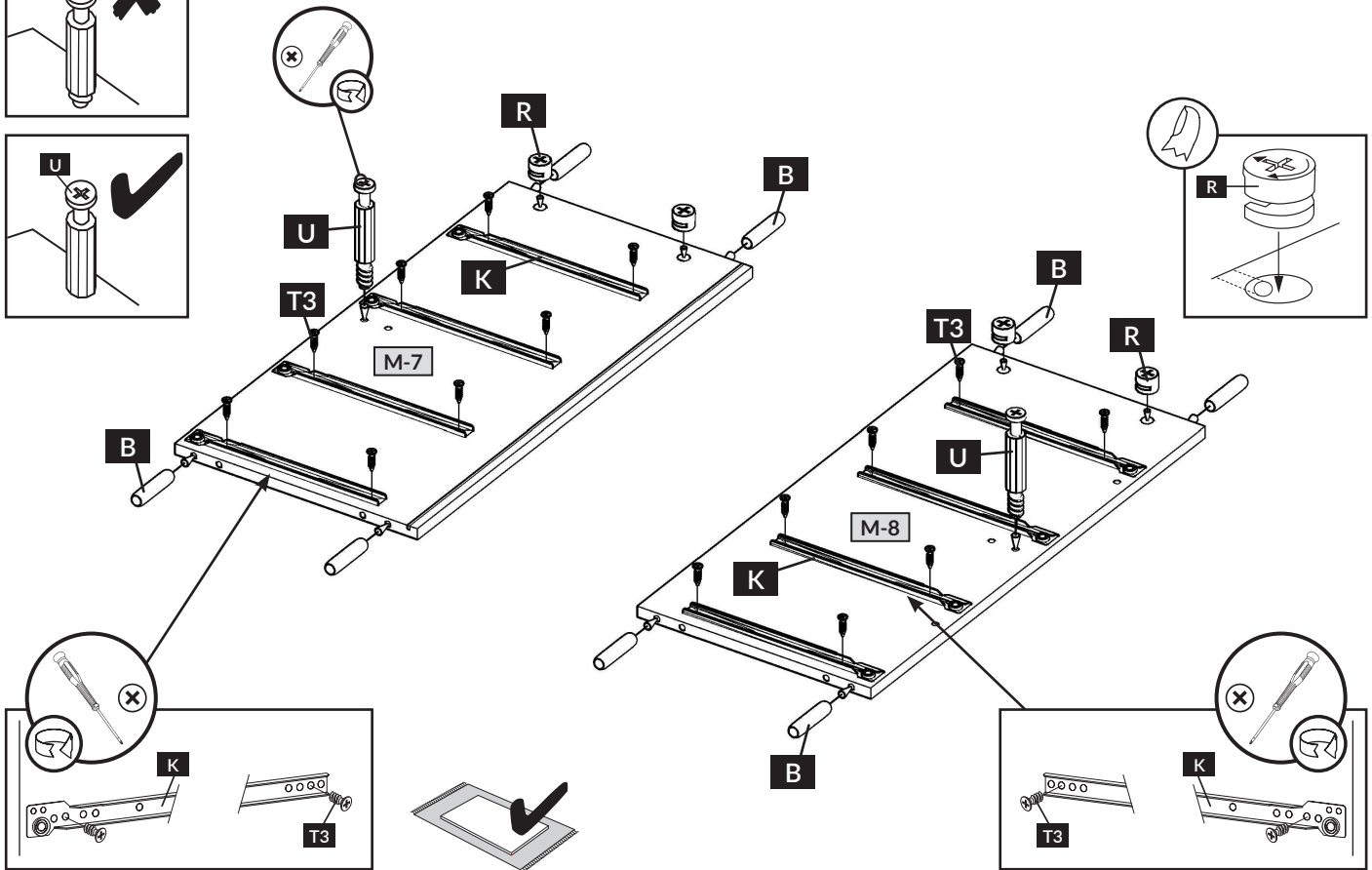
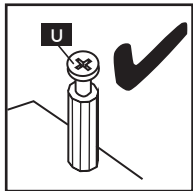
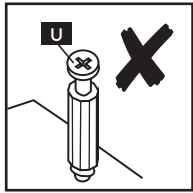
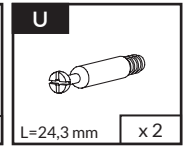
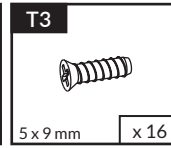
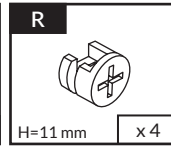
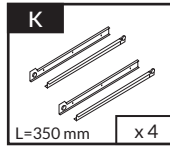
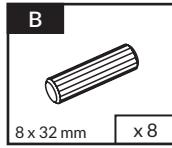


3

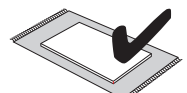
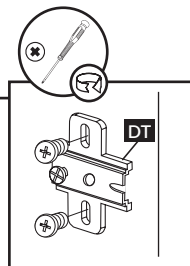
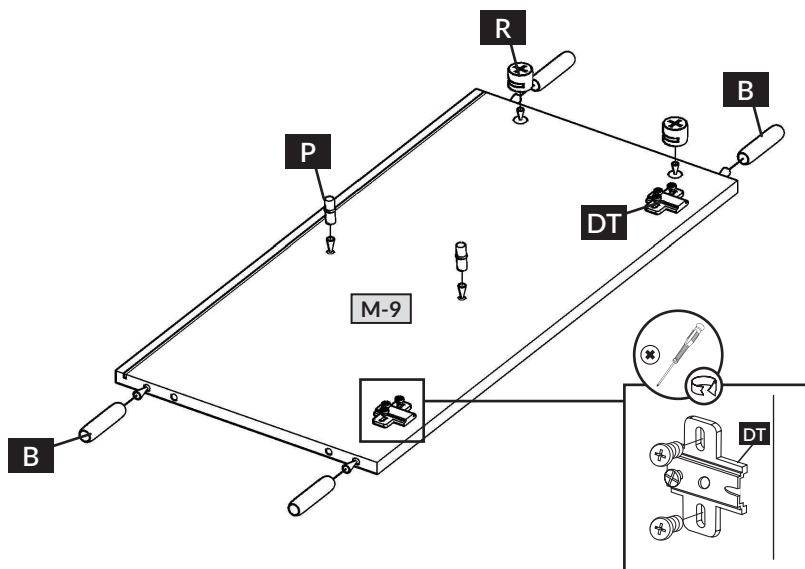
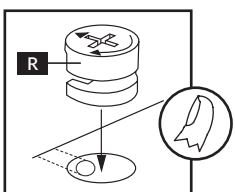
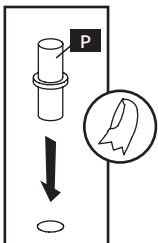
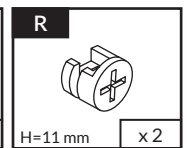
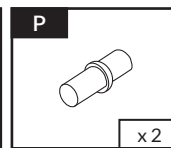
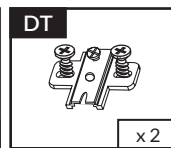
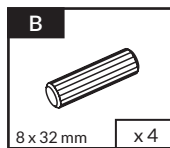


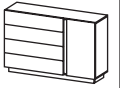


4

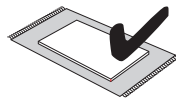
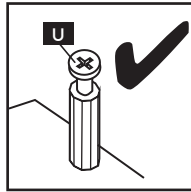
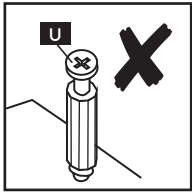
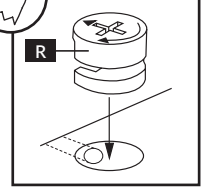
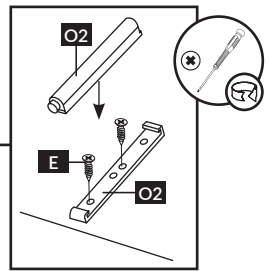
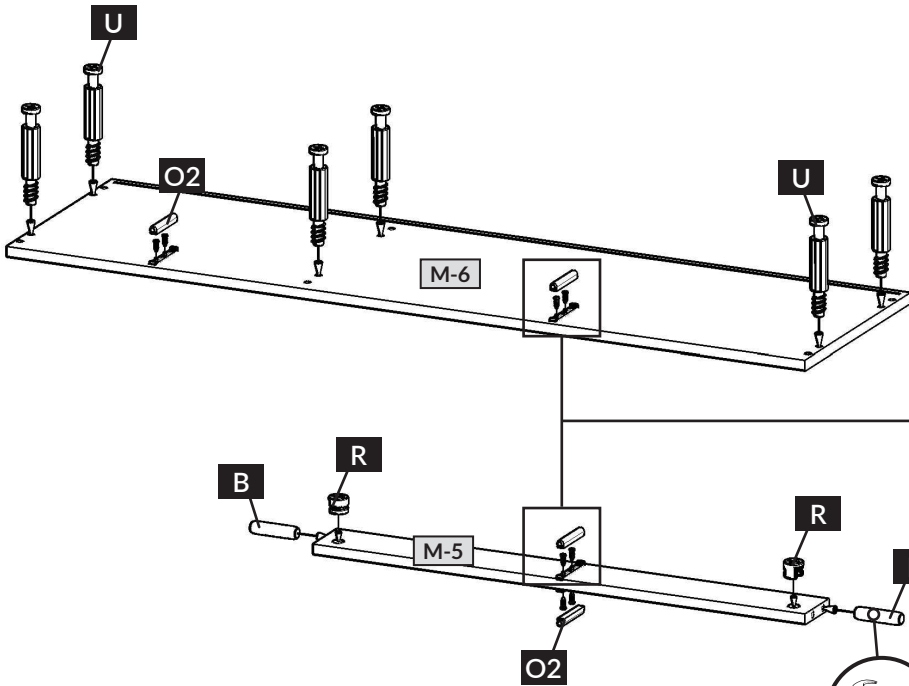
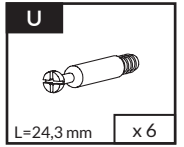
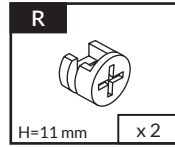
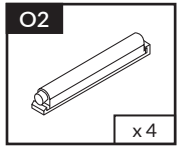
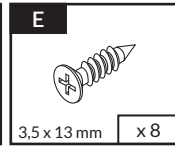
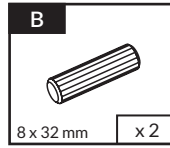


5

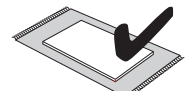
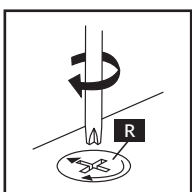
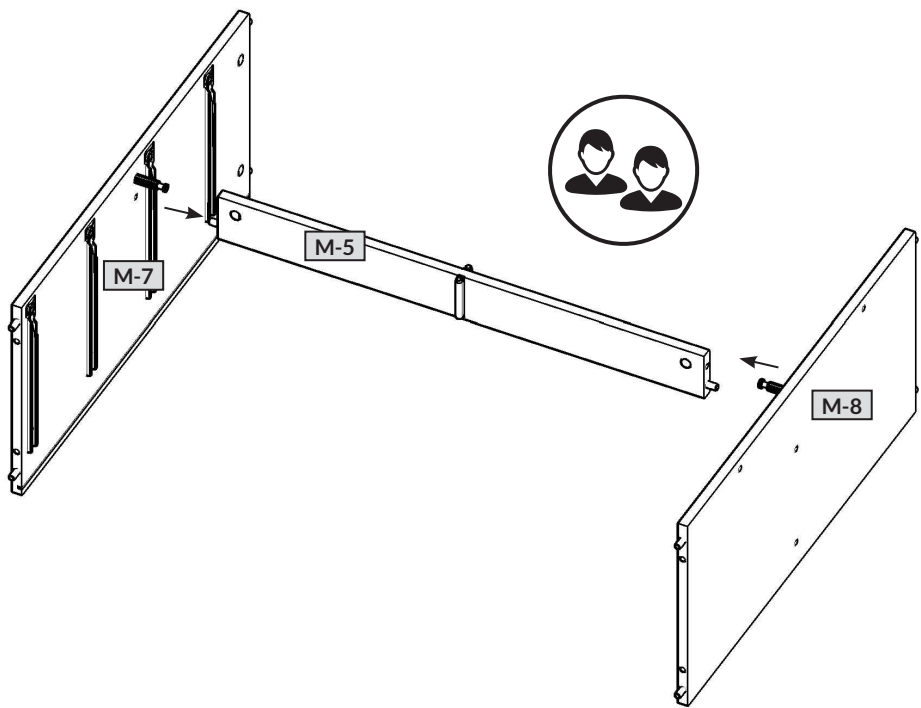


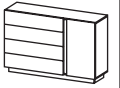


6

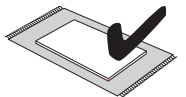
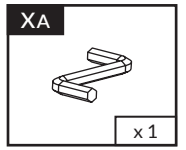
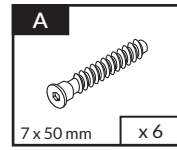
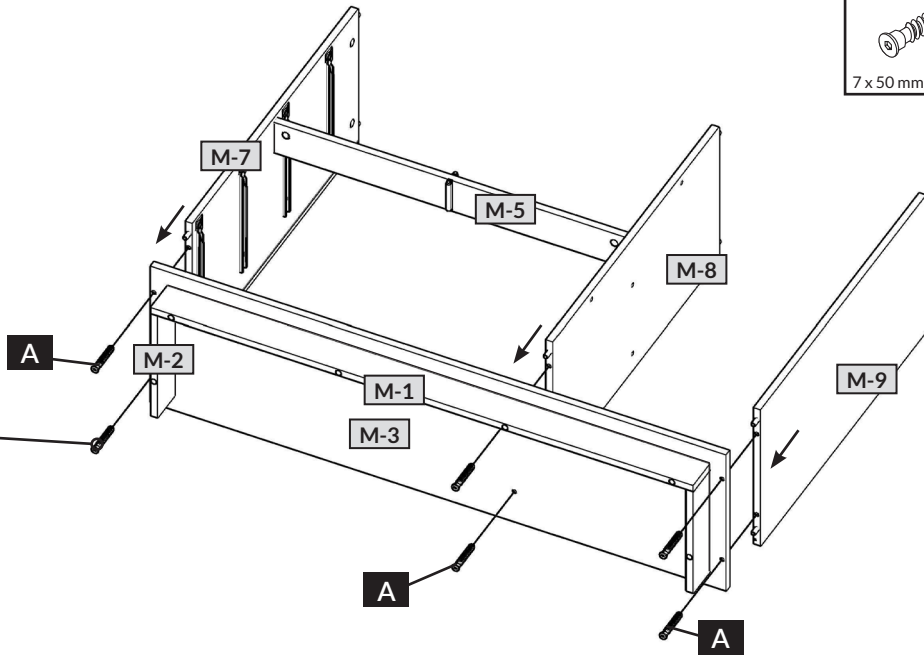
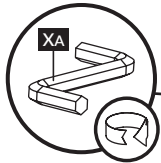


7

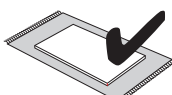
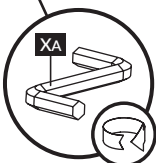
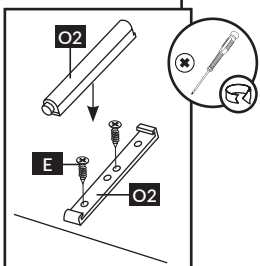
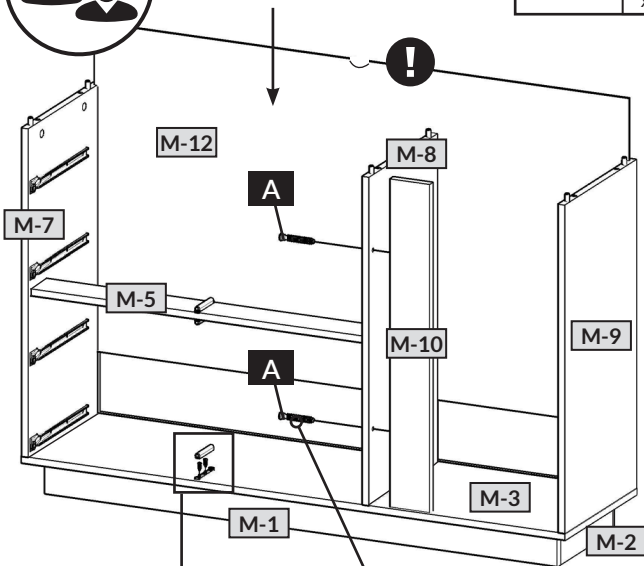
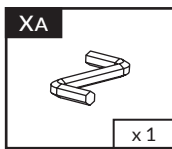
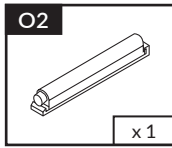
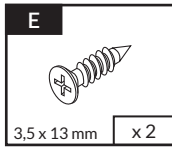
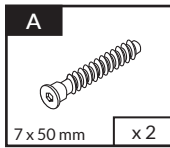




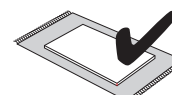
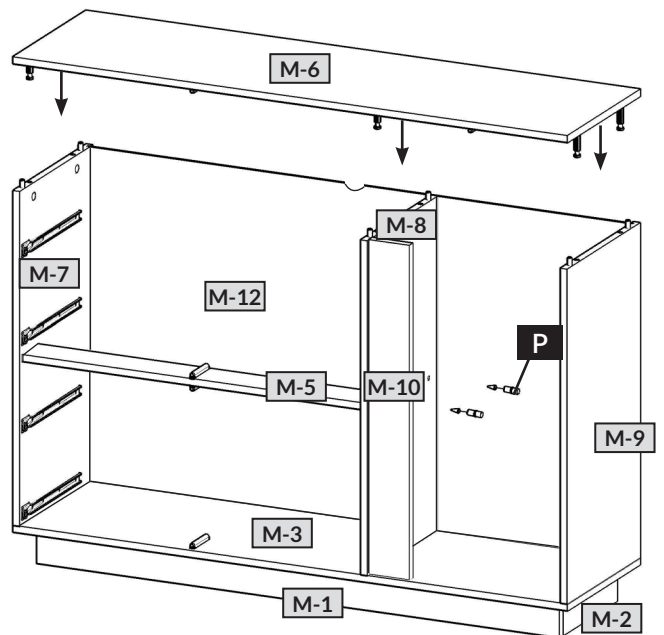
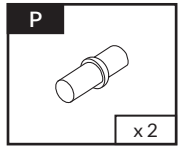
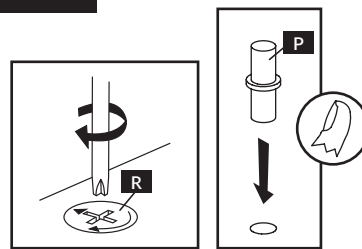
8

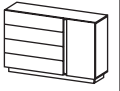


9

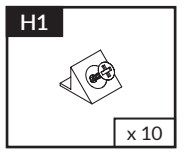
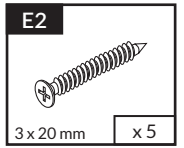
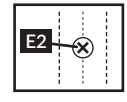
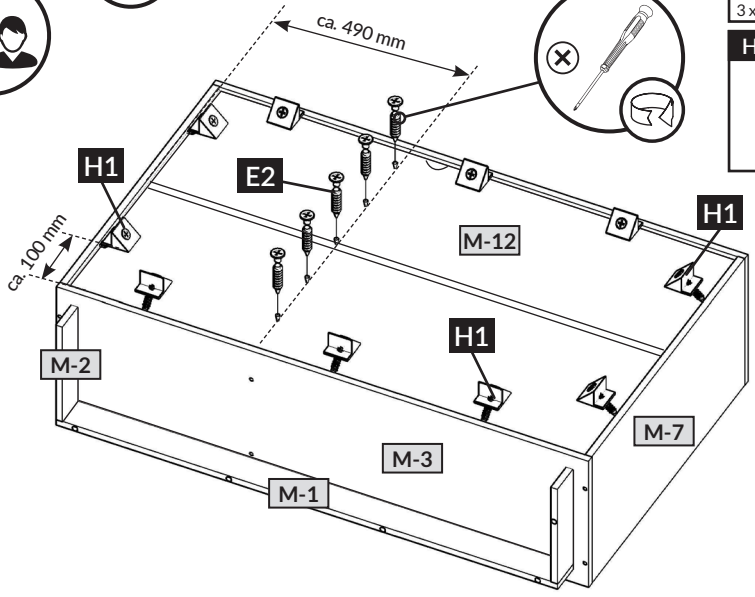
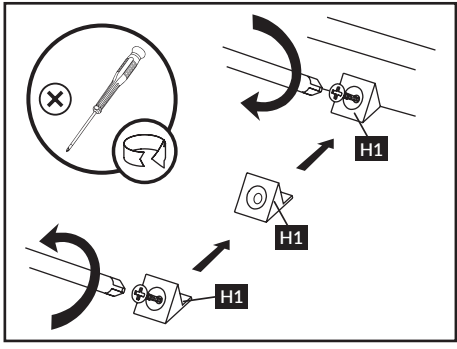
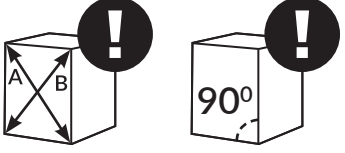
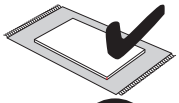


10

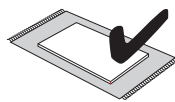
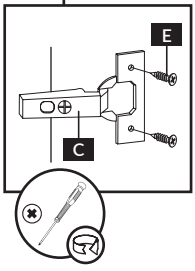
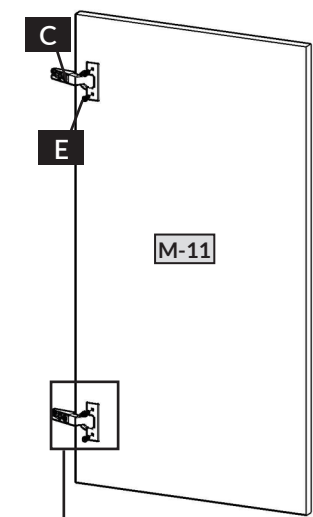
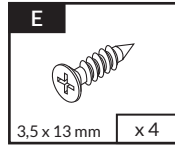
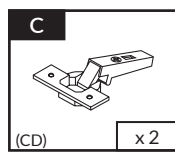




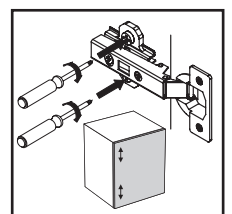
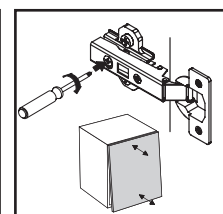
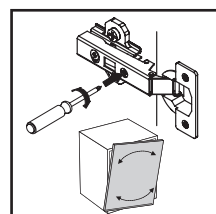
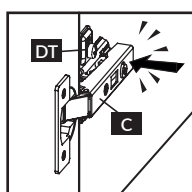
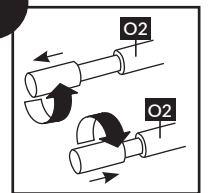
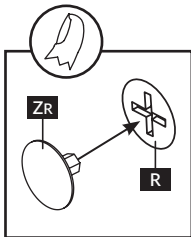
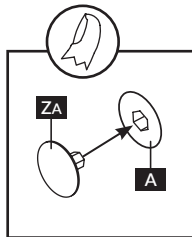
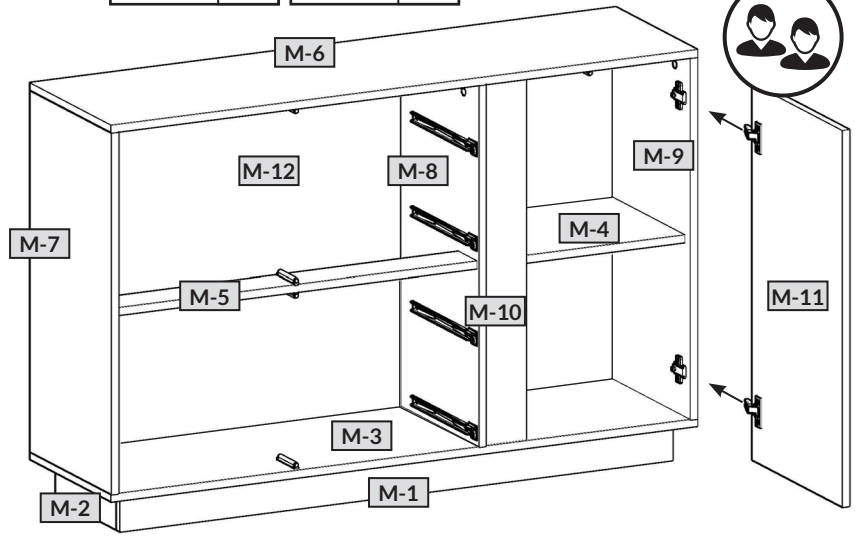
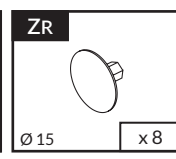
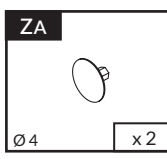
11

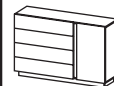


12

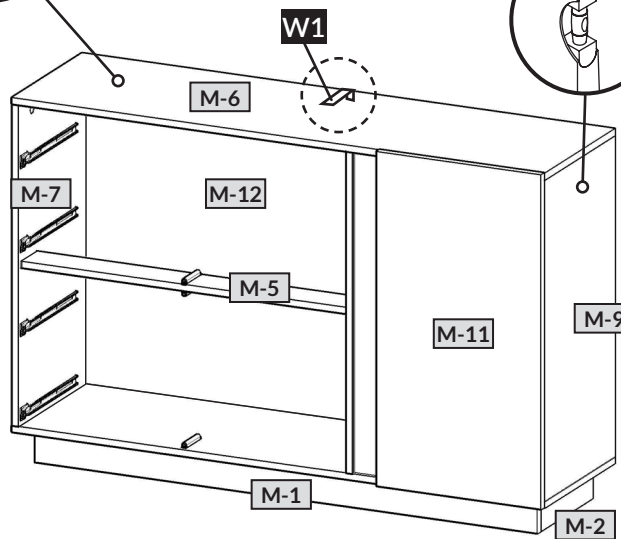
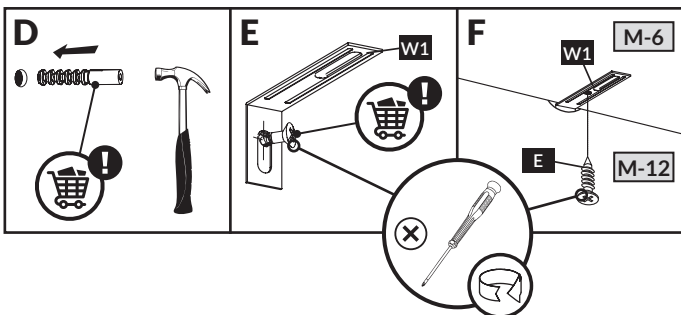
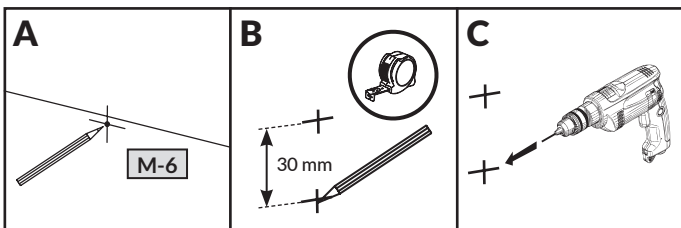
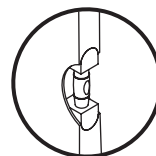
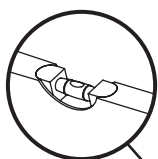
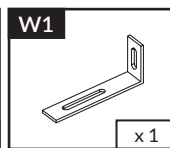
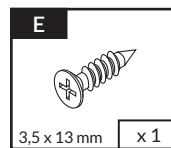
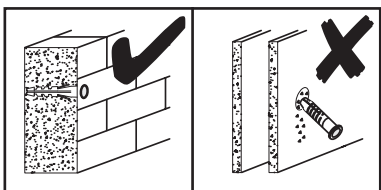


13

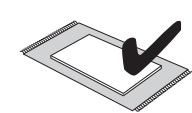
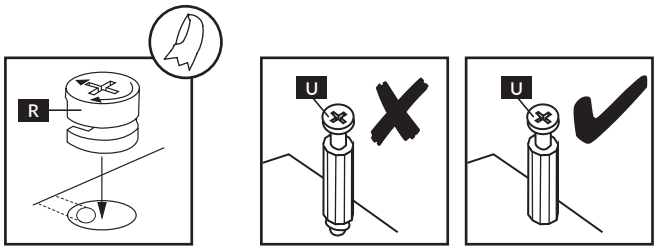
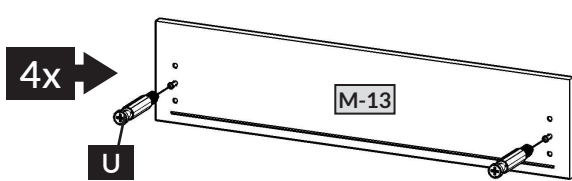
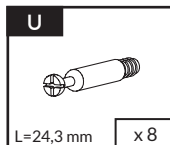
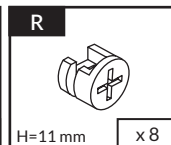
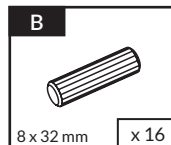
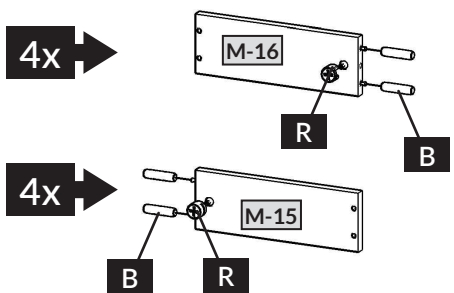




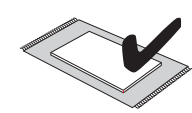
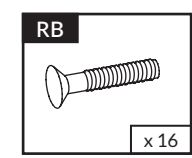
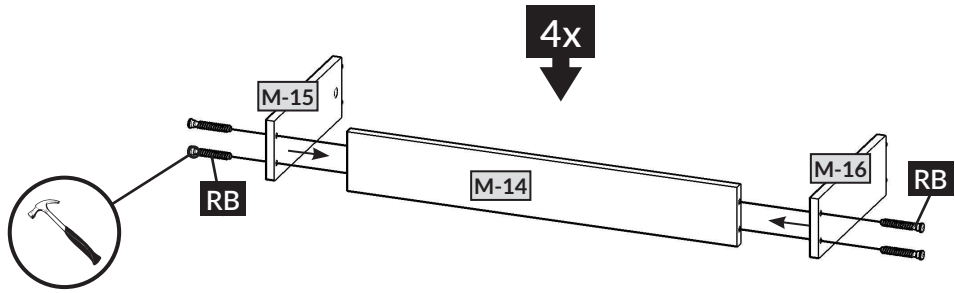
14

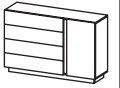


15



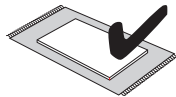
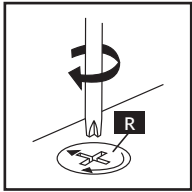
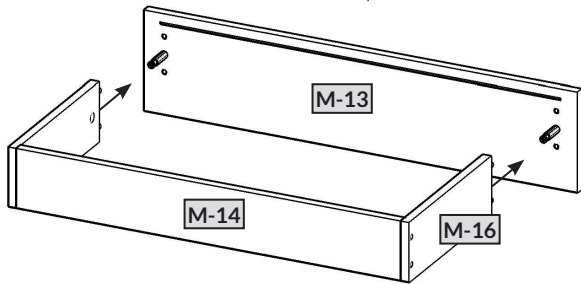
16





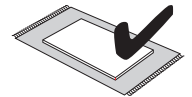
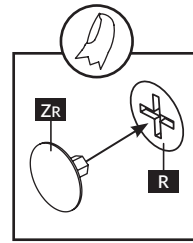
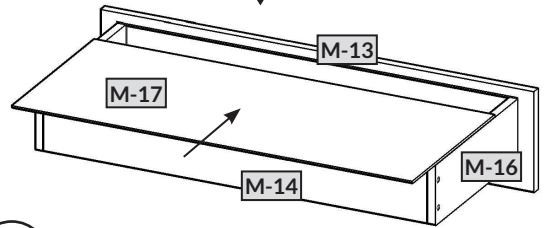
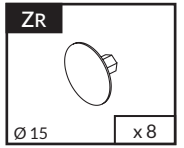
17

4x



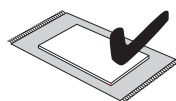
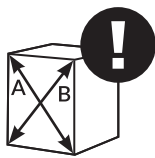
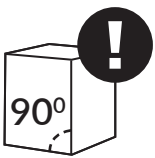
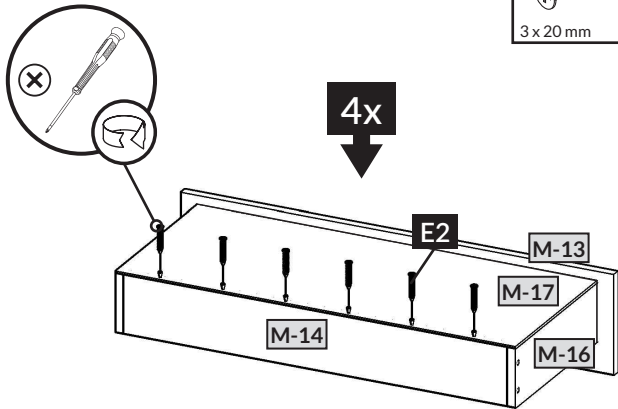
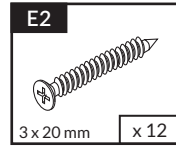
18

4x



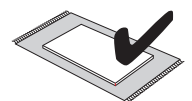
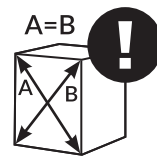
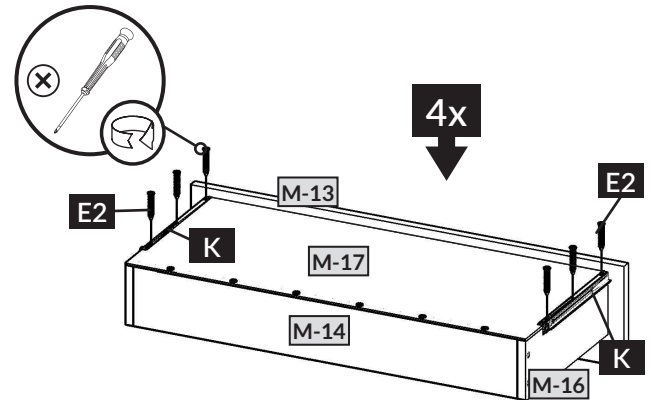
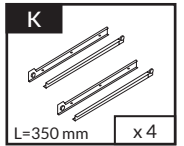
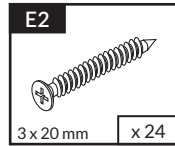
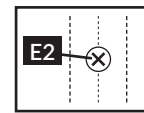
19

4x

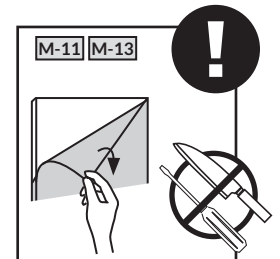
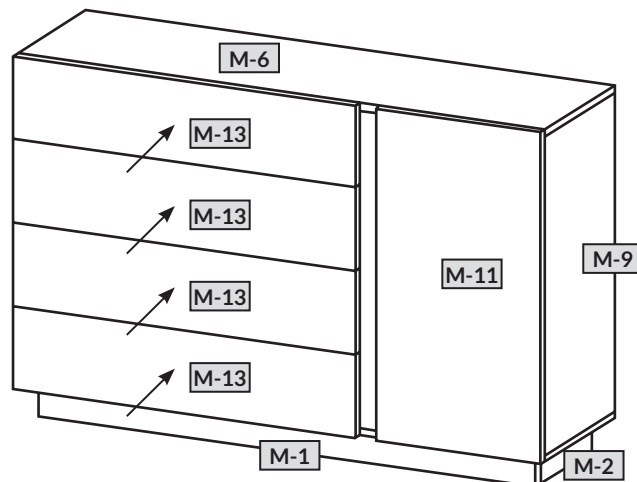
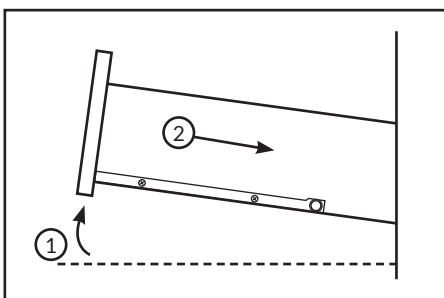


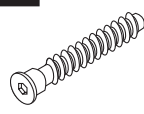
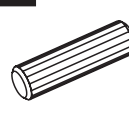
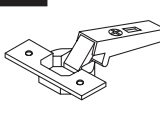
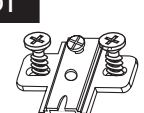
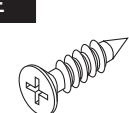
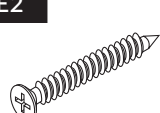

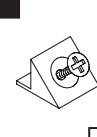
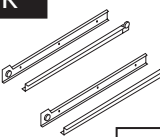
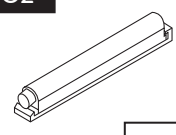
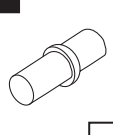
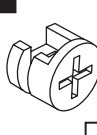
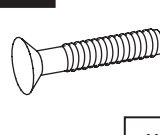
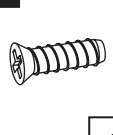
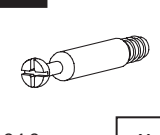
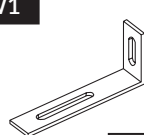
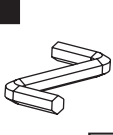



20

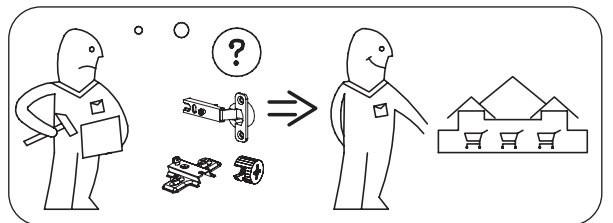
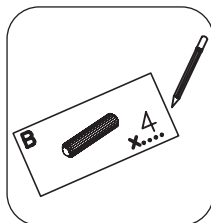
4x

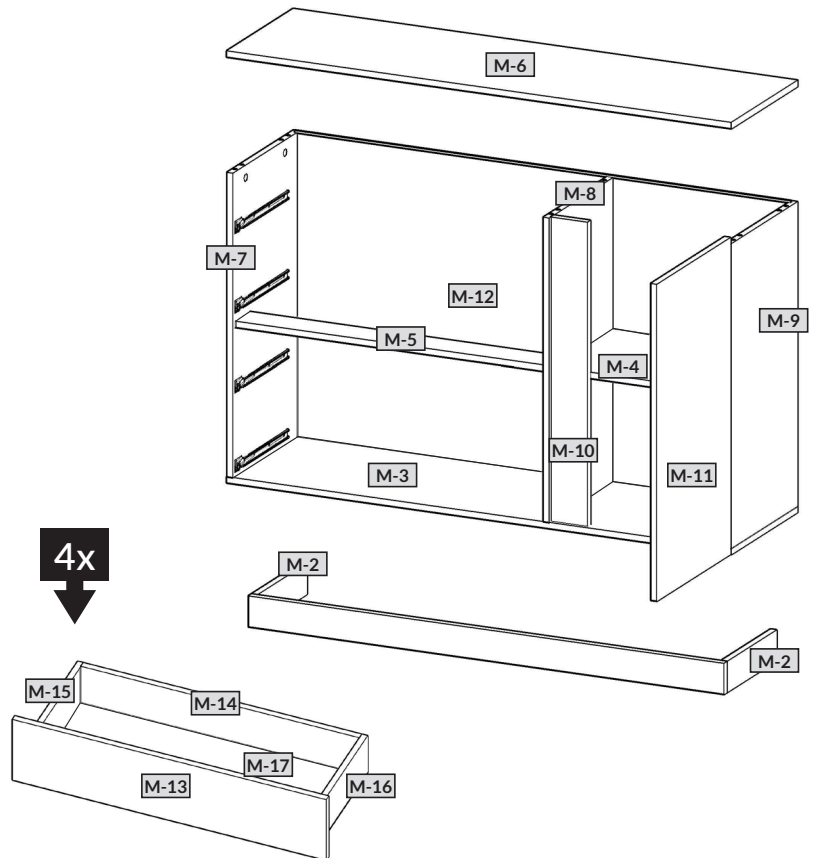


21



<p>A</p>  <p>7 x 50 mm X ...</p>	<p>B</p>  <p>8 x 32 mm X ...</p>	<p>C</p>  <p>(CD) X ...</p>
<p>DT</p>  <p>X ...</p>	<p>E</p>  <p>3,5 x 13 mm X ...</p>	<p>E2</p>  <p>3 x 20 mm X ...</p>
<p>G2</p>  <p>X ...</p>	<p>H1</p>  <p>X ...</p>	<p>K</p>  <p>L=350 mm X ...</p>
<p>O2</p>  <p>X ...</p>	<p>P</p>  <p>X ...</p>	<p>R</p>  <p>H=11 mm X ...</p>
<p>RB</p>  <p>X ...</p>	<p>T3</p>  <p>5 x 9 mm X ...</p>	<p>U</p>  <p>L=24,3 mm X ...</p>
<p>W1</p>  <p>X ...</p>	<p>XA</p>  <p>X ...</p>	<p>XG</p>  <p>X ...</p>
<p>ZA</p>  <p>Ø 4 X ...</p>	<p>ZR</p>  <p>Ø 15 X ...</p>	





nr	↔ [mm]	↓ [mm]	∅ [mm]	Menge	Colli
M-1	1302	80	16	x 1	1/2
M-2	288	80	16	x 2	1/2
M-3	1381	384	16	x 1	1/2
M-4	482	343	16	x 1	1/2
M-5	850	100	16	x 1	1/2
M-6	1381	384	16	x 1	1/2
M-7	790	384	16	x 1	2/2
M-8	790	369	16	x 1	2/2
M-9	790	384	16	x 1	2/2
M-10	100	790	16	x 1	1/2
M-11	426	822	16	x 1	2/2
M-12	1363	805	3	x 1	1/2
M-13	894	202	16	x 4	1/2
M-14	794	120	16	x 4	1/2
M-15	350	120	16	x 4	1/2
M-16	350	120	16	x 4	1/2
M-17	823	356	16	x 4	2/2

