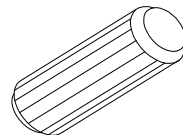
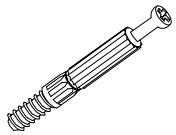
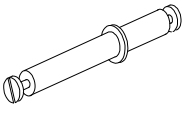
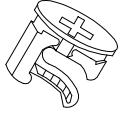
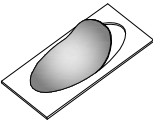
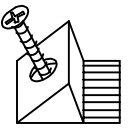
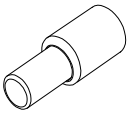

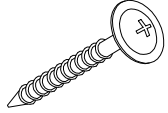
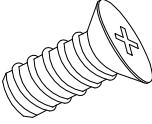
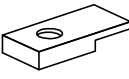
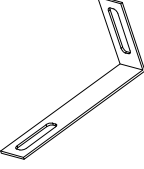

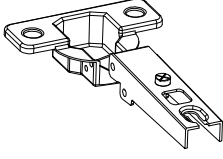
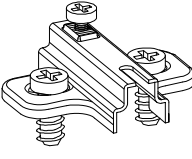
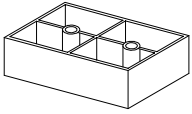
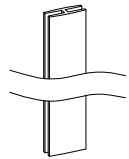
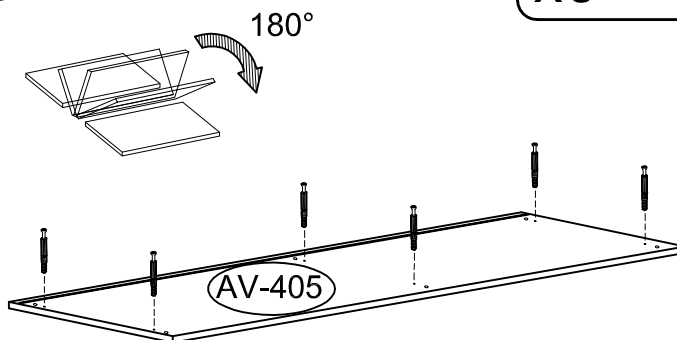
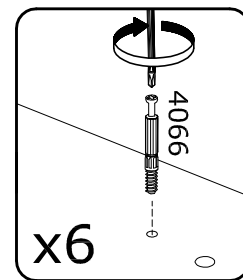
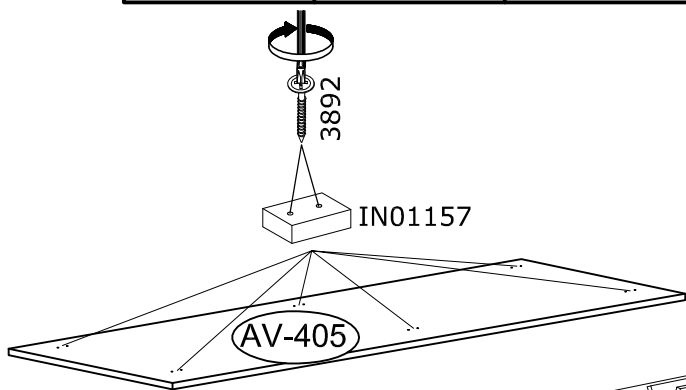




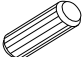



<p>3989</p>  <p>Ø8x30mm x20</p>	<p>4066</p>  <p>Ø6.5x36.5mm x32</p>	<p>4062</p>  <p> x2</p>	<p>3996</p>  <p> x36</p>
<p>136239</p>  <p>Ø20 x16</p>	<p>4044</p>  <p> x16</p>	<p>4019</p>  <p> x16</p>	<p>3914</p>  <p>Ø3,0x20 mm x12</p>
<p>3892</p>  <p>Ø4.0x25mm x12</p>	<p>3879</p>  <p>Ø6.3x13mm x16</p>	<p>4076</p>  <p> x12</p>	<p>71900</p>  <p>75x15x32 mm x2</p>
<p>3918</p>  <p>Ø3,5x16mm x4</p>	<p>136858</p>  <p> x8</p>	<p>136917</p>  <p> x8</p>	<p>202689</p>  <p> x6</p>
<p>205991</p>  <p>L-1758 mm x2</p>			

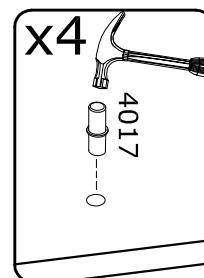
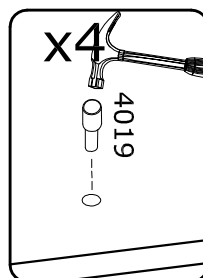
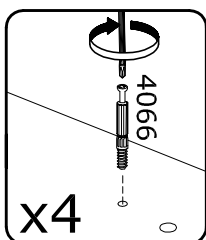
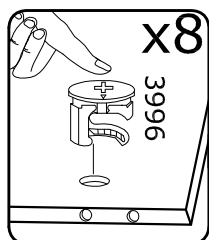
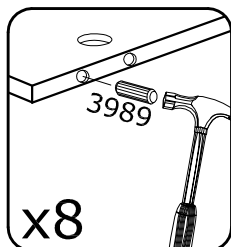
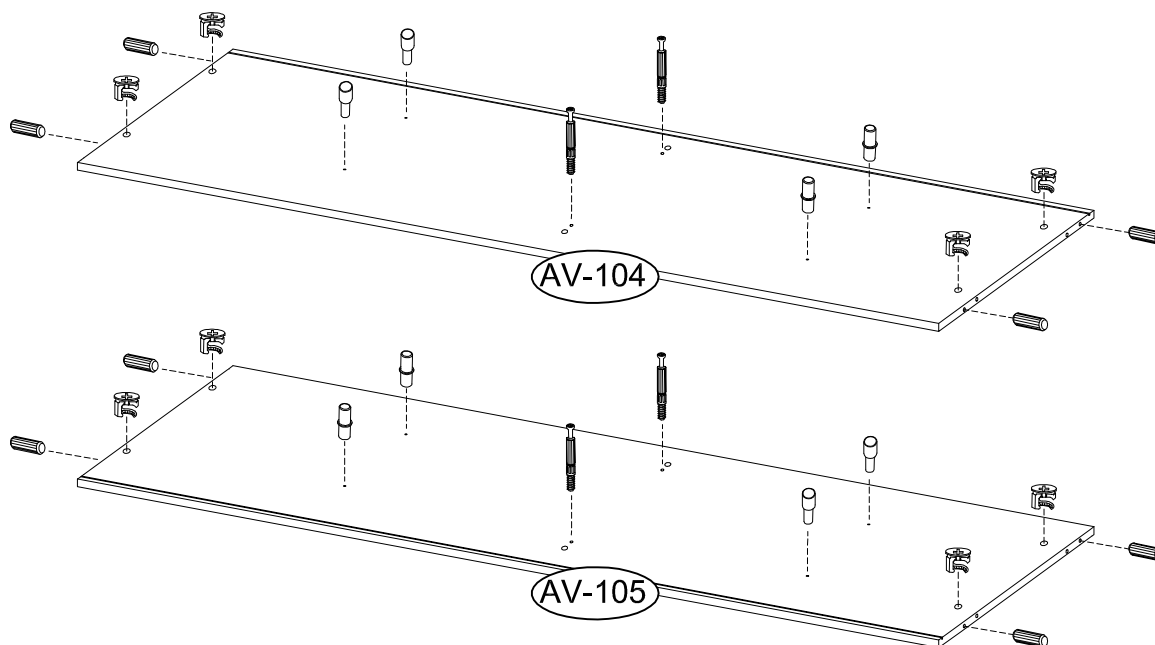
1

4066  x6	3892  x12	IN01157  x6			
--	---	---	--	--	---

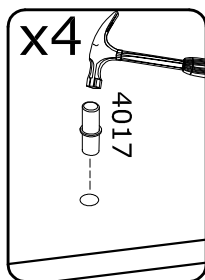
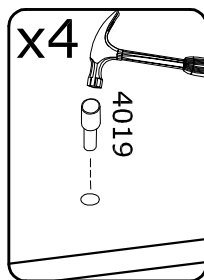
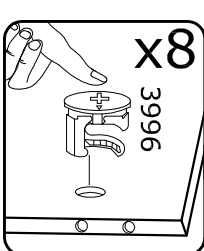
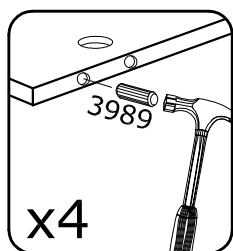
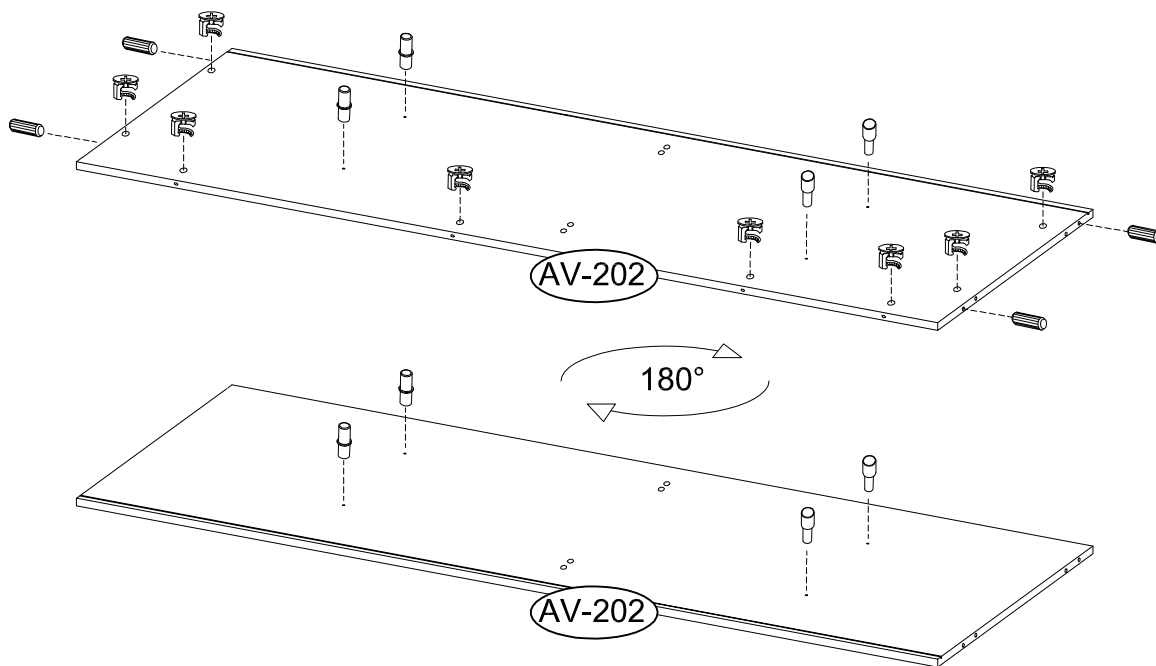
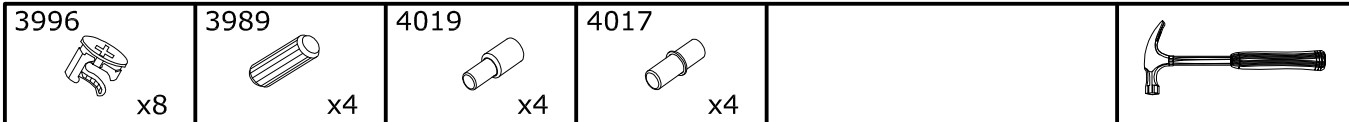


2

4066  x4	3996  x8	3989  x8	4019  x4	4017  x4		
---	---	---	---	---	--	---



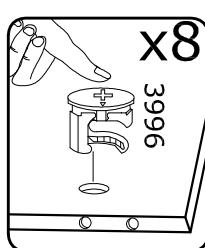
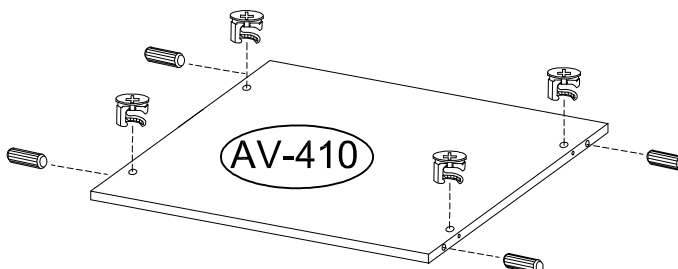
3



4



x2



5

4066

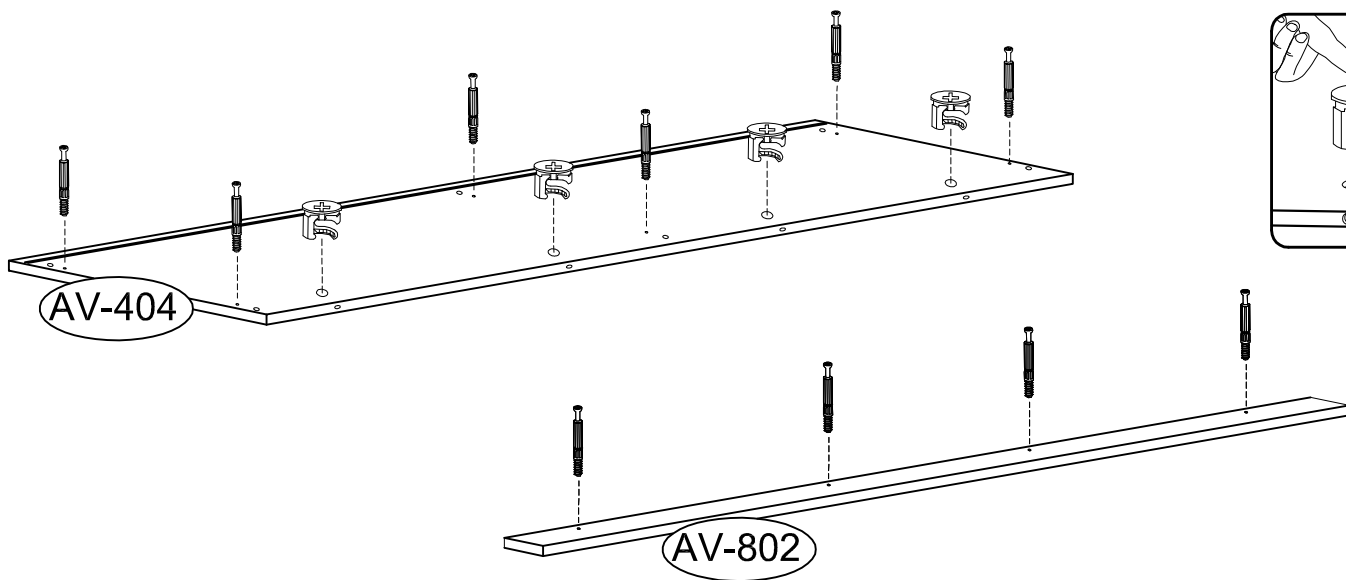
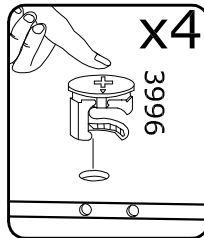
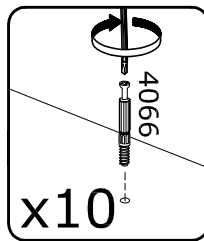


x10

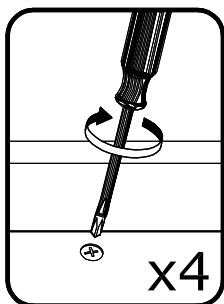
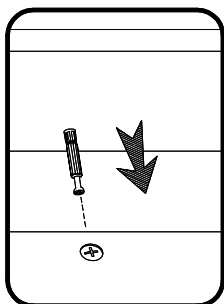
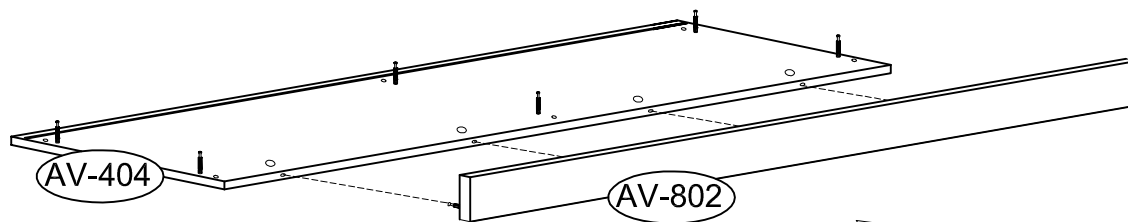
3996



x4



6

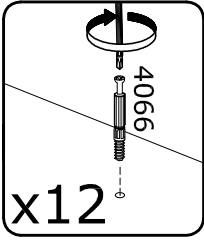
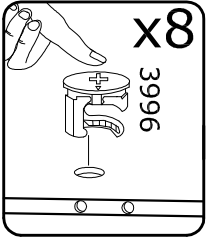


7

4066

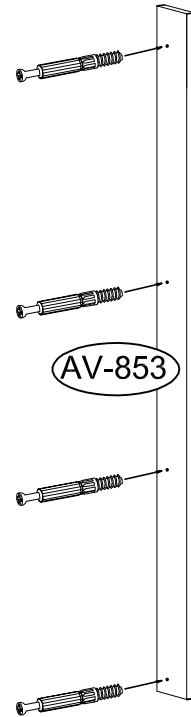
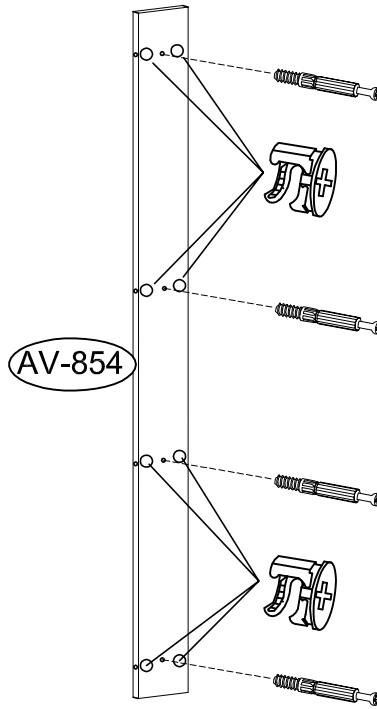


3996

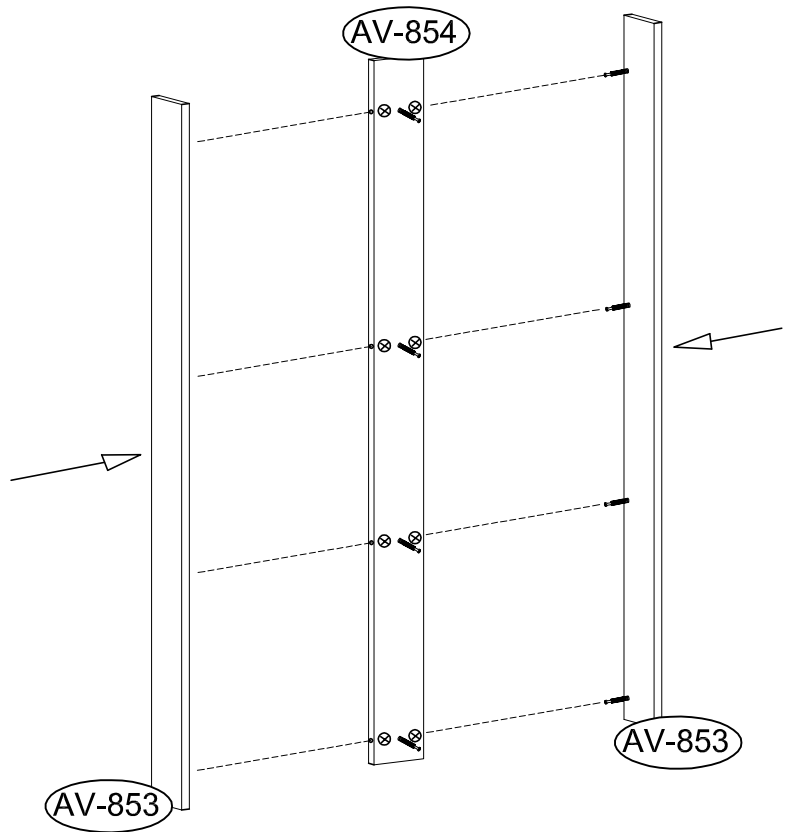
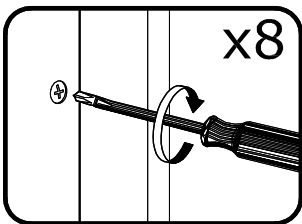
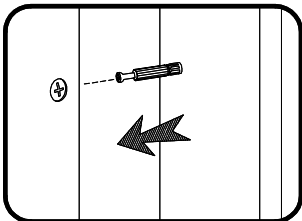


1x

2x



8

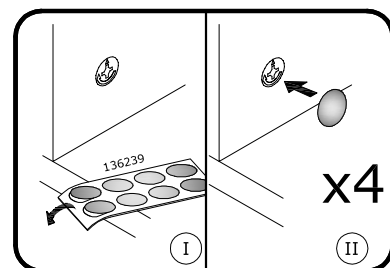
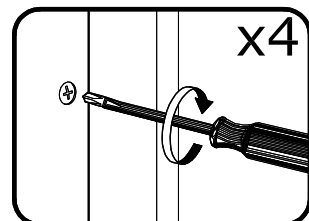
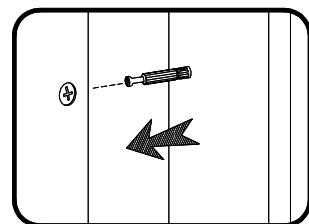
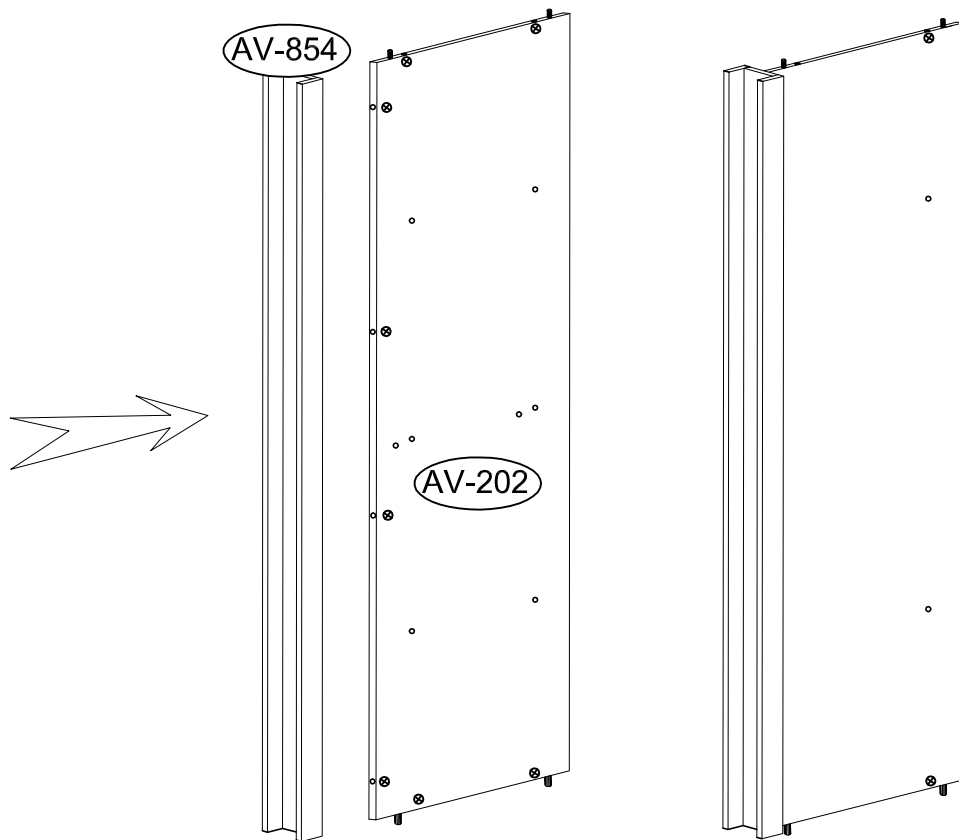


9

136239



x4

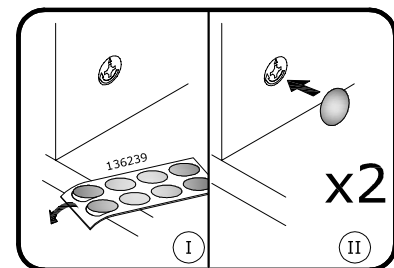
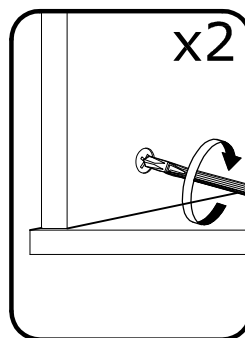
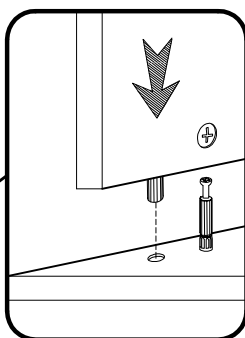
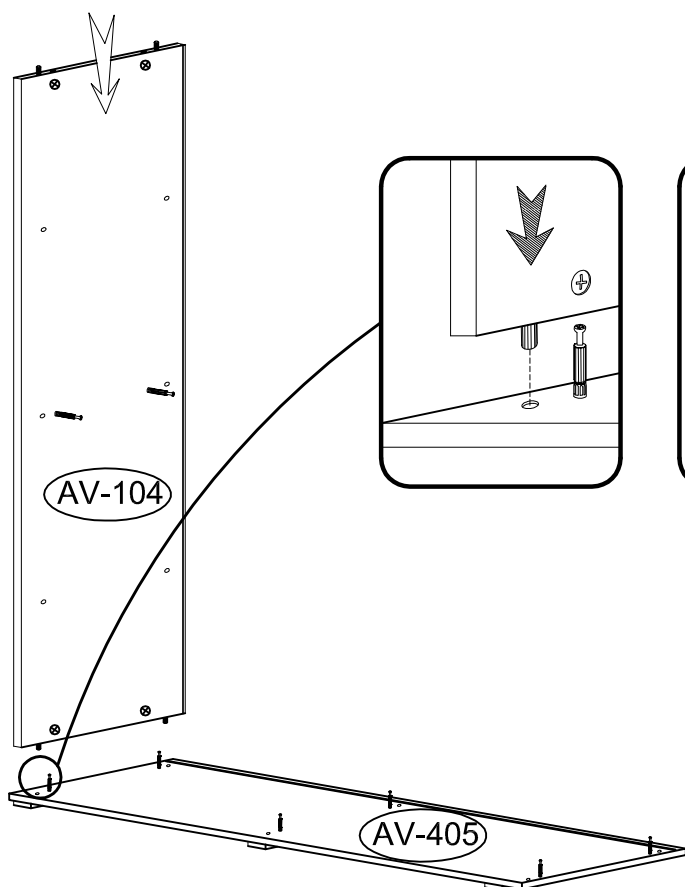


10

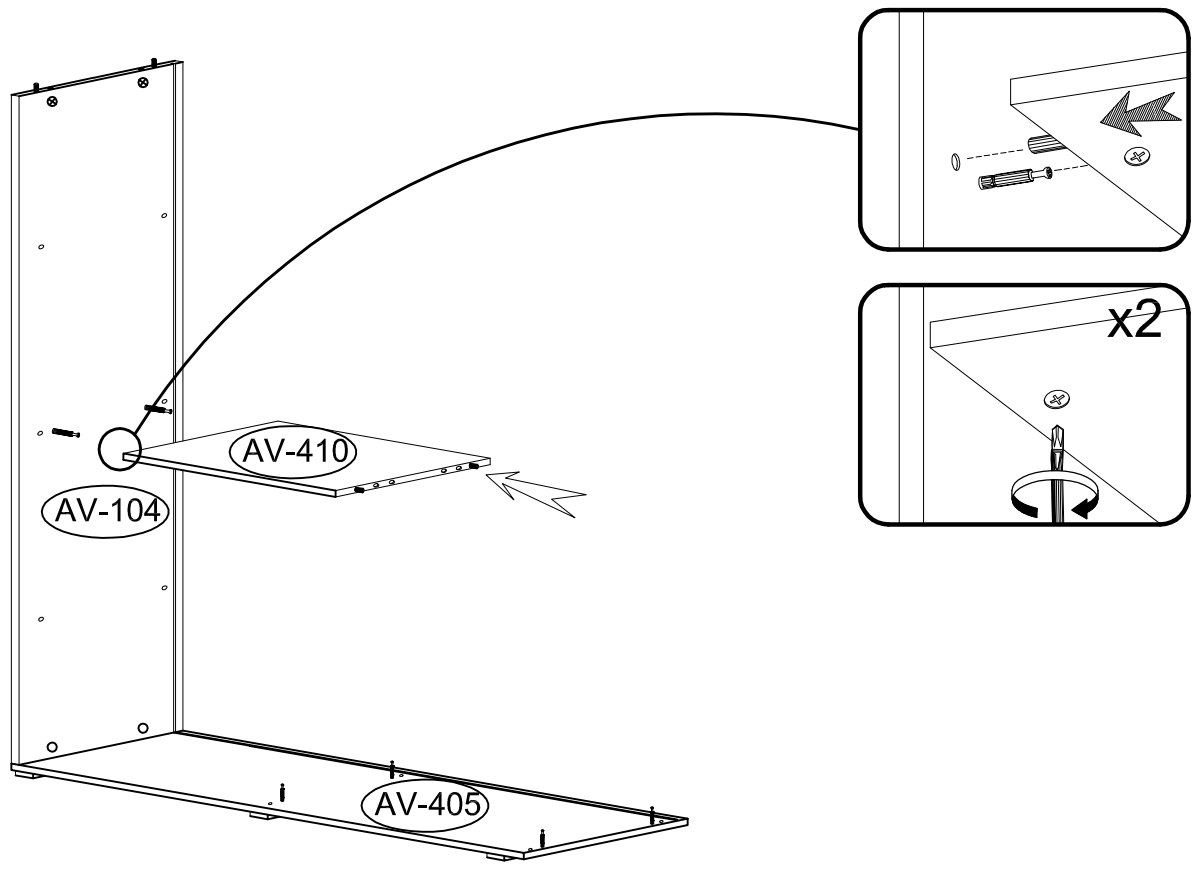
136239



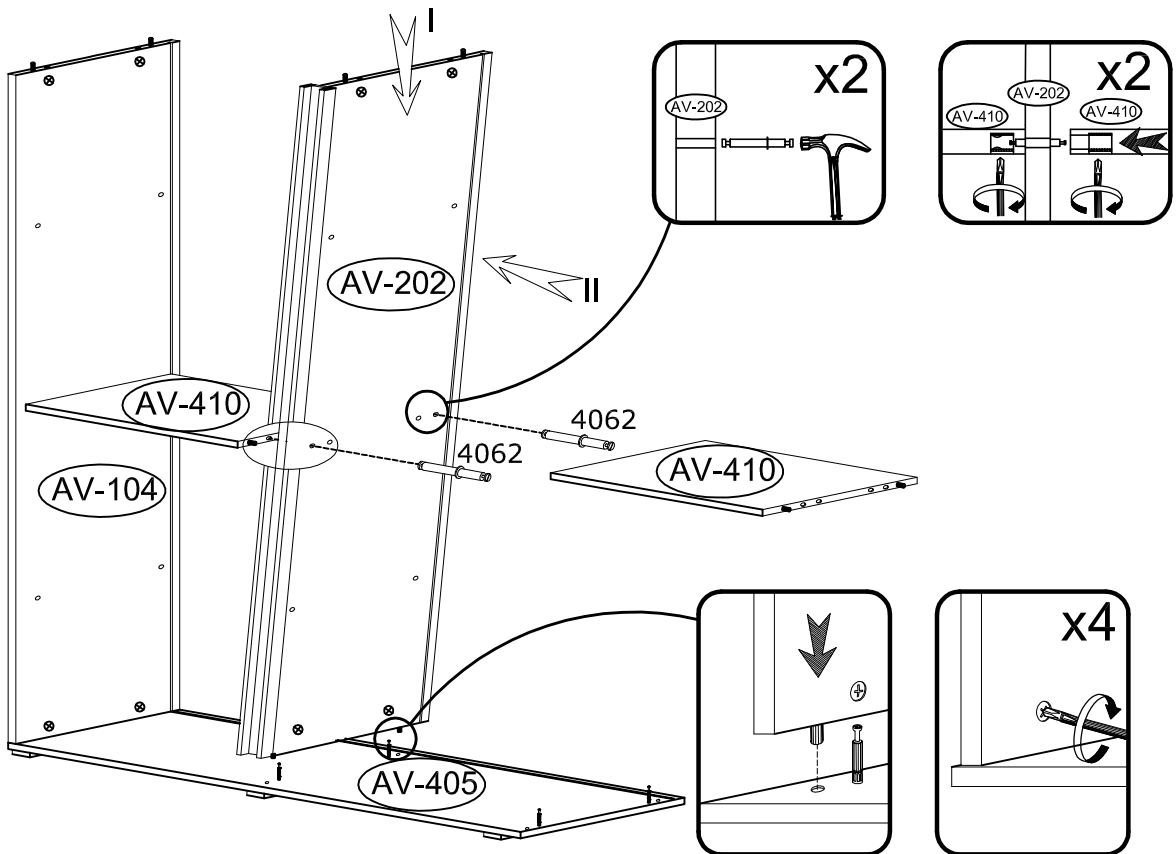
x2



11



12

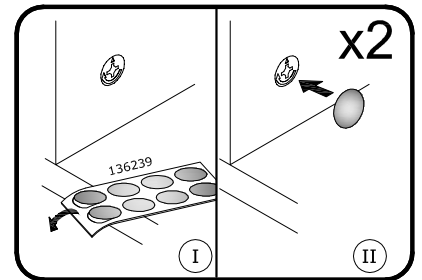
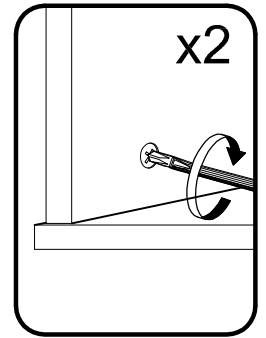
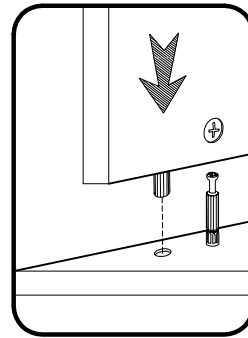
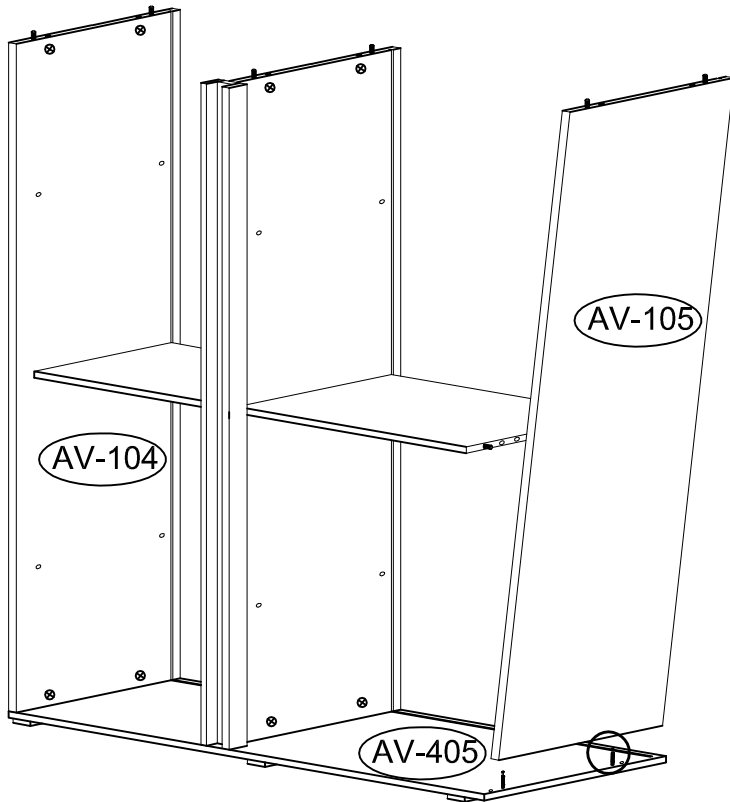


13

136239



x2



14

136239

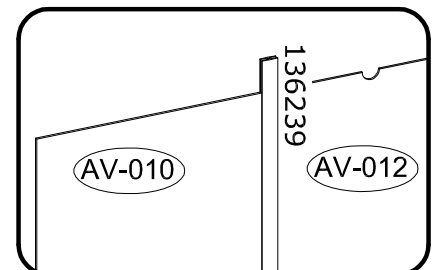
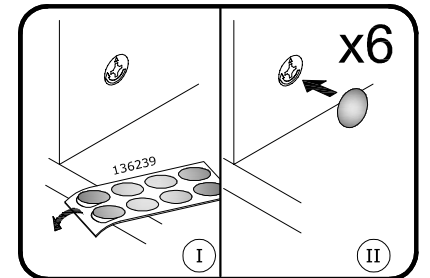
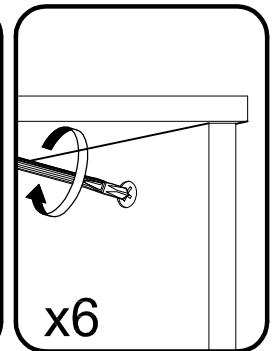
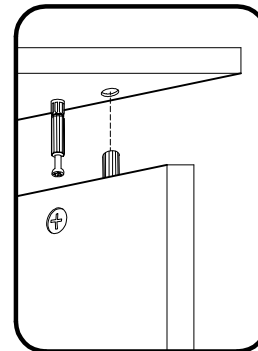
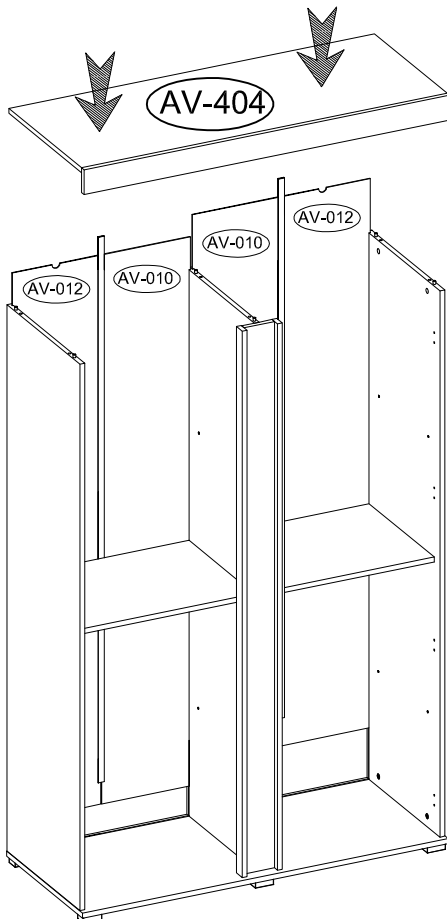


x6

136239

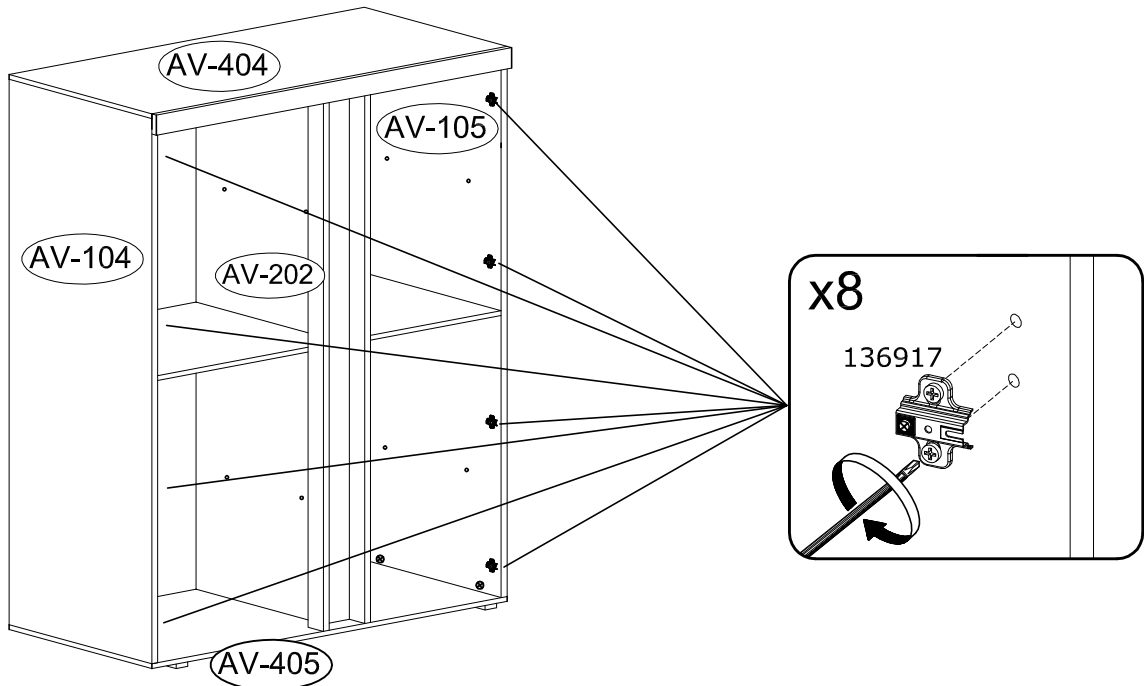
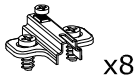


x2



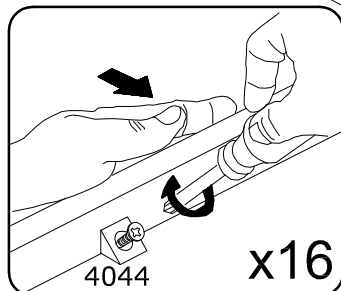
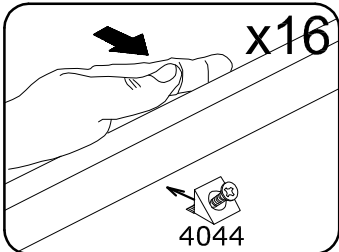
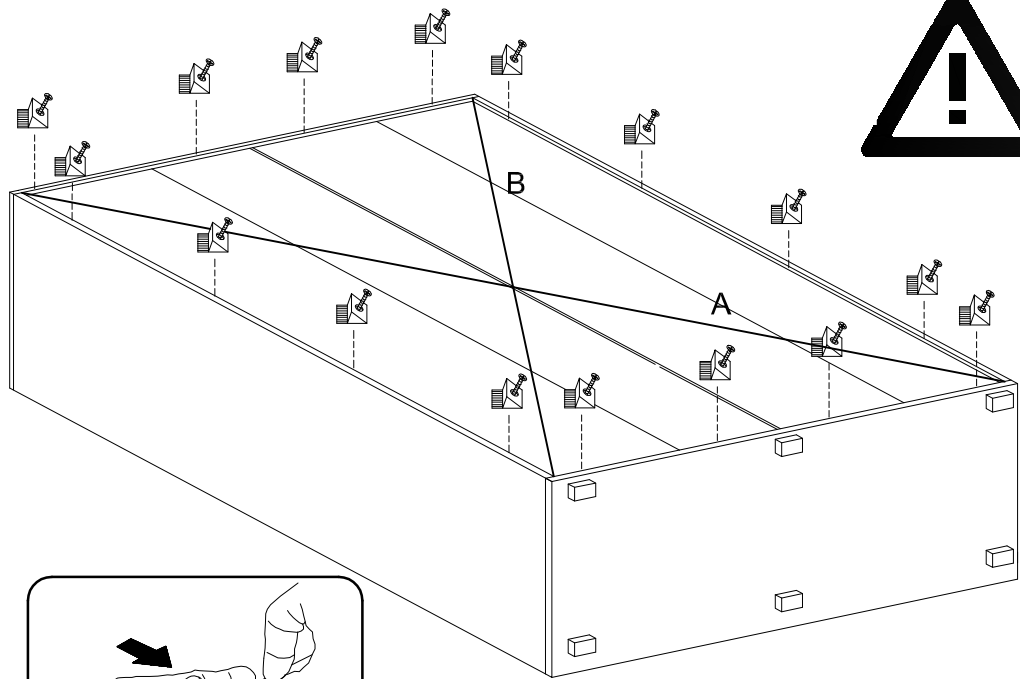
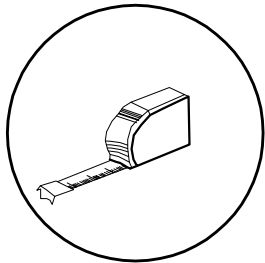
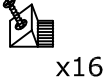
15

136917

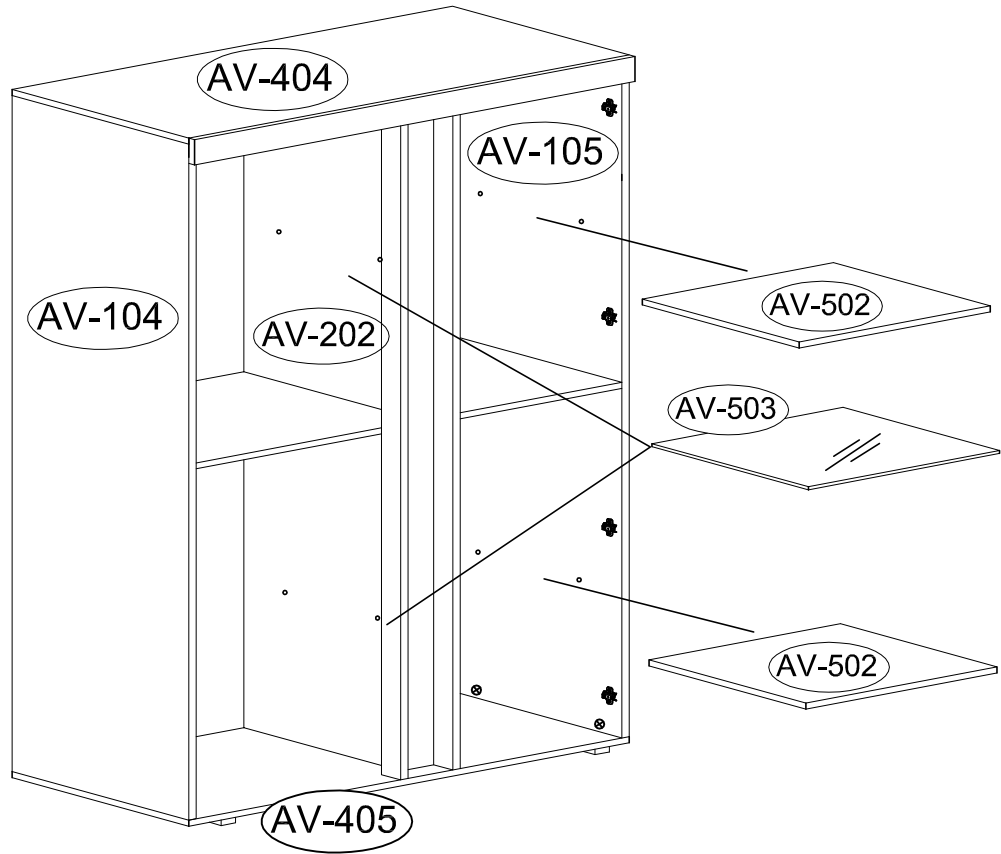


16

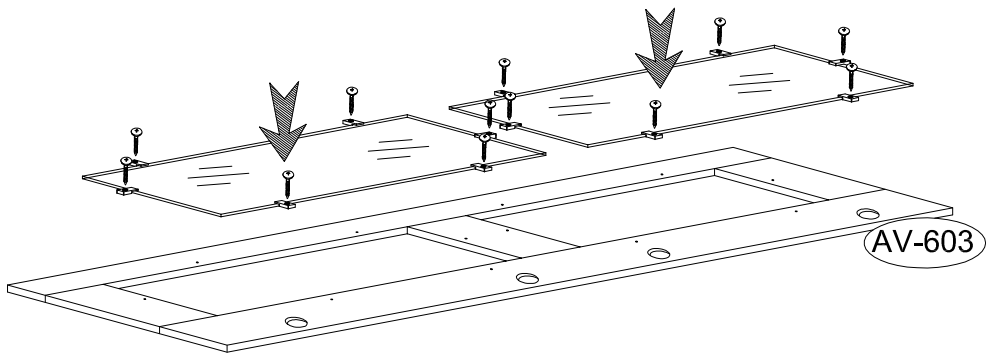
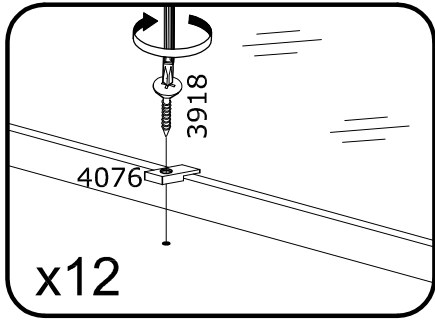
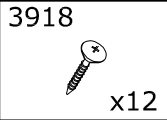
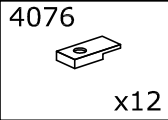
4044



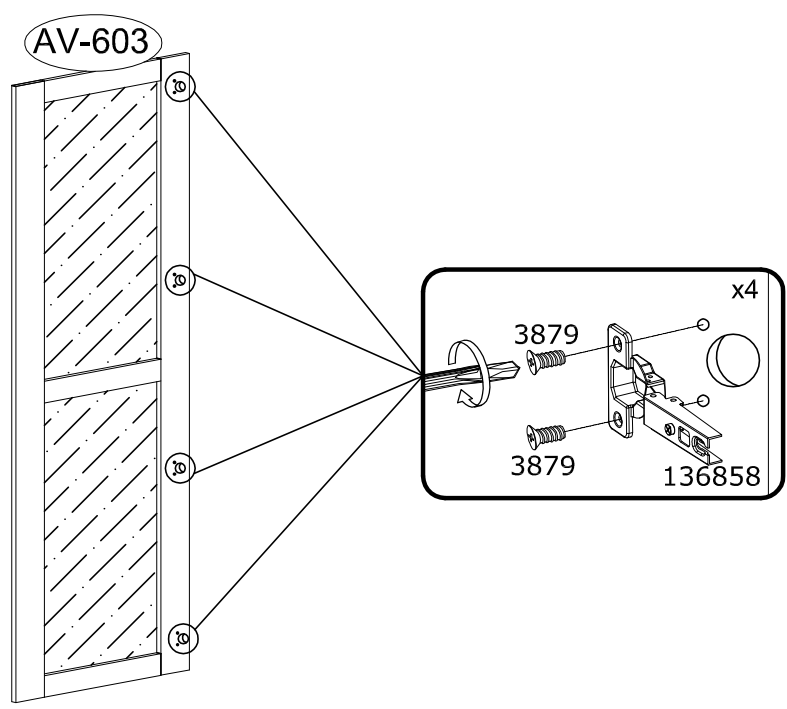
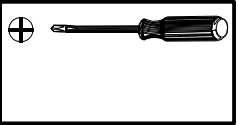
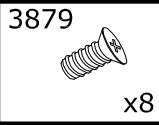
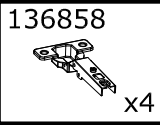
17



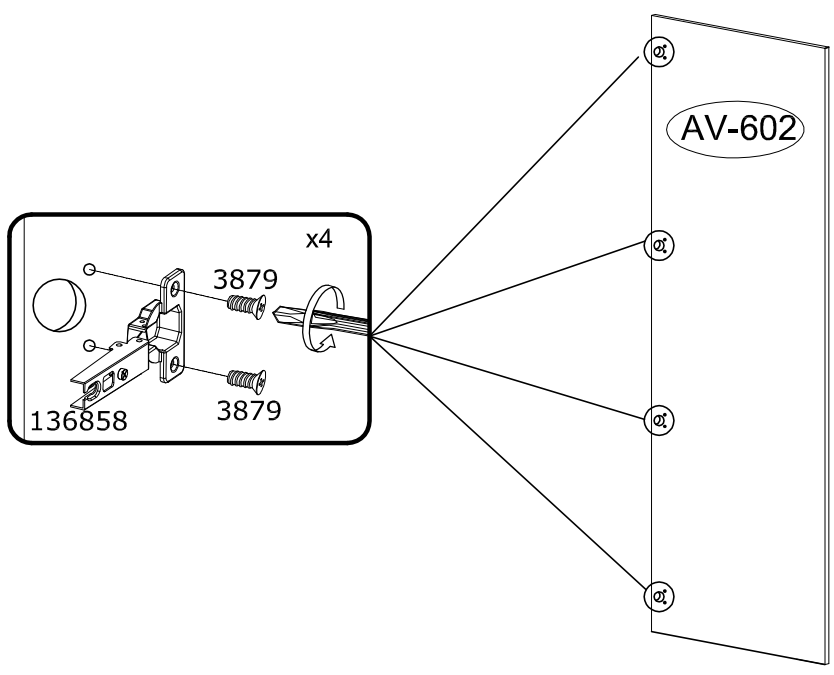
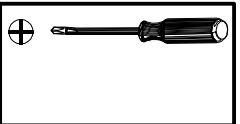
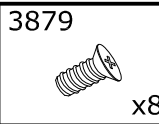
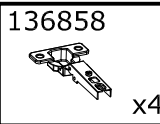
18

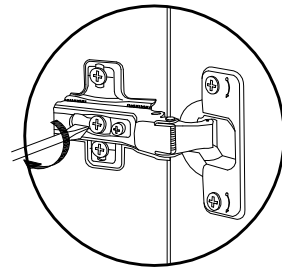
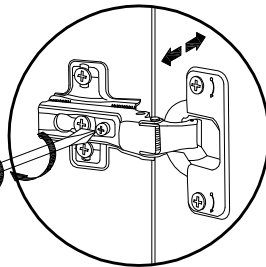
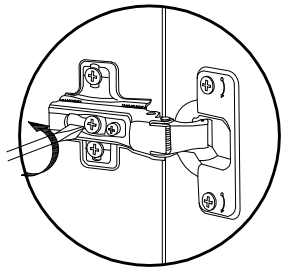
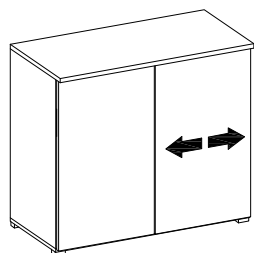
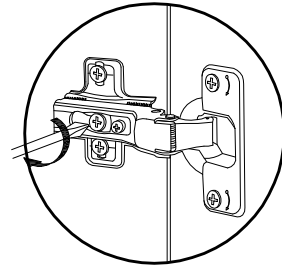
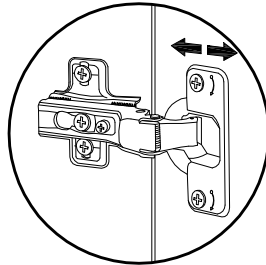
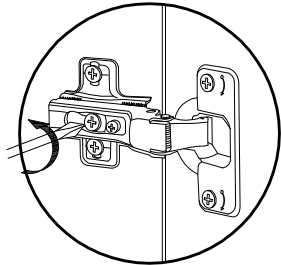
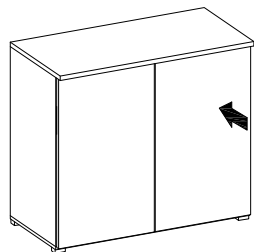
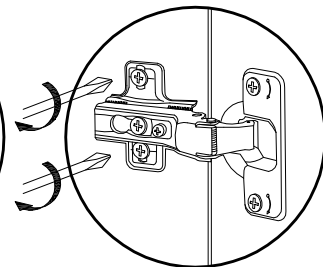
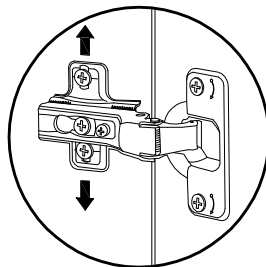
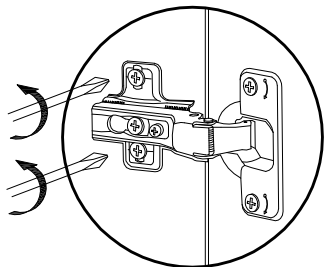
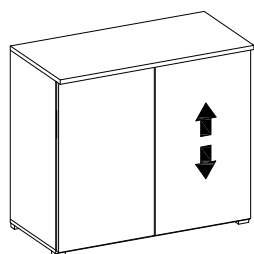
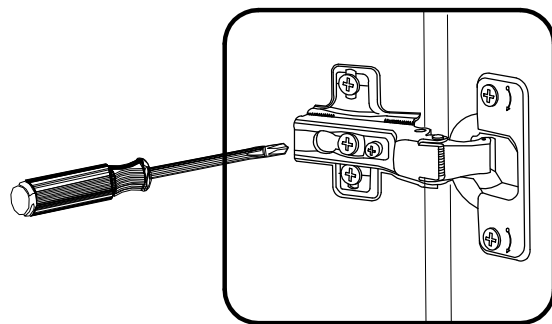
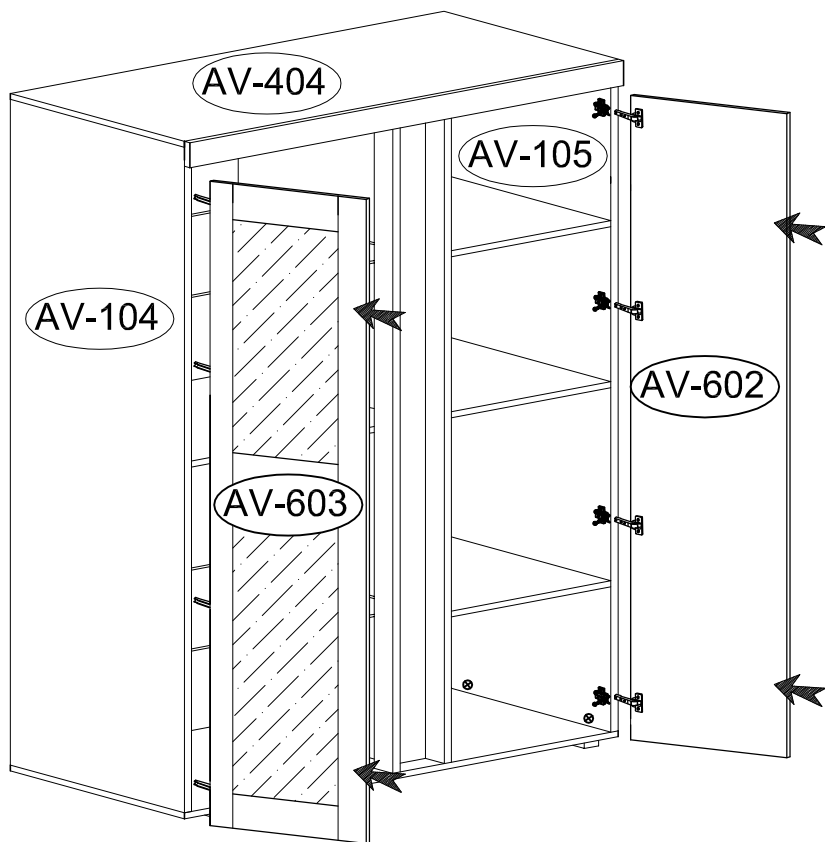


19



20





3918

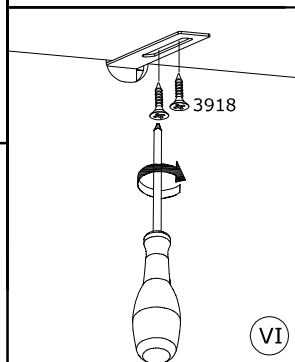
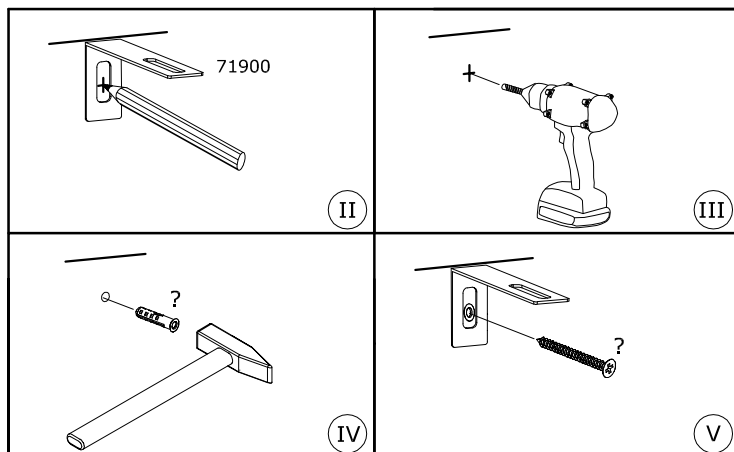
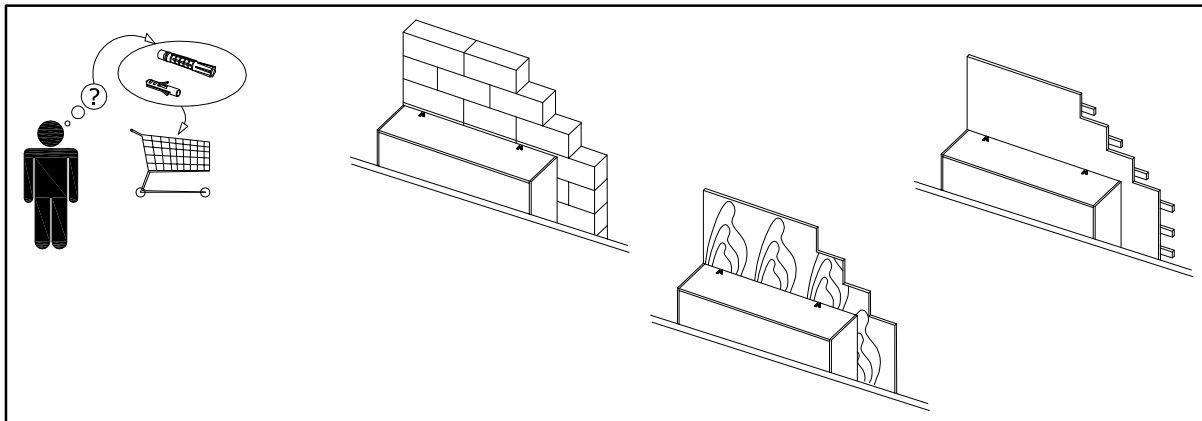
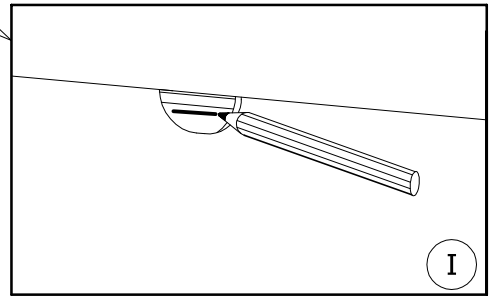
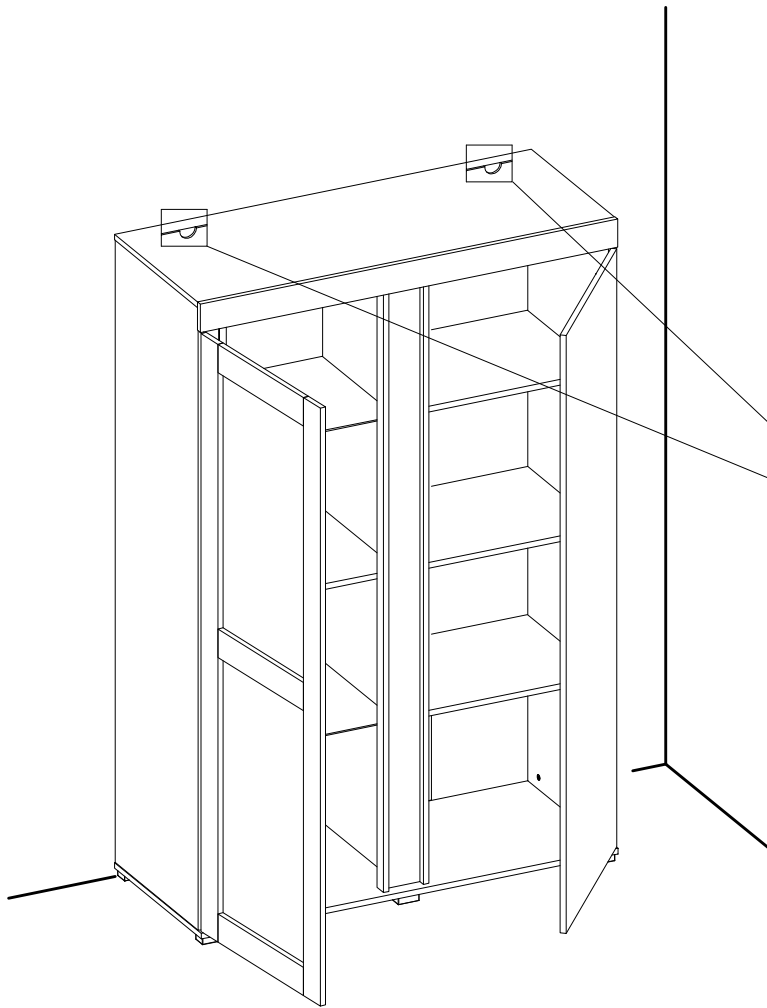
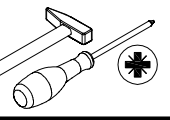
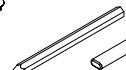


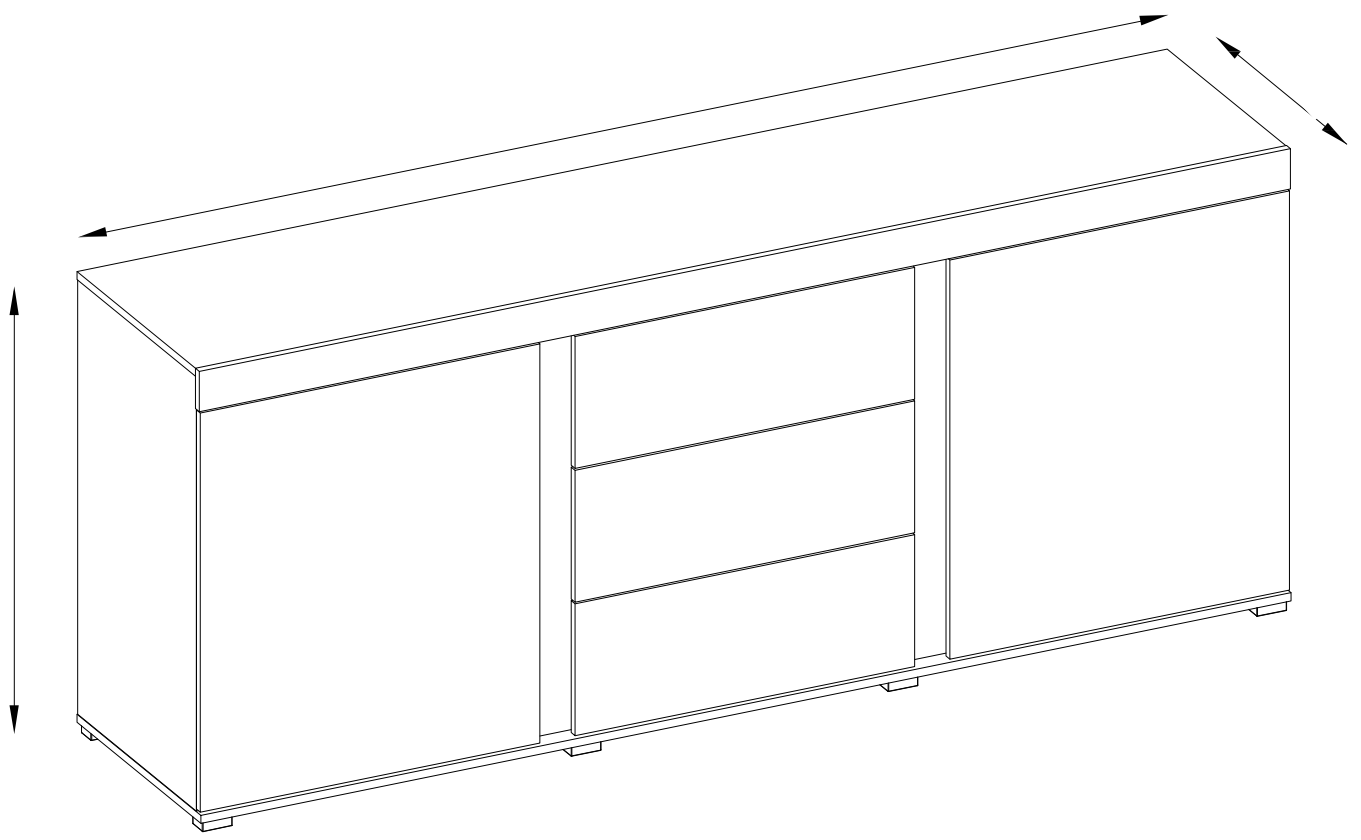
x4

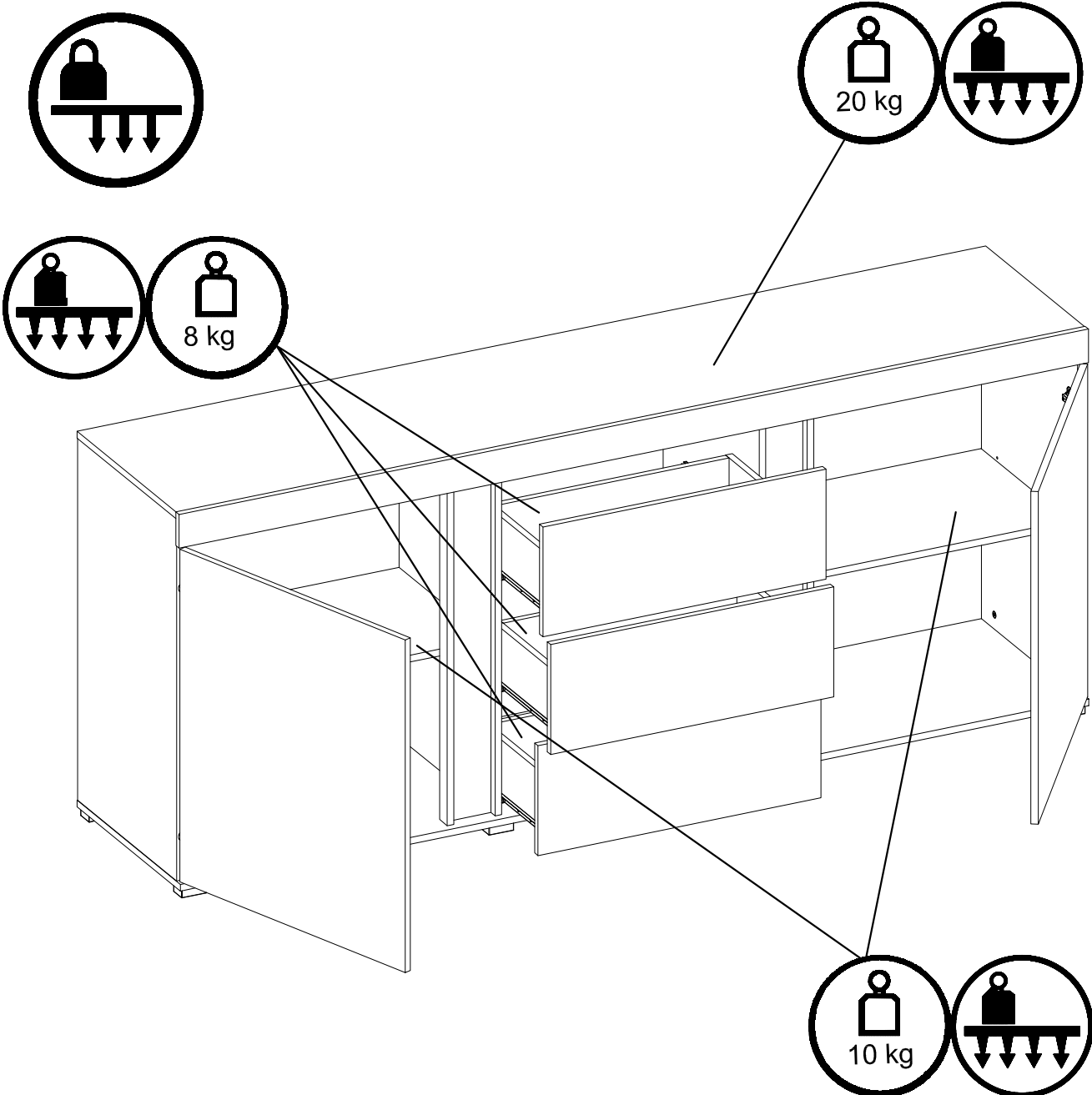
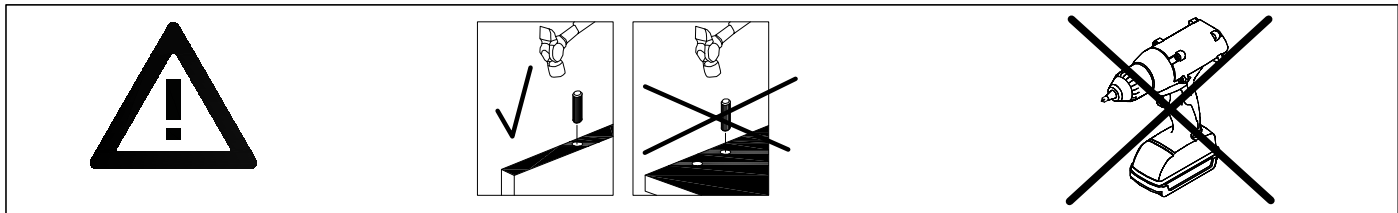
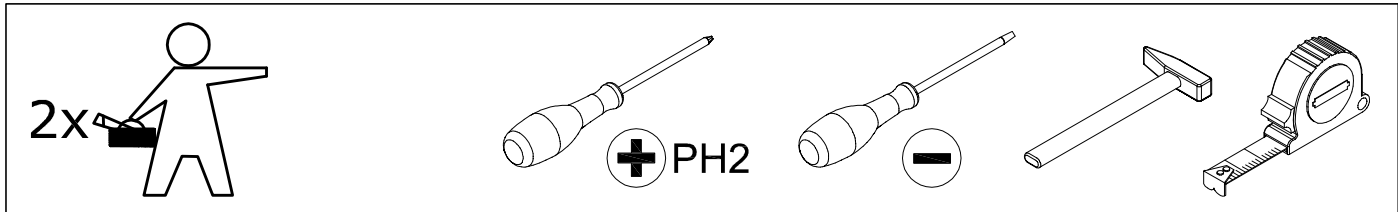
71900

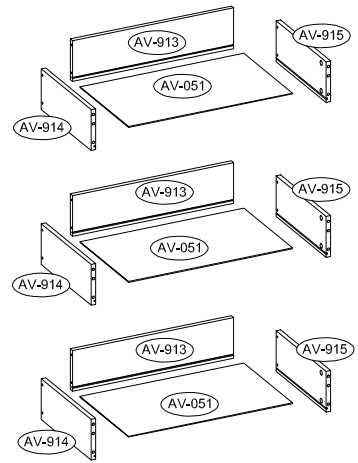
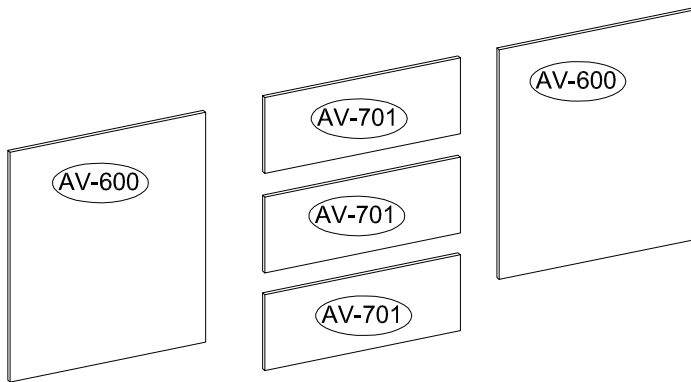
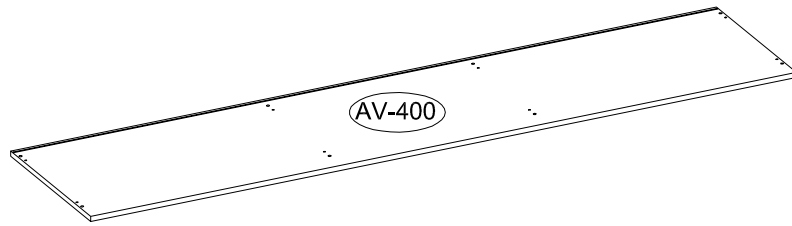
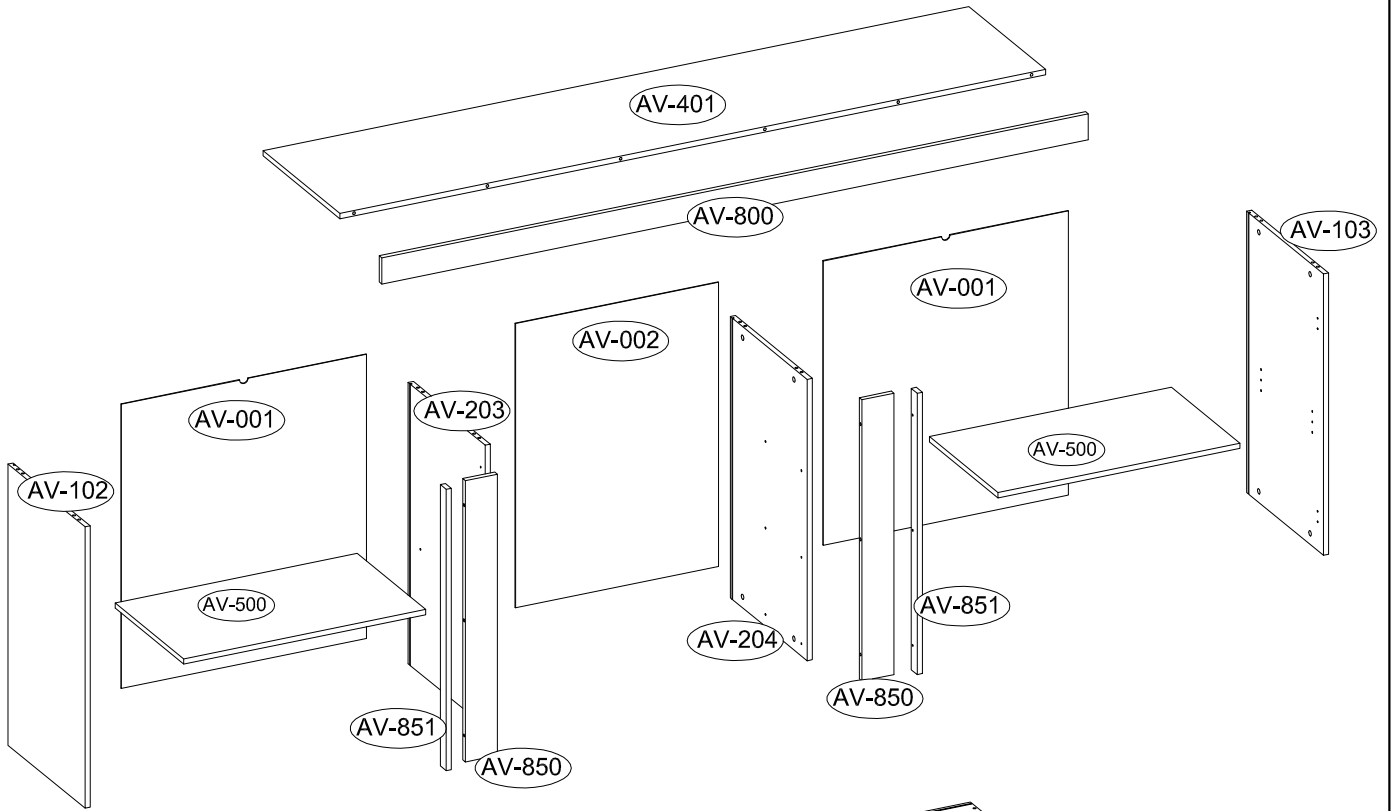


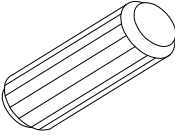
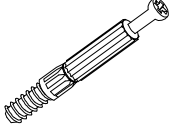

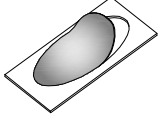

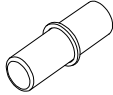
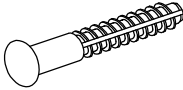



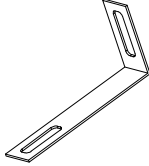

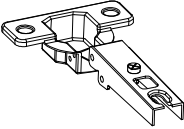
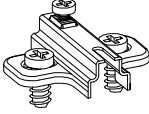
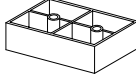
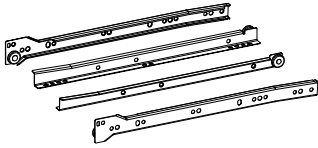
x2









<p>3989</p>  <p>Ø8x30mm x22</p>	<p>4066</p>  <p>Ø6.5x36.5mm x46</p>	<p>3996</p>  <p>x46</p>	<p>136239</p>  <p>Ø20 x20</p>
<p>4044</p>  <p>x18</p>	<p>4017</p>  <p>x8</p>	<p>IN01157</p>  <p>x12</p>	<p>IN01613</p>  <p>Ø4.0x20mm x16</p>
<p>3879</p>  <p>Ø6.3x13mm x8</p>	<p>3877</p>  <p>Ø6.0x13mm x12</p>	<p>71900</p>  <p>75x15x32 mm x2</p>	<p>3918</p>  <p>Ø3.5x16mm x16</p>
<p>136858</p>  <p>x4</p>	<p>136917</p>  <p>x4</p>	<p>202689</p>  <p>x8</p>	<p>3804</p>  <p>x3 KPL</p>

1

4066



x8

IN01613

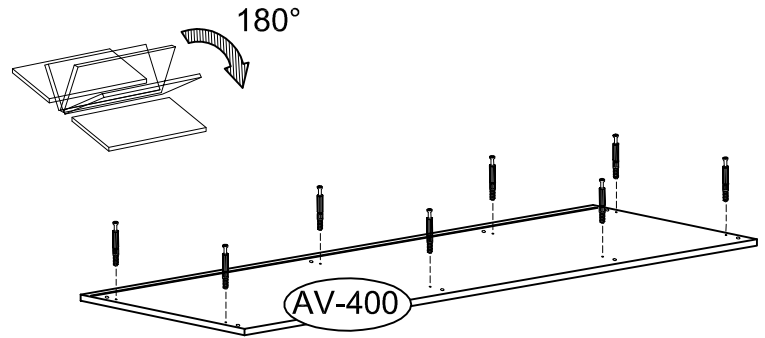
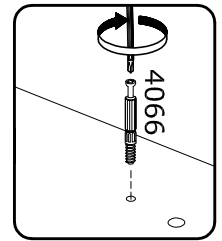
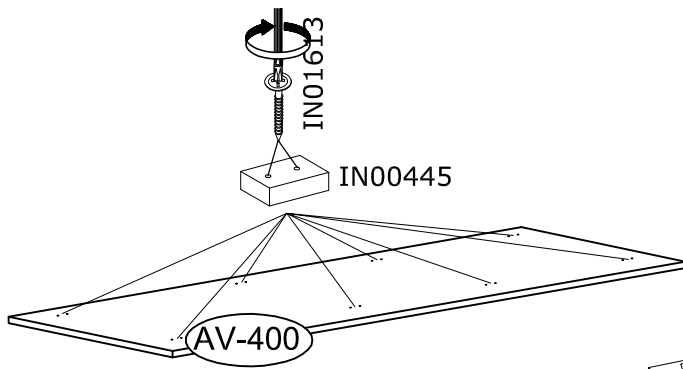


x16

IN00445



x8



2

3996



x8

3989



x8

4017

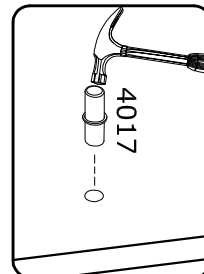
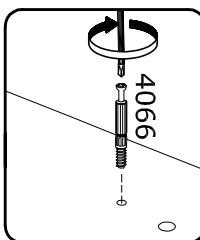
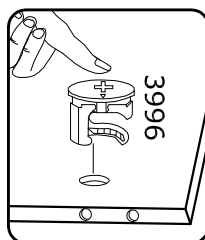
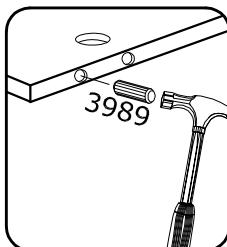
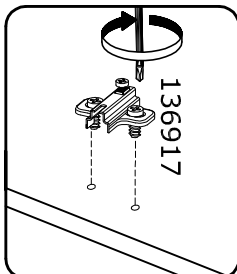
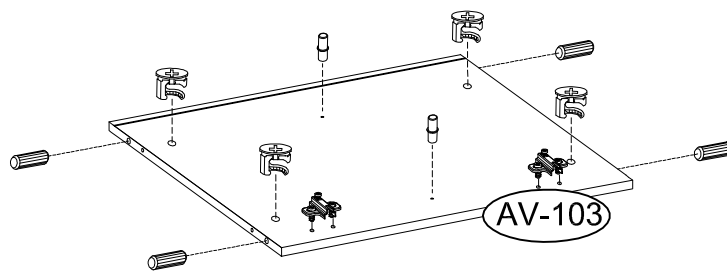
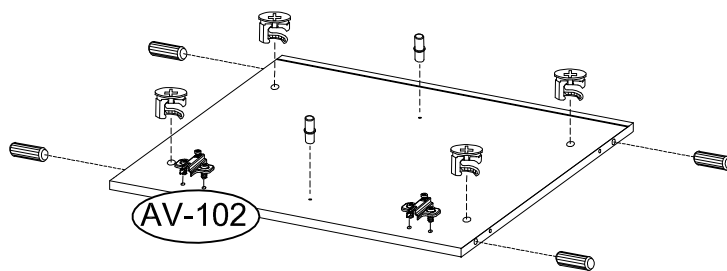


x4

136917



x4



3

4066



x3

3996



x4

3989



x4

4017



x2

3804-2

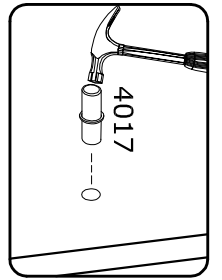
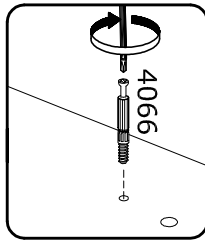
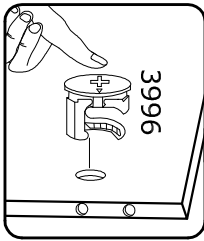
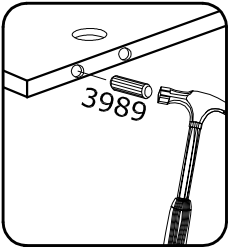
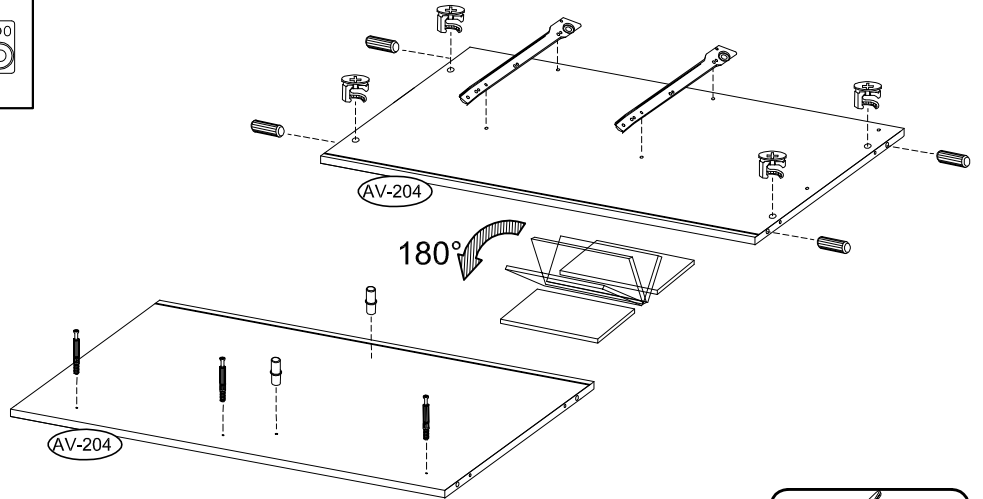
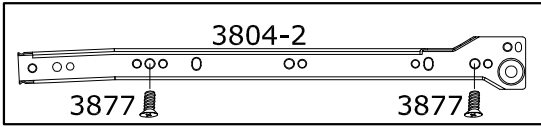
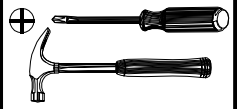


x2

3877



x4



4

4066



x3

3996



x4

3989



x4

4017



x2

3804-1

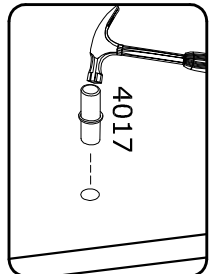
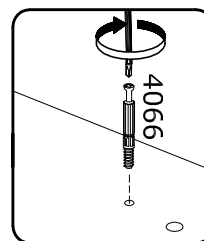
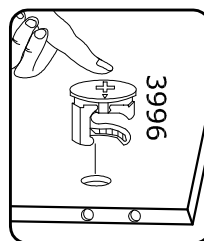
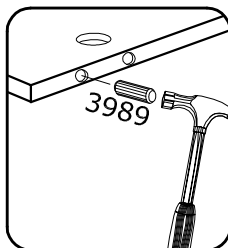
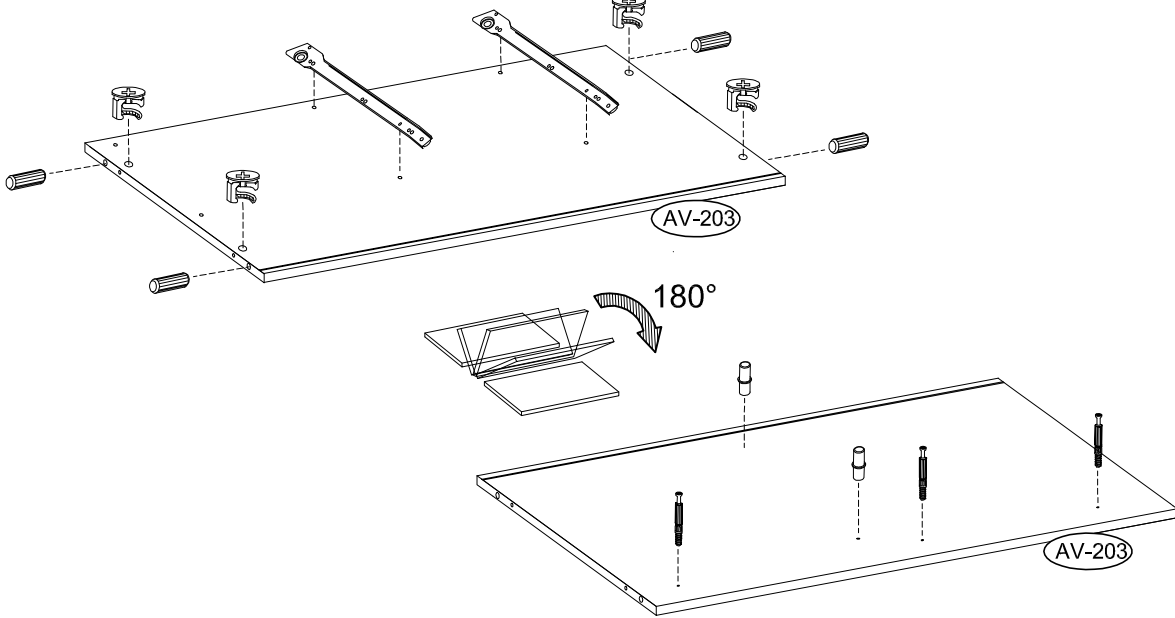


x2

3877



x4



5

4066



x6

3996

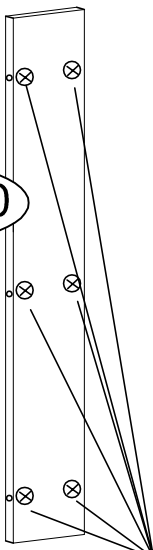


x12



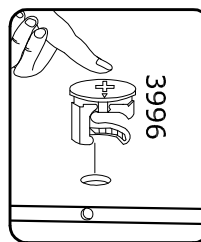
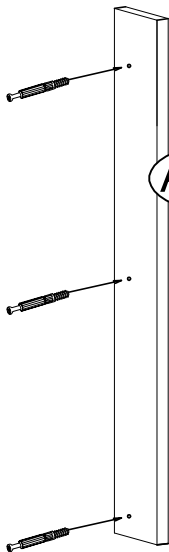
x2

AV-850

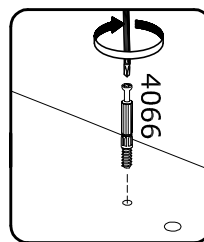


x2

AV-851



3996



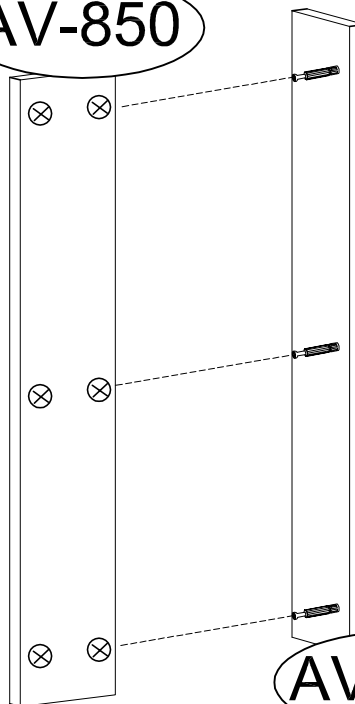
4066

6

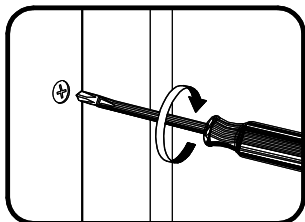
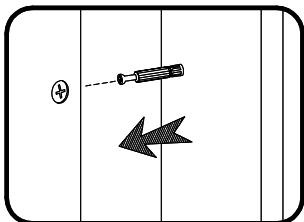


x2

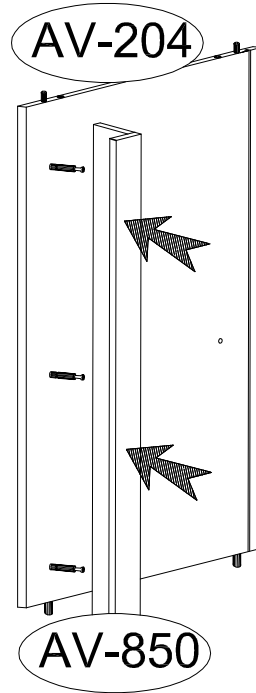
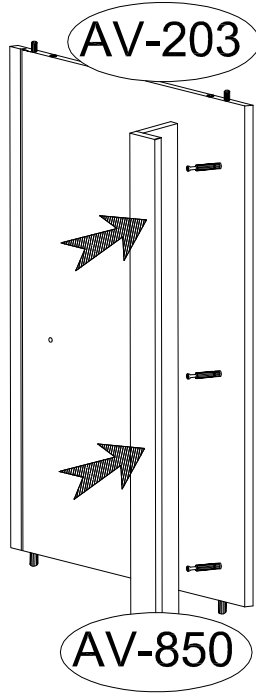
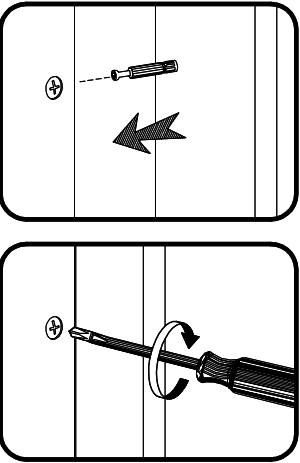
AV-850



AV-851

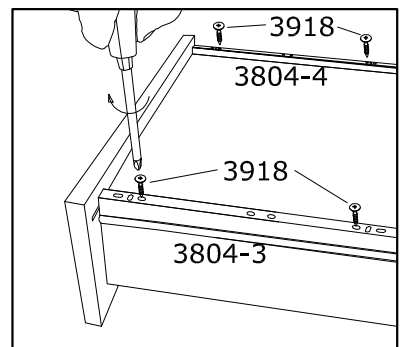
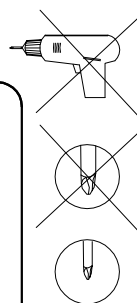
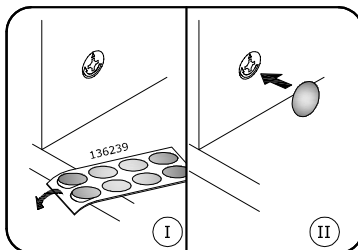
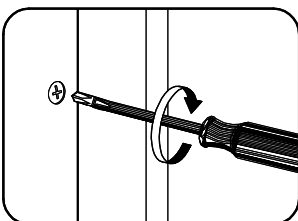
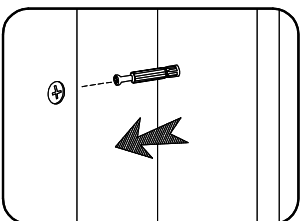
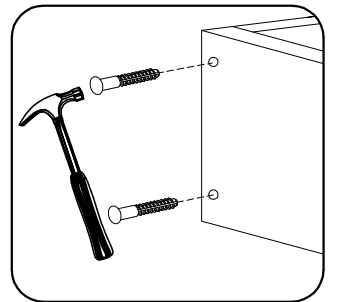
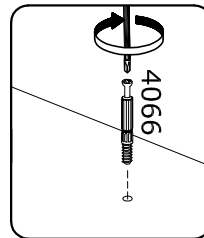
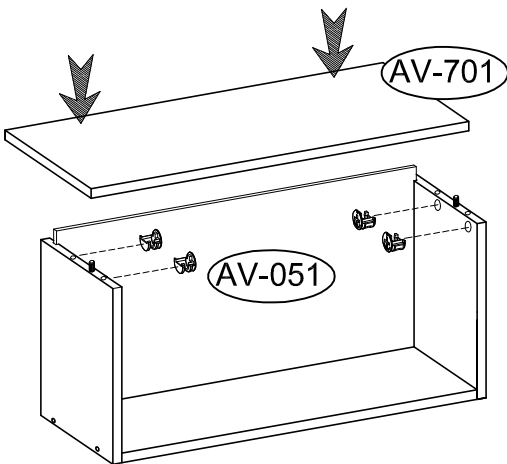
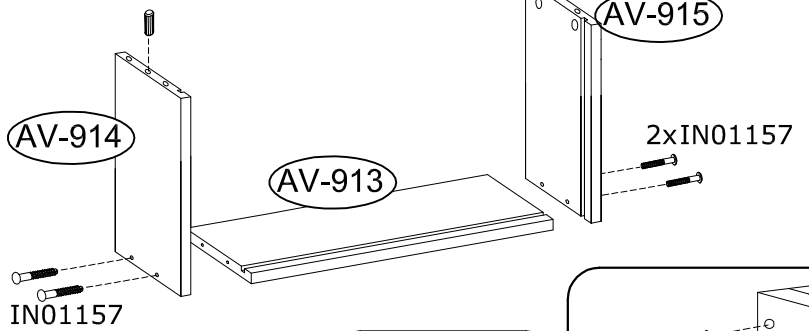
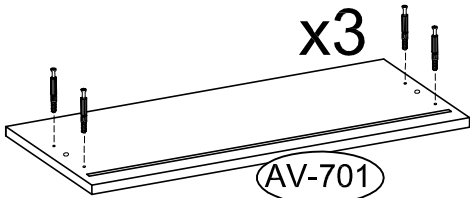


7



8

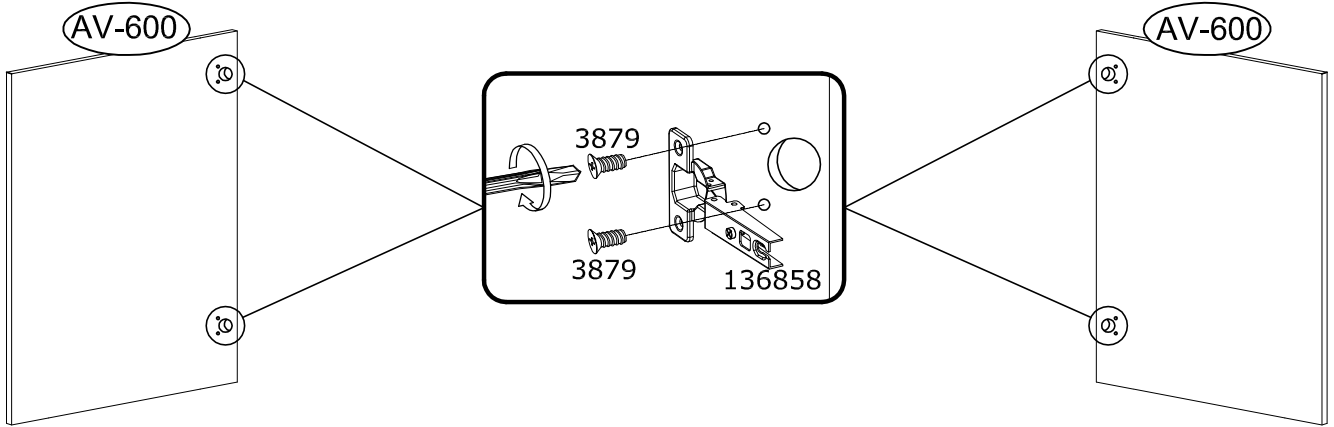
3989 x6	IN01157 x12	3918 x12	4066 x12	3804-3 x3	3804-4 x3	3996 x12	
136239 x12							



9

136858
x4

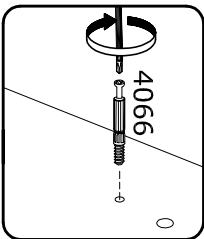
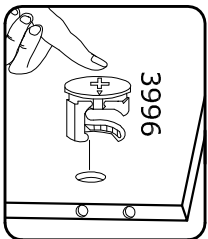
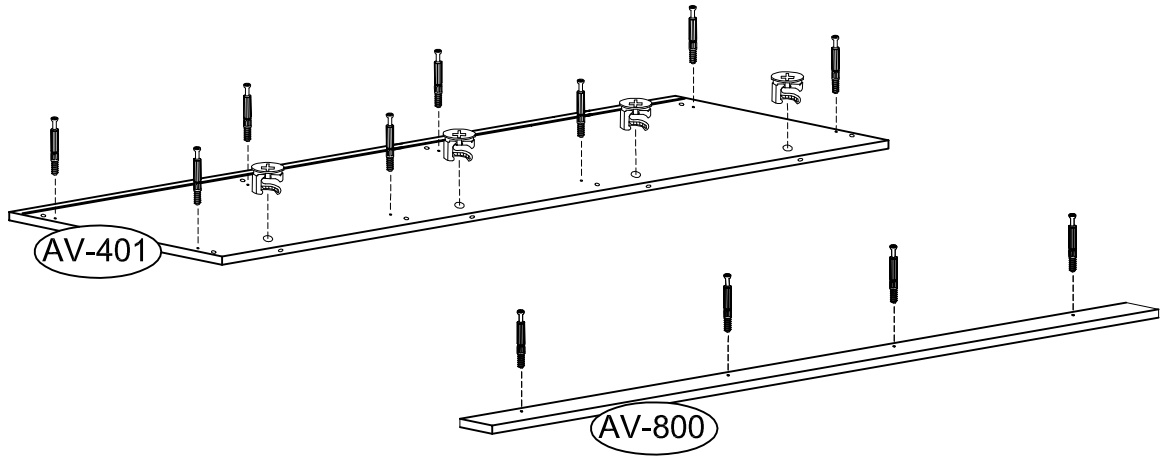
3879
x8



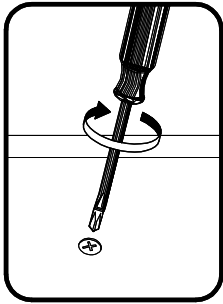
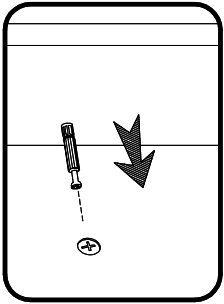
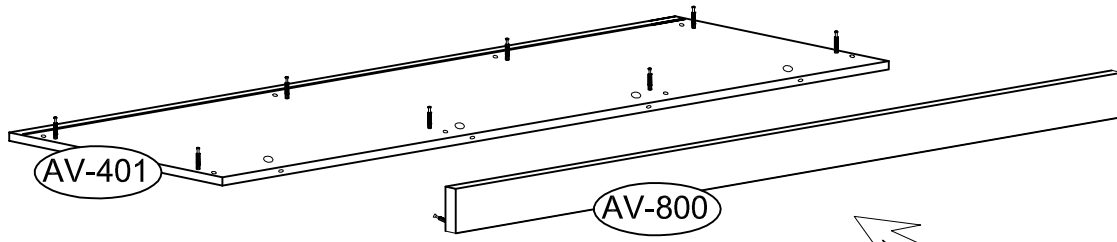
10

4066
x12

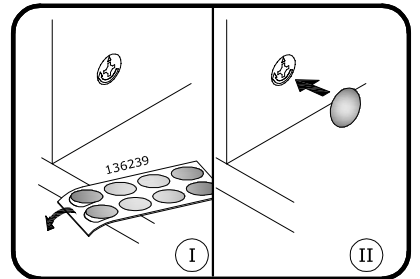
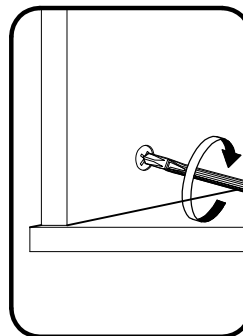
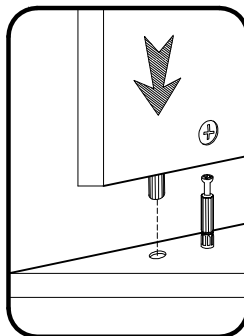
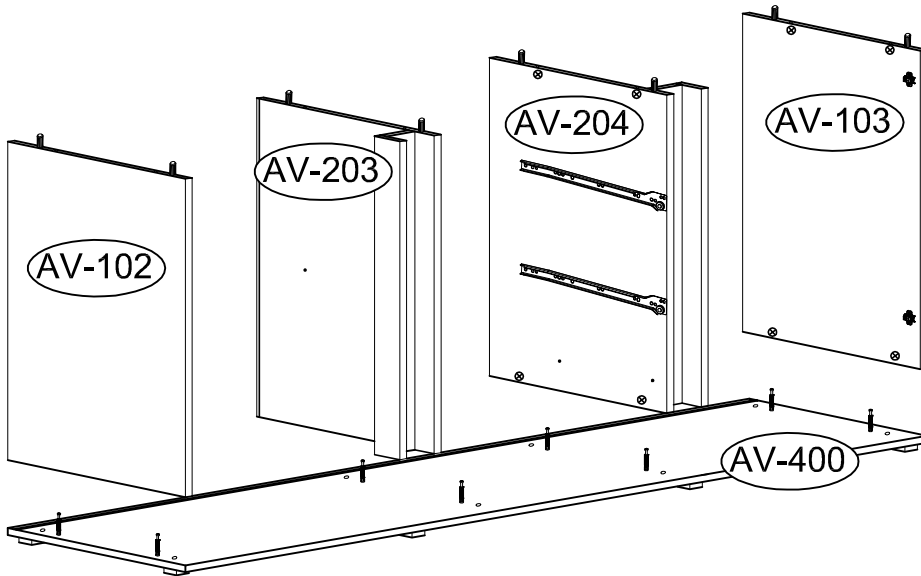
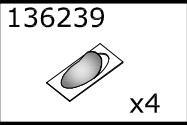
3996
x4



11



12

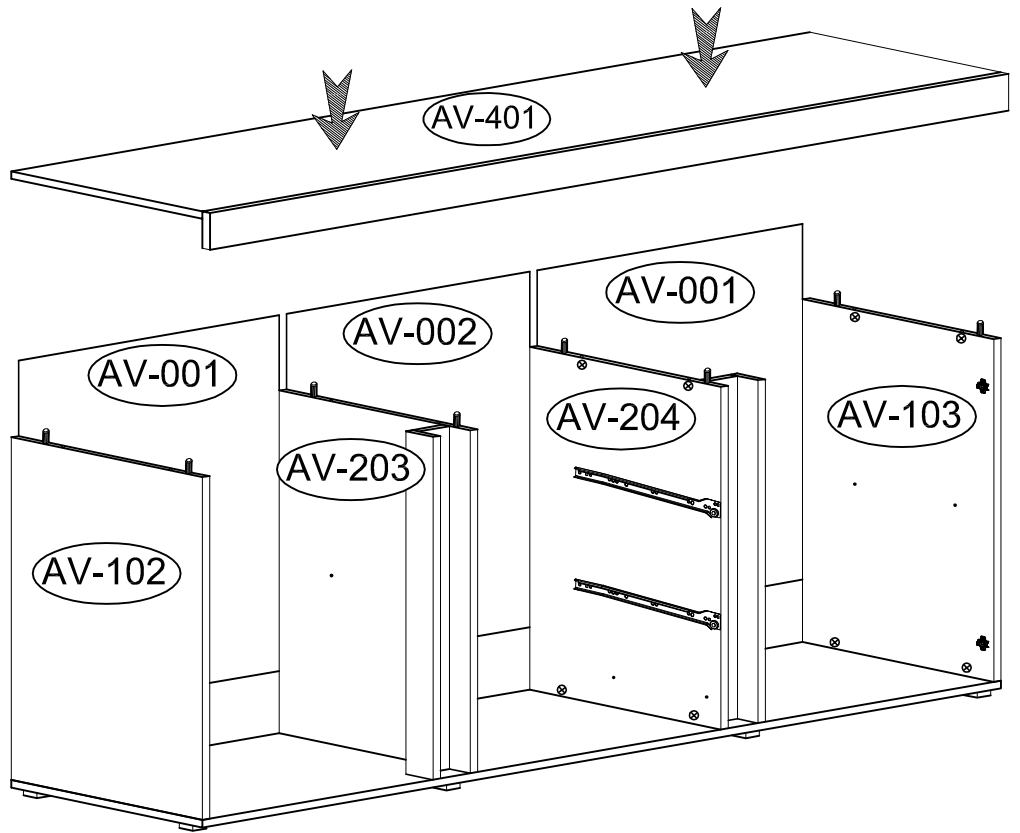
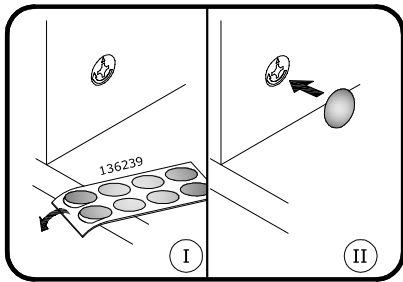
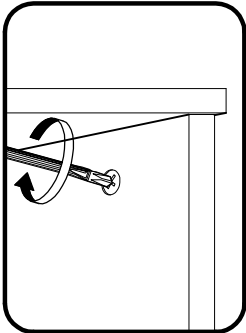
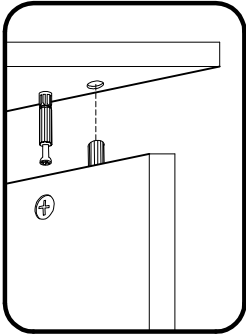


13

136239



x4

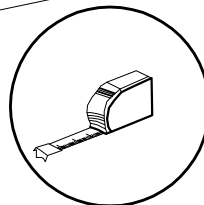
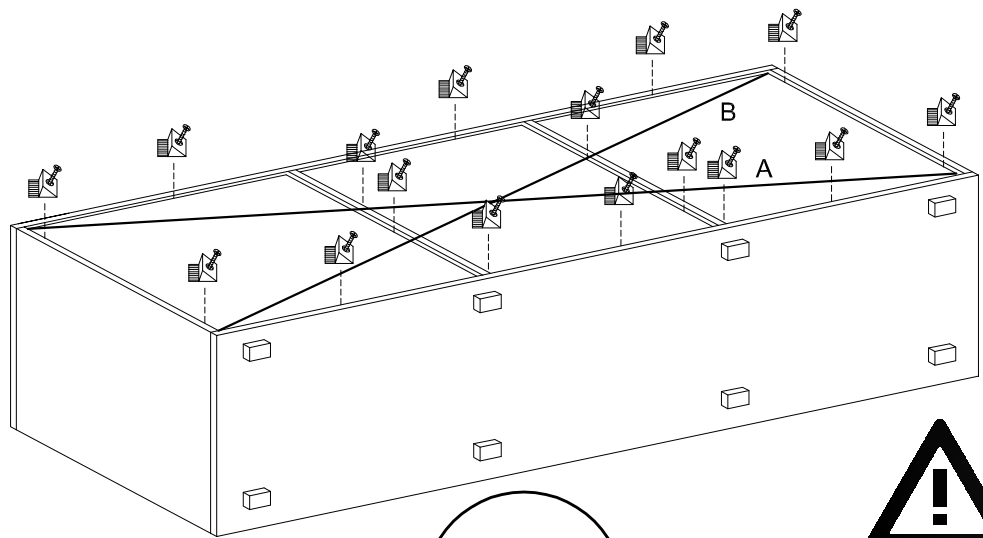
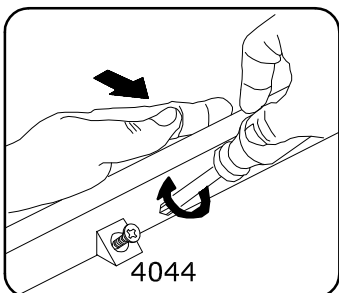
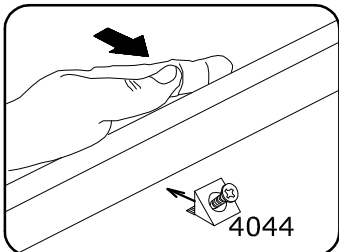


14

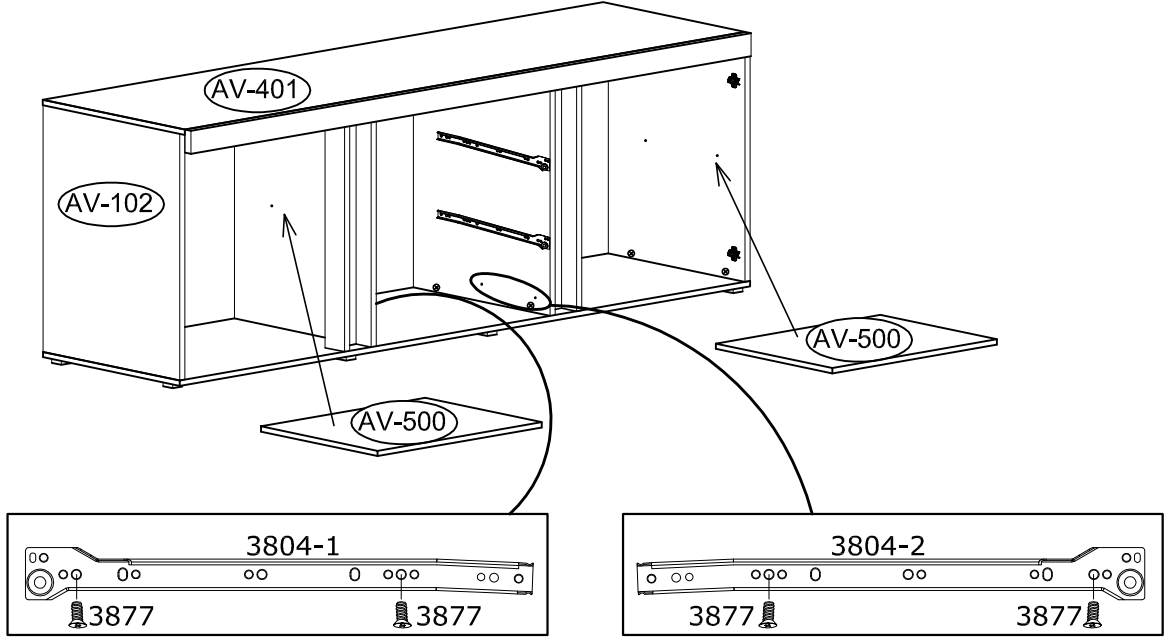
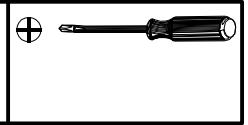
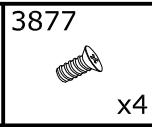
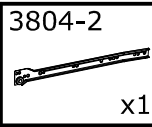
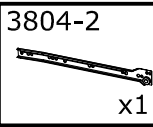
4044



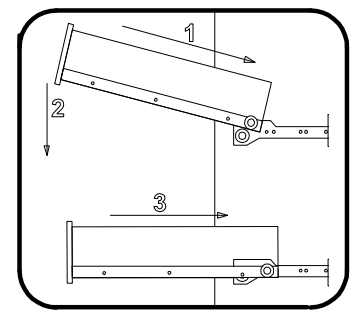
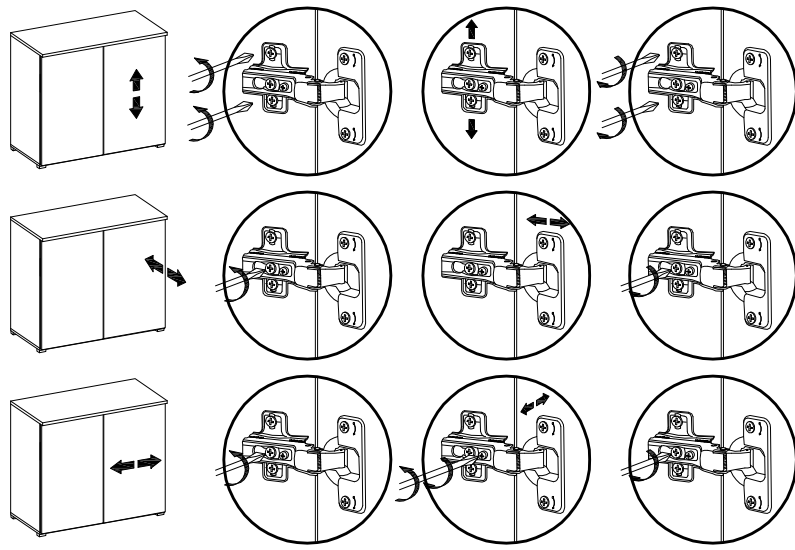
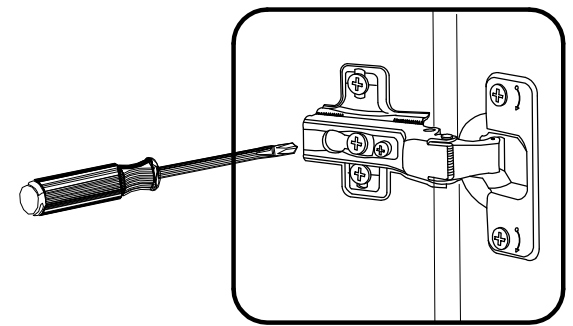
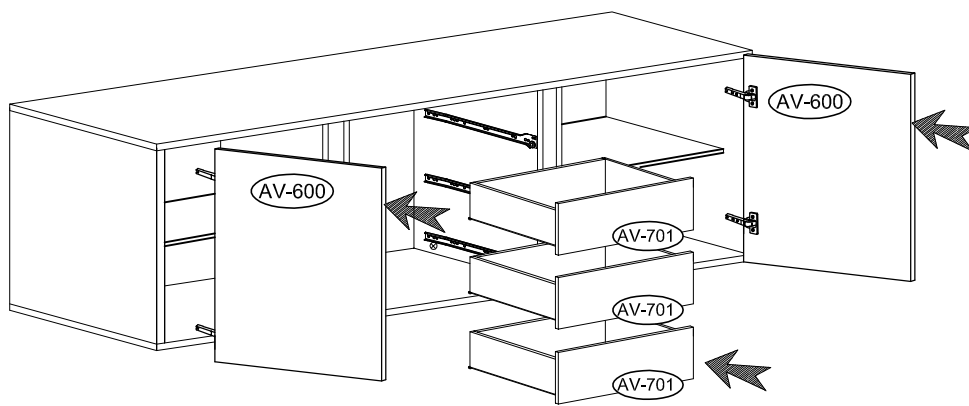
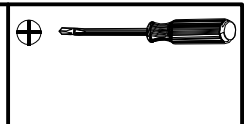
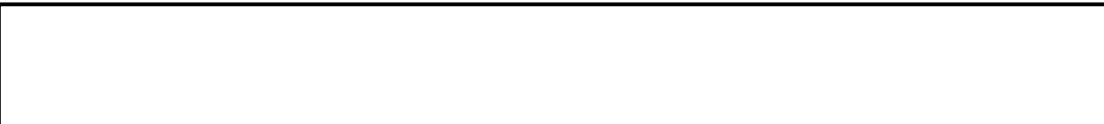
x18



15



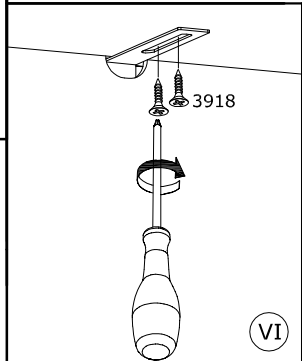
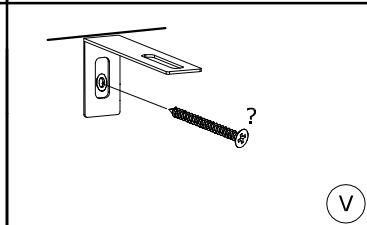
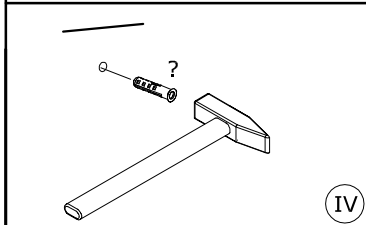
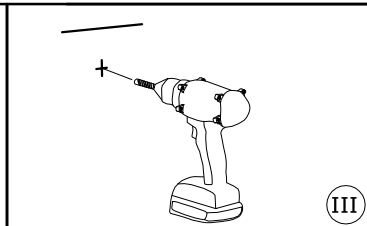
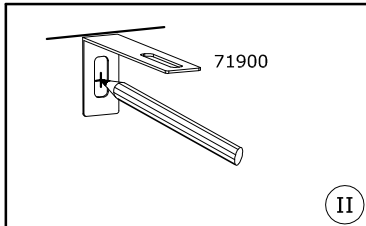
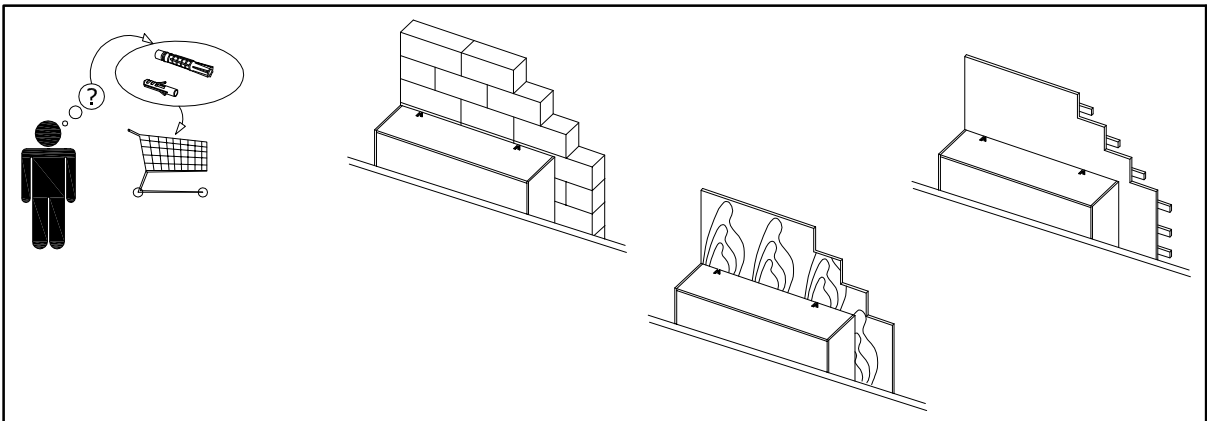
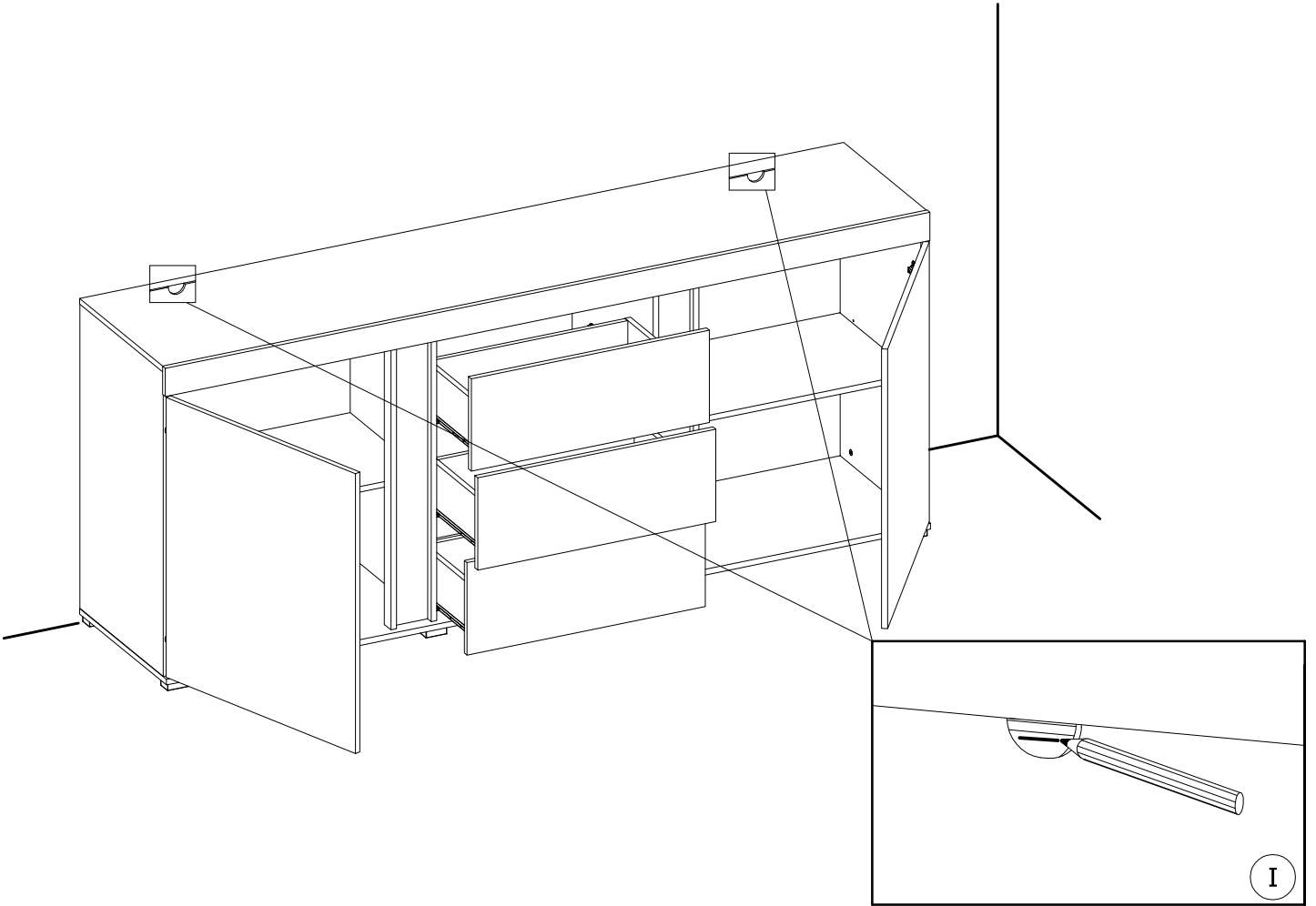
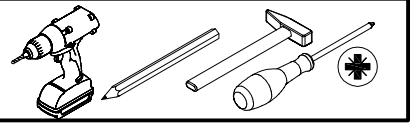
16

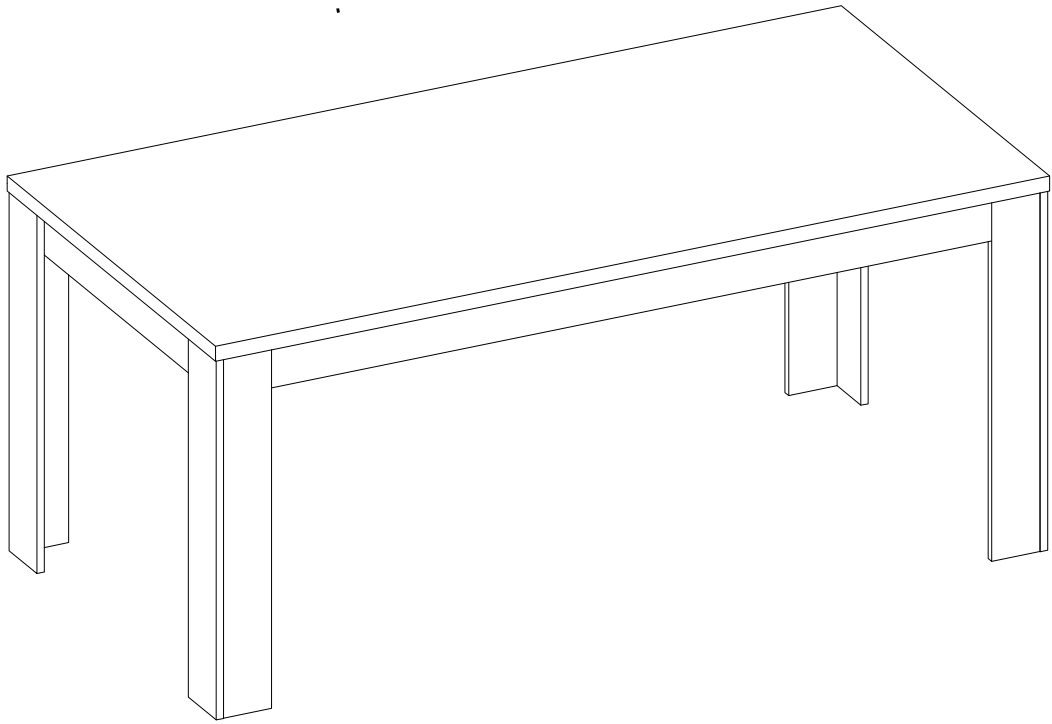


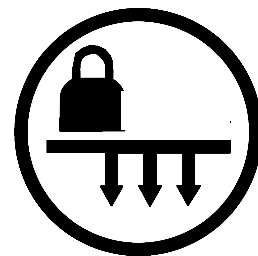
3918



71900







SY-400

SY-401

SY-128

SY-120

SY-129

SY-128

SY-120

SY-129

SY-171

SY-173

SY-172

SY-170

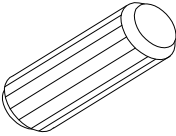

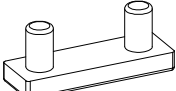
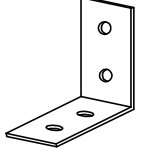

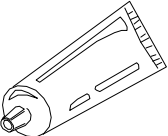
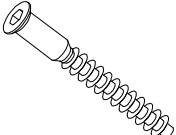
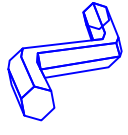
SY-170

SY-173


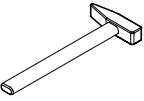
SY-171

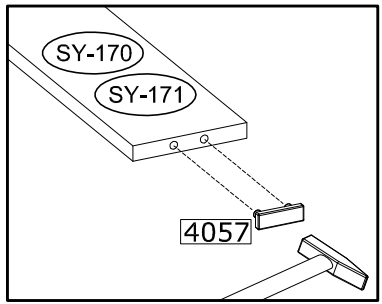
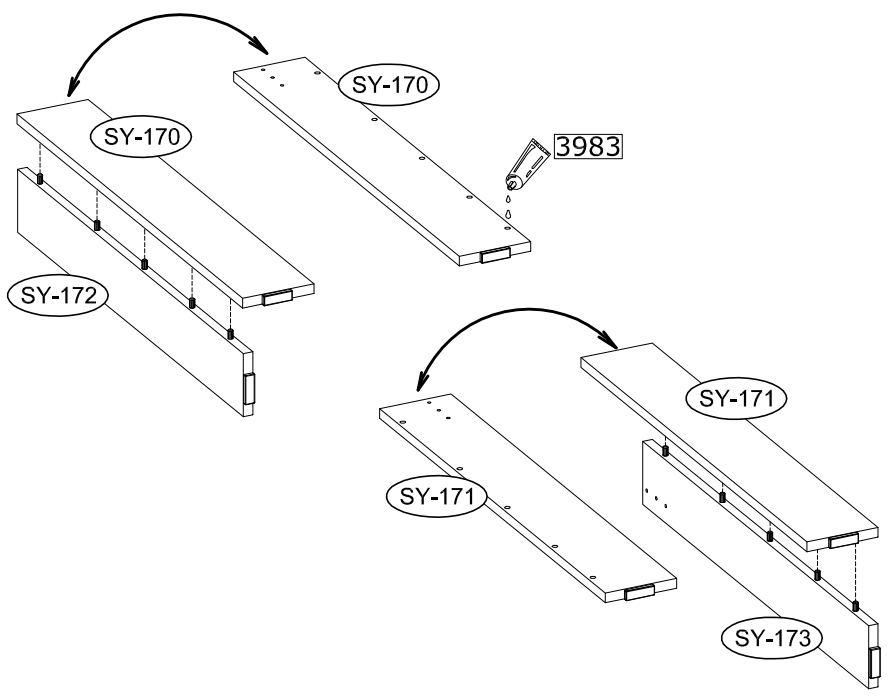
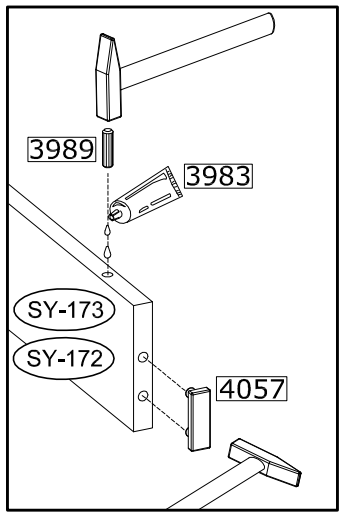
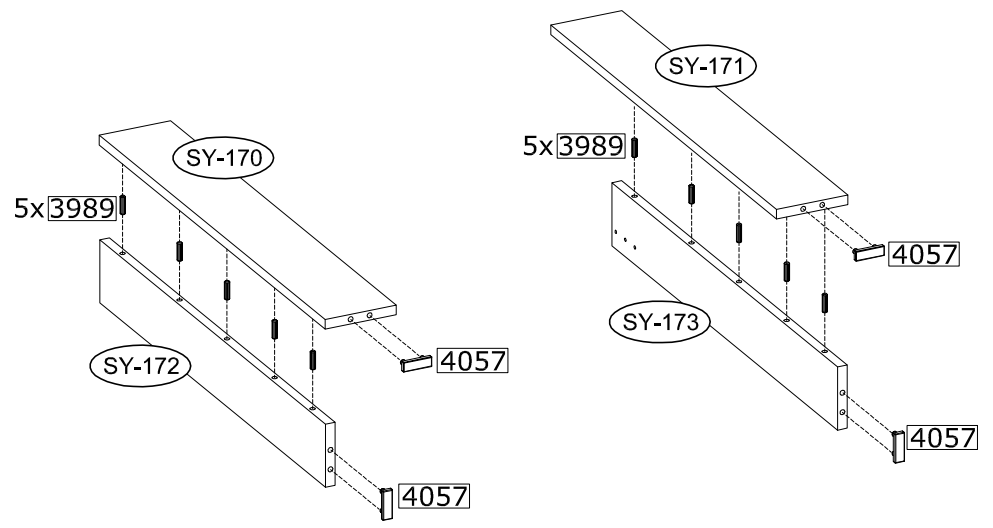
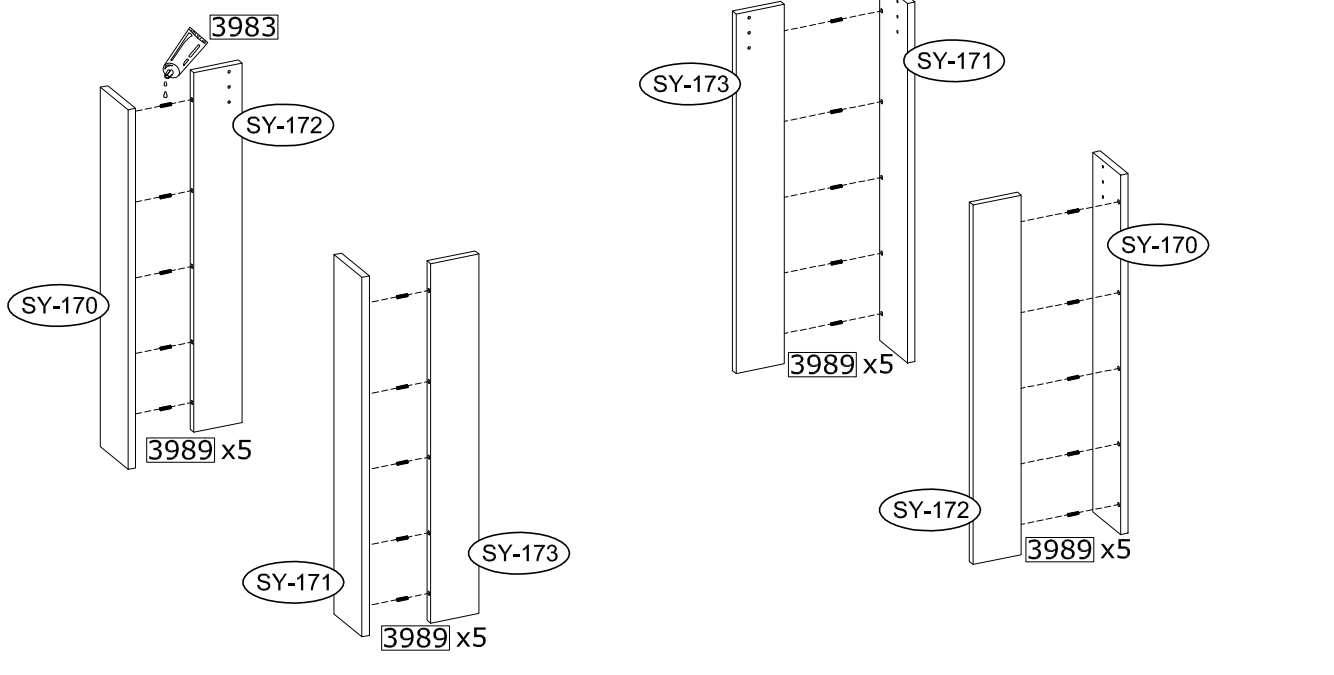
SY-172

05	SY-400	SY-129
06	SY-401	SY-120

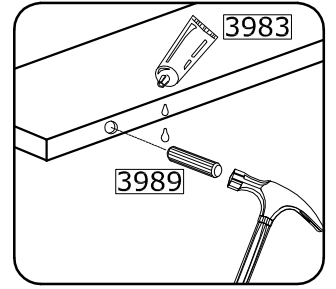
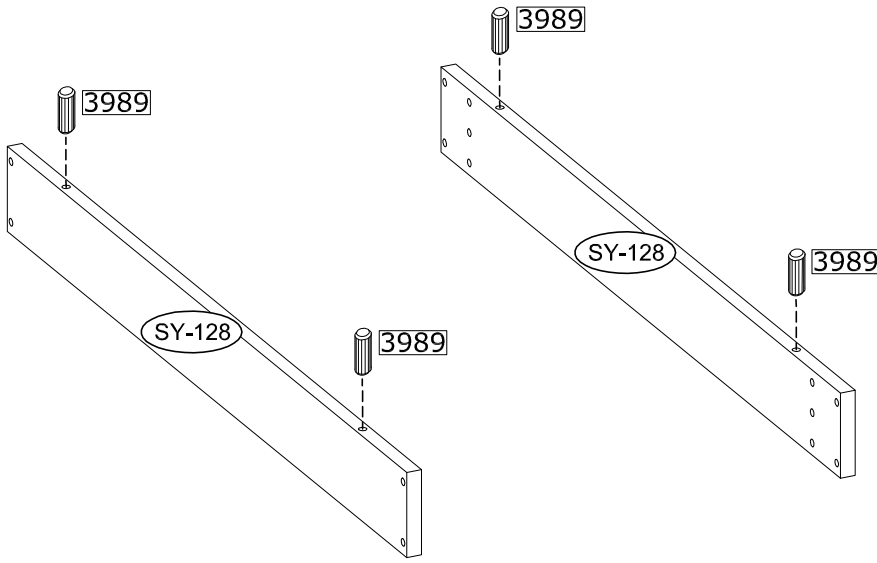
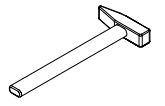
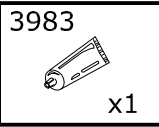
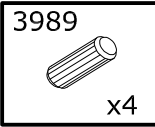
<p>3989</p>  <p>Ø8x30mm x24</p>	<p>IN01617</p>  <p>Ø6.3x26mm x24</p>	<p>4057</p>  <p>x8</p>	<p>3981</p>  <p>40x40x18 mm x8</p>
<p>3918</p>  <p>Ø3,5x16mm x32</p>	<p>3983</p>  <p>x3</p>	<p>3884</p>  <p>Ø6,4 mm/50mm x8</p>	<p>3984</p>  <p>x1</p>

1

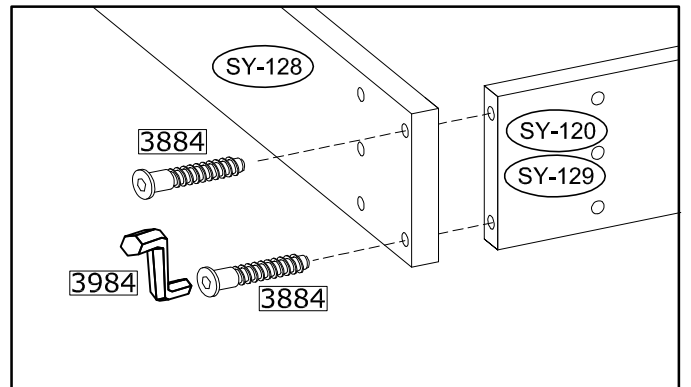
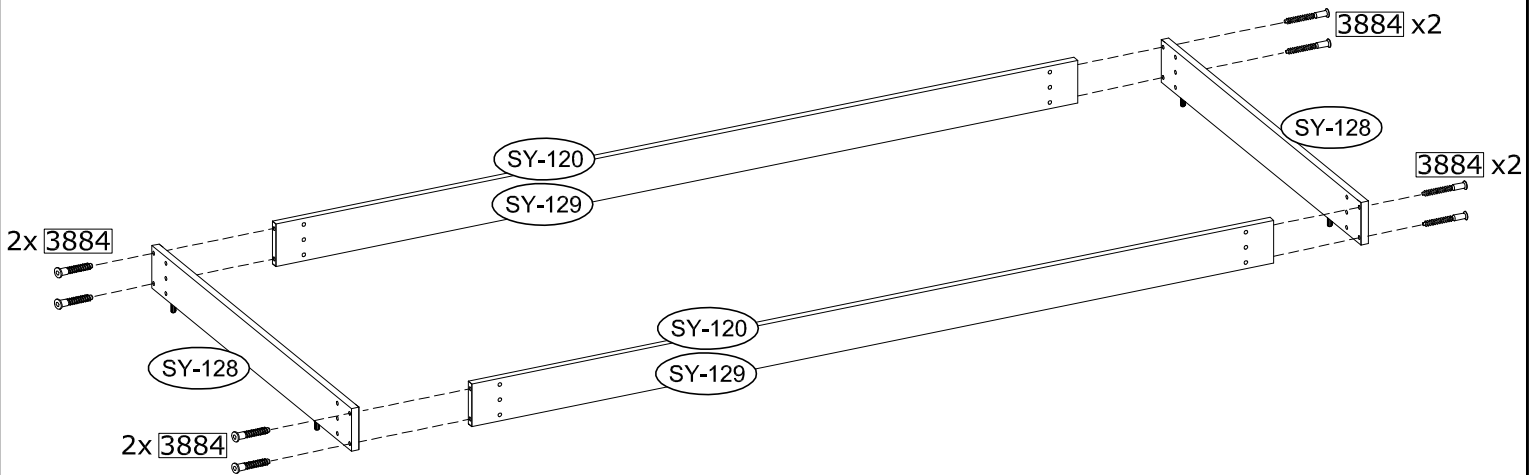
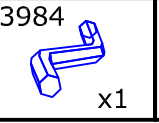
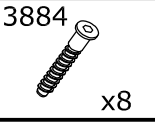
3989  x20	3983  x1	4057  x8		
---	--	--	--	--



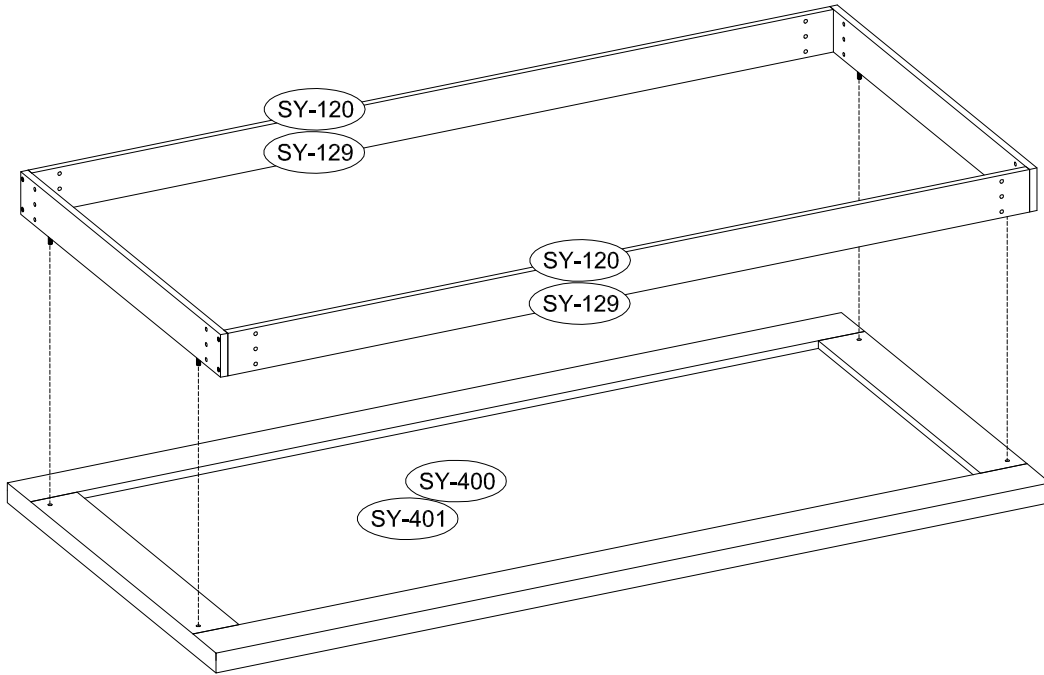
2



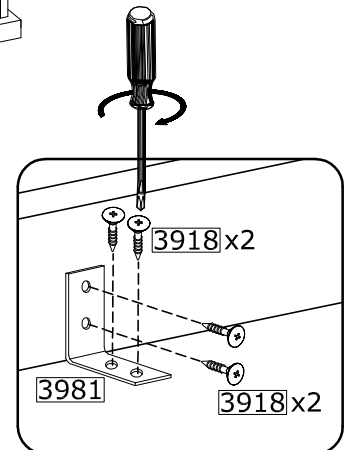
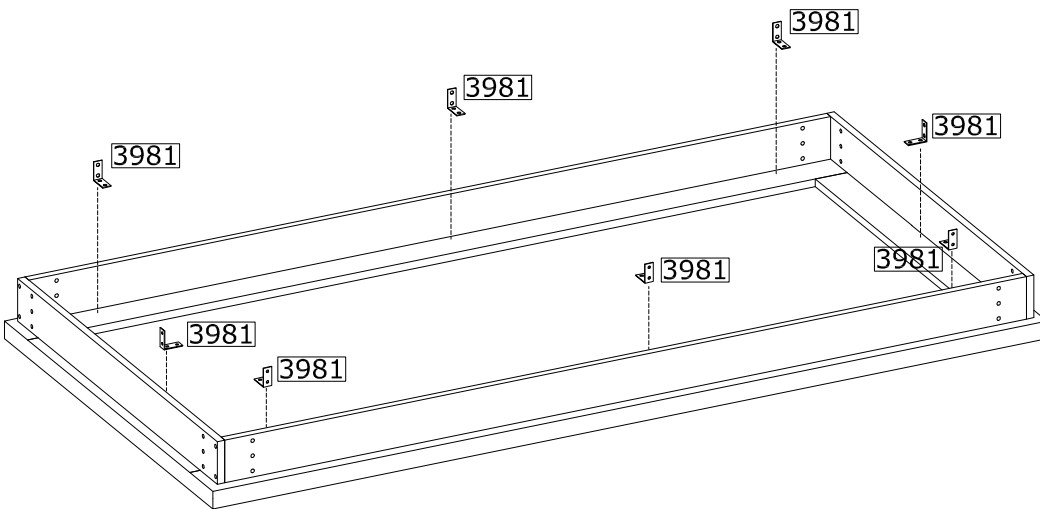
3



4



5



6

IN01617



E-24

