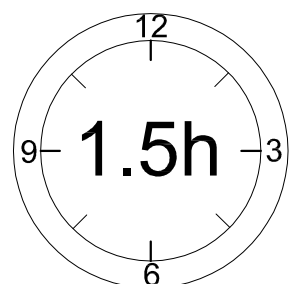
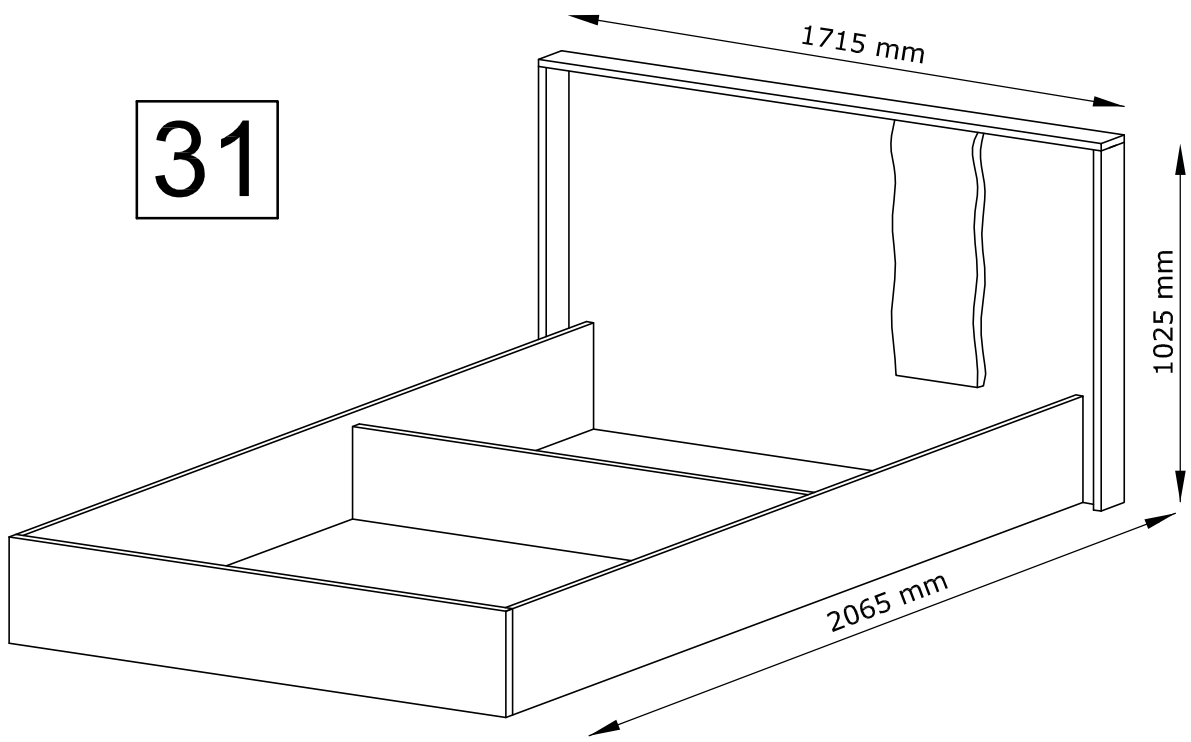
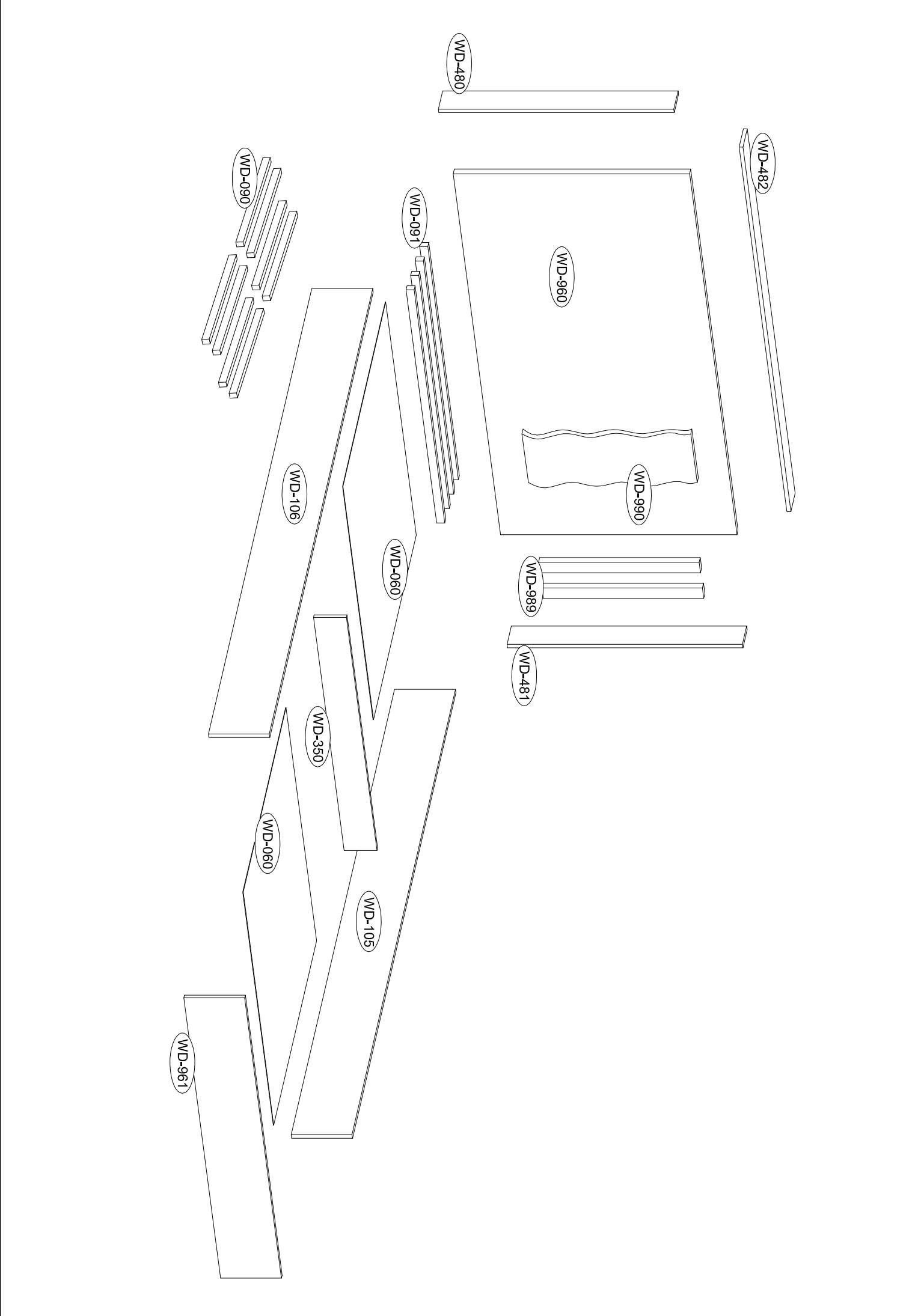
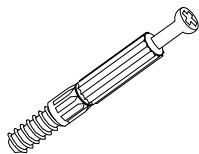


31



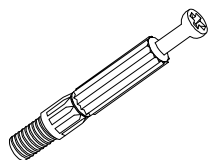


4066 x17



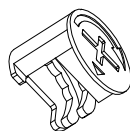
Ø6,5x36,5 mm

4065 x4



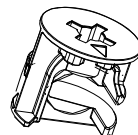
M6x36,5 mm

3996 x17



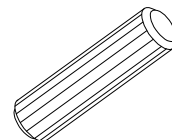
Ø15x12 mm

3997 x4



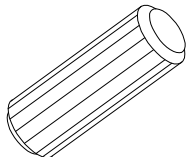
Ø15x17mm

3989 x65



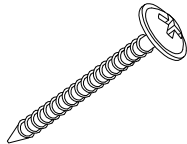
Ø8x30 mm

3992 x8



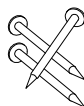
Ø10x35 mm

3897 x38



Ø4,0x45 mm

3975 x70



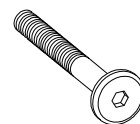
1.2x20 mm

3938 x4



M6,0x16,0 mm

146787 x4



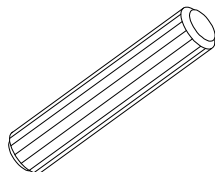
M6,0x50,0 mm

142484 x4



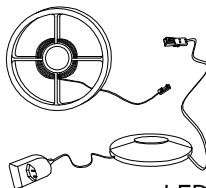
Ø6x35 mm

3991 x12



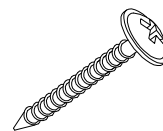
Ø8x50 mm

70881 x1



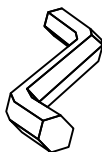
LED

3896 x10



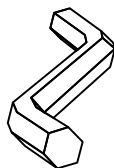
Ø4,0x40 mm

3984 x1



4 mm

IN01180 x1



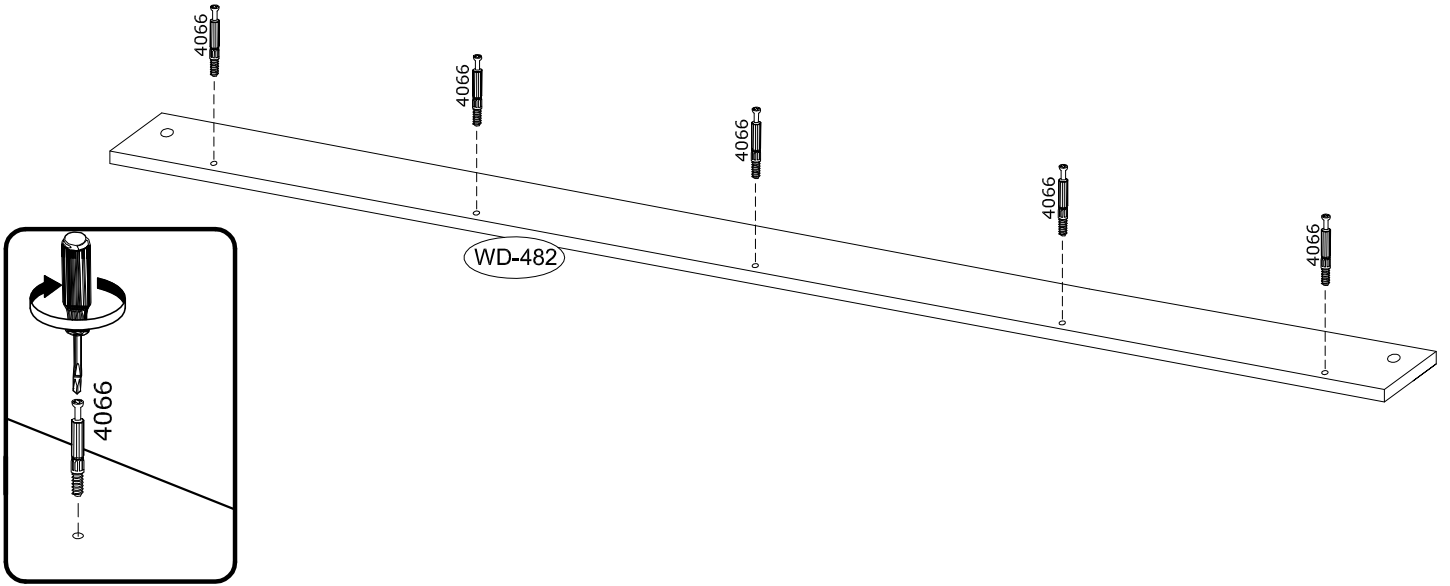
5 mm

1.

4066



x5



2.

4066

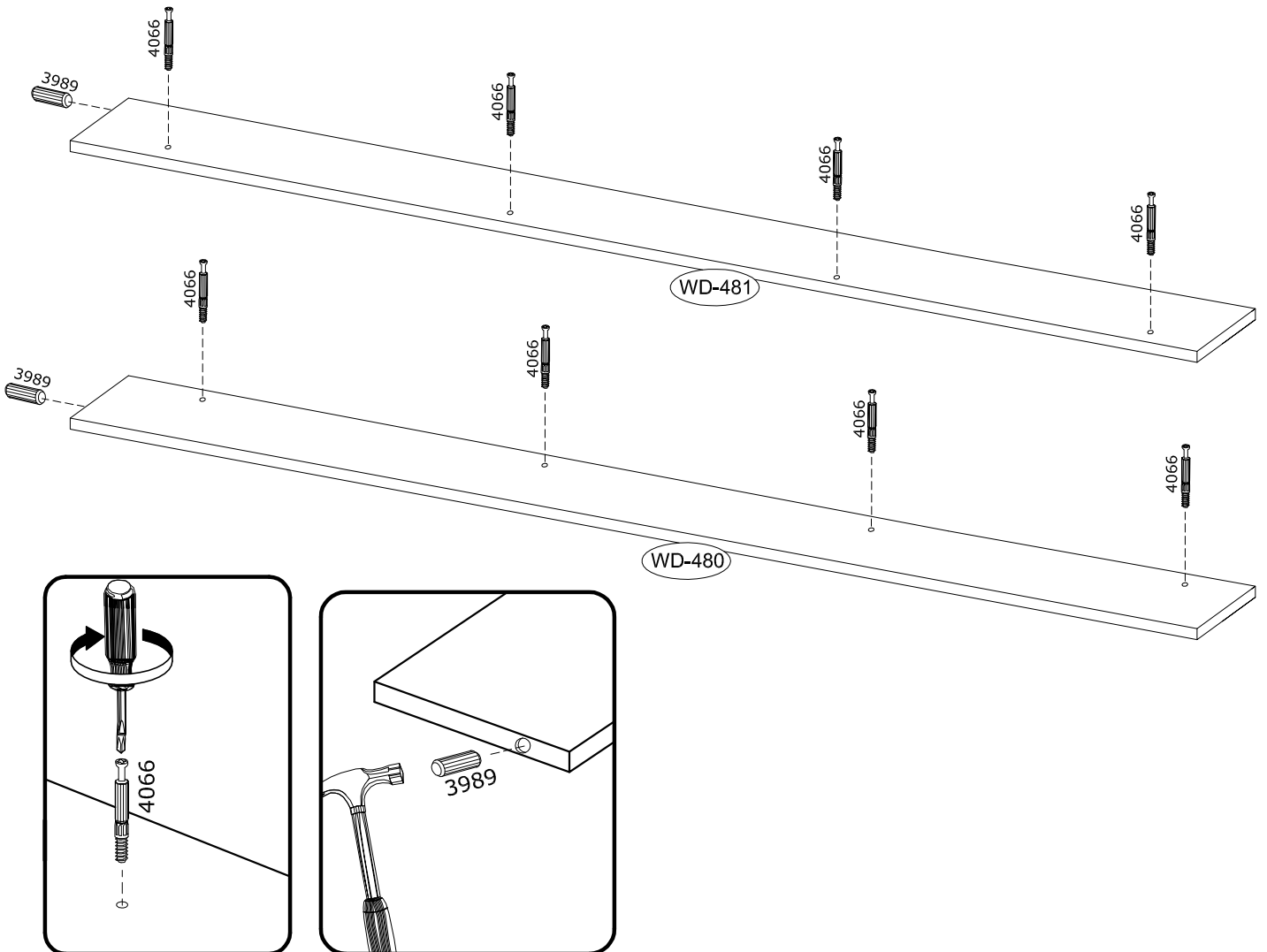


x8

3989



x2



3.

3989



x4

3991

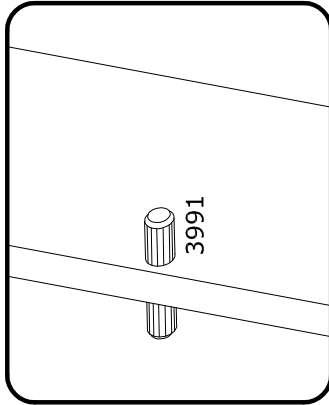
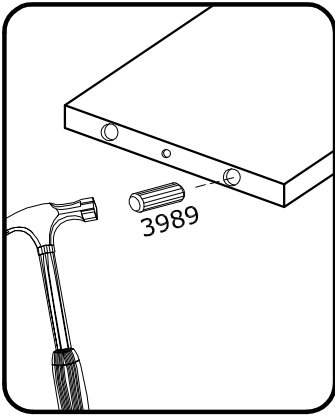
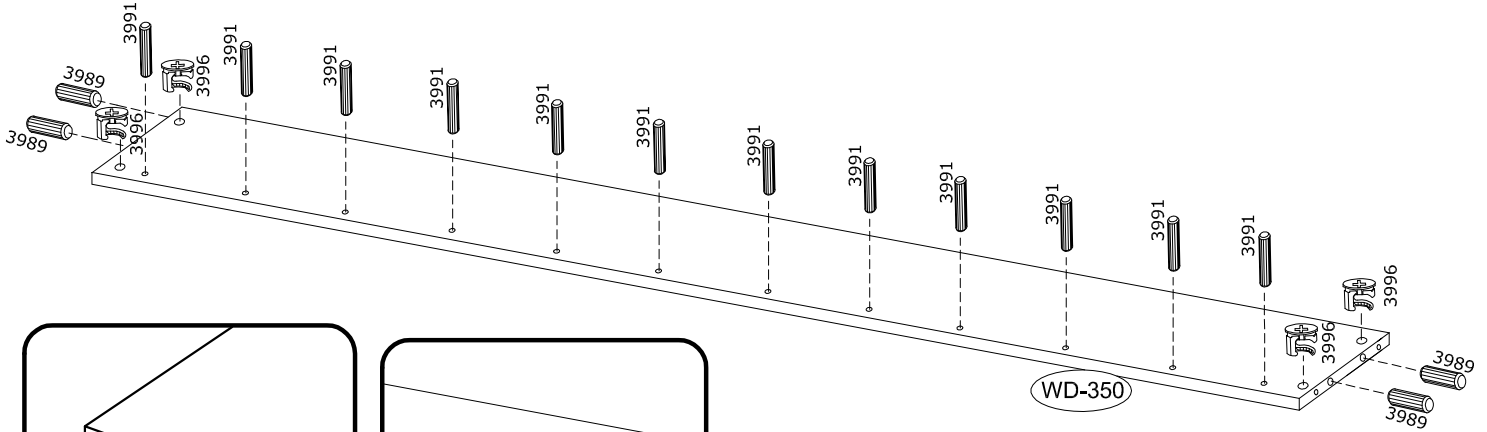


x12

3996



x4



4.

4066



x4

3989

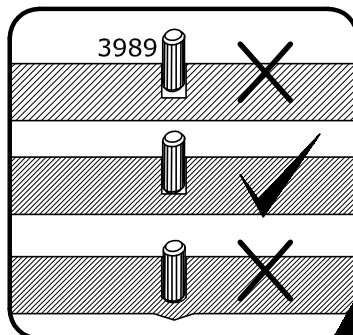
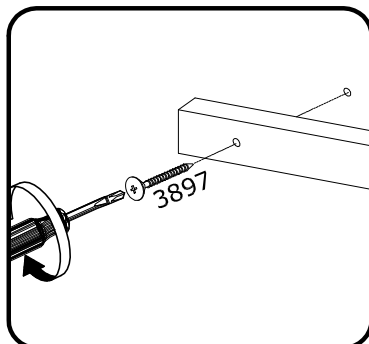
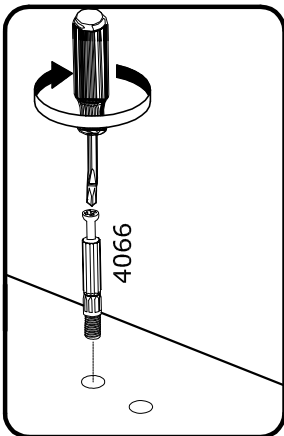
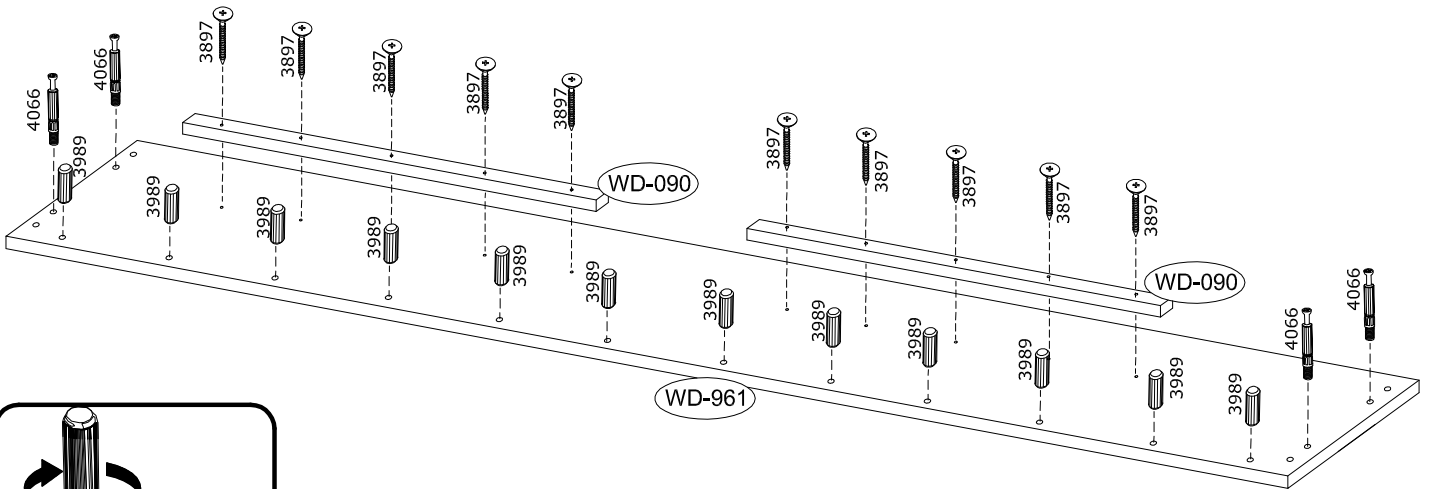


x12

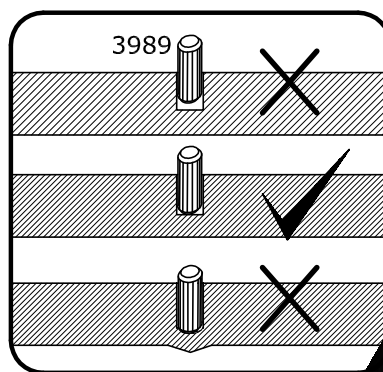
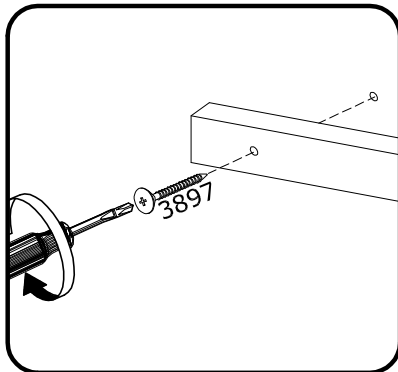
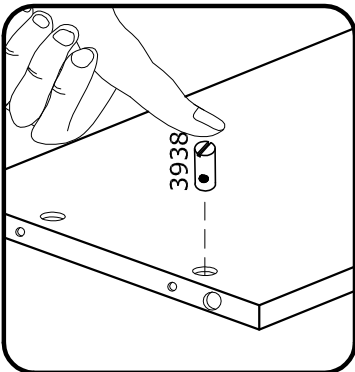
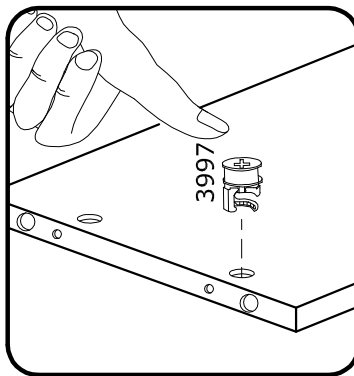
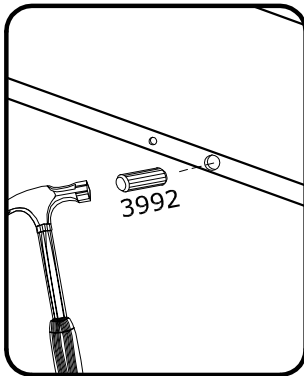
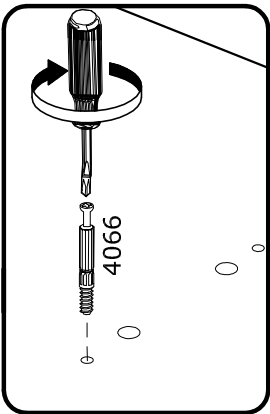
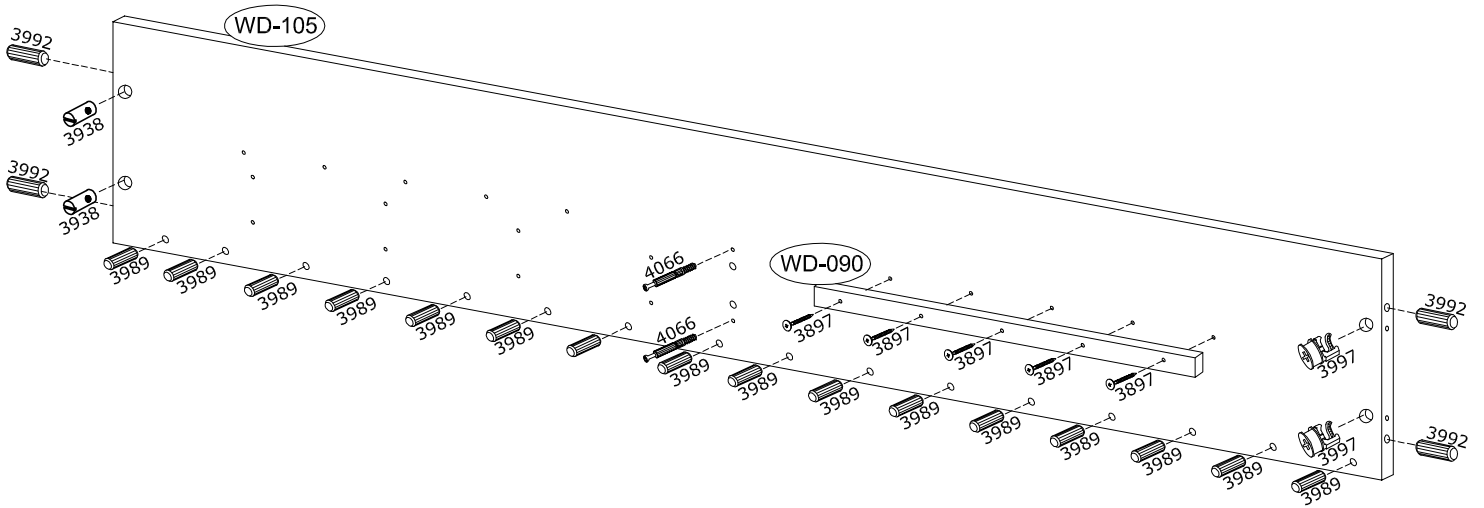
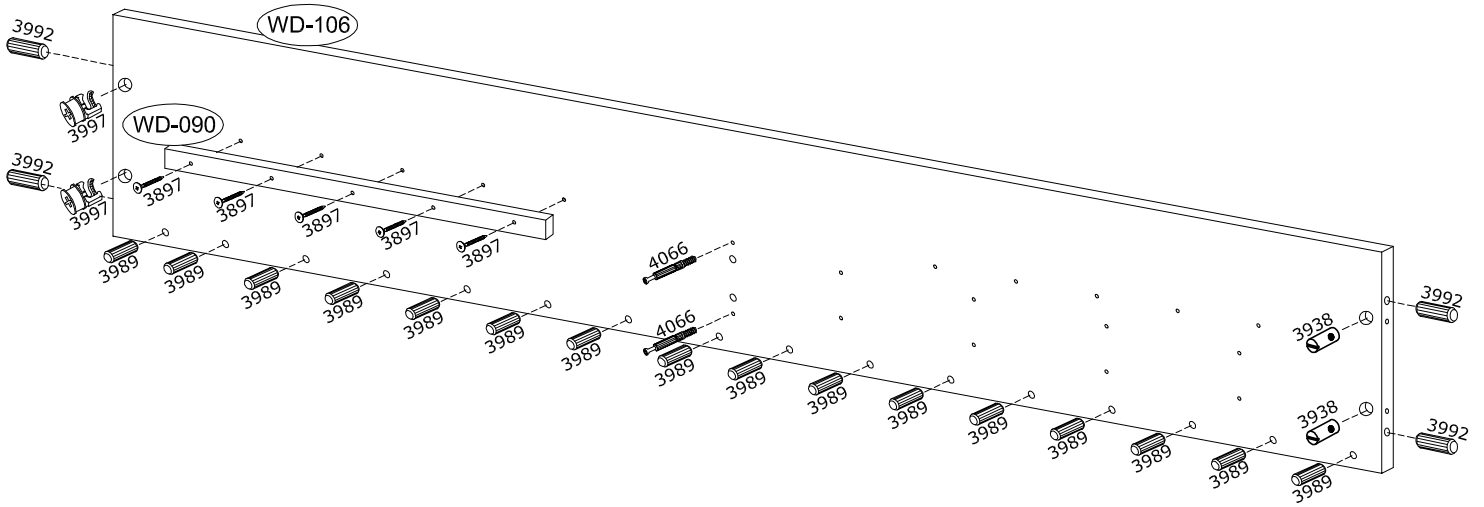
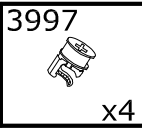
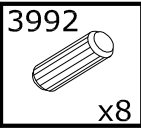
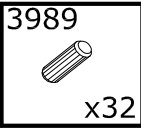
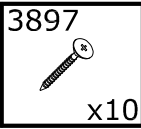
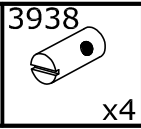
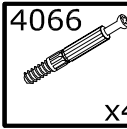
3897



x10



5.



6.

142484



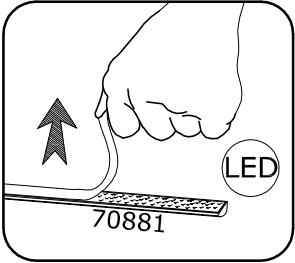
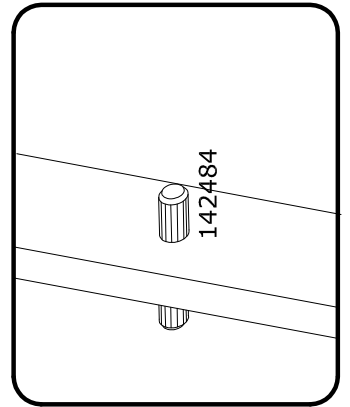
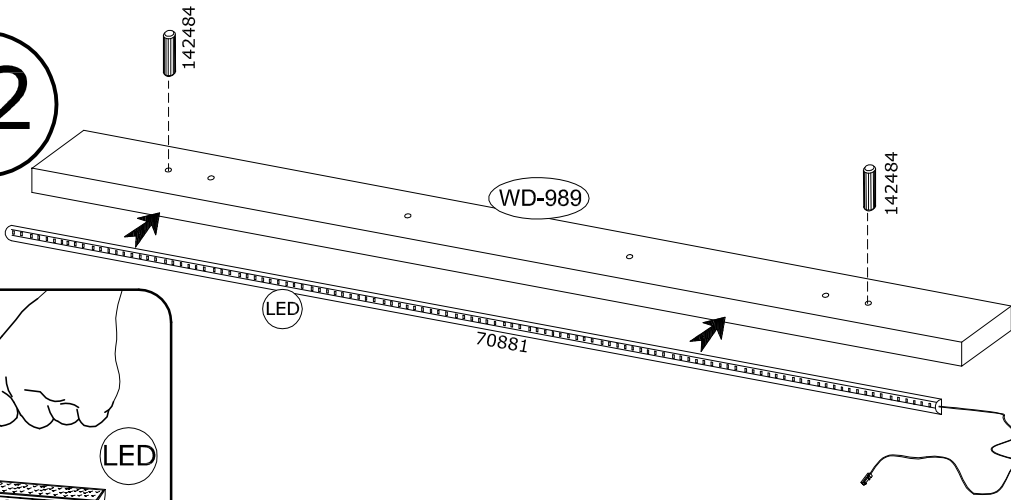
x4

70881



x1

x2



7.

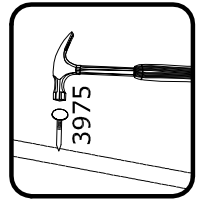
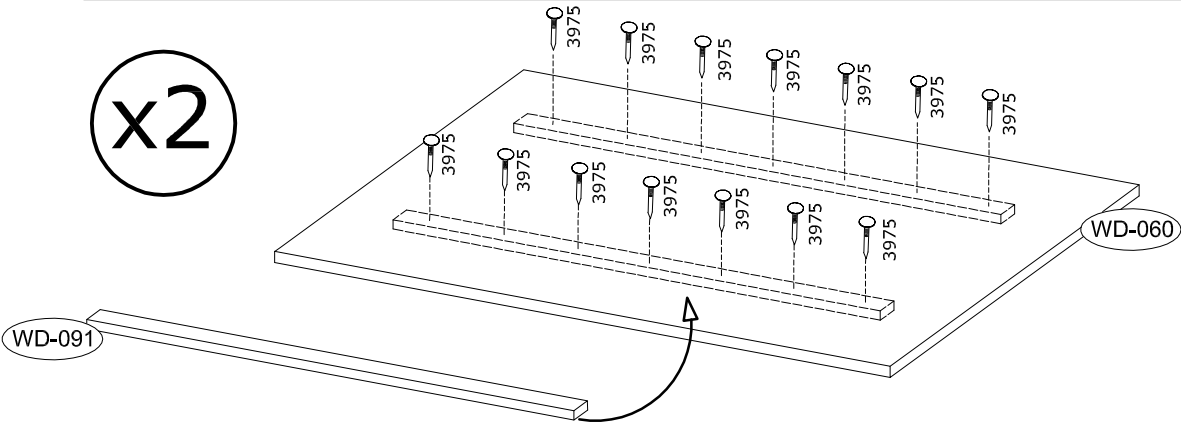
3975



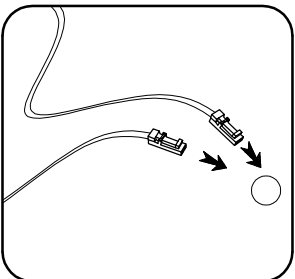
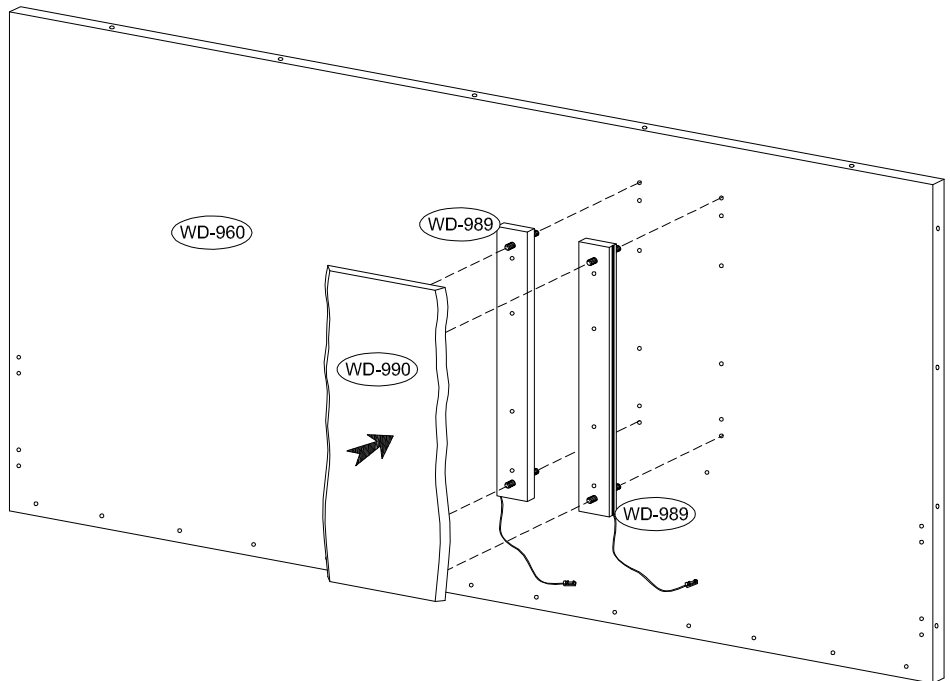
GWx70



x2



8.



9.

3996

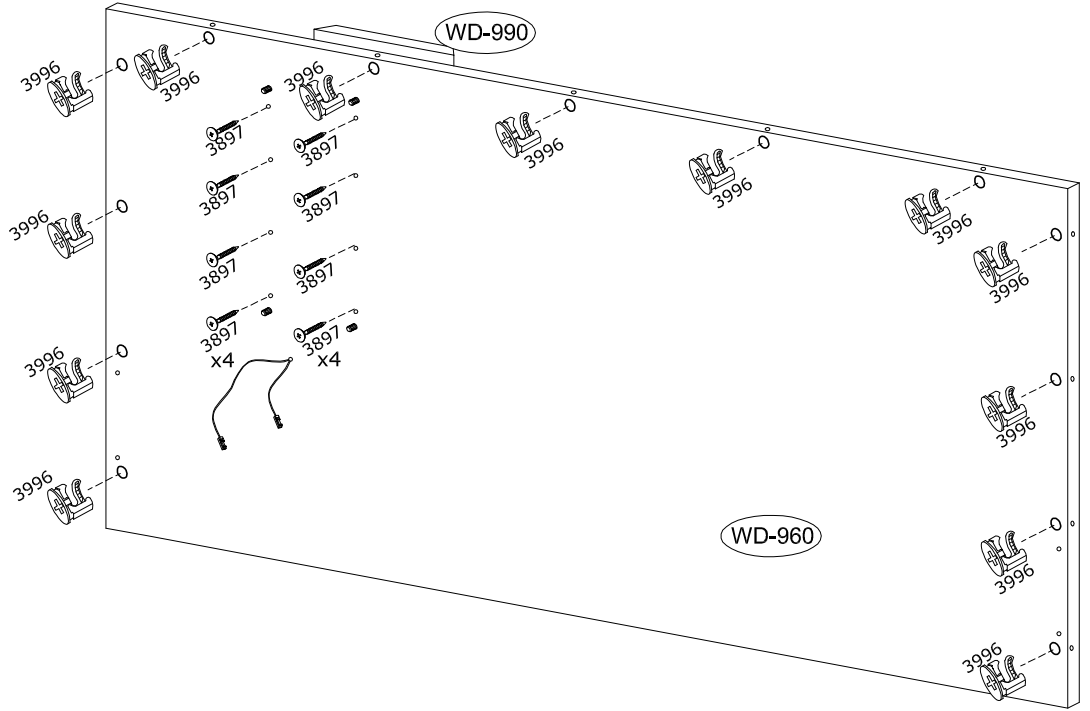
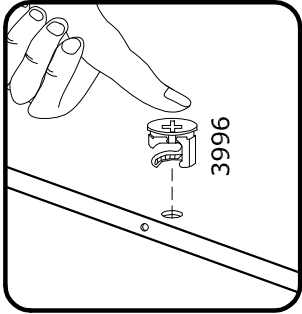


x13

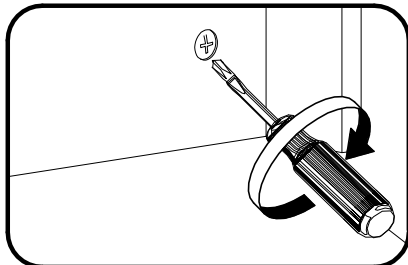
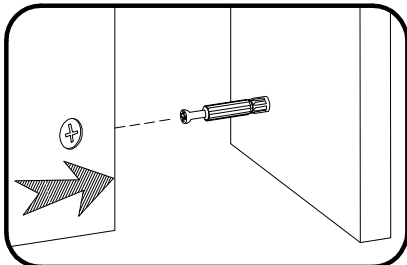
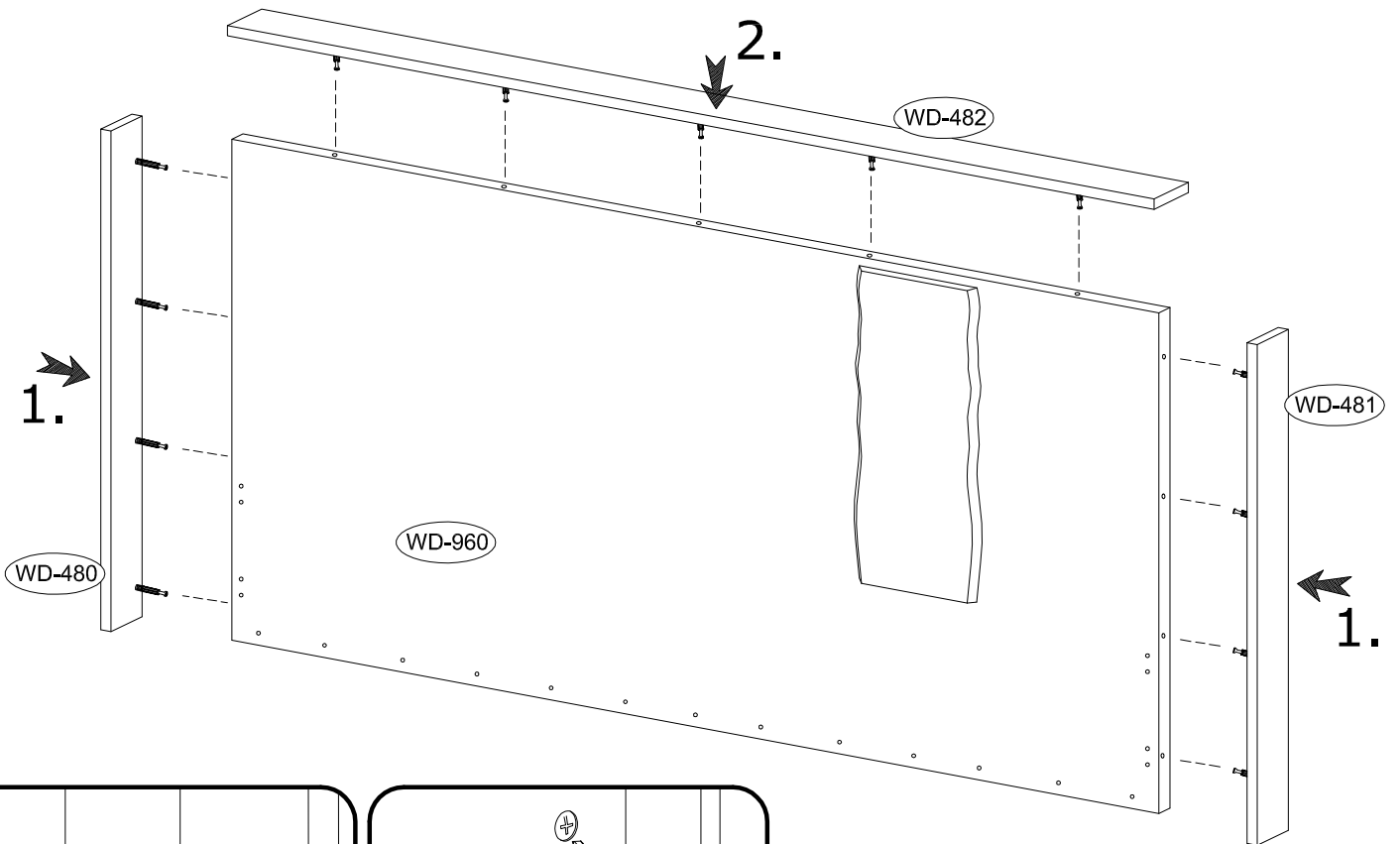
3897



x8



10.



11.

31

3897



x10

81



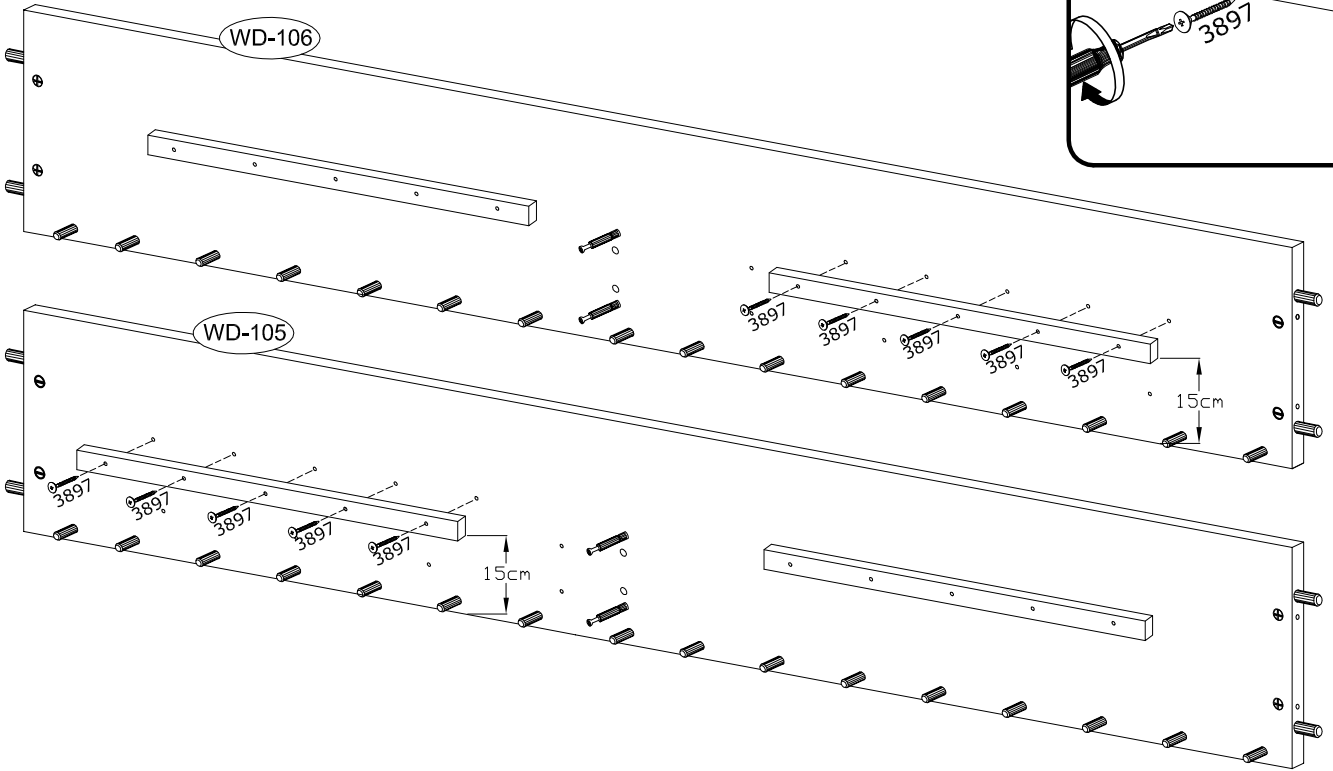
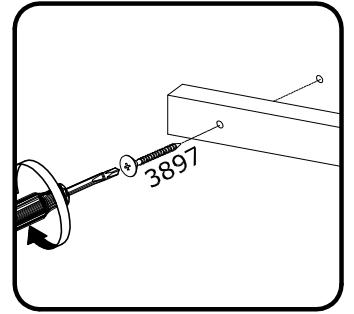
⑧x16



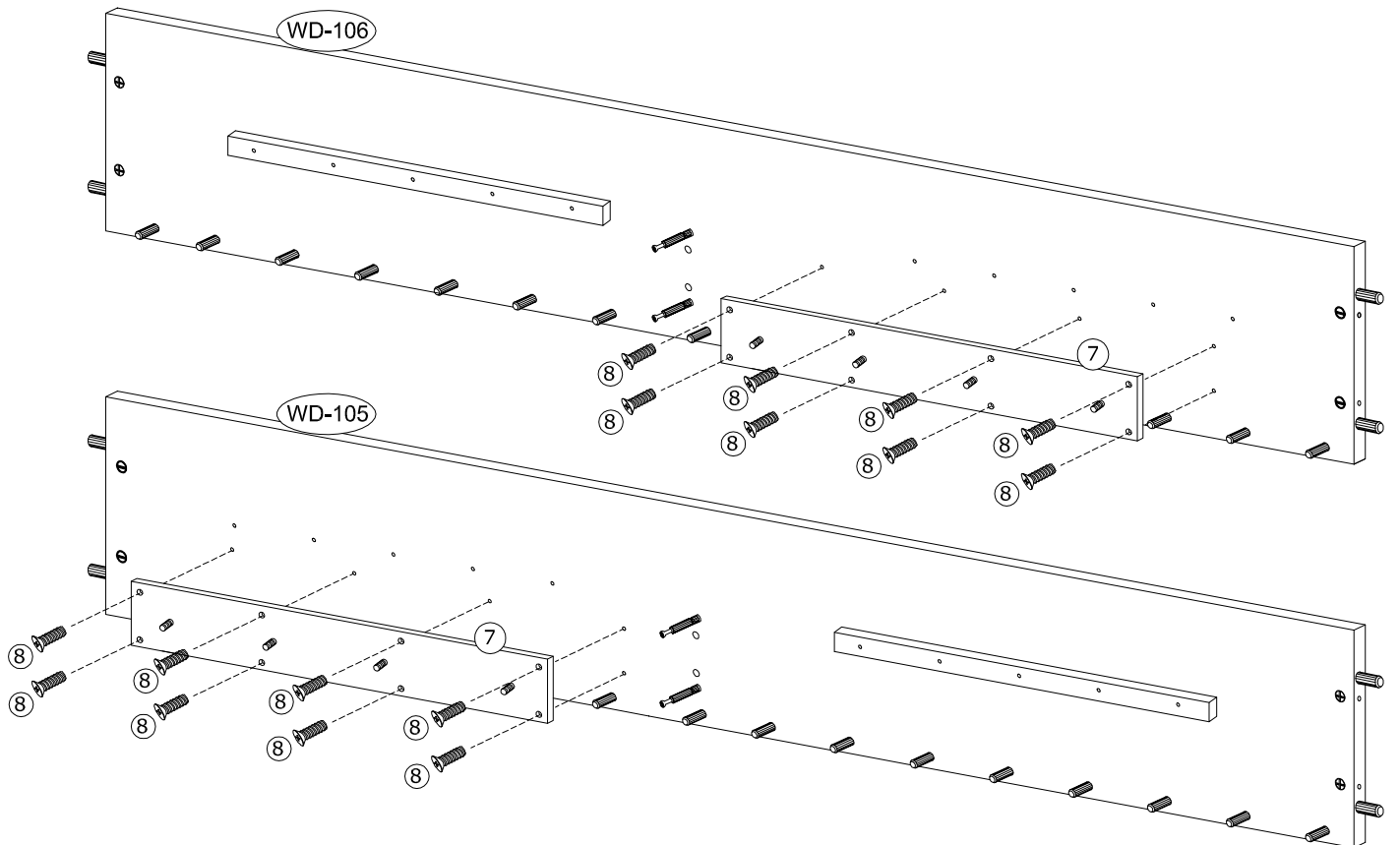
⑦x1kpl



31



81



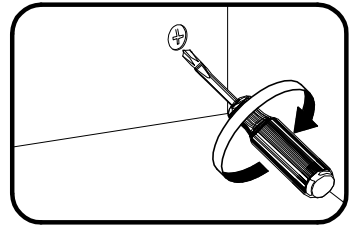
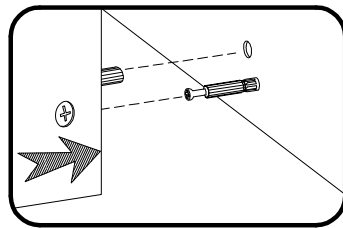
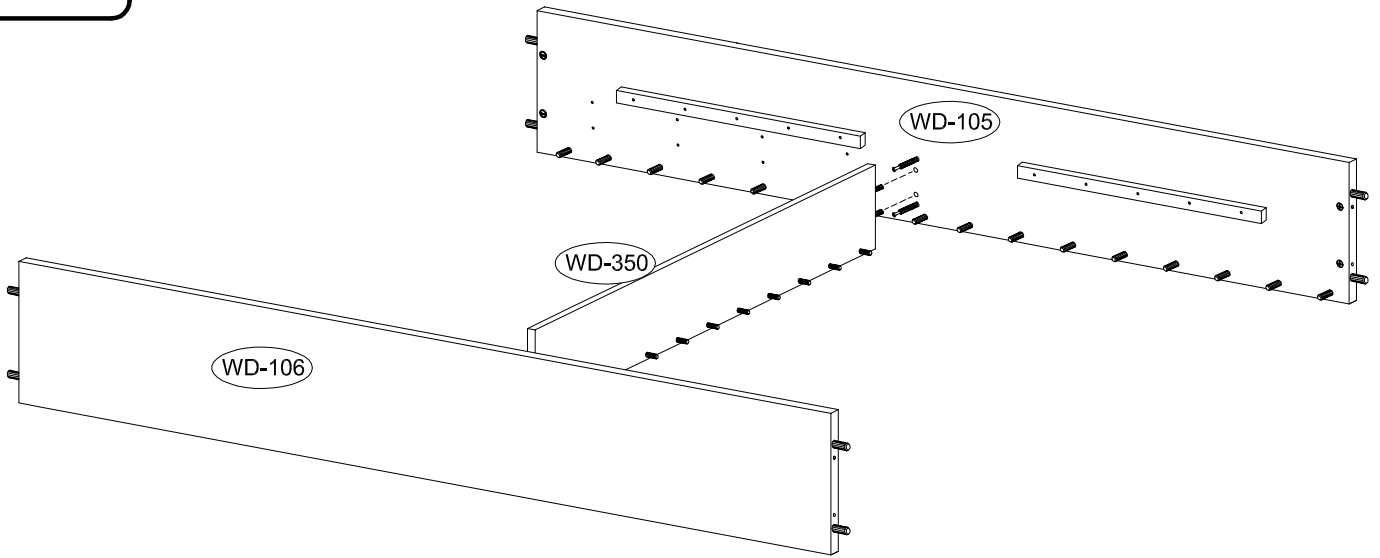
12.

31

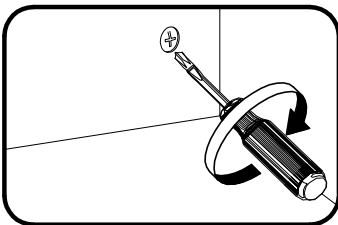
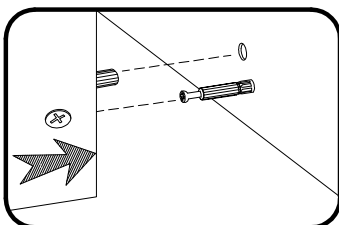
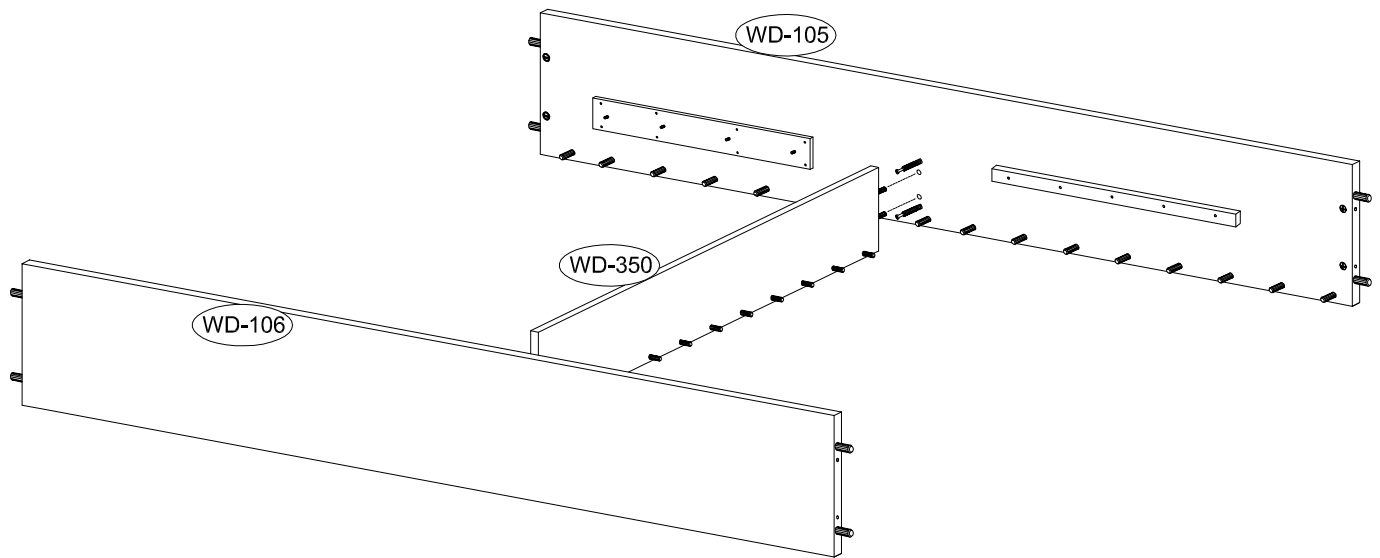
81



31



81



13.

3896



M2x10

146787



MLx4

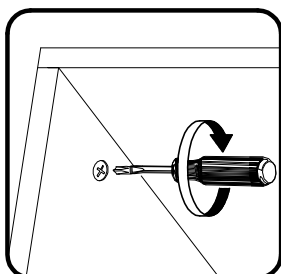
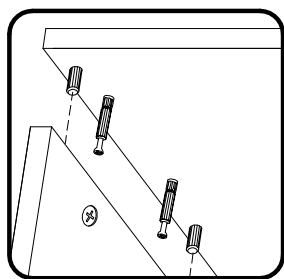
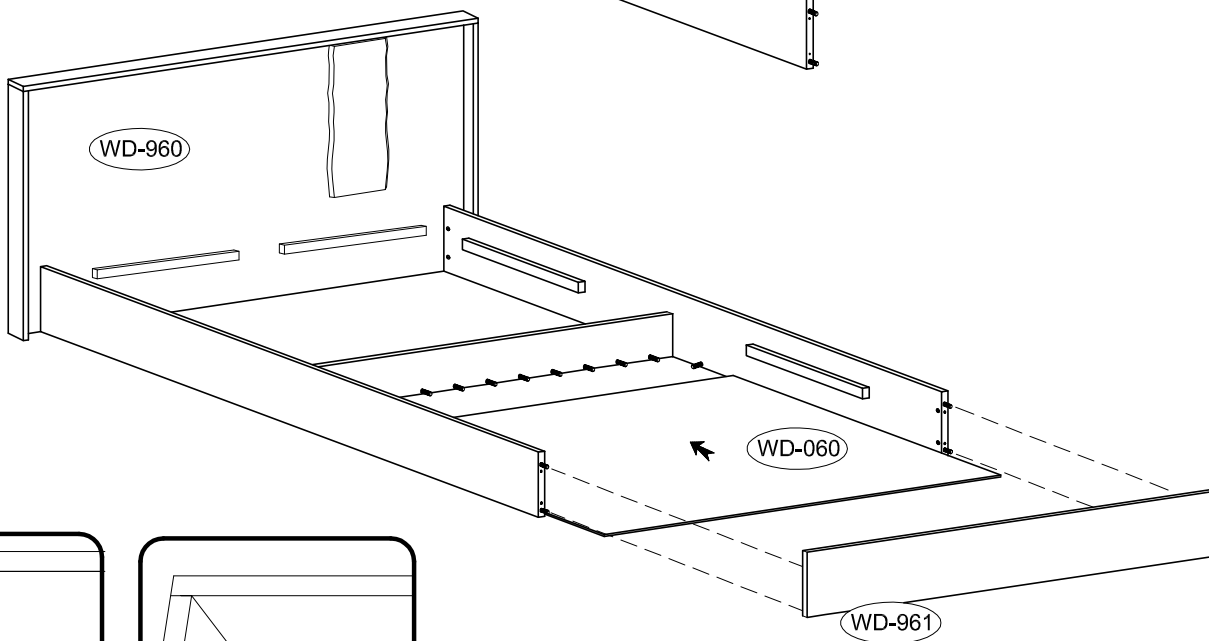
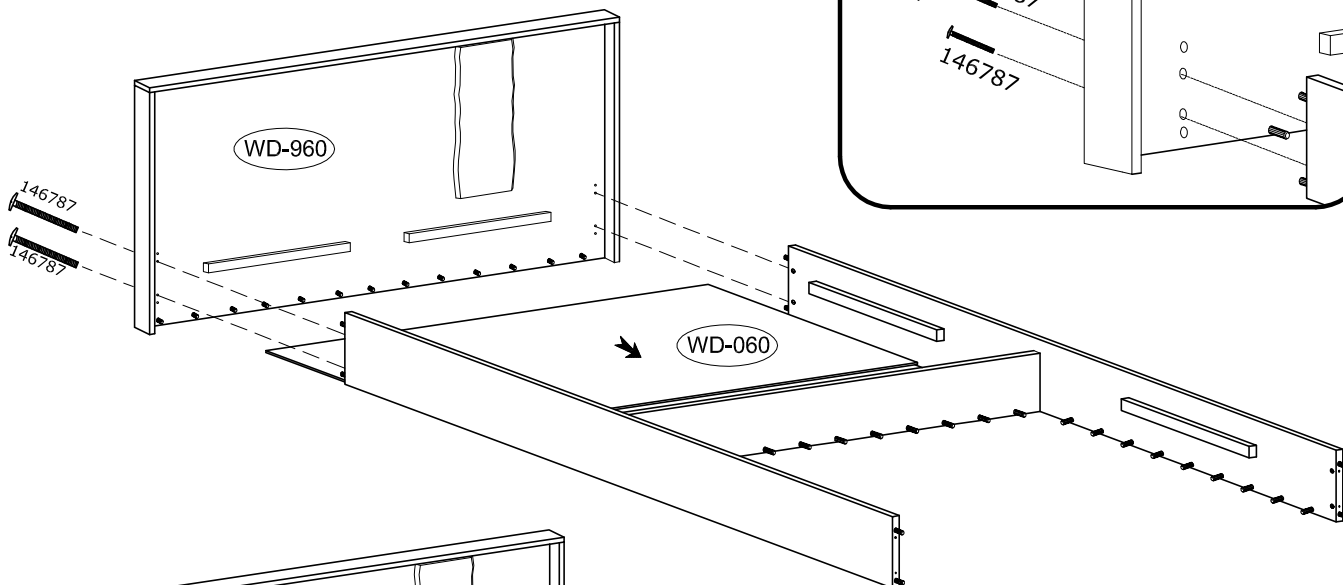
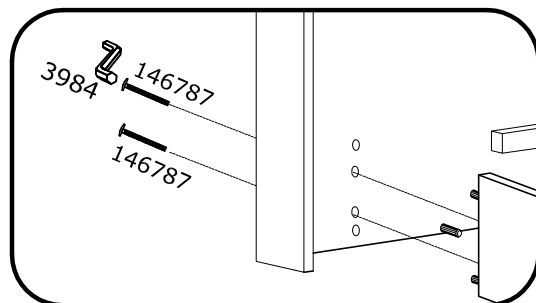
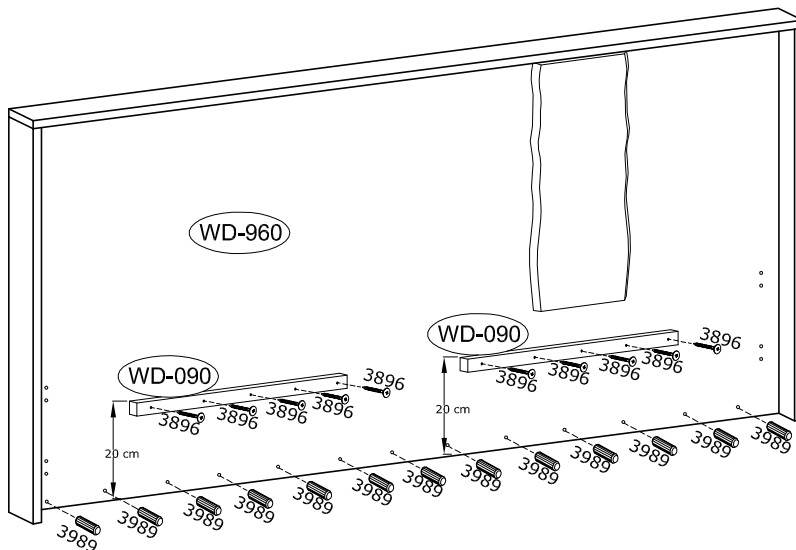
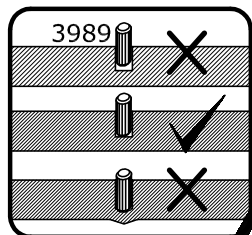
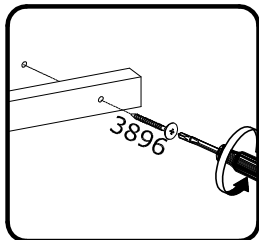
3989



Dx13



31



13.2

83893

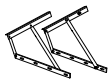


x4

3989



x13



x1



x8

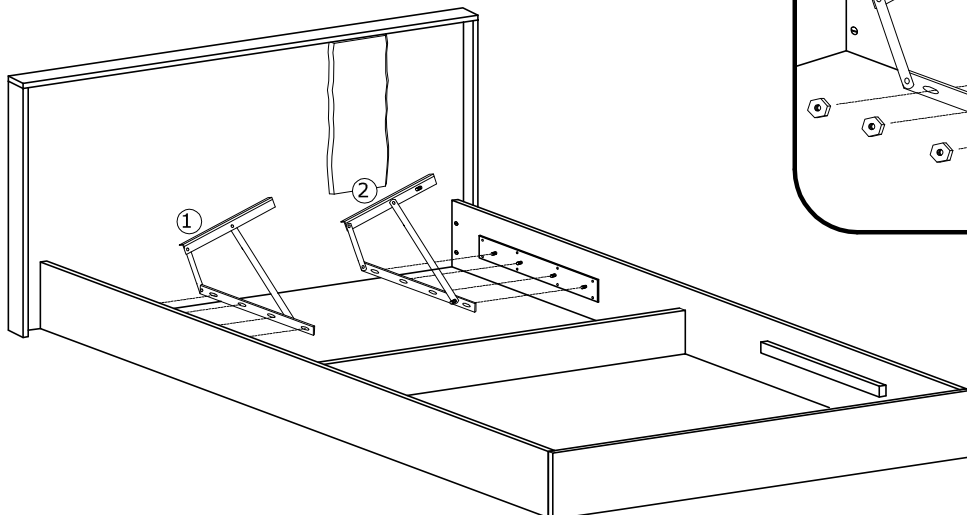
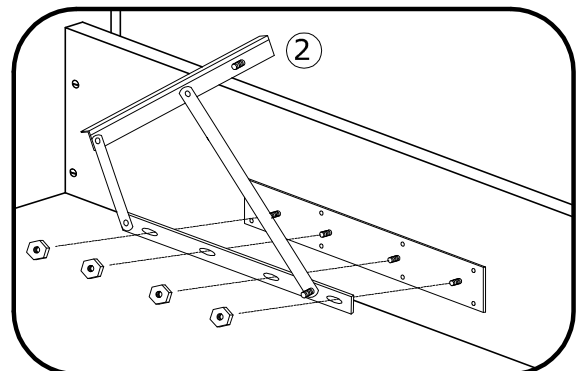
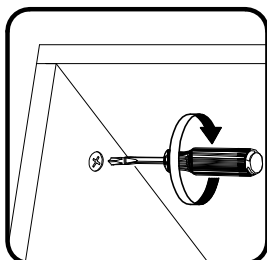
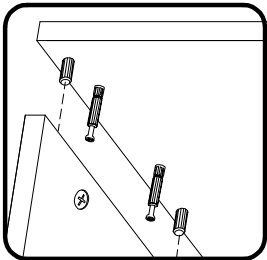
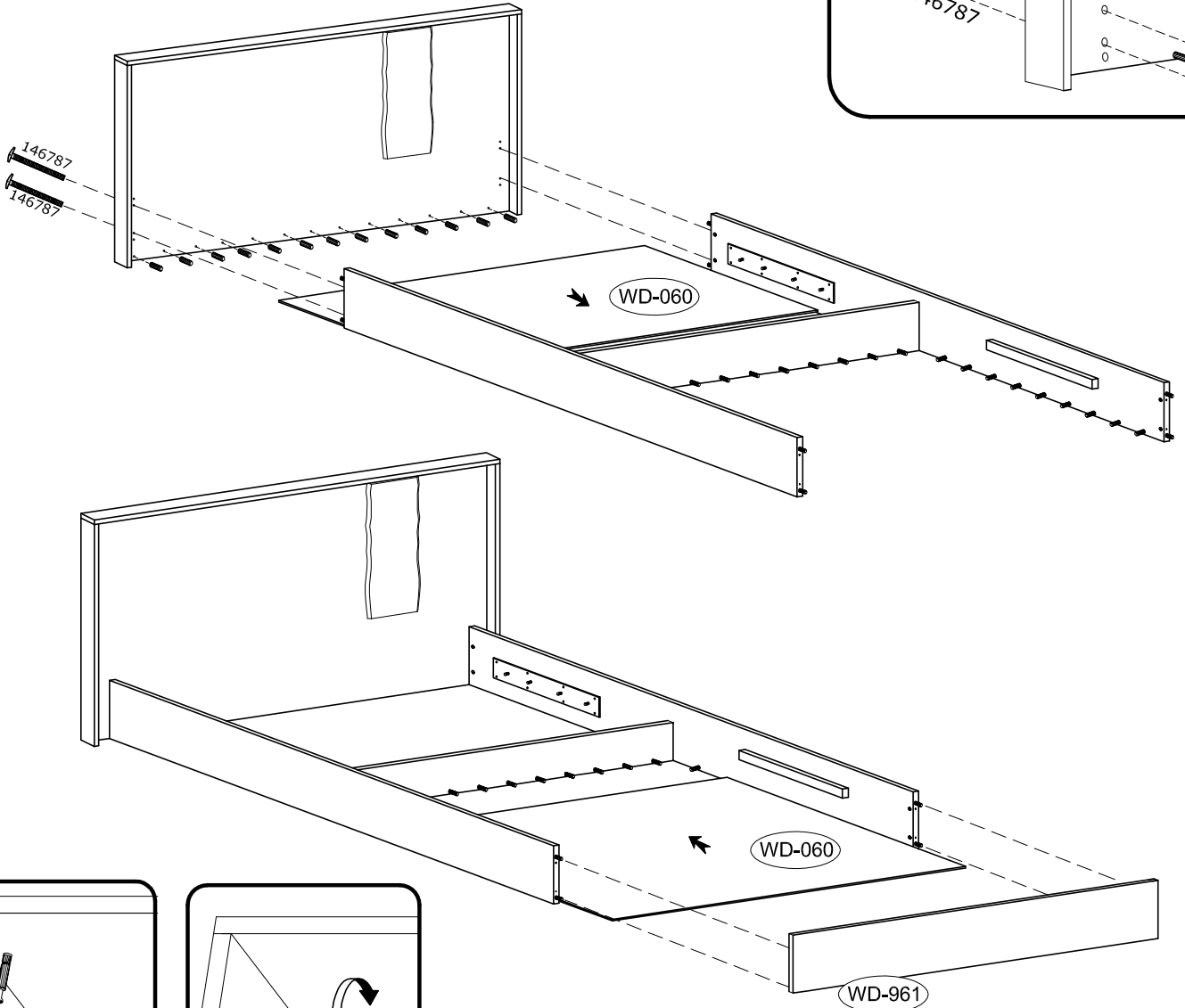
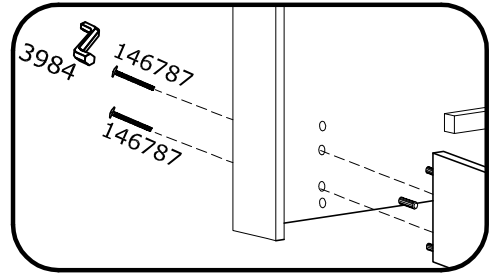
3984



x1

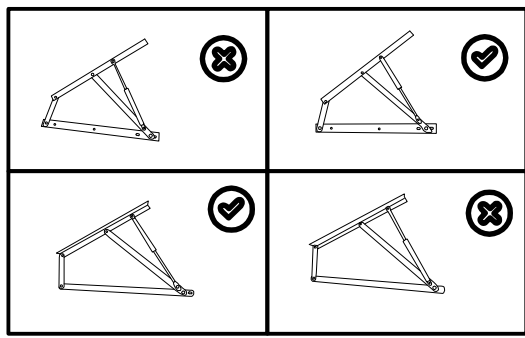
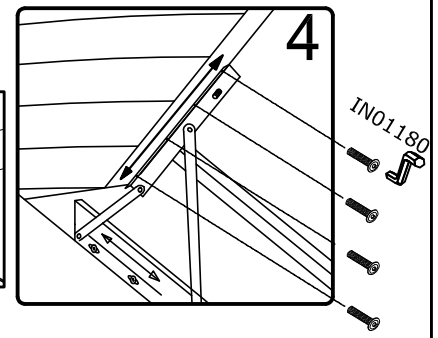
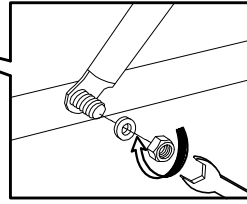
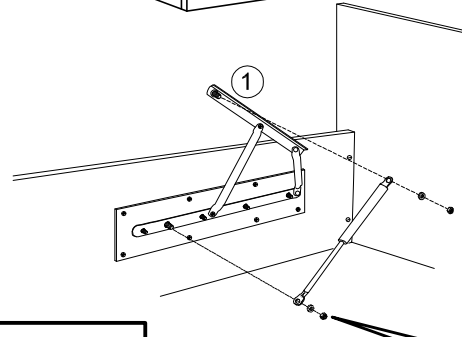
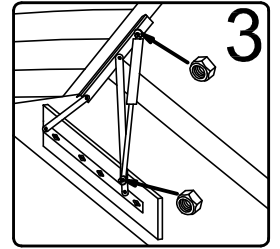
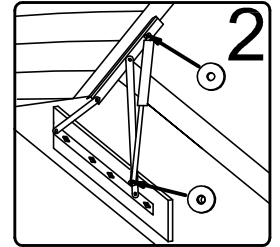
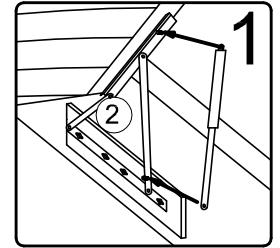
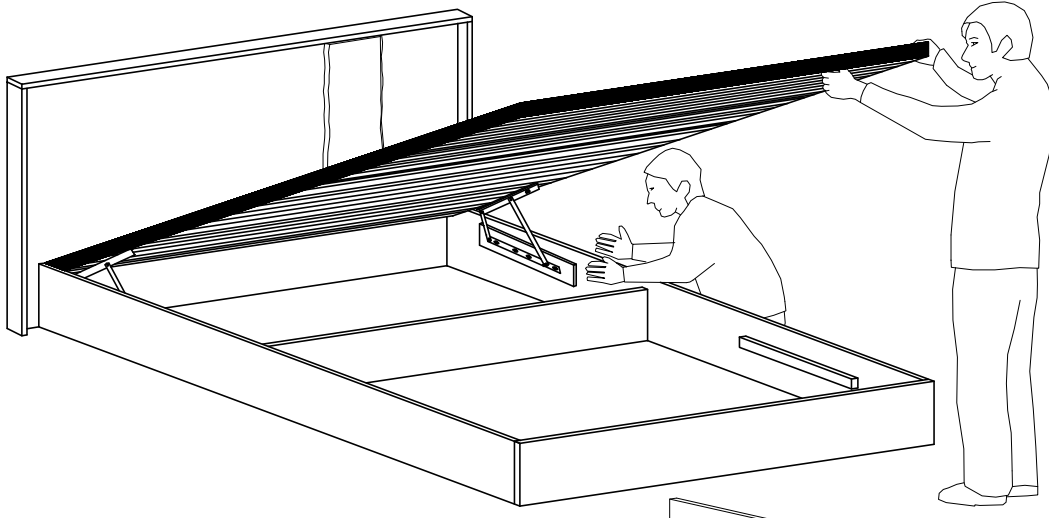


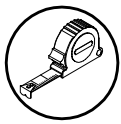
81



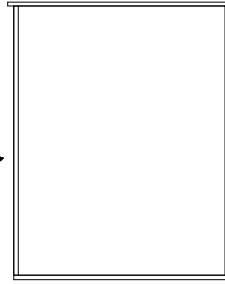
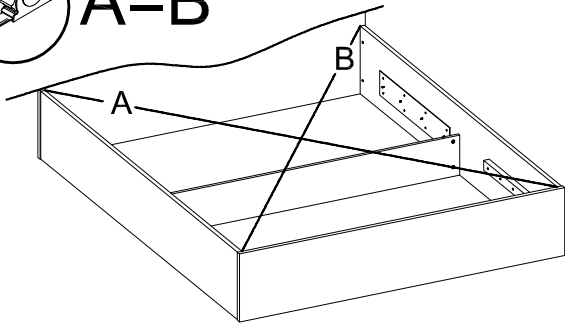
13.3

IN01180
x1

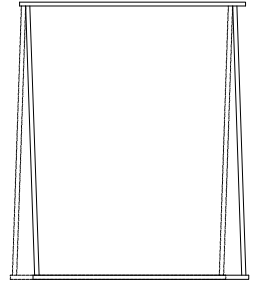




A=B

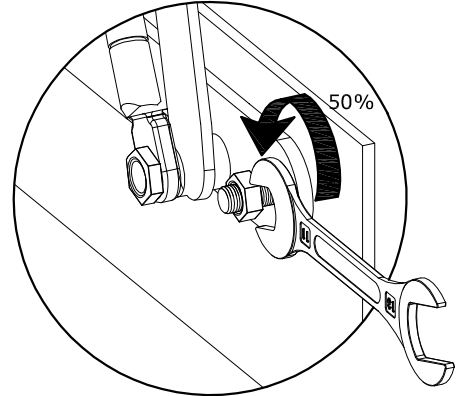
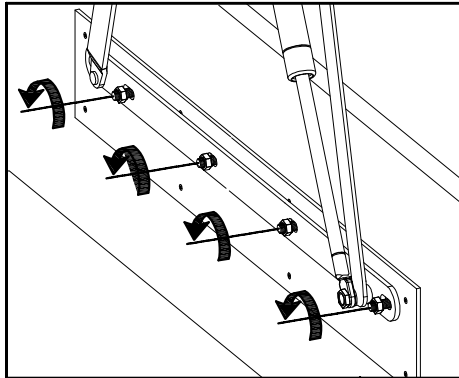


A=B

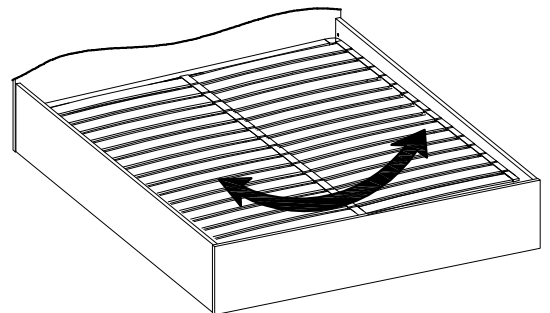
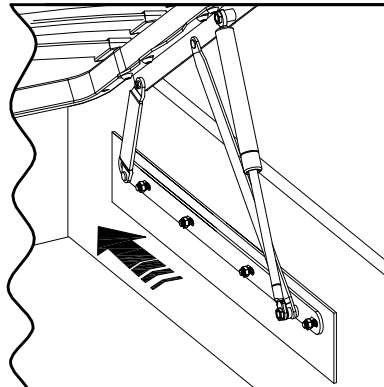
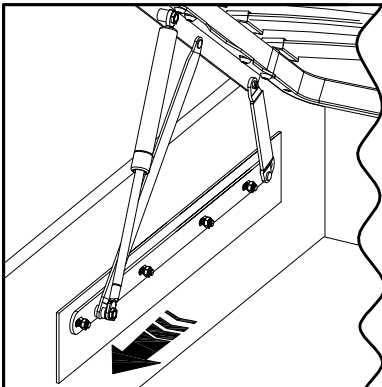
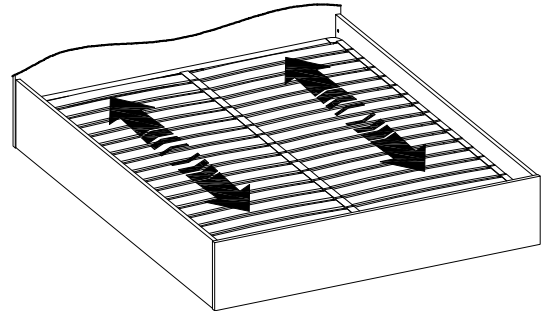
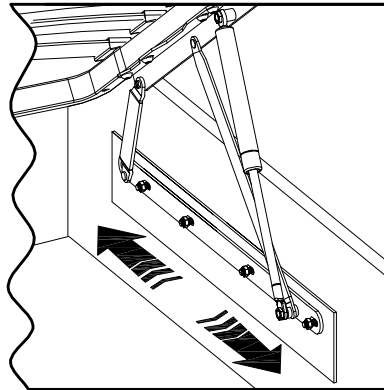
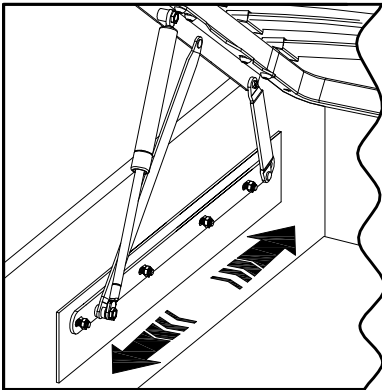


A≠B

I.



II.



III.

