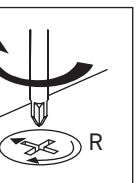
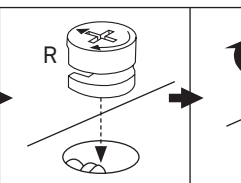
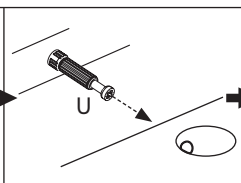
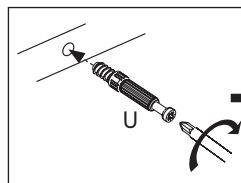
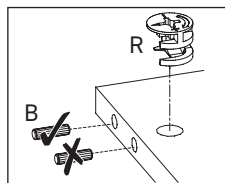
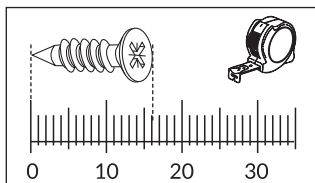
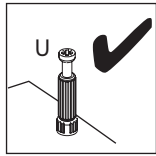
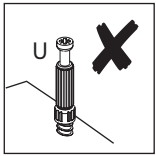
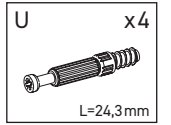
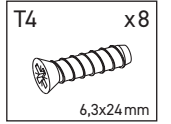
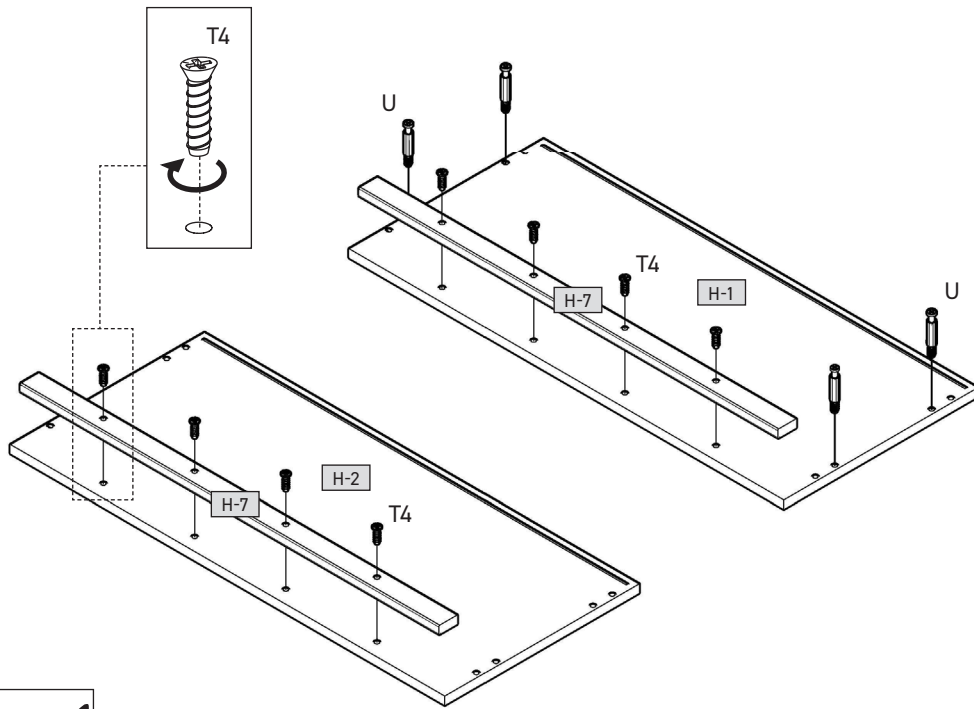


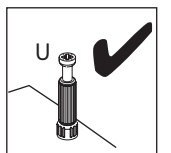
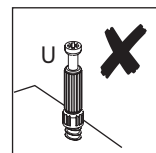
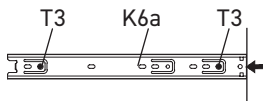
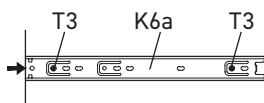
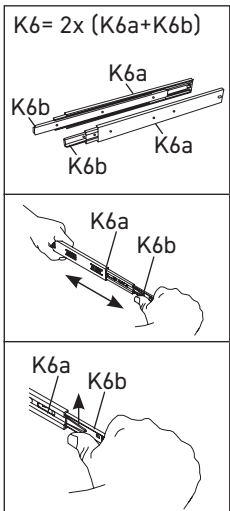
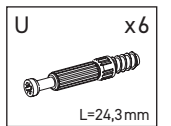
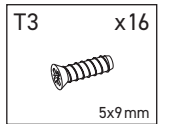
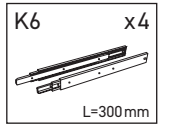
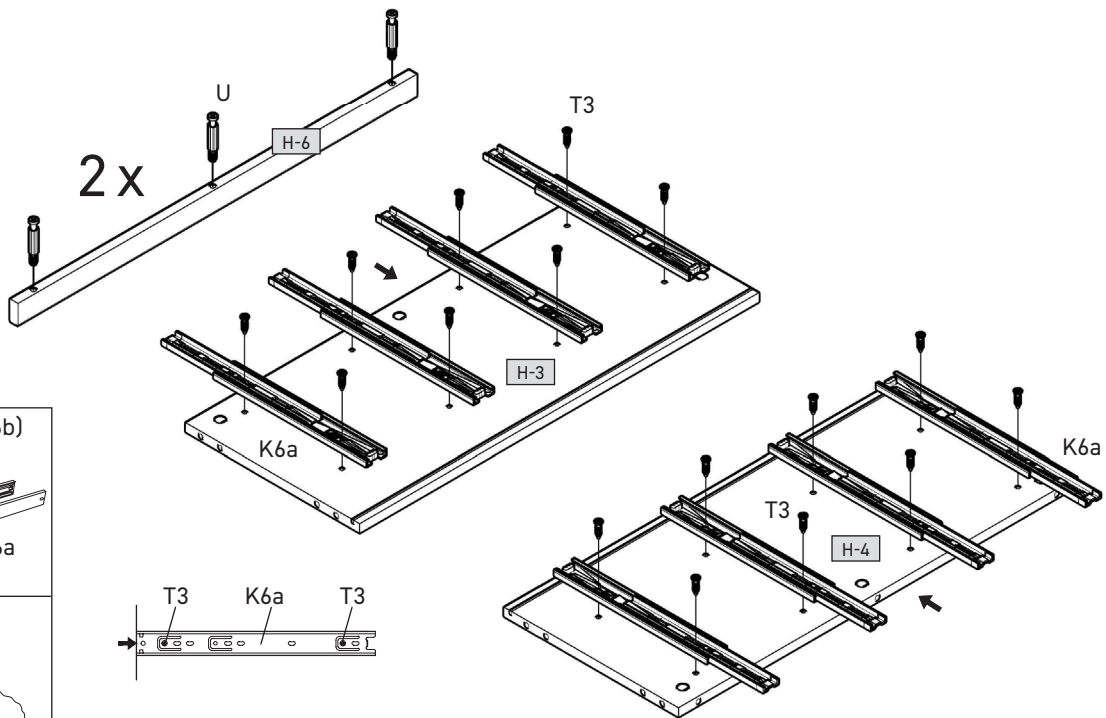
H-1	900	402	16	x 1	1/1
H-2	900	402	16	x 1	1/1
H-3	826	360	16	x 1	1/1
H-4	826	360	16	x 1	1/1
H-5	882	840	3	x 1	1/1
H-6	826	40	16	x 2	1/1
H-7	867	38	16	x 2	1/1
H-8	862	120	16	x 1	1/1
H-9	340	90	16	x 1	1/1
H-10	340	90	16	x 1	1/1
H-11	811	90	16	x 1	1/1
H-12	862	219	16	x 3	1/1
H-13	340	120	16	x 3	1/1
H-14	340	120	16	x 3	1/1
H-15	811	120	16	x 3	1/1
H-16	842	346	3	x 4	1/1



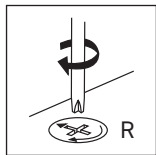
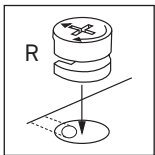
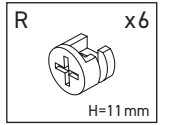
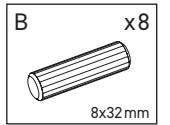
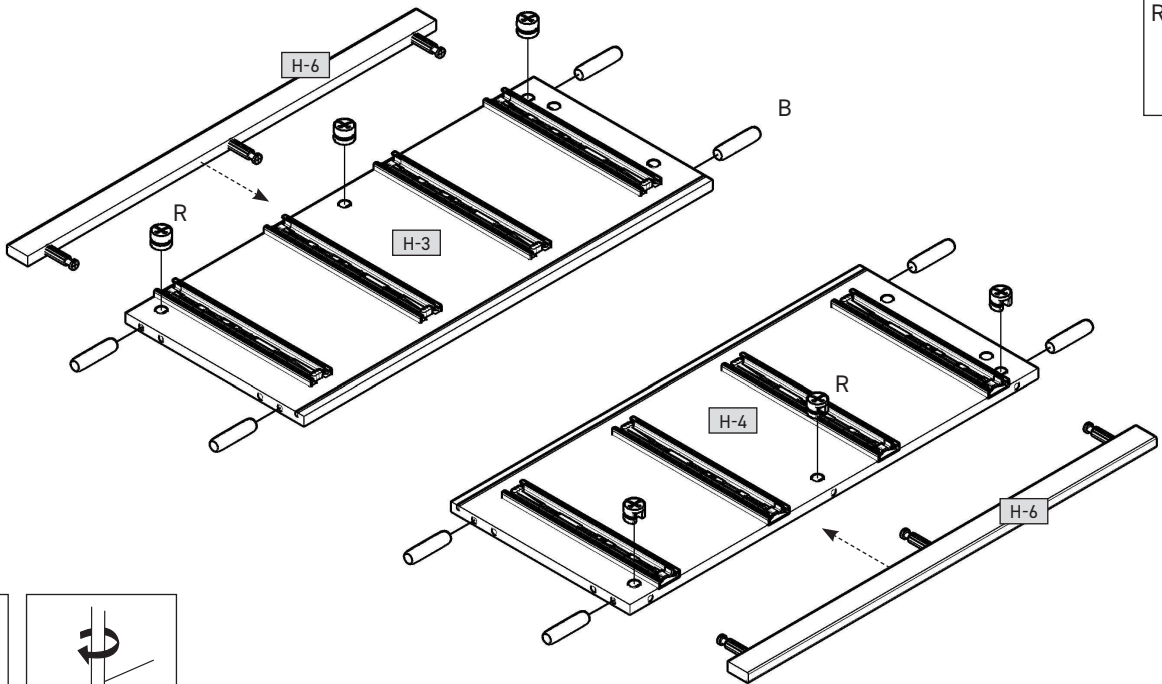
1



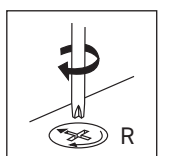
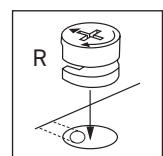
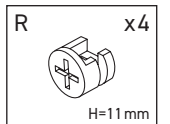
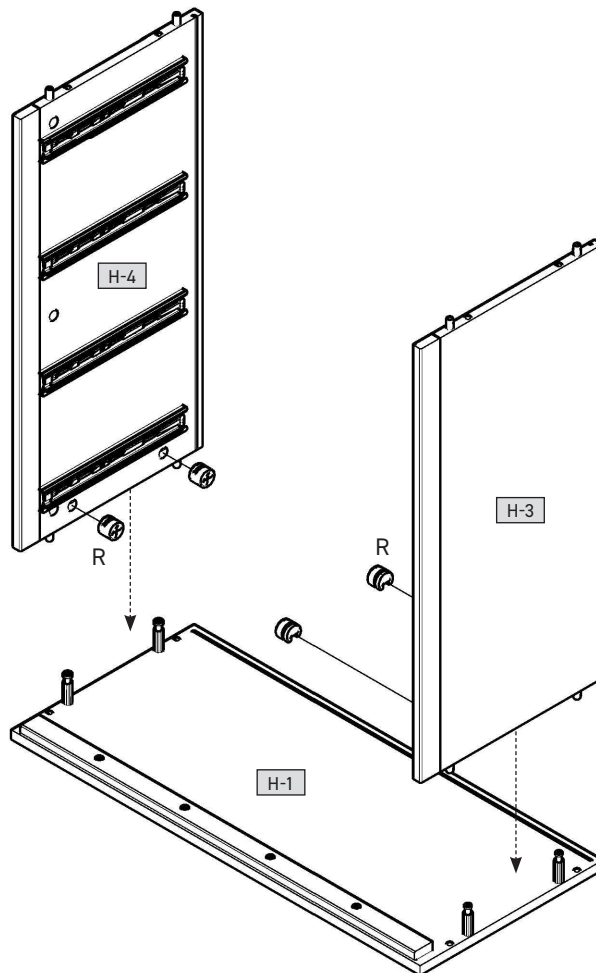
2



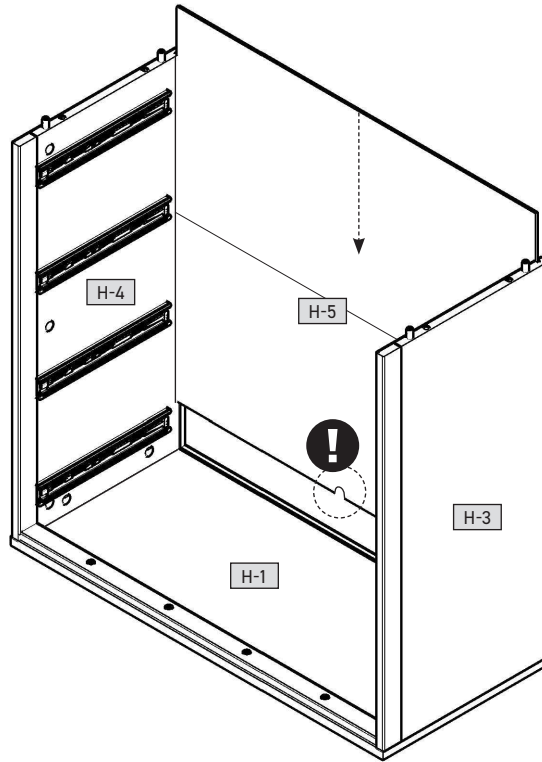
3



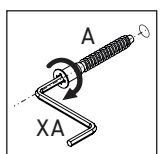
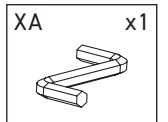
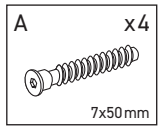
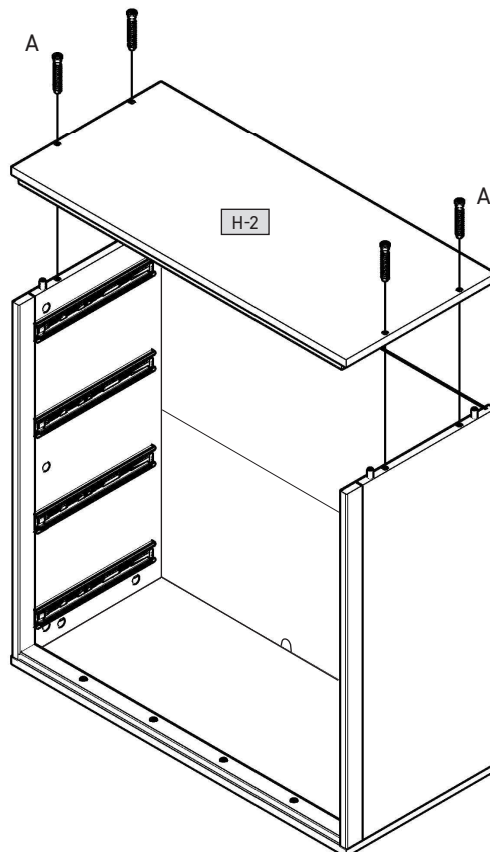
4



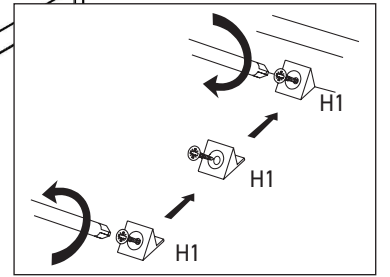
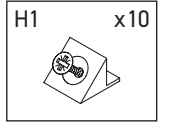
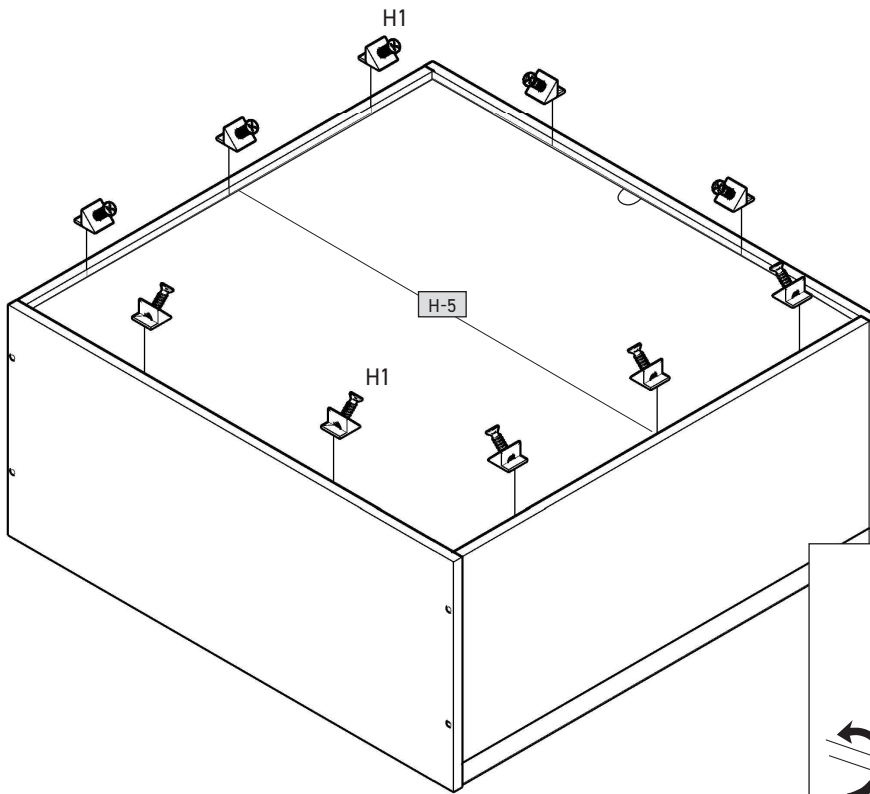
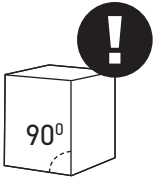
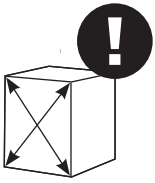
5



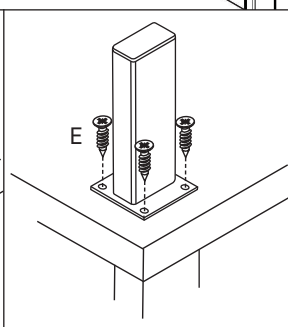
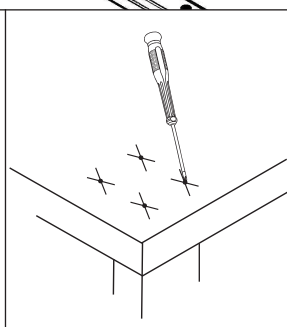
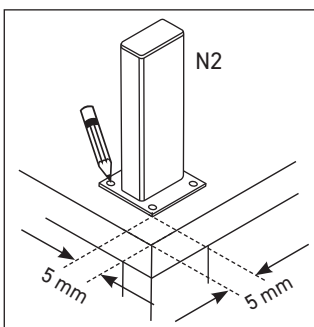
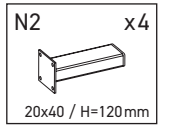
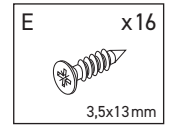
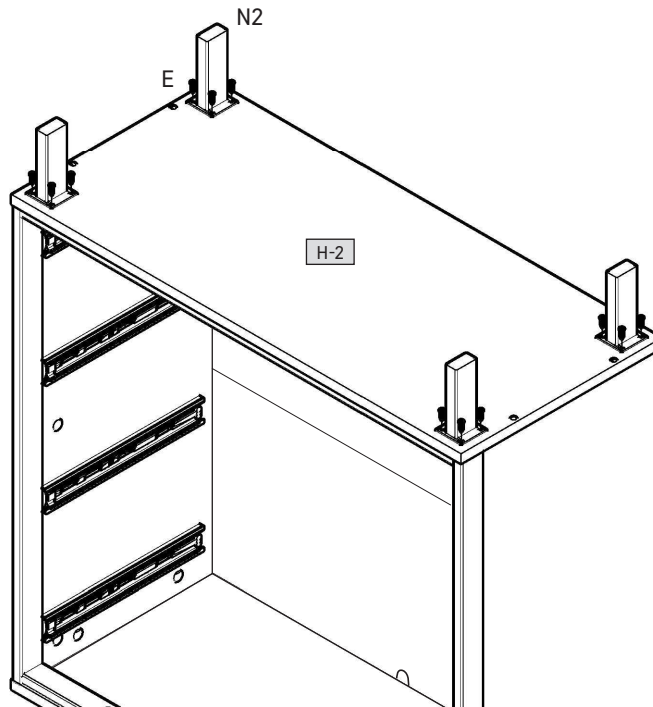
6



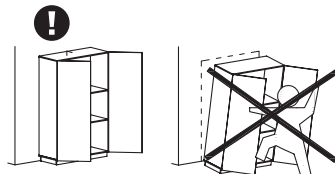
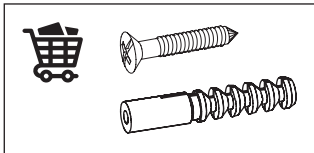
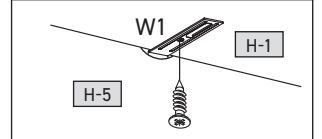
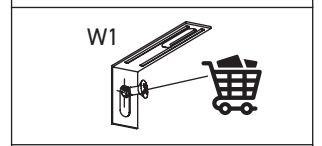
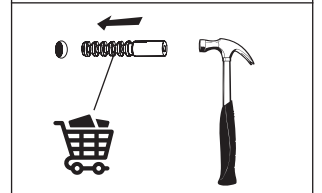
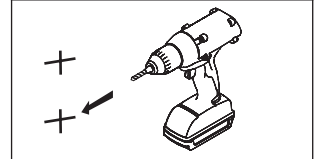
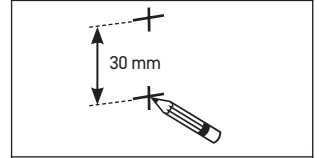
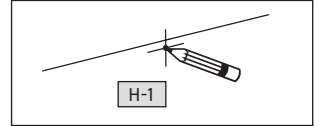
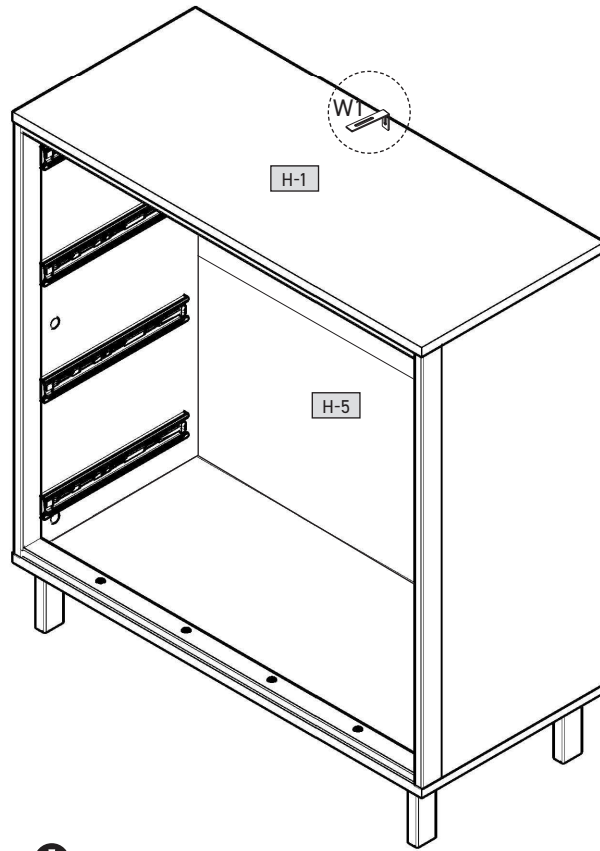
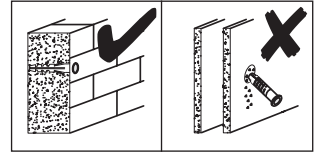
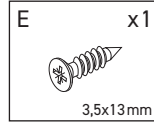
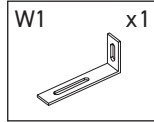
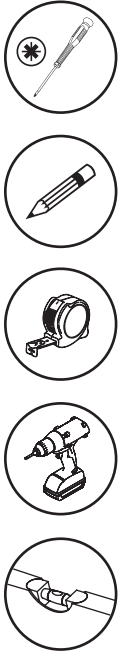
7



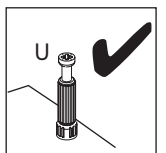
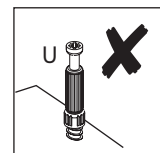
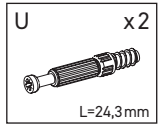
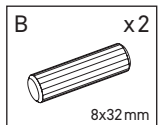
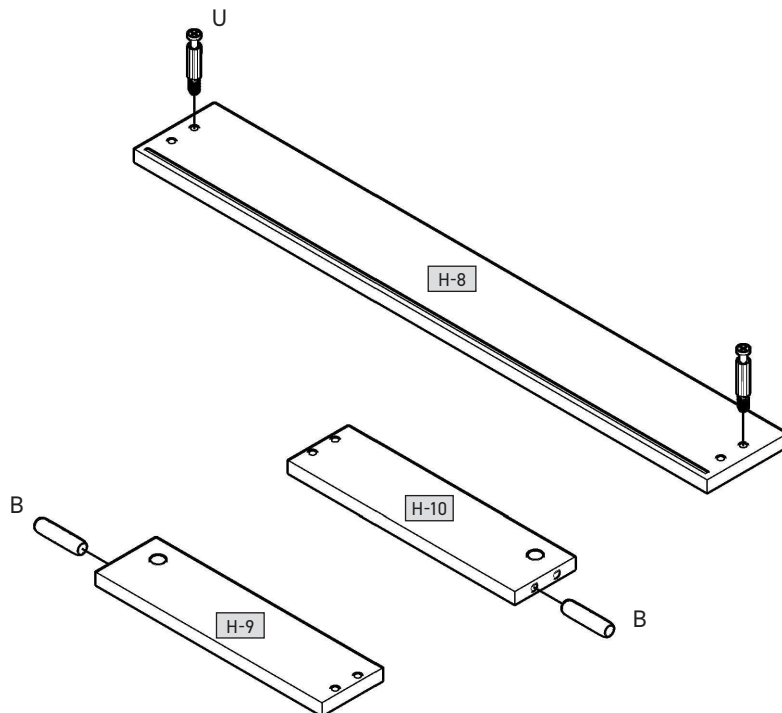
8



9

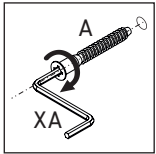
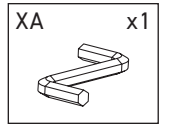
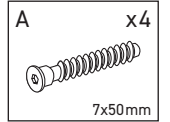
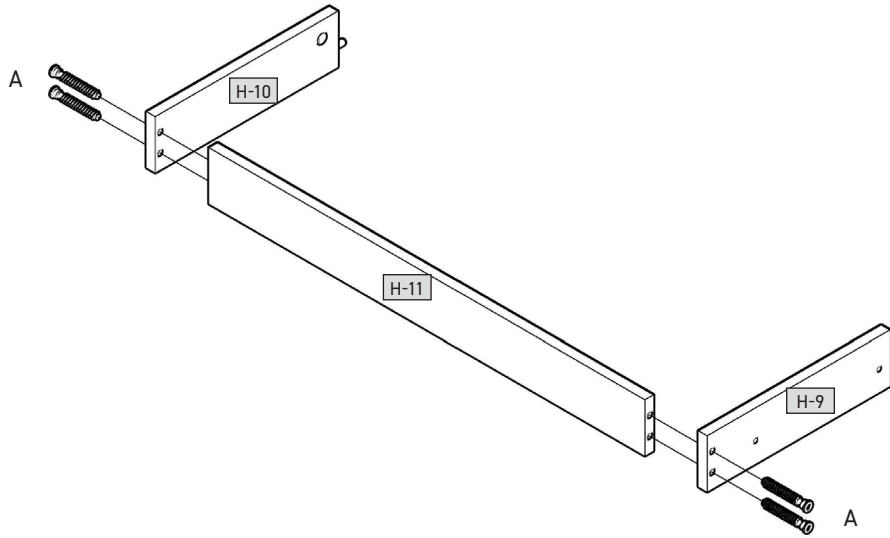


10

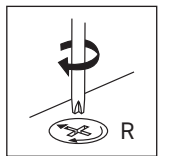
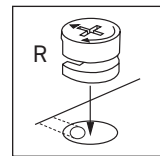
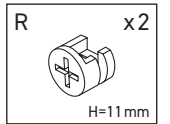
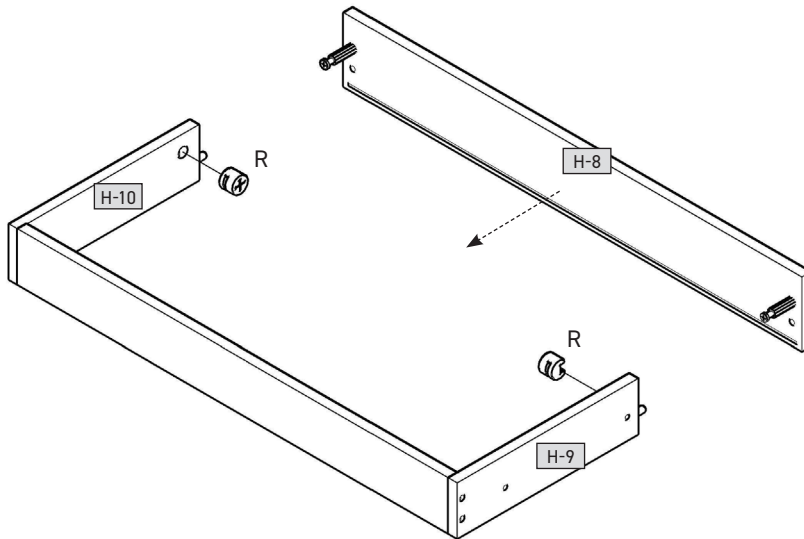




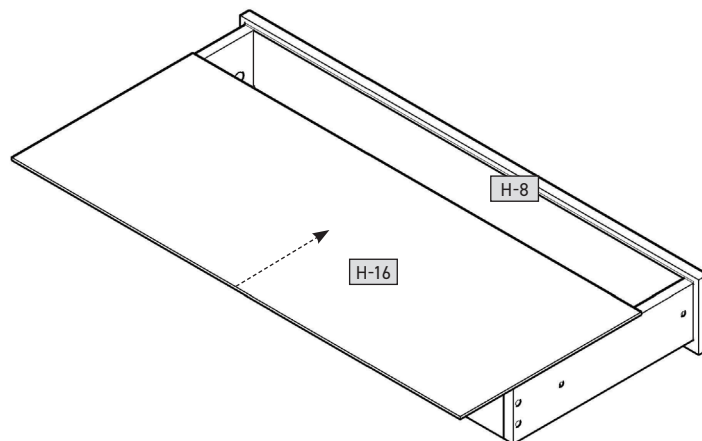
11



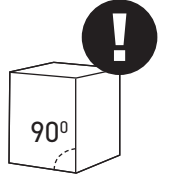
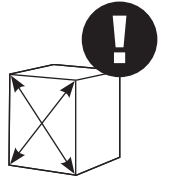
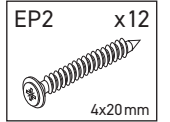
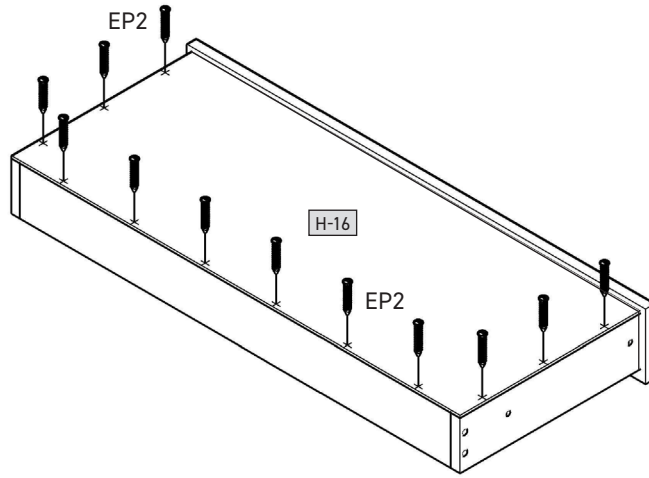
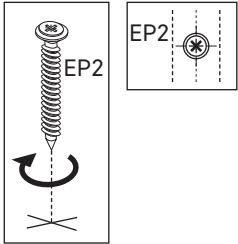
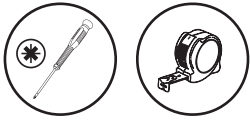
12



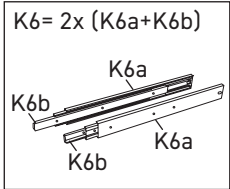
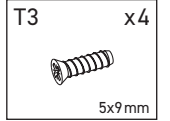
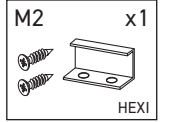
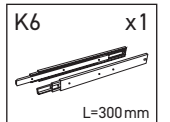
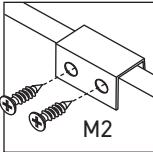
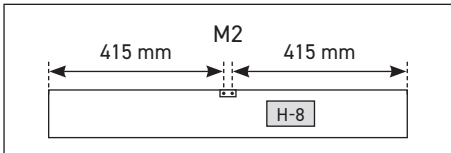
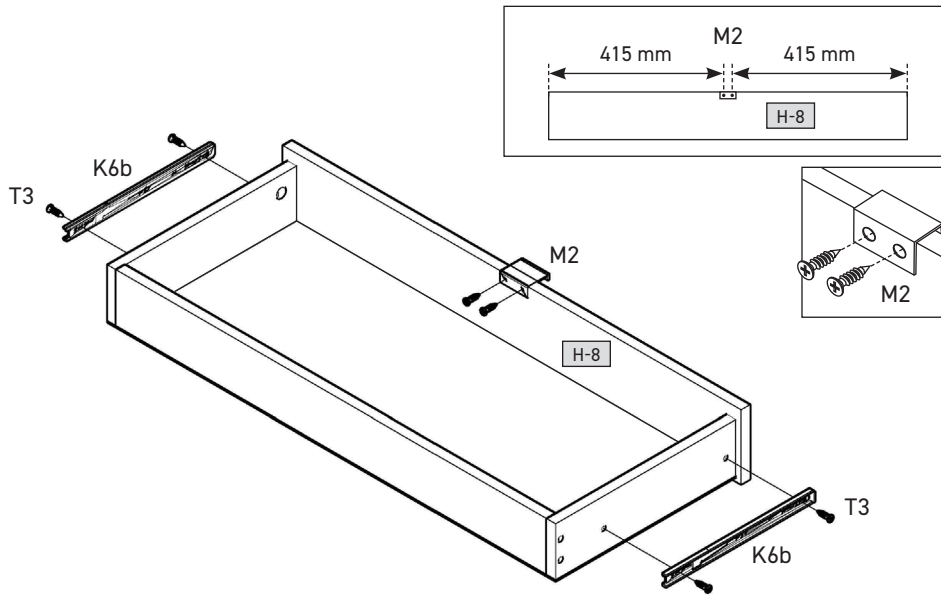
13



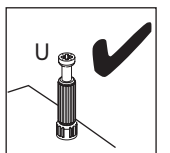
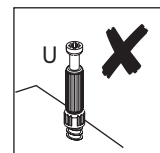
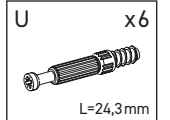
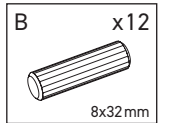
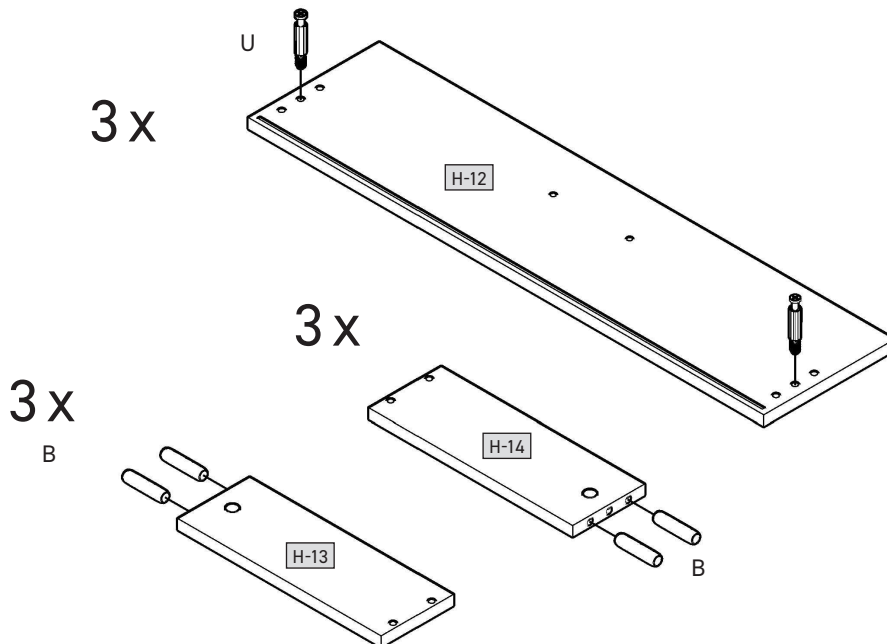
14



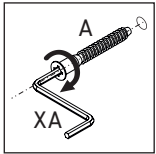
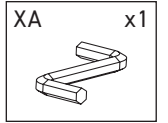
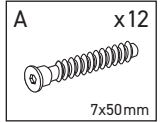
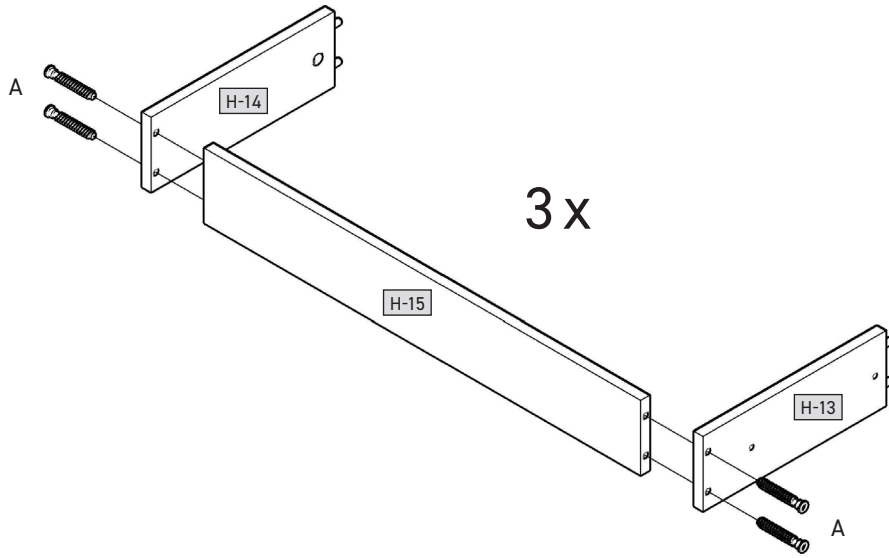
15



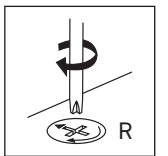
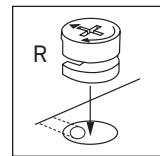
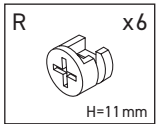
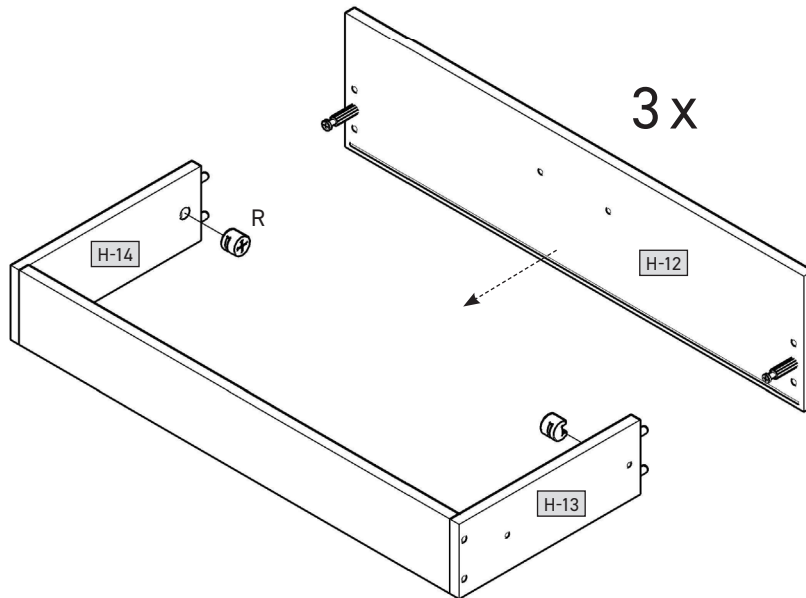
16



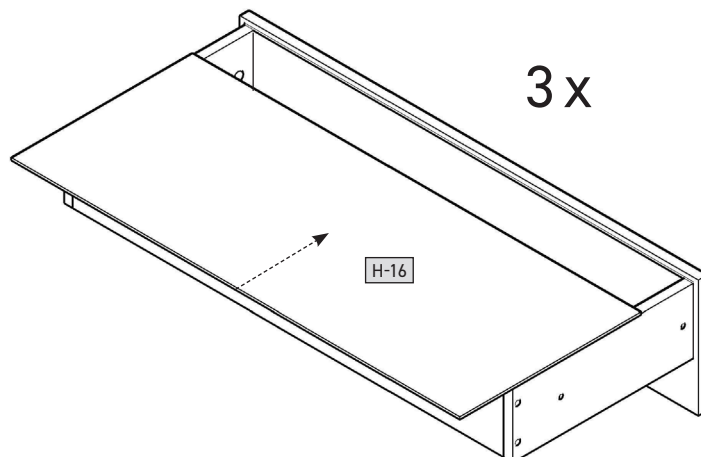
17



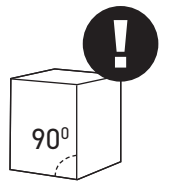
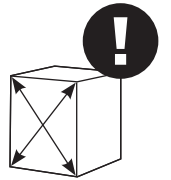
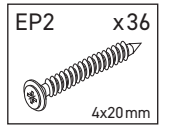
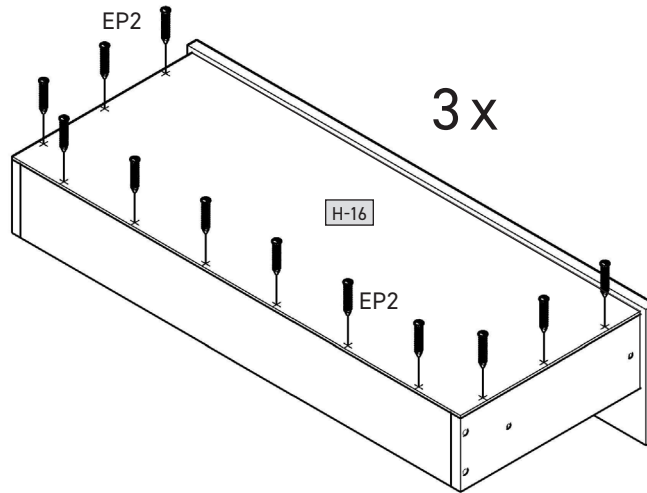
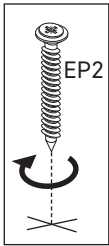
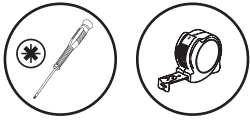
18



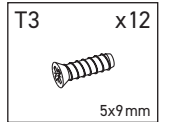
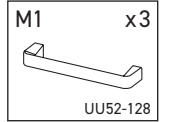
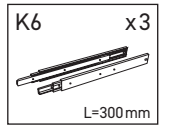
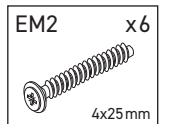
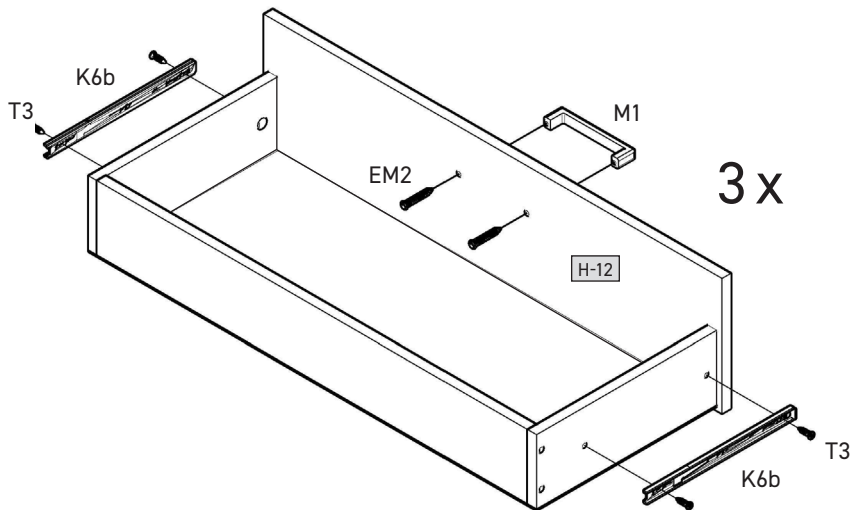
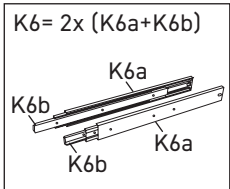
19



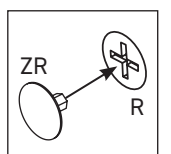
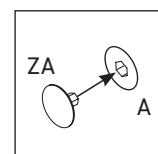
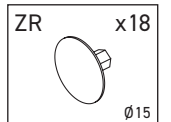
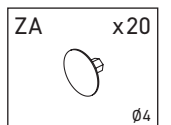
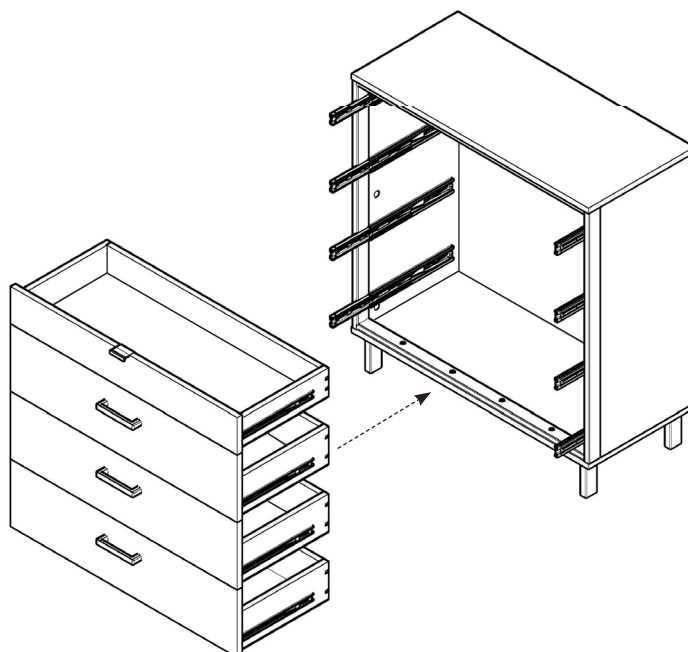
20

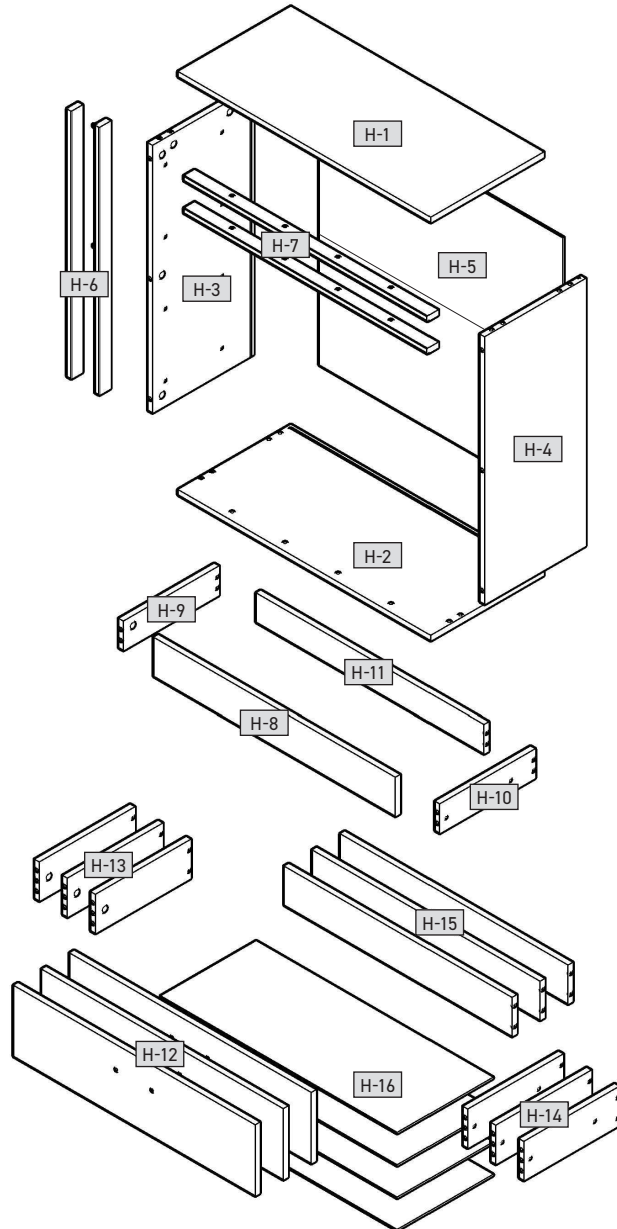
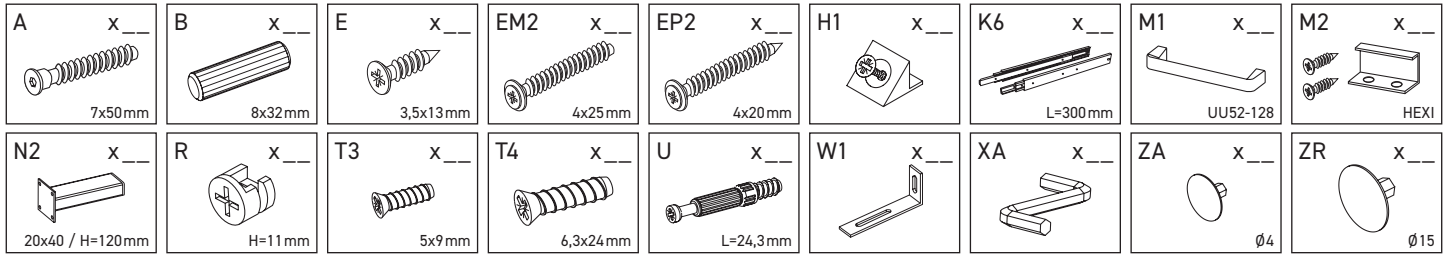


21



22





H-1	900	402	16	x 1	1/1
H-2	900	402	16	x 1	1/1
H-3	826	360	16	x 1	1/1
H-4	826	360	16	x 1	1/1
H-5	882	840	3	x 1	1/1
H-6	826	40	16	x 2	1/1
H-7	867	38	16	x 2	1/1
H-8	862	120	16	x 1	1/1
H-9	340	90	16	x 1	1/1
H-10	340	90	16	x 1	1/1
H-11	811	90	16	x 1	1/1
H-12	862	219	16	x 3	1/1
H-13	340	120	16	x 3	1/1
H-14	340	120	16	x 3	1/1
H-15	811	120	16	x 3	1/1
H-16	842	346	3	x 4	1/1

