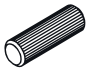
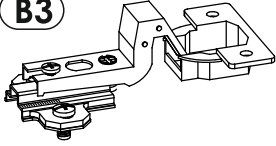


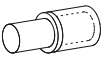




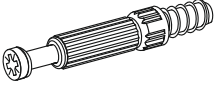




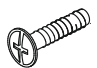

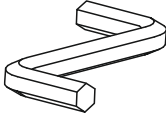
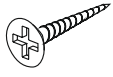
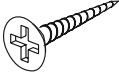
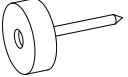
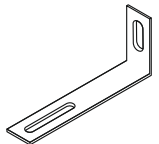
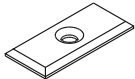
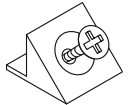
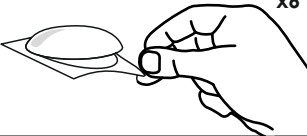
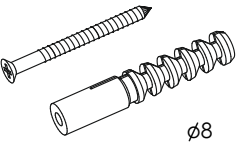
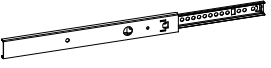
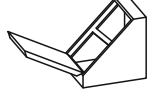
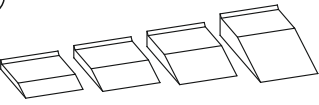
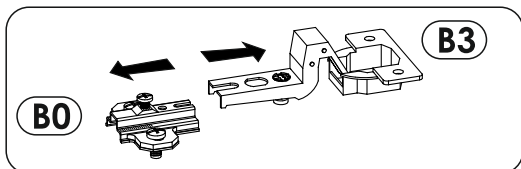
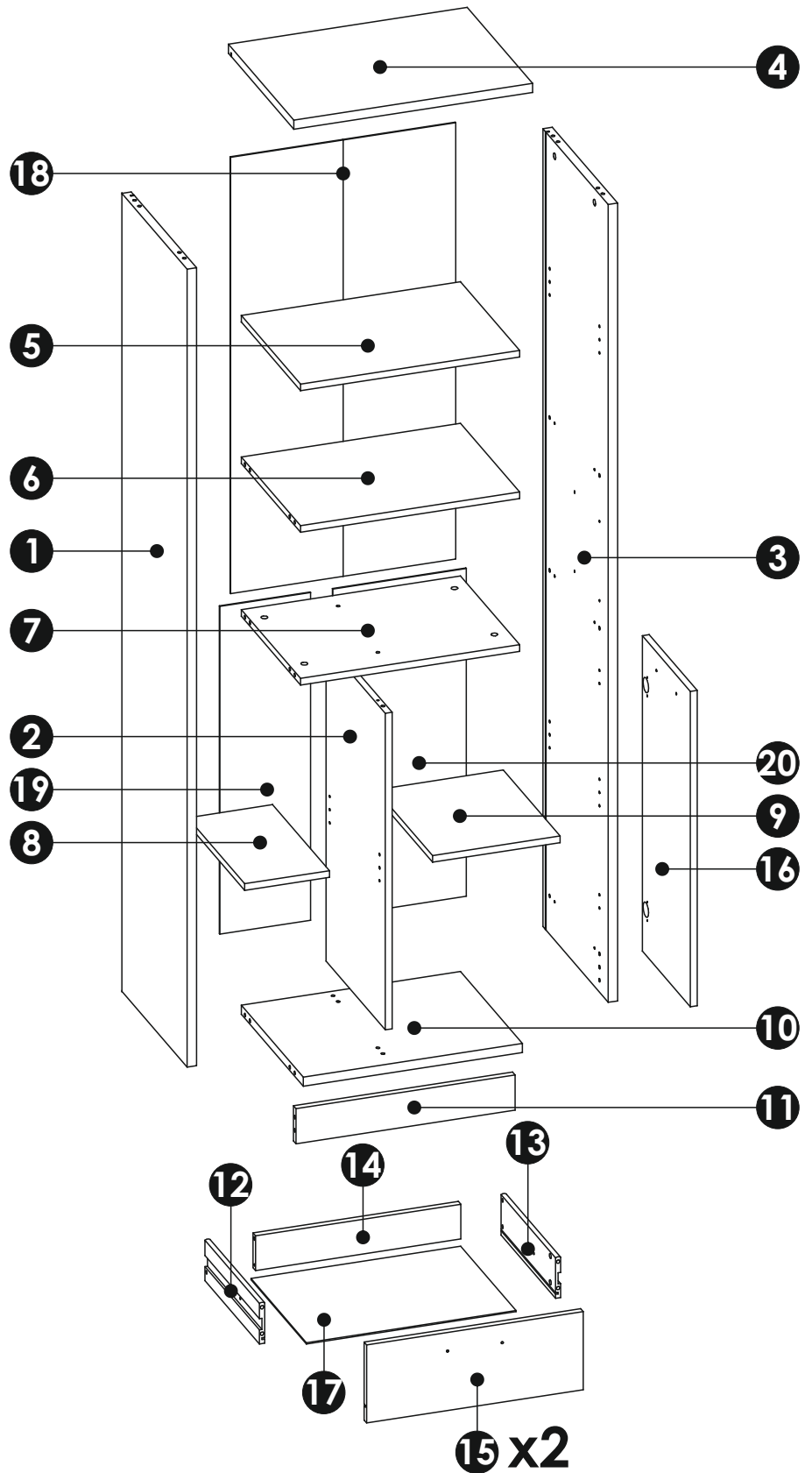
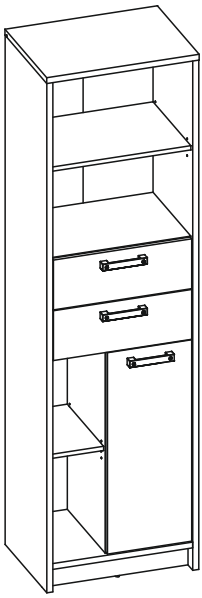


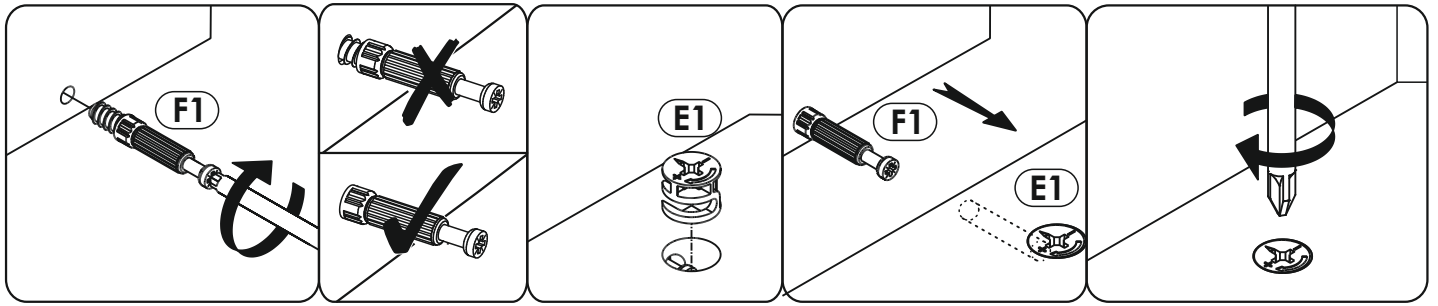
A1 8 x 35 mm x28 	B0 + B3 x2 	C1 4 x 13 mm x4 
C2 5 x 13 mm x8 	D2 x4 	D6 x8 
E0 x4 	E1 15 x 12 mm x16 	E3 13 x 10,7 mm x8 
F1 6 x 34 mm x24 	G1 7 x 50 mm x6 	G2 7 x 60 mm x2 
H1 x3 	I2 4 x 16 mm x2 	I6 4 x 27 mm x6 
K1 4 x 9 mm x4 	M x1 	N1 3 X 16 mm x25 
N2 3,5 X 16 mm x2 	O2 x5 	Q9 x2 
R1 x8 	R4 x13 	R8 x6 
S13 x2  ø8	T3 L-251 x4 	W x1 
Z x1 		



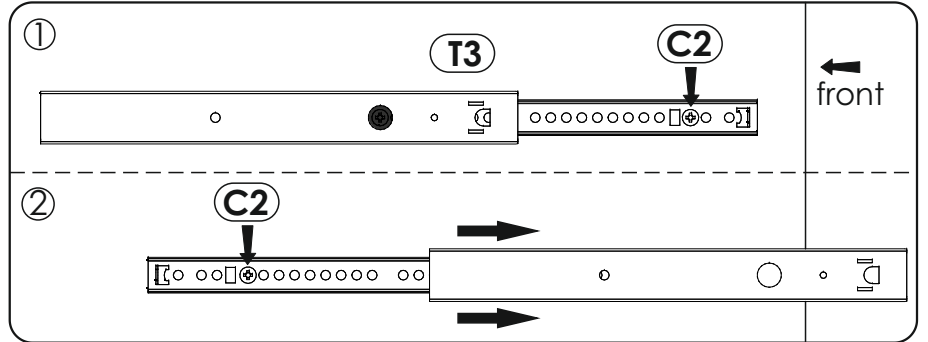
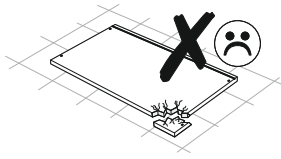
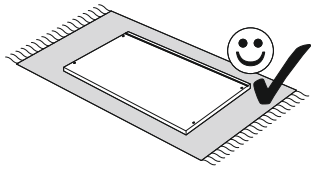


1	1933	419	22	x1	2/2
2	767	380	16	x1	1/2
3	1933	419	22	x1	2/2
4	558	420	22	x1	1/2
5	512	380	16	x1	1/2
6	512	380	16	x1	1/2
7	512	380	16	x1	1/2
8	198	365	16	x1	1/2
9	298	365	16	x1	1/2
10	512	398	22	x1	1/2
11	512	85	16	x1	1/2
12	350	100	12	x2	2/2
13	350	100	12	x2	2/2
14	480	84	16	x2	1/2
15	506	189	16	x2	1/2
16	764	308	16	x1	1/2
17	490	355	3	x2	1/2
18	1057	526	3	x1	2/2
19	794	212	3	x1	2/2
20	794	312	3	x1	2/2

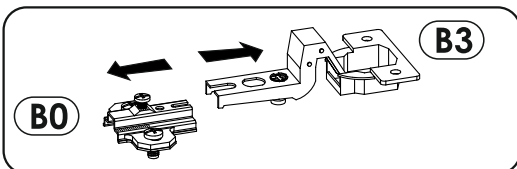
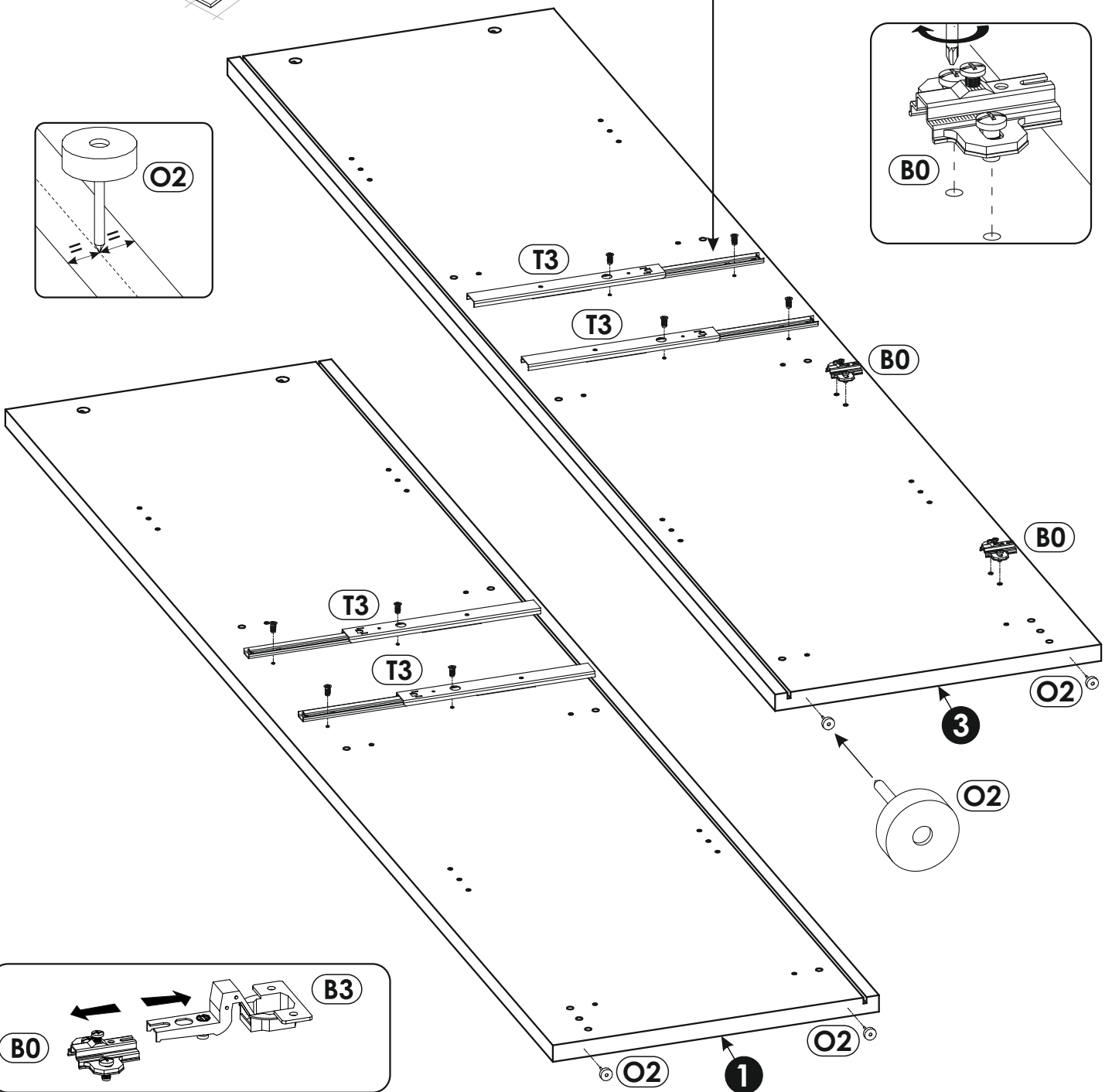
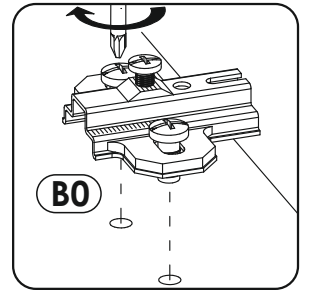
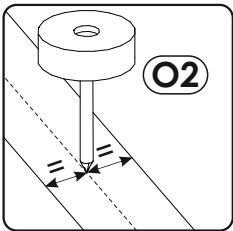
15 x2



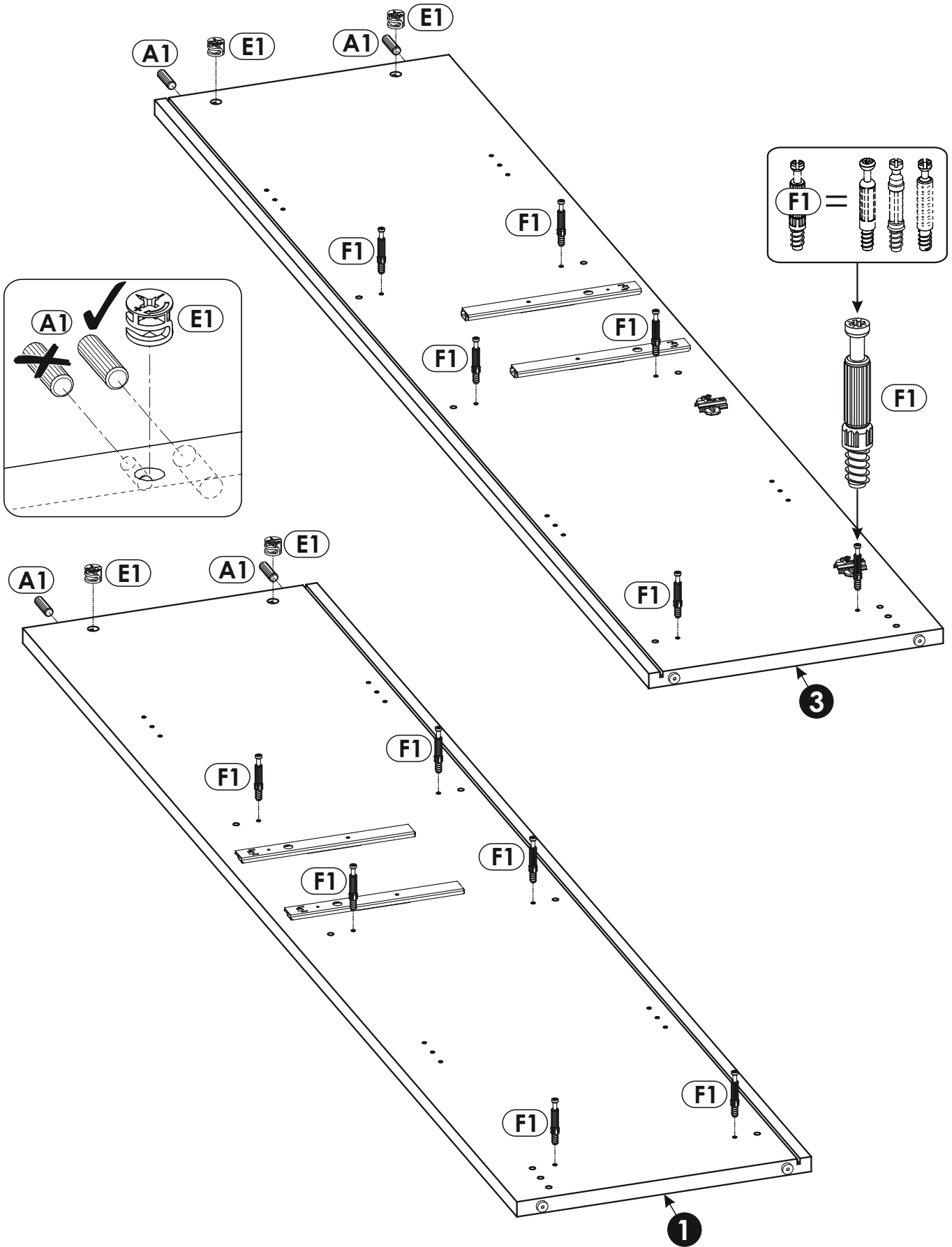
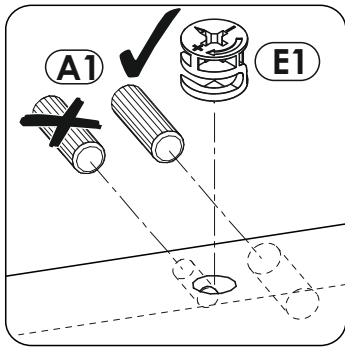
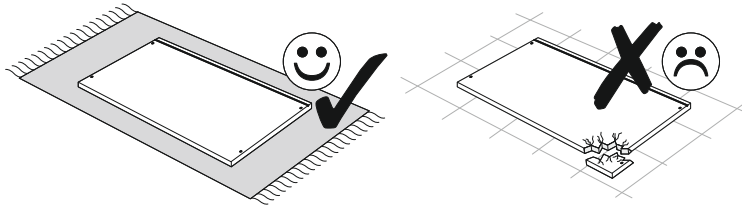
1 ▶



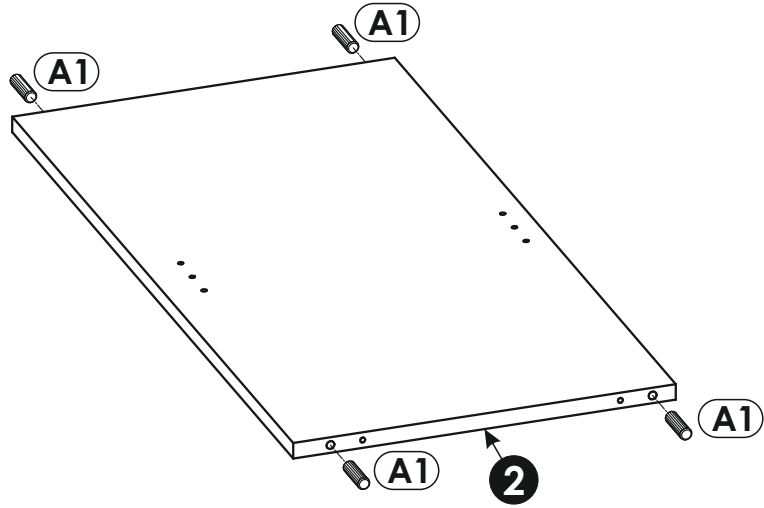
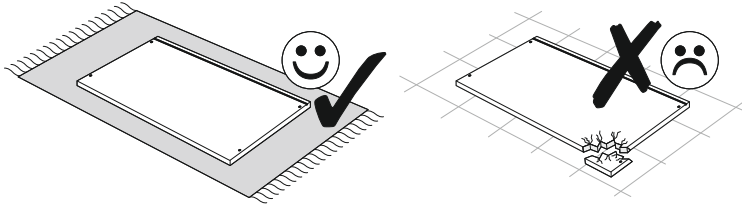
front ←



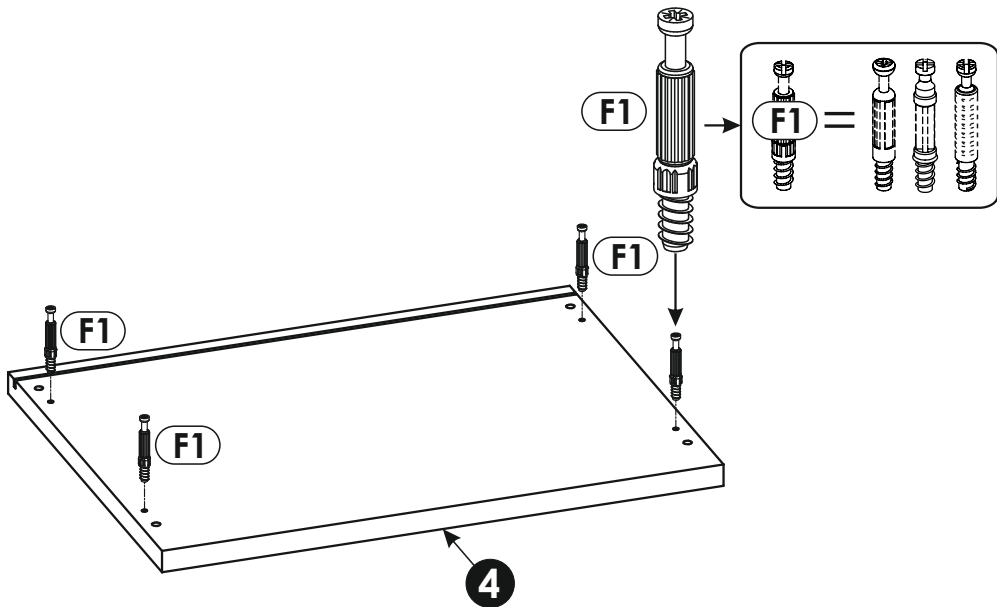
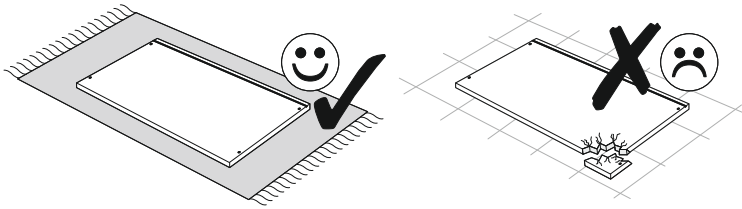
2 ▶



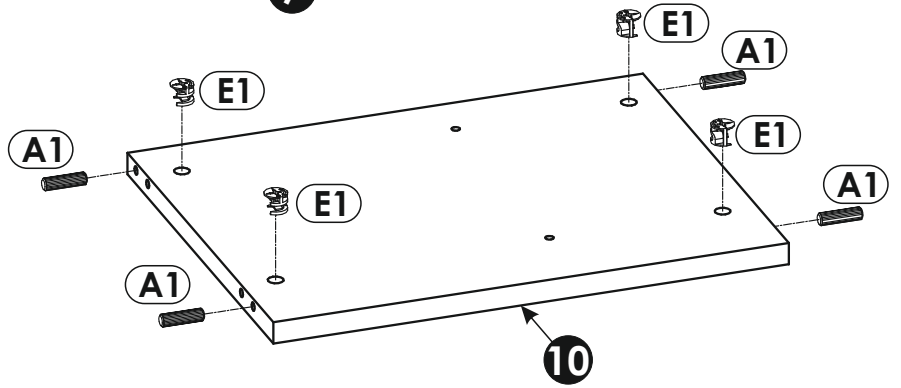
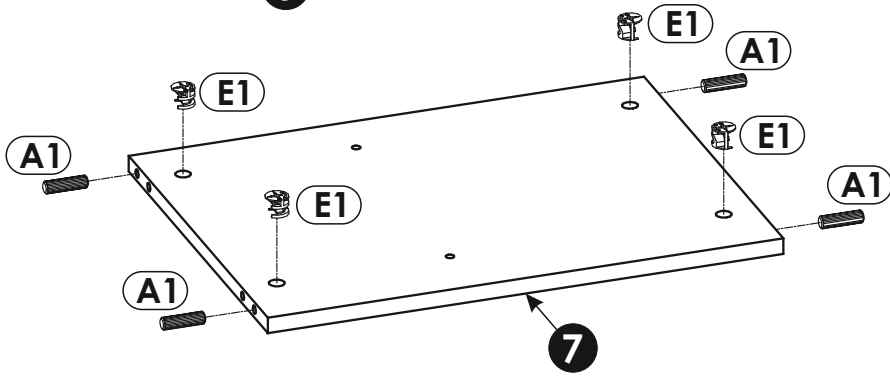
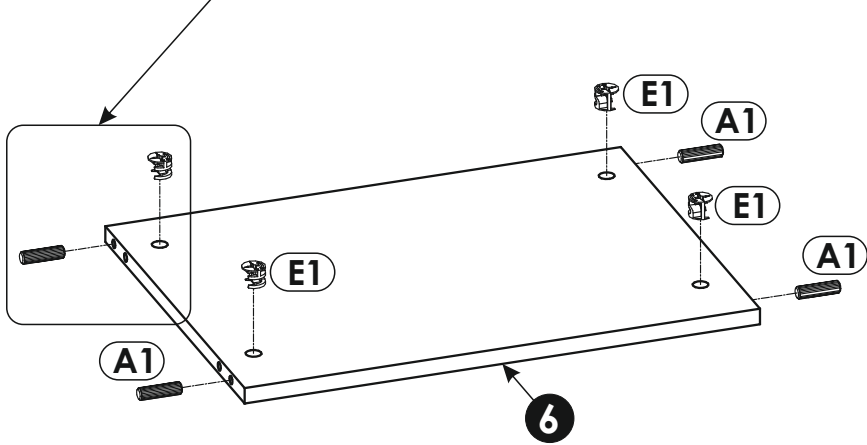
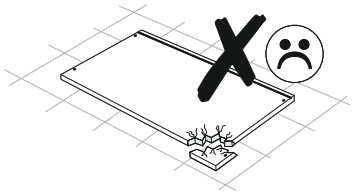
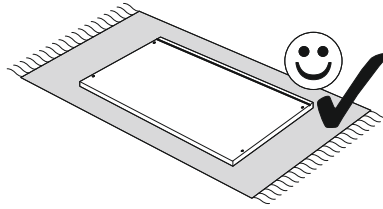
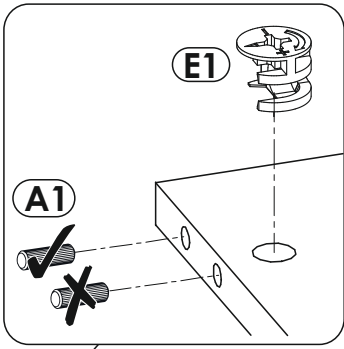
3 ▶



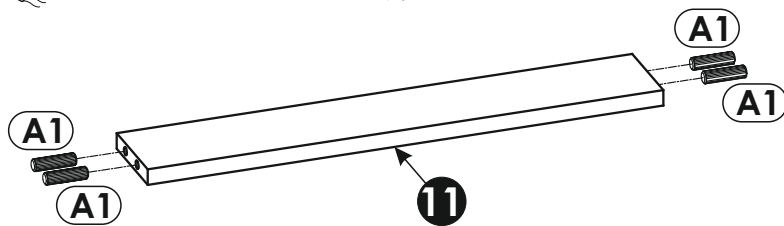
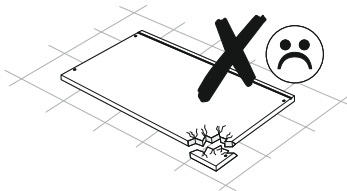
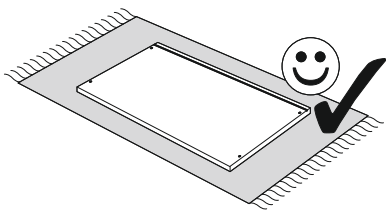
4 ▶



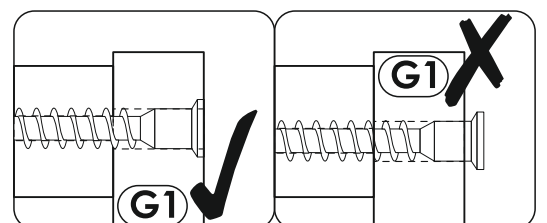
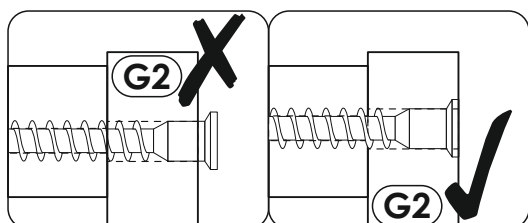
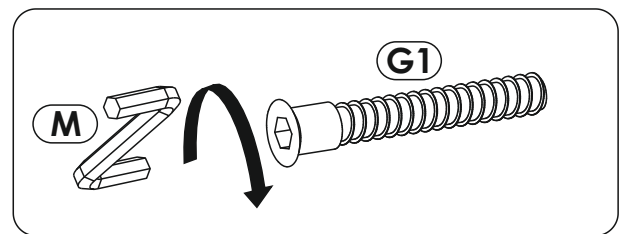
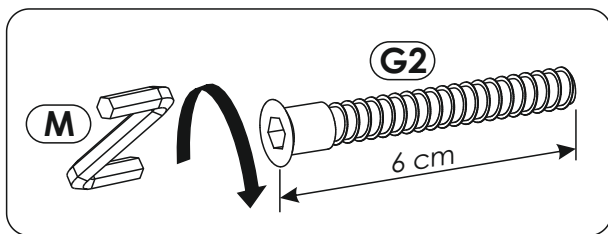
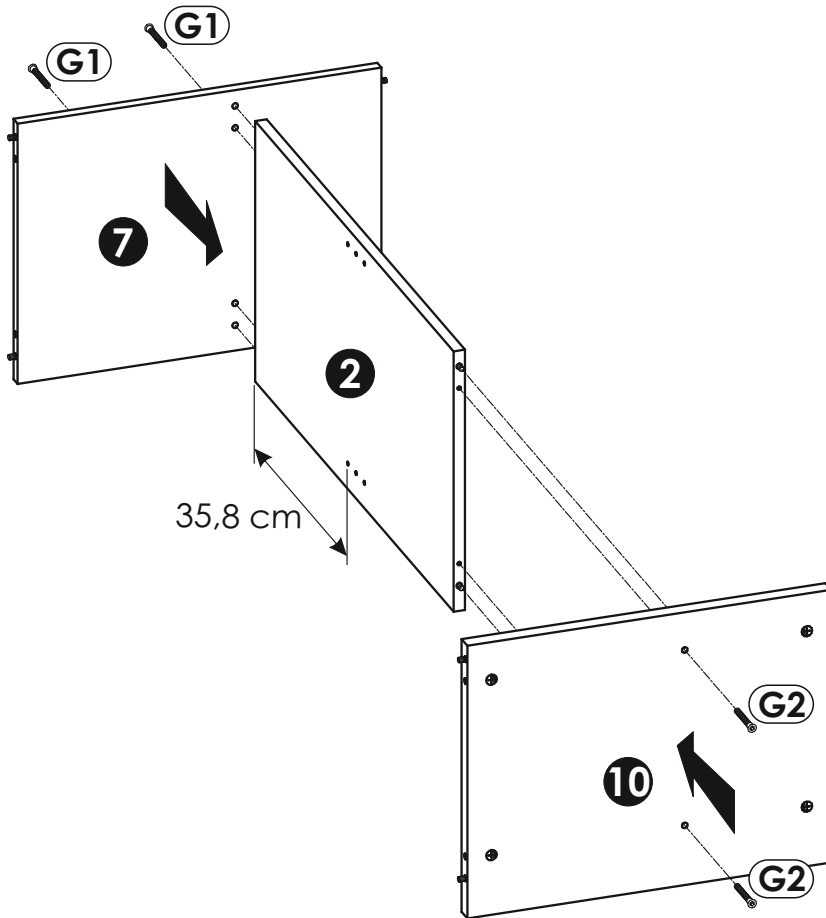
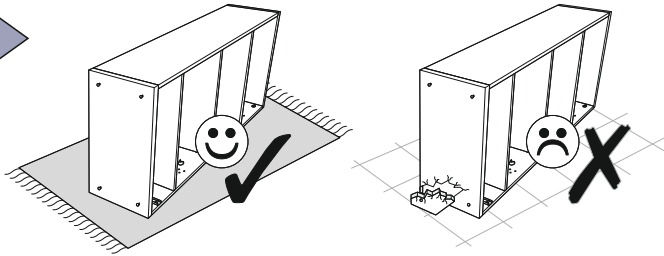
5 ▶



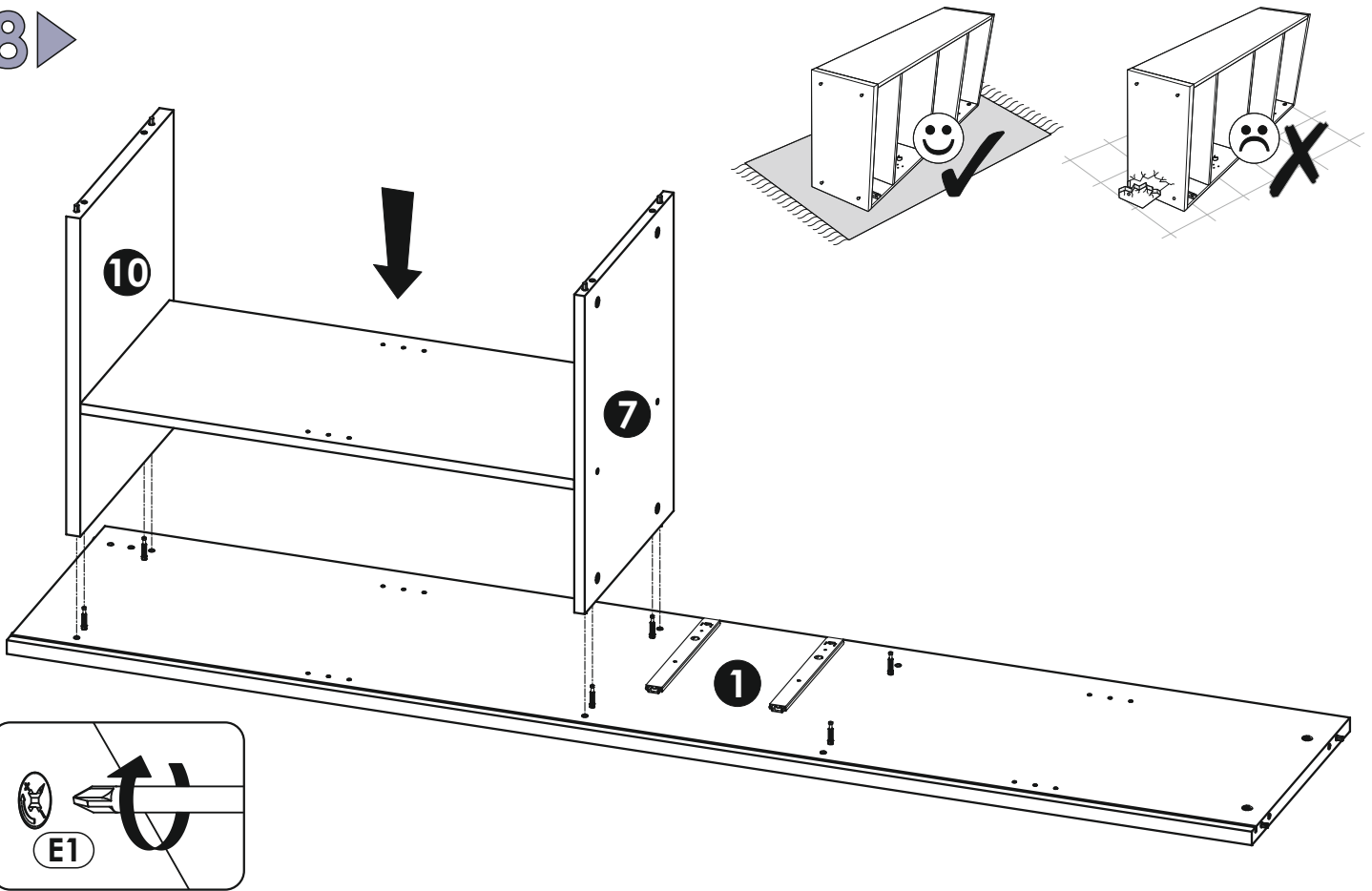
6 ▶



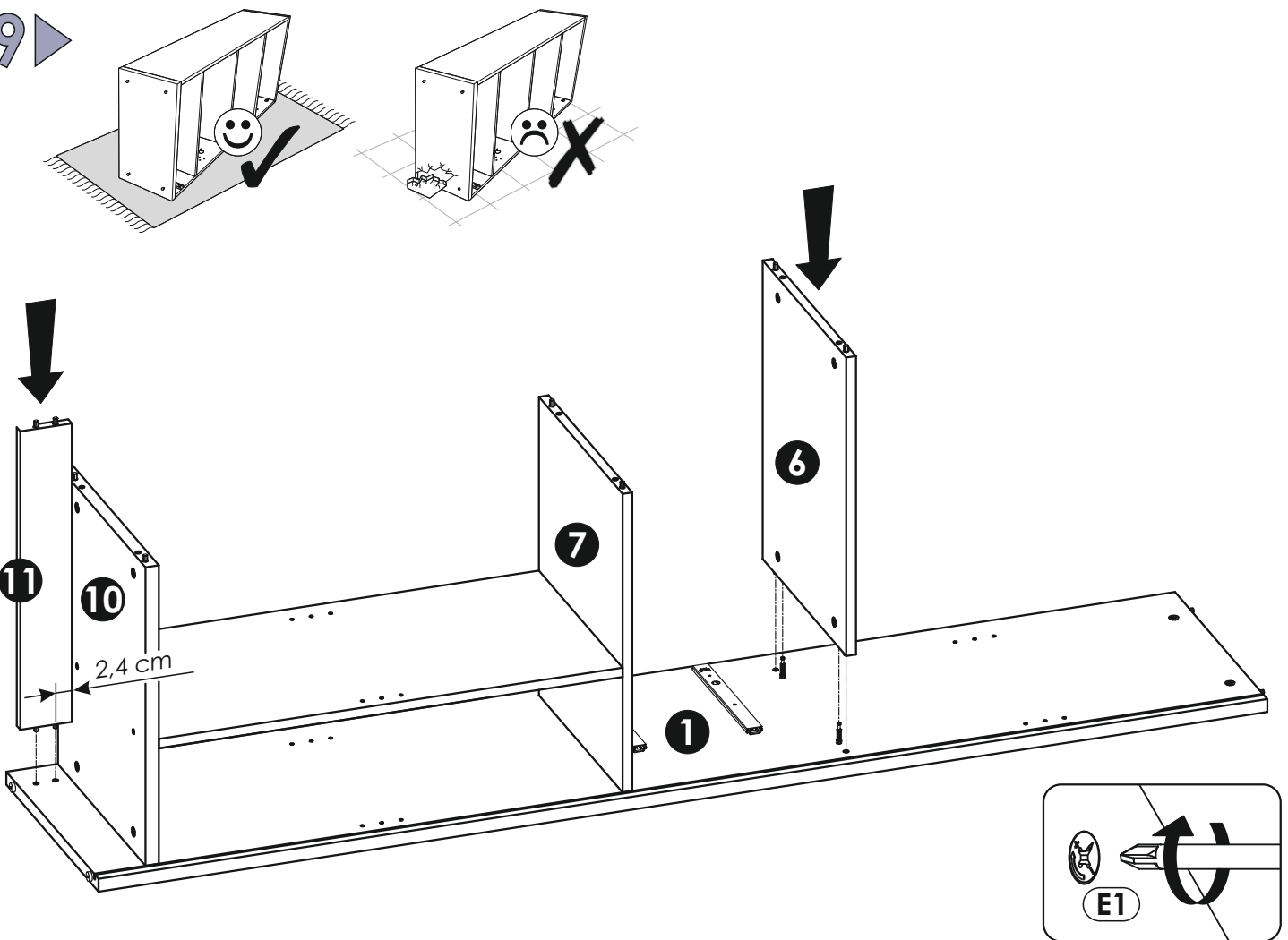
7 ▶



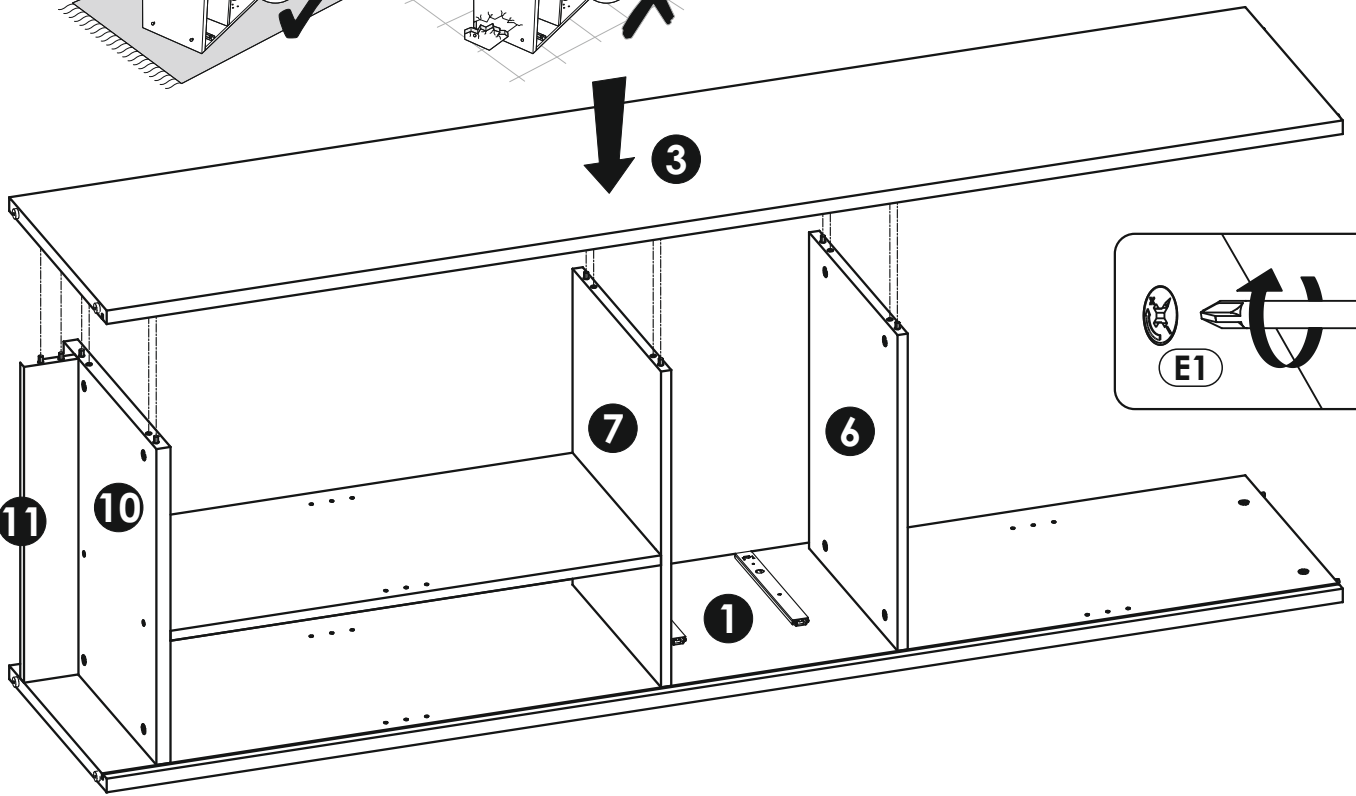
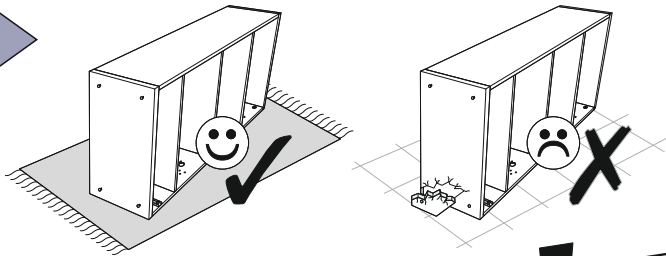
8 ▶



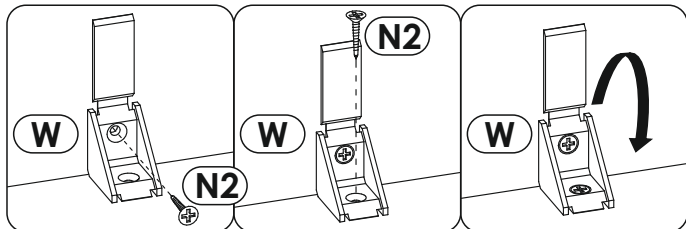
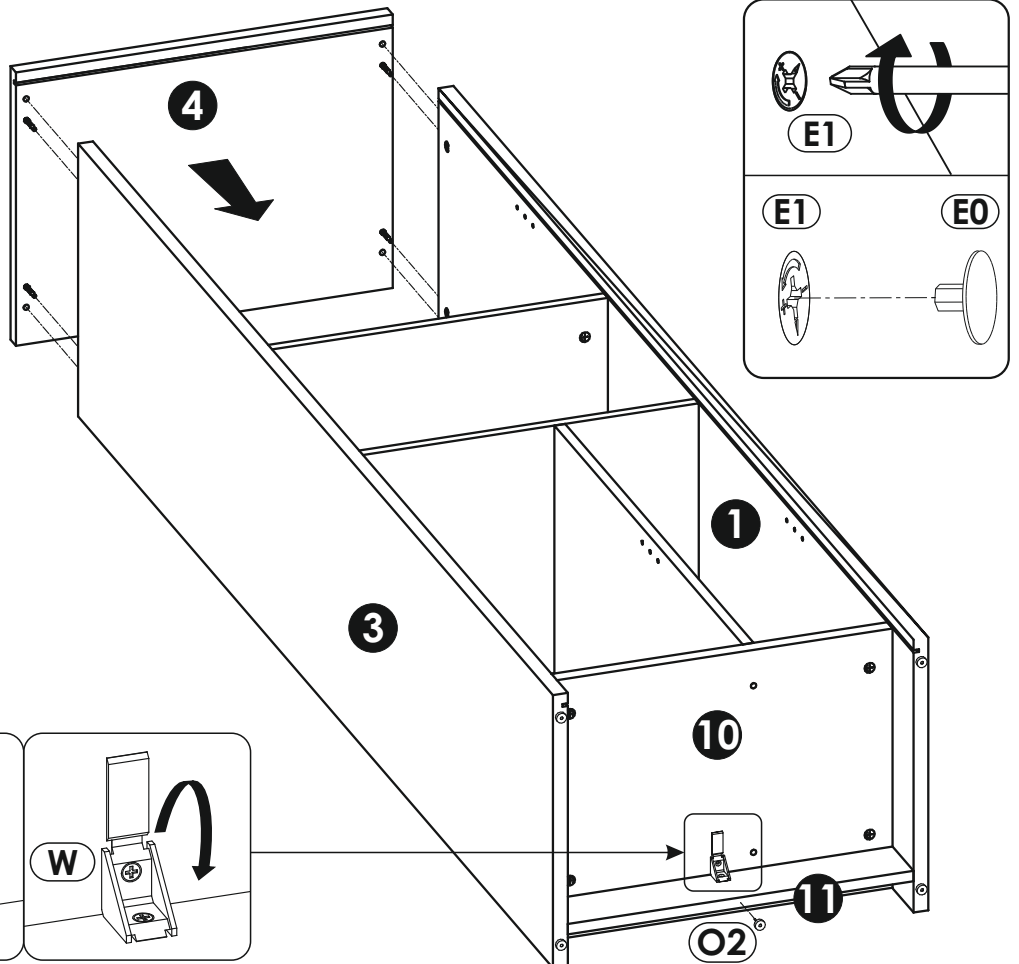
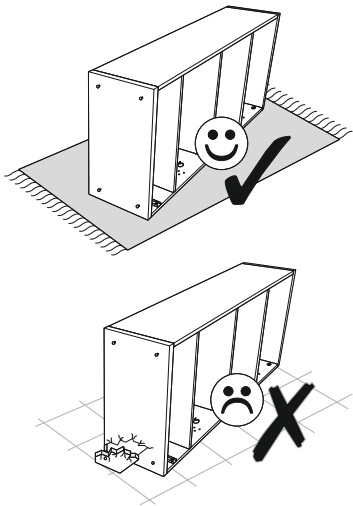
9 ▶



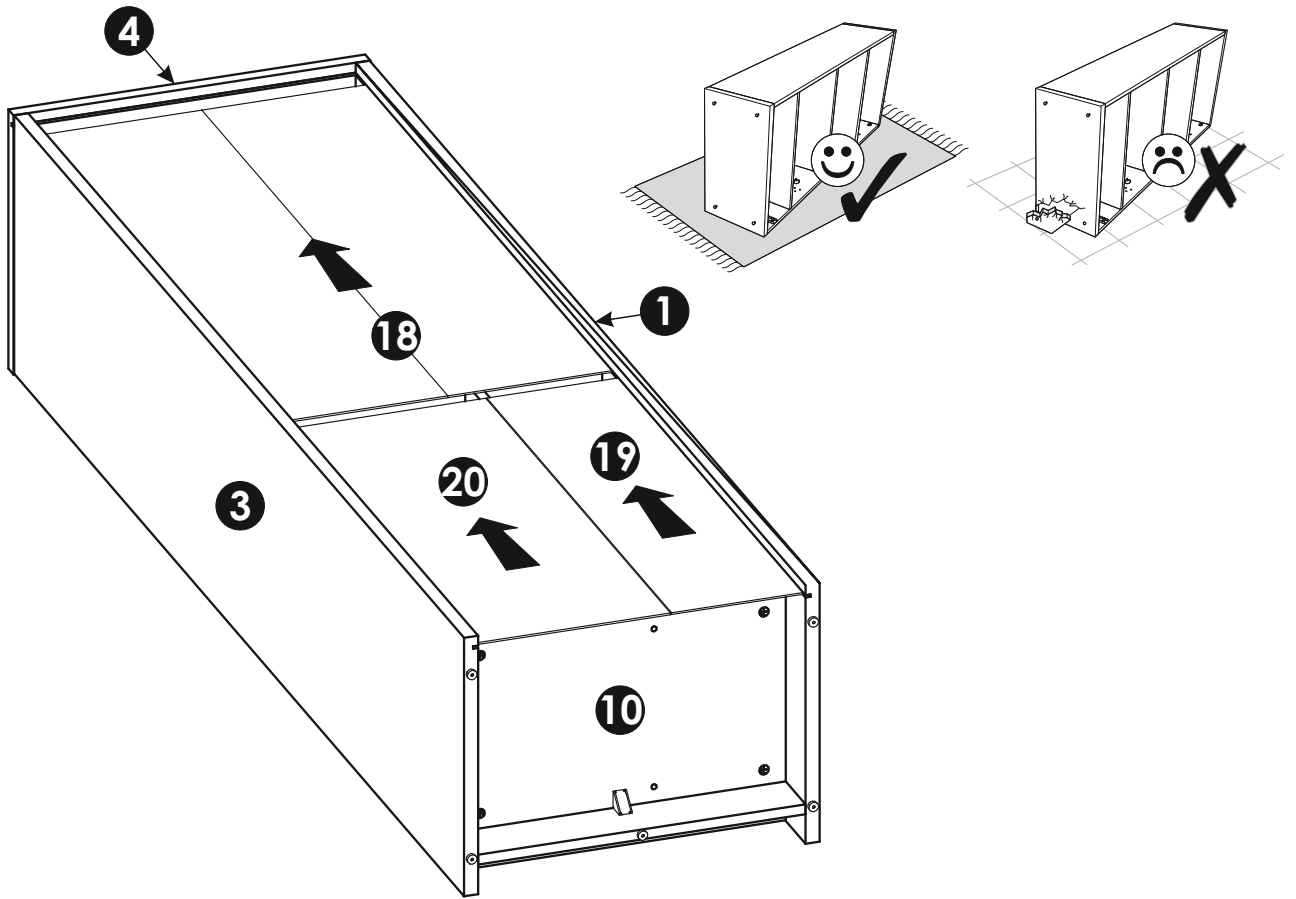
10 ▶



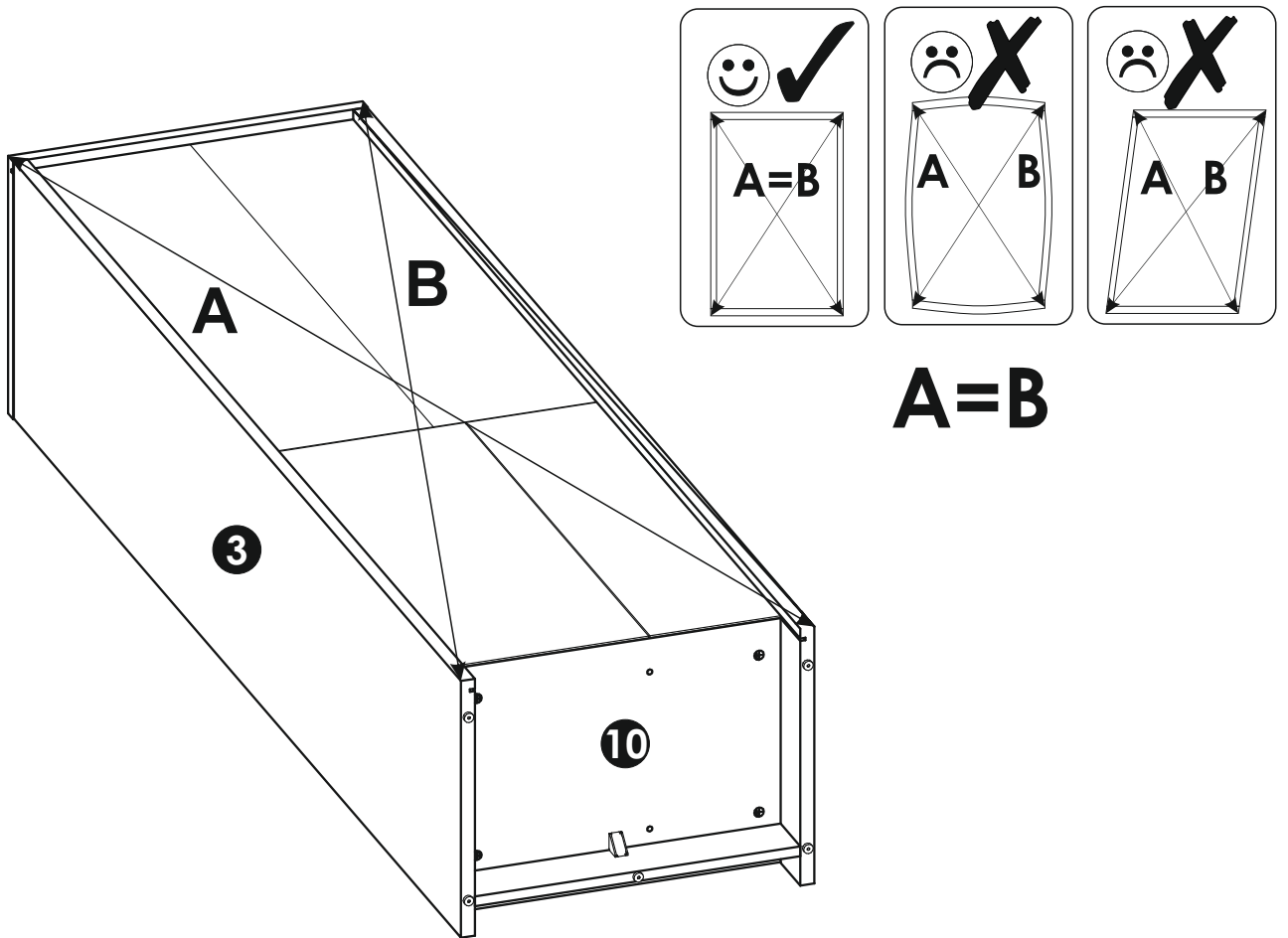
11 ▶



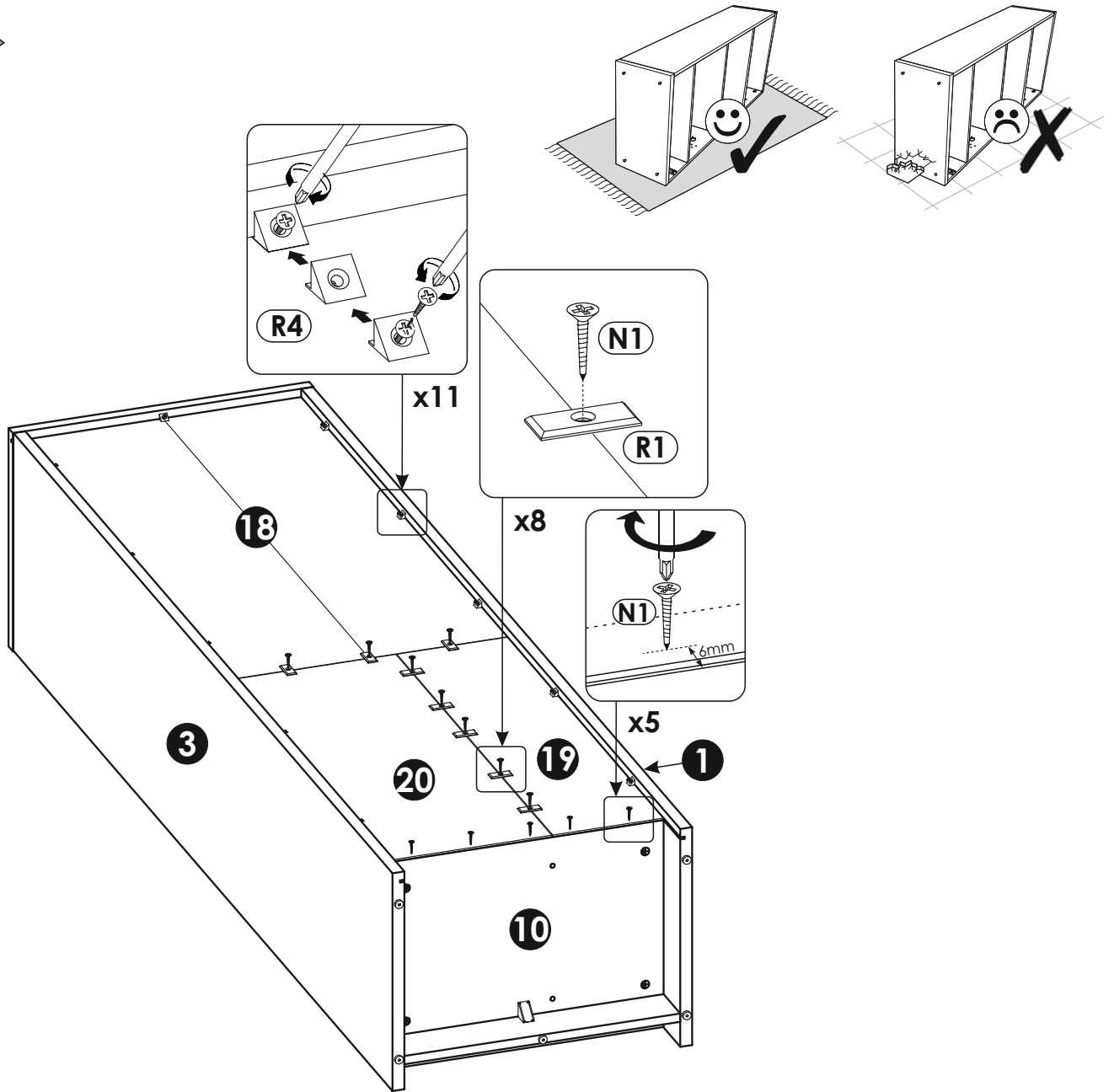
12▶



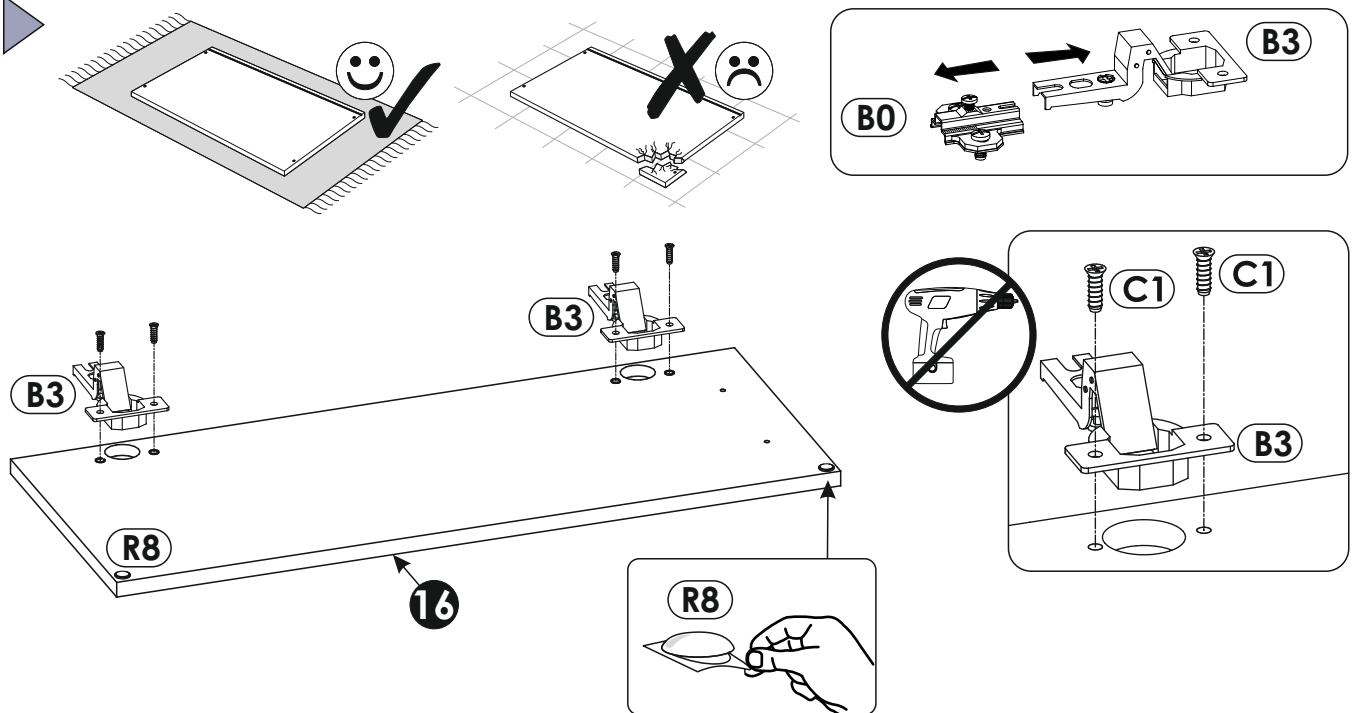
13▶

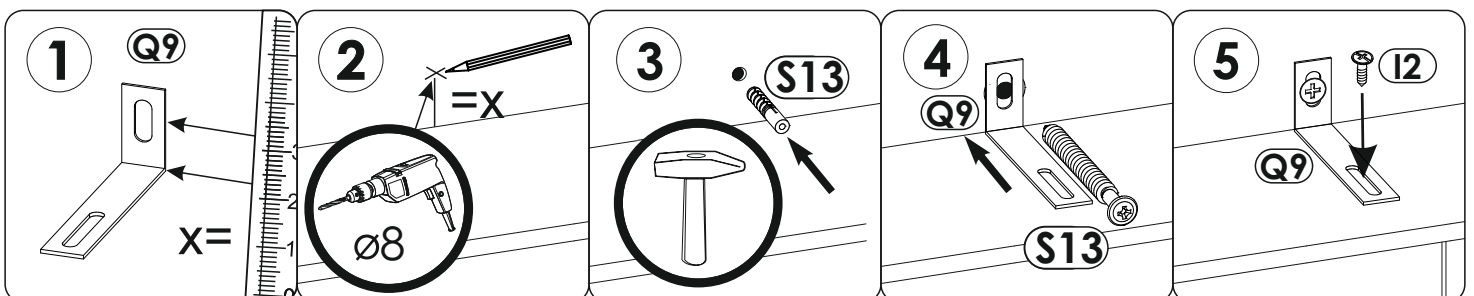
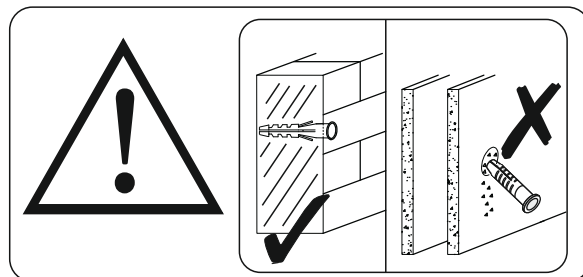
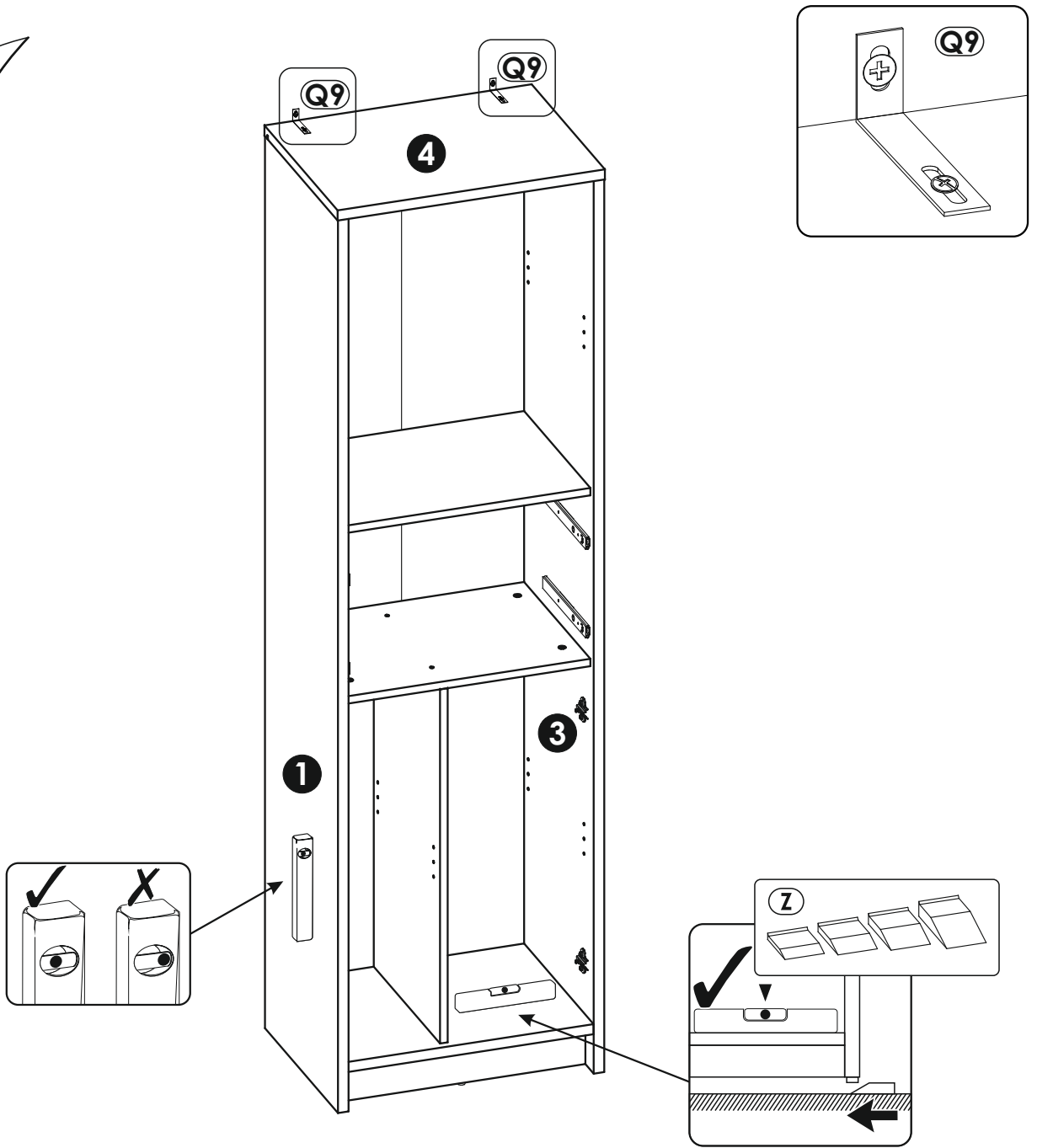
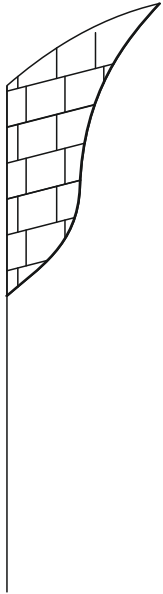


14▶

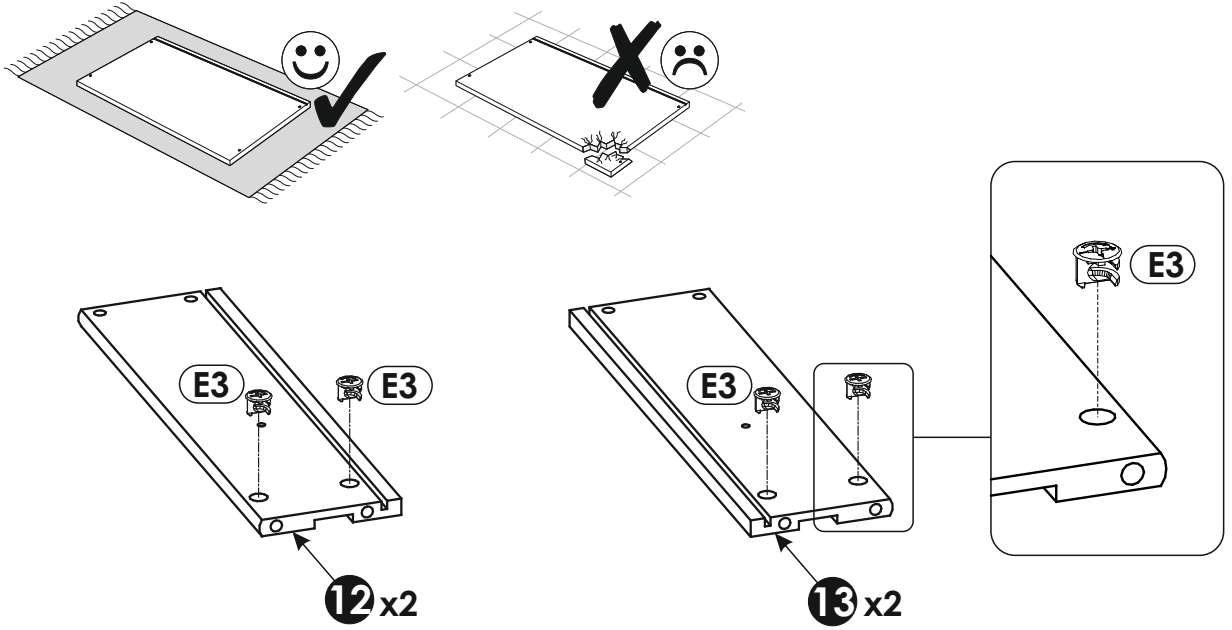


15▶

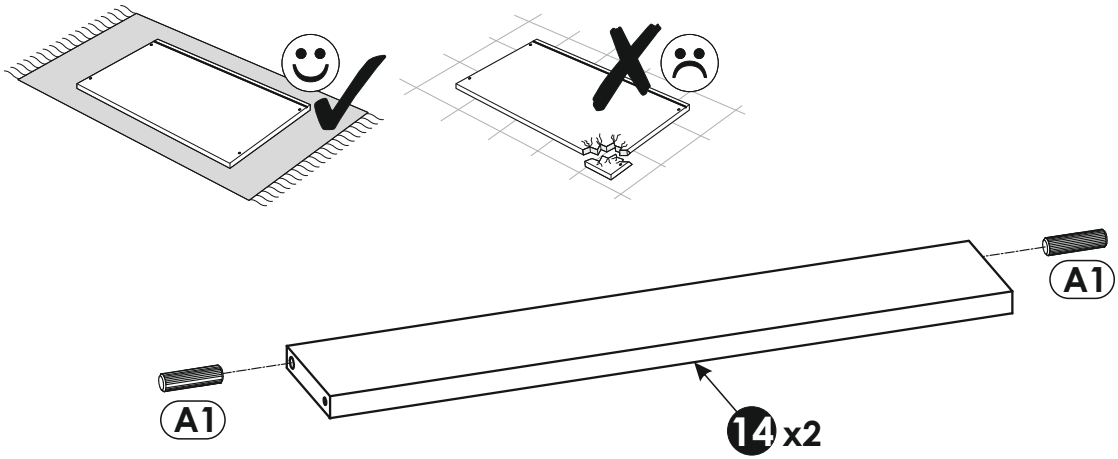




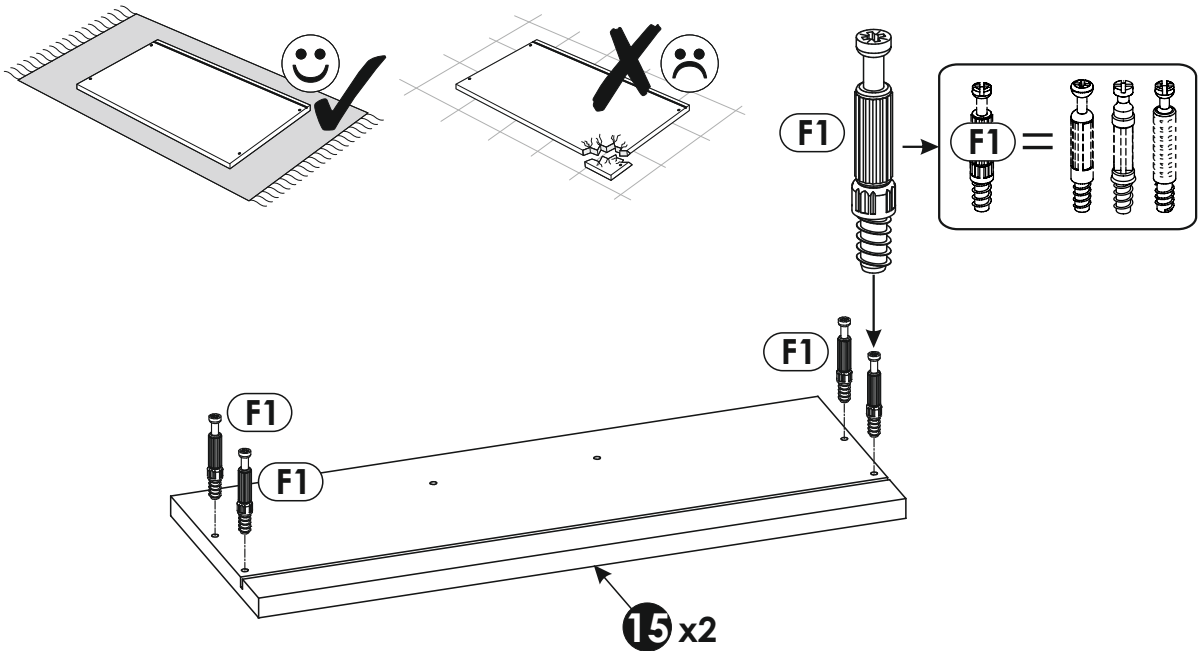
17▶



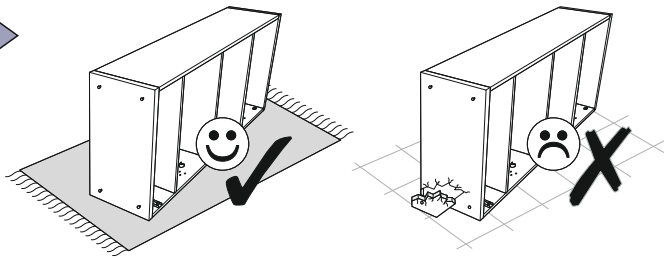
18▶



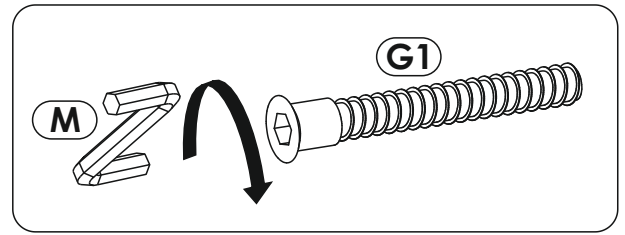
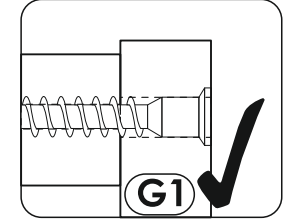
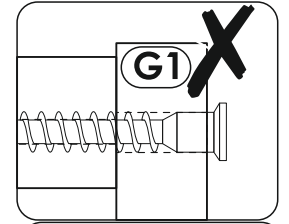
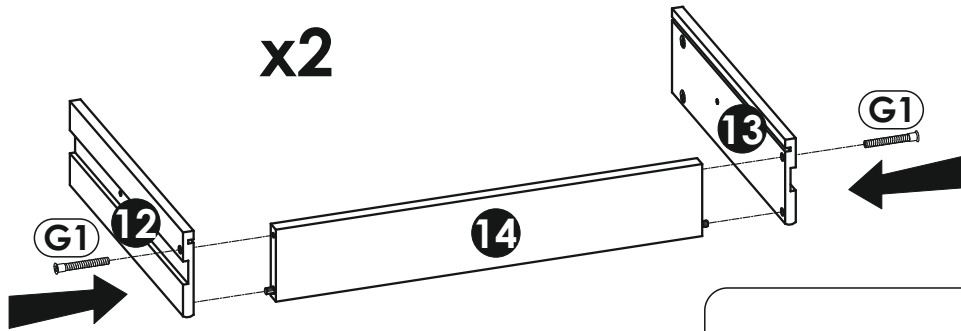
19▶



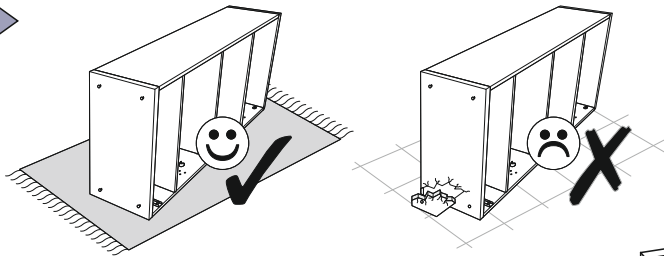
20 ▶



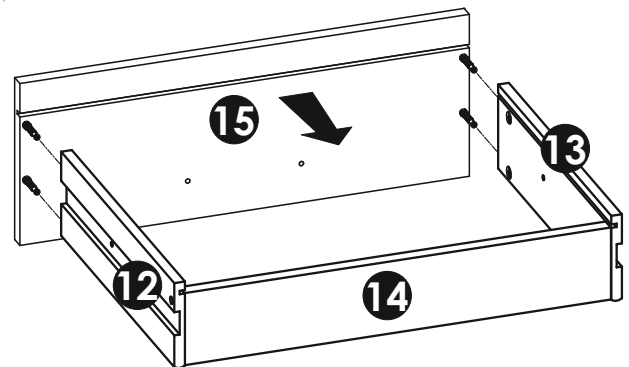
x2



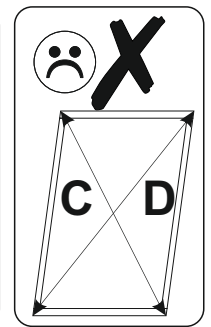
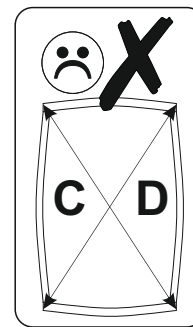
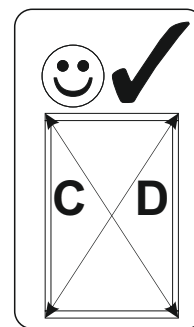
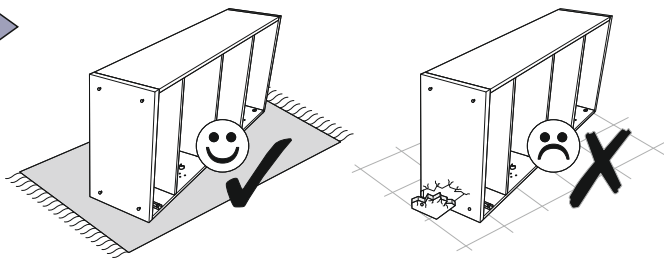
21 ▶



x2

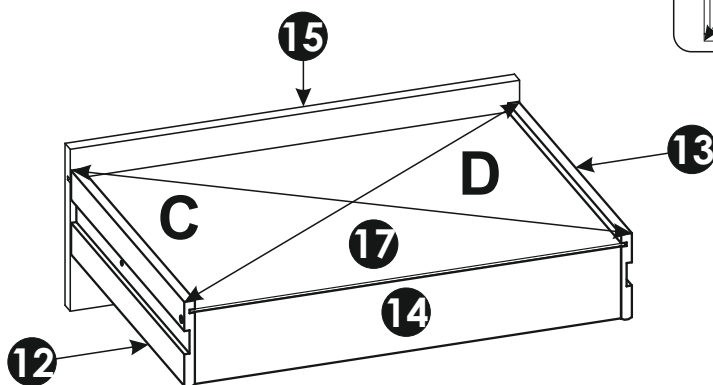


22 ▶

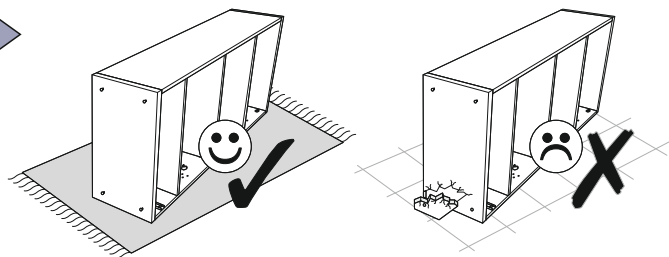


C=D

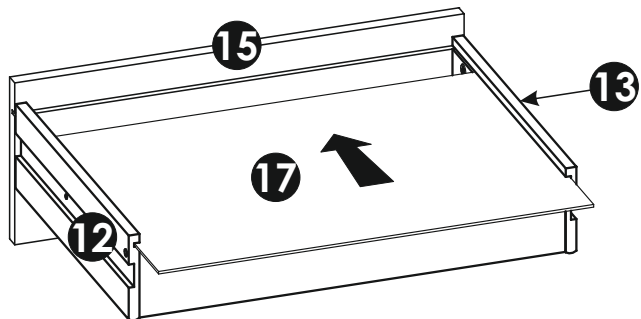
x2



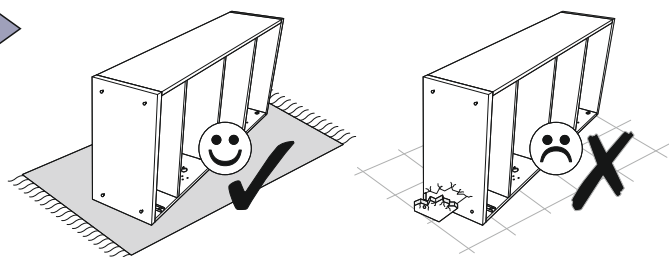
23 ▶



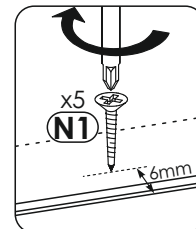
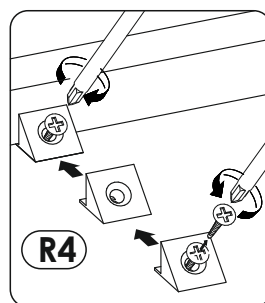
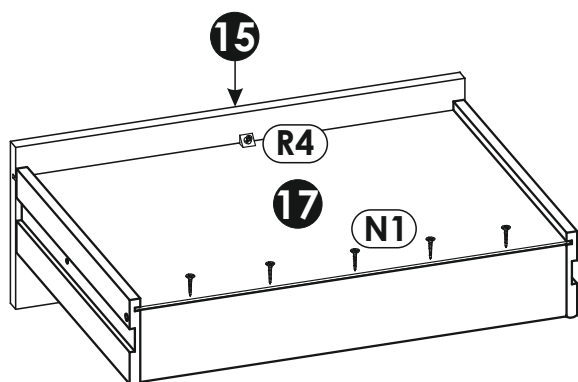
x2



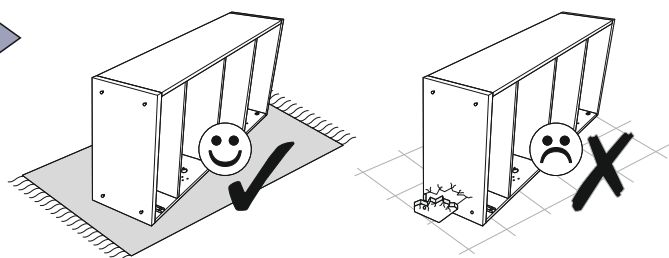
24 ▶



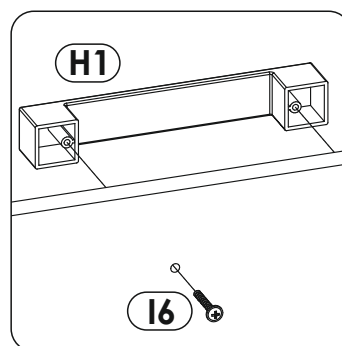
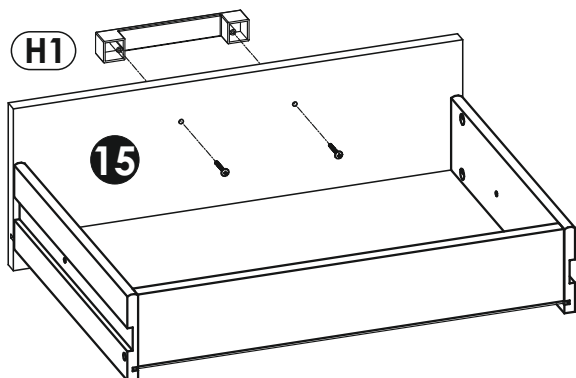
x2



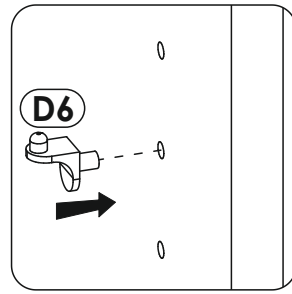
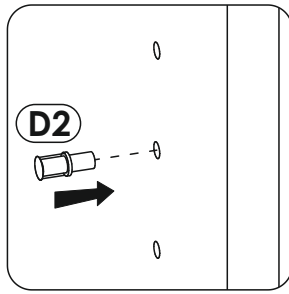
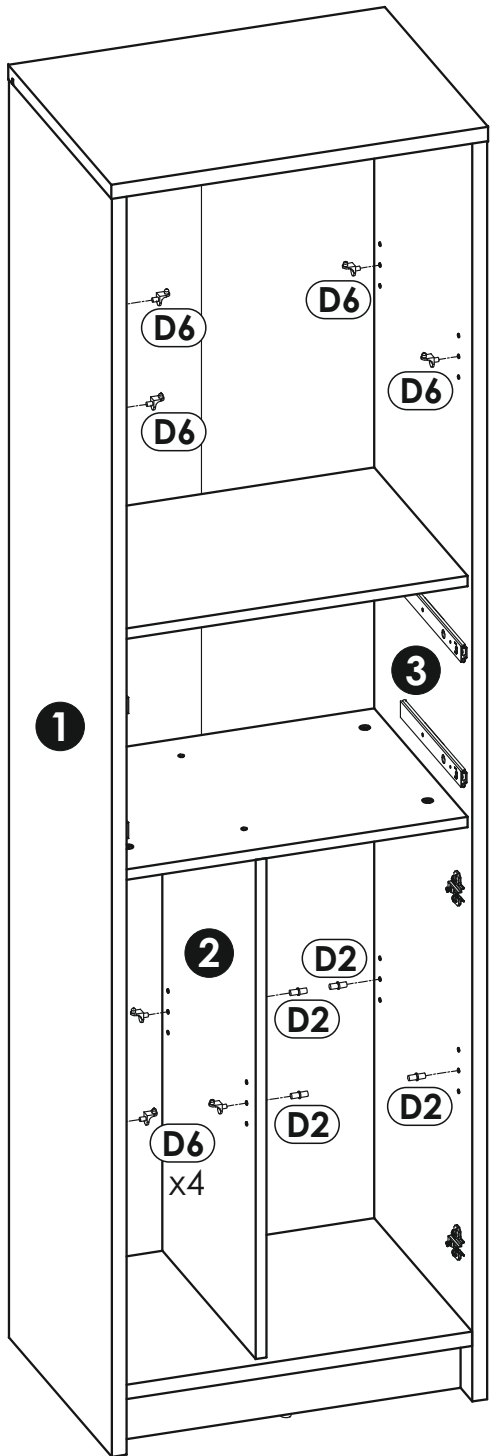
25 ▶



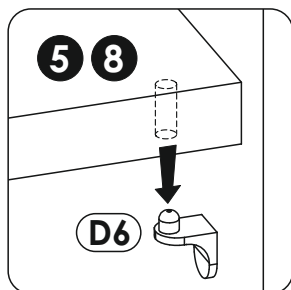
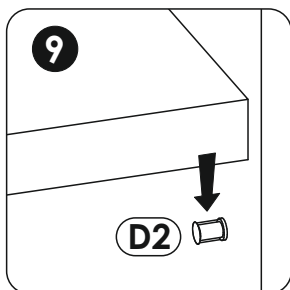
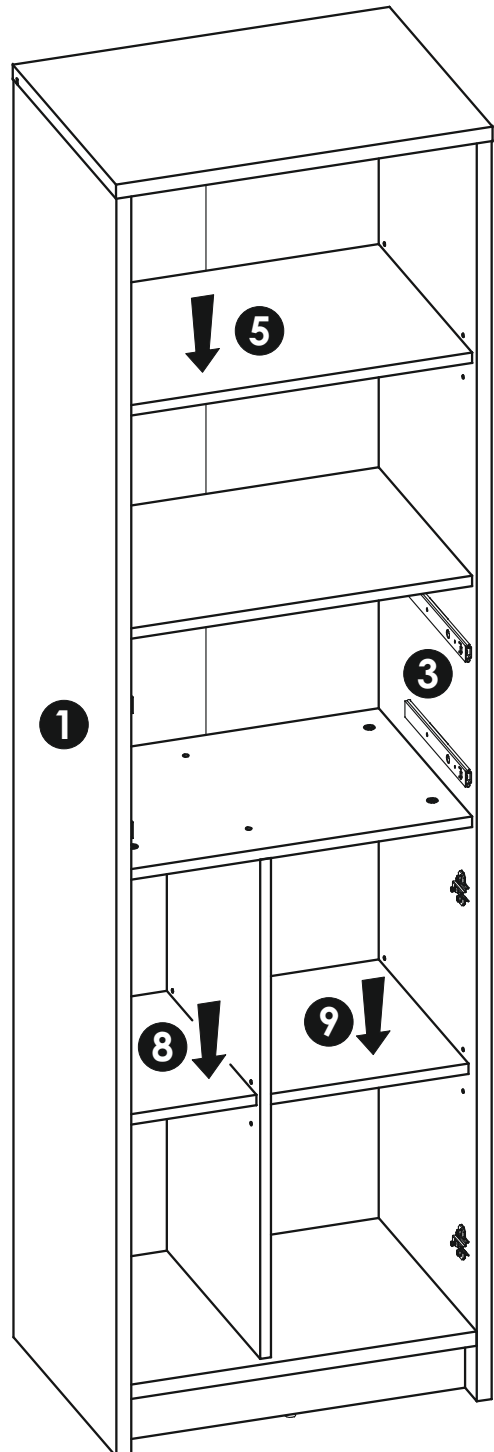
x2

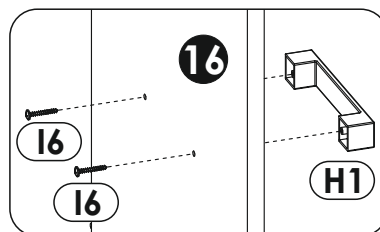
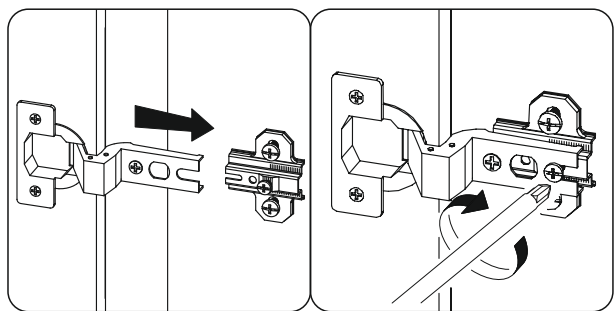
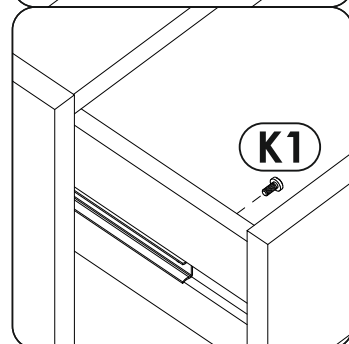
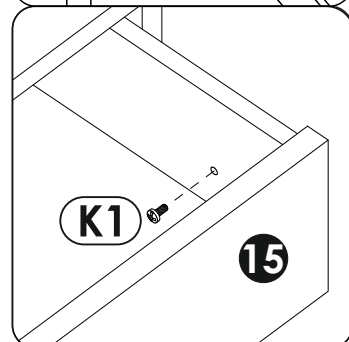
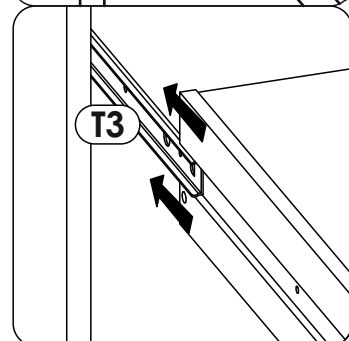
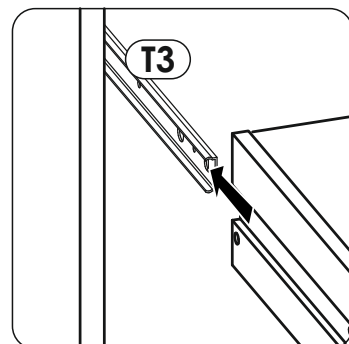
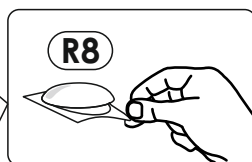
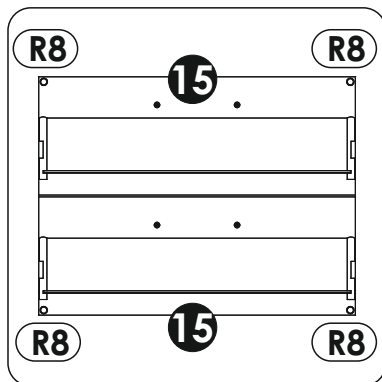
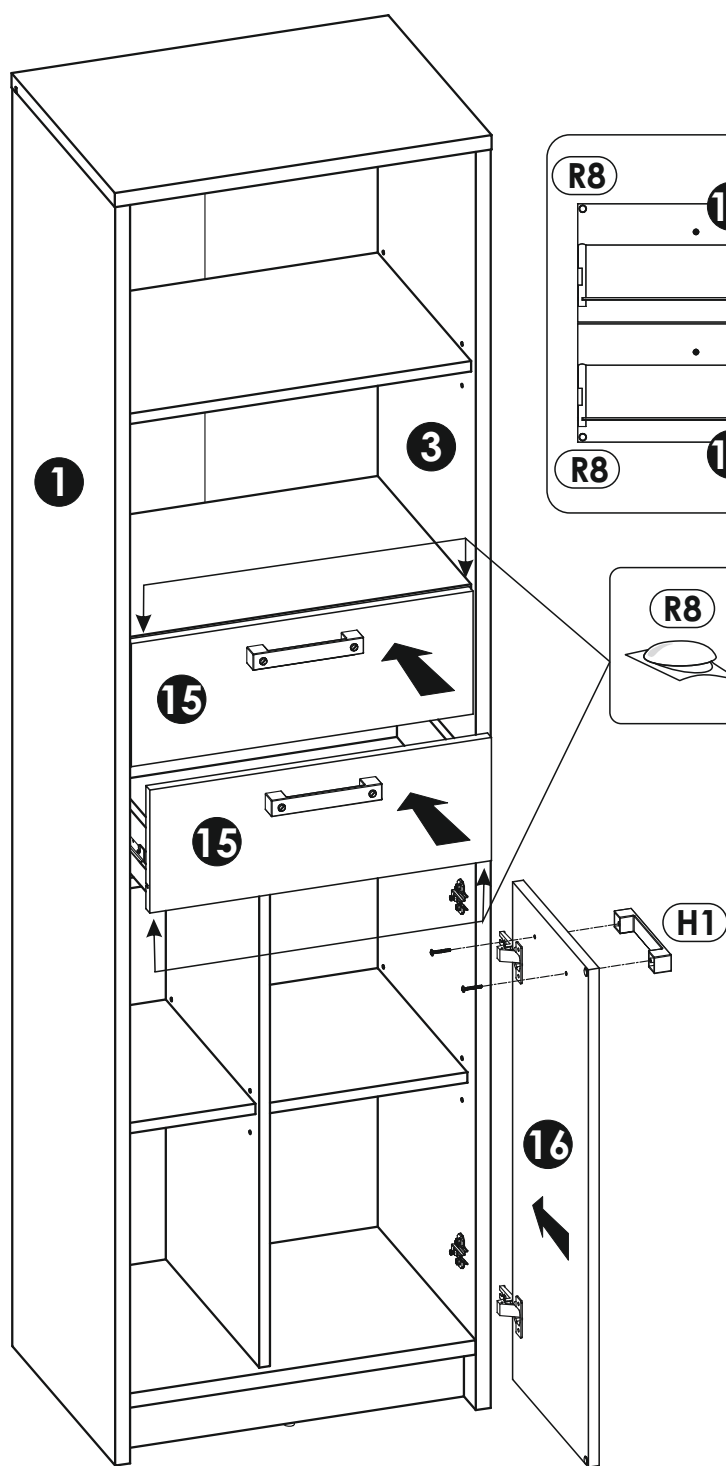


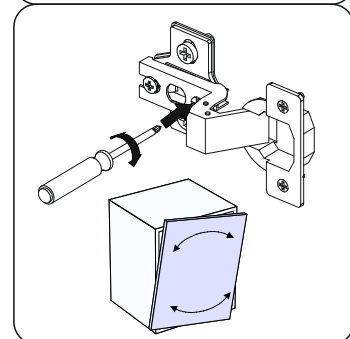
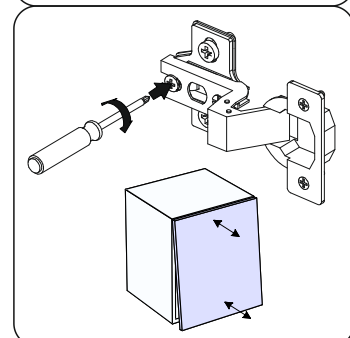
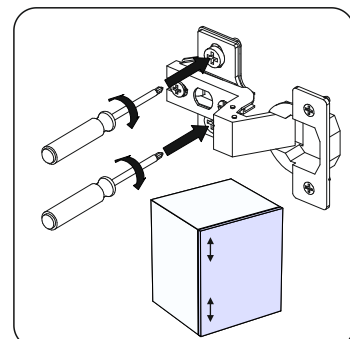
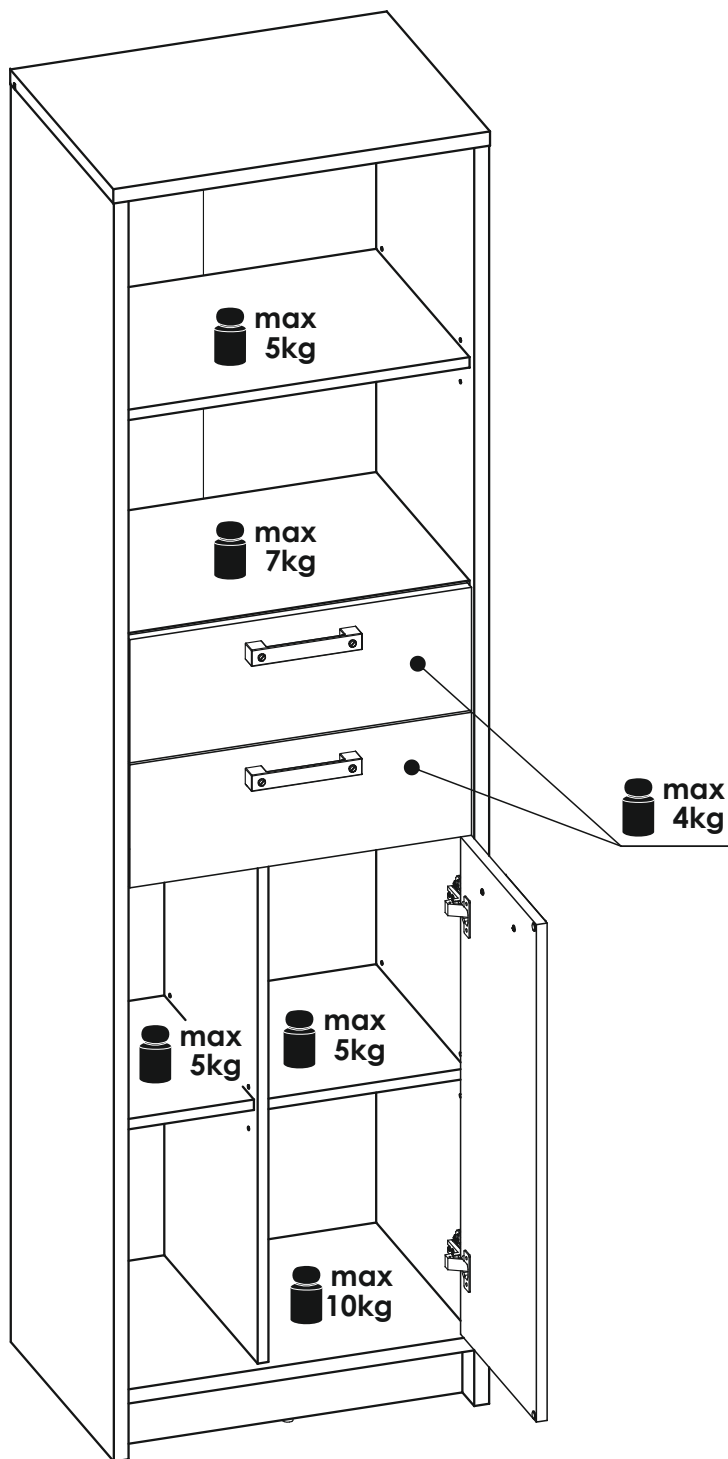
26 ▶

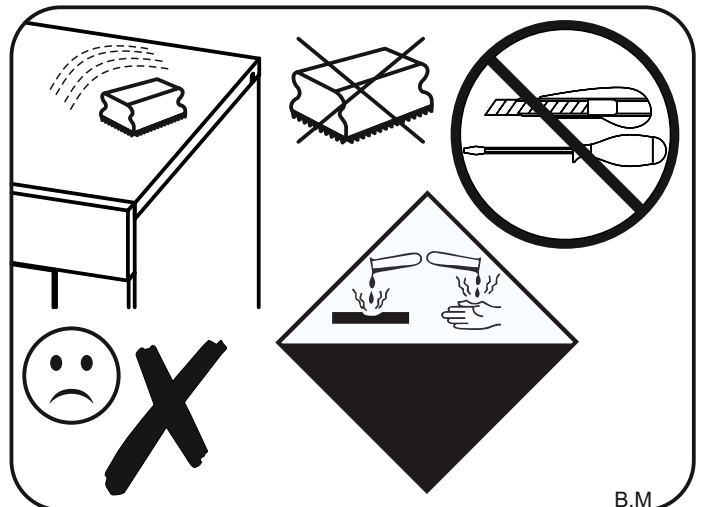
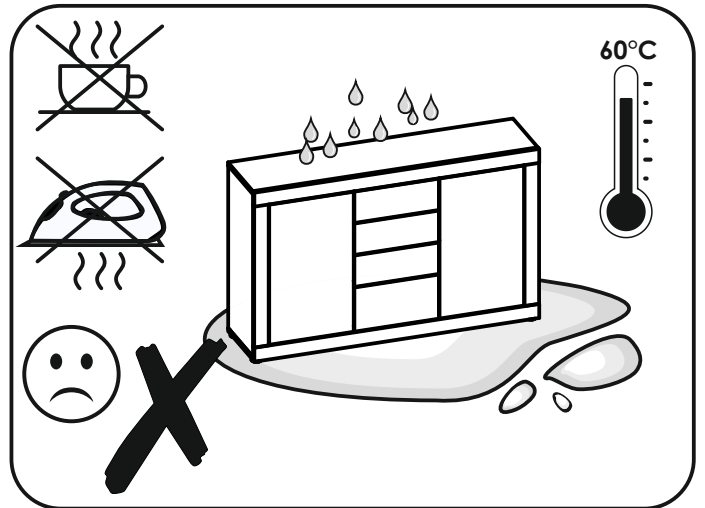
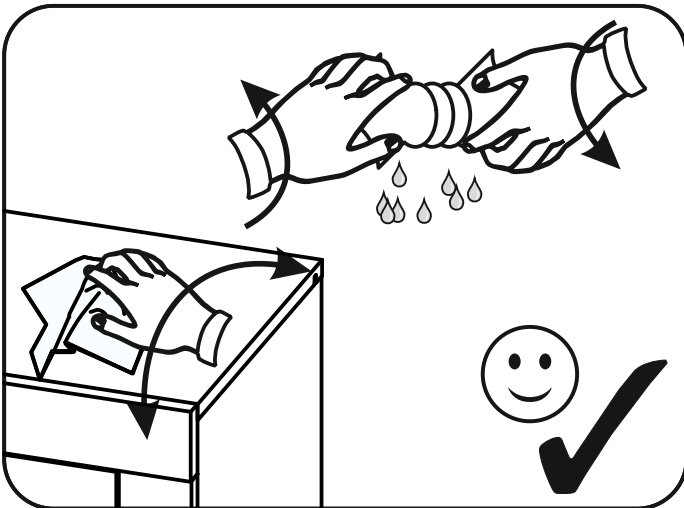
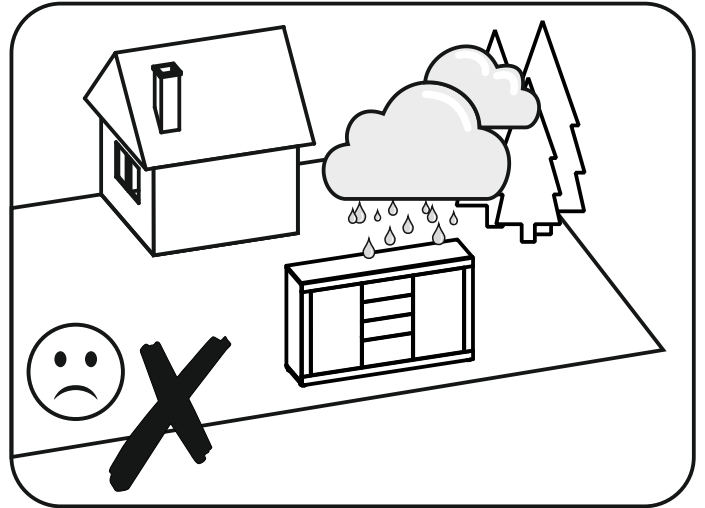
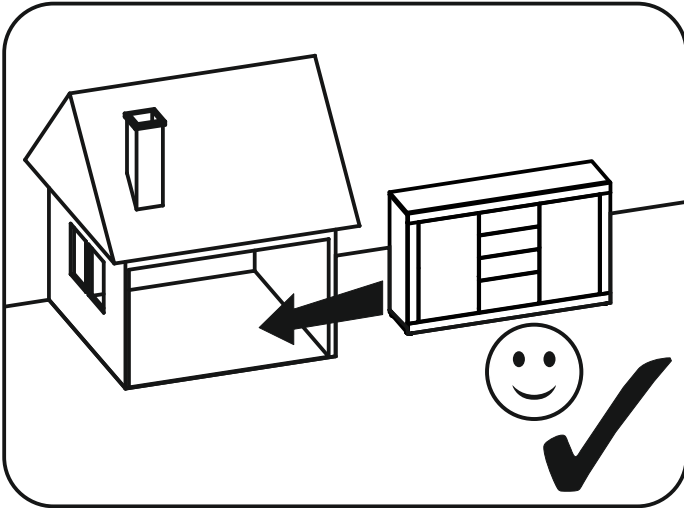
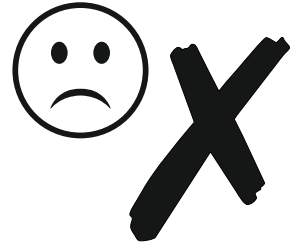


27 ▶









B.M