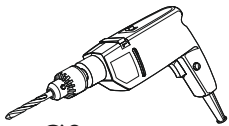
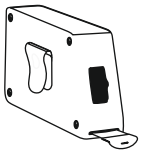
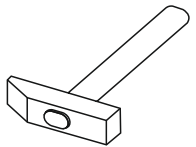
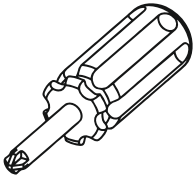
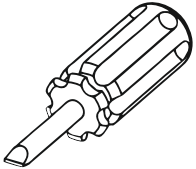
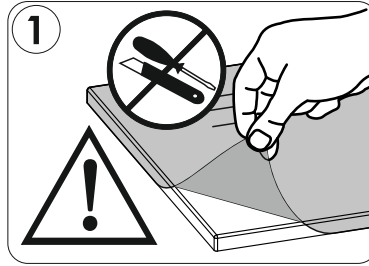
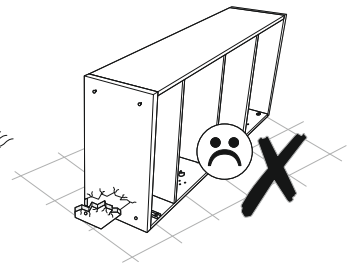
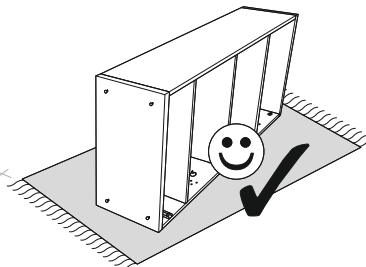
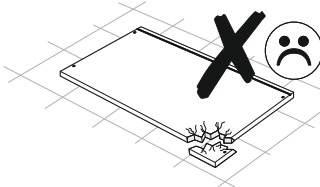
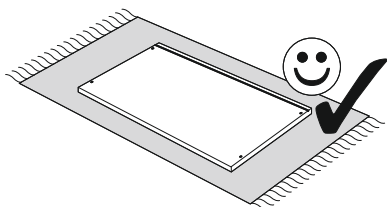
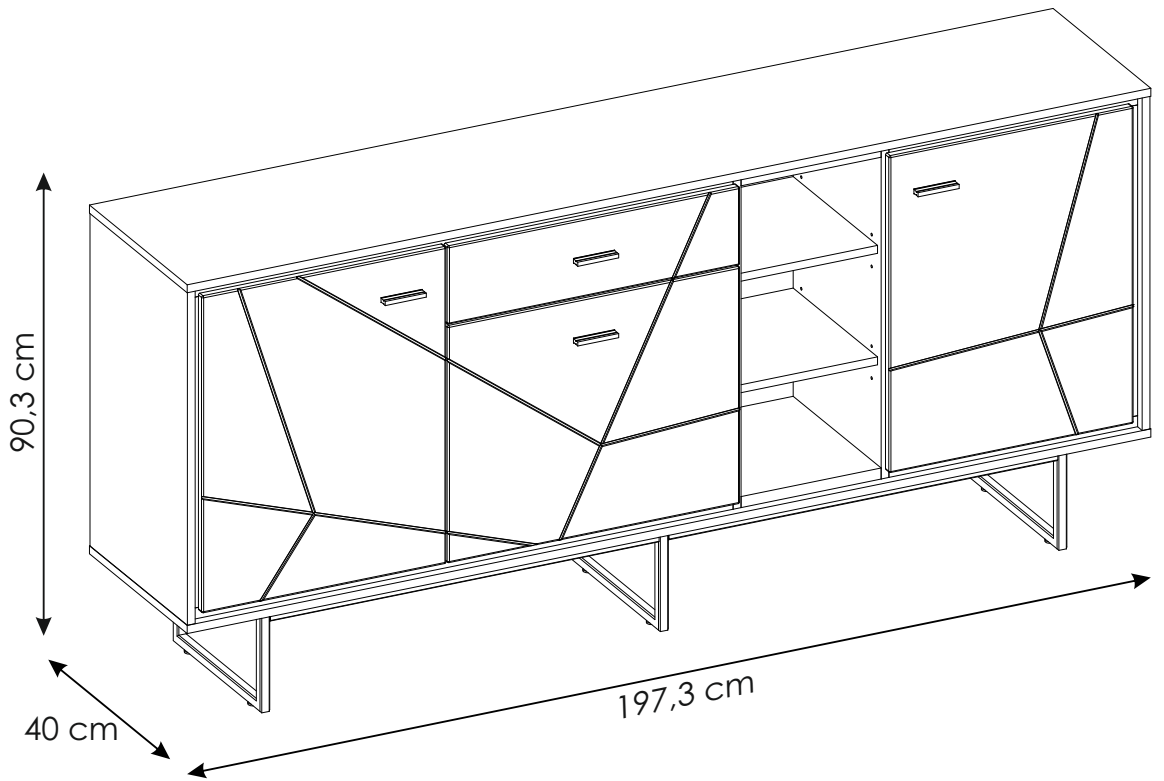
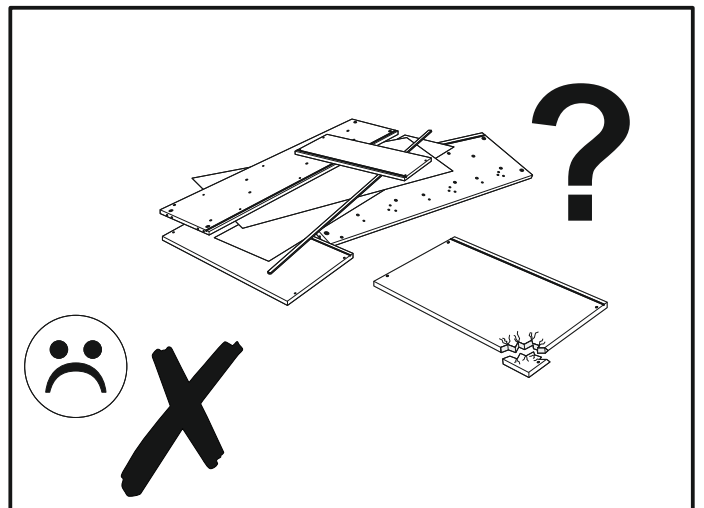
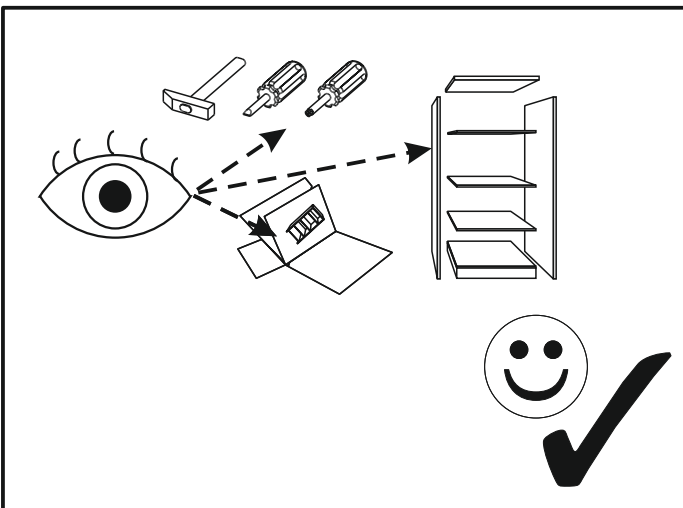
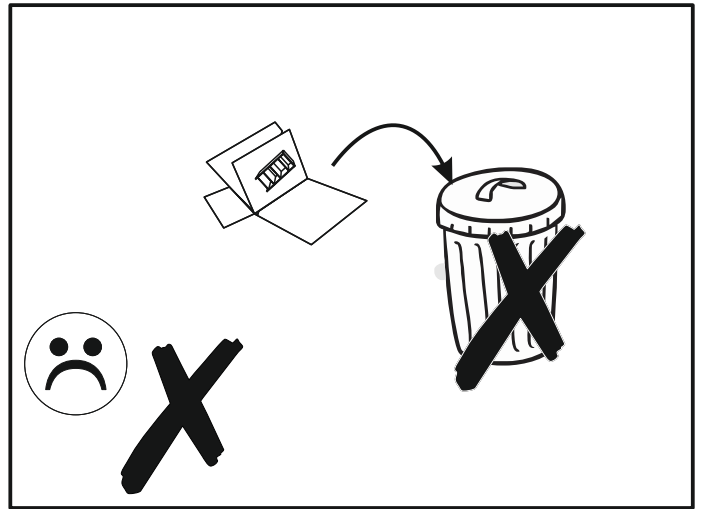
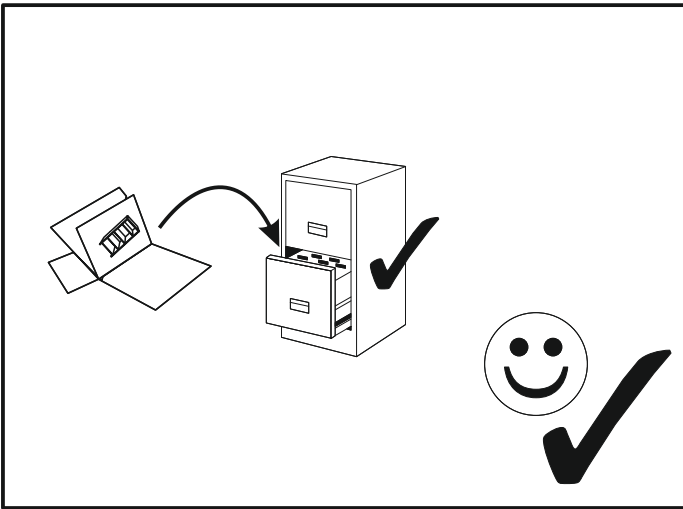
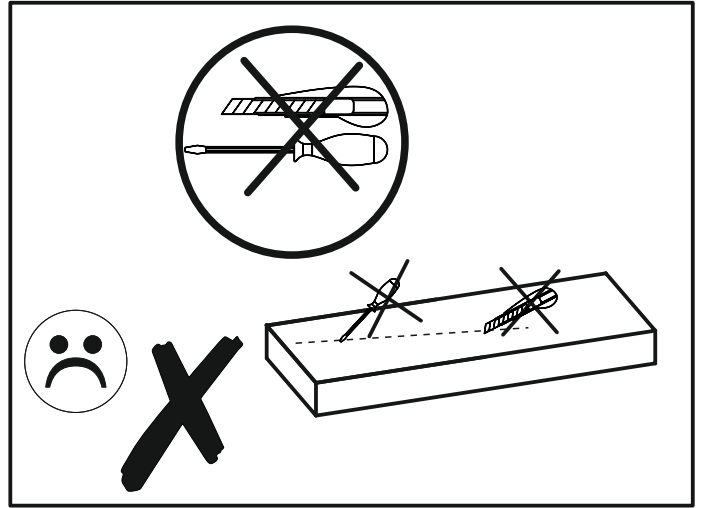
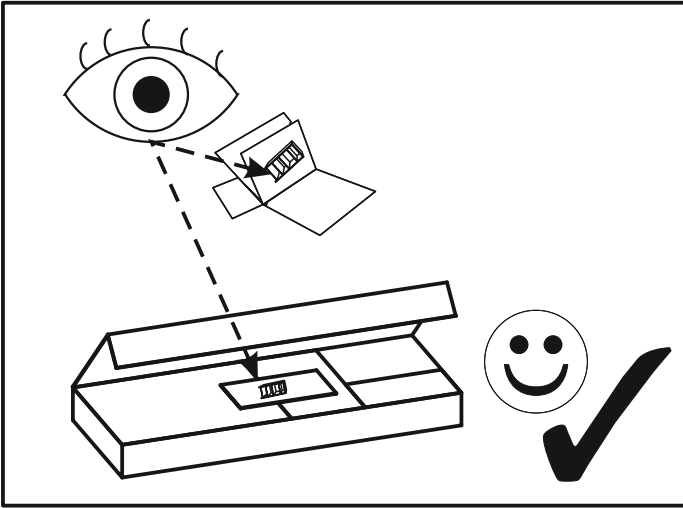


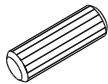




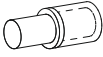
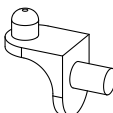




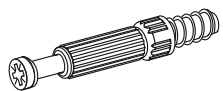




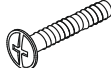

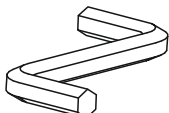
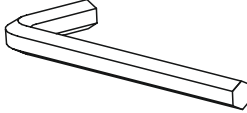
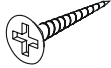
100 MIN

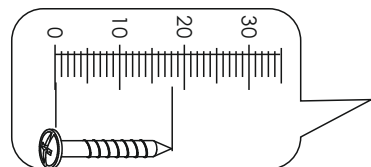
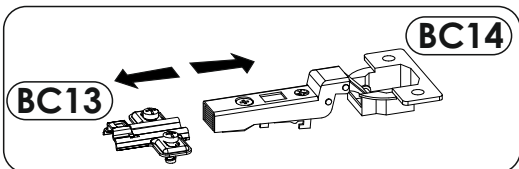
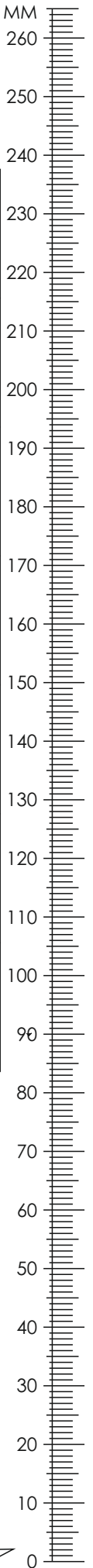


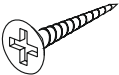
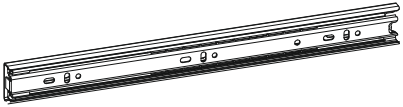
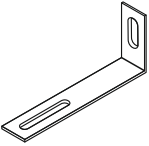
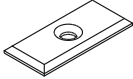
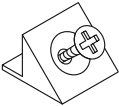

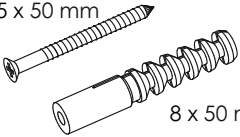
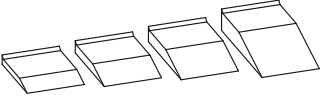
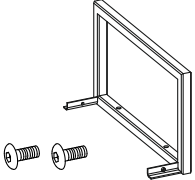
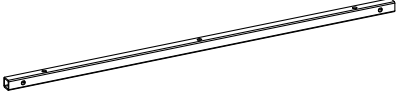
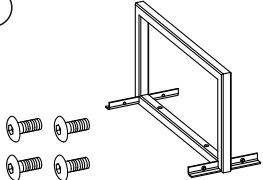
Ø8

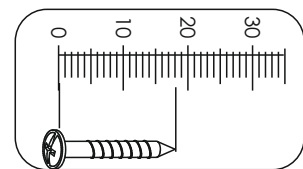
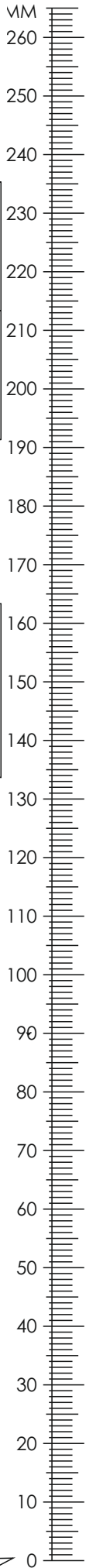


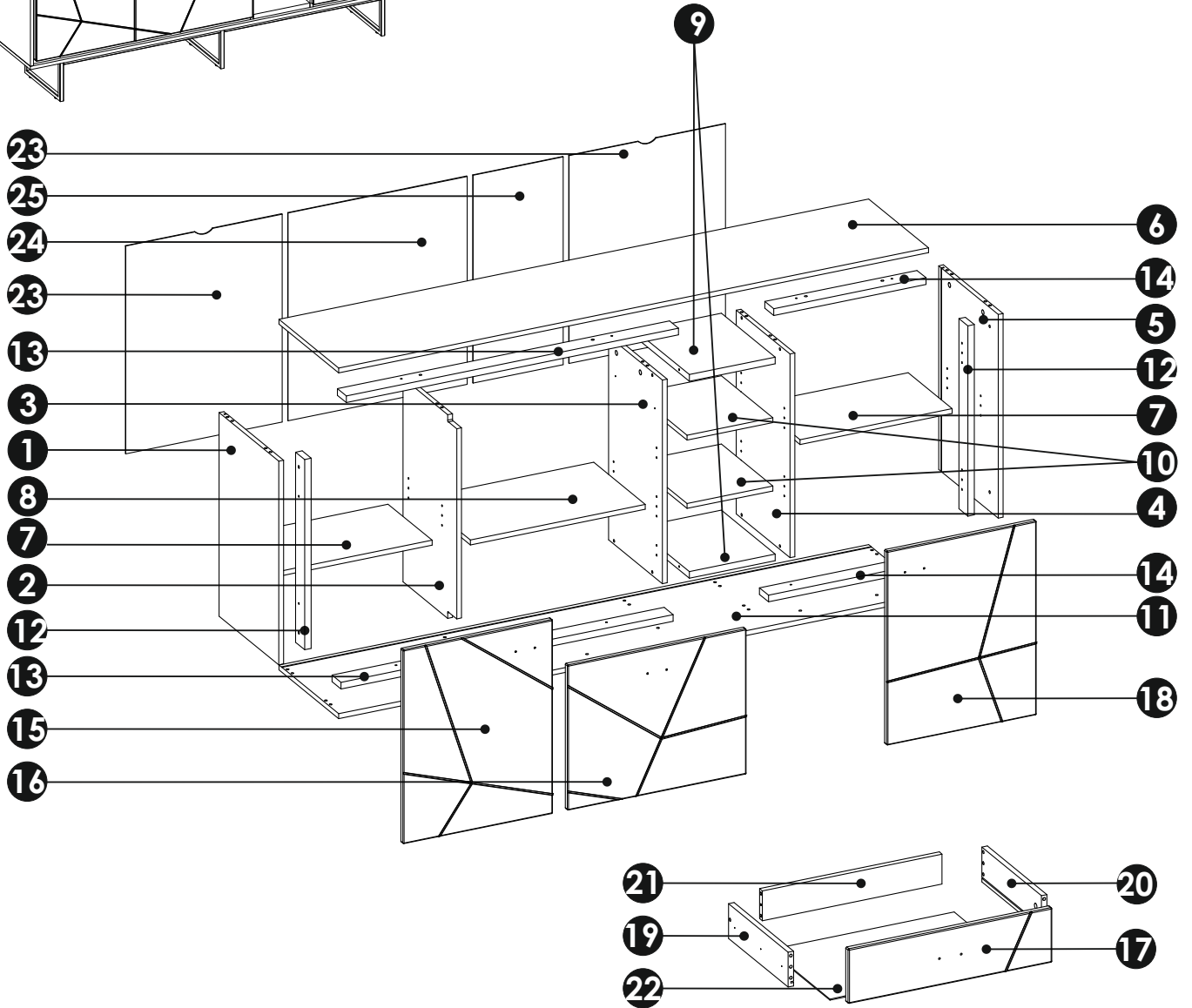
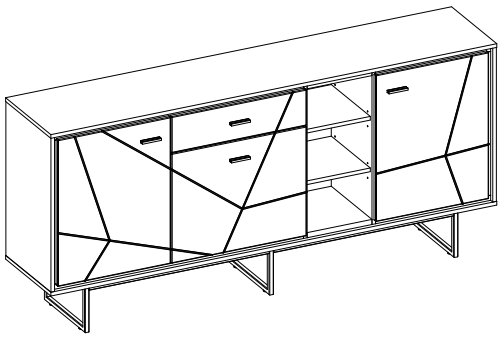


<b>A0</b> 8 x 24 mm x12 	<b>A1</b> 8 x 35 mm x28 	<b>BC13 + BC14</b> x6 
<b>C1</b> 4 x 13 mm x12 	<b>C2</b> 5 x 13 mm x4 	<b>D2</b> x12 
<b>D5</b> x8 	<b>E1</b> 15 x 12 mm x12 	<b>E5a</b> 20 mm x4 
<b>E5b</b> 20 mm x8 	<b>E6</b> 14 mm x22 	<b>F1</b> 6 x 34 mm x12 
<b>G0</b> x10 	<b>G1</b> 7 x 50 mm x20 	<b>H1</b> L - 84 x4 
<b>I2</b> 4 x 16 mm x2 	<b>I5</b> 3,5 x 27 mm x8 	<b>I7</b> 4 x 35mm x12 
<b>M</b> x1 	<b>M1</b> x1 	<b>N1</b> 3 X 16 mm x20 



<b>N2</b> 3.5 X 16 mm x24 	<b>PW</b> L - 350 x2 	<b>Q9</b> x2 
<b>R1</b> x12 	<b>R4</b> x15 	<b>R11</b> 20 mm x6 
<b>S13</b> 5 x 50 mm x2  8 x 50 mm	<b>Z</b> x1 	
<b>V1</b> x2 	<b>V2</b> x4 	<b>V3</b> x1 

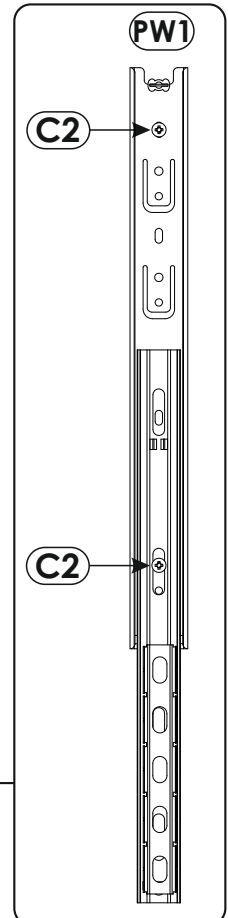
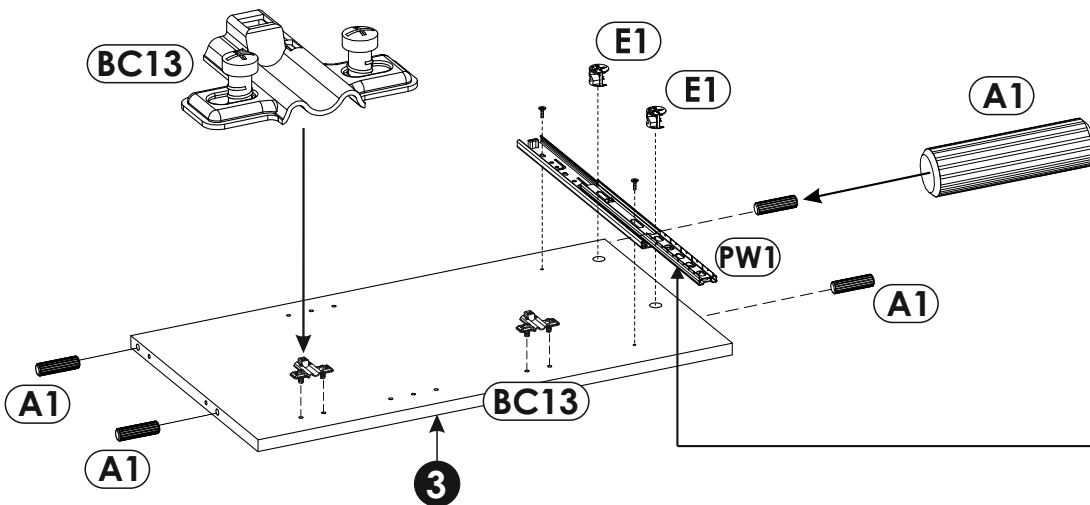
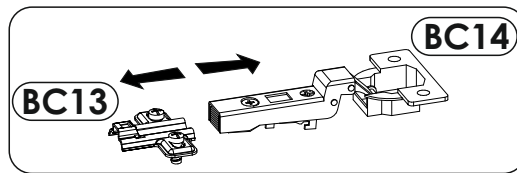
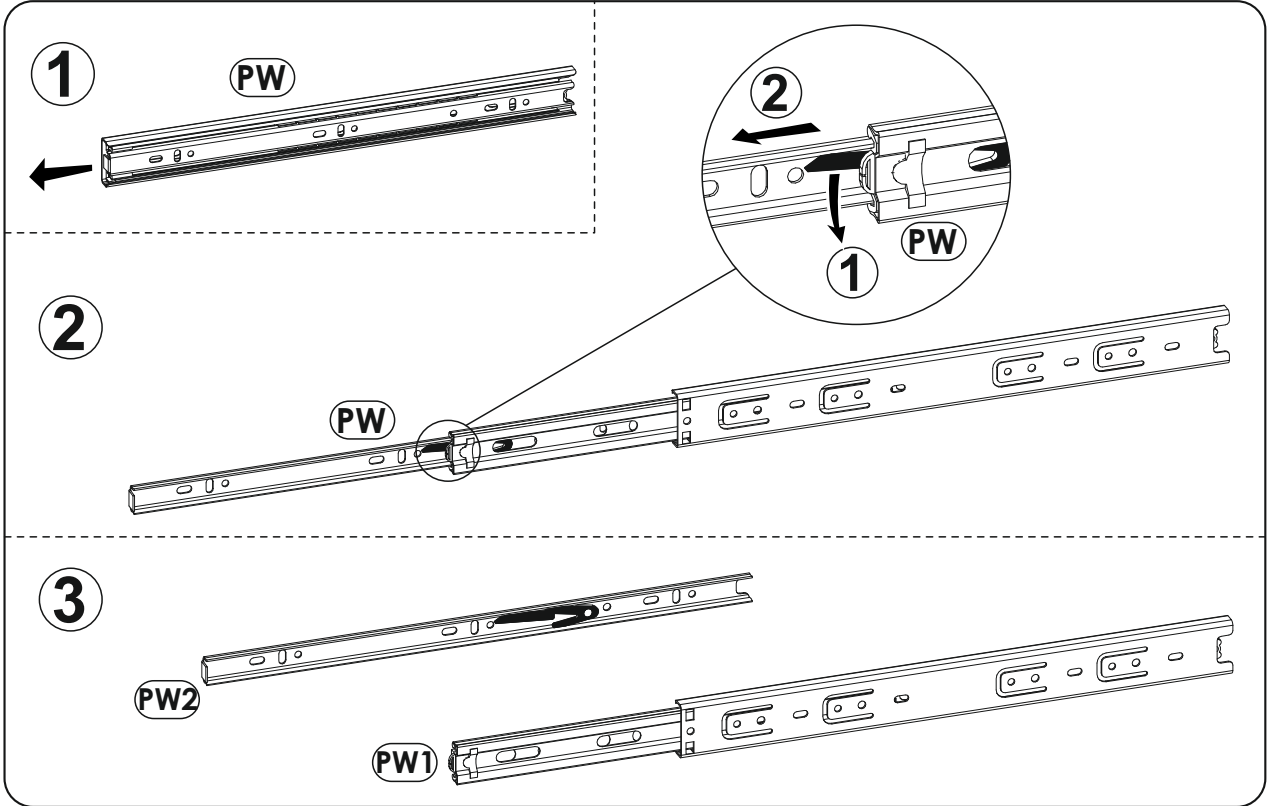
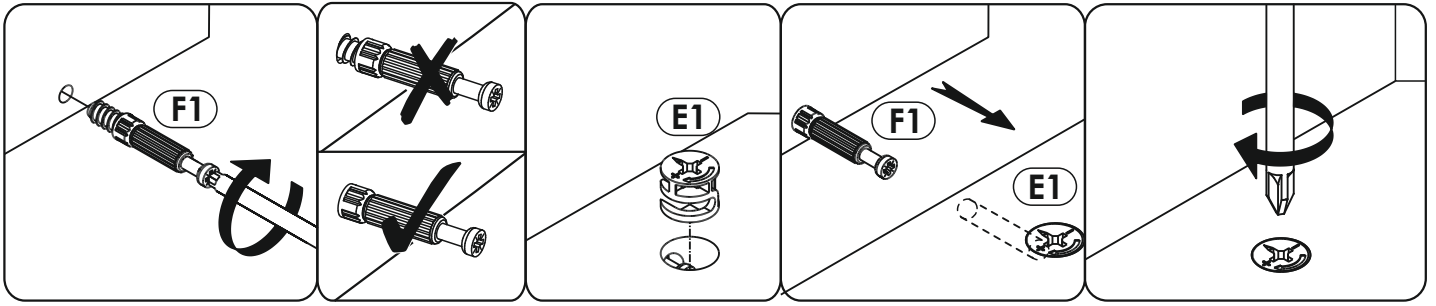




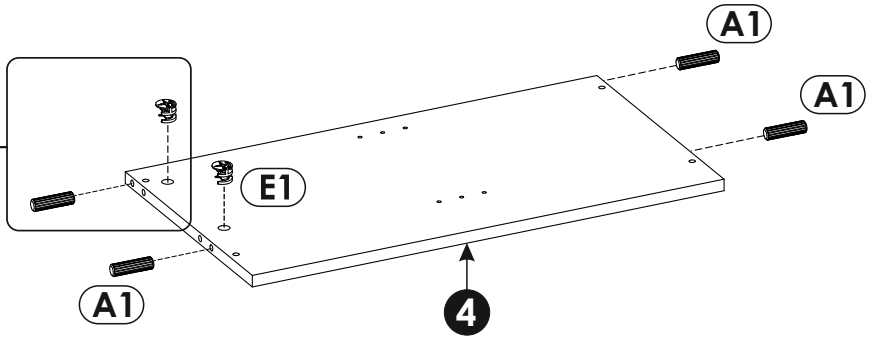
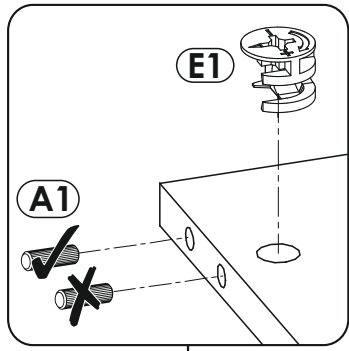
<b>1</b>	668	399	16	x1	1/3
<b>2</b>	668	360	16	x1	1/3
<b>3</b>	668	360	16	x1	1/3
<b>4</b>	668	360	16	x1	1/3
<b>5</b>	668	399	16	x1	1/3
<b>6</b>	1973	400	16	x1	3/3
<b>7</b>	509	295	16	x2	3/3
<b>8</b>	585	345	16	x1	1/3
<b>9</b>	287	360	22	x2	3/3

<b>10</b>	287	345	16	x2	1/3
<b>11</b>	1973	400	16	x1	3/3
<b>12</b>	624	60	22	x2	3/3
<b>13</b>	1111	60	22	x2	3/3
<b>14</b>	509	60	22	x2	3/3
<b>15</b>	636	500	16	x1	2/3
<b>16</b>	598	476	16	x1	2/3
<b>17</b>	598	157	16	x1	3/3
<b>18</b>	636	500	16	x1	2/3

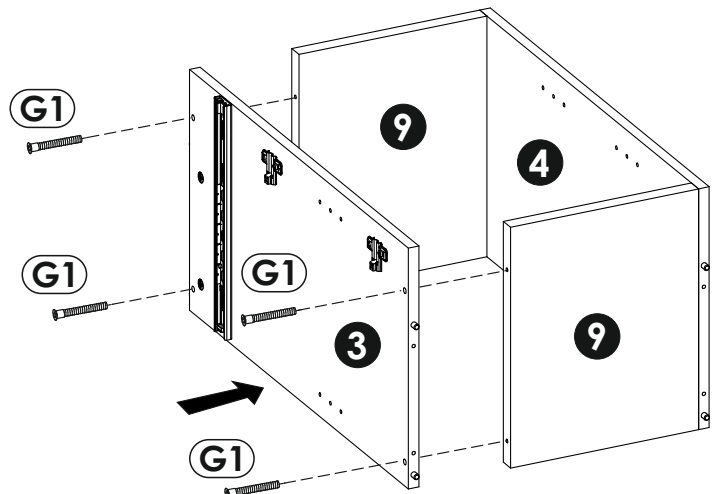
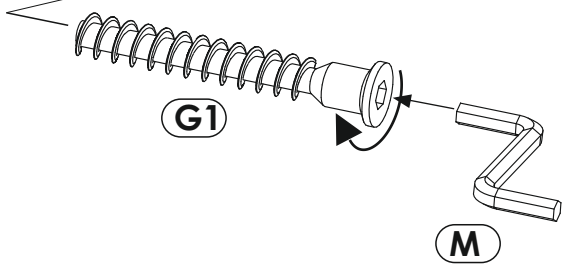
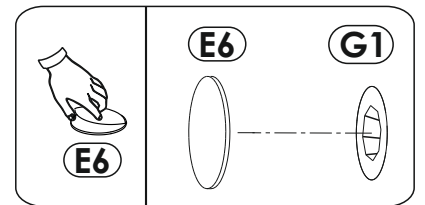
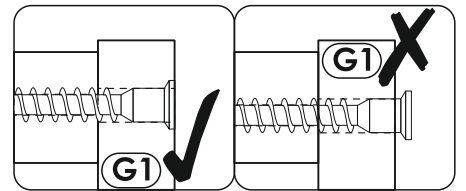
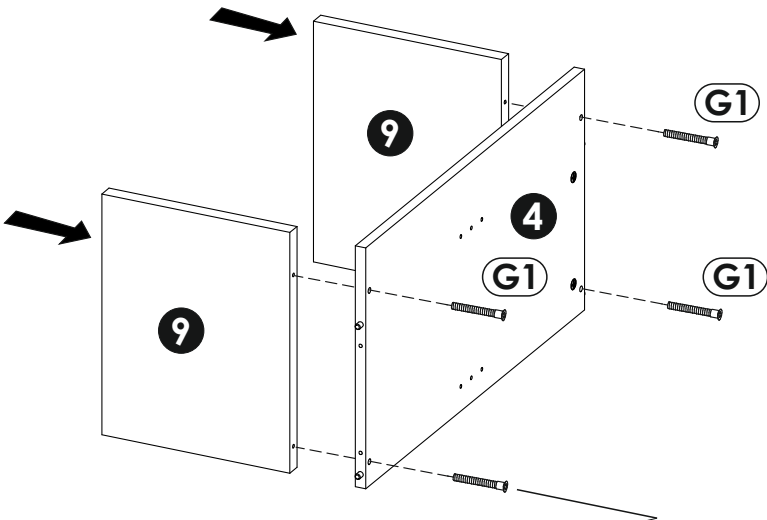
<b>19</b>	350	100	16	x1	3/3
<b>20</b>	350	100	16	x1	3/3
<b>21</b>	528	86	16	x1	3/3
<b>22</b>	542	355	3	x1	2/3
<b>23</b>	682	525	3	x2	2/3
<b>24</b>	682	600	3	x1	2/3
<b>25</b>	682	301	3	x1	2/3



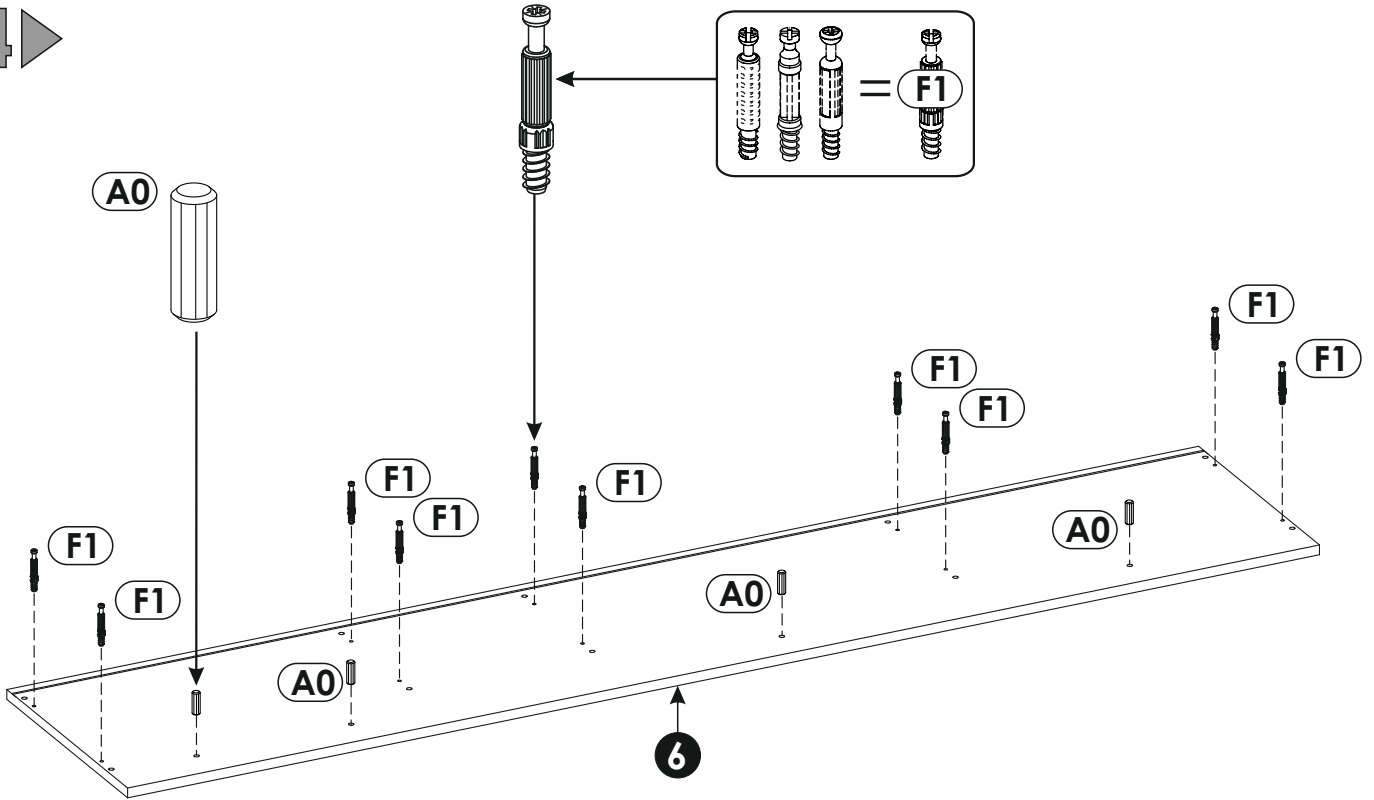
2 ▶



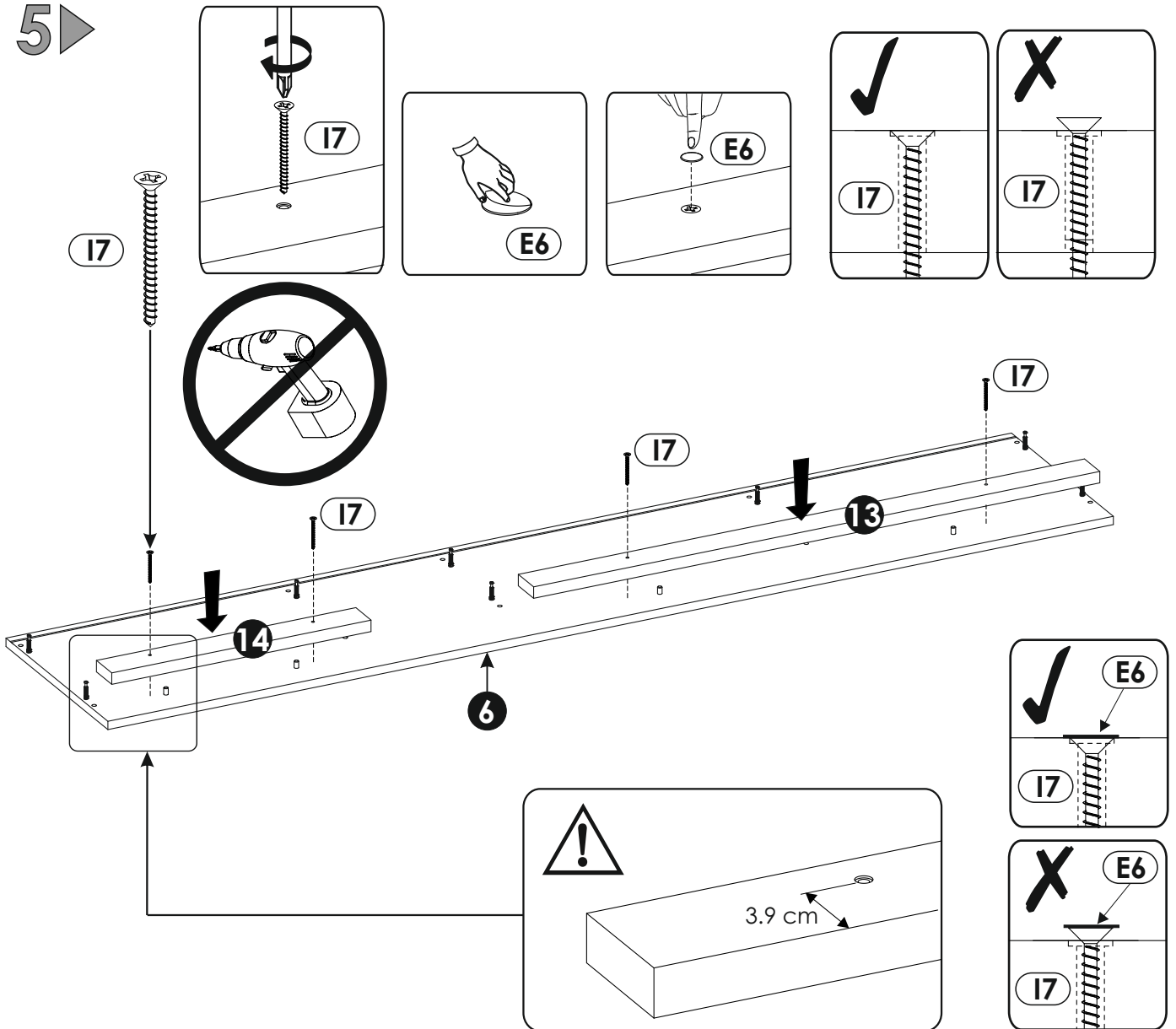
3 ▶



4 ▶

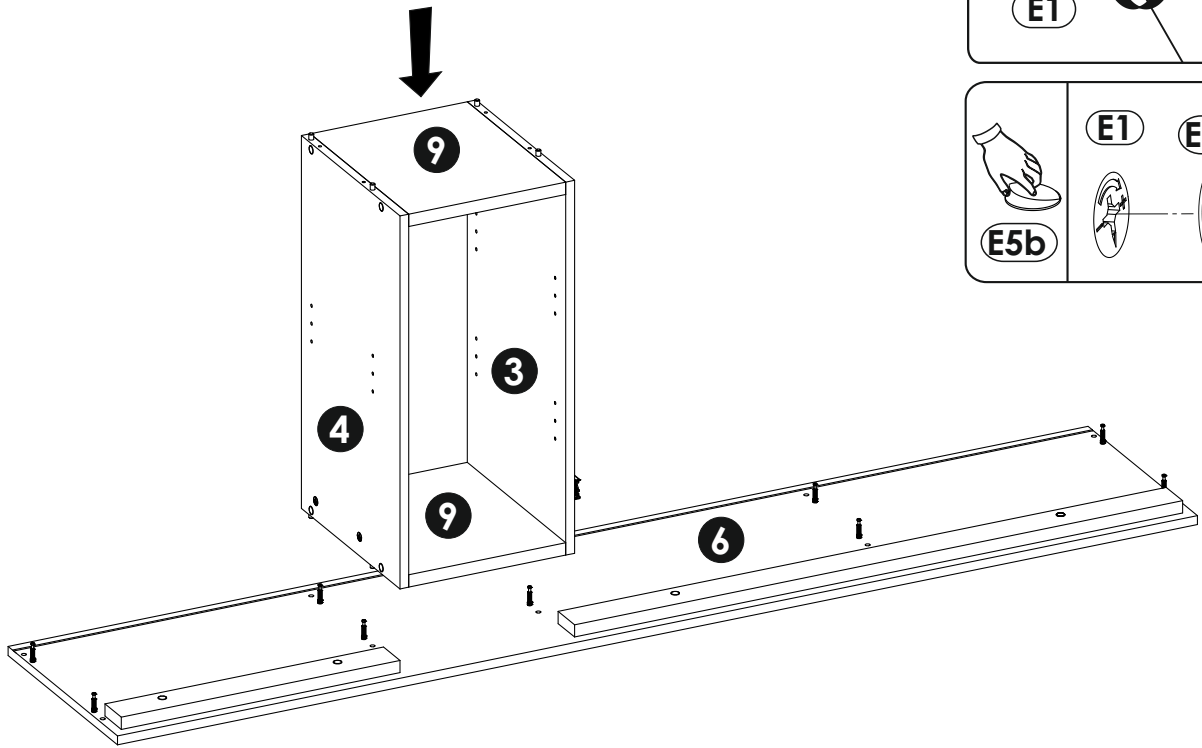


5 ▶

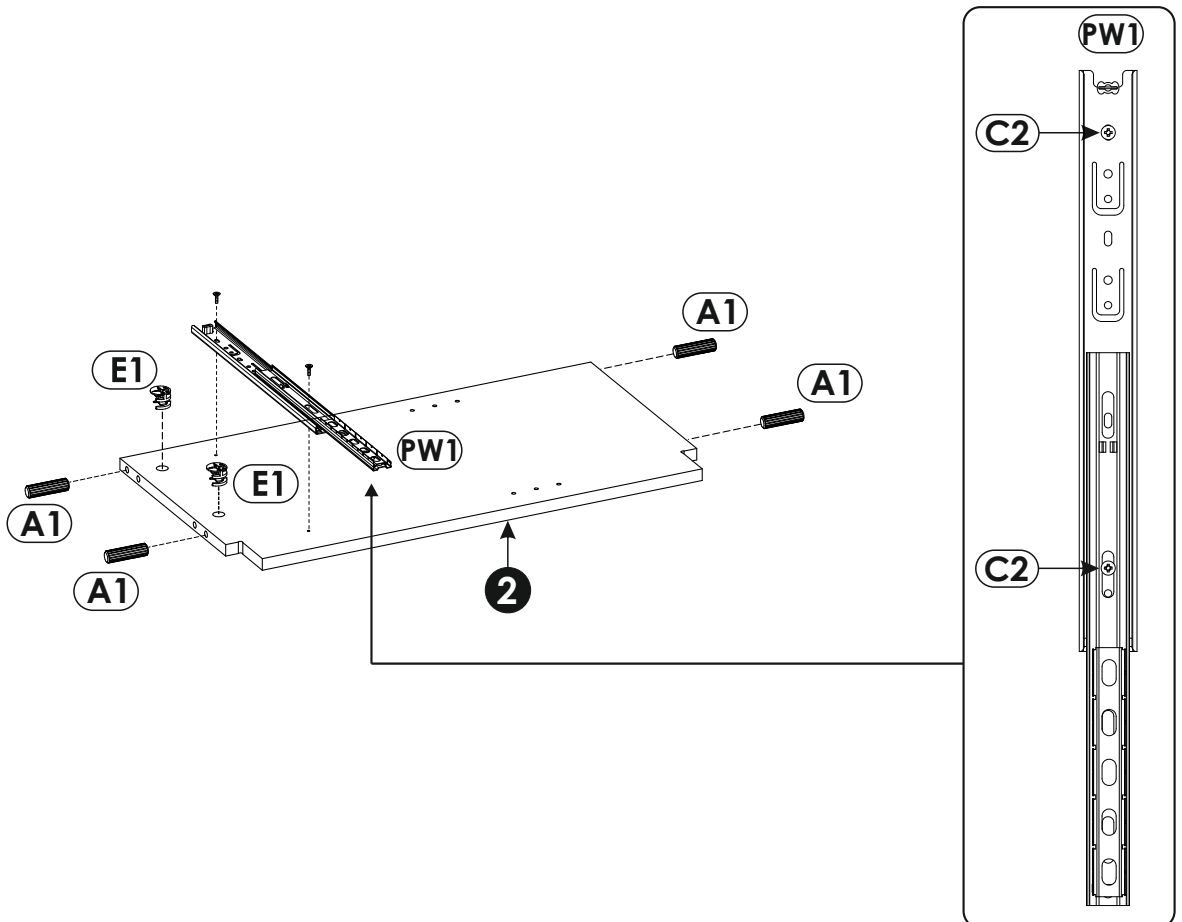




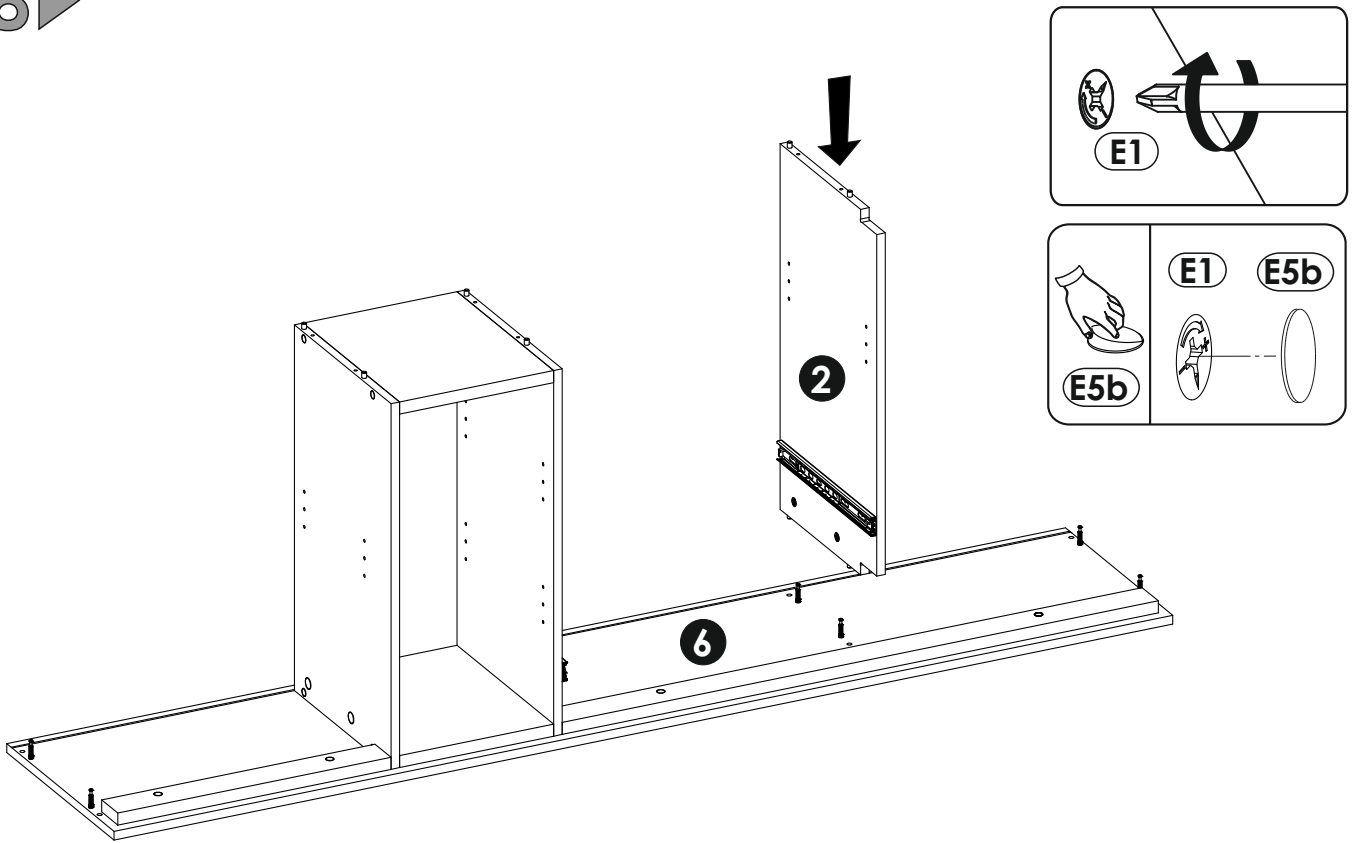
6 ▶



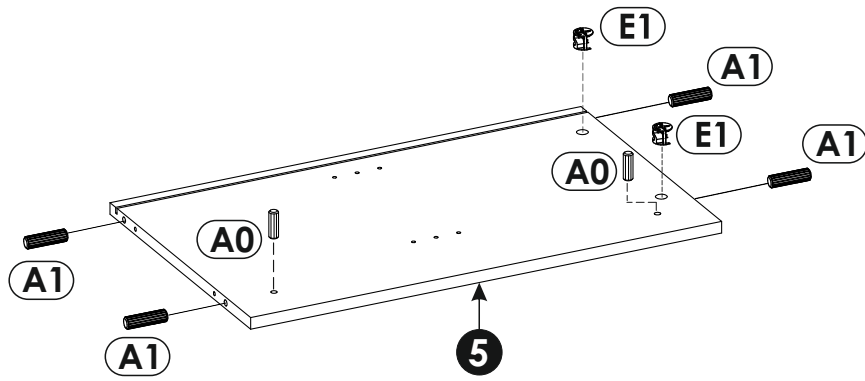
7 ▶



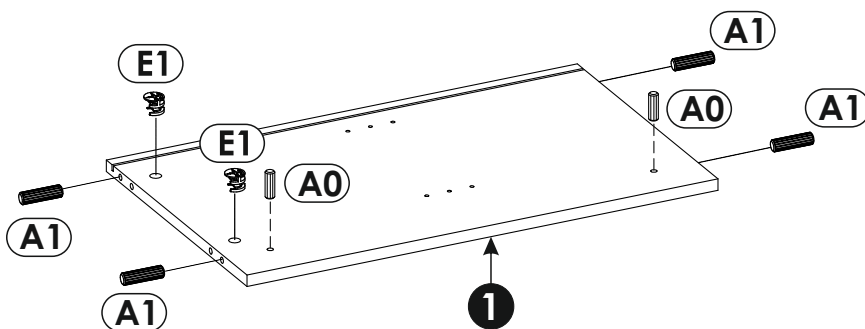
8 ▶



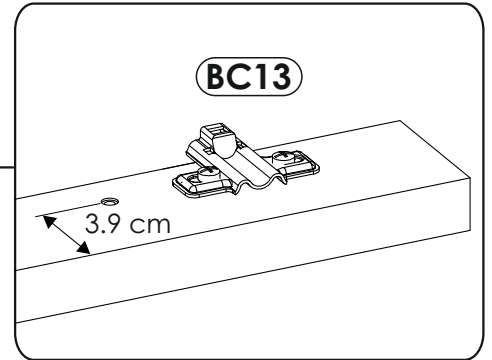
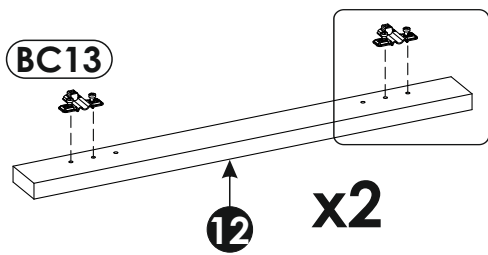
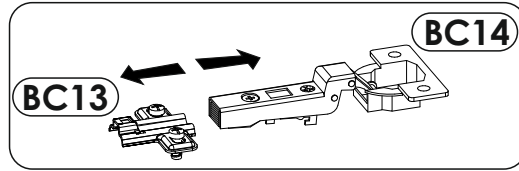
9 ▶



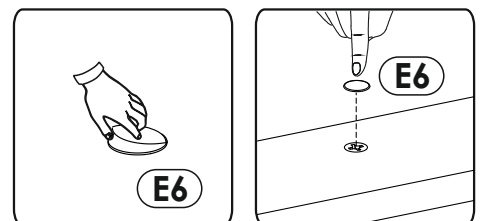
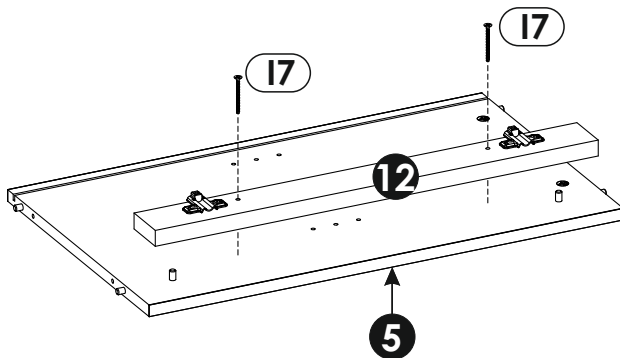
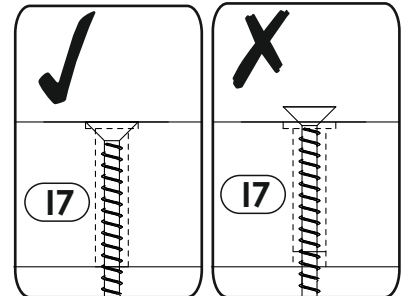
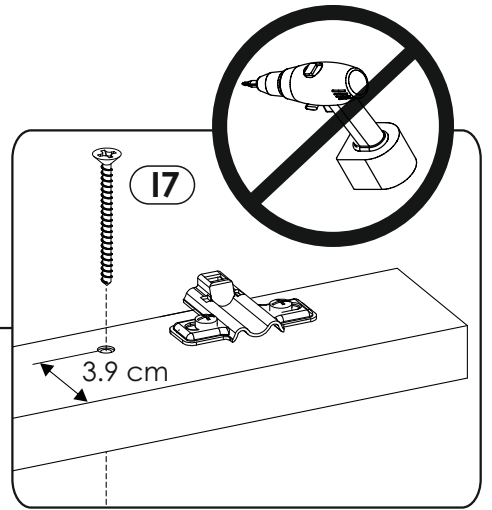
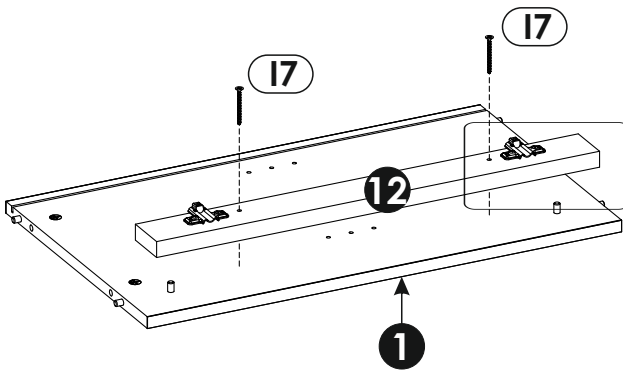
10 ▶



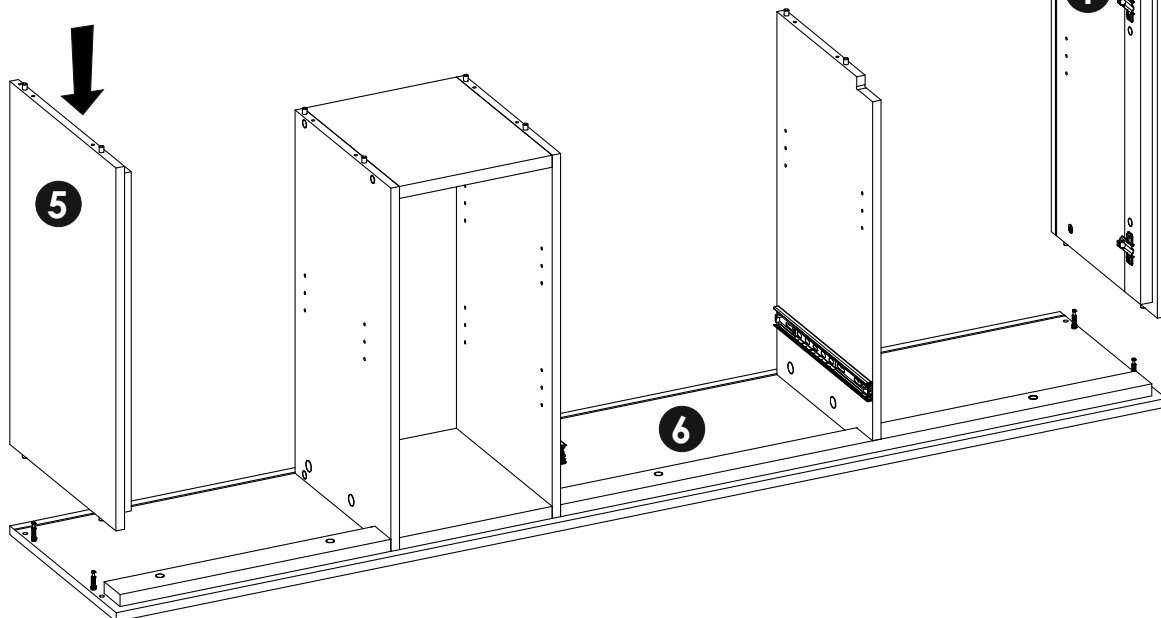
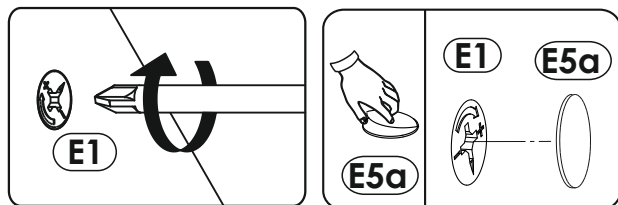
11▶



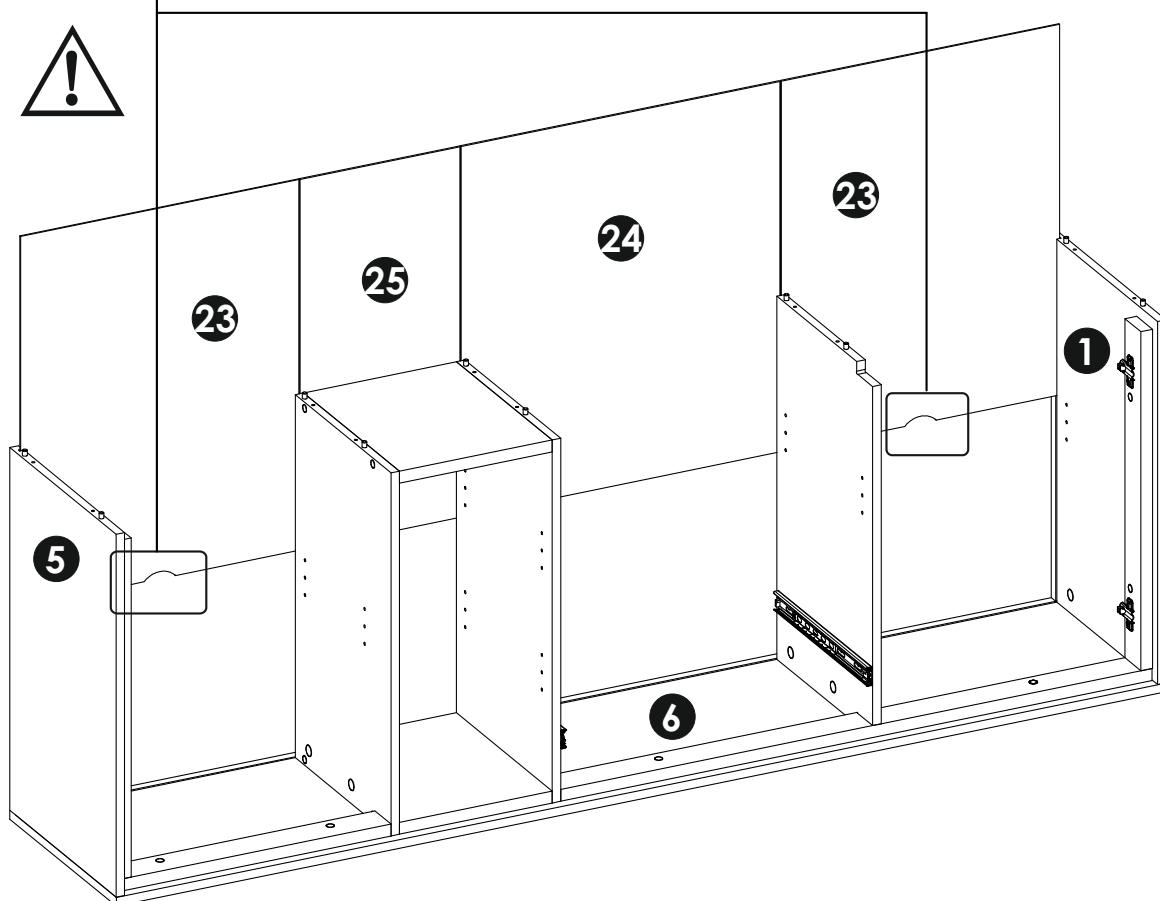
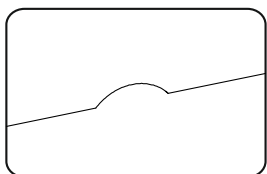
12▶



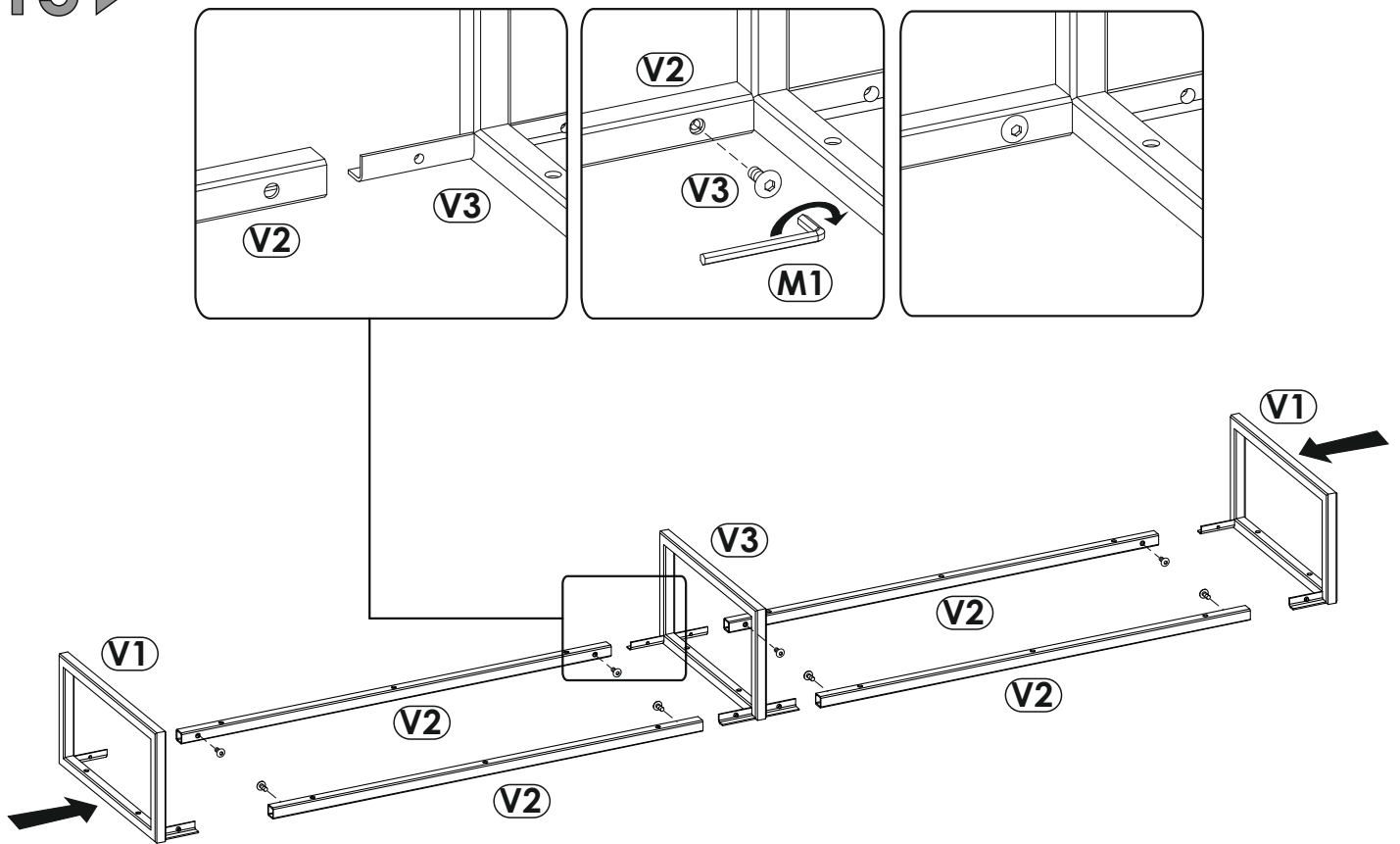
13 ▶



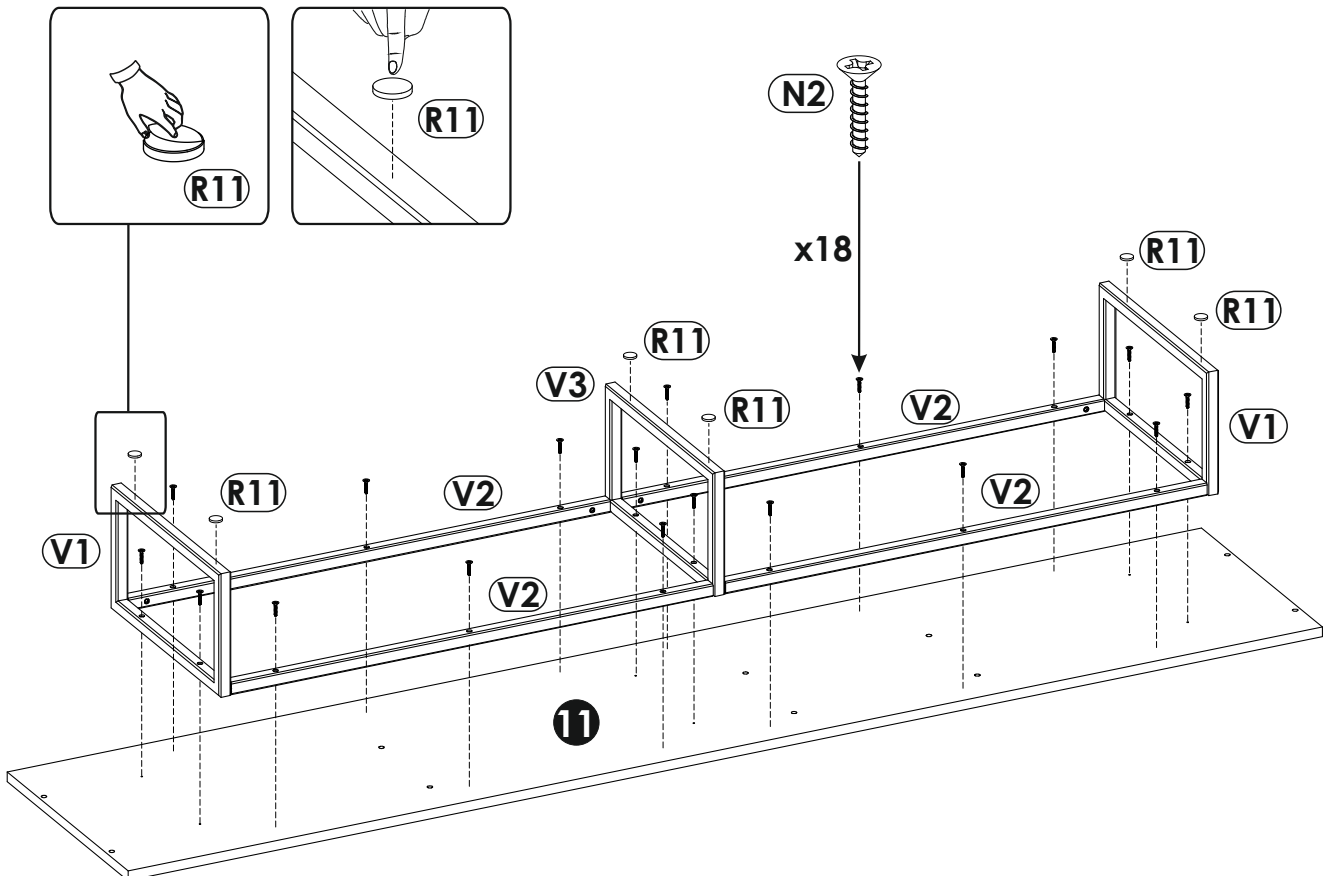
14 ▶



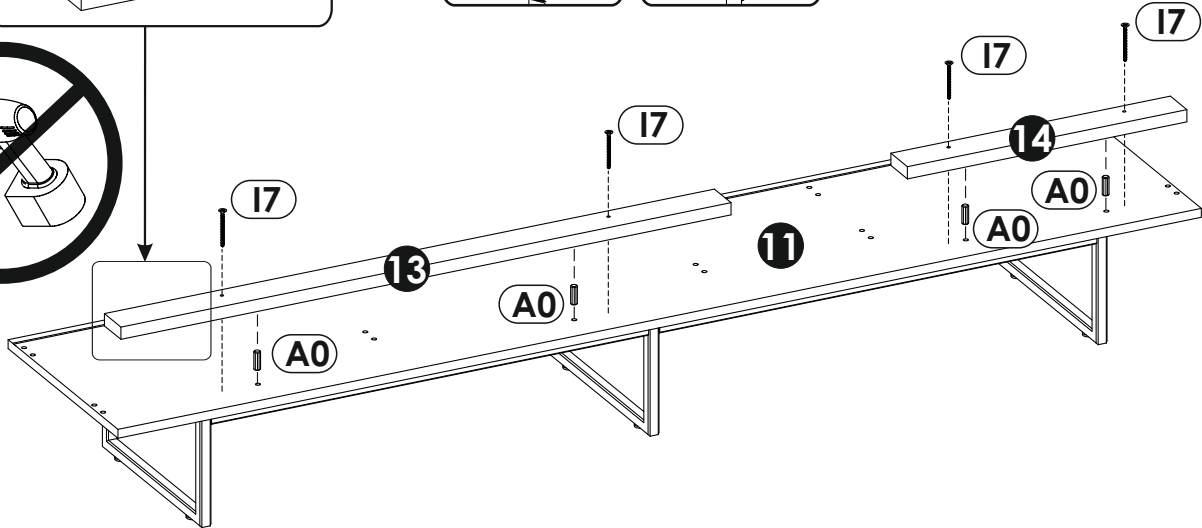
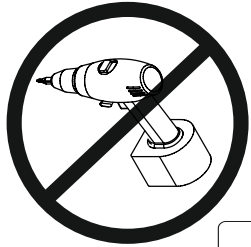
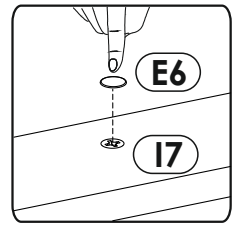
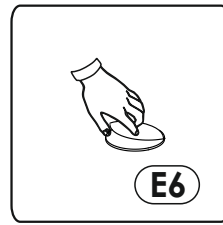
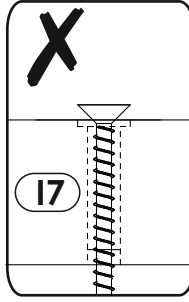
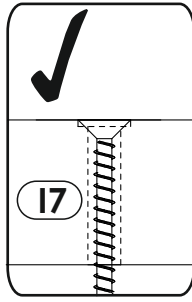
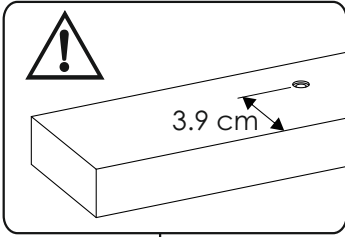
15 ▶



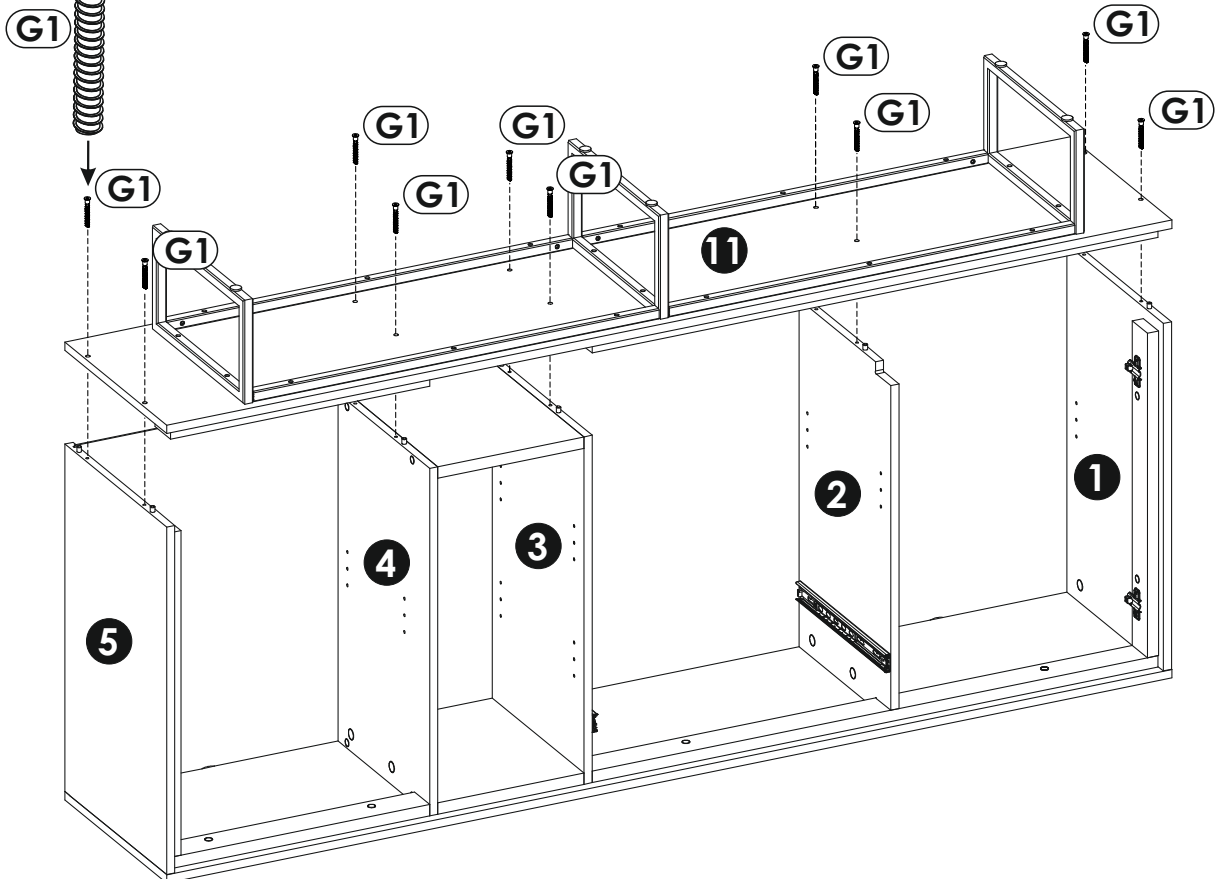
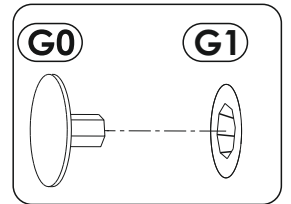
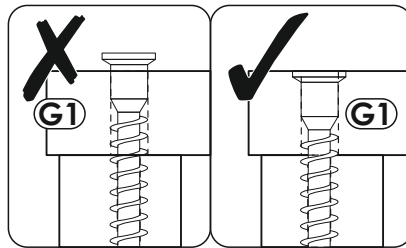
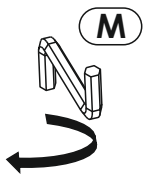
16 ▶



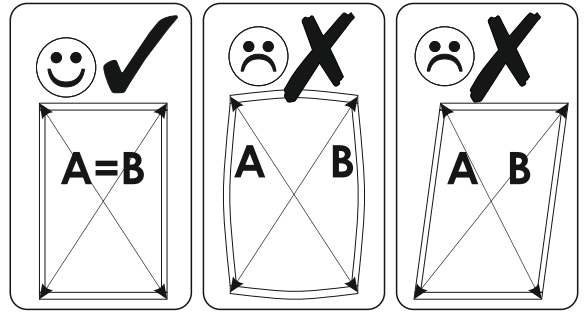
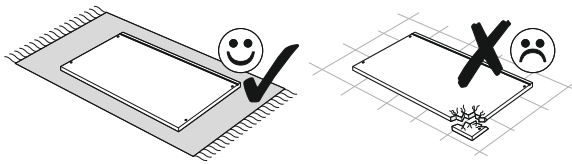
17 ▶



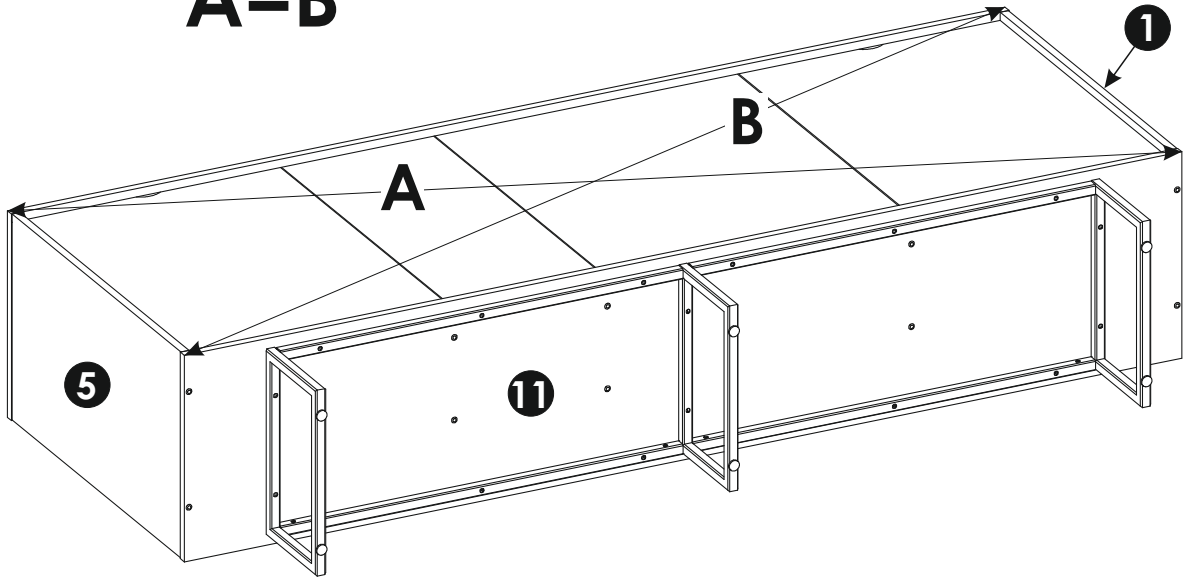
18 ▶



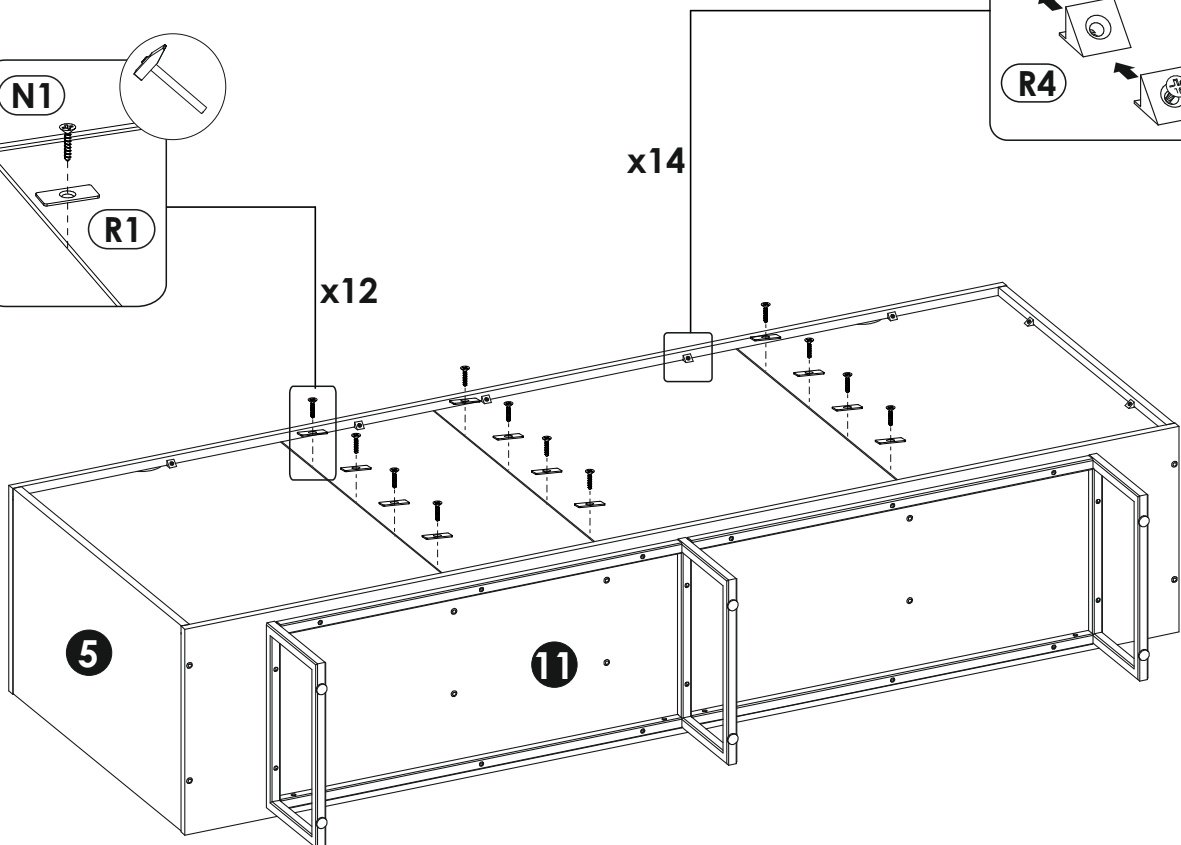
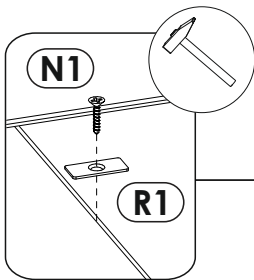
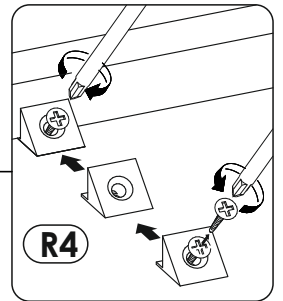
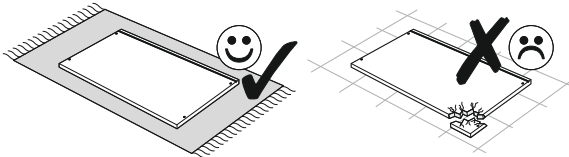
19 ▶



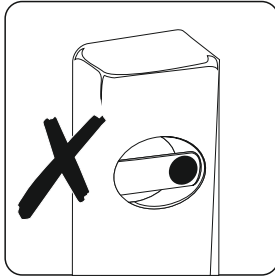
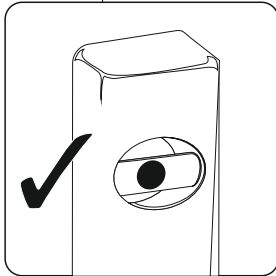
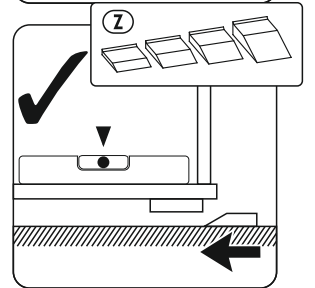
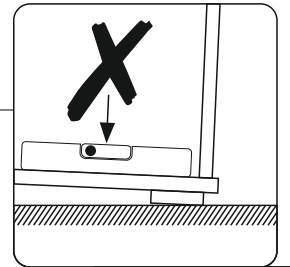
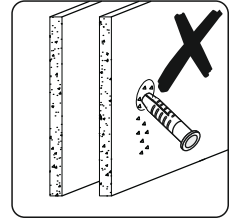
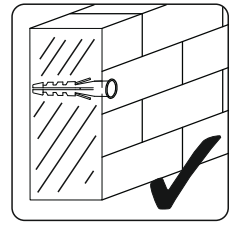
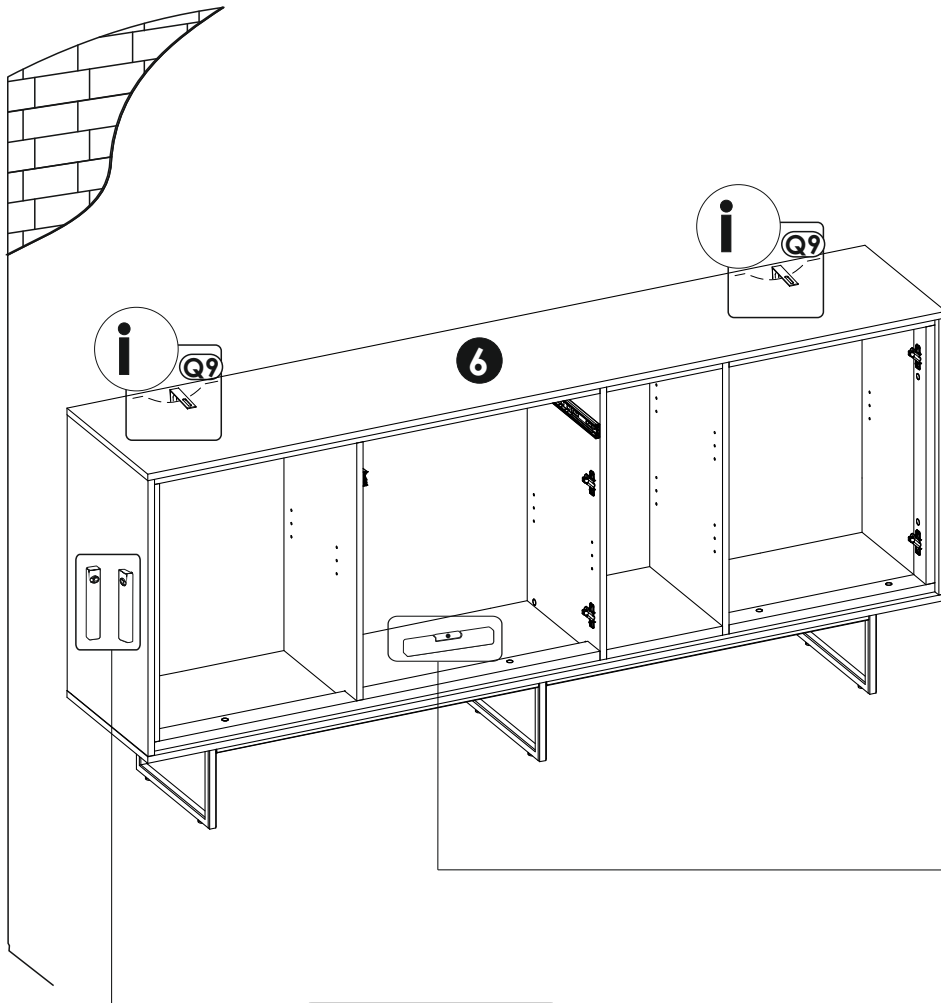
**A=B**



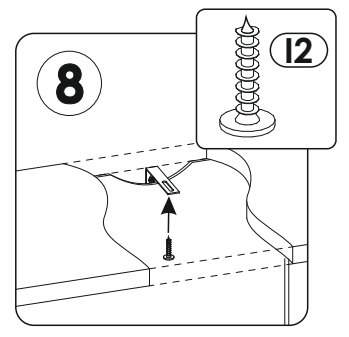
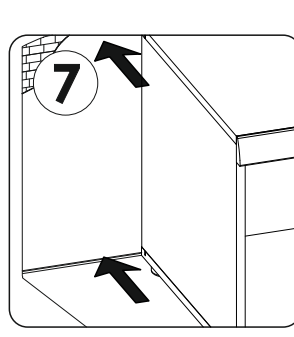
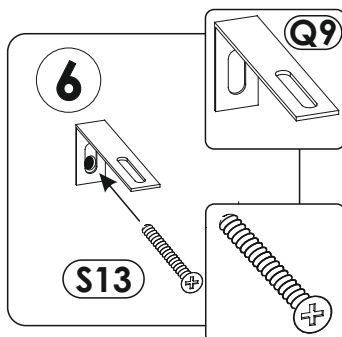
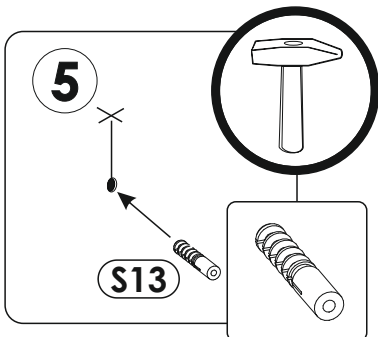
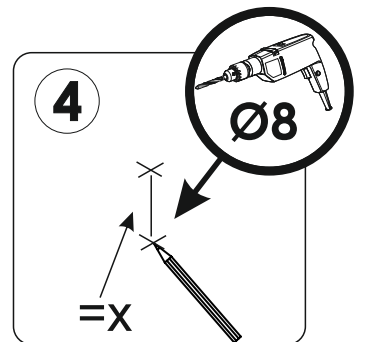
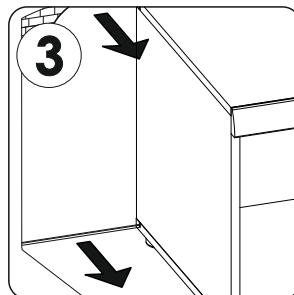
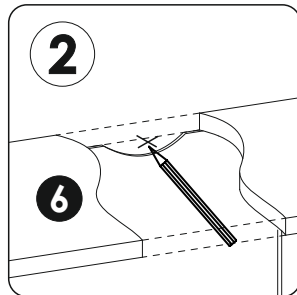
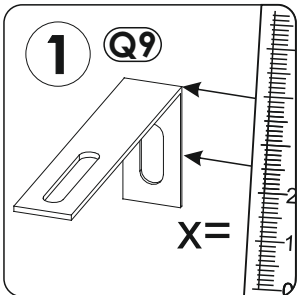
20 ▶



21 ▶

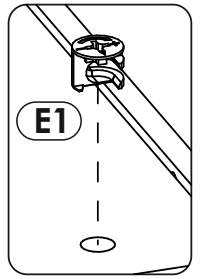
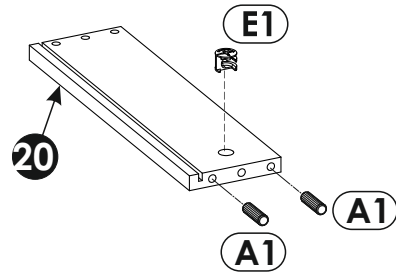
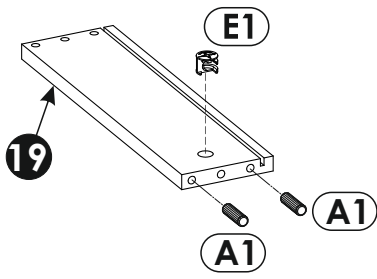


i

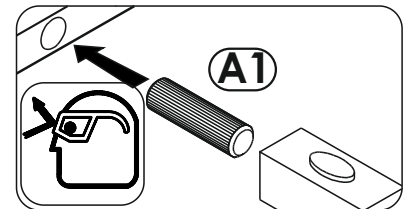
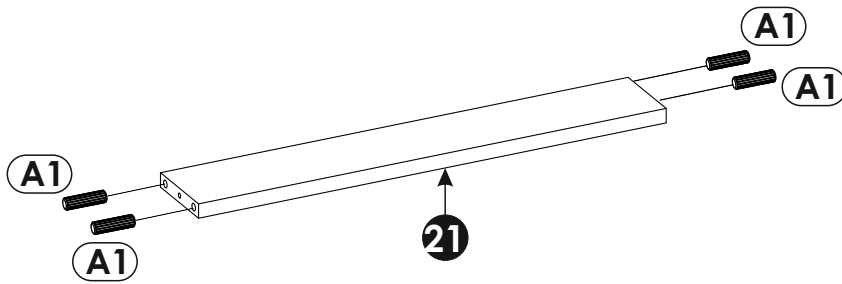




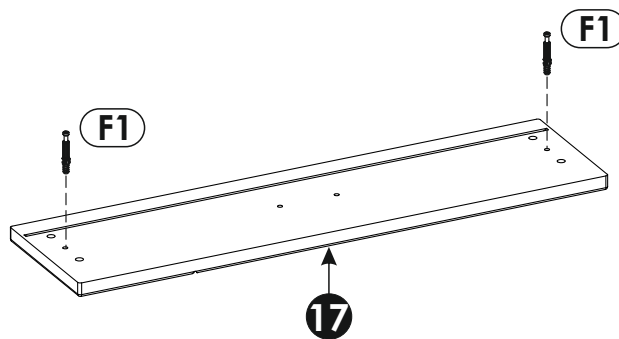
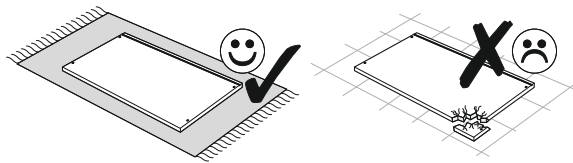
22▶



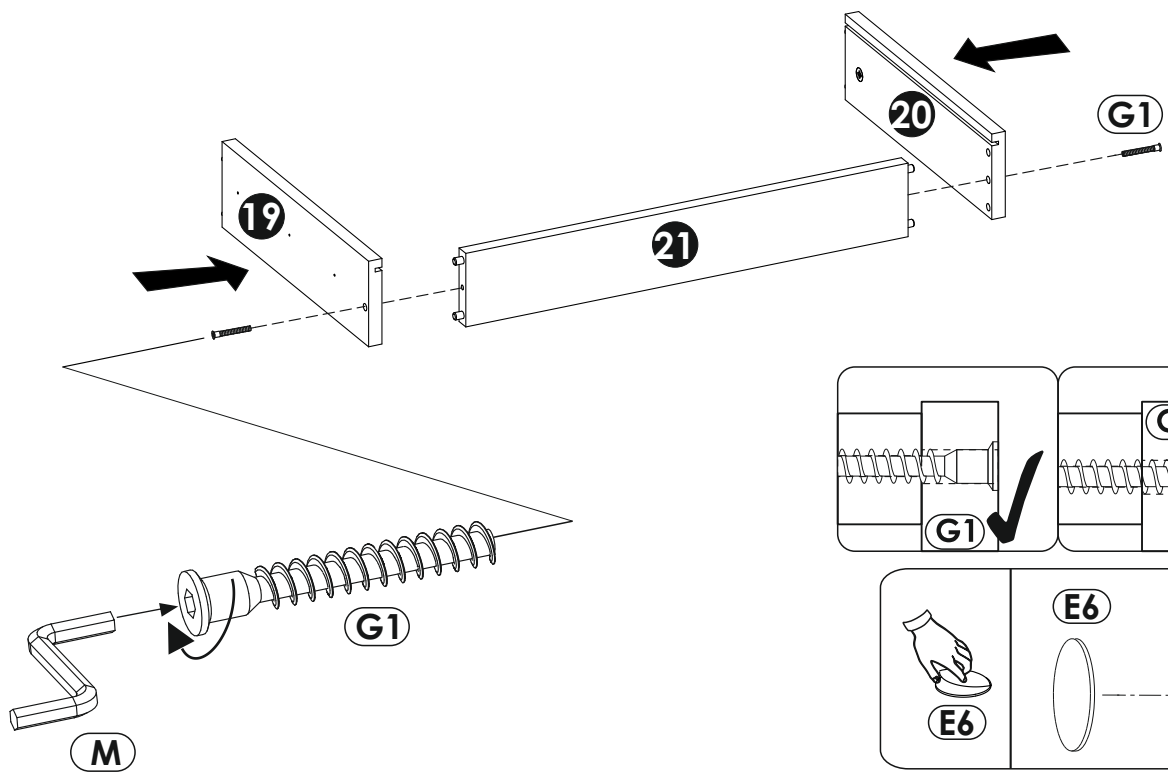
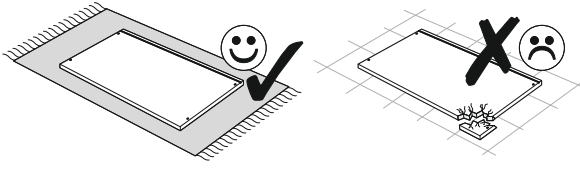
23▶



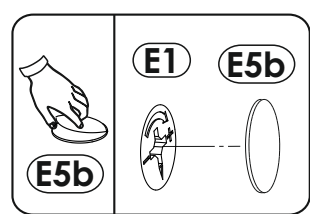
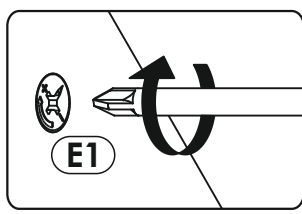
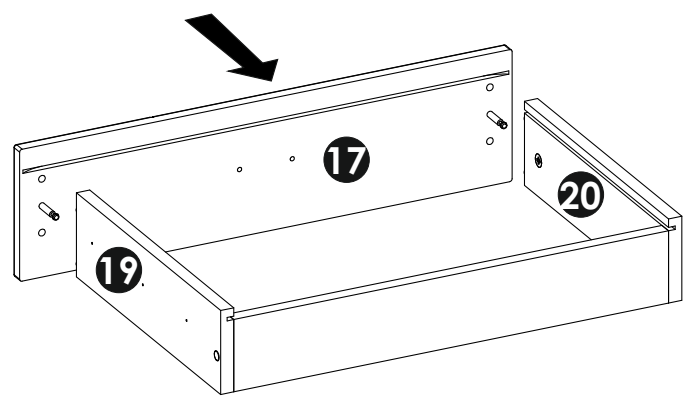
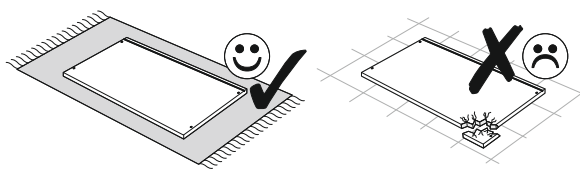
24▶



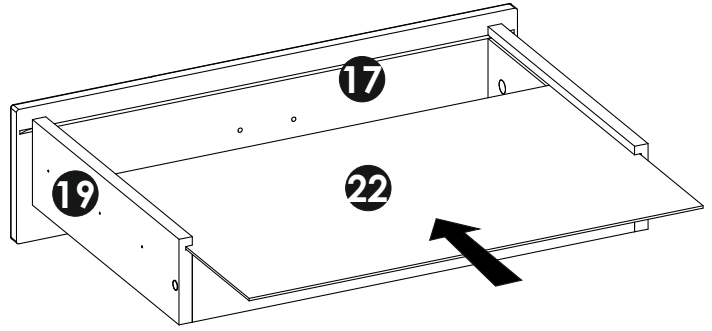
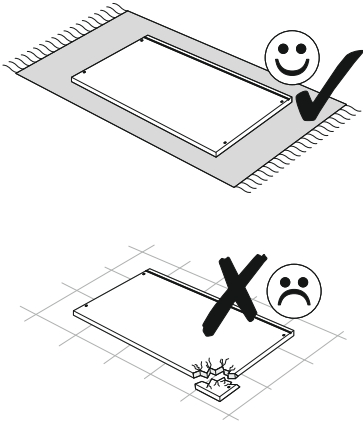
25 ▶



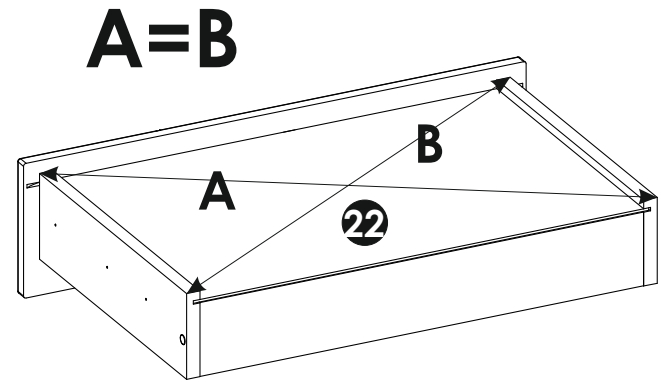
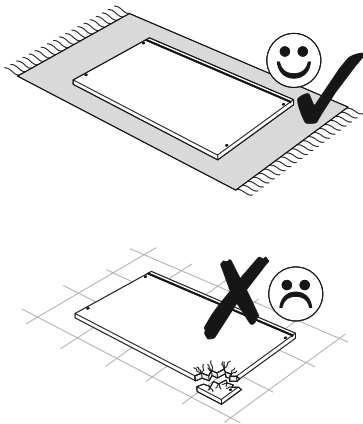
26 ▶



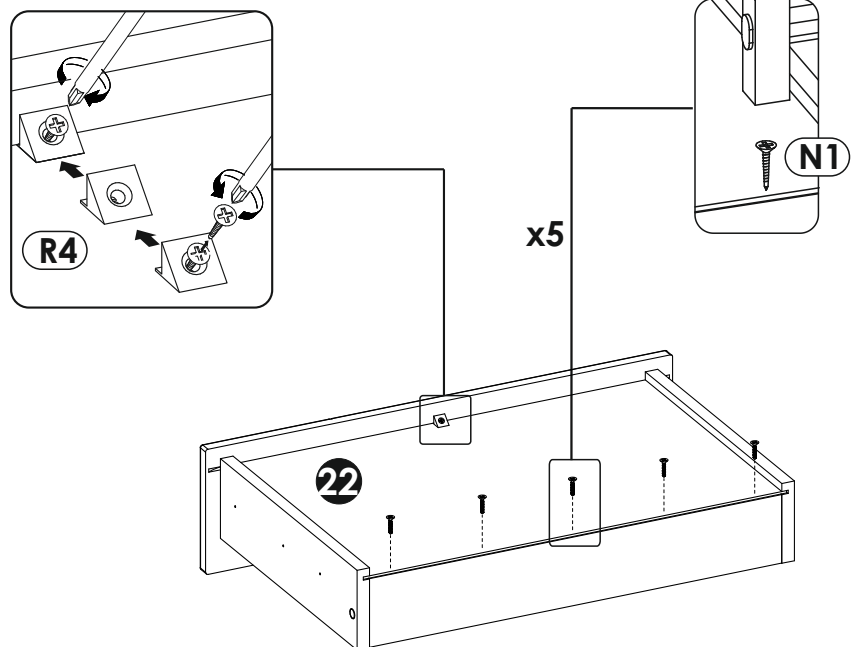
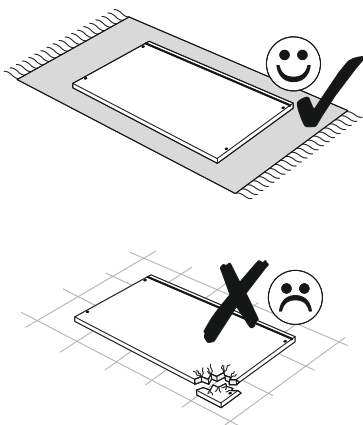
27▶



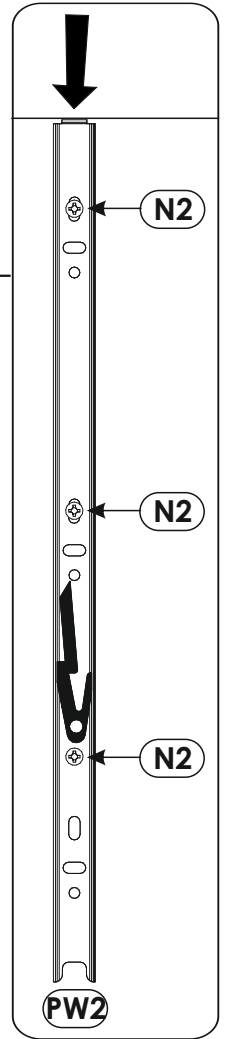
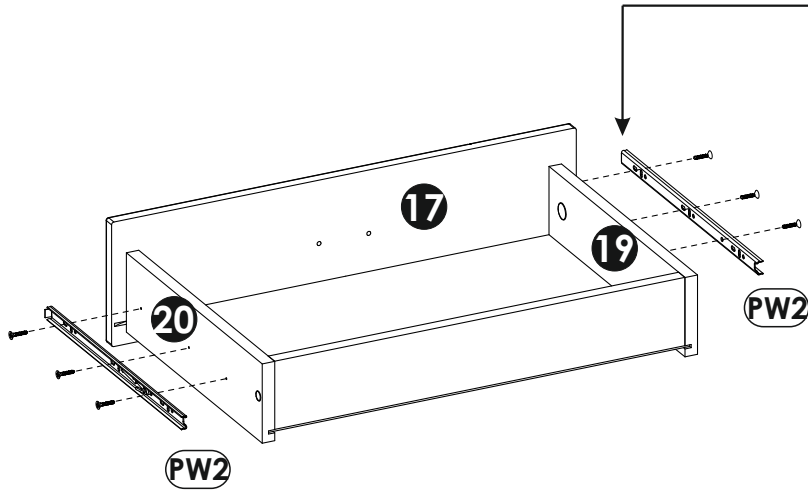
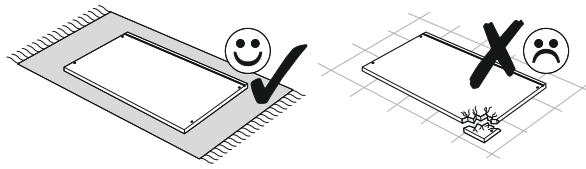
28▶



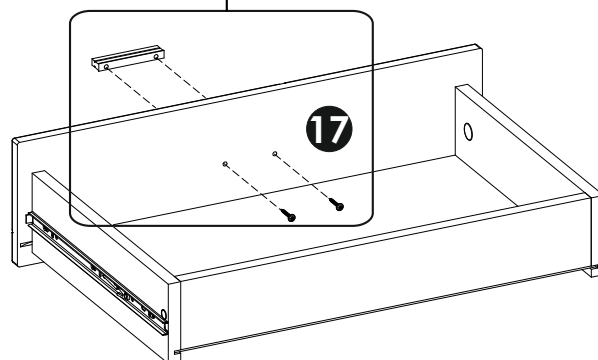
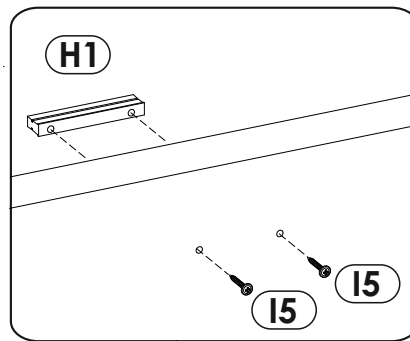
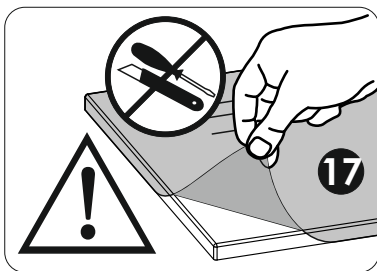
29▶



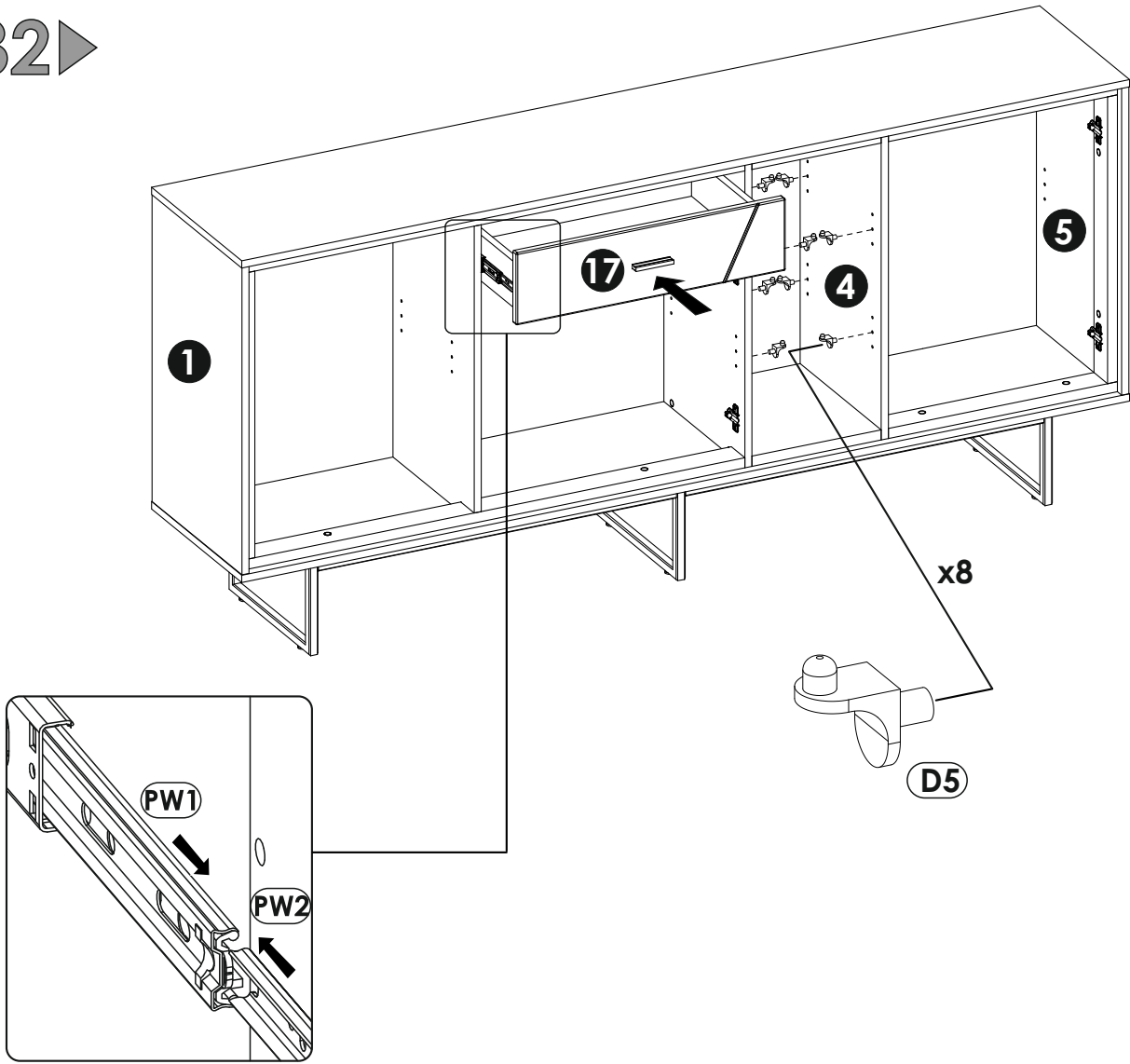
30 ▶



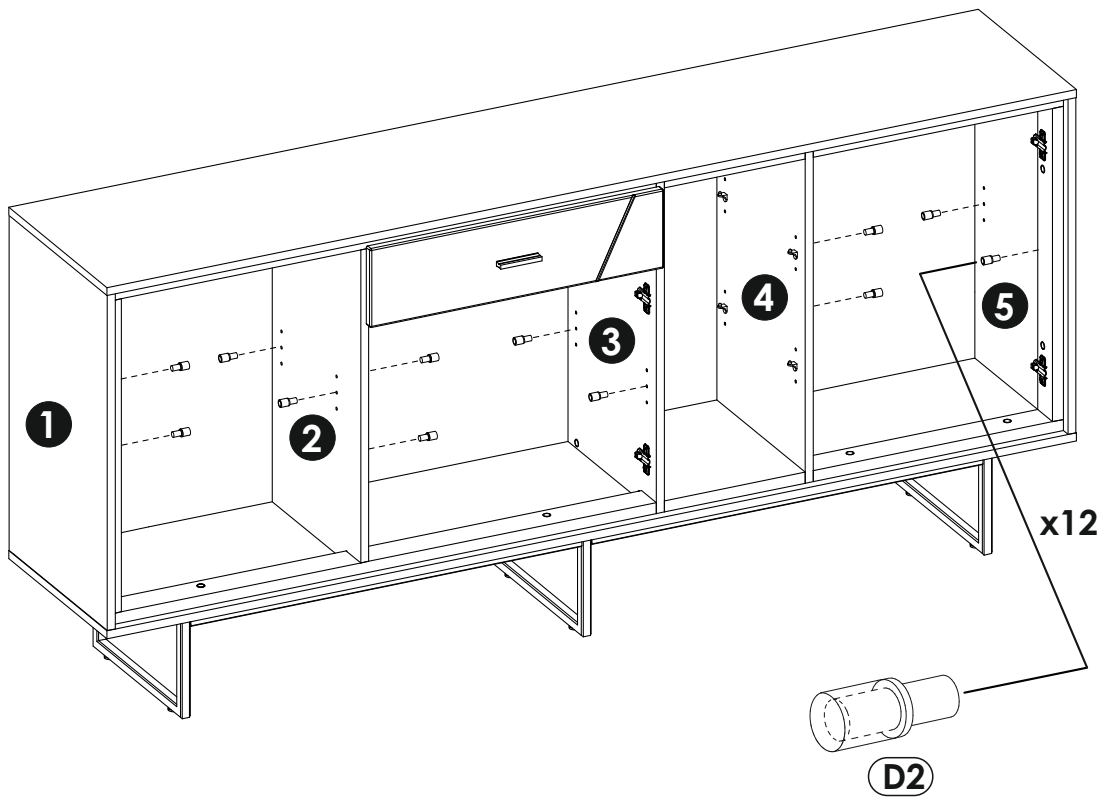
31 ▶



32 ▶



33 ▶



34▶

