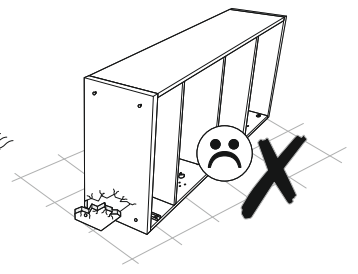
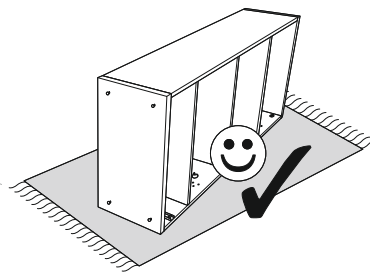
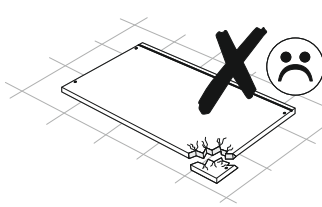
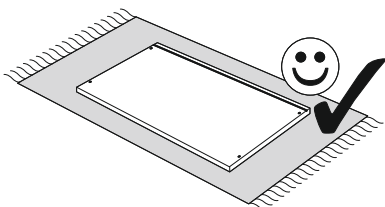
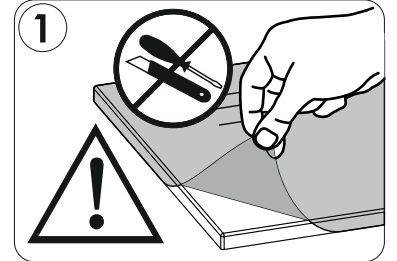
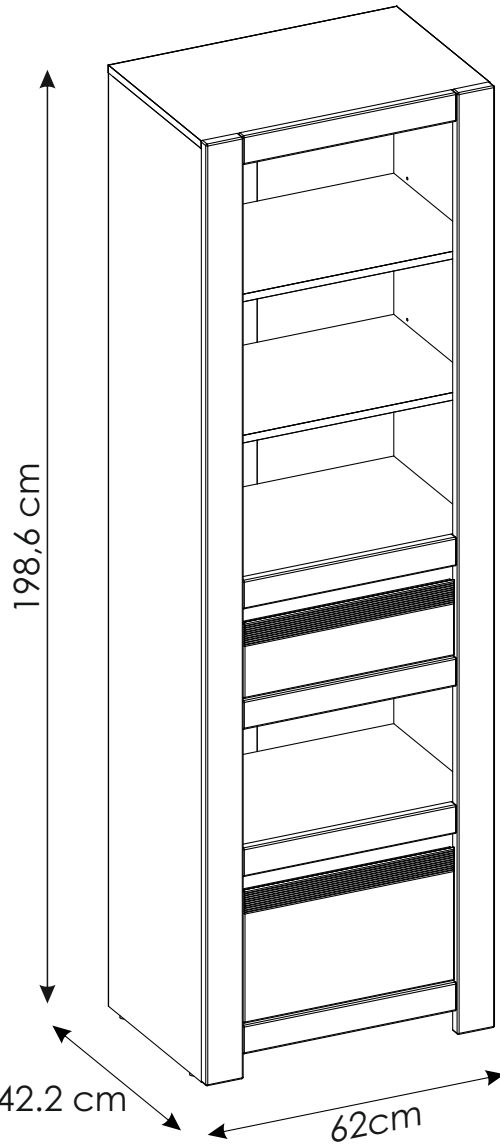
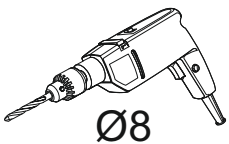
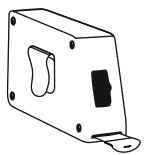
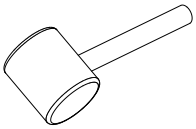
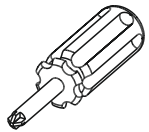
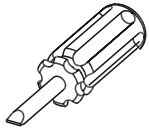
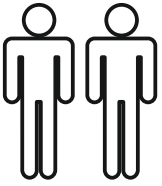
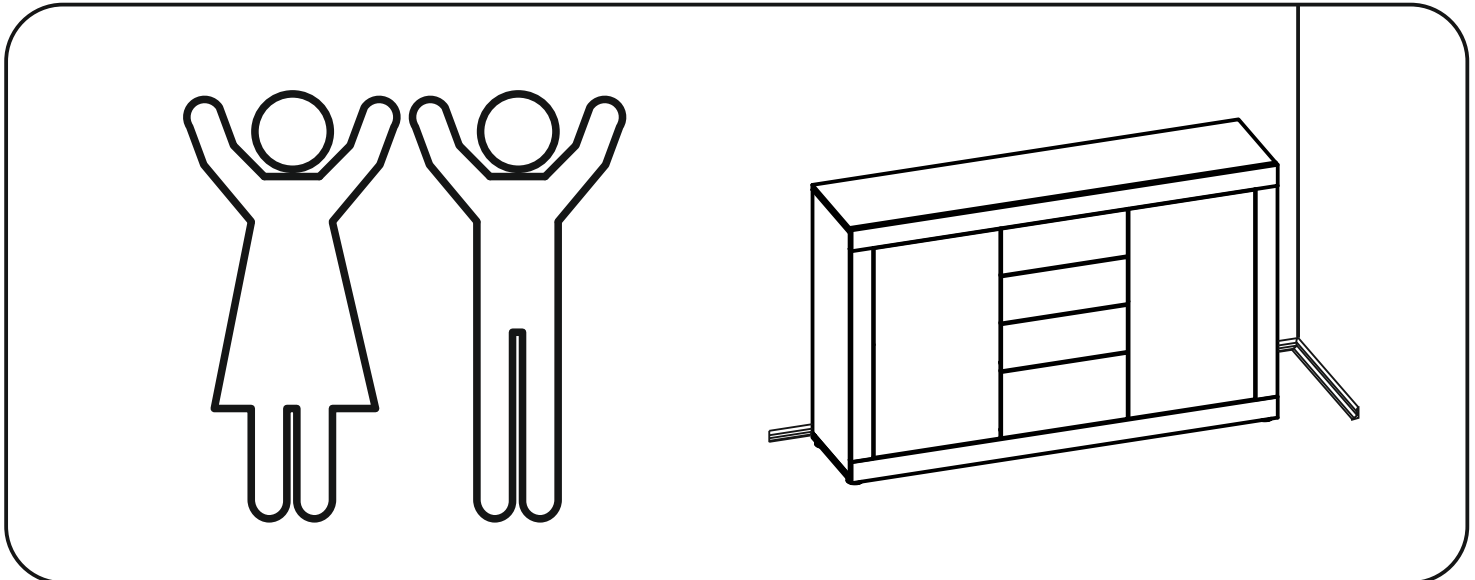
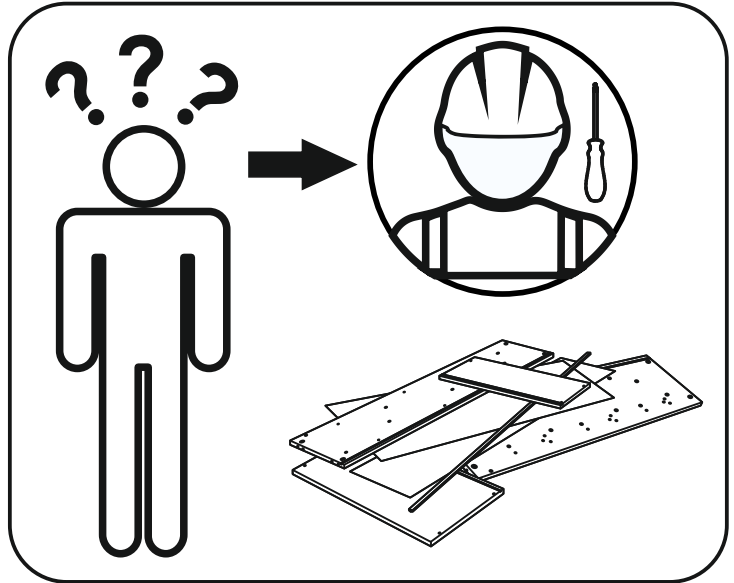
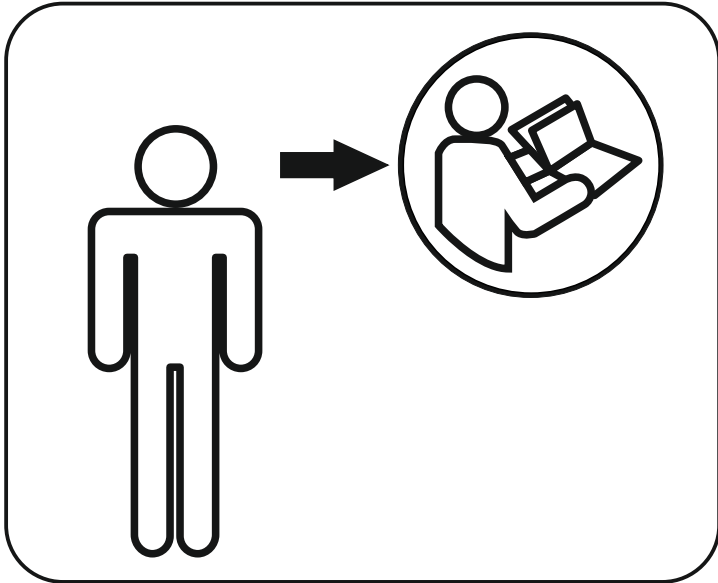
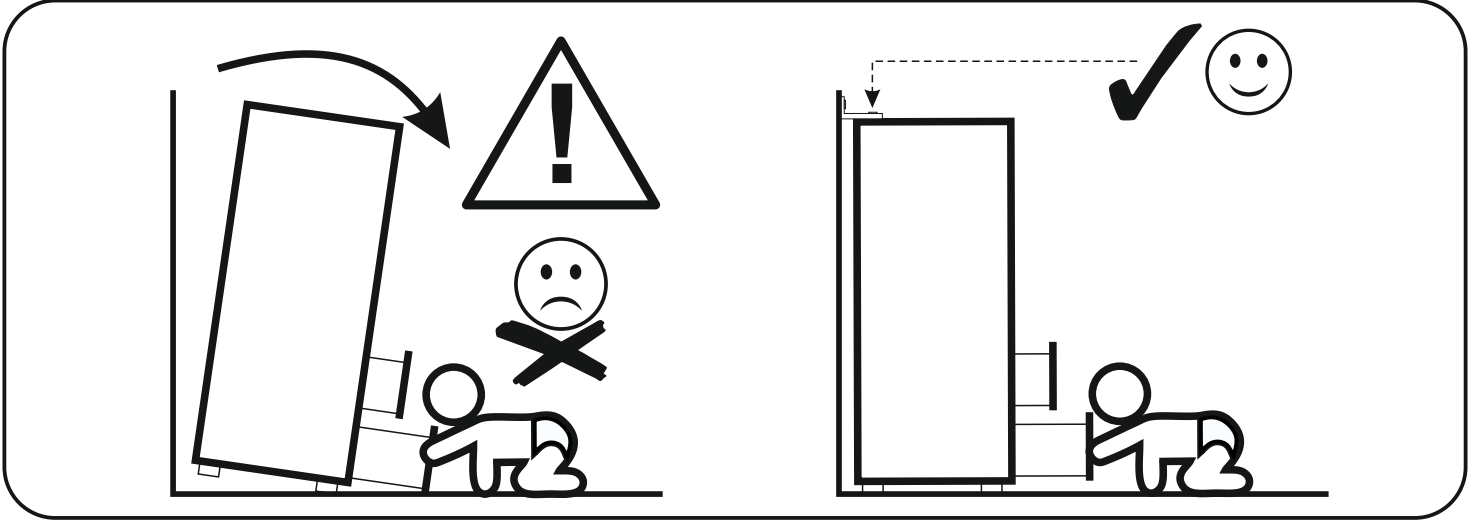
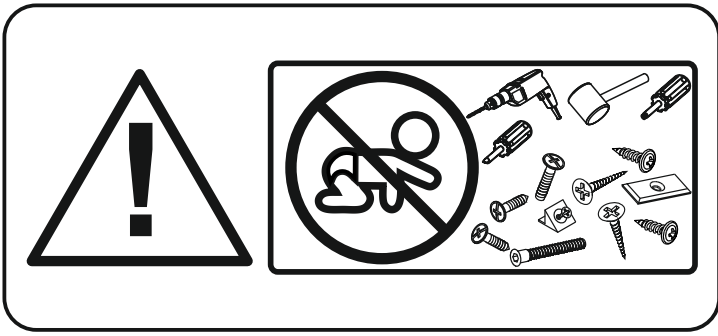


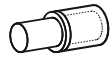
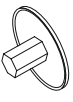

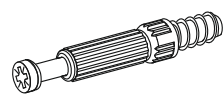
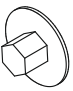




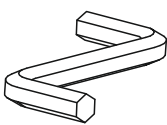

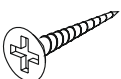
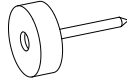
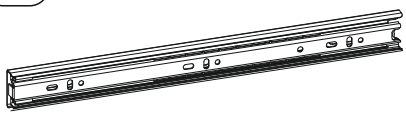
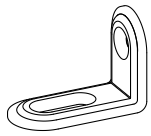
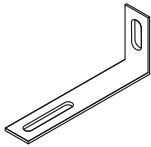
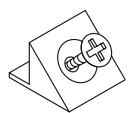

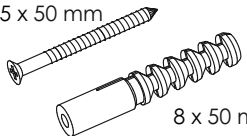
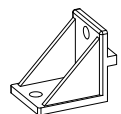
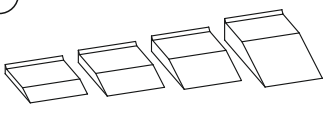


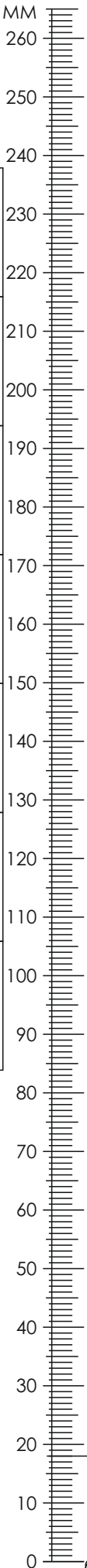
NVIR01



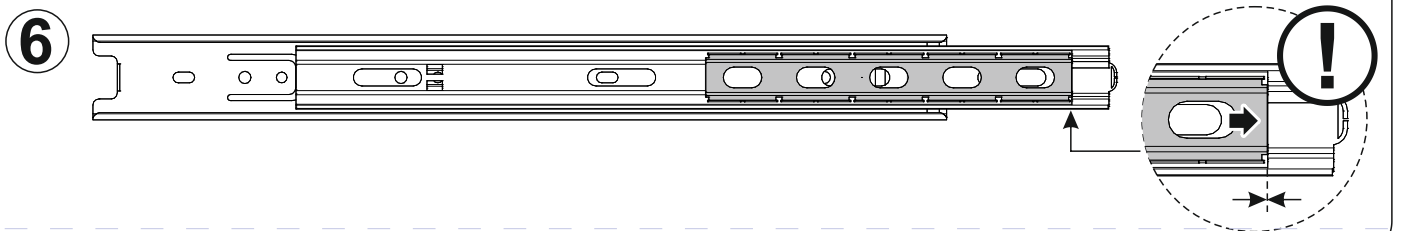
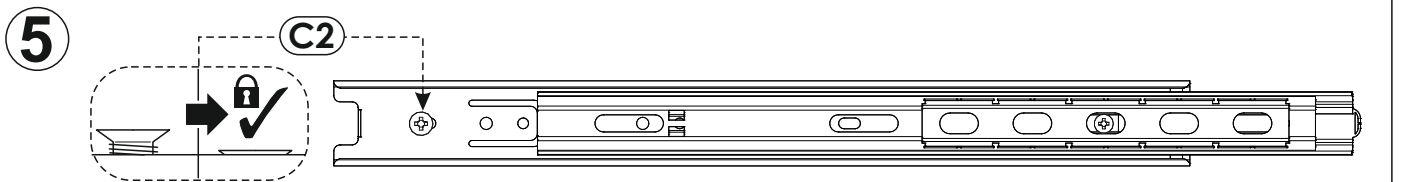
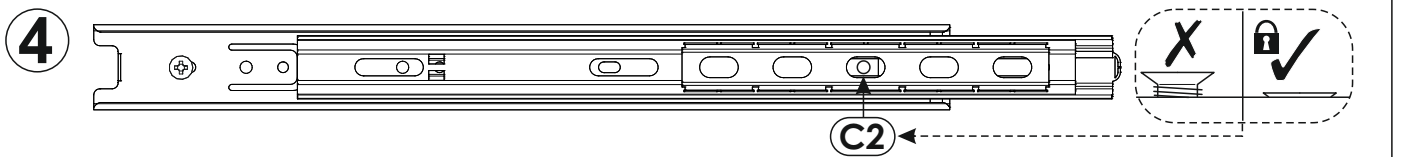
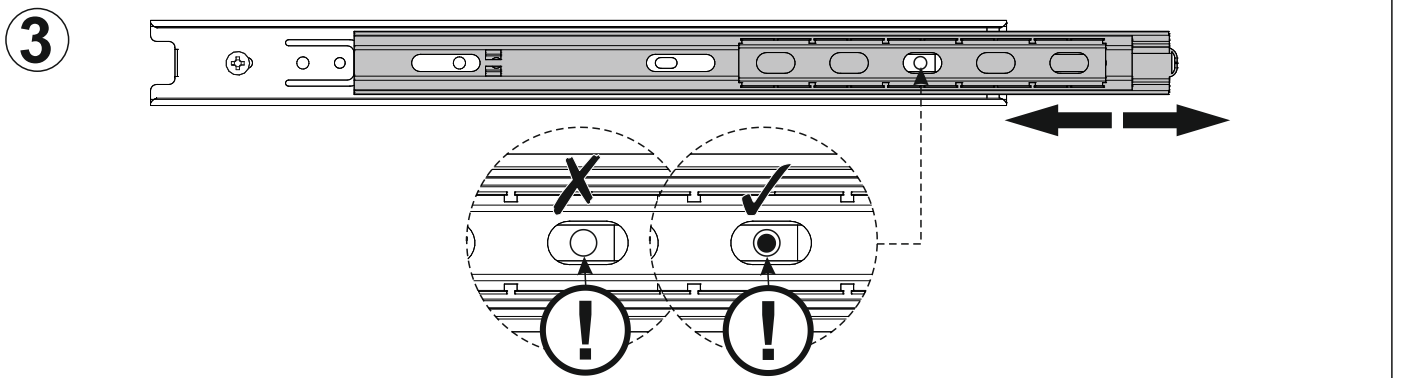
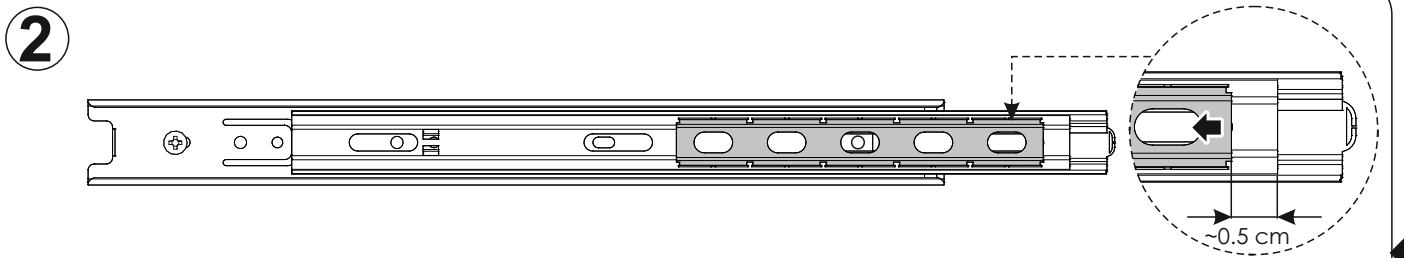
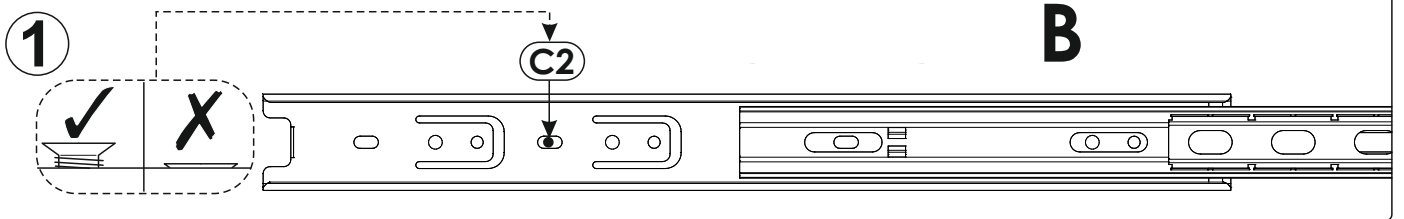
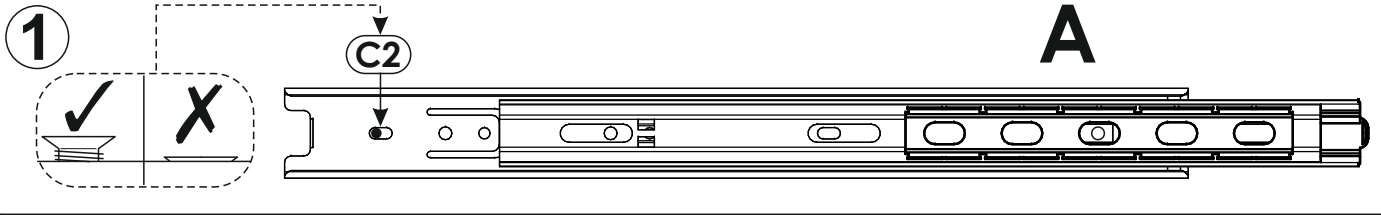


NVIR01

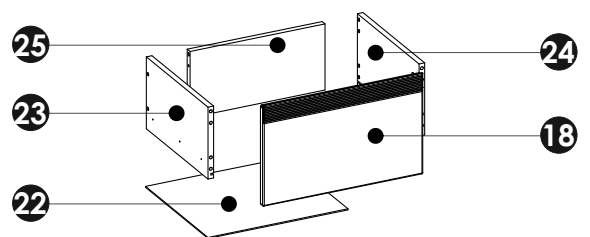
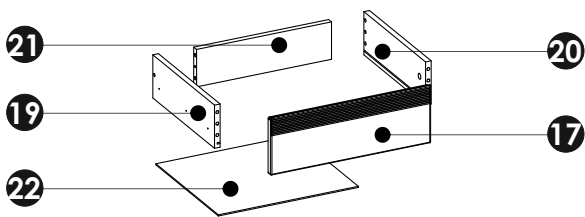
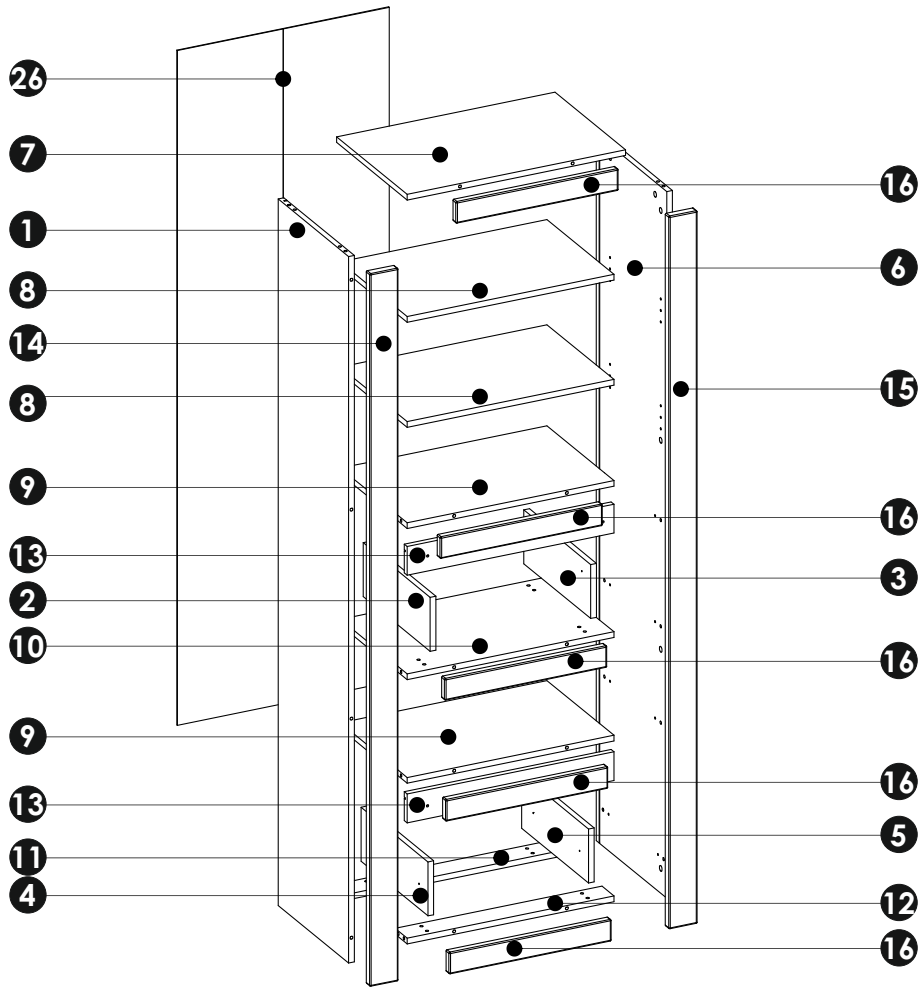
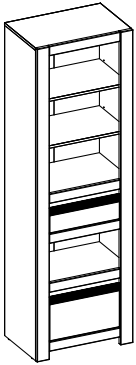
A1 8 x 35 mm x44 	C2 5 x 13 mm x8 	D2 x8 
E0 x24 	E1 15 x 12 mm x44 	F1 6 x 34 mm x44 
G0 x4 	G1 7 x 50 mm x14 	I2 4 x 16 mm x2 
I13 3 x 13 mm x24 	I18 3,5 x 27 mm x4 	M x1 
N1 3 x 16 mm x25 	N2 3,5 x 16 mm x16 	O2 x4 
PW L - 350 x4 	Q2 x2 	Q9 x2 
R4 x14 	R8 x4 	S13 5 x 50 mm x2 8 x 50 mm 
W13 x6 	Z x1 	



NVIR01



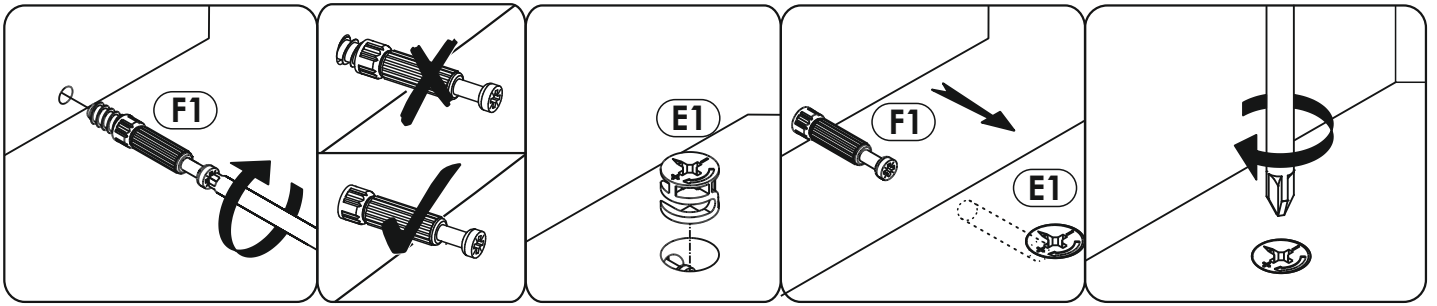
NVIR01



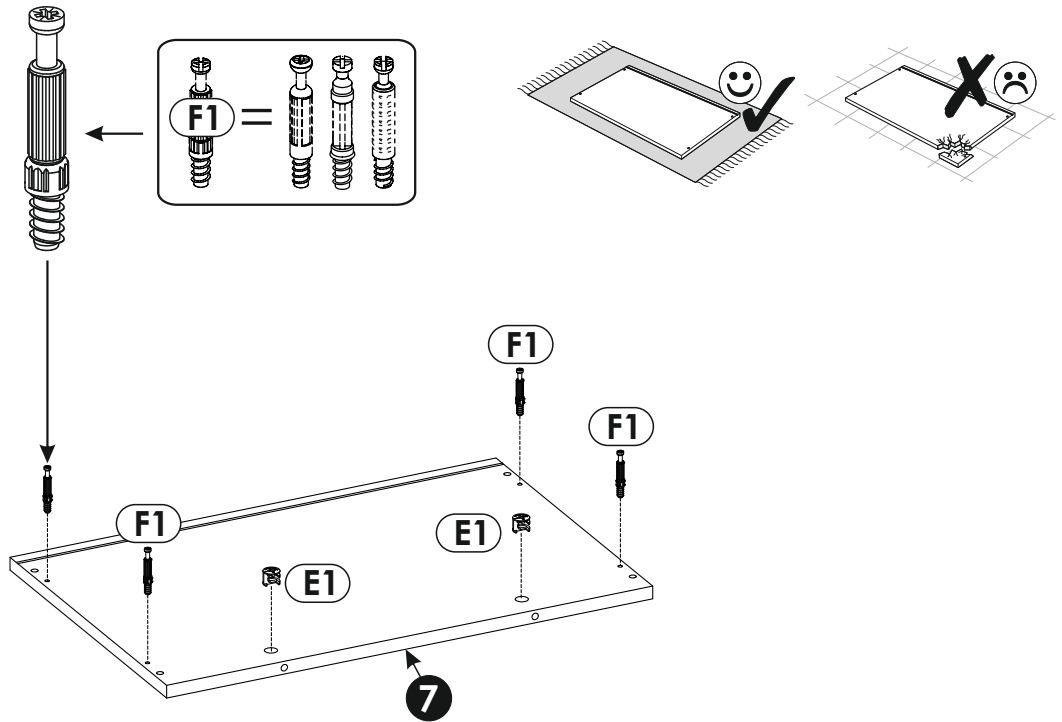
1	1964	400	16 x1	2/2
2	150	380	16 x1	1/2
3	150	380	16 x1	1/2
4	150	380	16 x1	1/2
5	150	380	16 x1	1/2
6	1964	400	16 x1	2/2
7	620	400	16 x1	1/2
8	587	380	16 x2	1/2
9	587	380	16 x2	1/2

10	587	380	16 x1	1/2
11	587	68	16 x1	2/2
12	587	68	16 x1	2/2
13	587	80	16 x2	2/2
14	1981	80	22 x1	2/2
15	1981	80	22 x1	2/2
16	460	60	19 x5	2/2
17	454	160	16 x1	2/2
18	454	280	16 x1	2/2

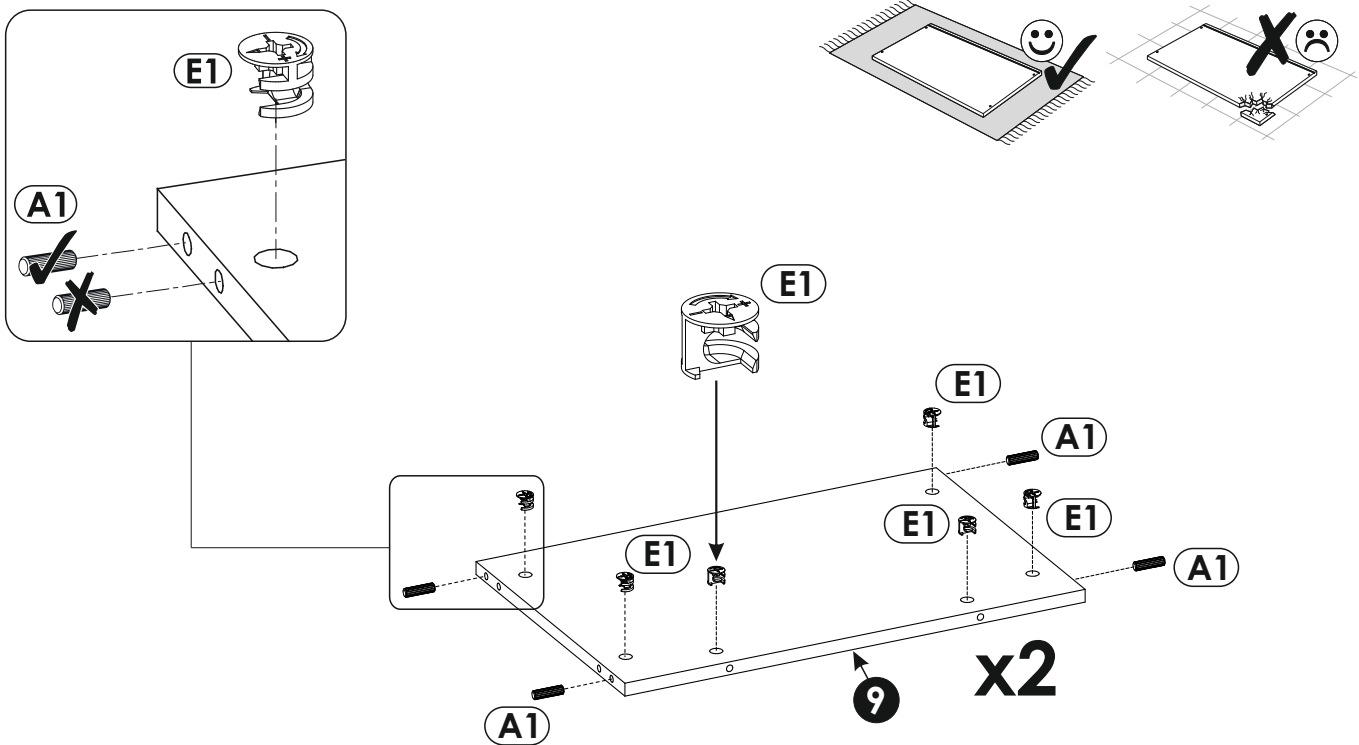
19	350	120	16 x1	2/2
20	350	120	16 x1	2/2
21	383	104	16 x1	2/2
22	397	355	3 x2	1/2
23	350	200	16 x1	2/2
24	350	200	16 x1	2/2
25	383	184	16 x1	2/2
26	1876	602	3 x1	2/2



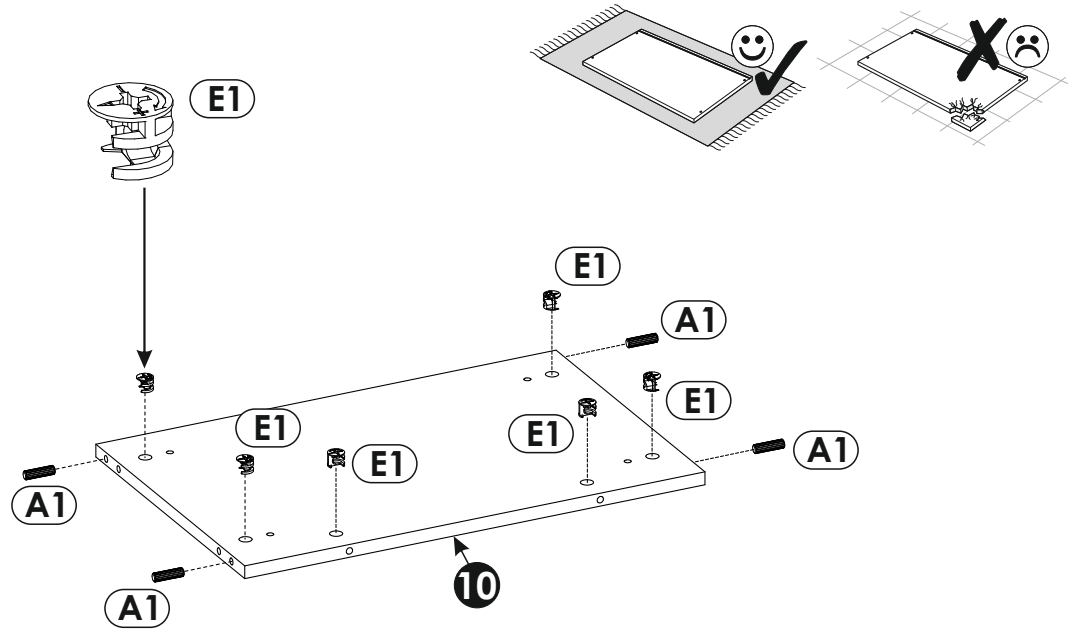
1 ▶



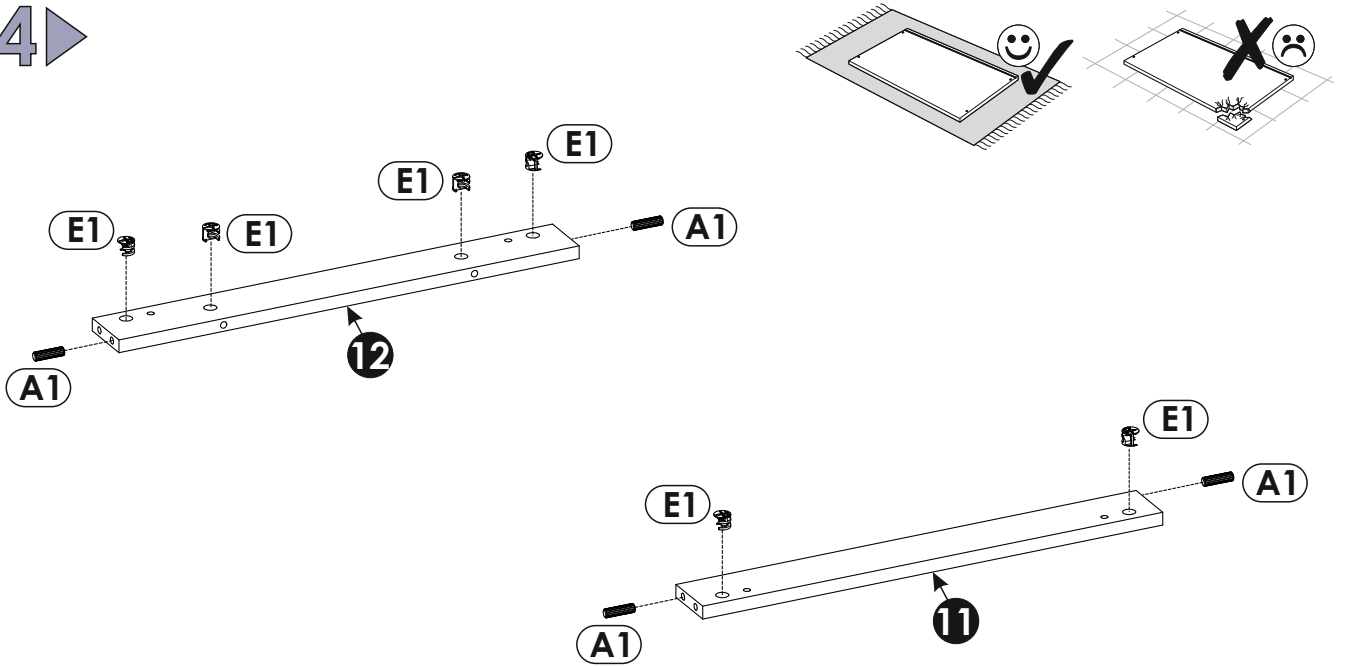
2 ▶



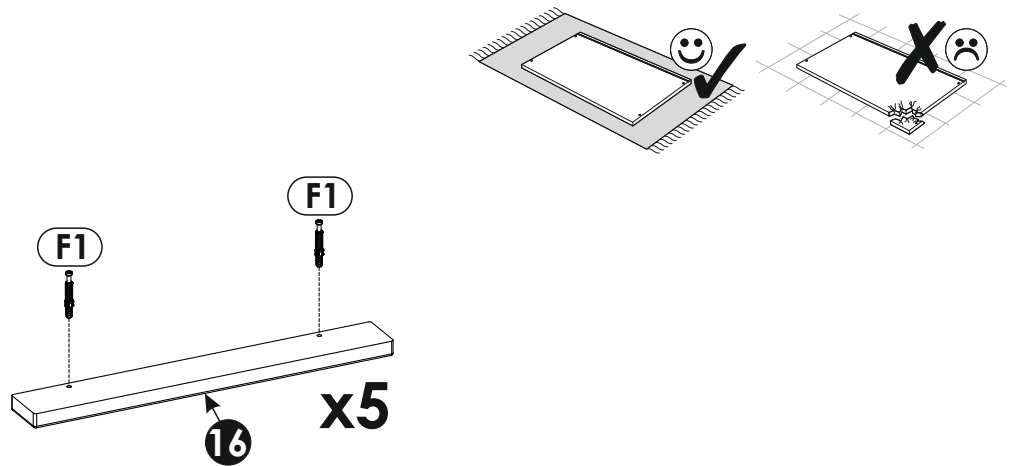
3 ▶



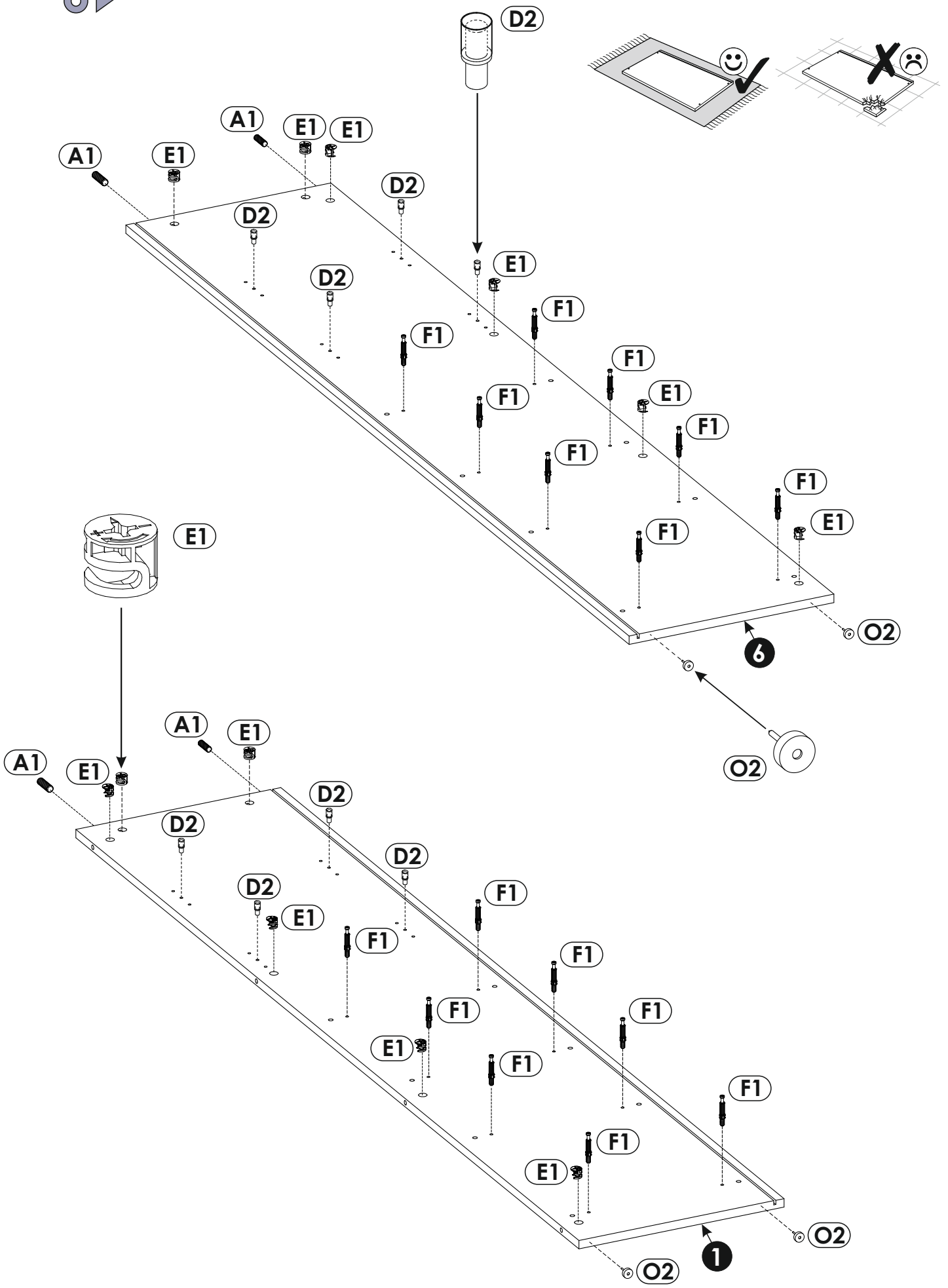
4 ▶

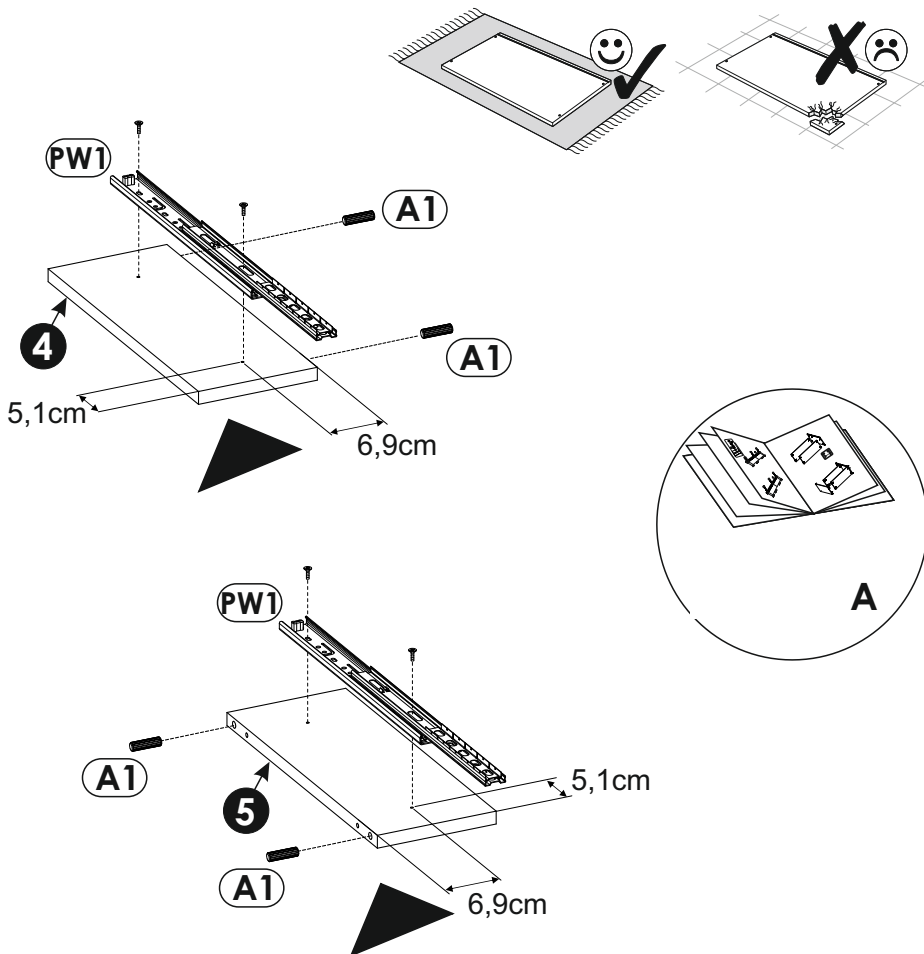
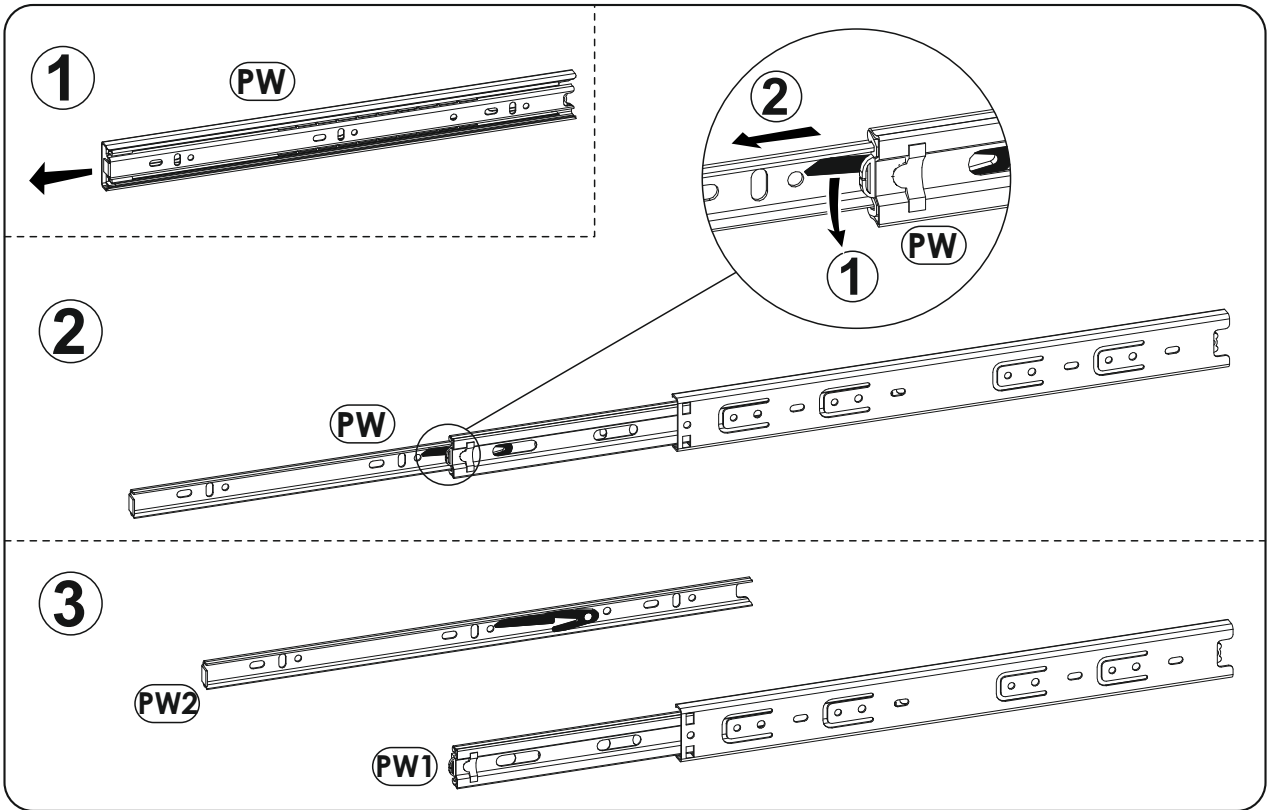


5 ▶

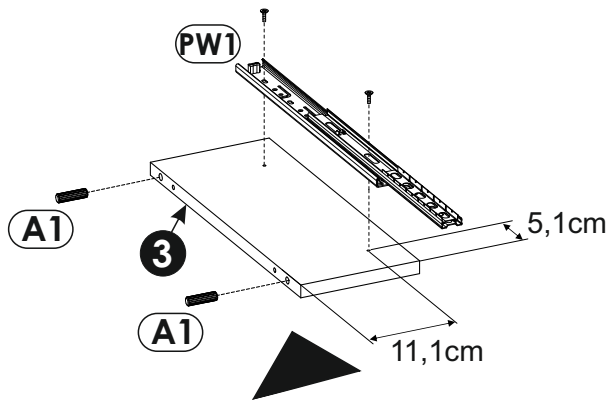
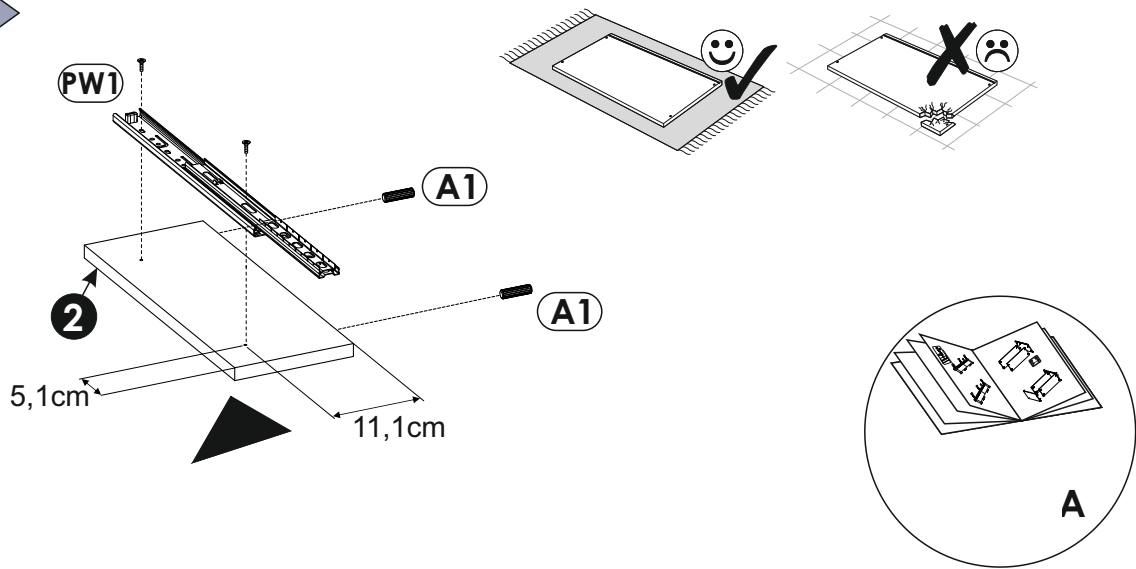


6 ▶

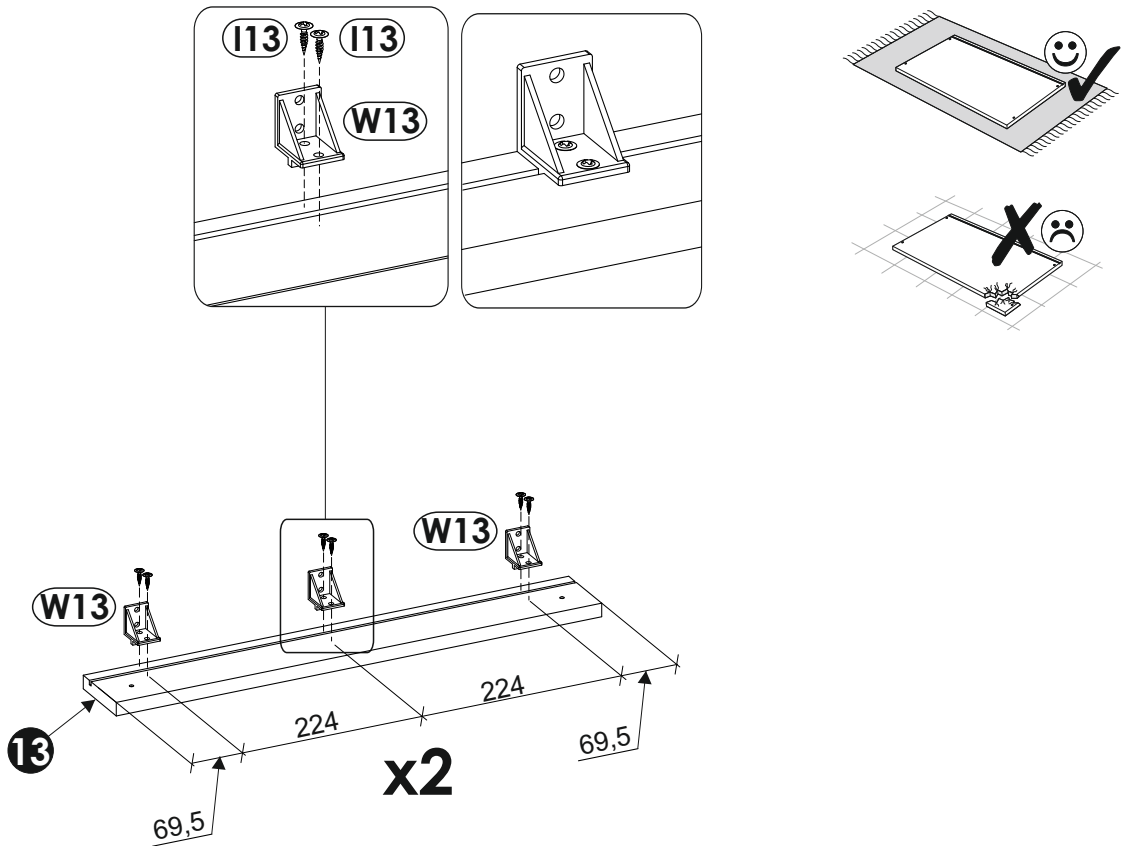




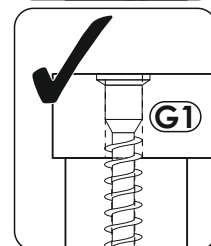
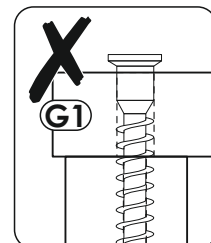
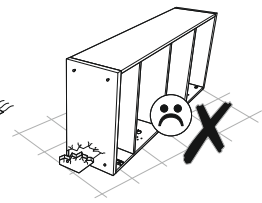
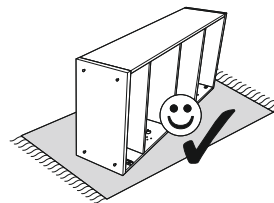
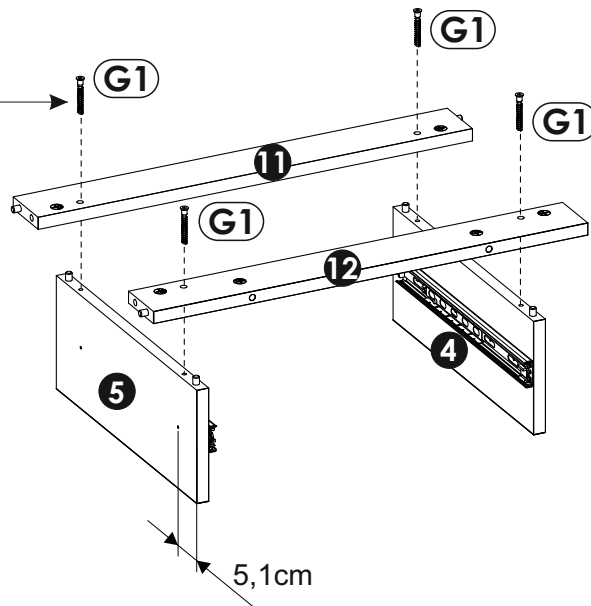
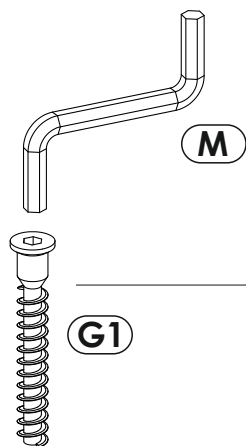
8 ▶



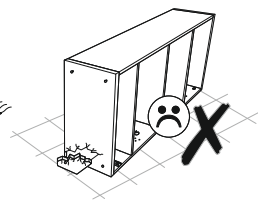
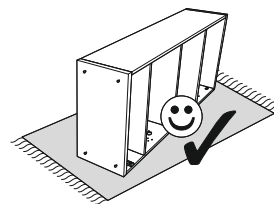
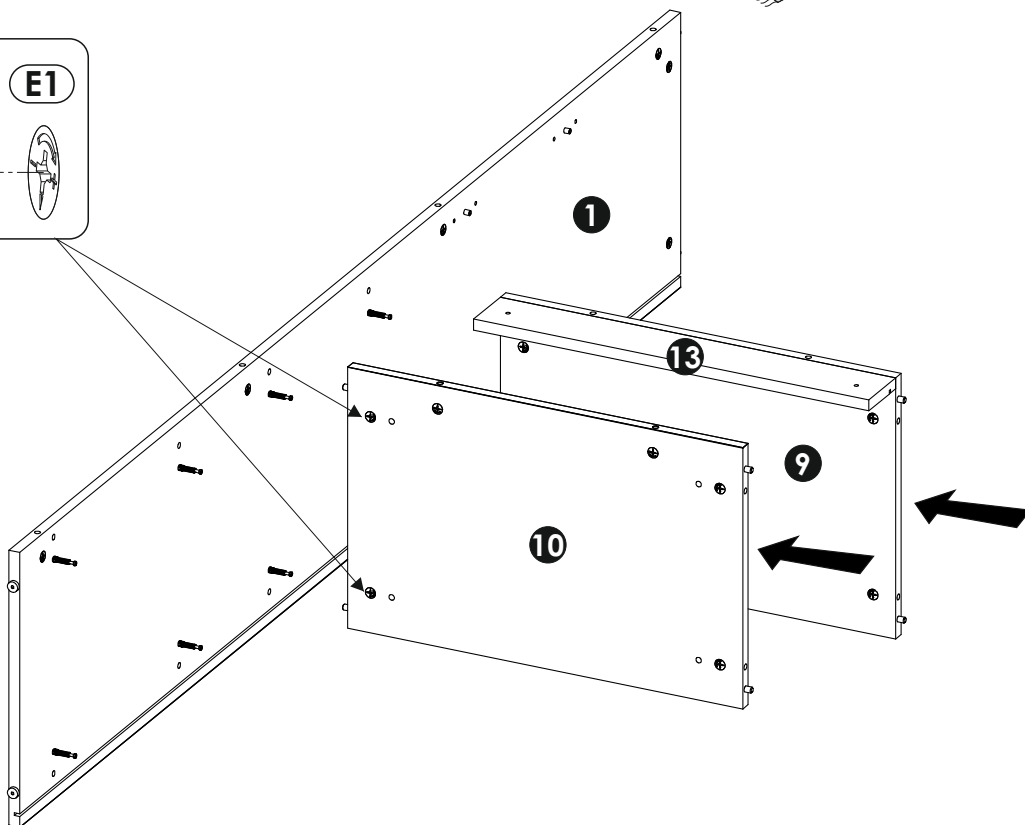
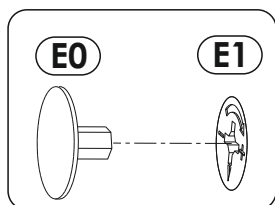
9 ▶



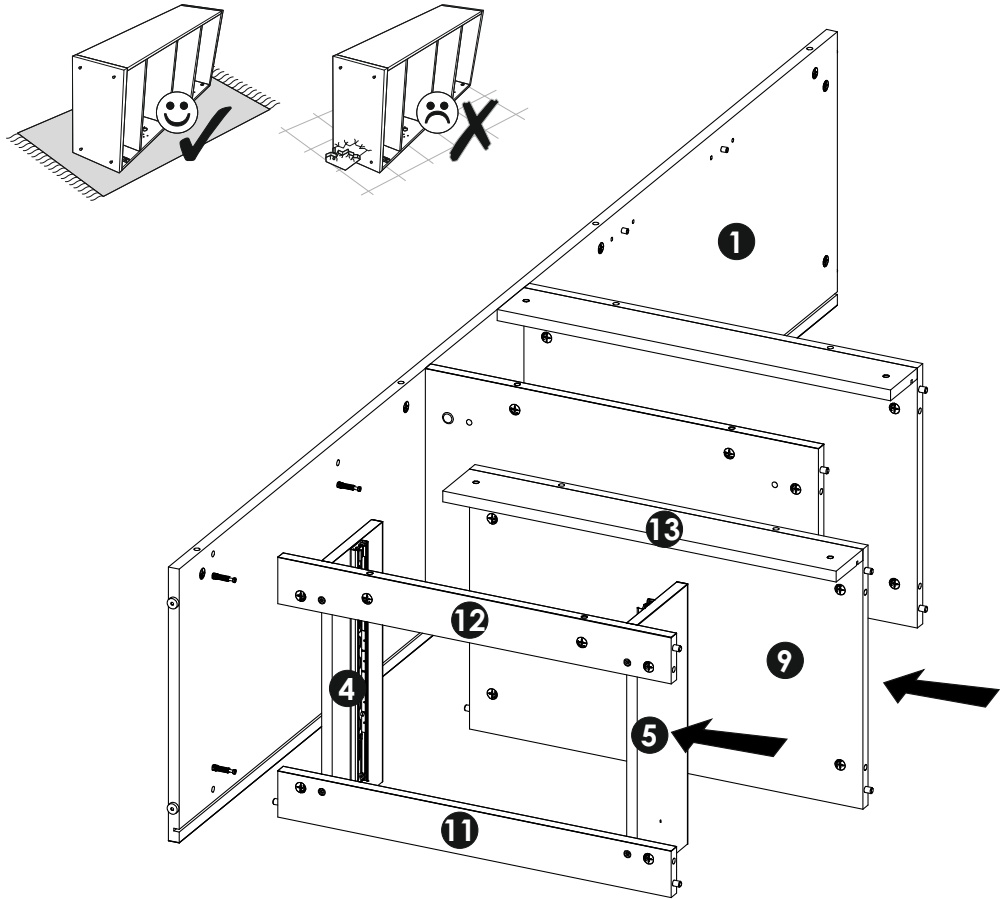
12▶



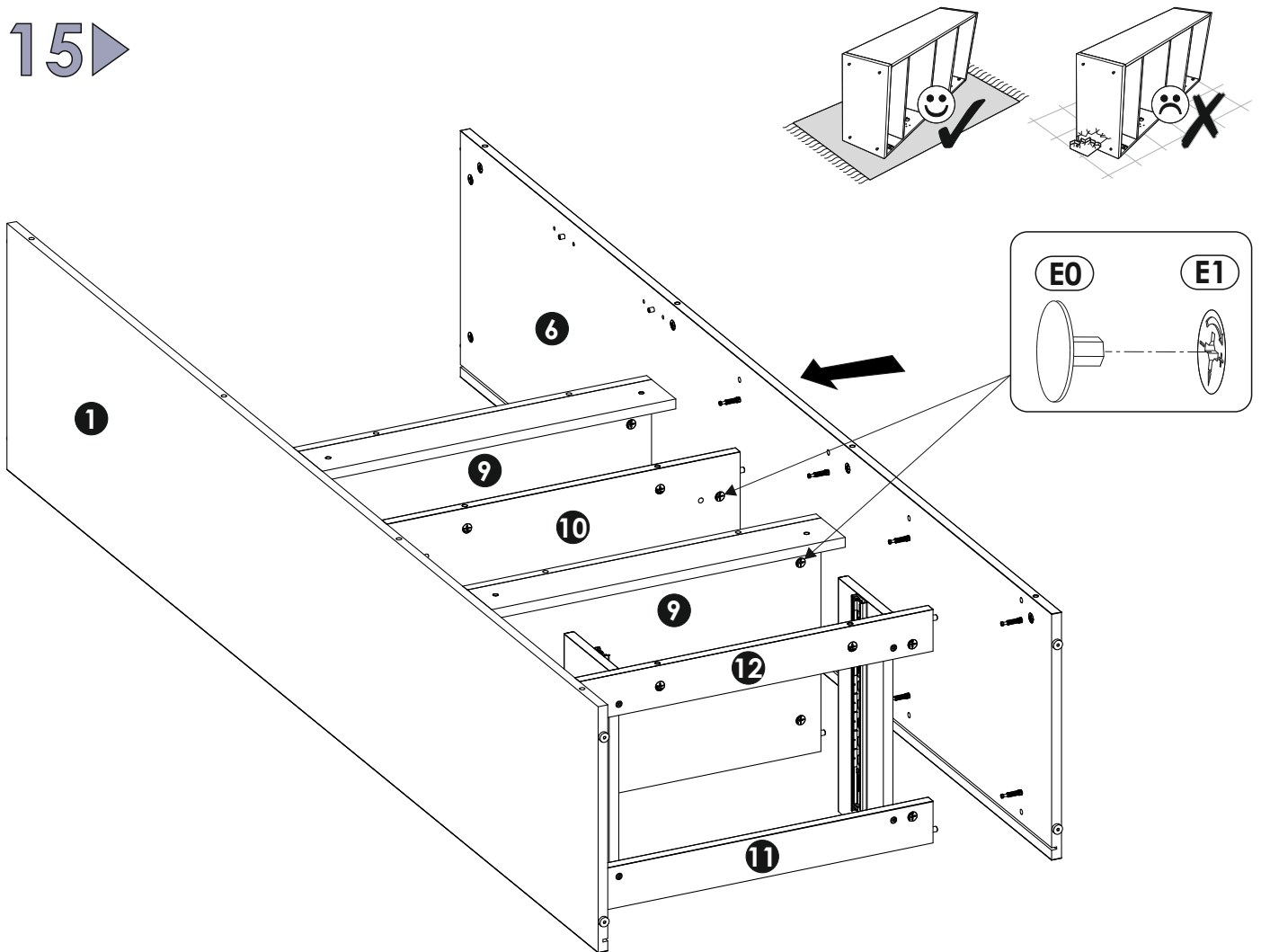
13▶

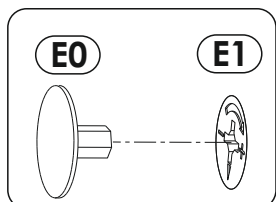
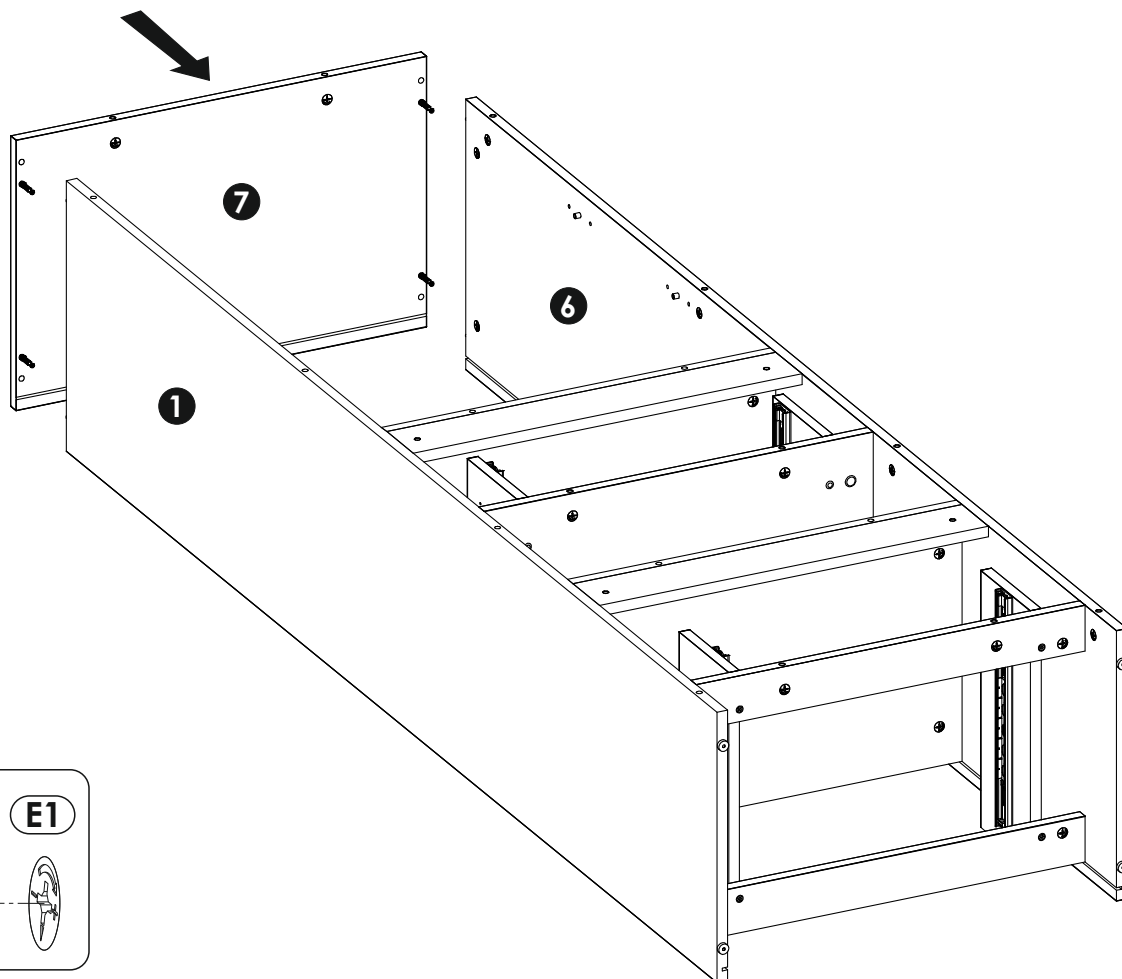
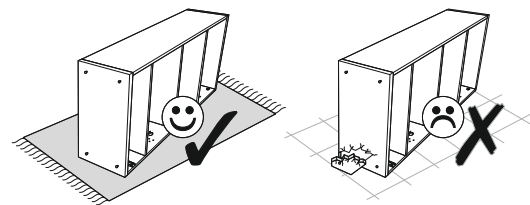


14 ▶

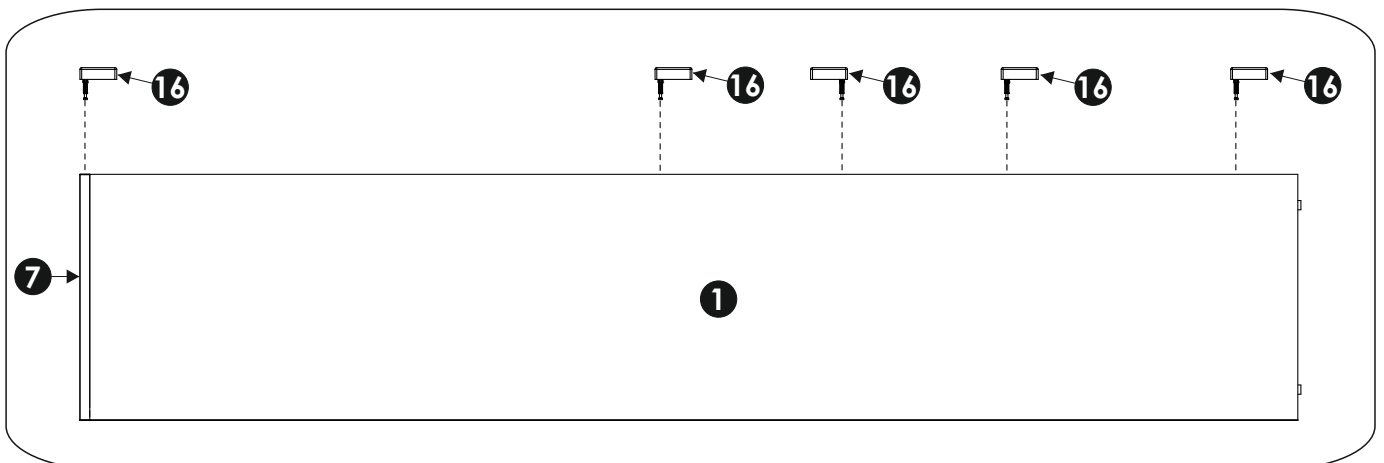
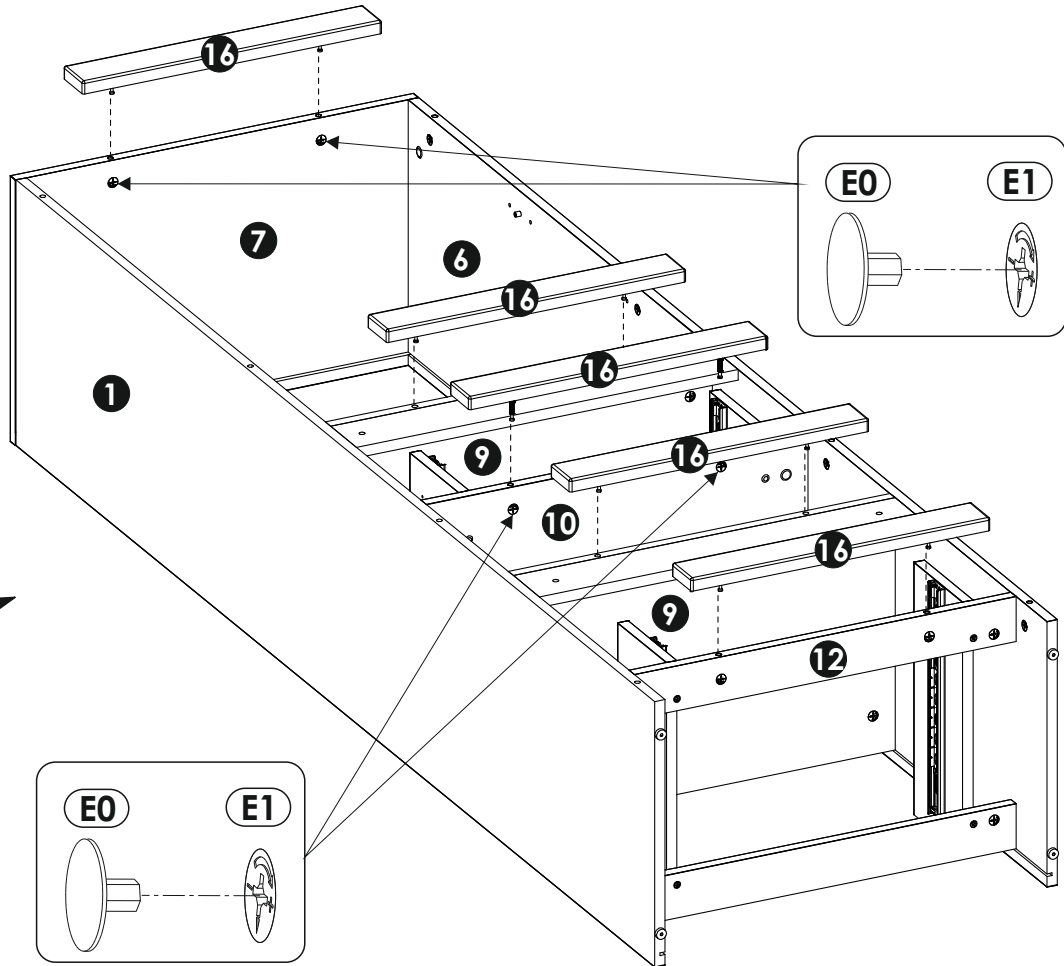
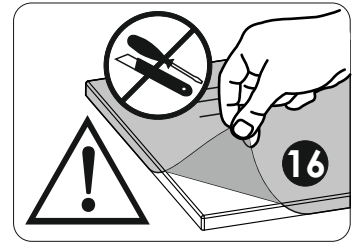
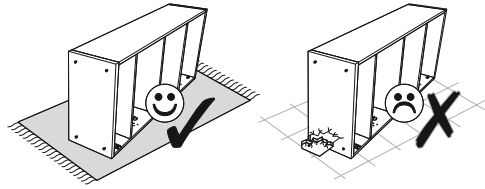


15 ▶

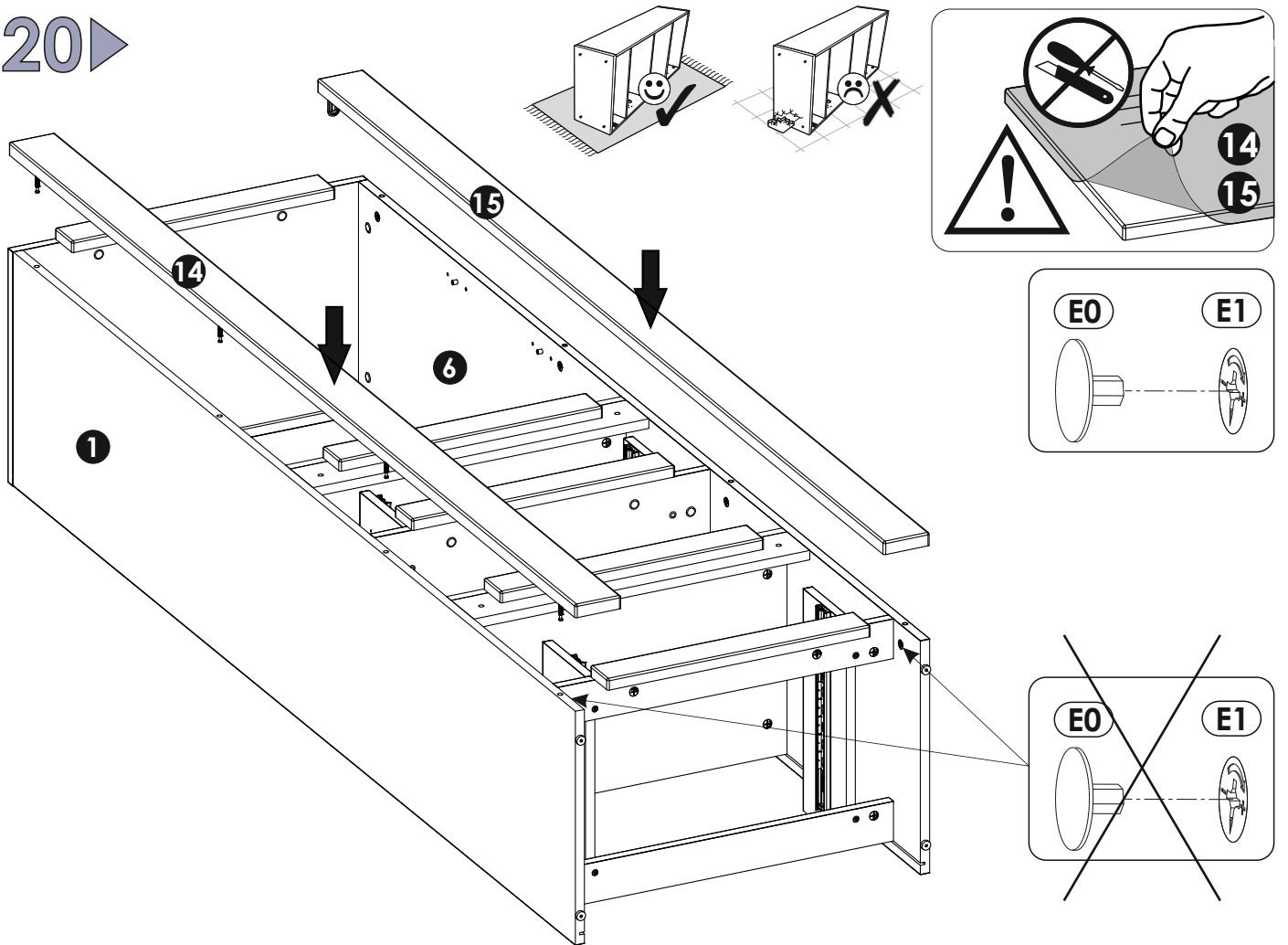




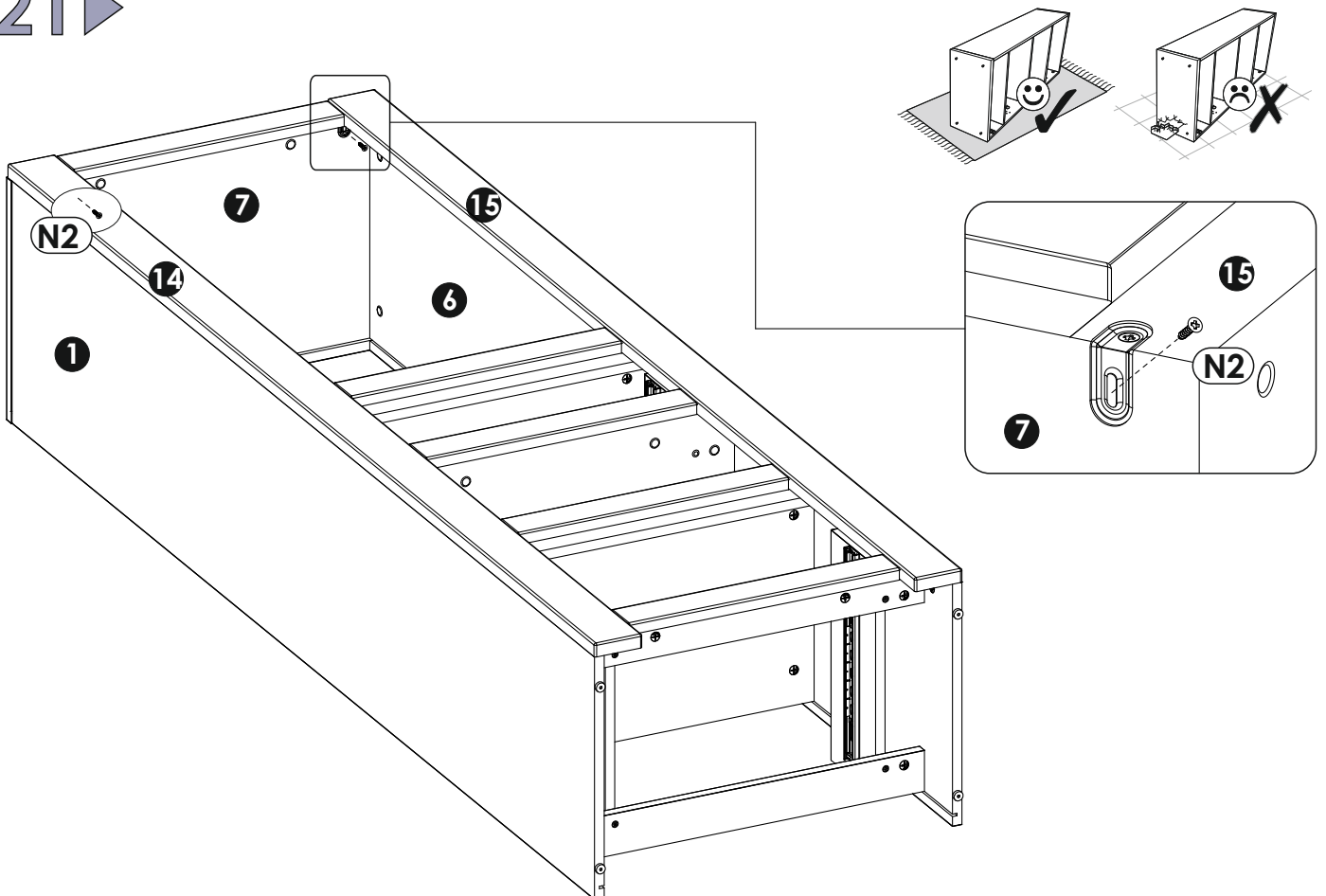
19 ▶



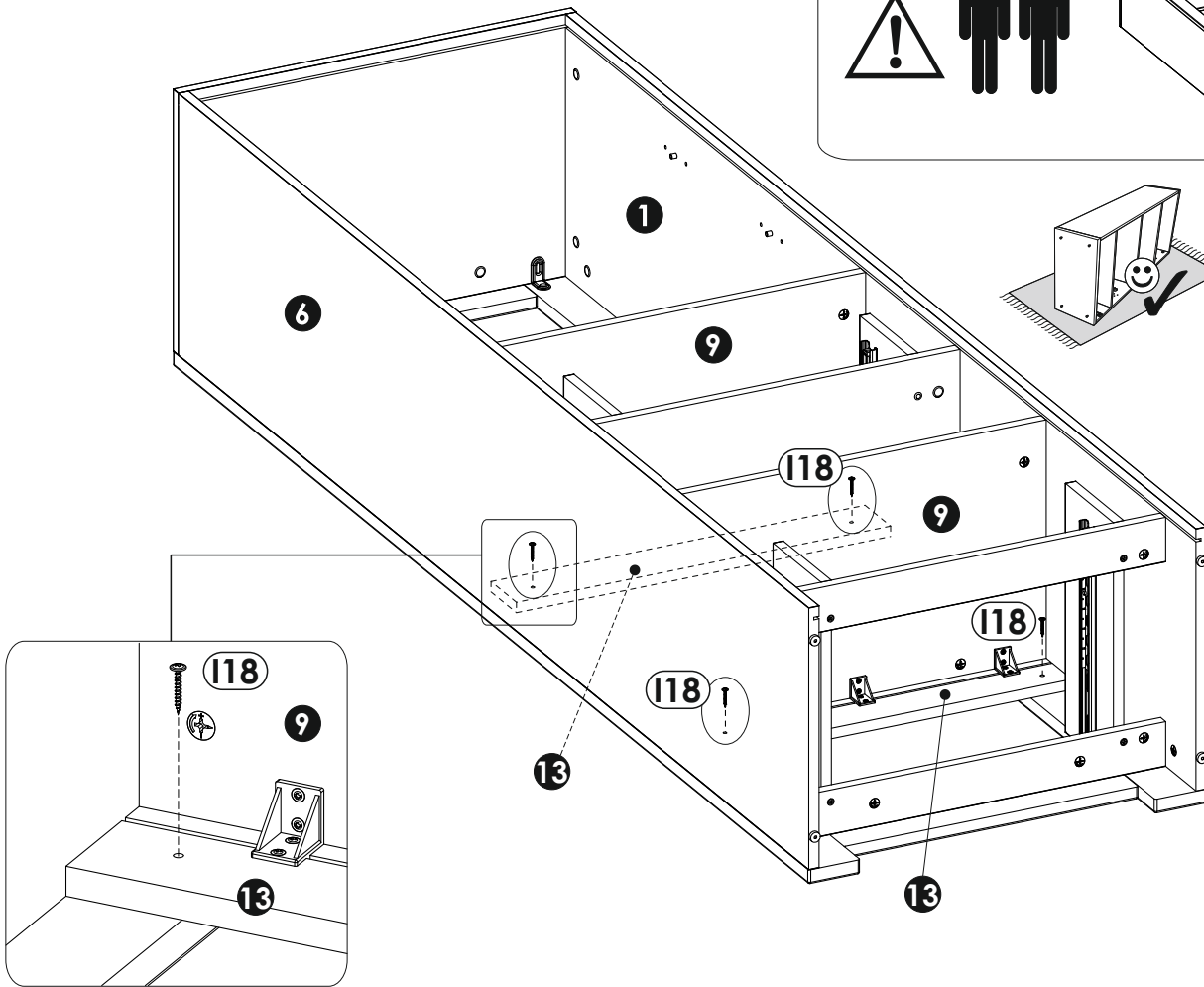
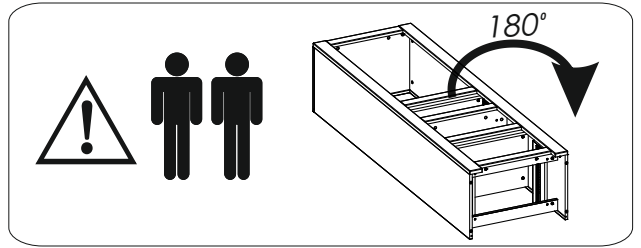
20 ▶



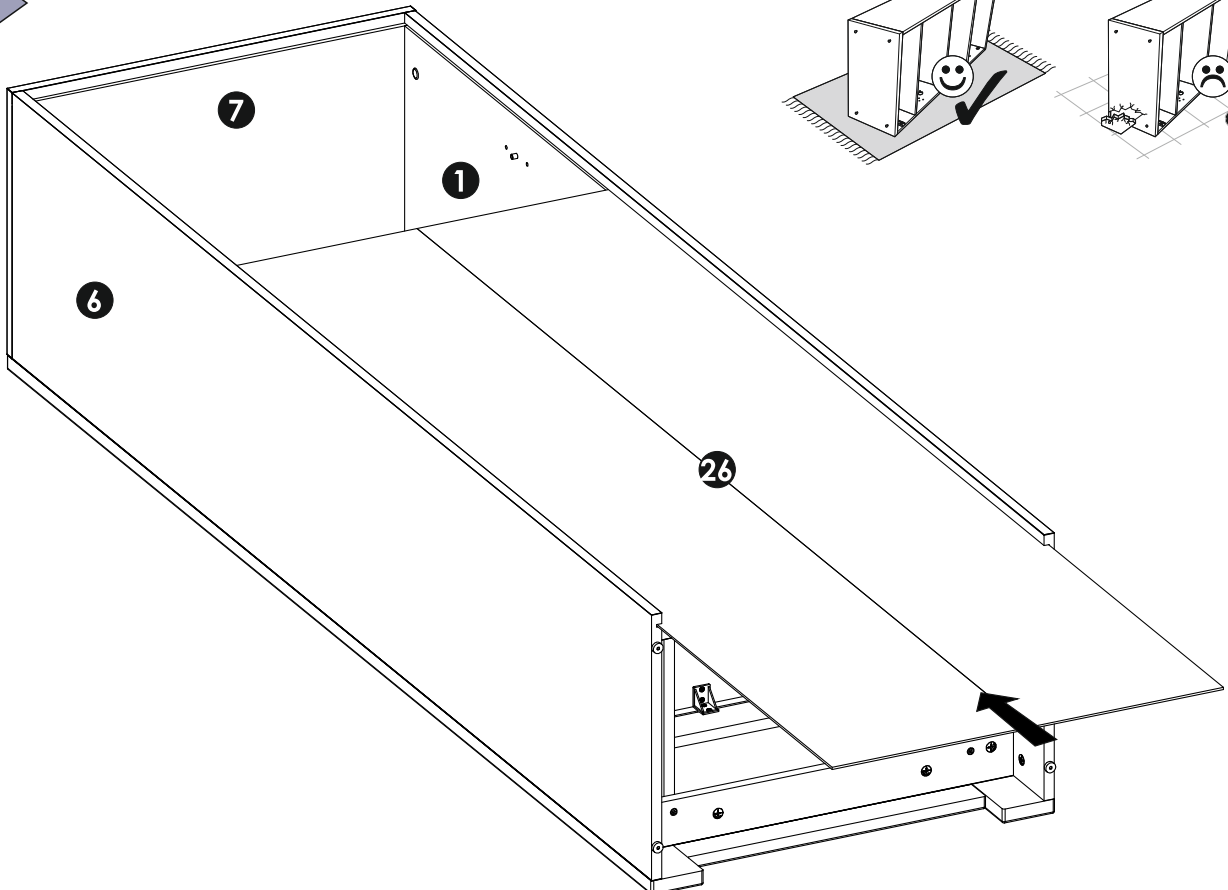
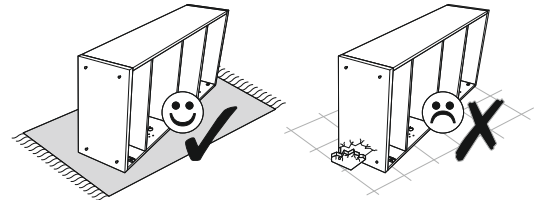
21 ▶

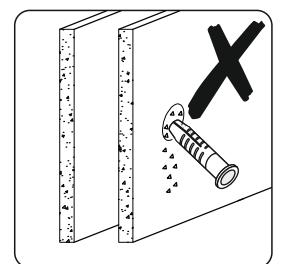
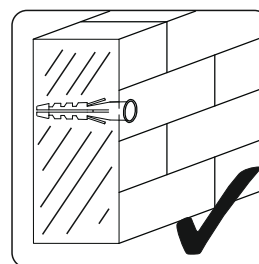
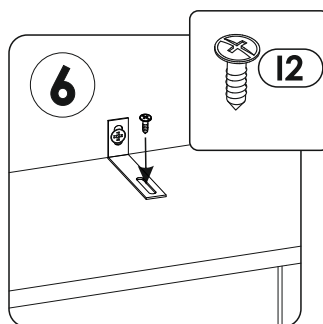
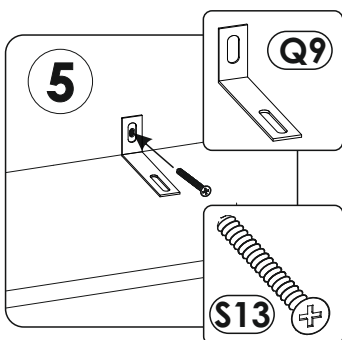
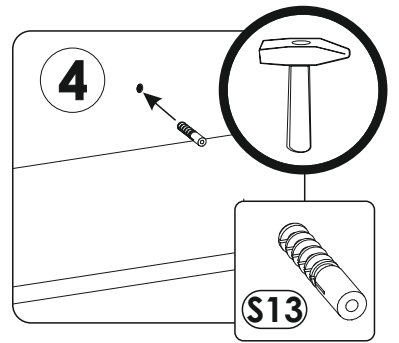
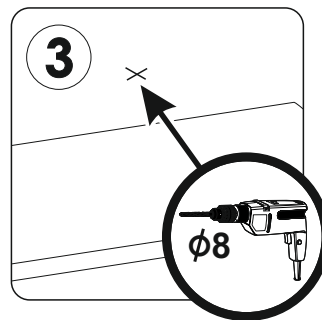
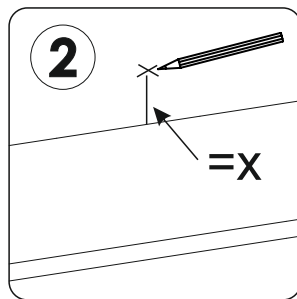
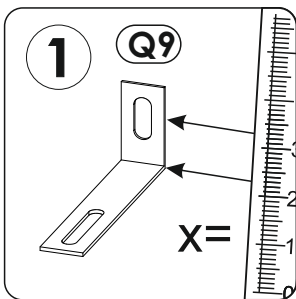
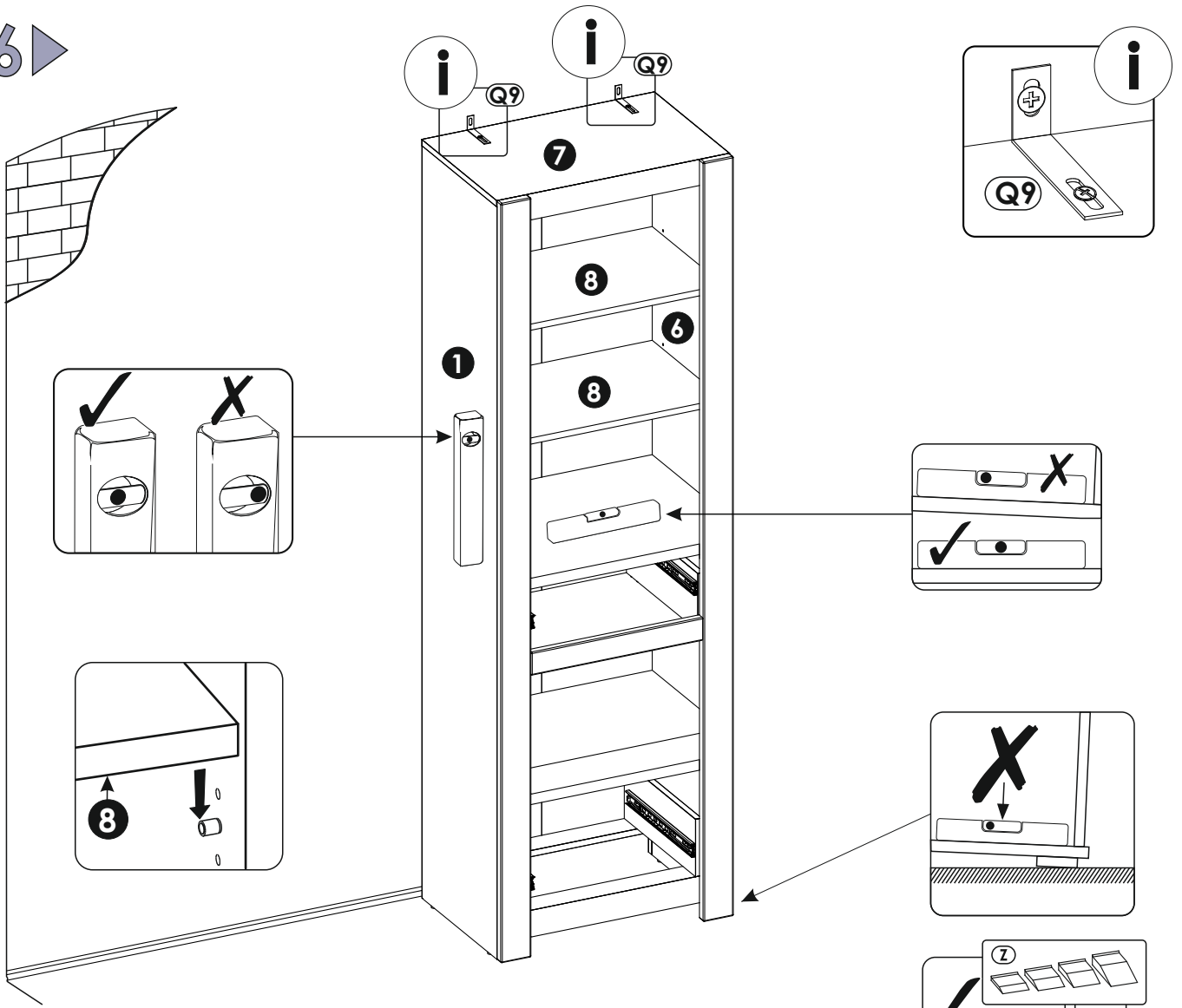


22 ▶

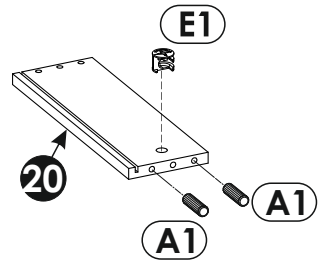
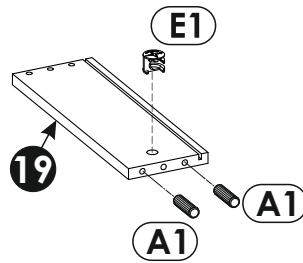
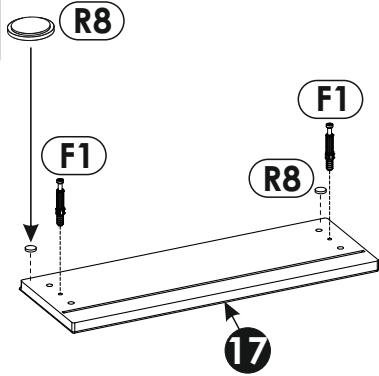
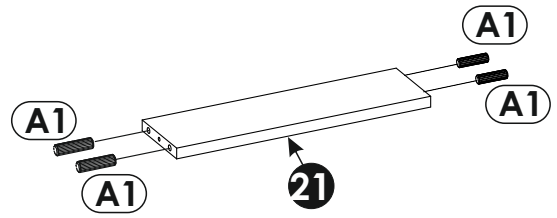
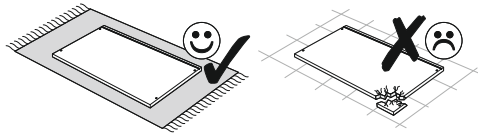


23 ▶

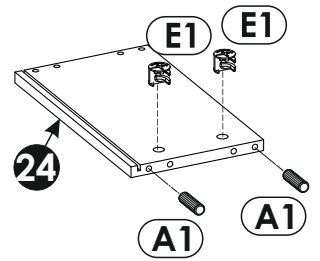
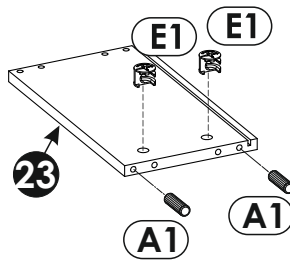
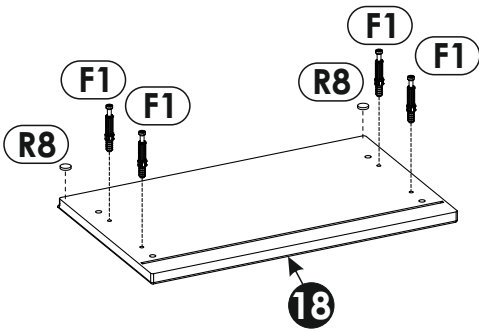
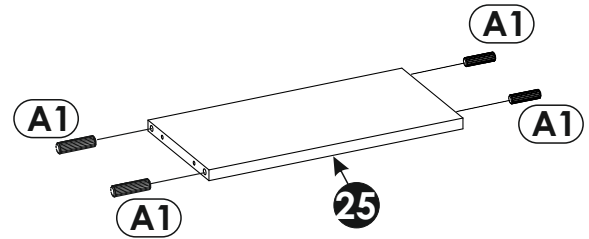
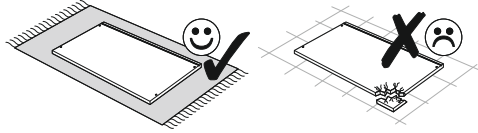




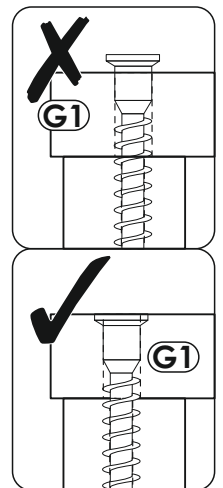
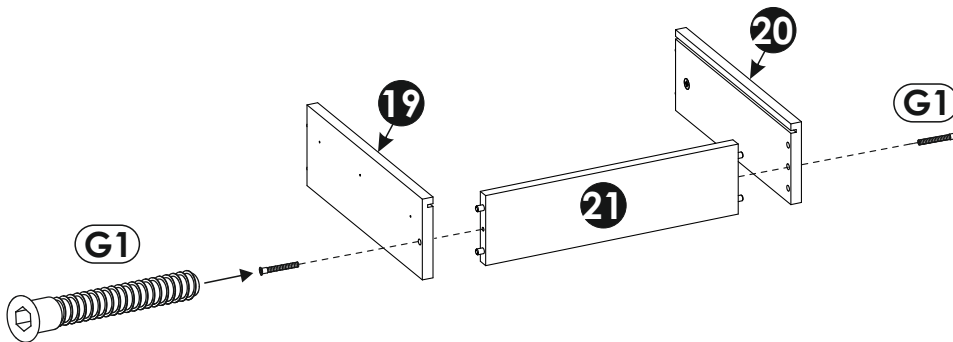
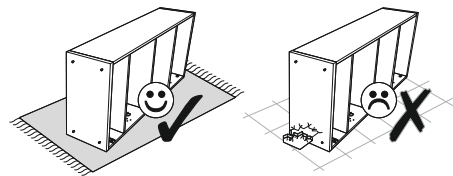
27▶

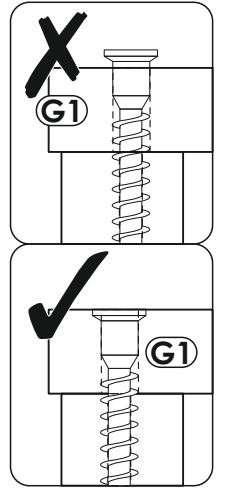
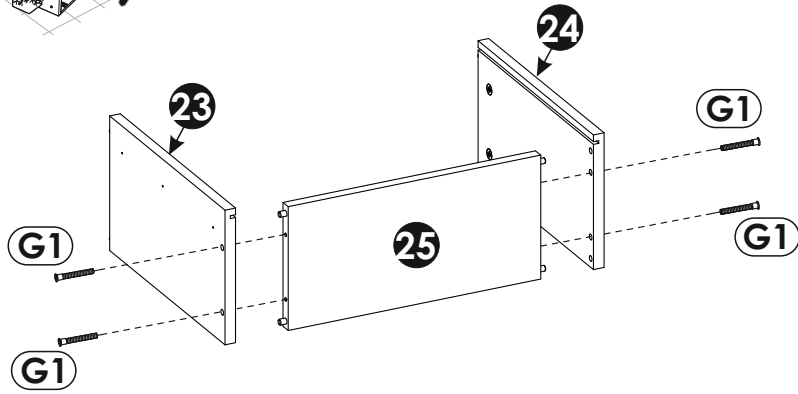
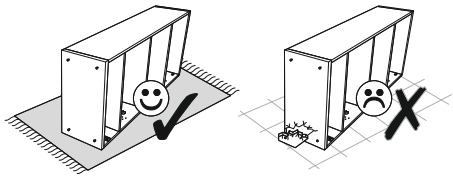


28▶

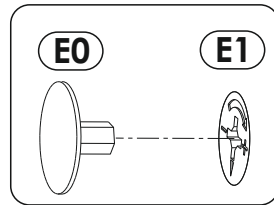
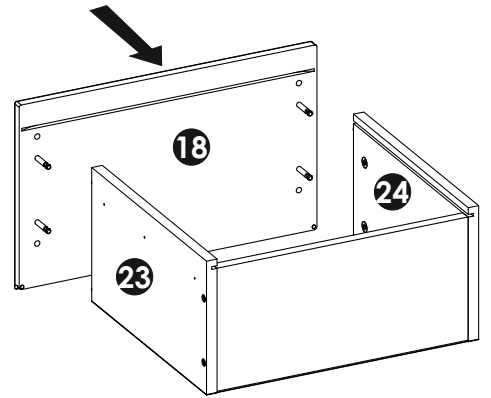
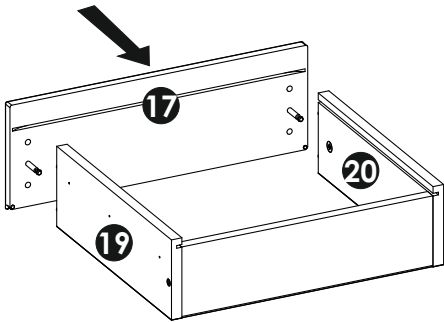
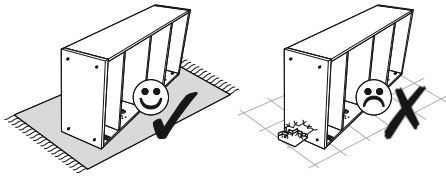


29▶

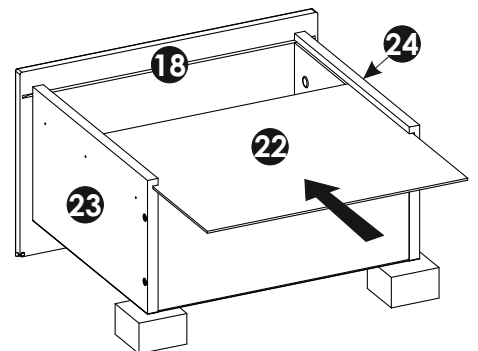
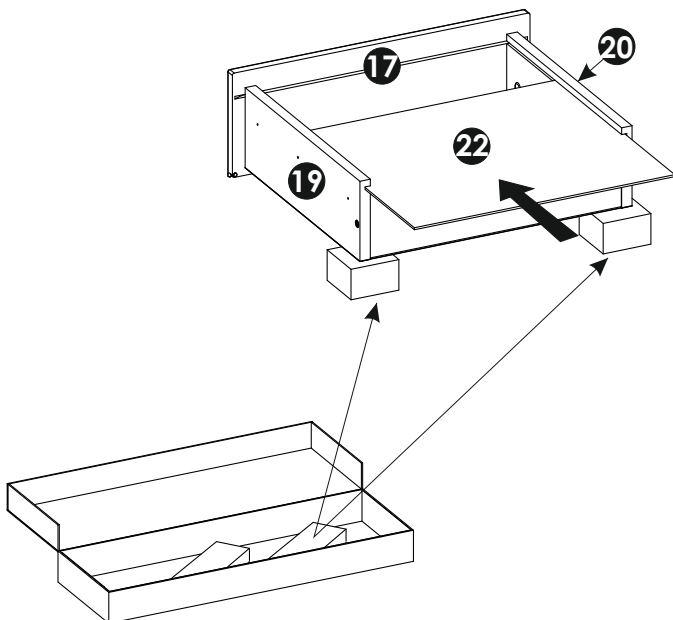
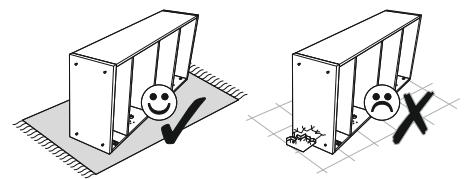




30 ▶

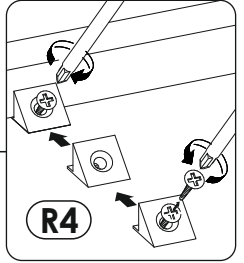
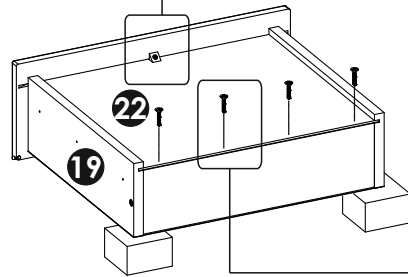
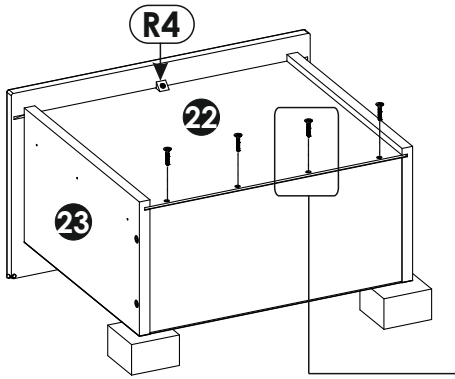
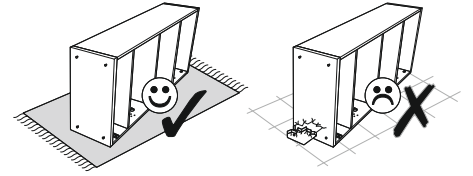
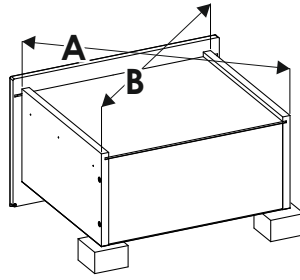
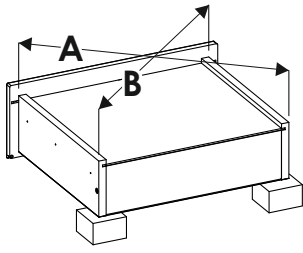


31 ▶



32 ▶

A=B



33 ▶

