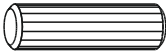
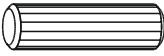
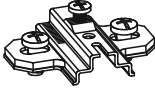
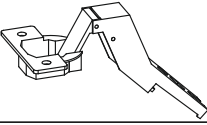

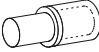
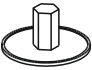





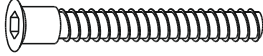
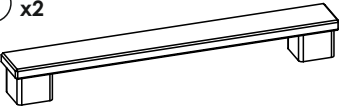
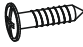
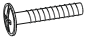

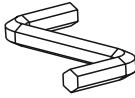


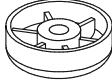
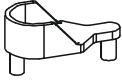


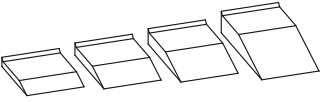

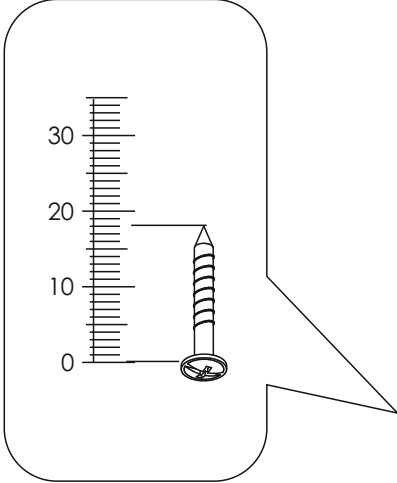
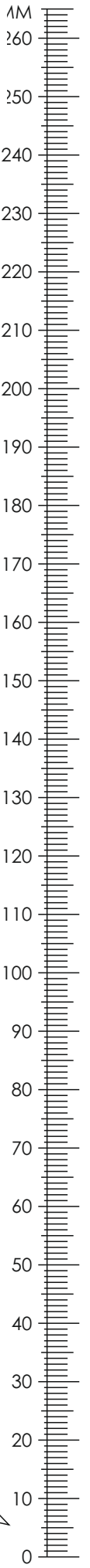
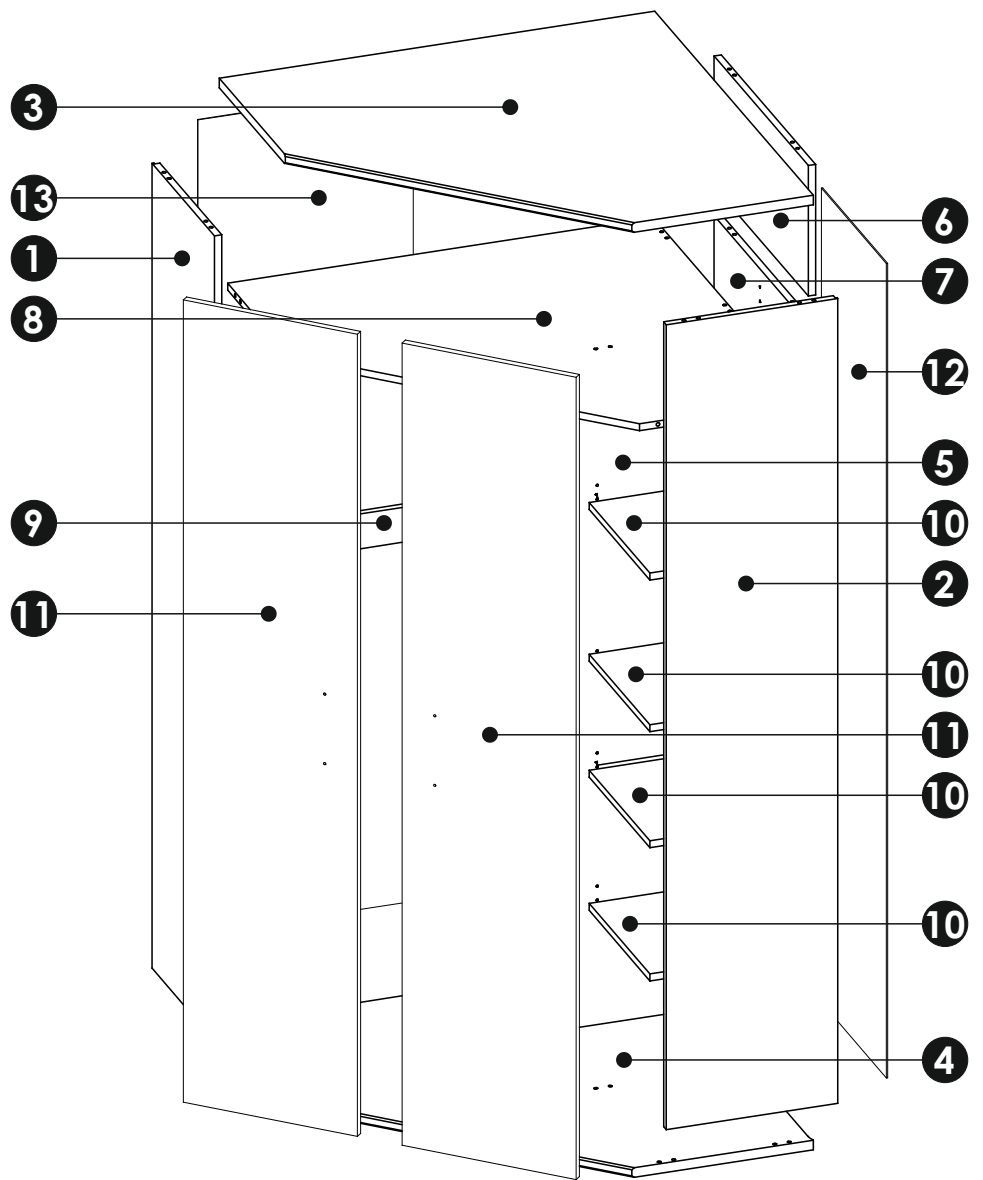
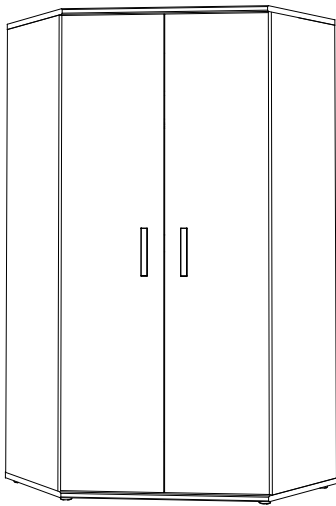


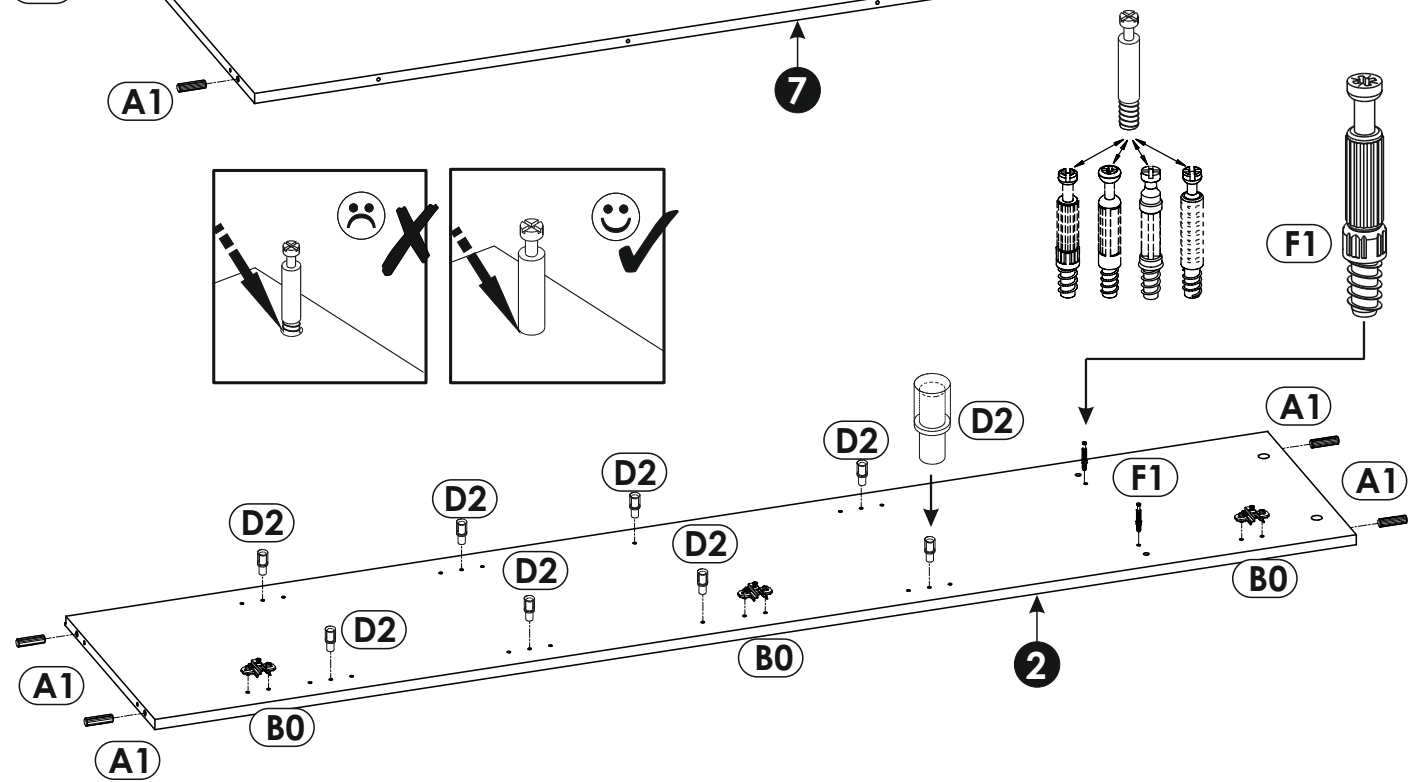
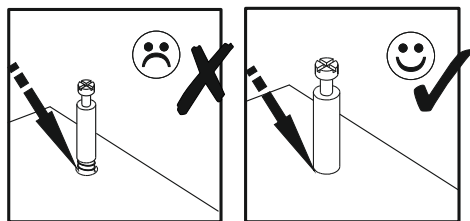
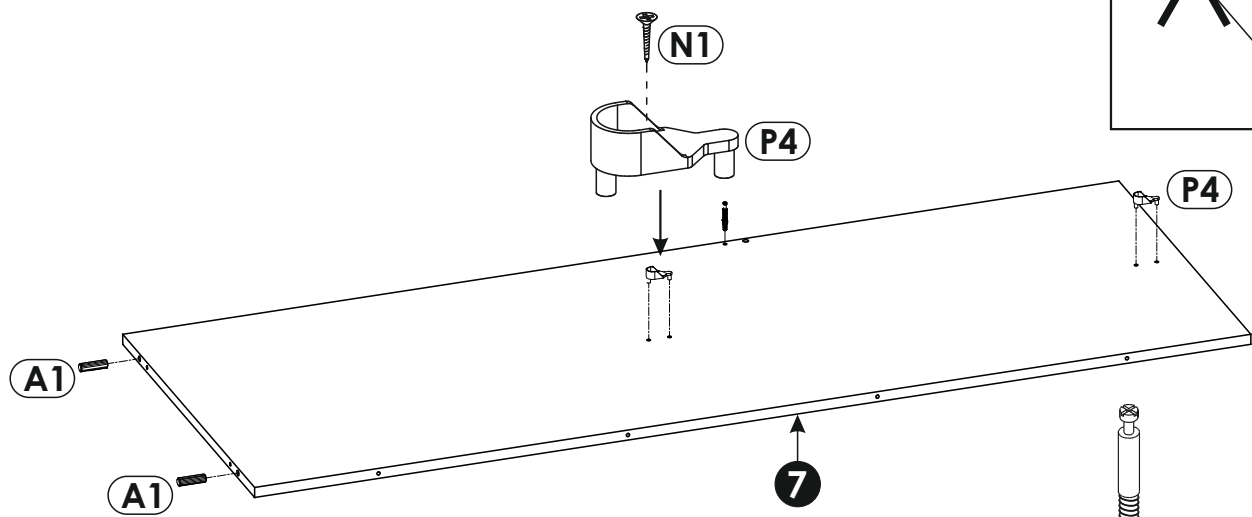
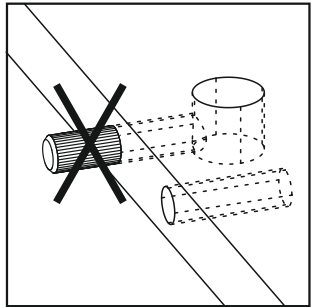
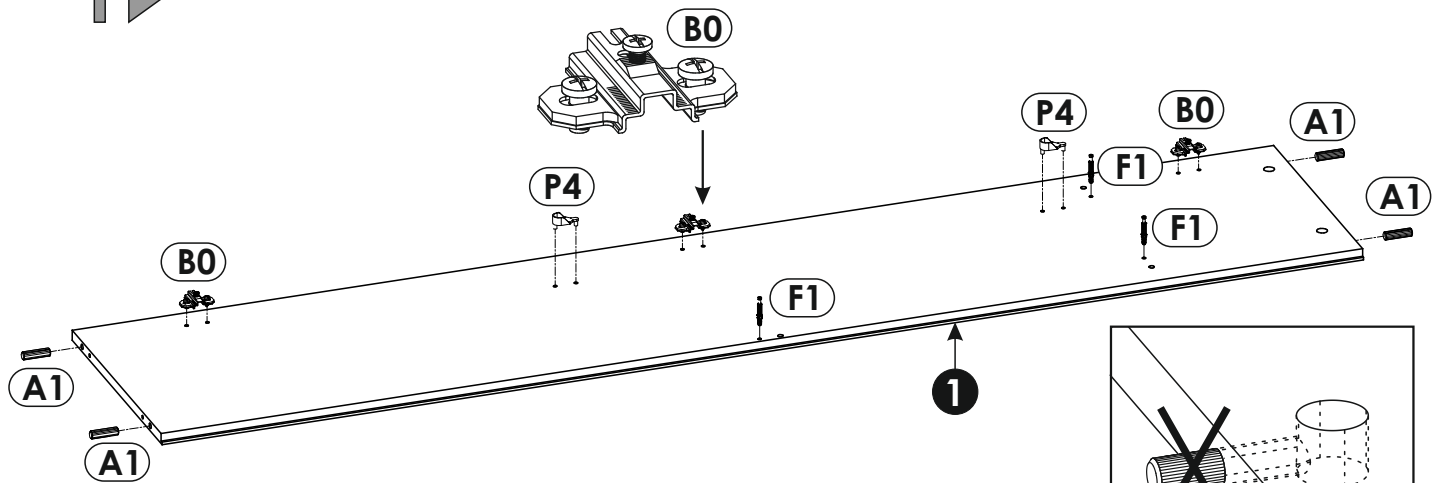
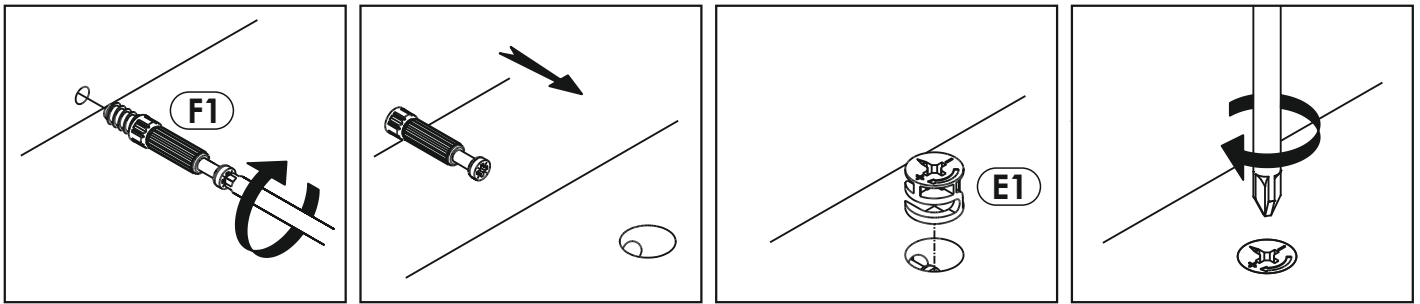
A1 x22 $\varnothing 8 \times 35$ mm 	A3 x2 $\varnothing 8 \times 60$ mm 	B0 x6 
B5 x6 	C1 x12 EURO 4 x 13 mm 	D2 x18 
E0 x16 	E1 x16 	F1 x12 
F5 x2 	G0 x14 	G1 x6 $\varnothing 7 \times 50$ mm 
G2 x8 $\varnothing 7 \times 60$ mm 	H1 x2 	I2 x2 4 x 16 mm 
K3 x4 M4 x 22 mm 	I10 x8 3,5 x 22 mm 	M x1 
N1 x90 3 x 16 mm 	N2 x4 3,5 x 16 mm 	O1 x8 s 
P4 x4 	Q9 x2 	R8 x2 
Z x1 	Z1 x2 L-918 	



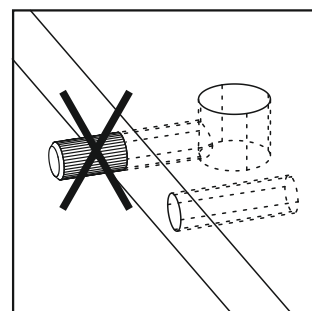
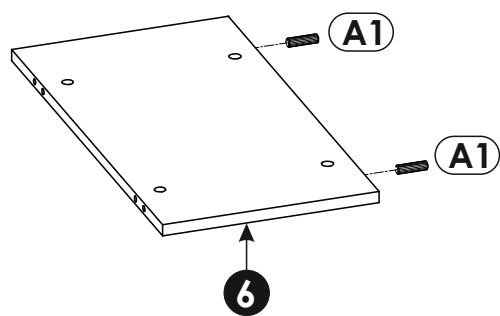
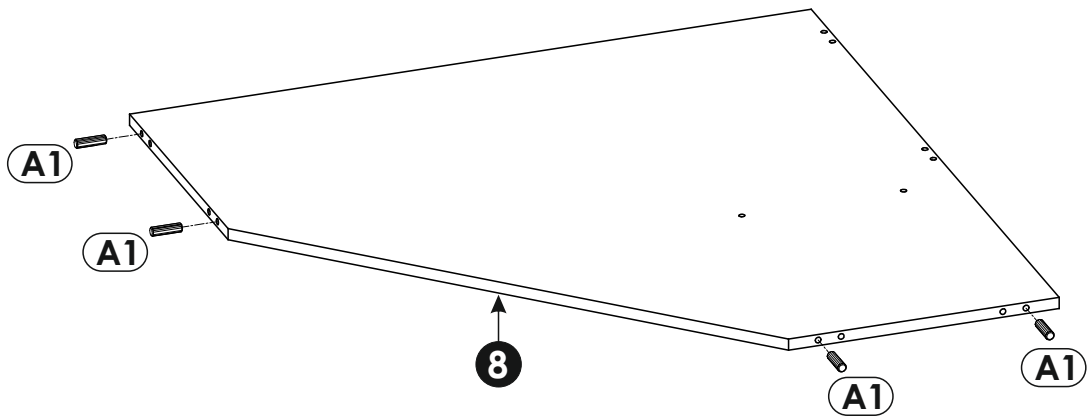
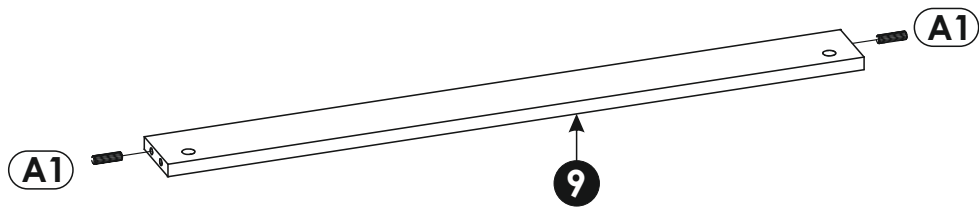
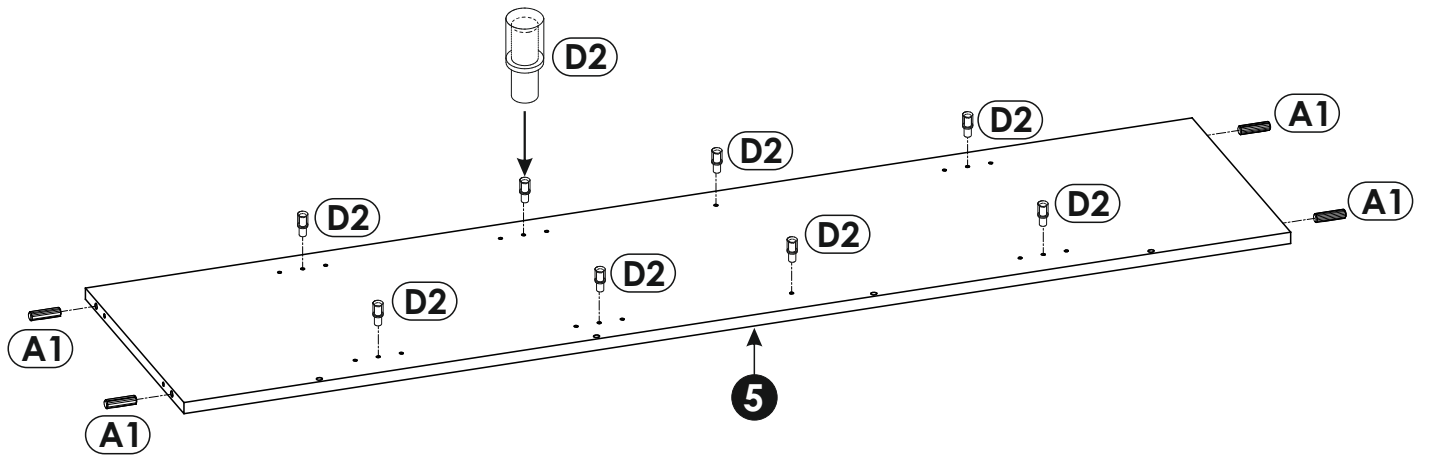


1	1849	380	16	x1	1/4
2	1849	380	16	x1	1/4
3	965	965	22	x1	4/4
4	965	965	22	x1	4/4
5	1533	375	16	x1	2/4
6	574	300	16	x1	1/4

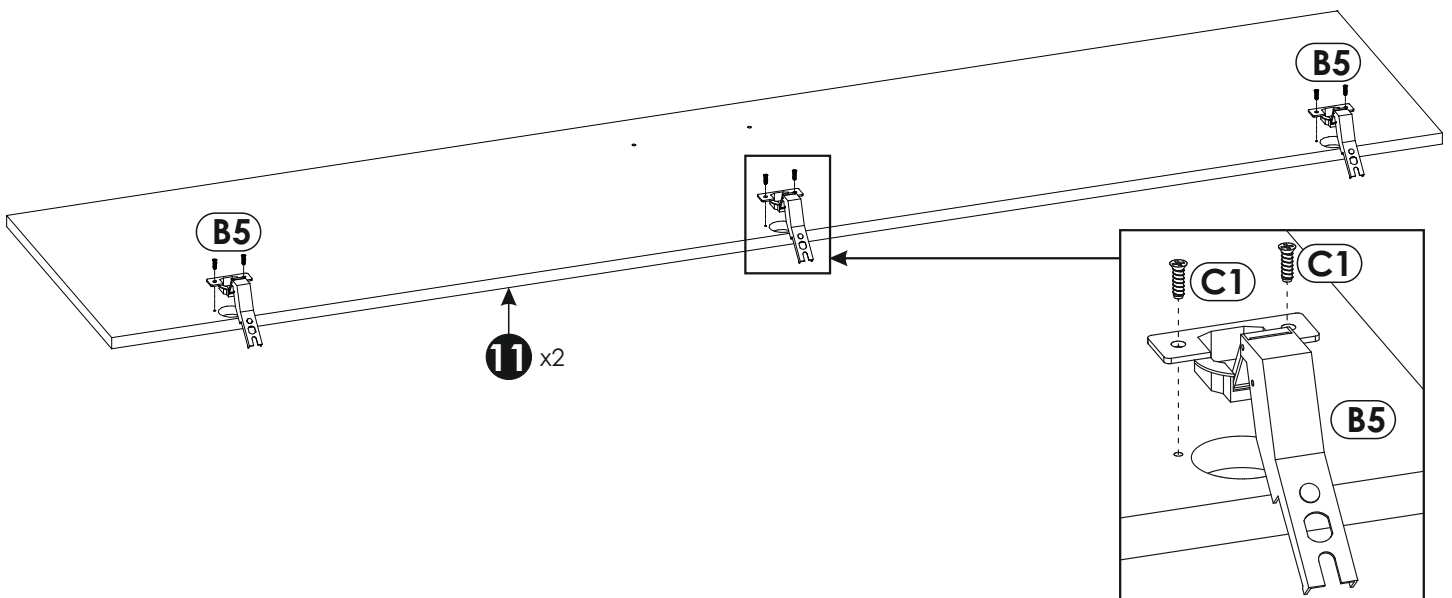
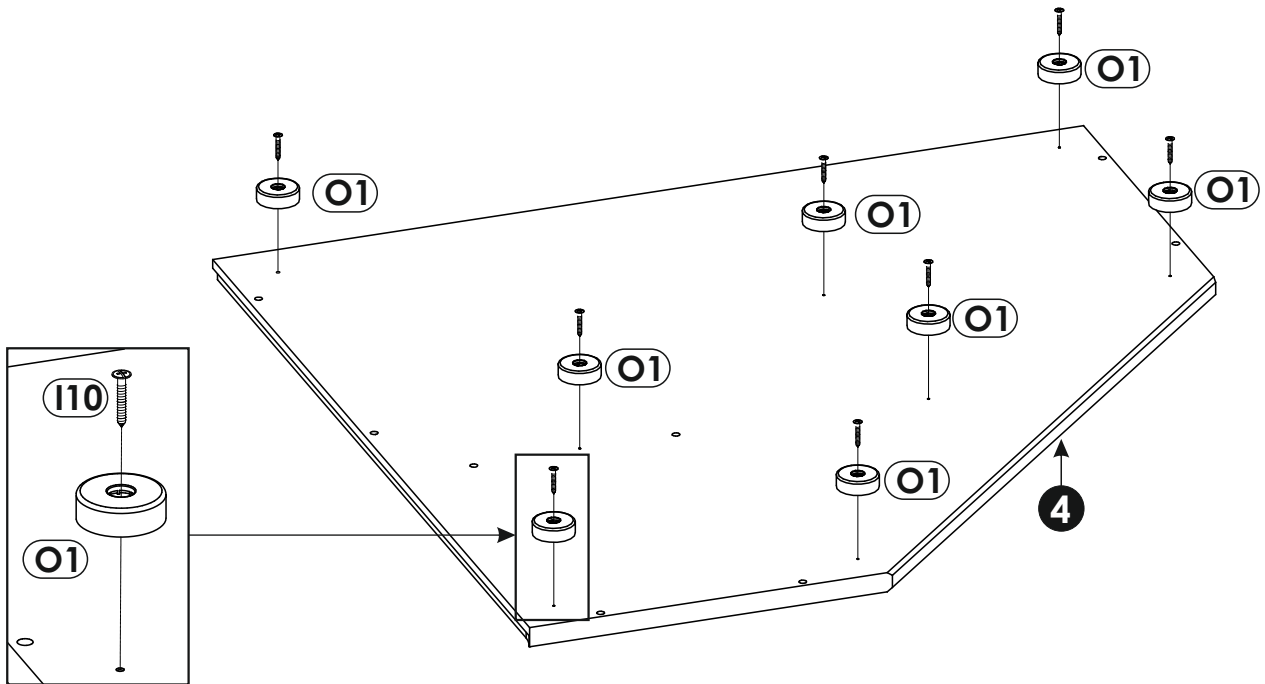
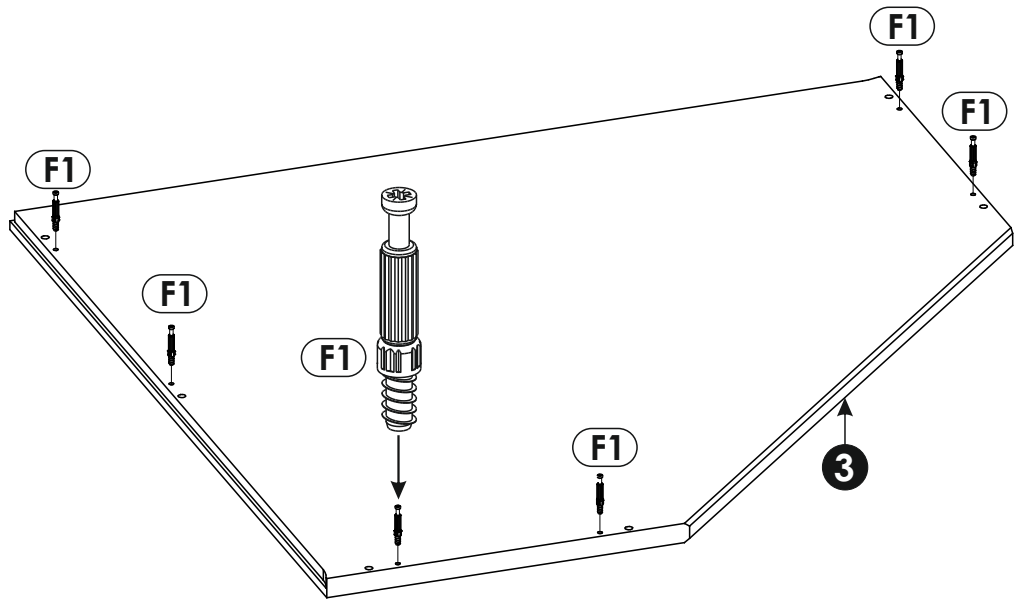
7	1533	558	16	x1	2/4
8	944	944	16	x1	4/4
9	928	80	16	x1	2/4
10	370	370	16	x4	1/4
11	1843	400	16	x2	3/4
12	1871	396	3	x1	3/4
13	1871	954	3	x1	2/4



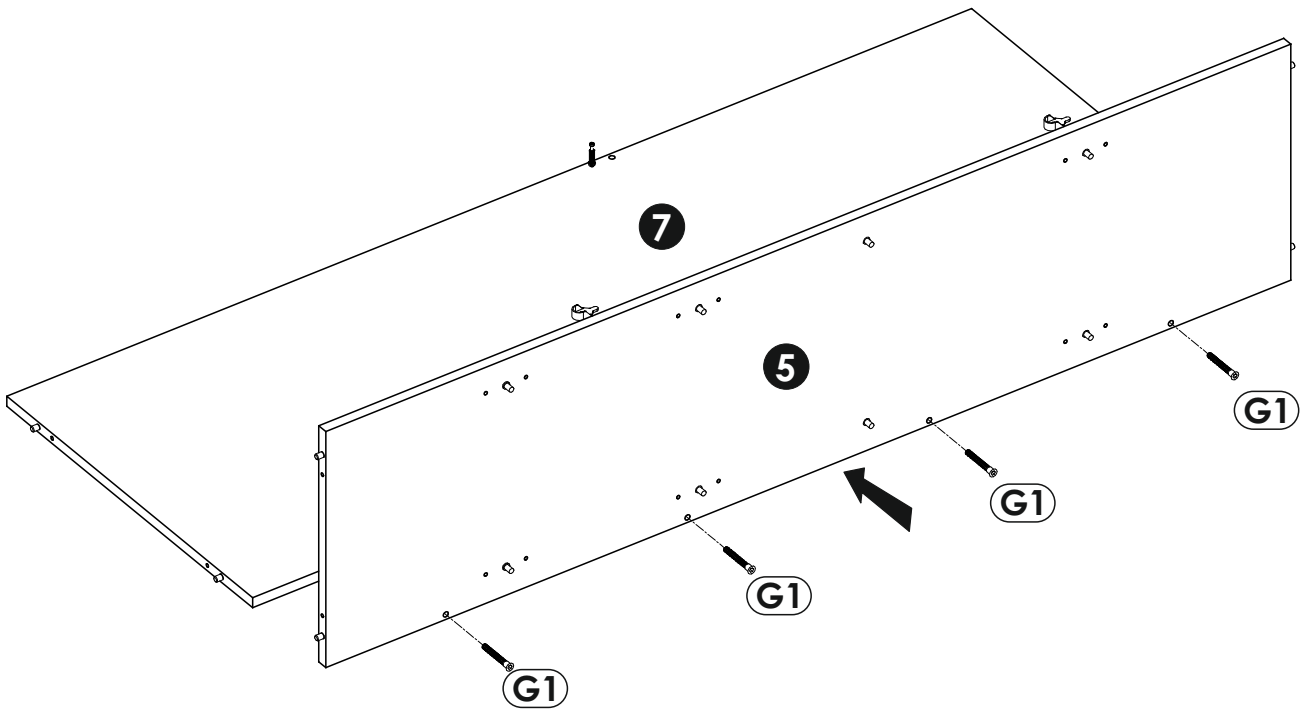
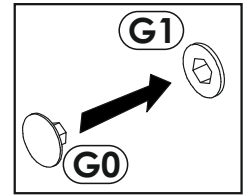
2 ▶



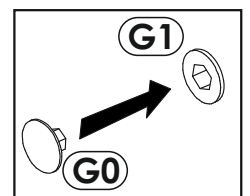
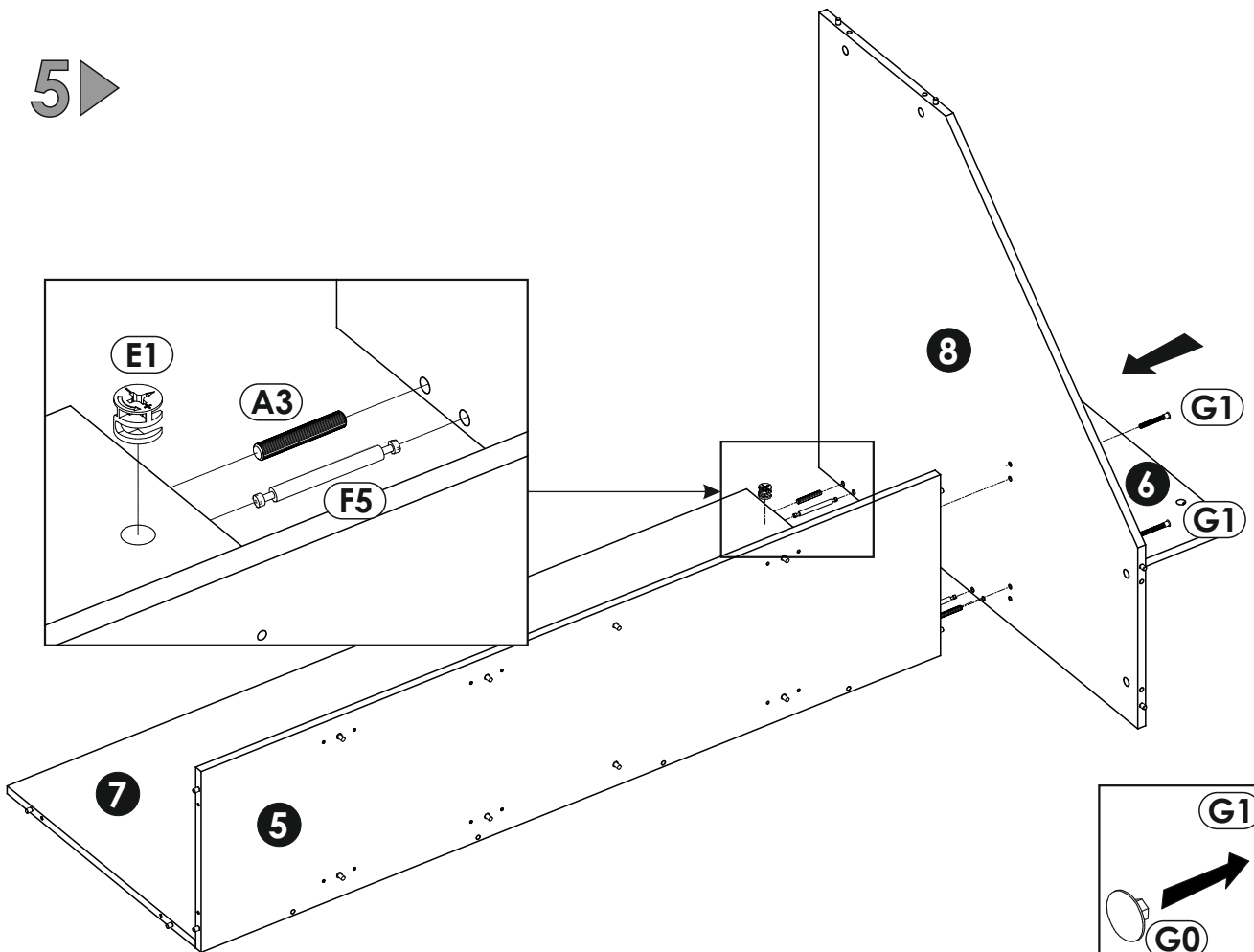
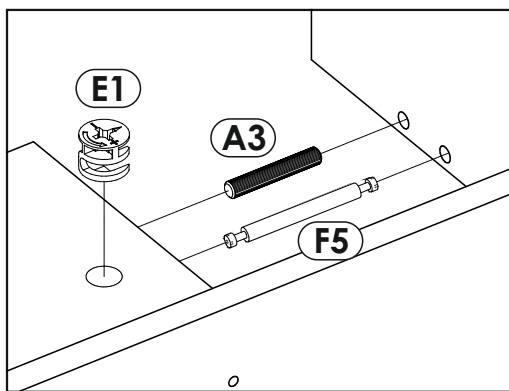
3 ▶



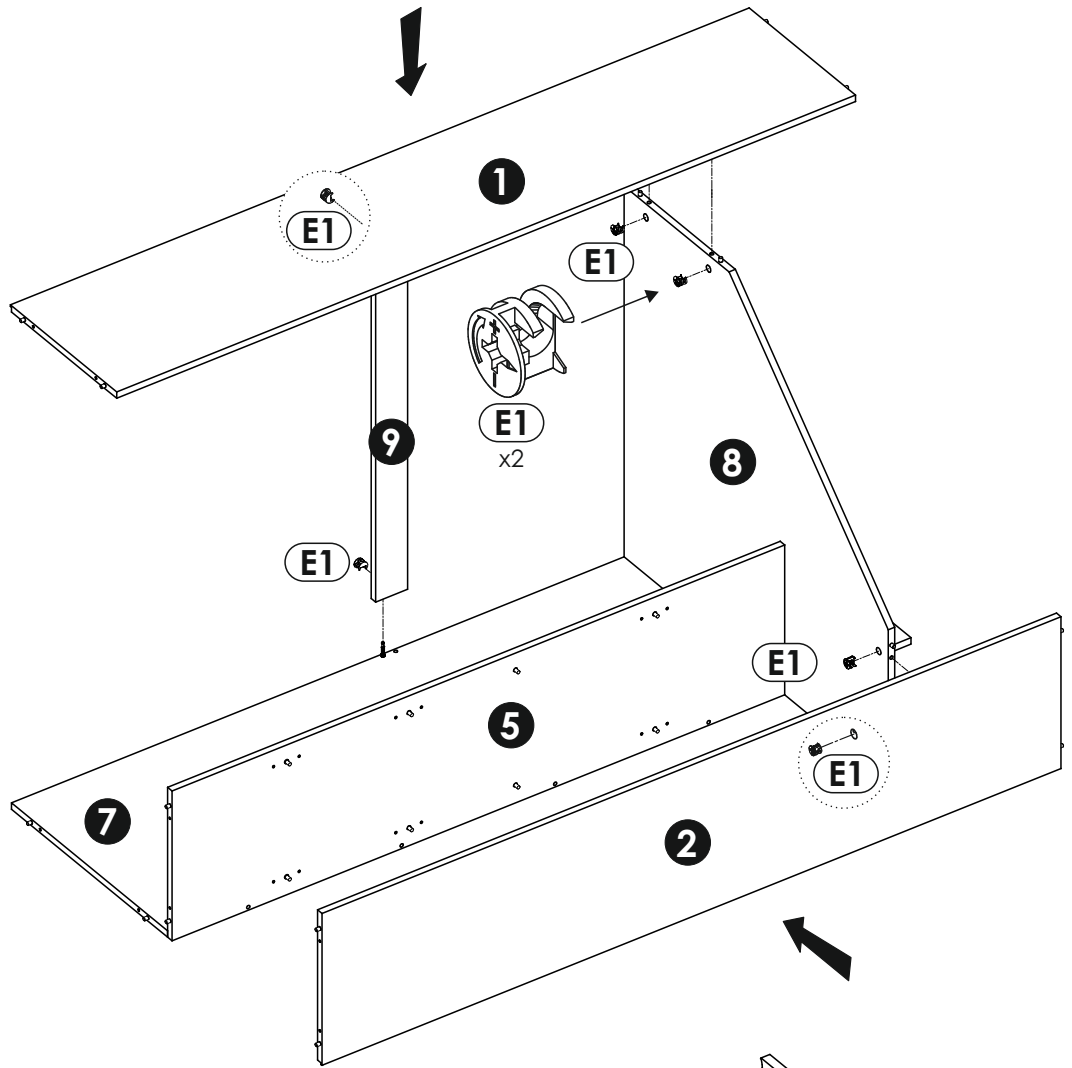
4 ▶



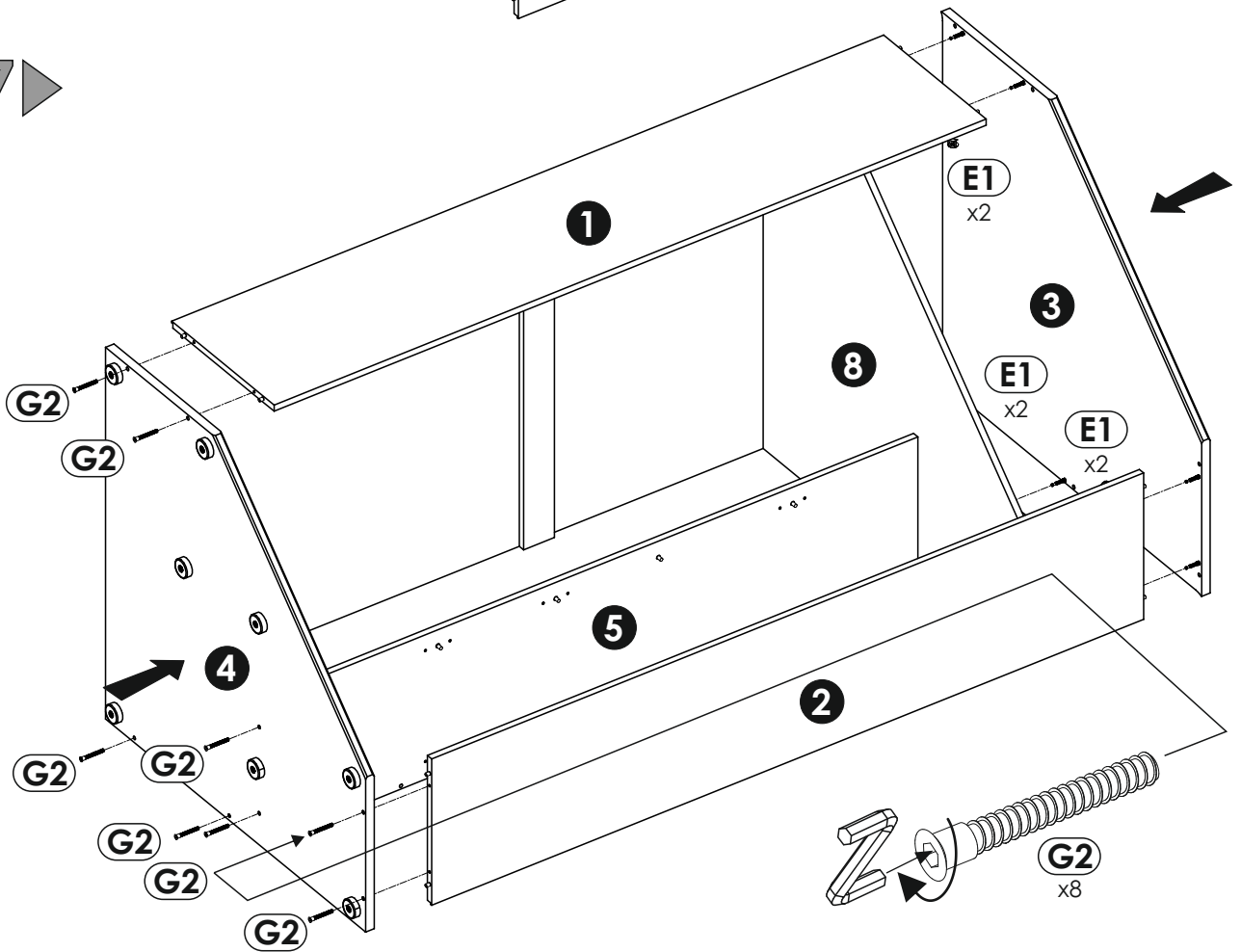
5 ▶



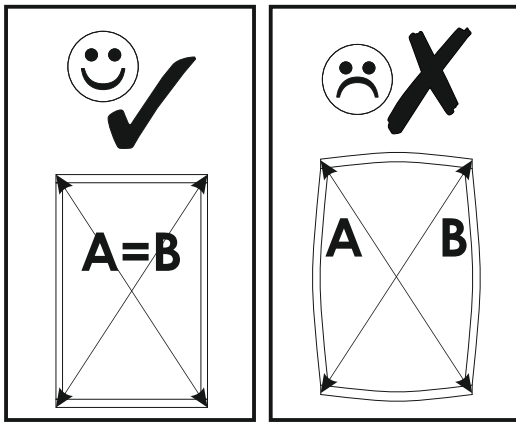
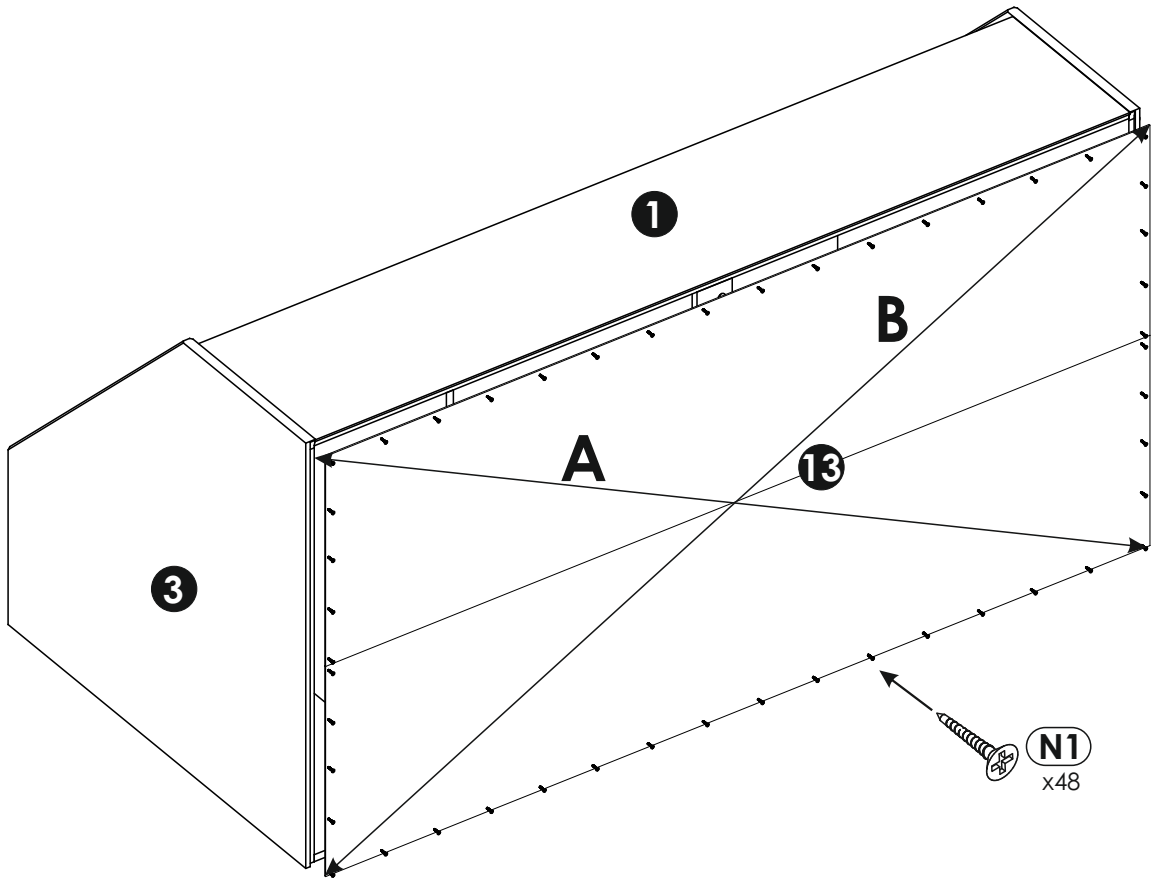
6 ▶



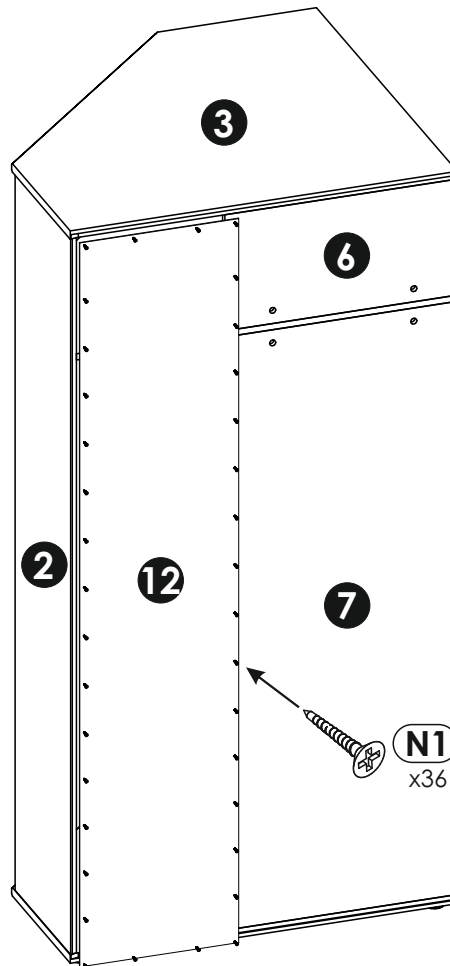
7 ▶



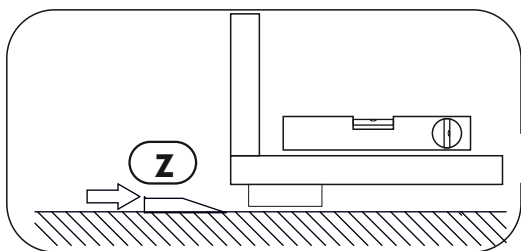
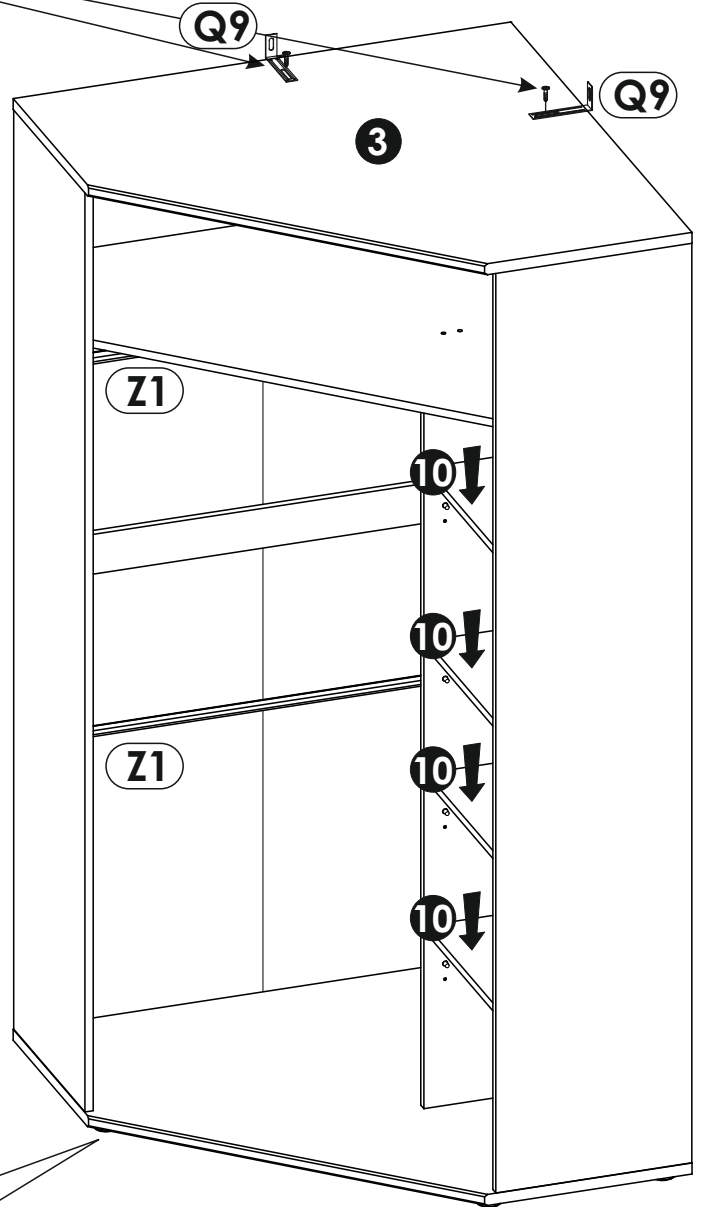
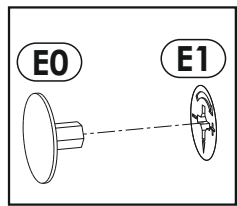
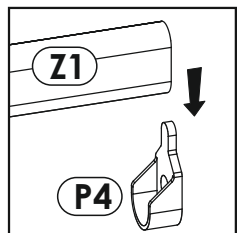
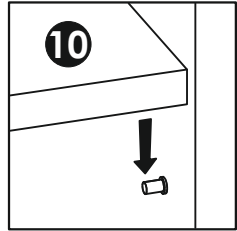
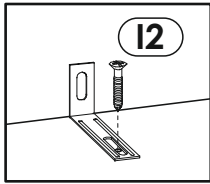
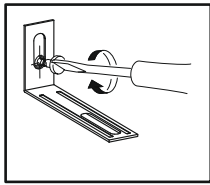
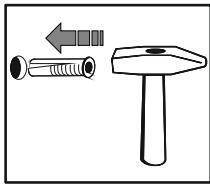
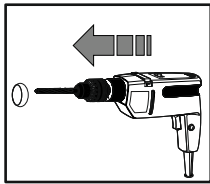
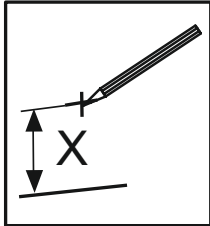
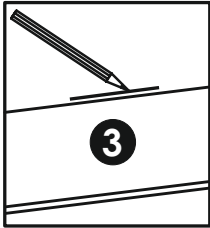
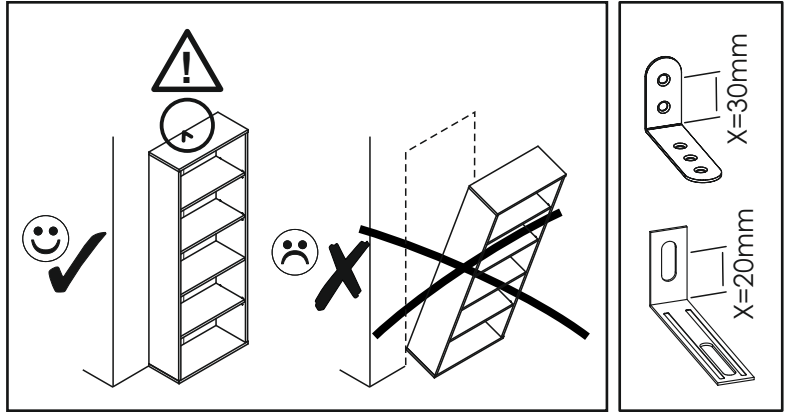
8 ▶



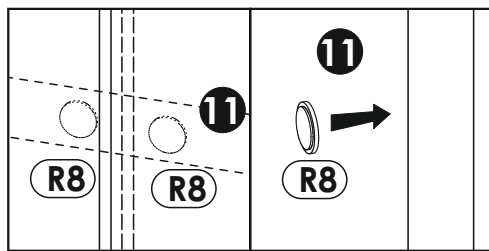
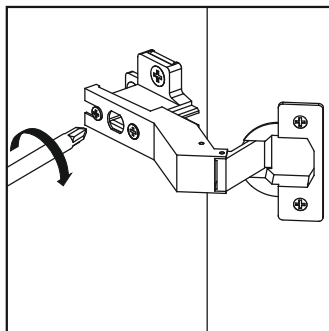
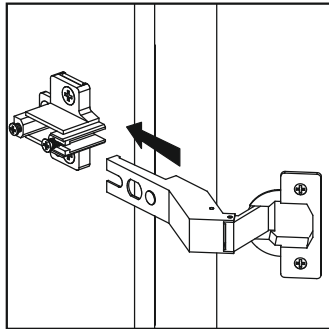
9 ▶



10 ▶



11 ▶



H1

T1

I4

I4

I4

I4

D2

D2

T1

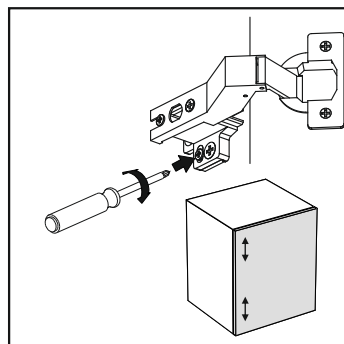
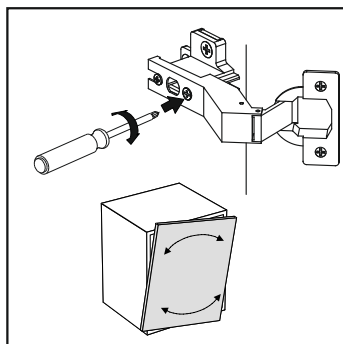
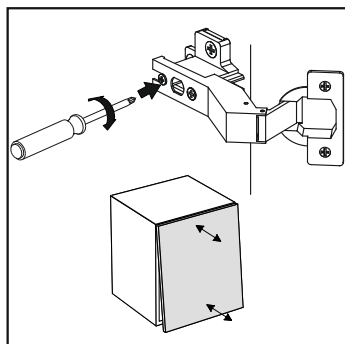
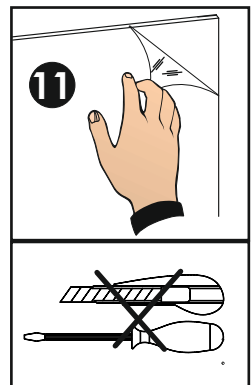
H1

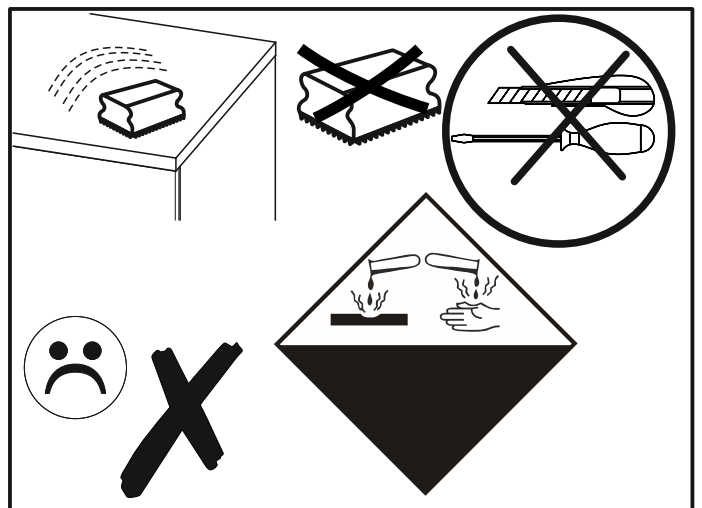
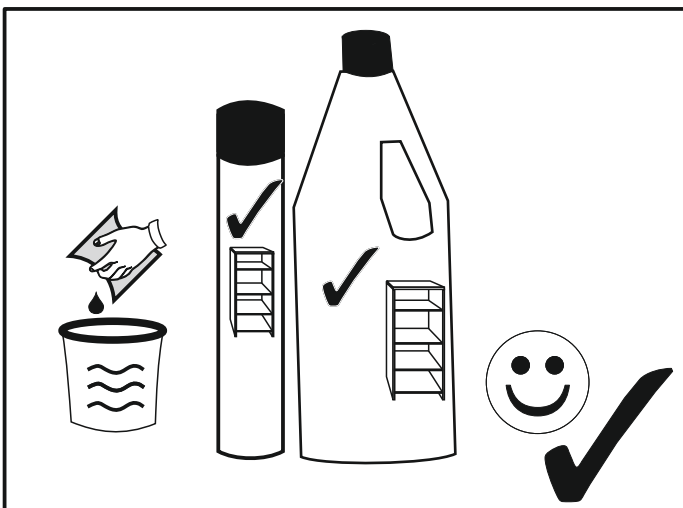
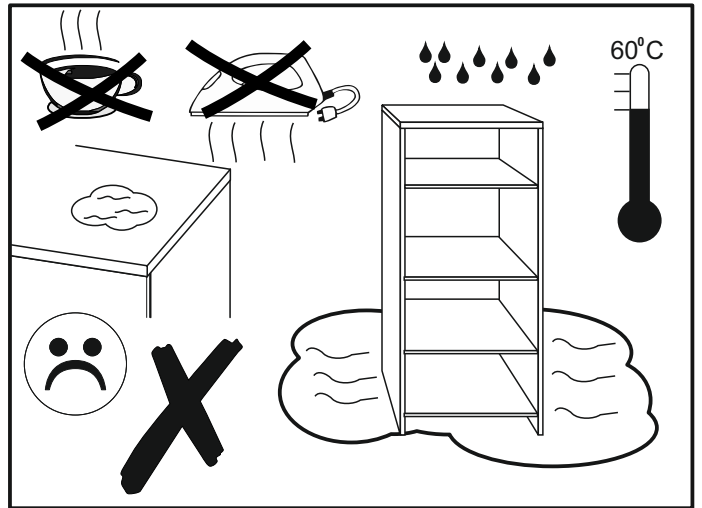
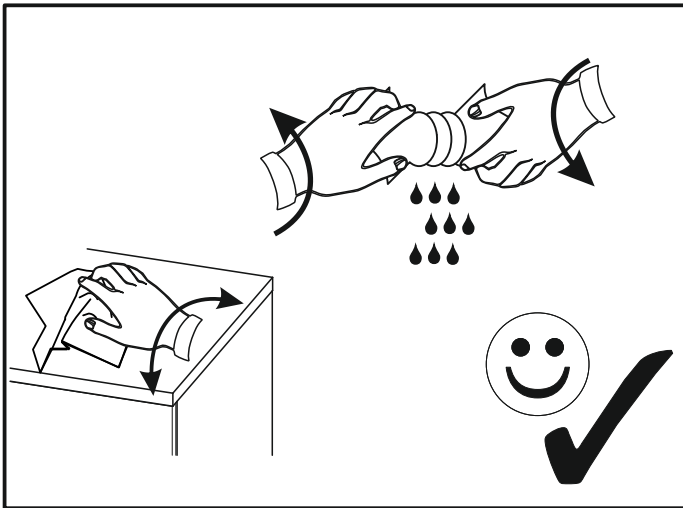
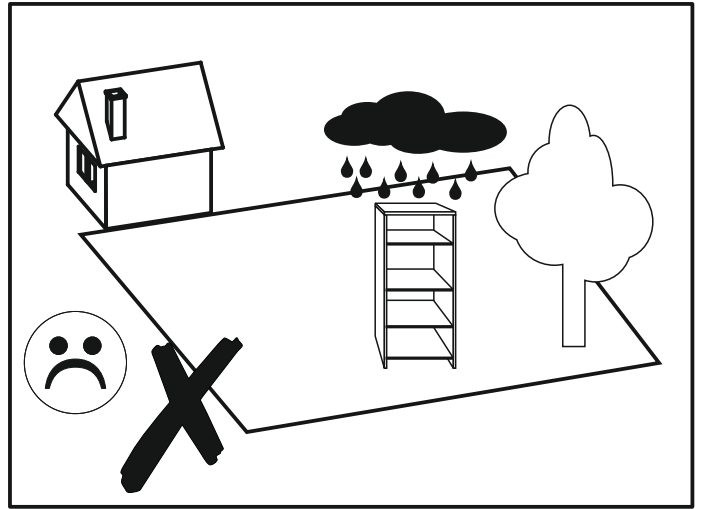
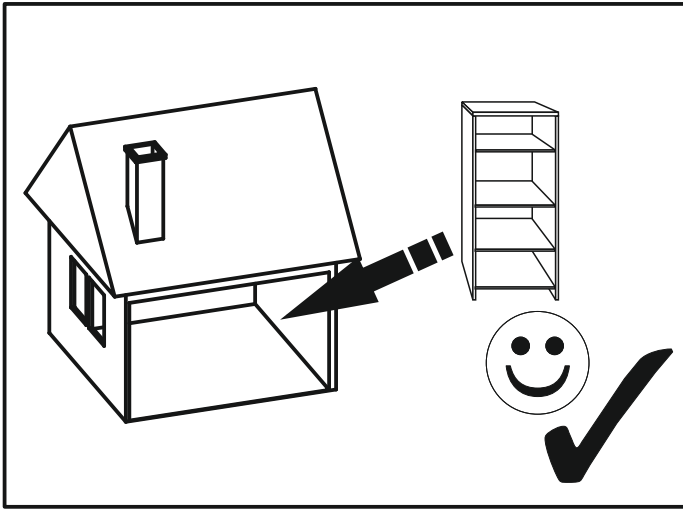
max.
30 kg

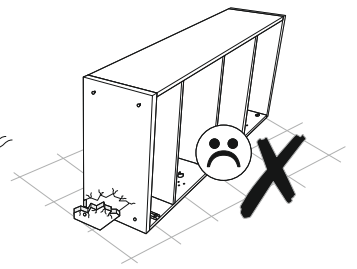
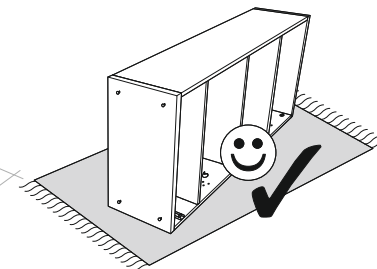
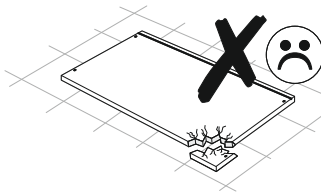
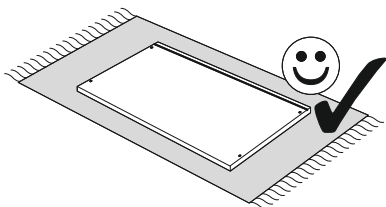
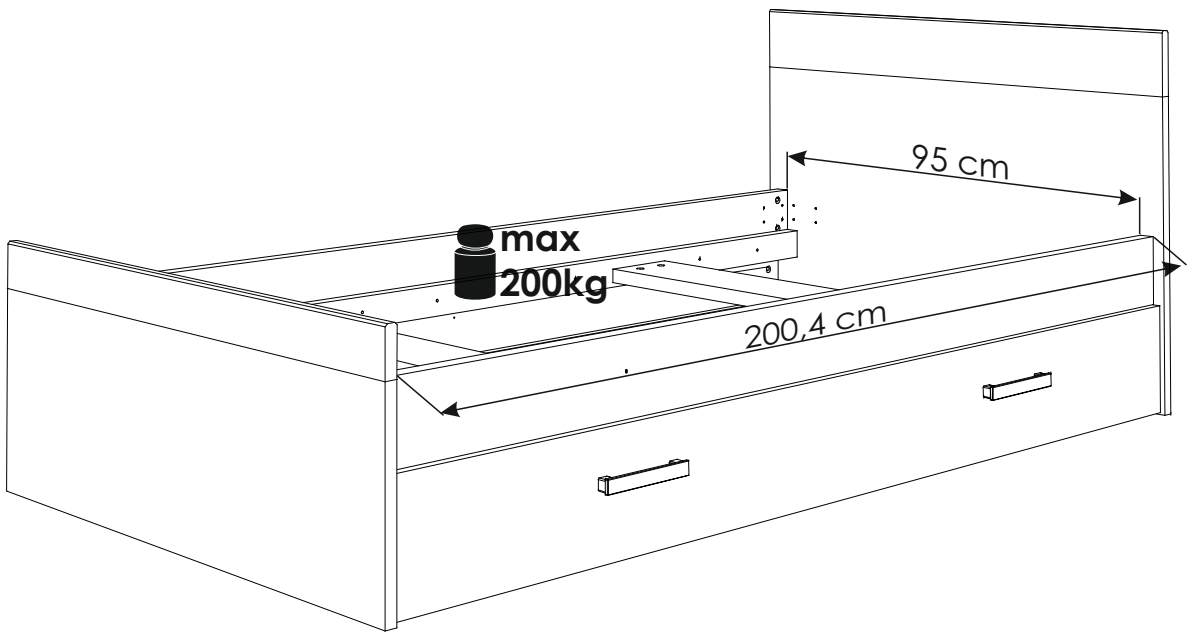
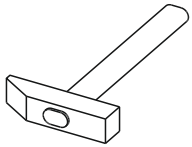
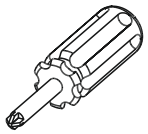
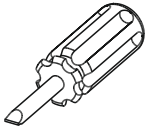
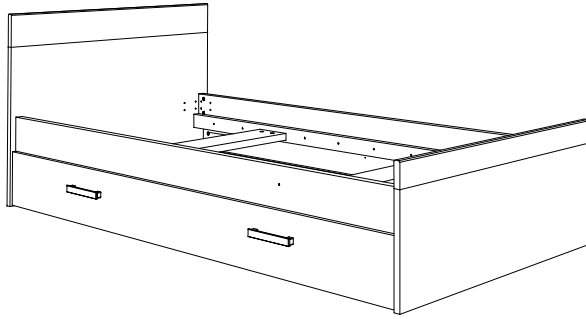
max.
7 kg

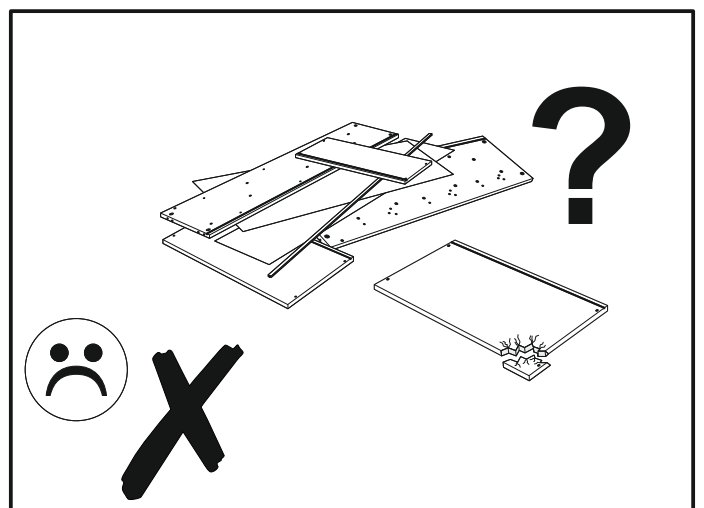
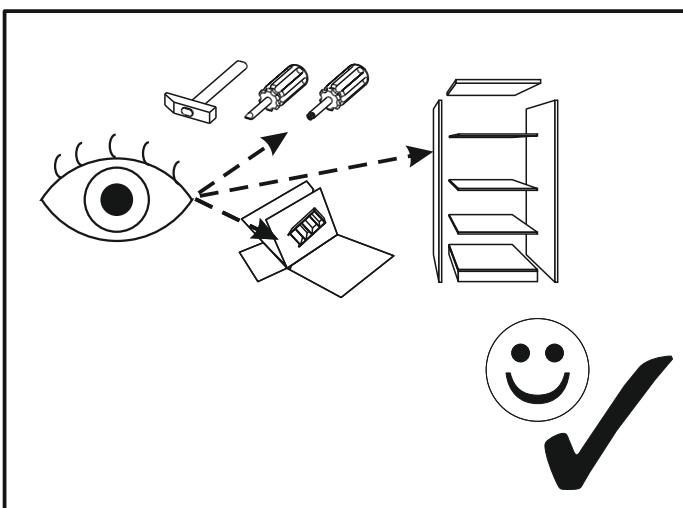
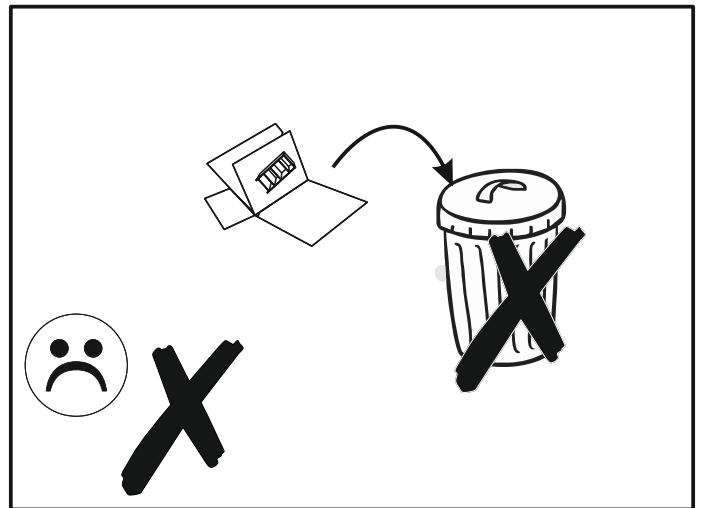
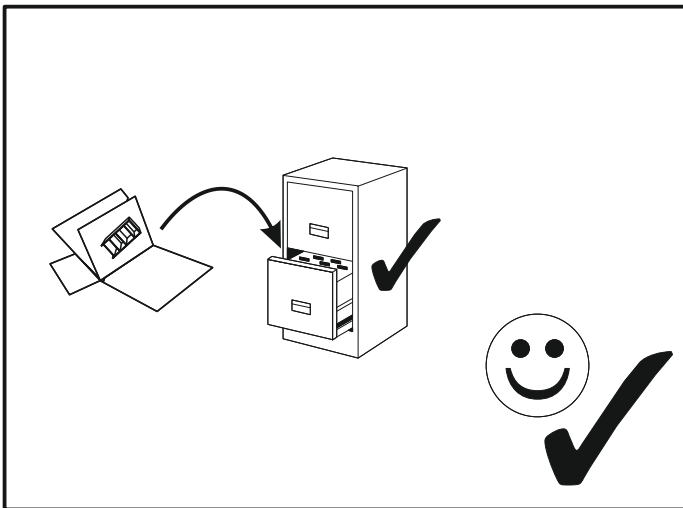
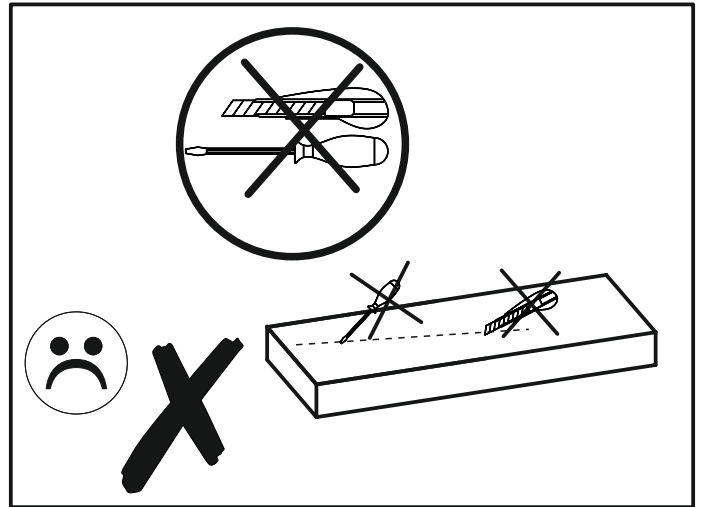
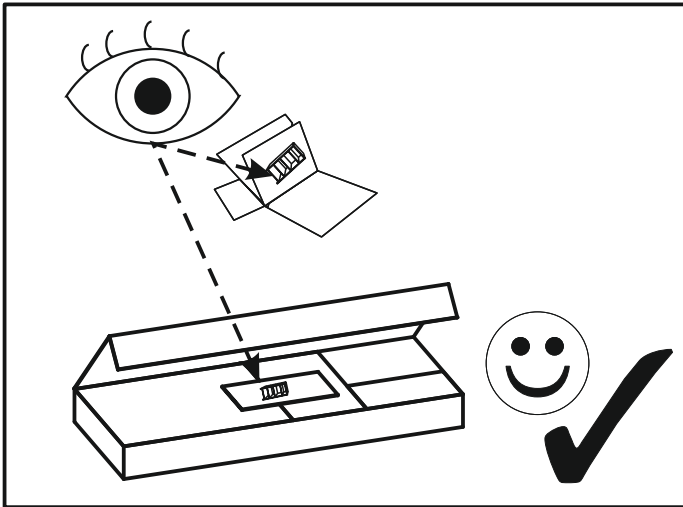
max.
18 kg



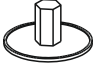








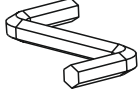

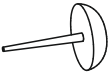
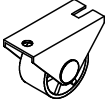


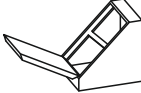
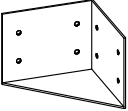
max.
18 kg

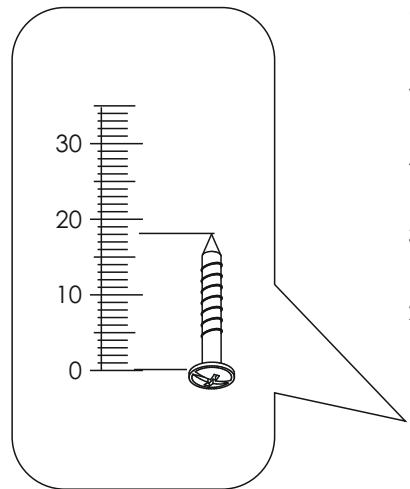
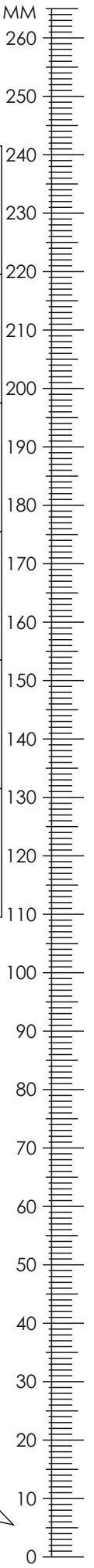


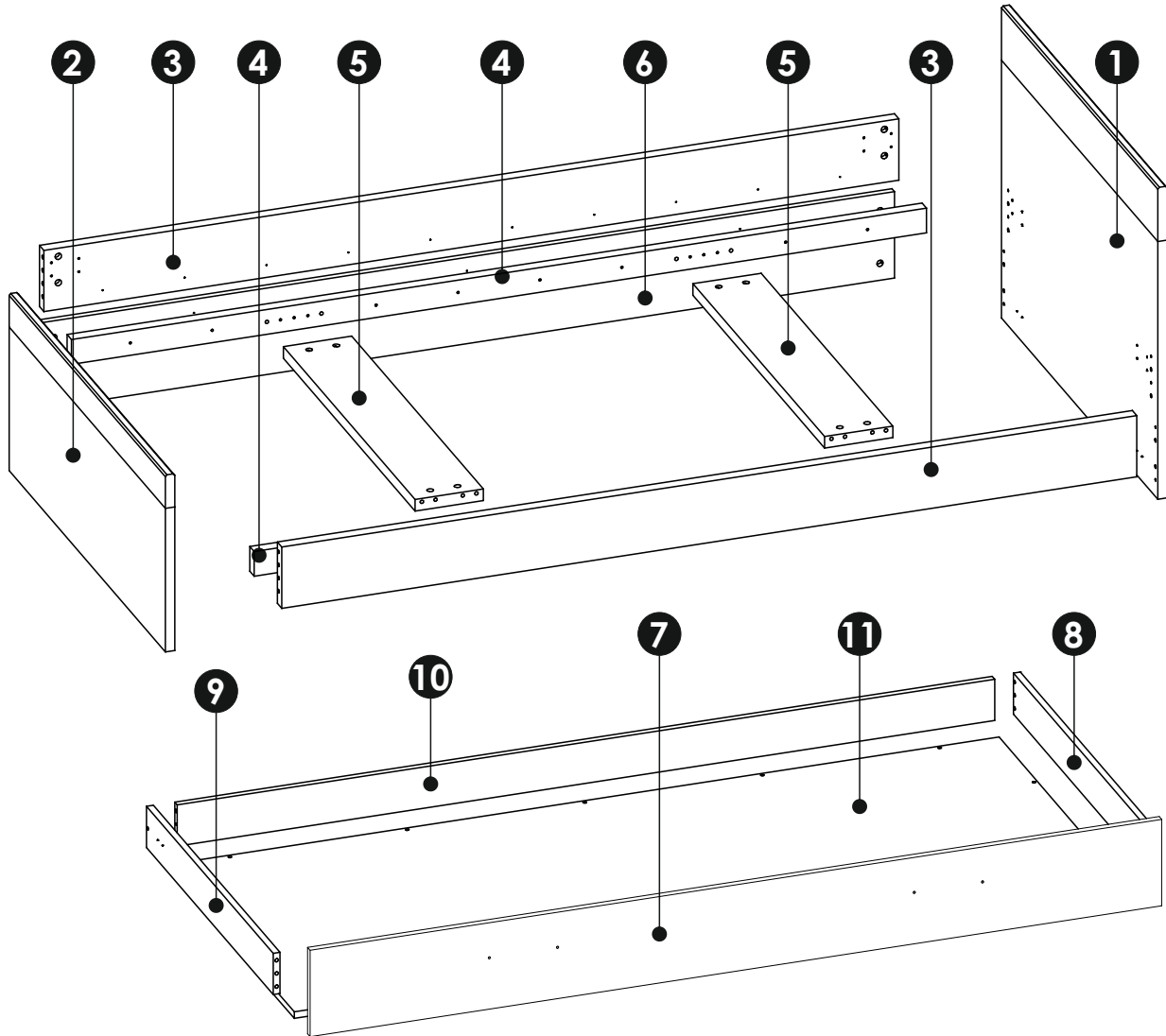
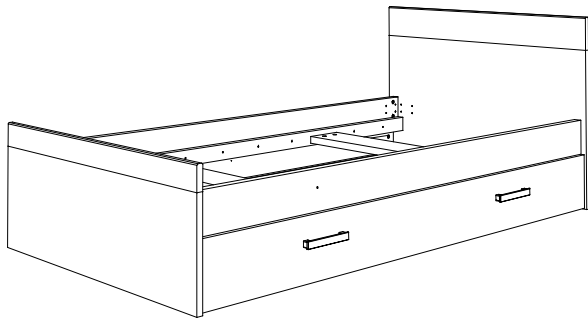






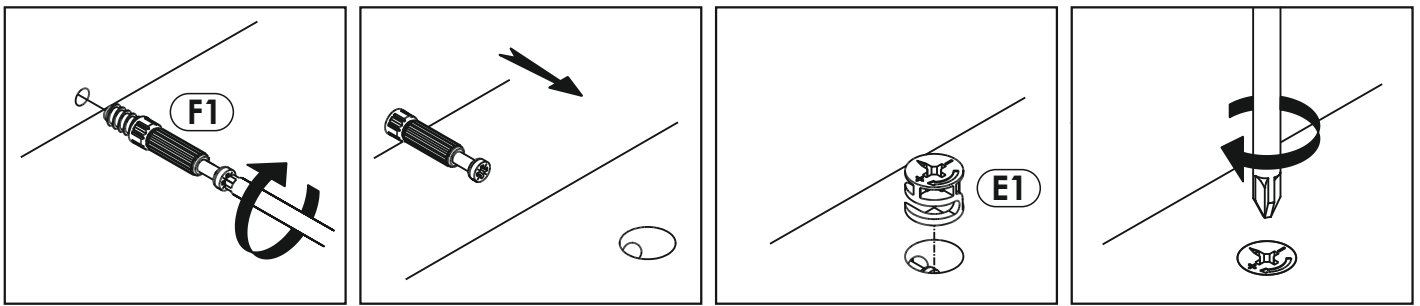
A1 x28 	C2 x32 	E0 x27 
E1 x27 	F1 x27 	G0 x11 
G1 x11 $\phi 7 \times 50$ mm 	H1 x2 	I6 x20 4 x 45 mm 
I17 x24 3 x 13 mm 	K3 x4 M4 x 22 mm 	M x1 
N2 x6 3,5 x 16 mm 	O2 x9 	O5 x12 
P0 x4 $\phi 5$ 	P13 x4 s $\phi 8$ 	W x3 
X5 x4 		



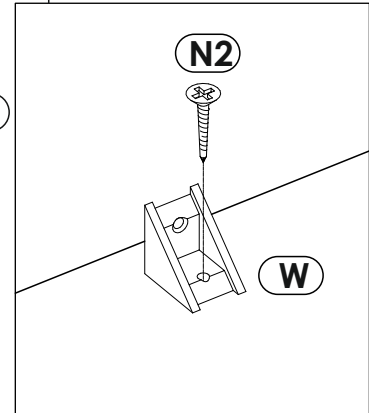
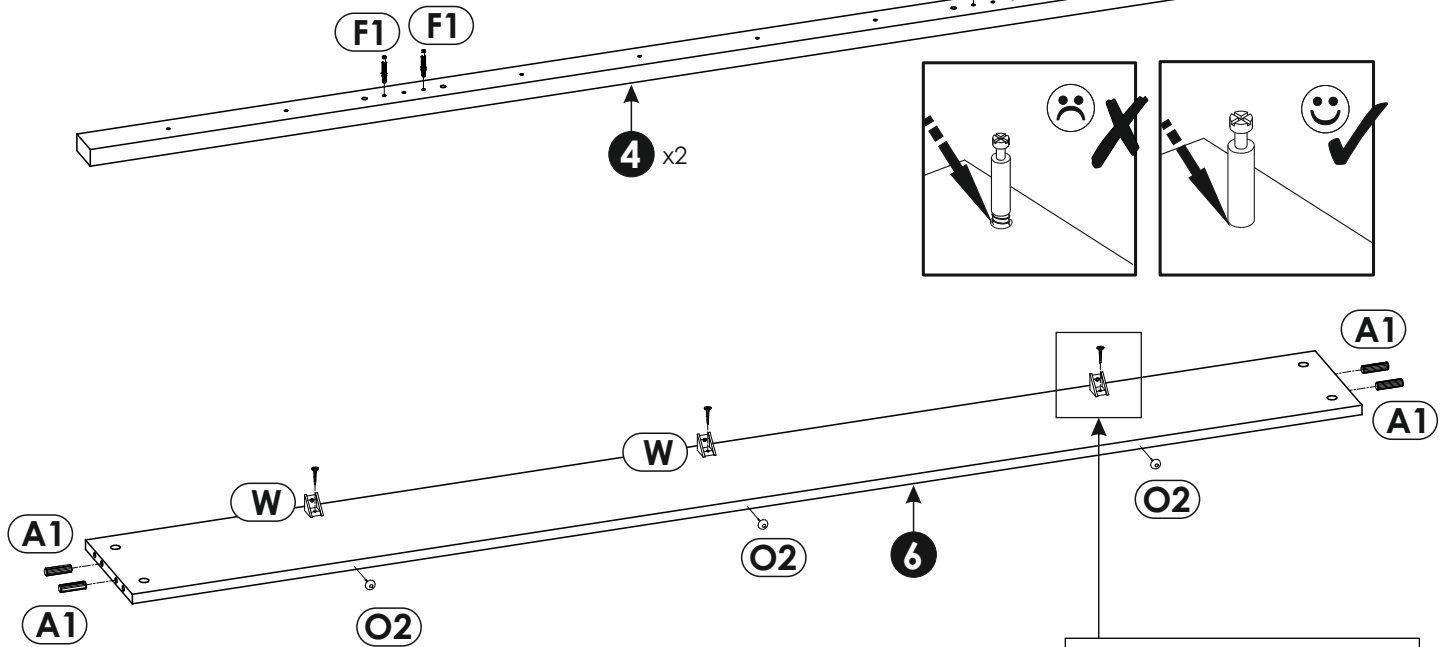
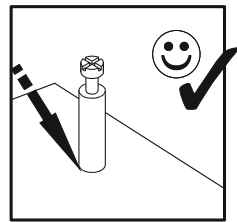
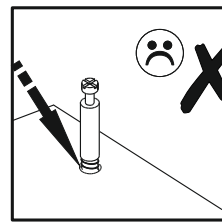
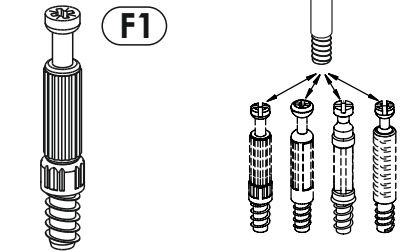
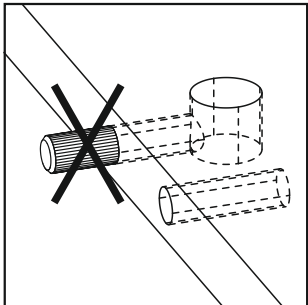
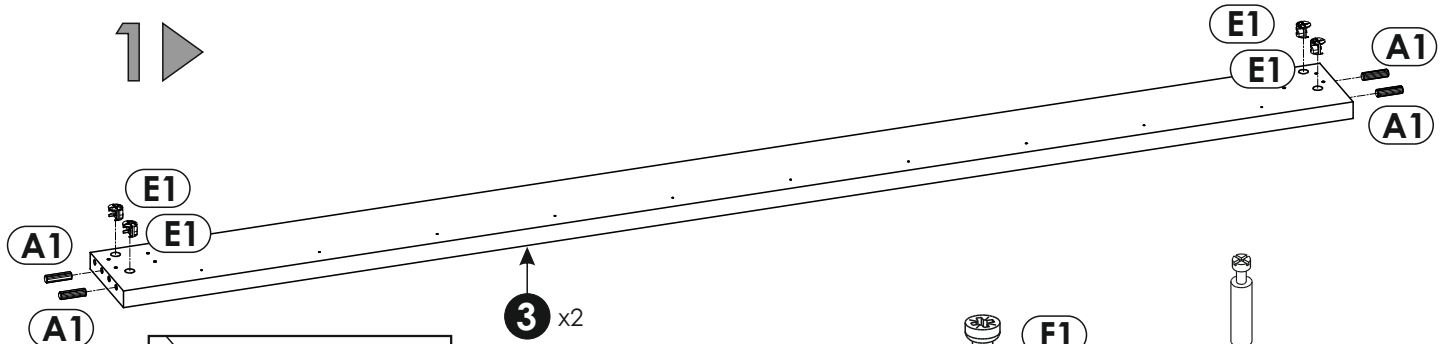


1	1006	758	22	x1	2/3
2	1006	430	22	x1	2/3
3	2004	149	28	x2	1/3
4	2004	60	28	x2	1/3
5	848	160	28	x2	1/3
6	2004	210	16	x1	3/3

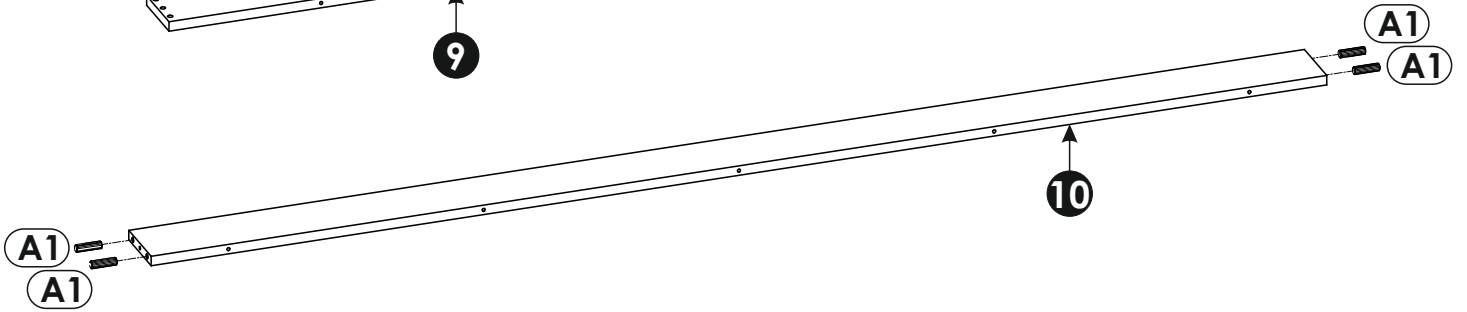
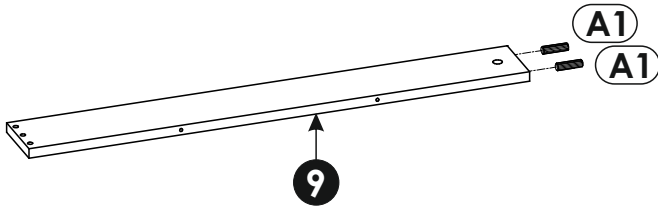
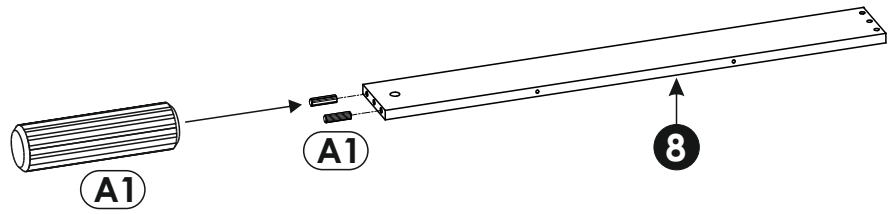
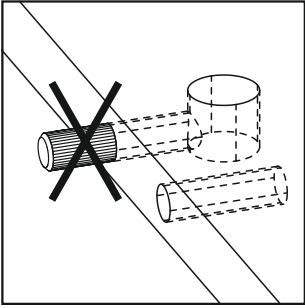
7	1996	210	16	x1	3/3
8	816	100	16	x1	1/3
9	816	100	16	x1	1/3
10	1916	100	16	x1	3/3
11	1949	816	16	x1	3/3



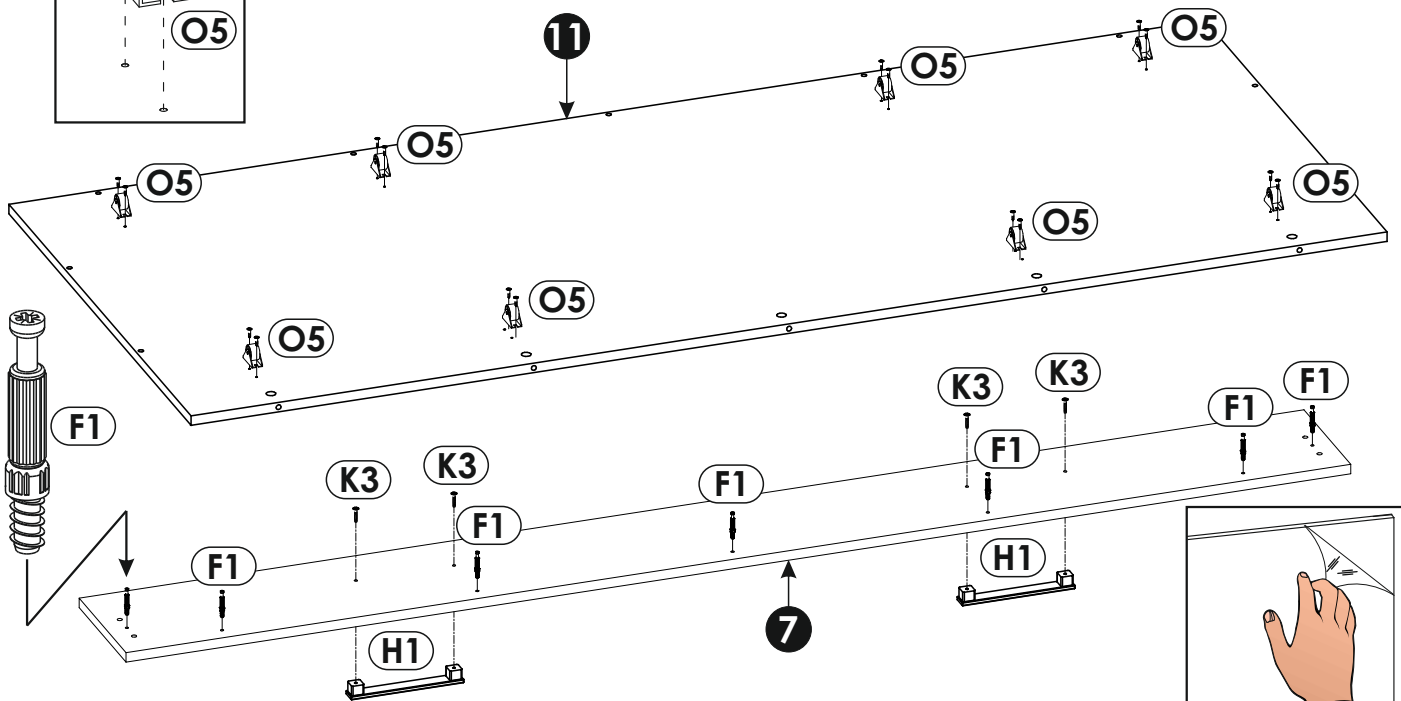
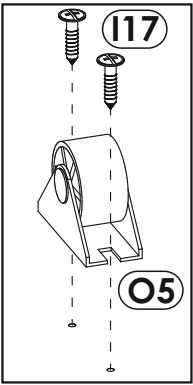
1 ▶



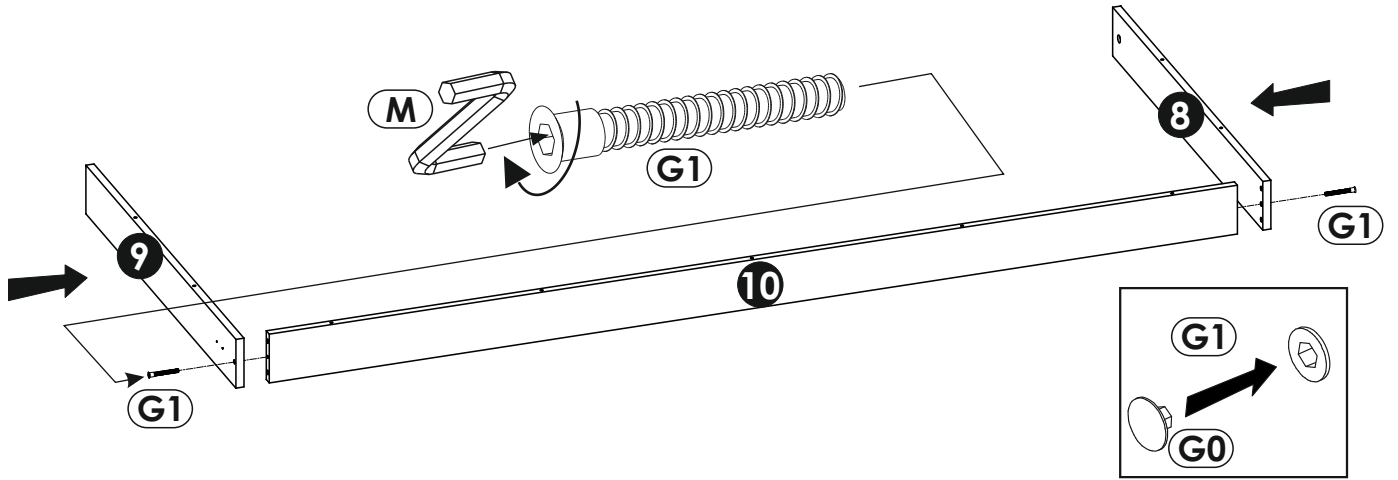
2 ▶



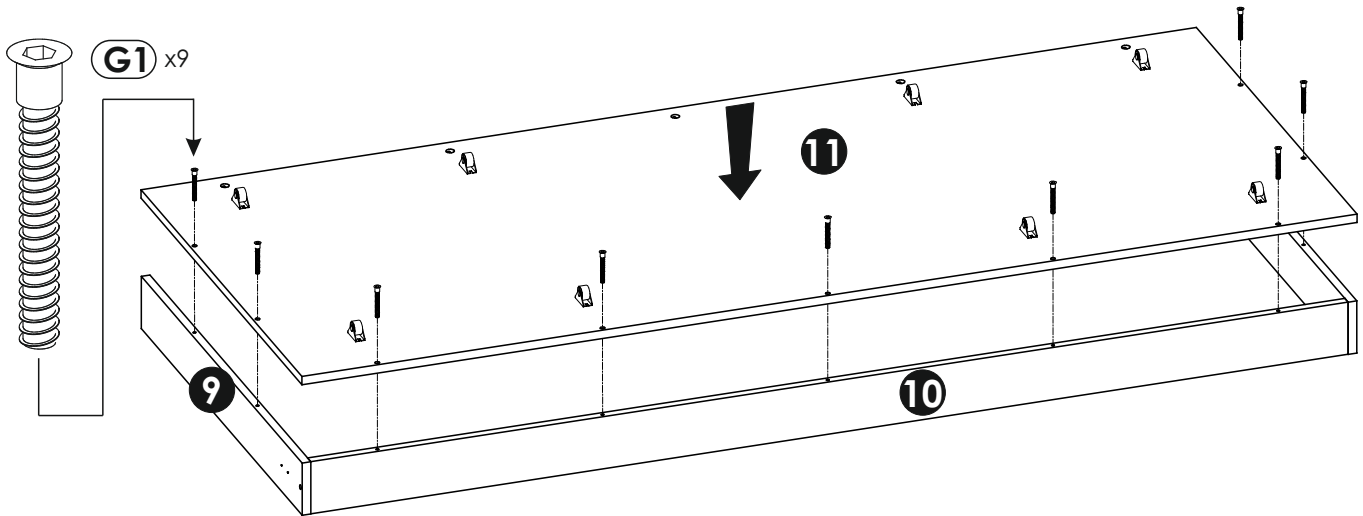
3 ▶



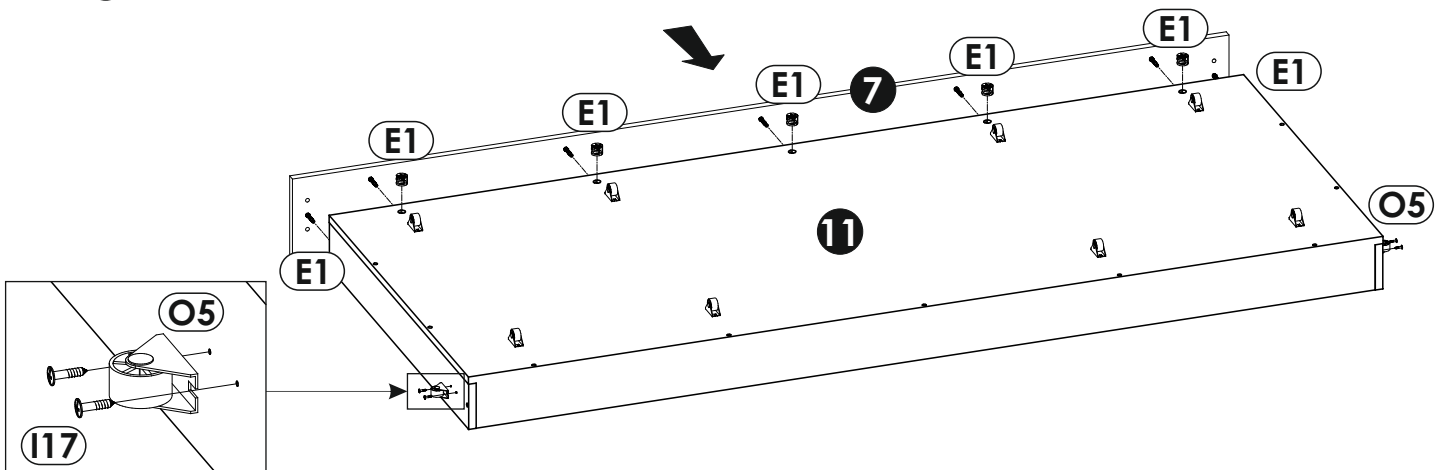
4 ▶

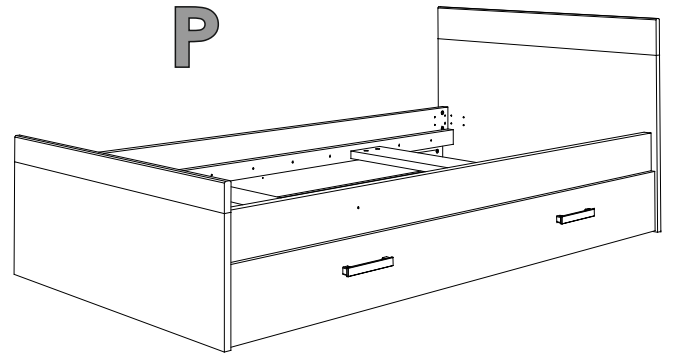
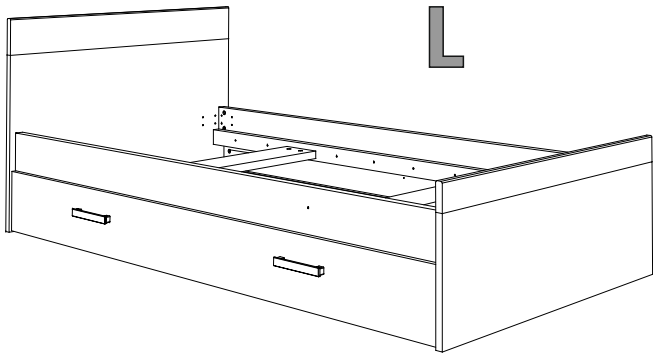


5 ▶

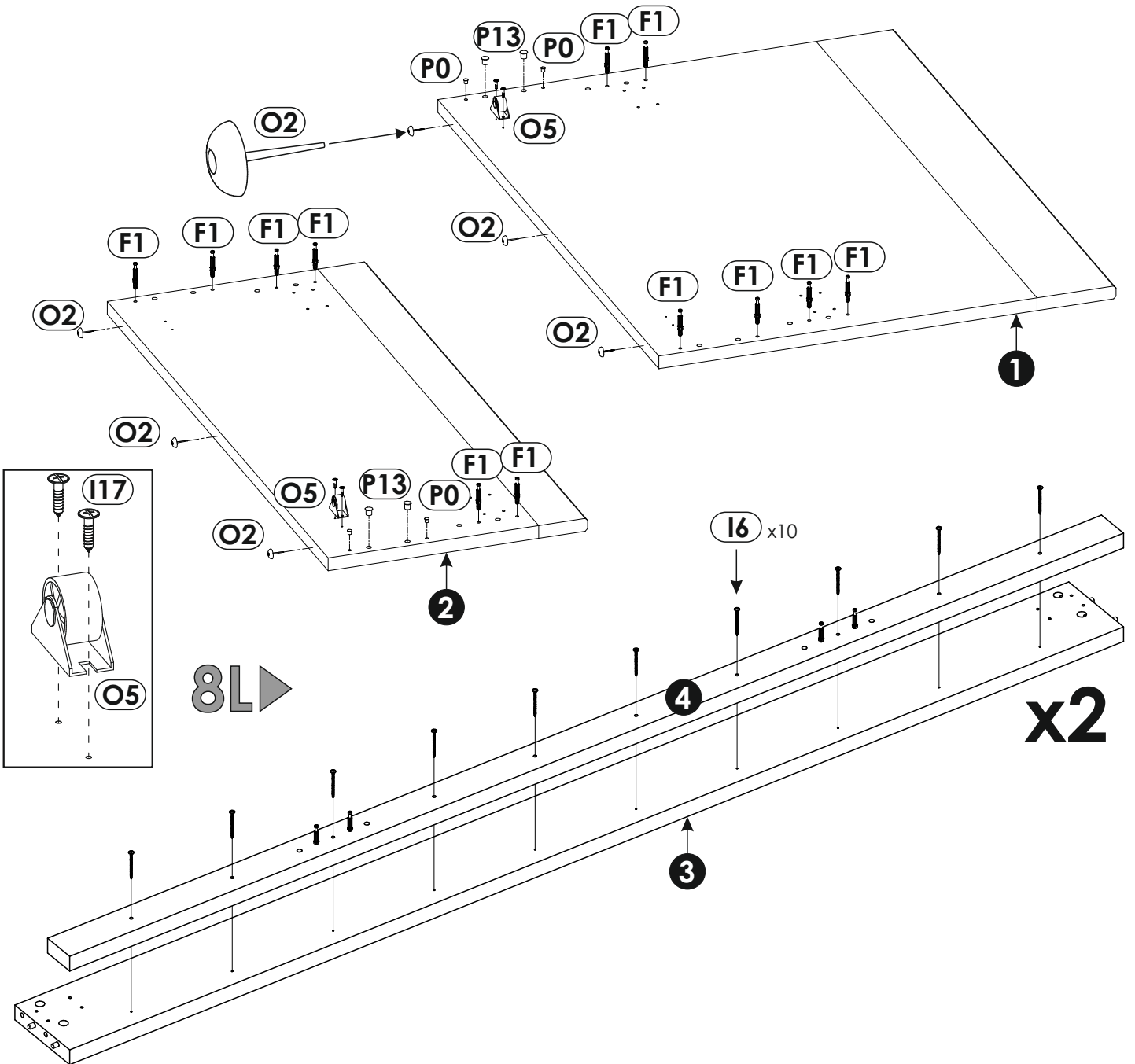


6 ▶

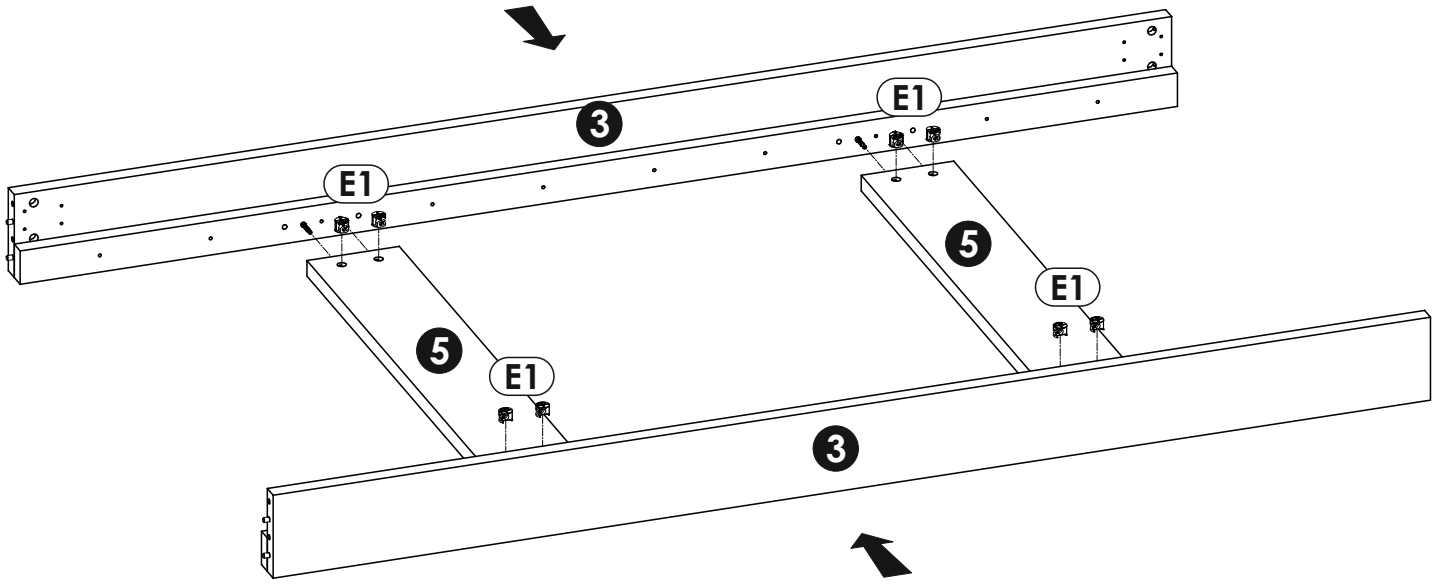




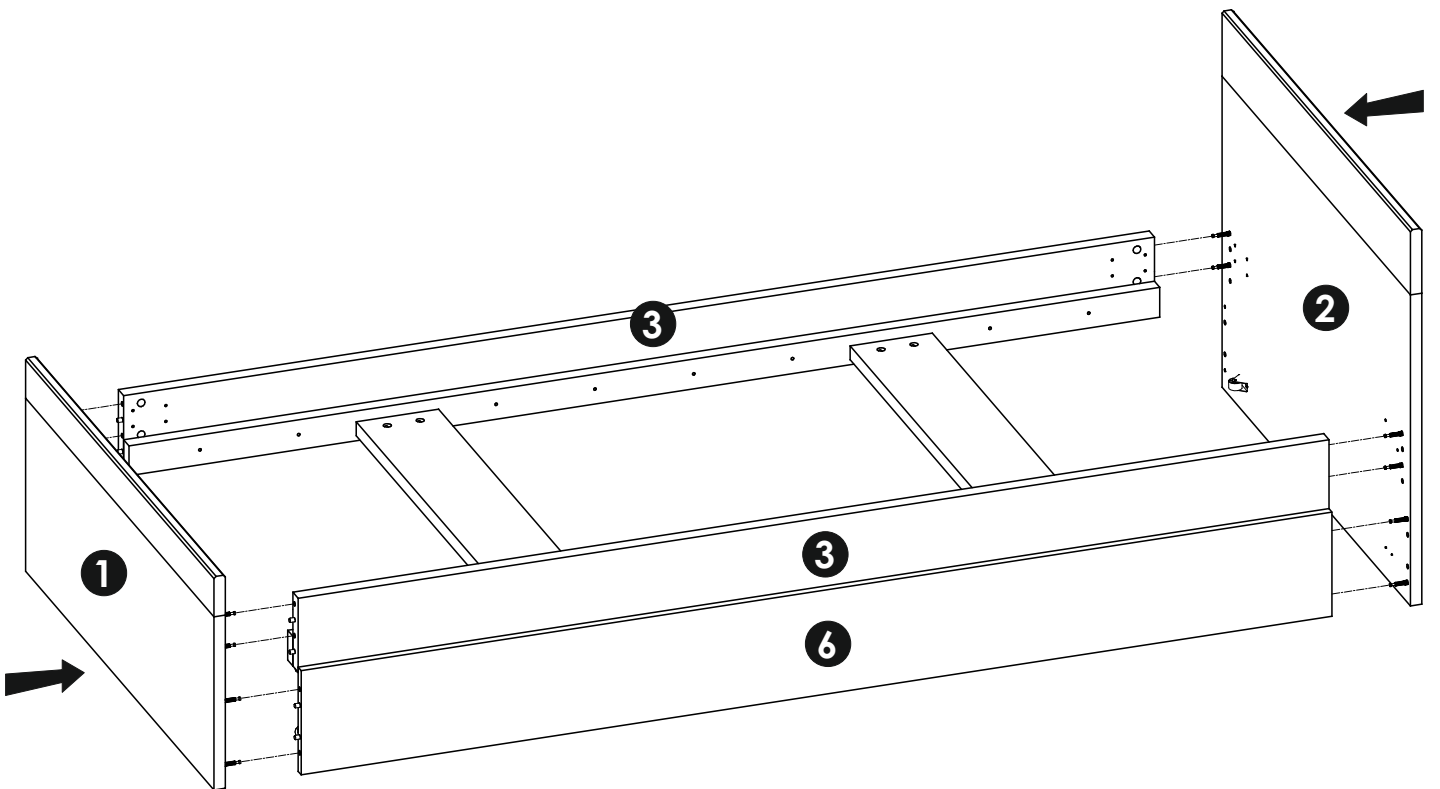
7L ▶



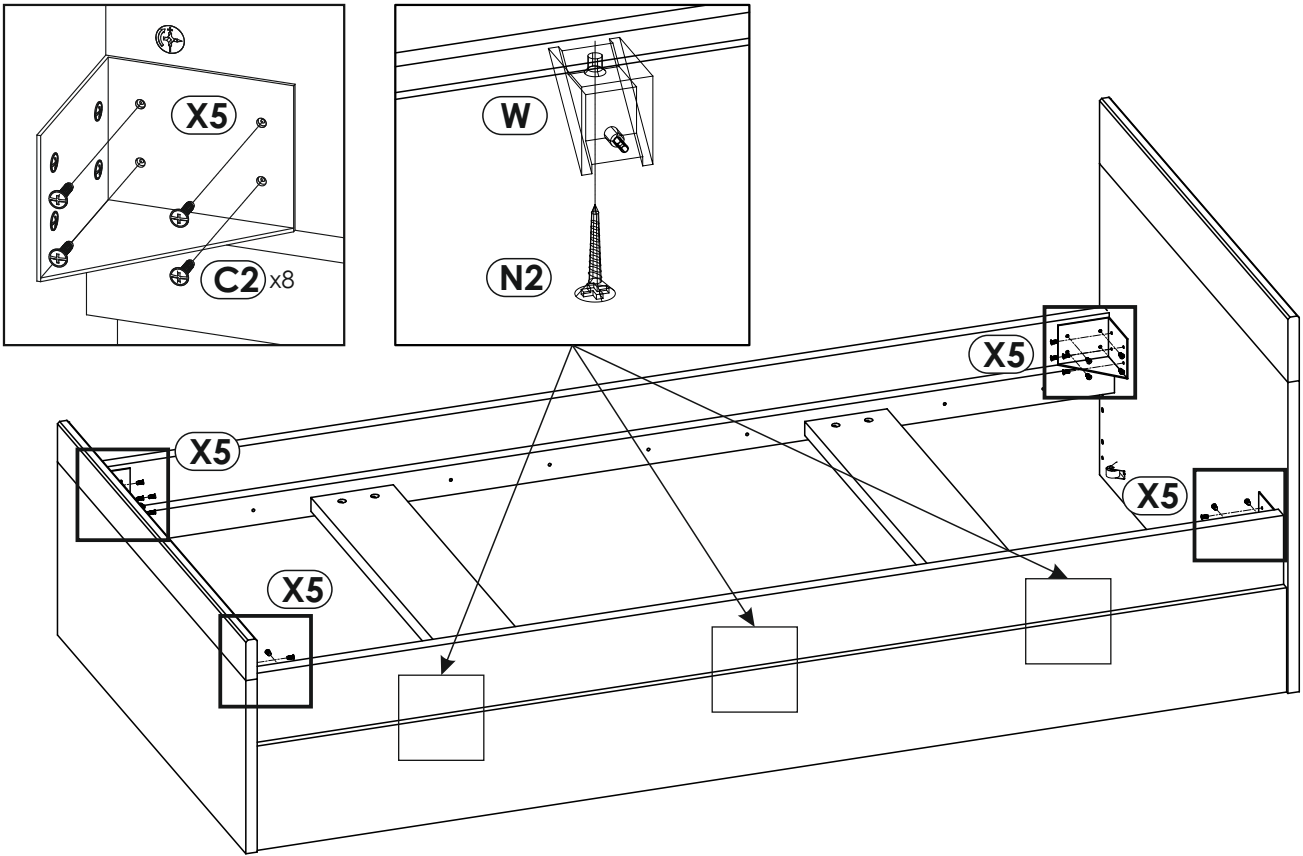
9L▶



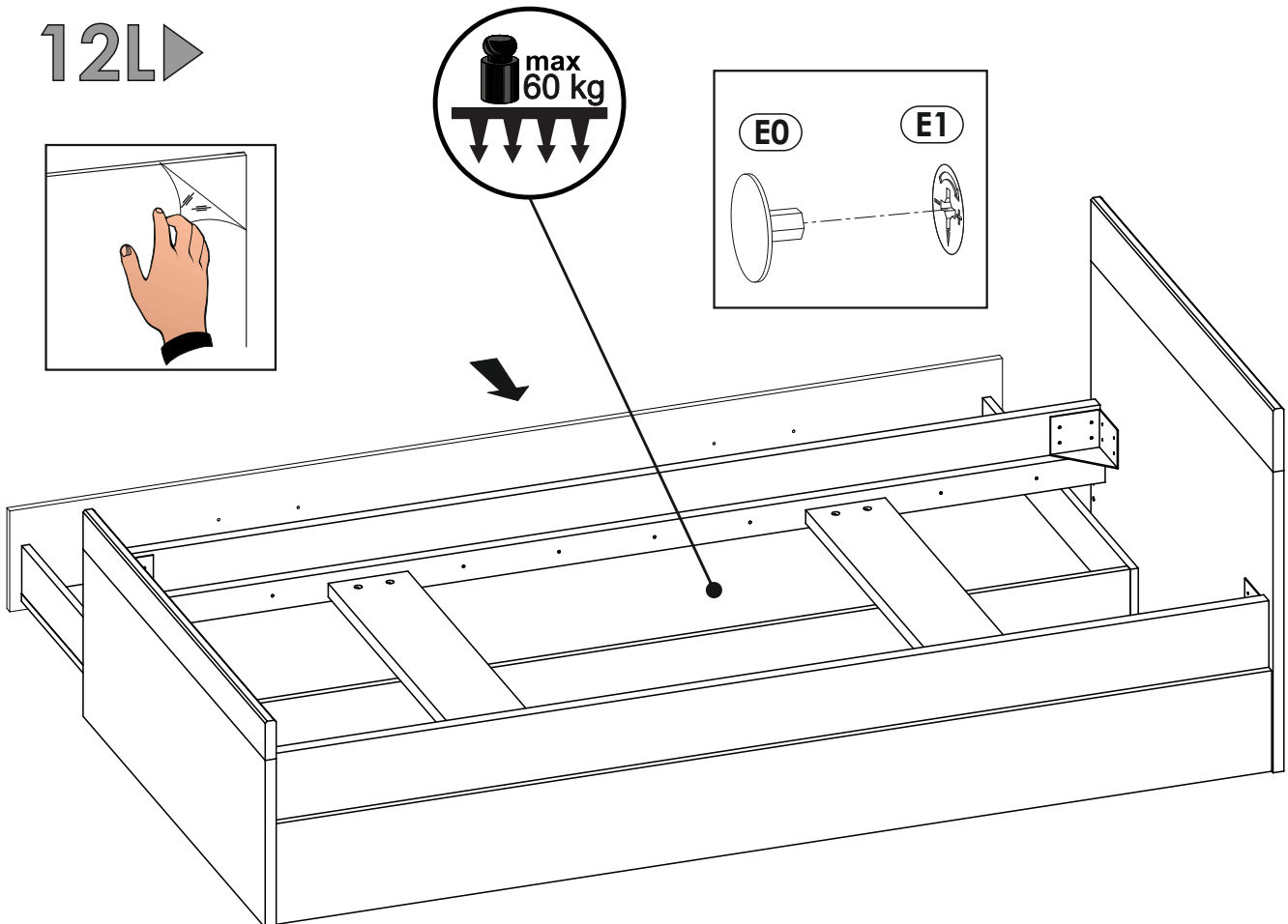
10L▶

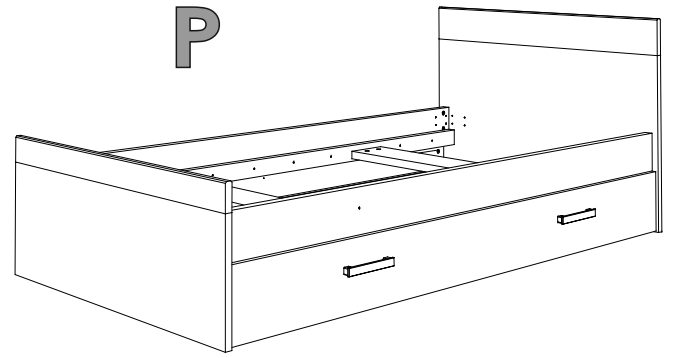
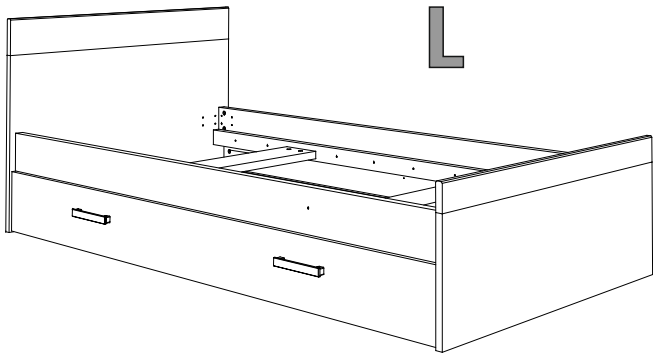


11L ▶

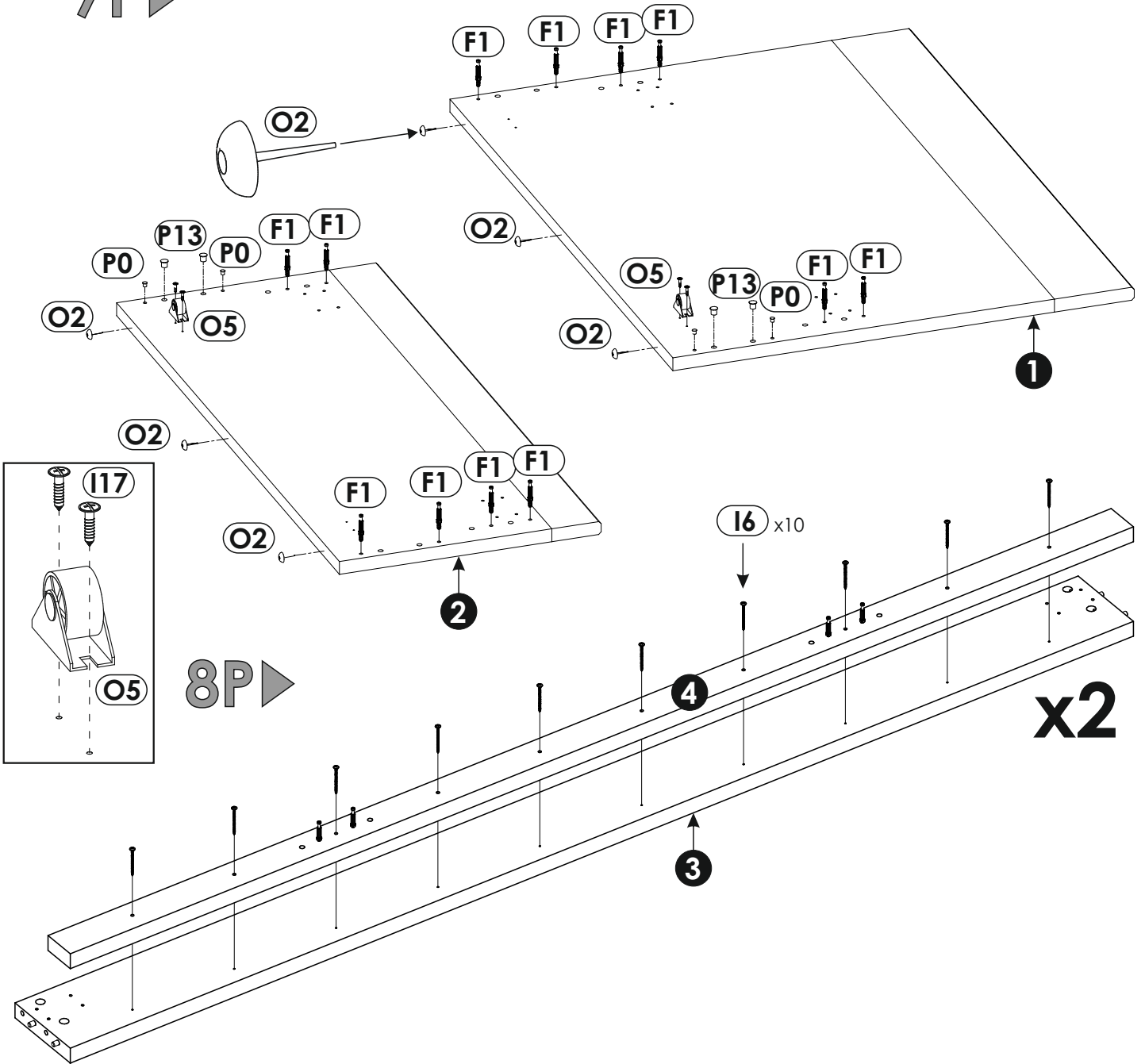


12L ▶



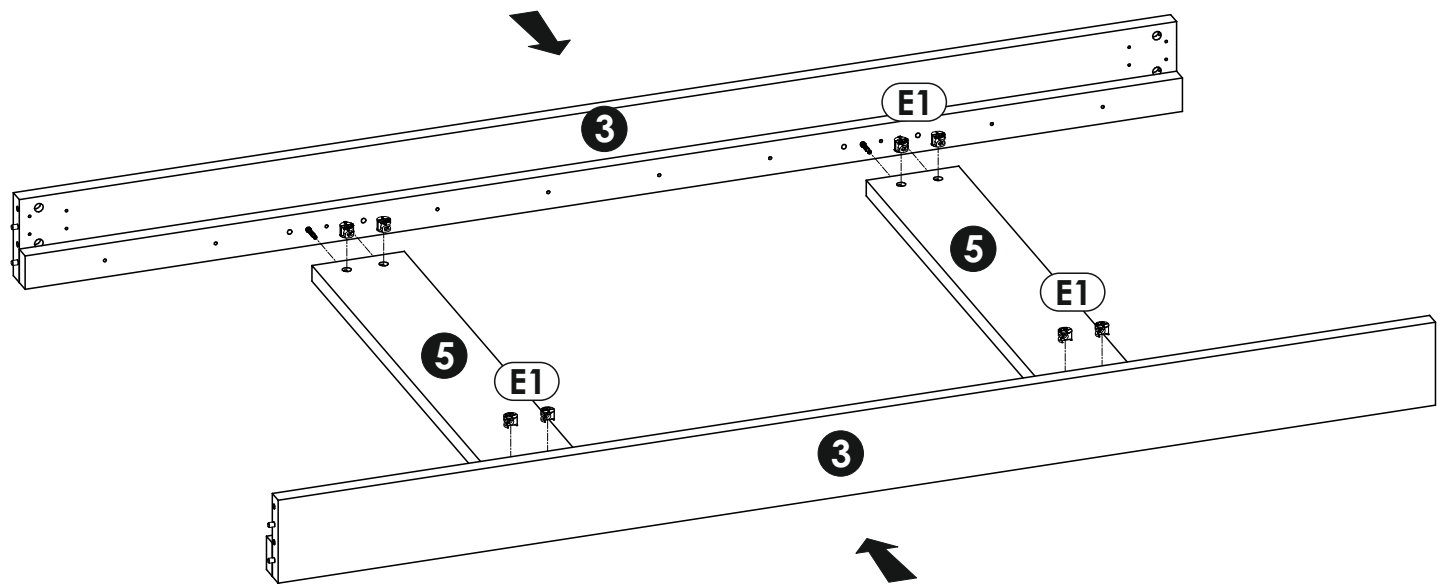


7P ▶

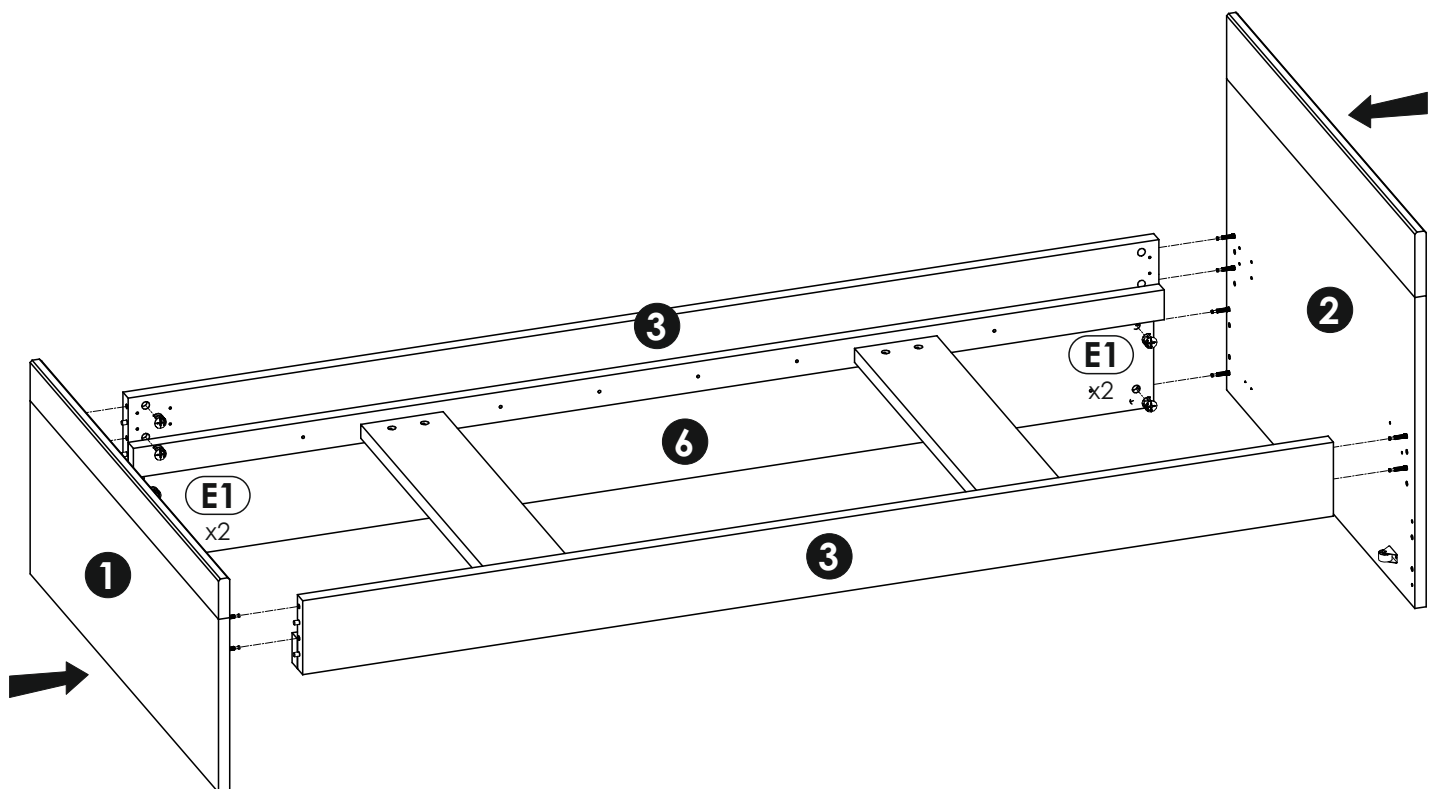


8P ▶

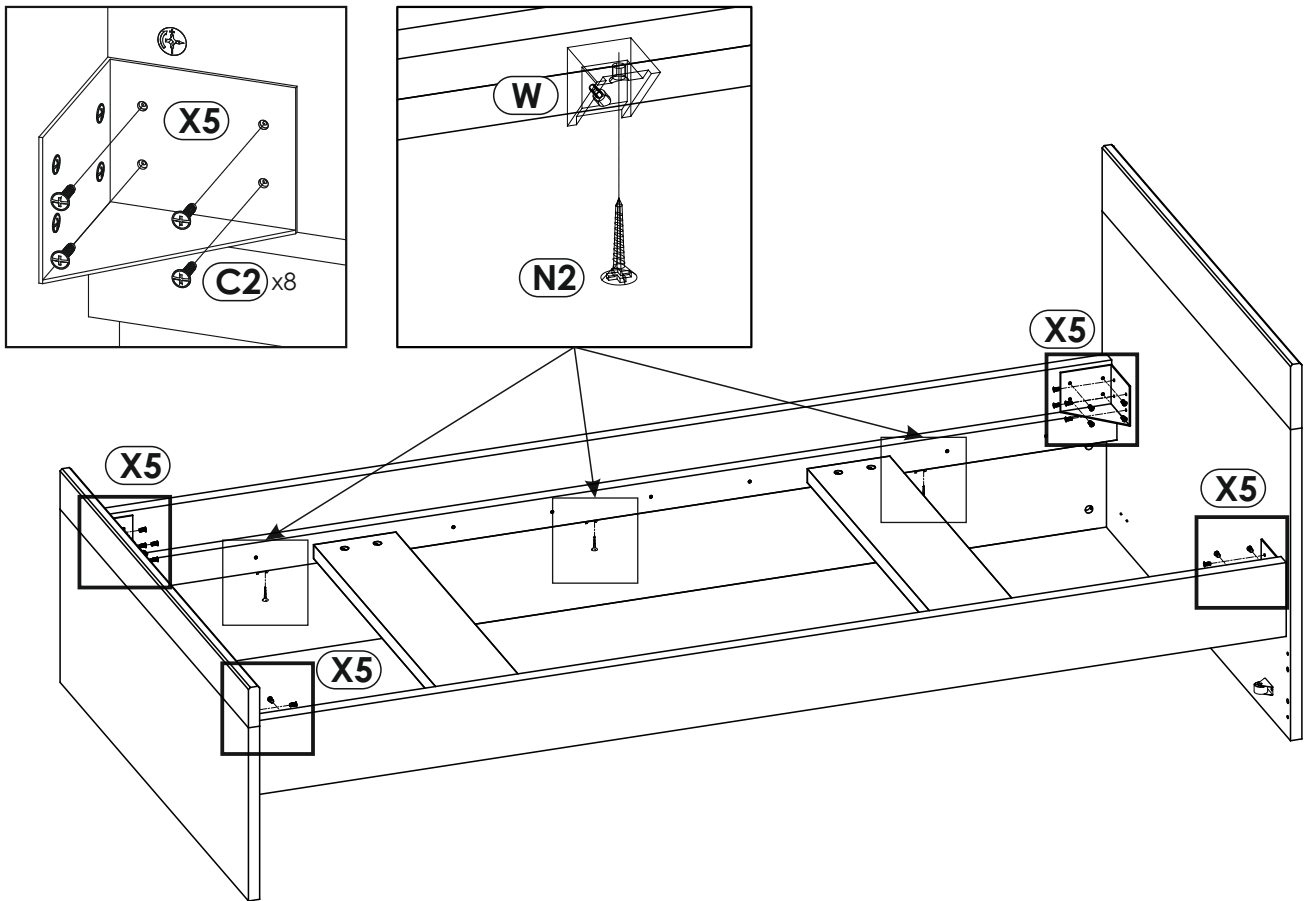
9P ▶



10P ▶



11P ▶



12P ▶

