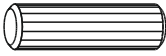
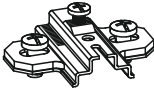
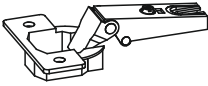












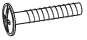
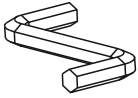


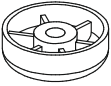


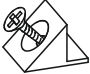


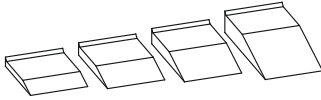

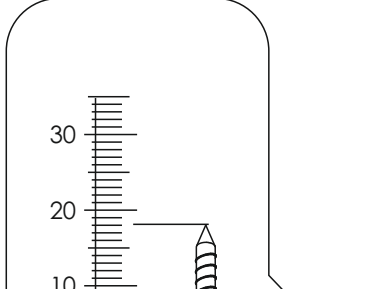
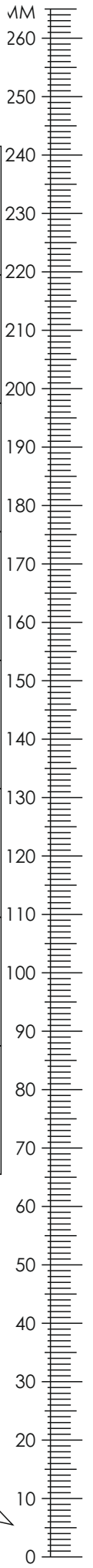
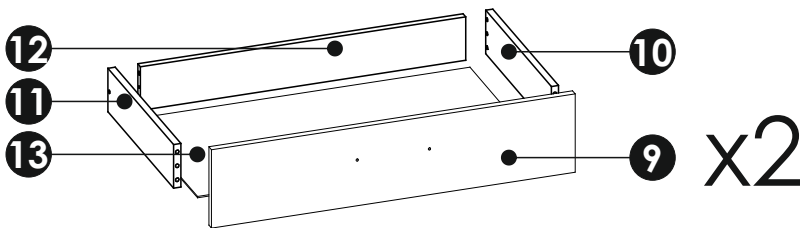
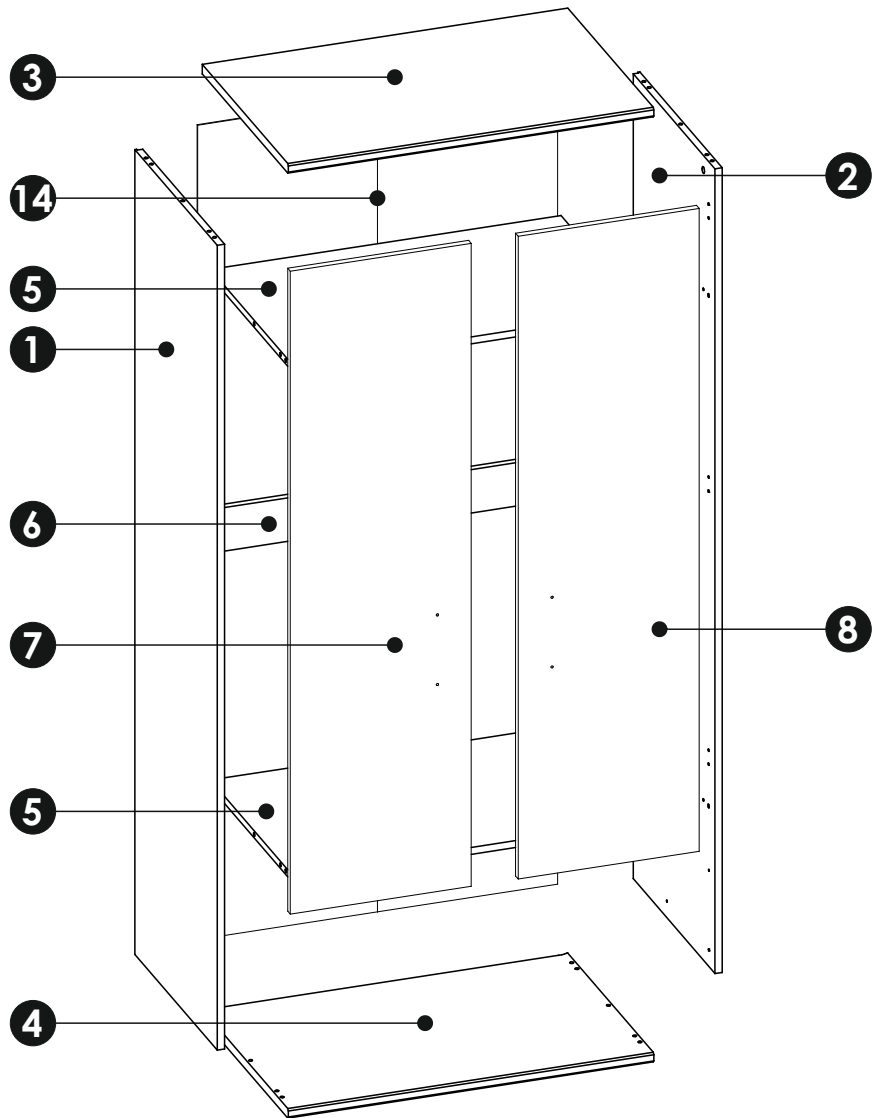
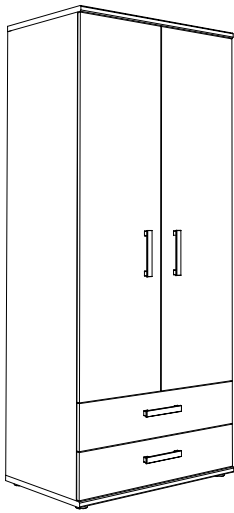


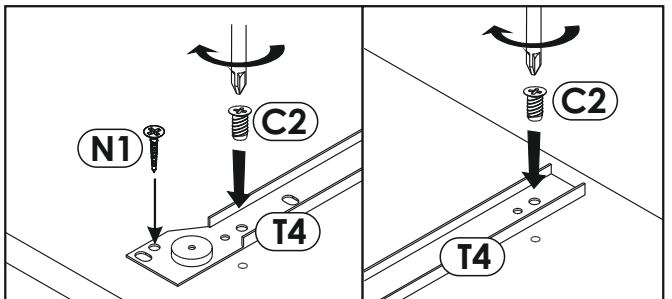
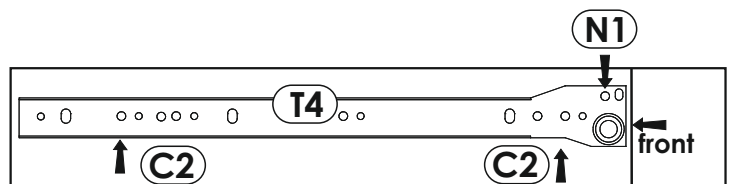
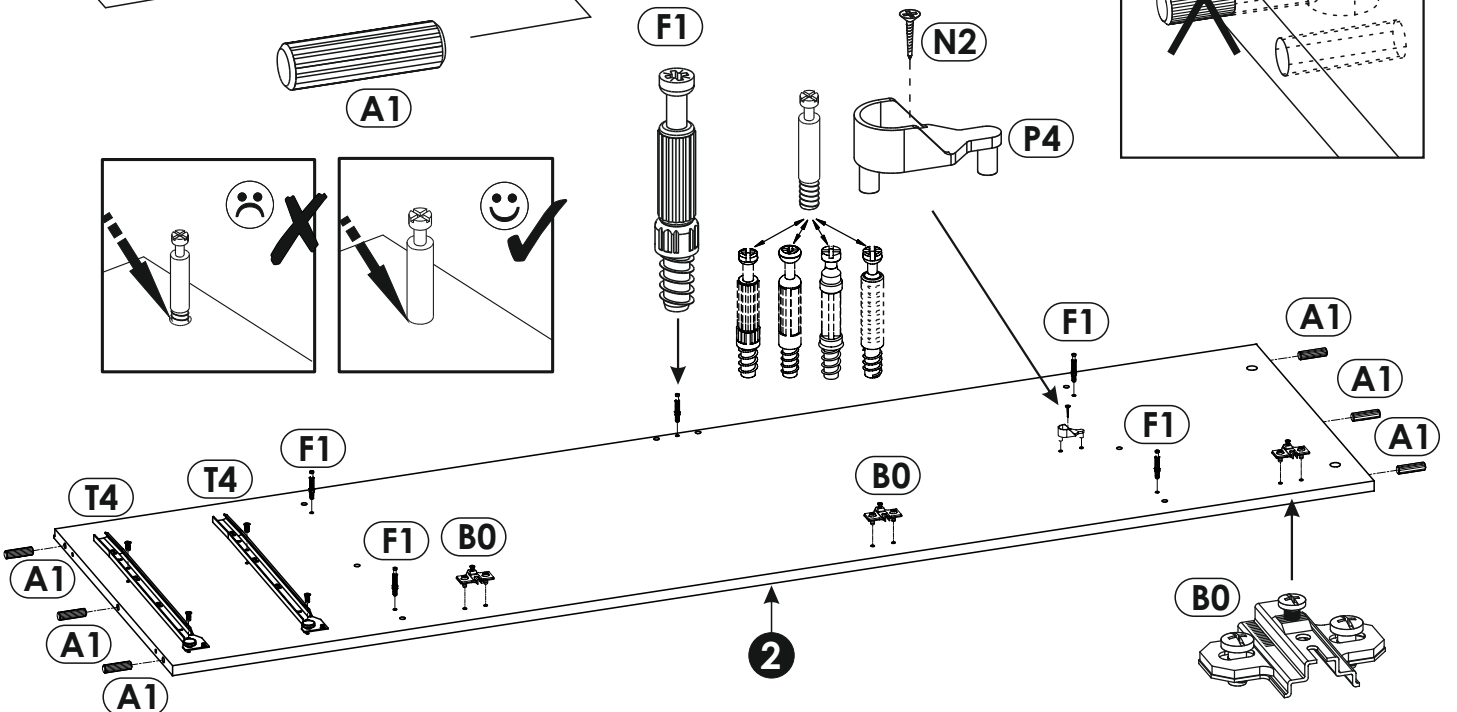
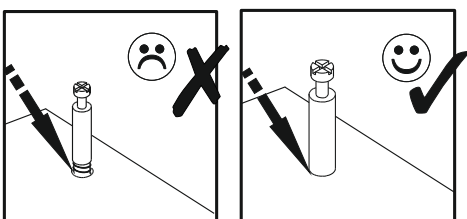
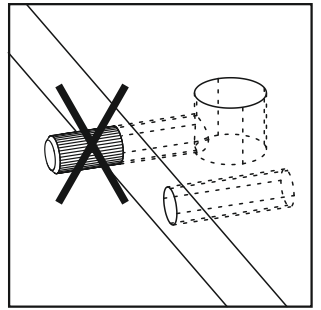
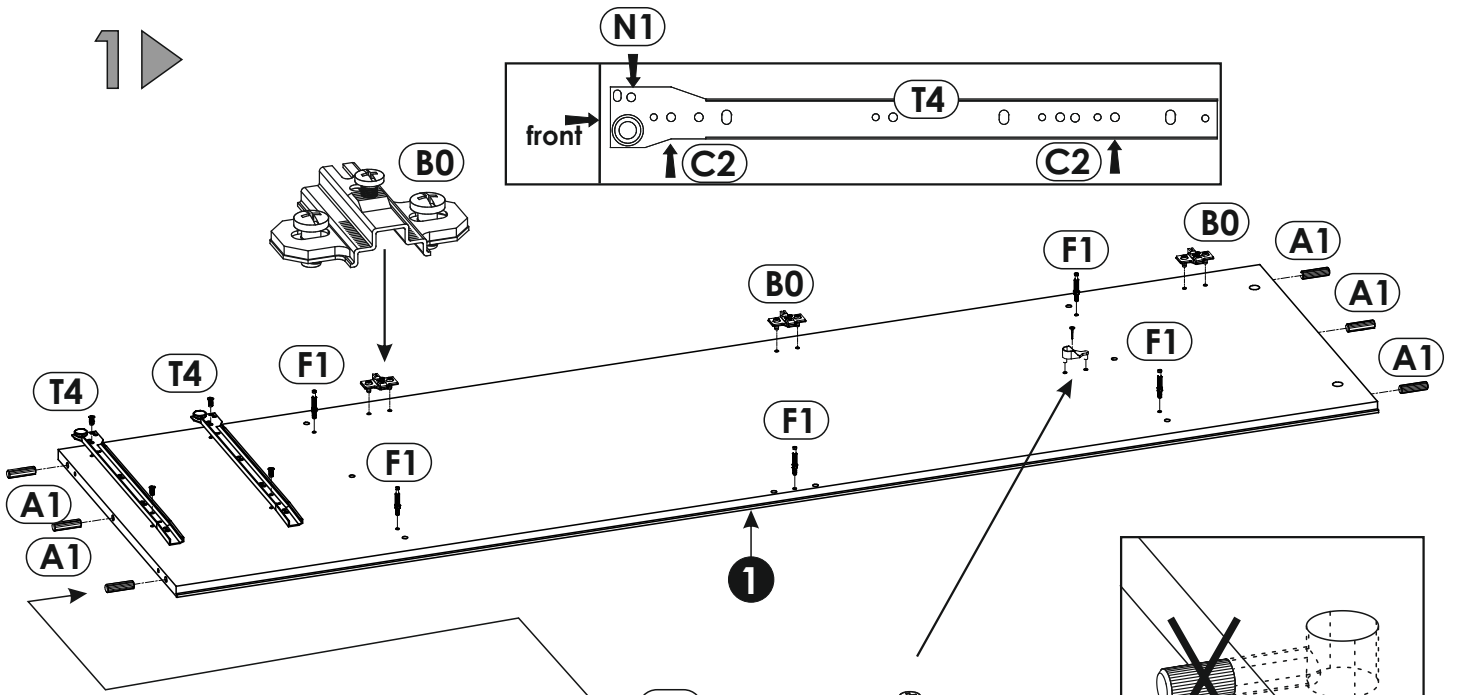
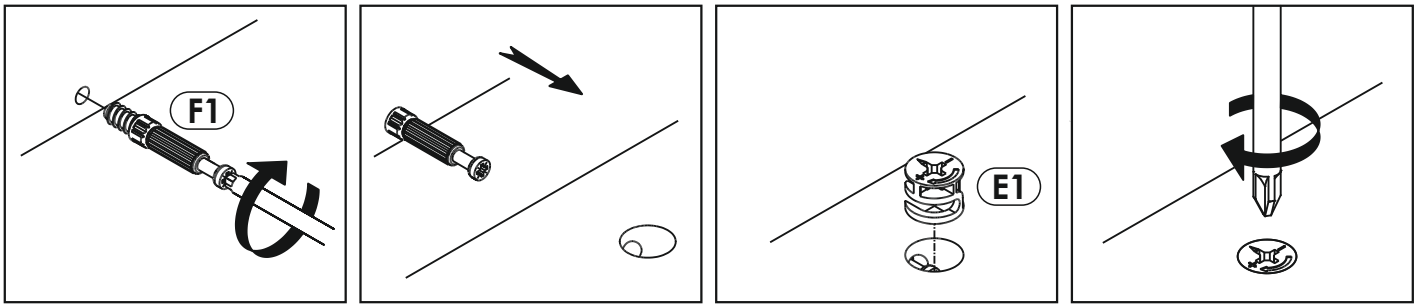
A1 x44 	B0 x6 	B1 x6 
C1 x12 EURO 4 x 13 mm 	C2 x8 EURO 5 x 13 mm 	E0 x18 
E1 x18 	F1 x18 	G0 x8 
G1 x4 $\phi 7 \times 50$ mm 	G2 x4 $\phi 7 \times 60$ mm 	H1 x4 
I2 x2 4 x 16 mm 	J1 x12 3 x 20 mm 	I10 x5 3,5 x 22 mm 
K3 x8 M4 x 22 mm 	M x1 	N1 x70 3 x 16 mm 
N2 x2 3,5 x 16 mm 	O1 x5 	P4 x2 
Q9 x2 	R4 x2 	R8 x8 
T4 x2 L-400 	Z x1 	
Z1 x1 L-767 		



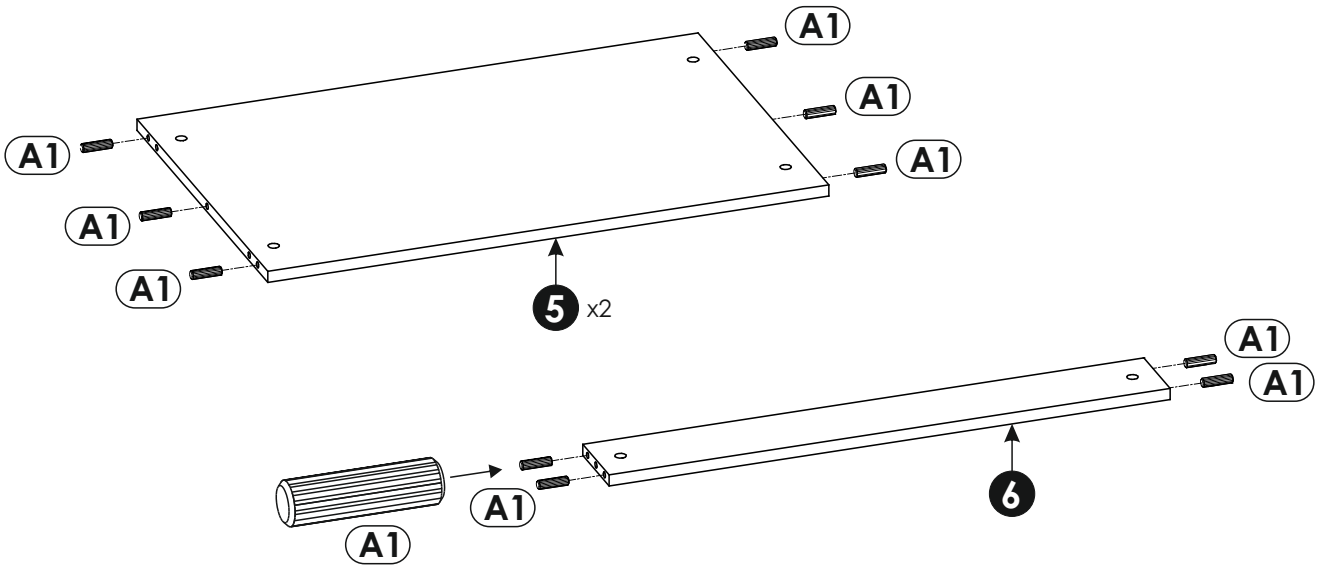


1	1849	502	16	x1	3/3
2	1849	502	16	x1	3/3
3	810	524	22	x1	1/3
4	810	524	22	x1	1/3
5	777	498	16	x2	1/3
6	777	100	16	x1	1/3
7	1477	401	16	x1	2/3

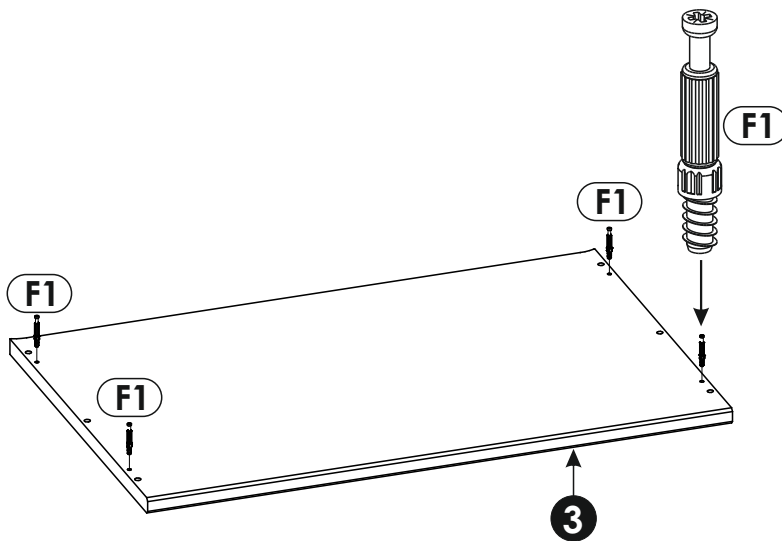
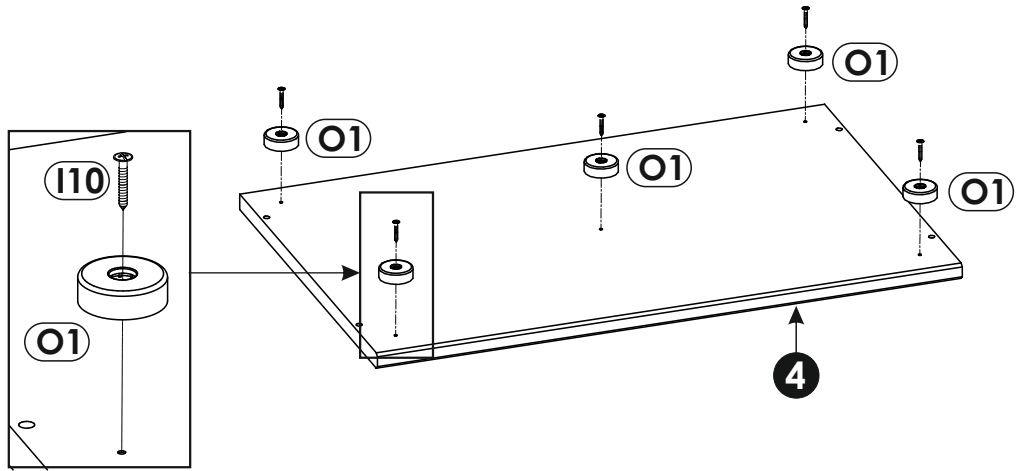
8	1477	401	16	x1	2/3
9	806	180	16	x2	2/3
10	400	100	16	x2	2/3
11	400	100	16	x2	2/3
12	721	100	16	x2	1/3
13	751	405	3	x2	1/3
14	1871	798	3	x1	3/3



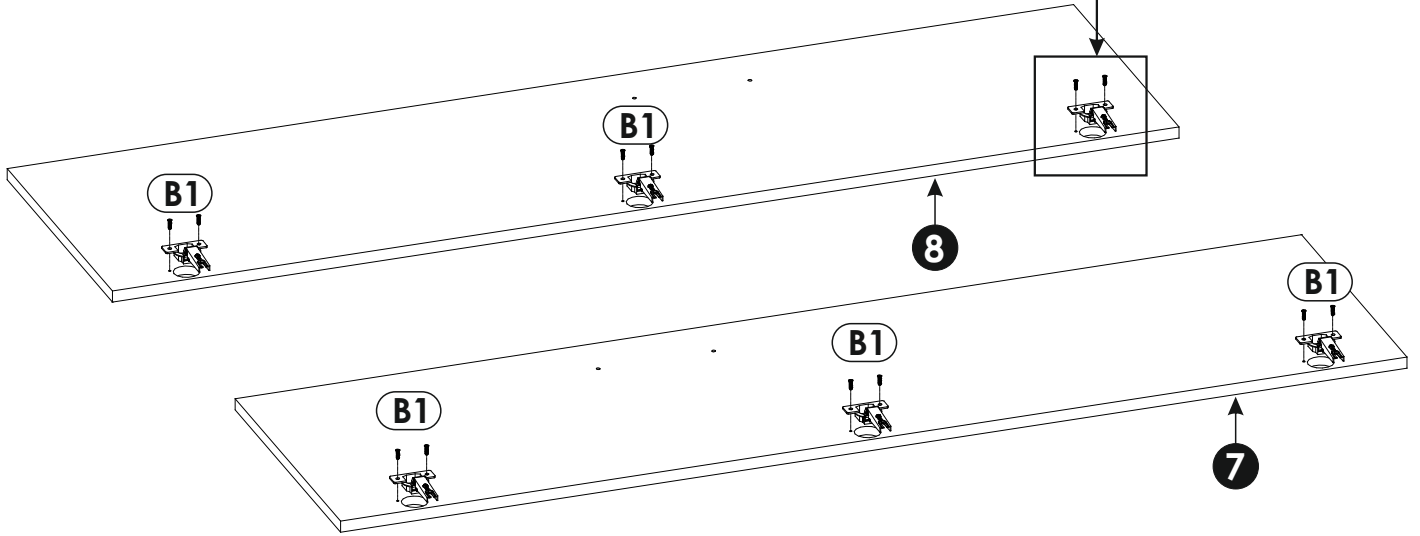
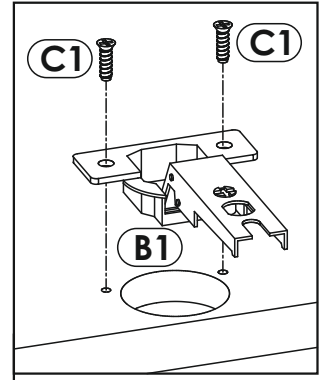
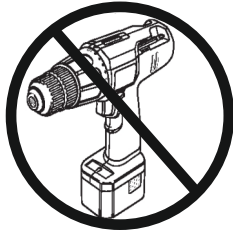
2 ▶



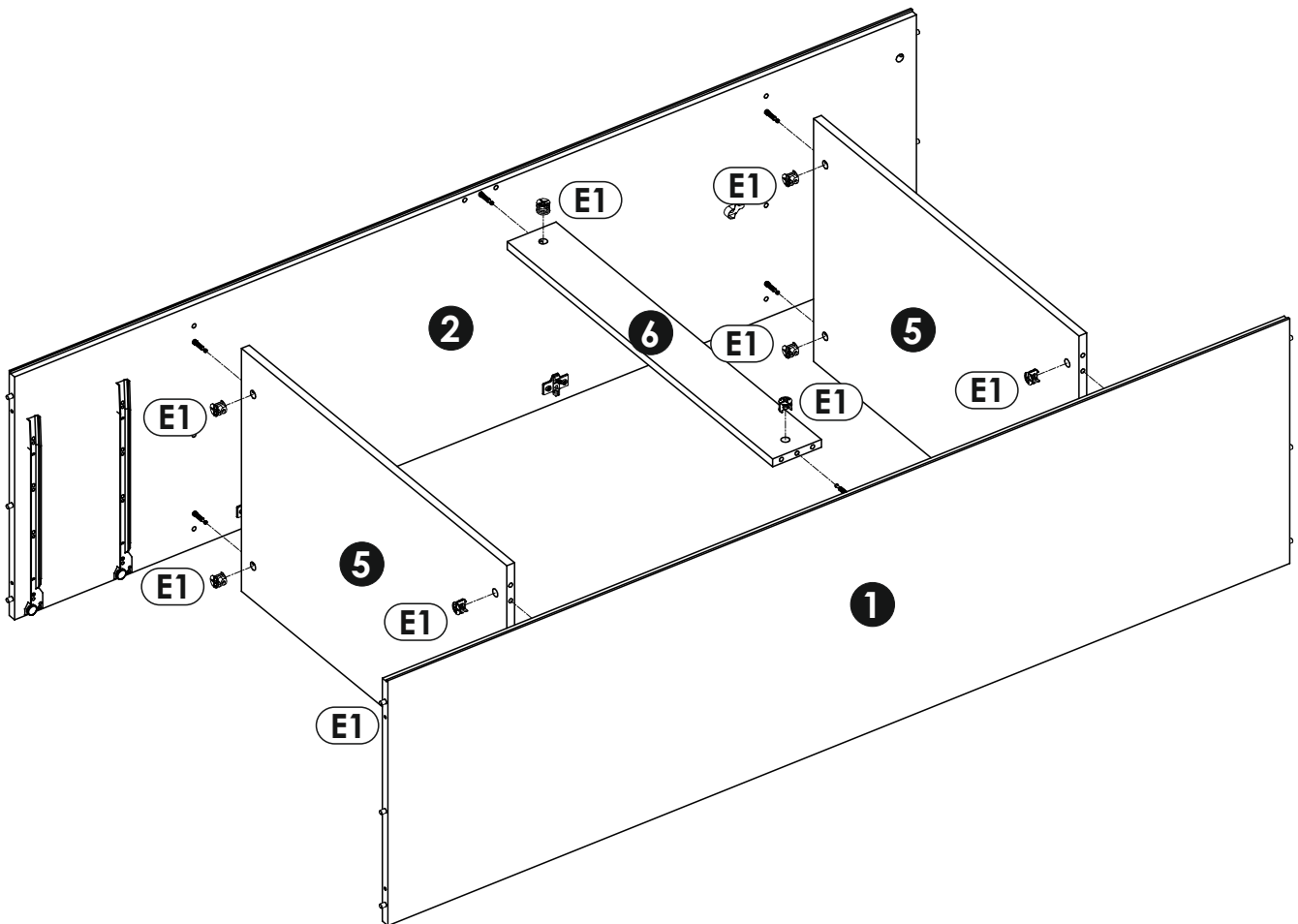
3 ▶



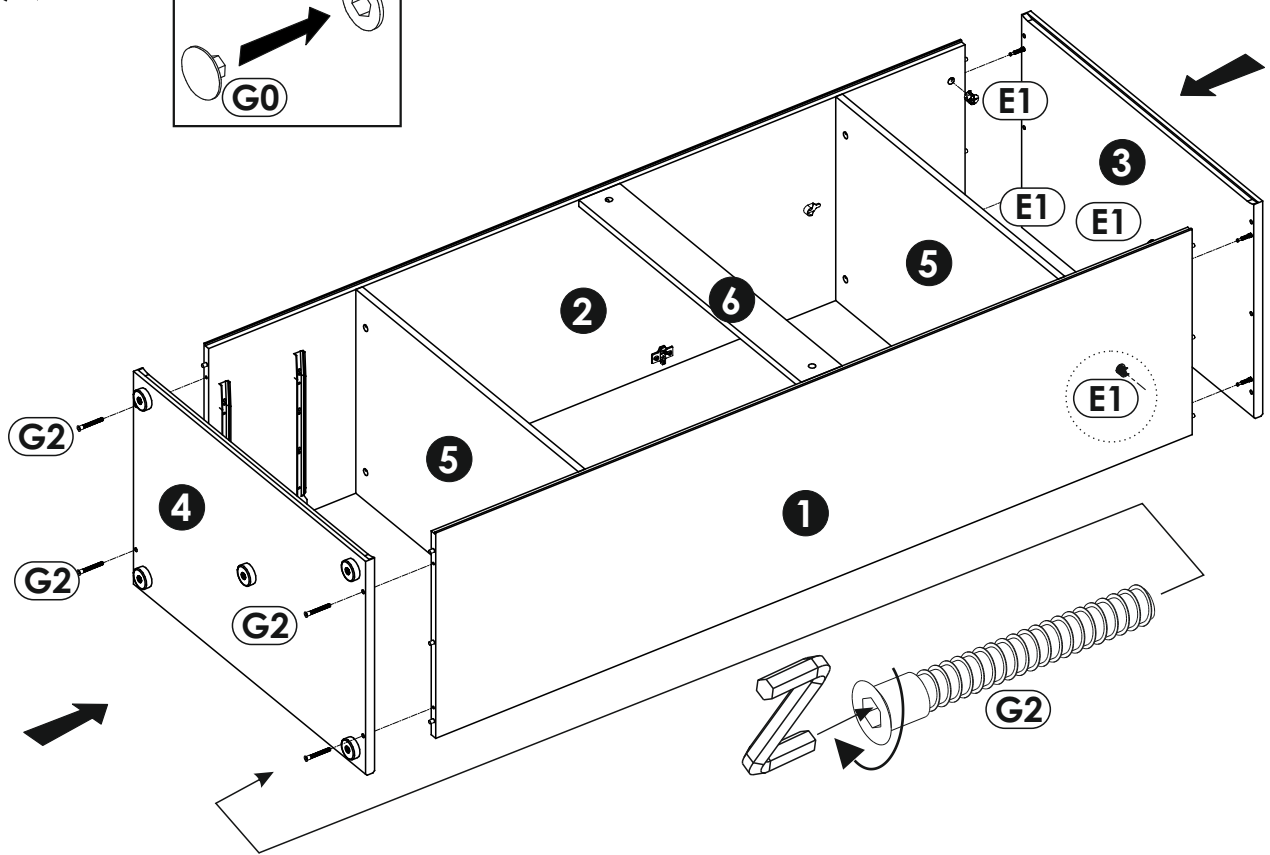
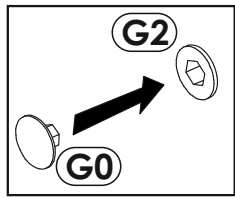
7 ▶



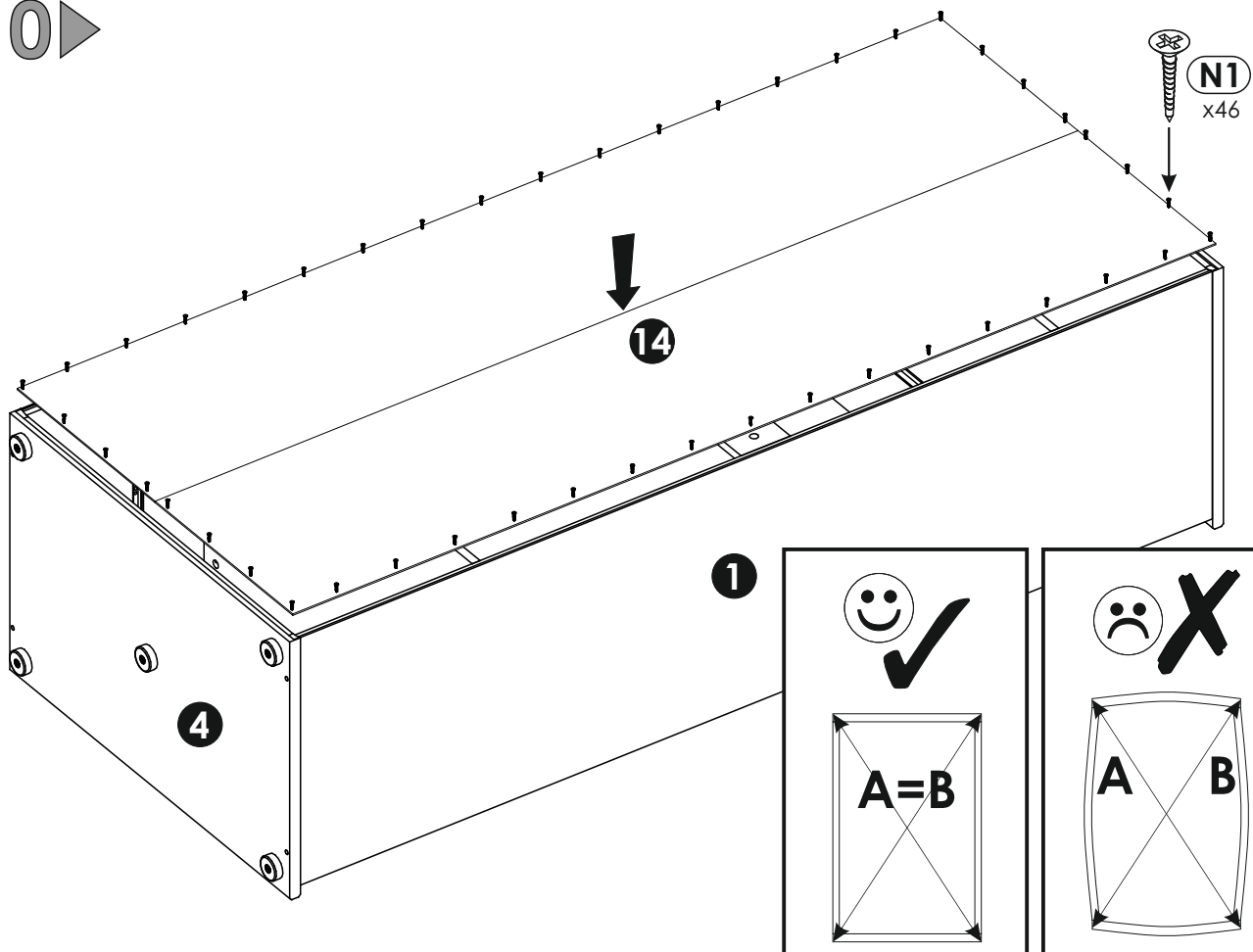
8 ▶



9 ▶



10 ▶



9 ▶

