

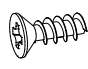
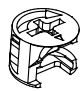
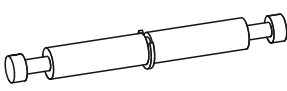

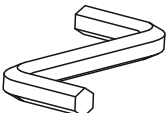
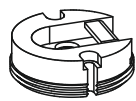
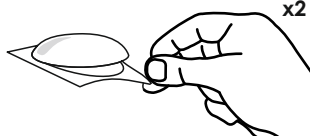
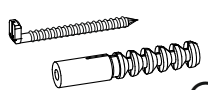
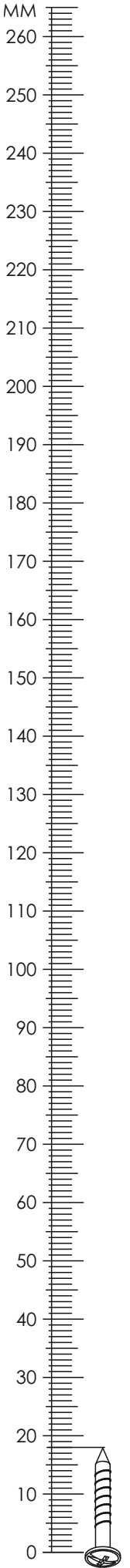
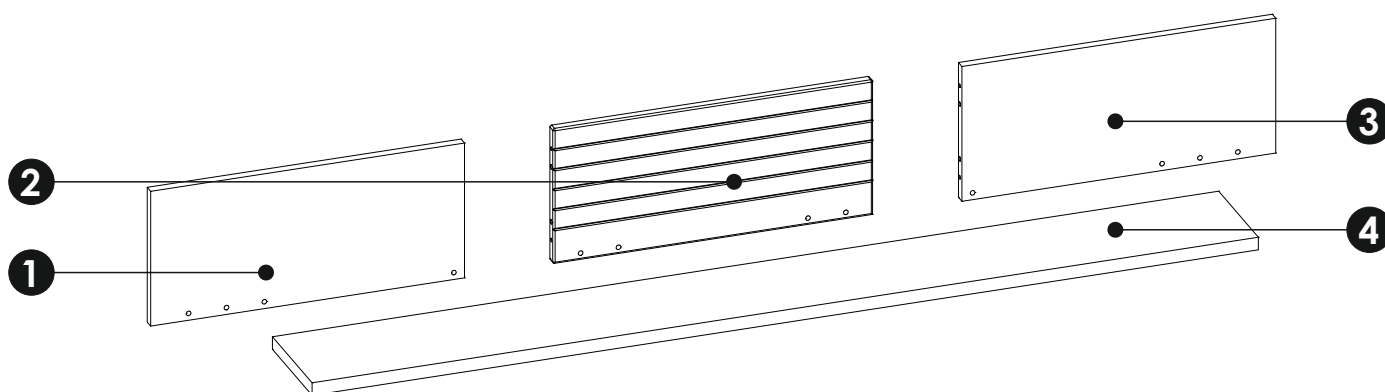
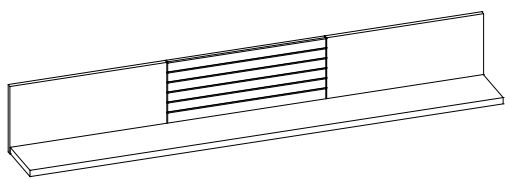
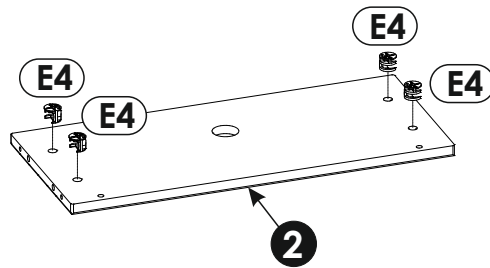
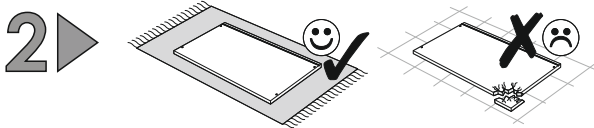
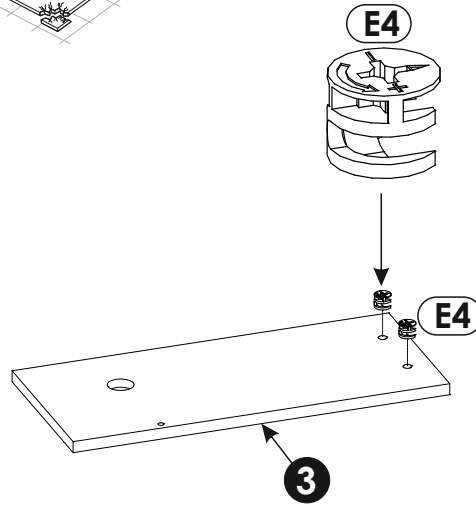
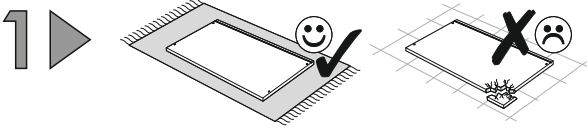
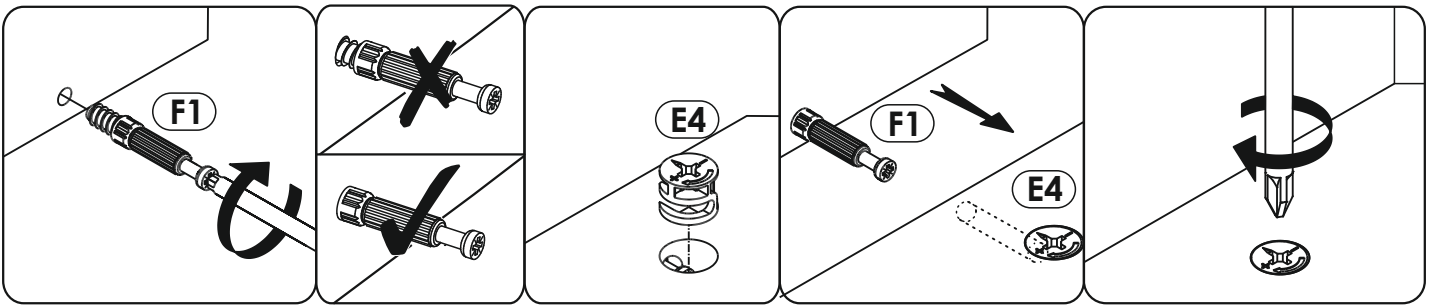


A1 8 x 35 mm x8 	A8 6 x 45 mm x4 	C2 5 x 13 mm x6 
E4 12 x 10 mm x8 	F3 7 x 64 mm x4 	G2 7 x 60 mm x4 
M x1 	P1 x3 	R7 x2 
Y2 x3  Ø10		

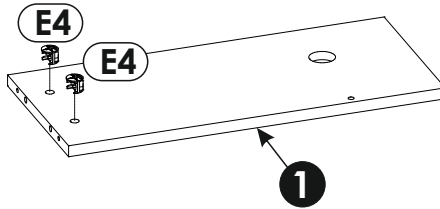
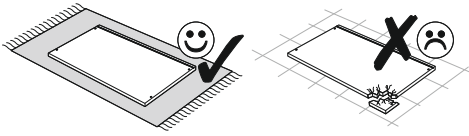




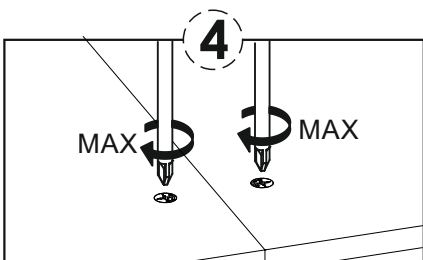
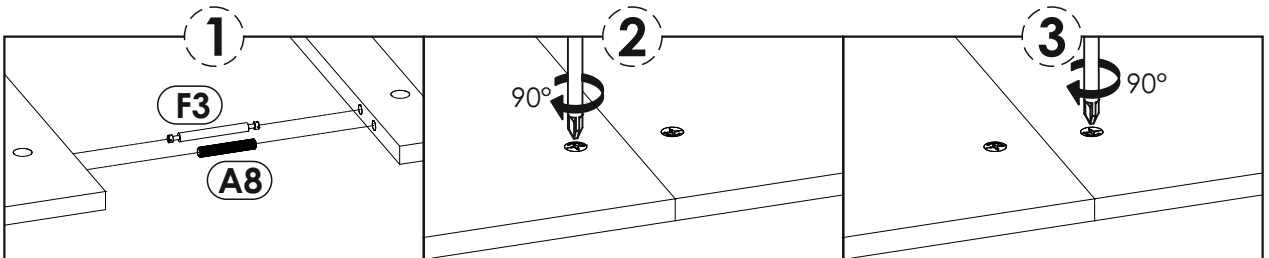
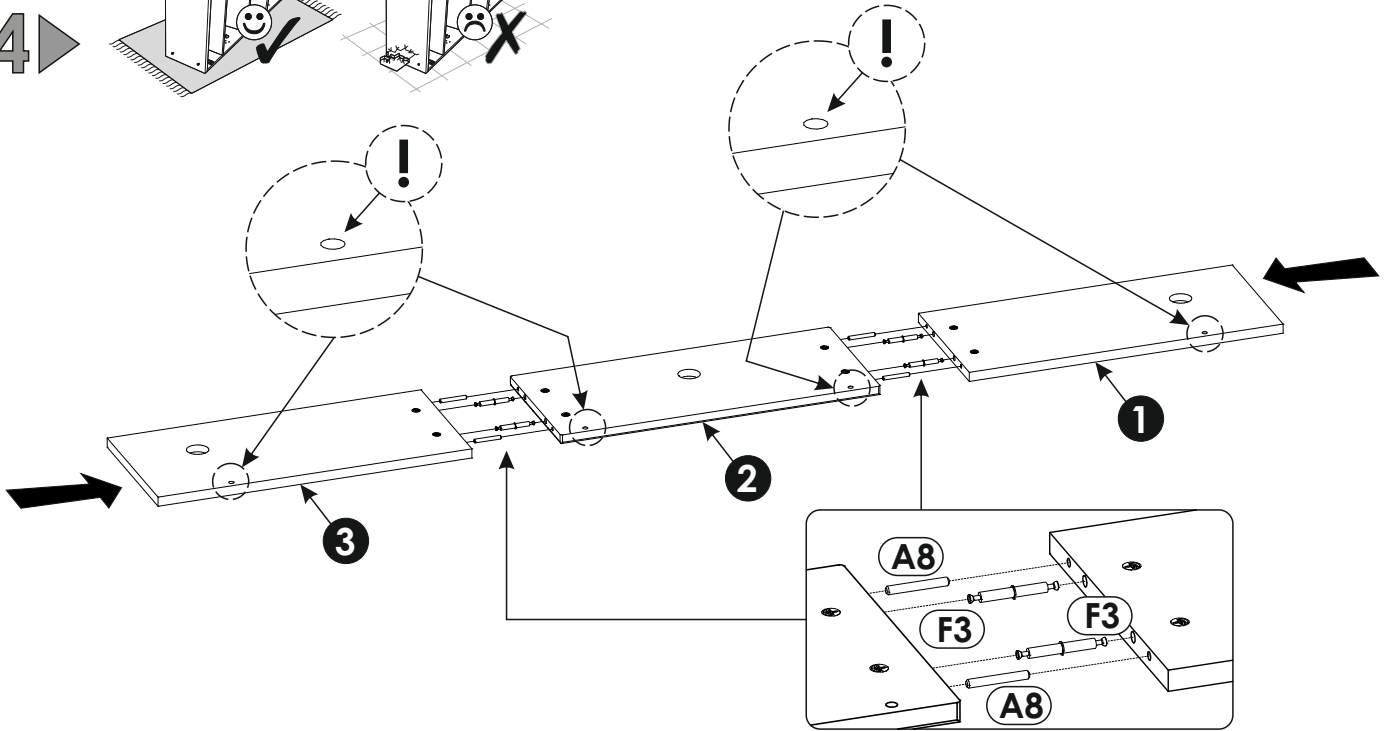
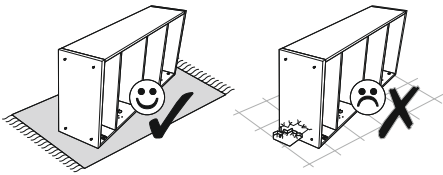
1	530	236	16	x1	1/1
2	540	236	16	x1	1/1
3	530	236	16	x1	1/1
4	1598	184	22	x1	1/1

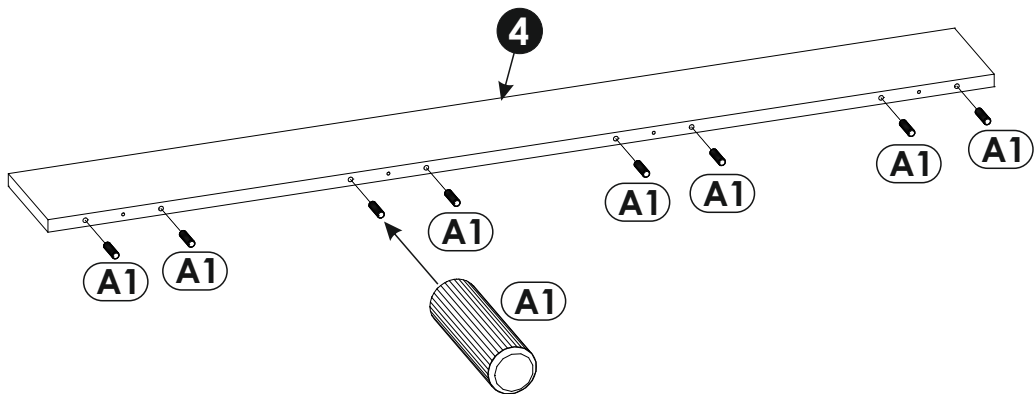
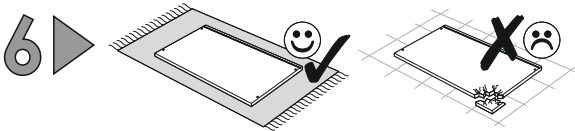
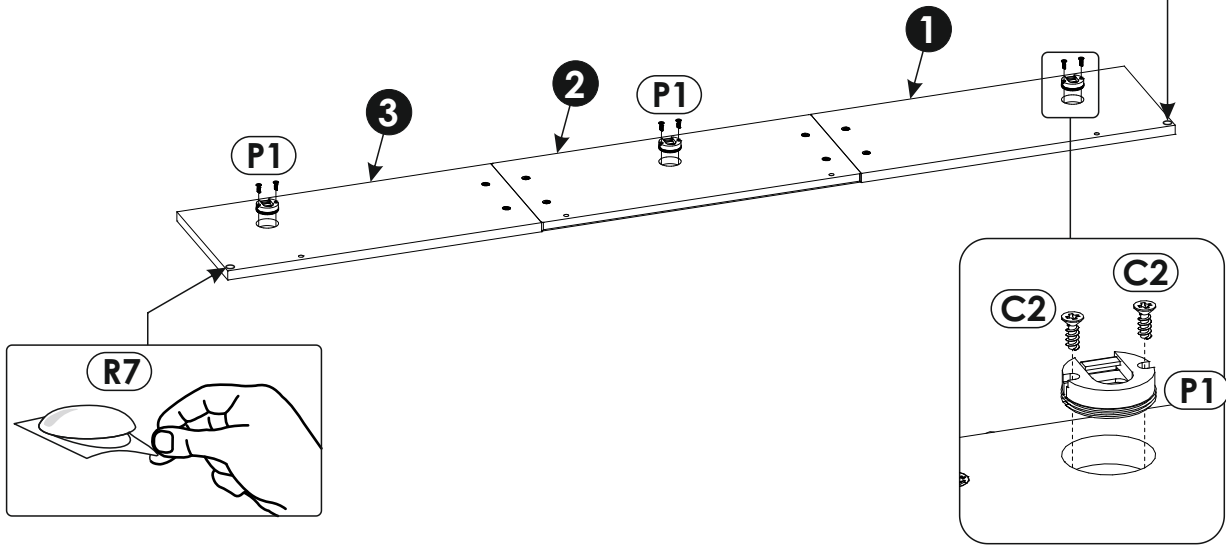
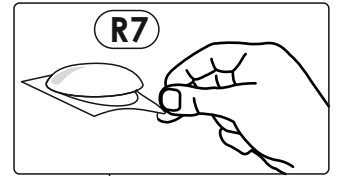
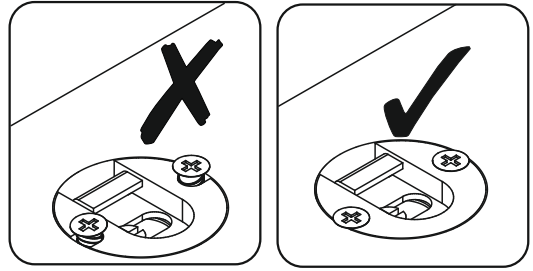
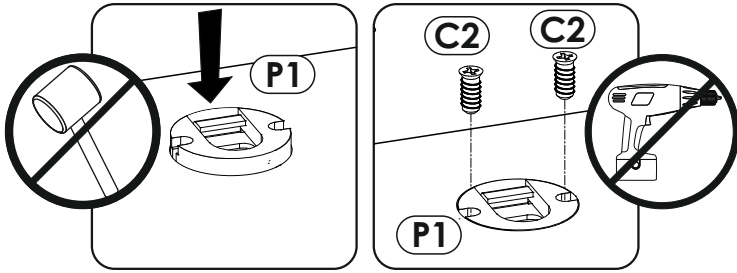
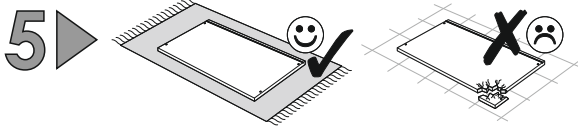


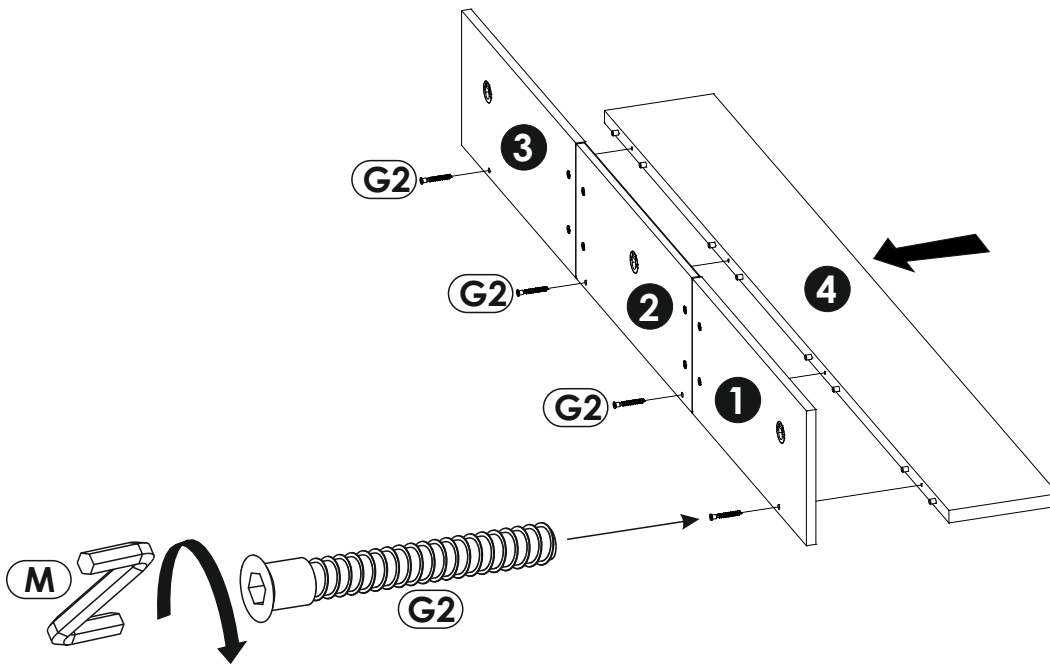
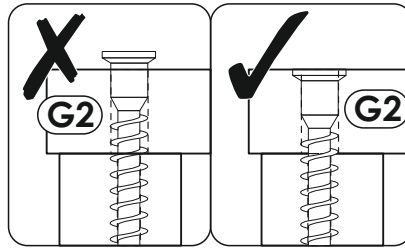
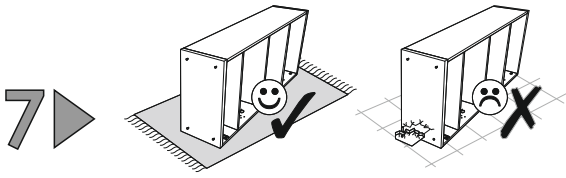
3 ▶



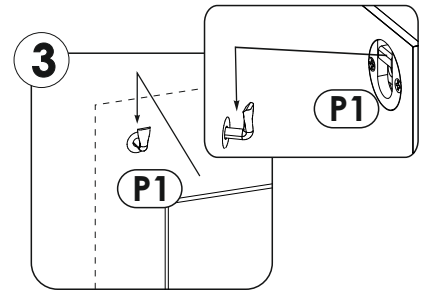
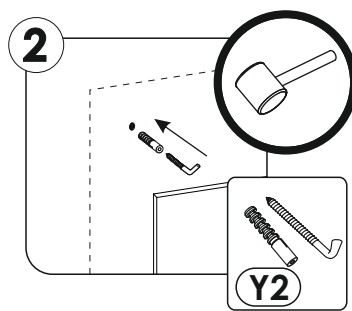
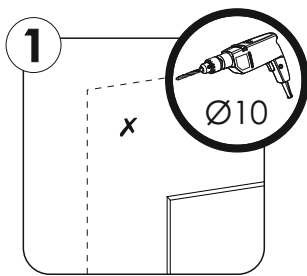
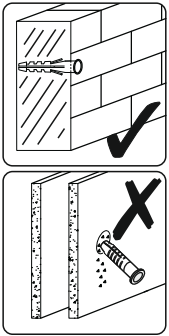
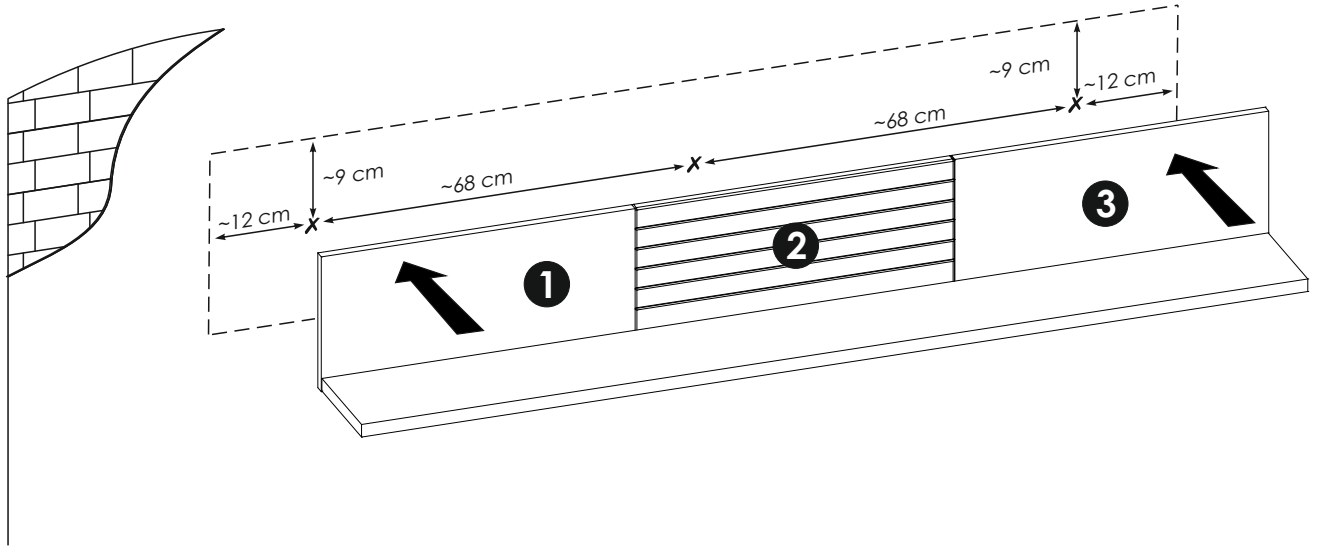
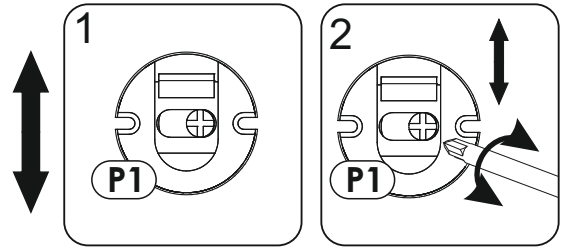
4 ▶



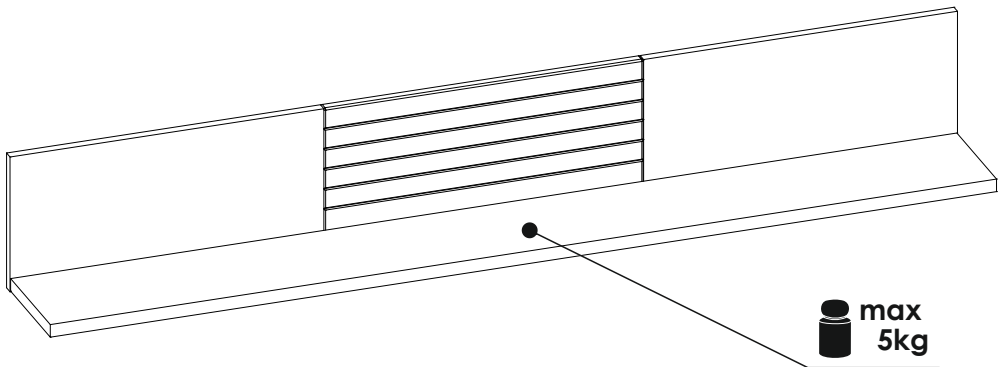


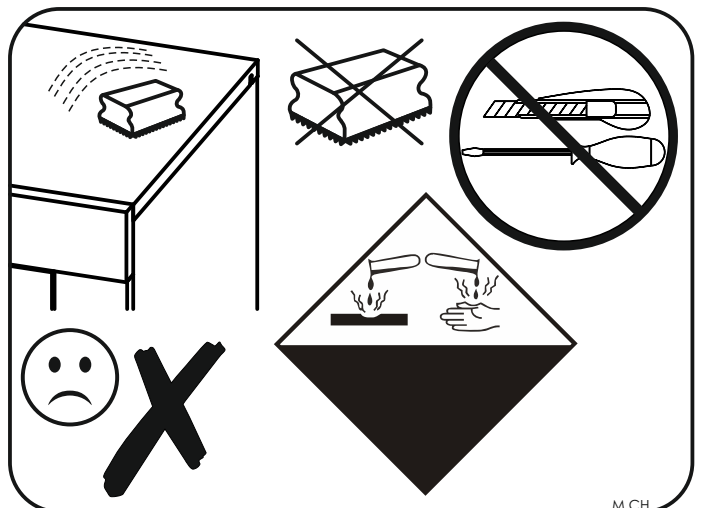


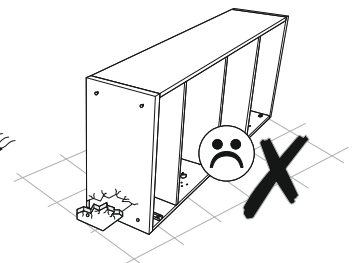
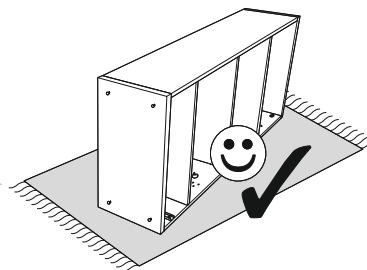
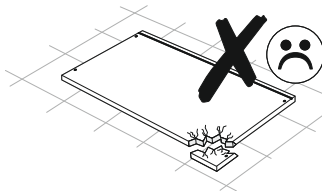
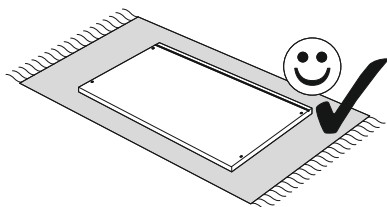
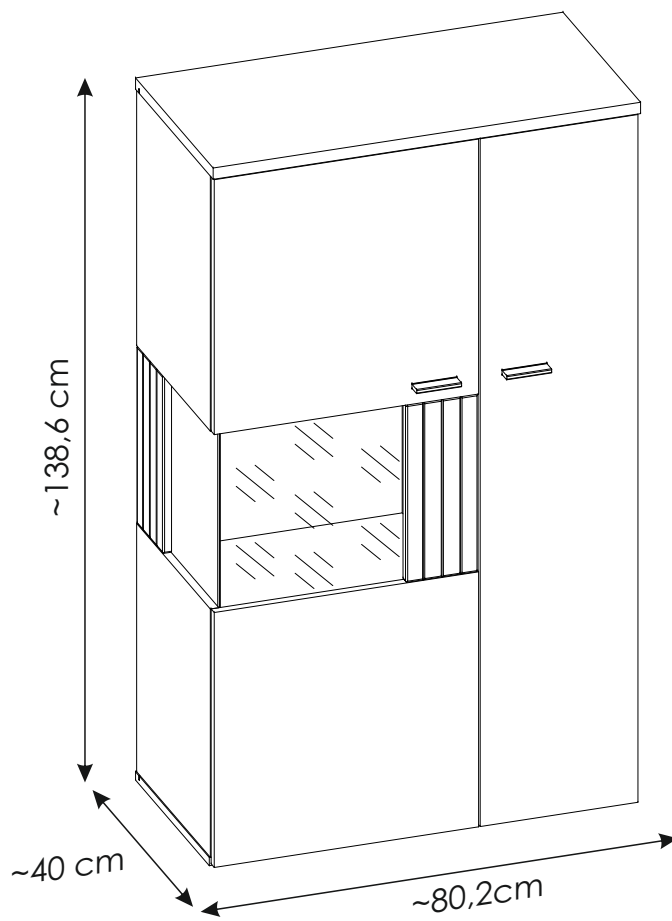
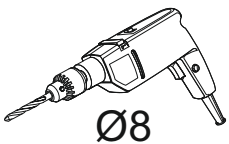
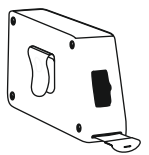
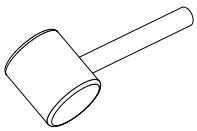
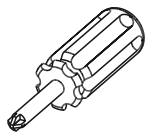
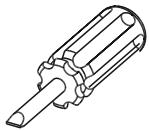
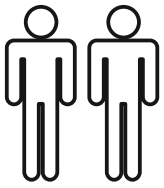
8 ▶

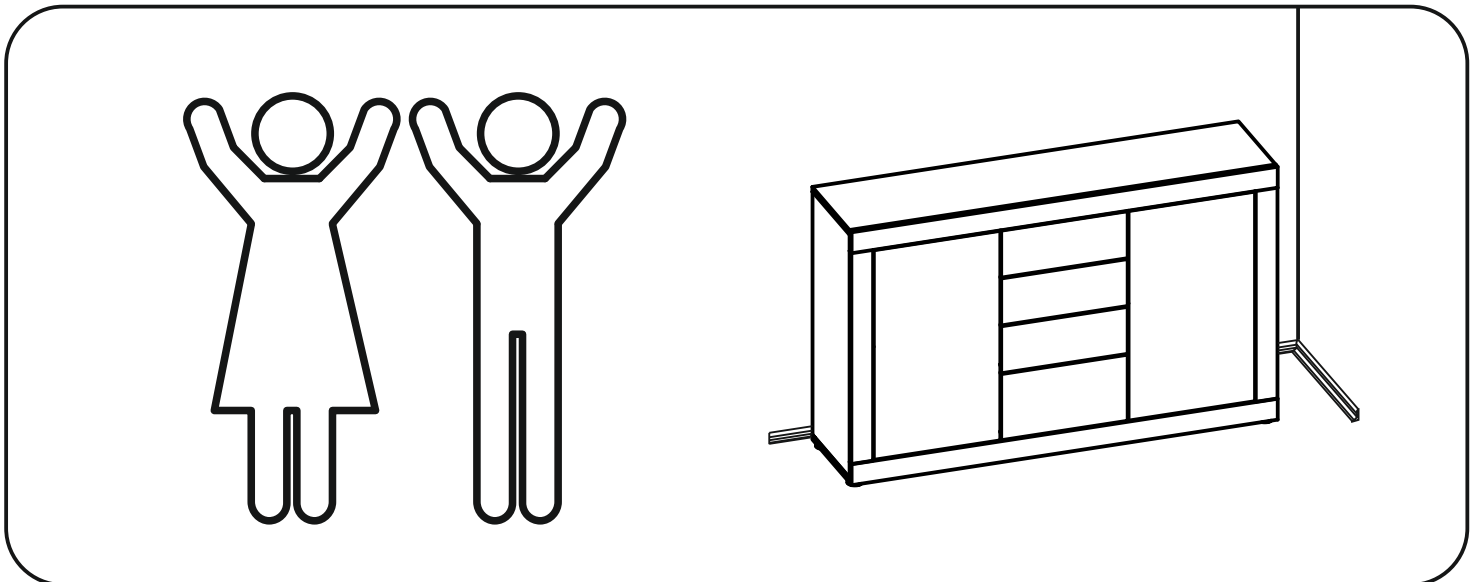
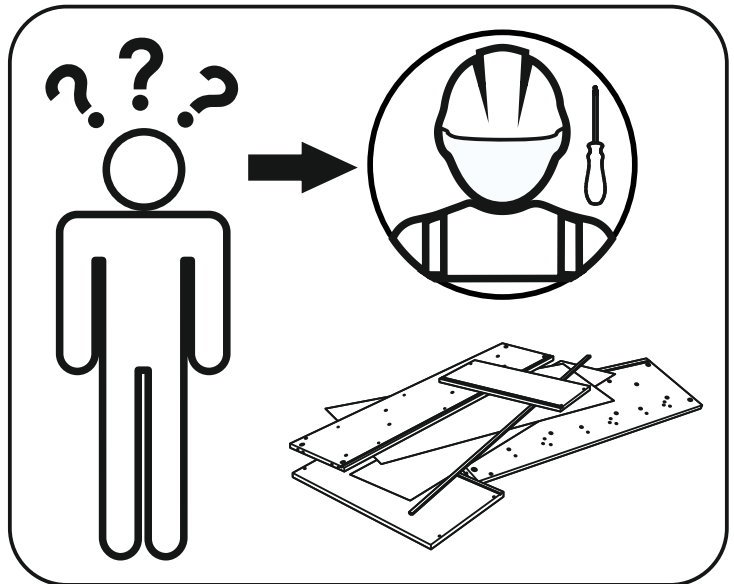
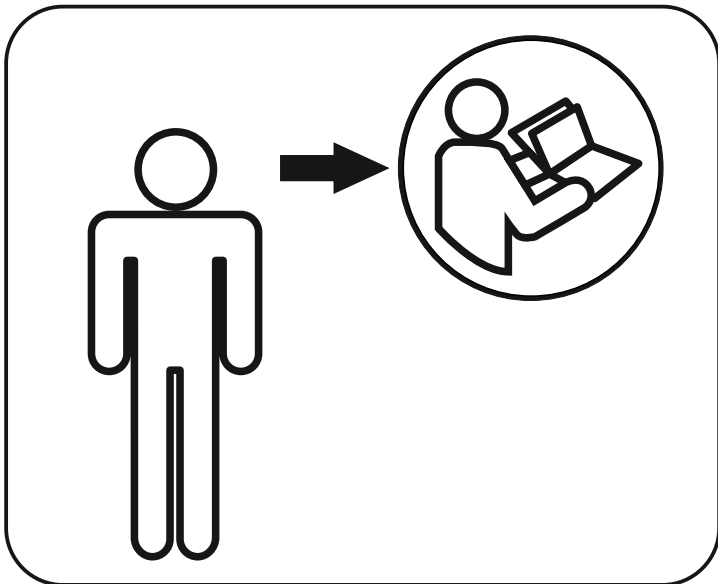
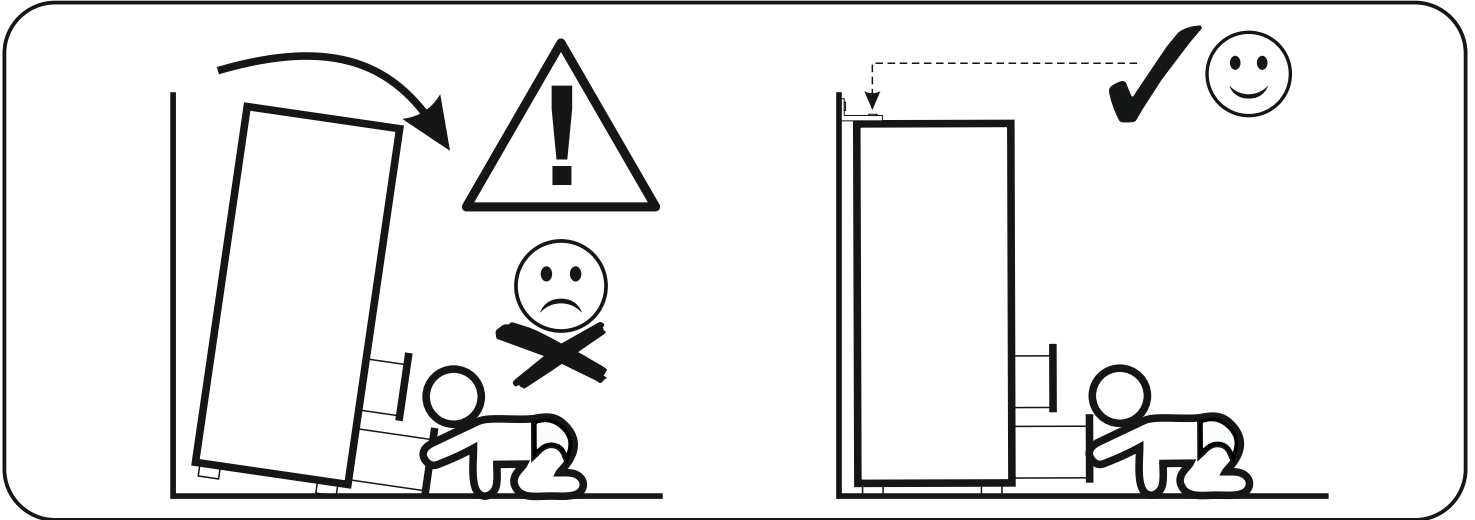
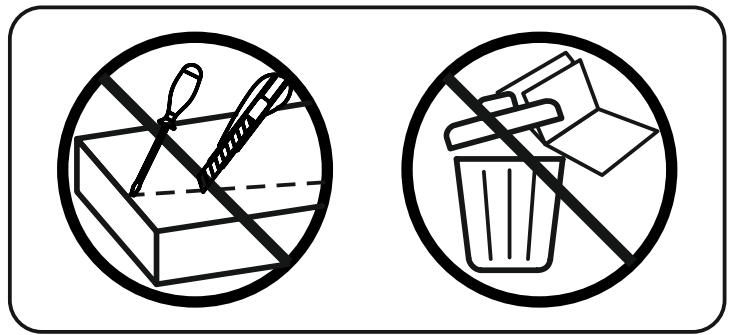
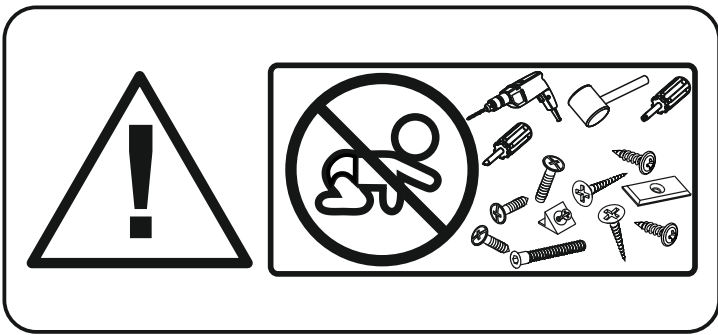


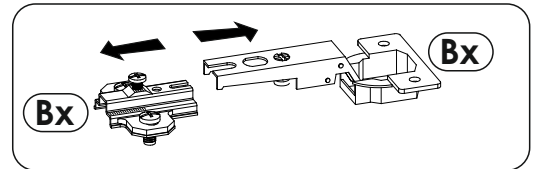
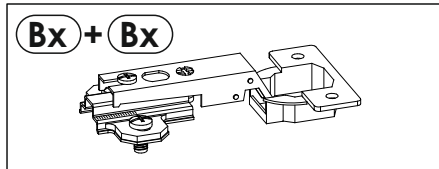
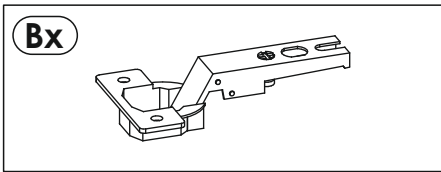
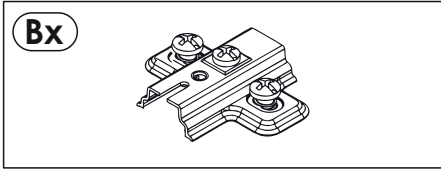
9 ▶



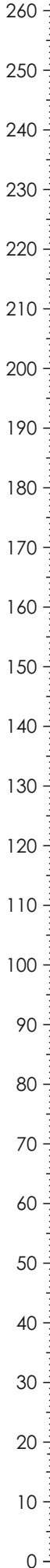




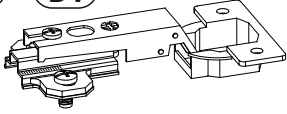
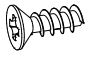
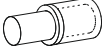
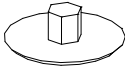


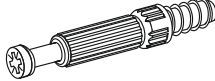
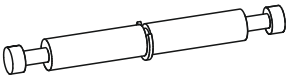
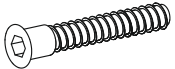

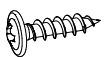


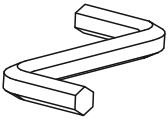

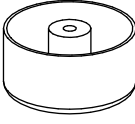
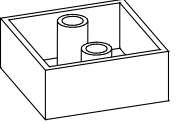

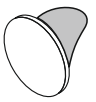
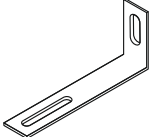
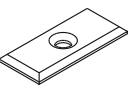
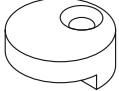
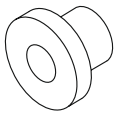
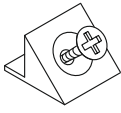
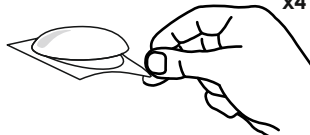
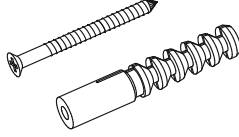
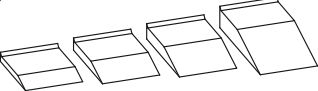


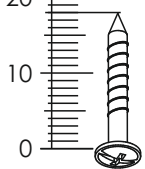
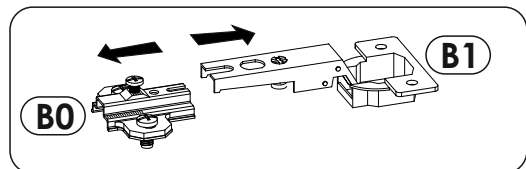


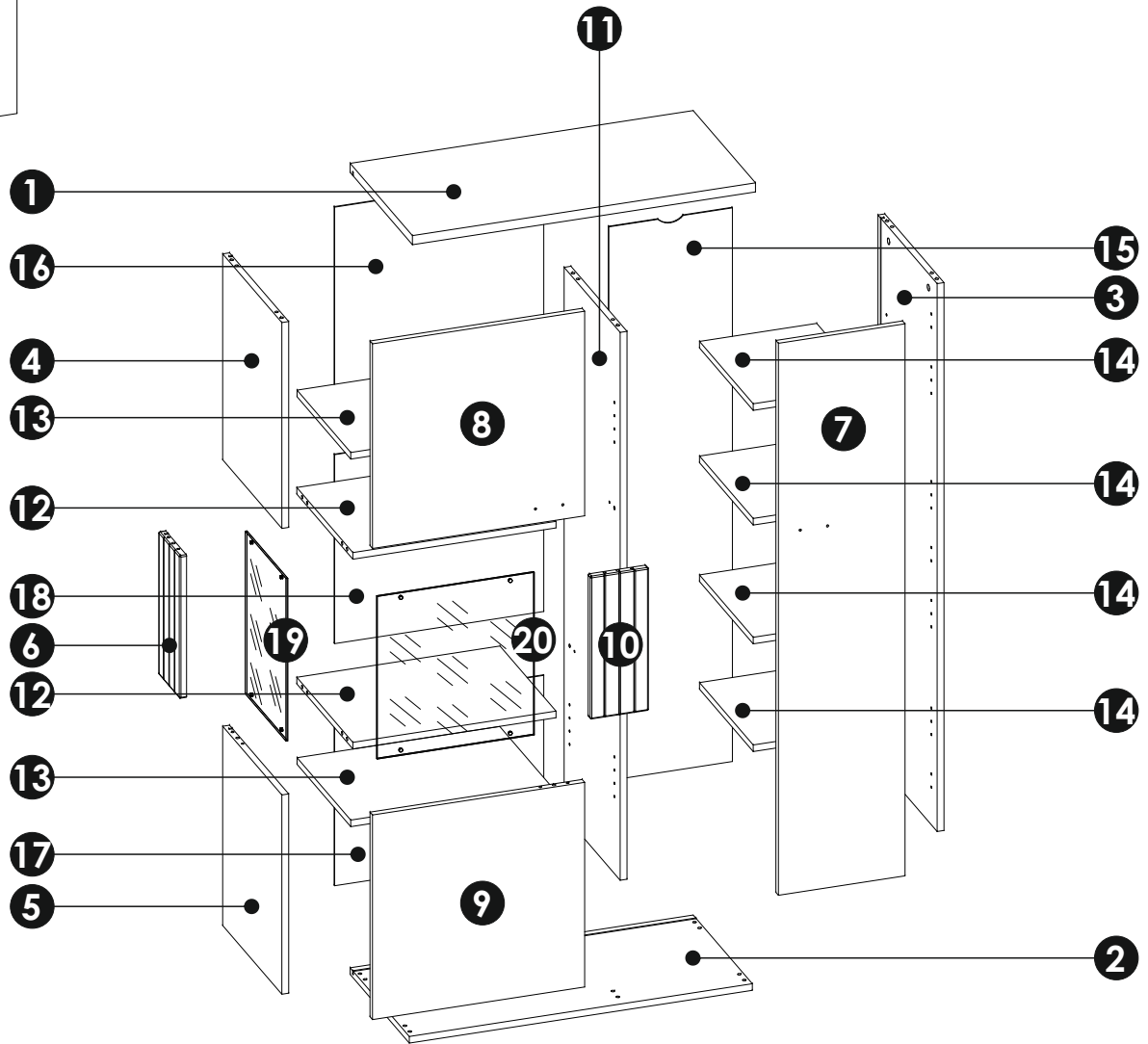
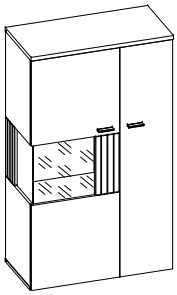


MM



<p>A1 8 x 35 mm x20</p> 	<p>A8 6 x 45 mm x8</p> 	<p>B0 + B1 x7</p> 
<p>C2 5 x 13 mm x14</p> 	<p>D2 x24</p> 	<p>E0 Ø16 x14</p> 
<p>E1 15 x 12 mm x14</p> 	<p>E4 12 x 10 mm x8</p> 	<p>F1 6 x 34 mm x14</p> 
<p>F3 7 x 64 mm x4</p> 	<p>G1 7 x 50 mm x6</p> 	<p>H1 x2</p>  <p>L - 84 mm</p>
<p>I2 4 x 16 mm x10</p> 	<p>I4 3,5 x 27 mm x8</p> 	<p>I5 3,5 x 27 mm x4</p> 
<p>M x1</p> 	<p>N1 3 x 16 mm x20</p> 	<p>O1 x1</p> 
<p>O4 x4</p> 	<p>P15 x1</p> 	<p>P16 x8</p> 
<p>Q9 x2</p> 	<p>R1 x14</p> 	<p>R2 x4</p> 
<p>R3 x8</p> 	<p>R4 x10</p> 	<p>R8 x4</p> 
<p>S13 x2</p>  <p>Ø8</p>	<p>Z x1</p> 	

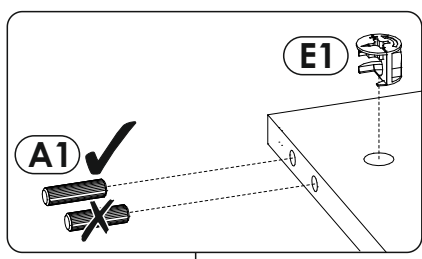
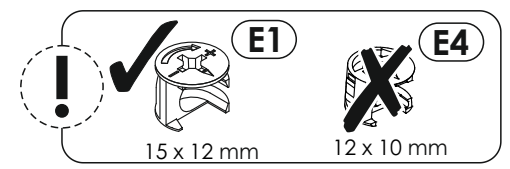
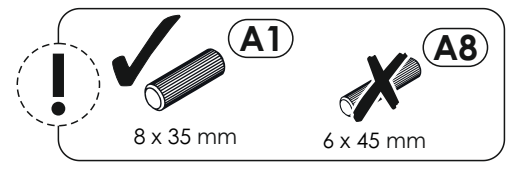
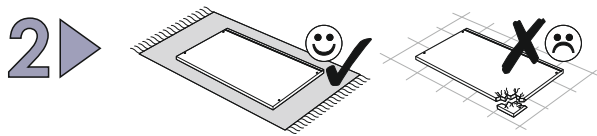
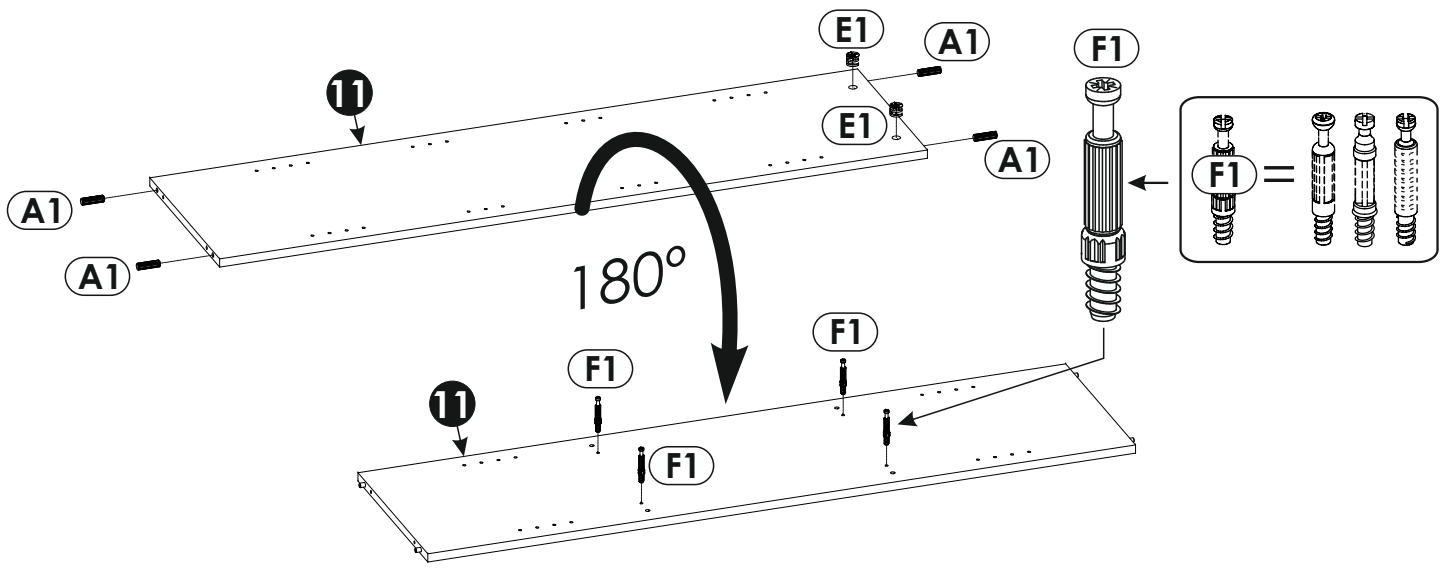
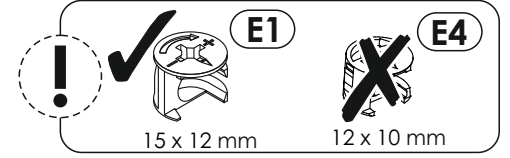
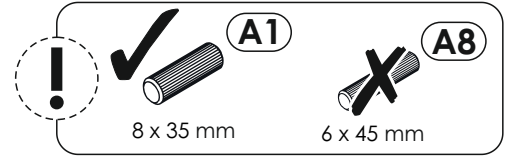
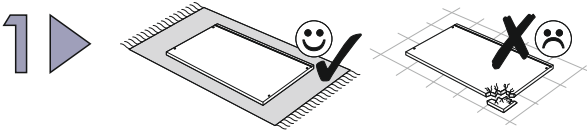
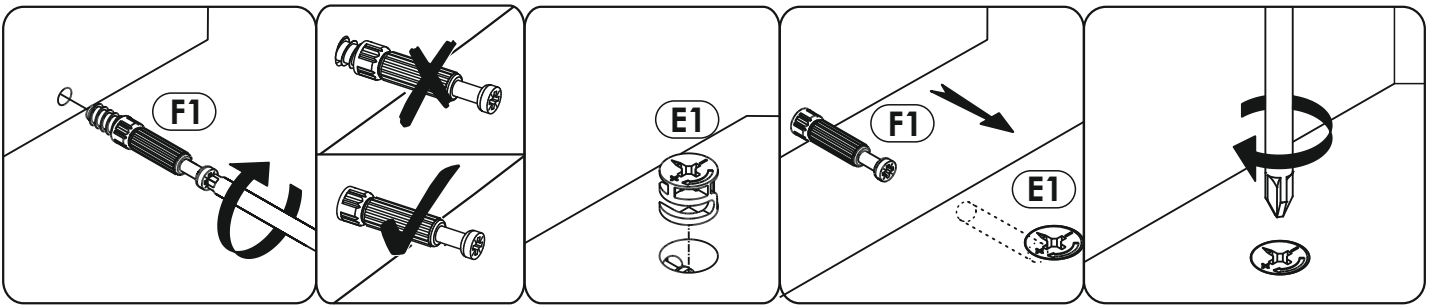




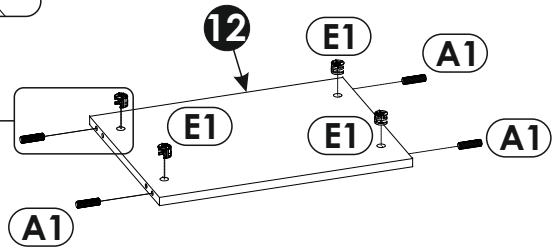
1	802	400	22	x1	1/2
2	800	380	16	x1	2/2
3	1328	380	16	x1	2/2
4	499	380	16	x1	2/2
5	483	380	16	x1	2/2
6	346	136	16	x1	2/2
7	1338	296	16	x1	2/2

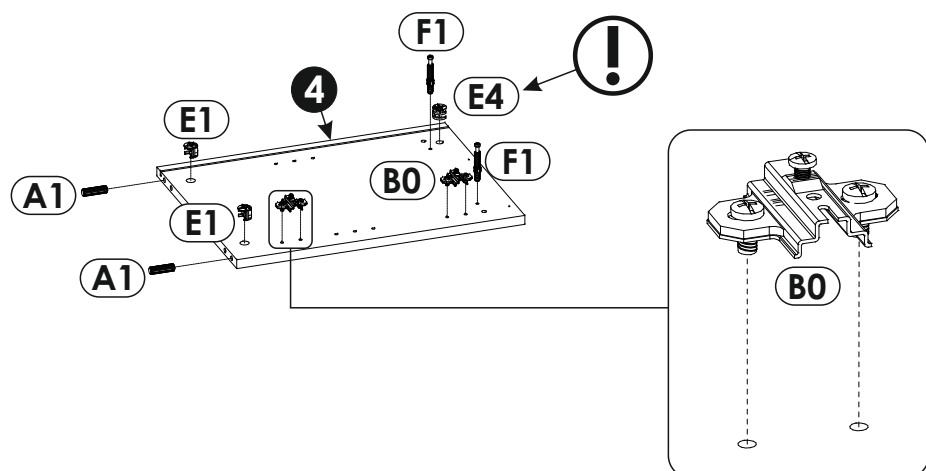
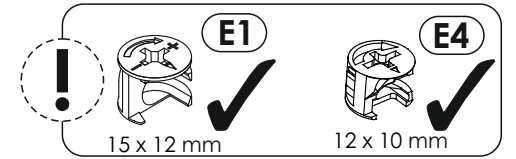
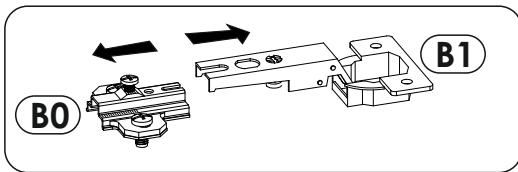
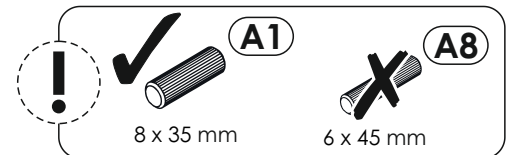
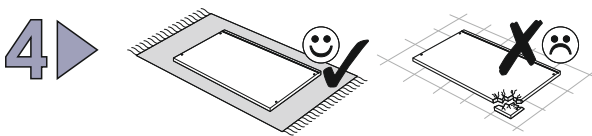
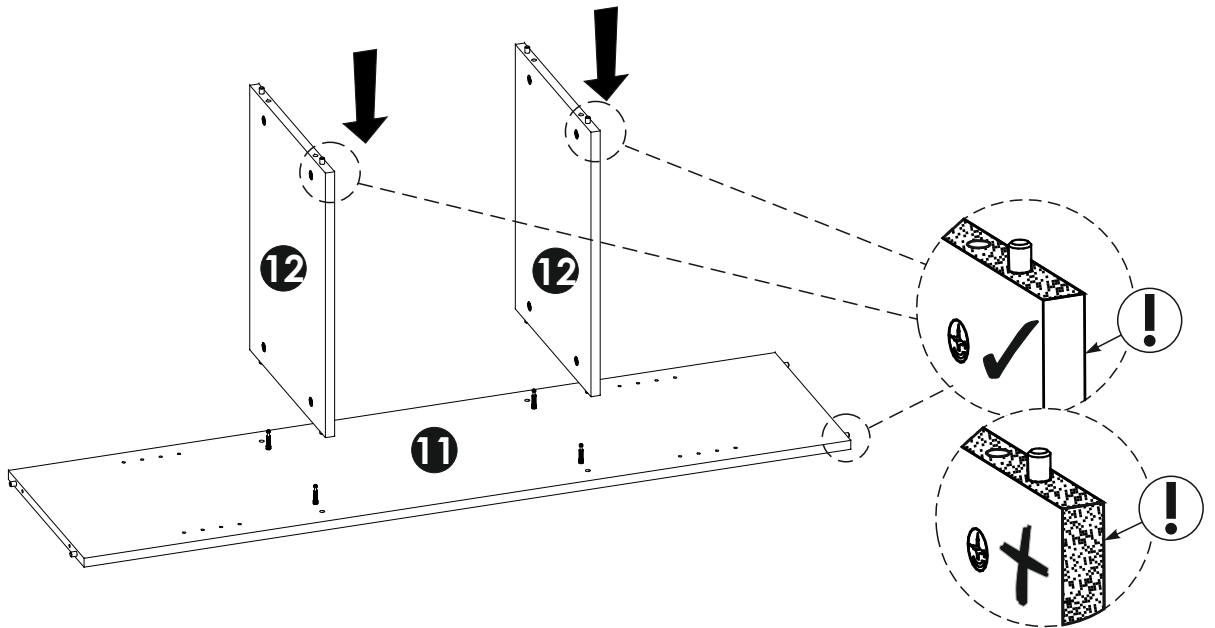
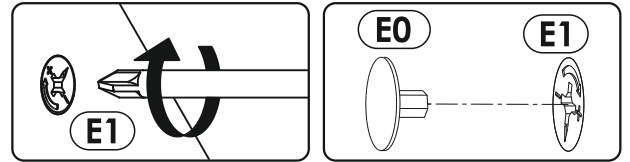
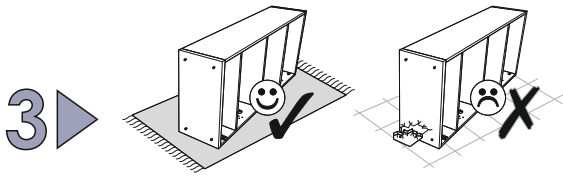
8	496	496	16	x1	1/2
9	496	496	16	x1	1/2
10	346	136	16	x1	2/2
11	1328	360	16	x1	2/2
12	475	360	16	x2	1/2
13	474	345	16	x2	1/2
14	274	345	16	x4	1/2

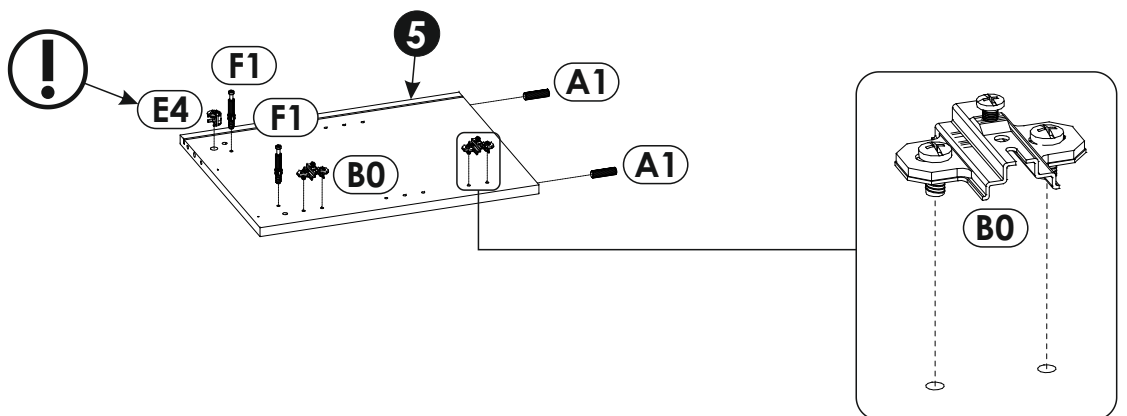
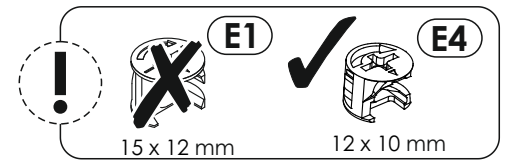
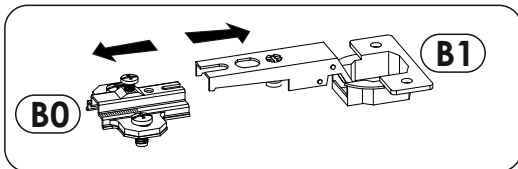
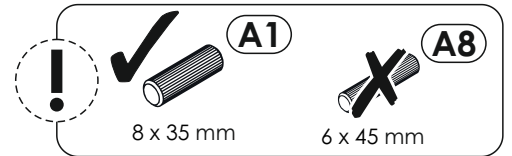
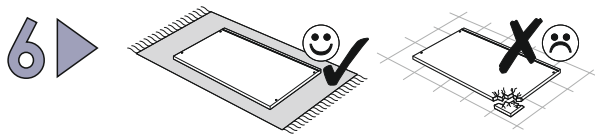
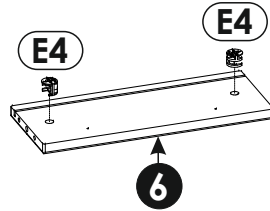
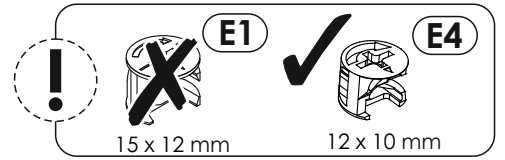
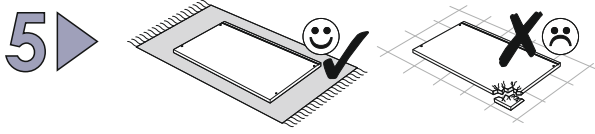
15	1342	289	3	x1	2/2
16	448	489	3	x1	1/2
17	432	489	3	x1	1/2
18	458	489	3	x1	1/2
19	394	262	4	x1	2/2
20	394	367	4	x1	2/2



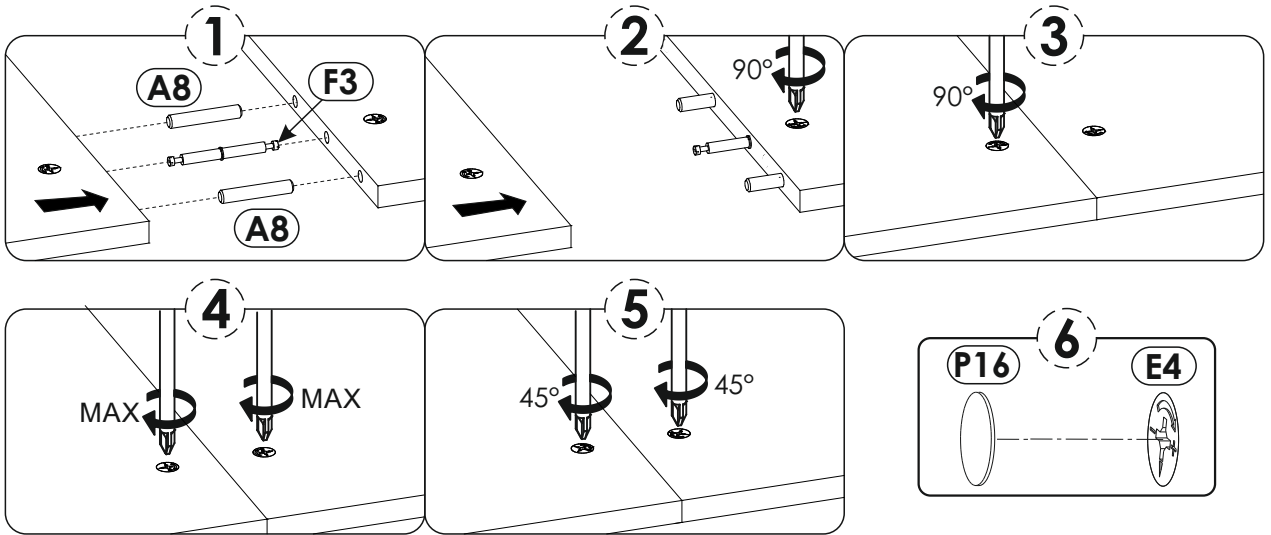
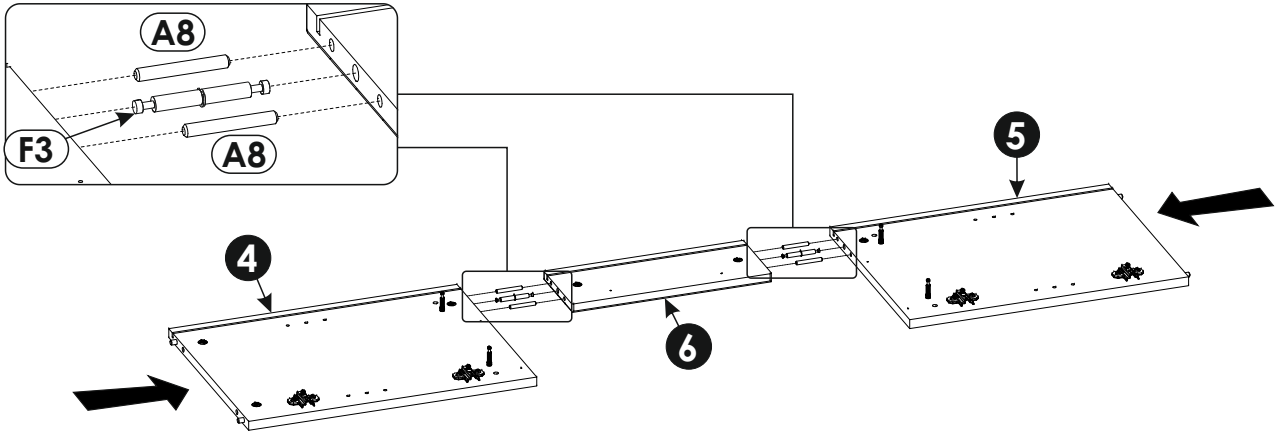
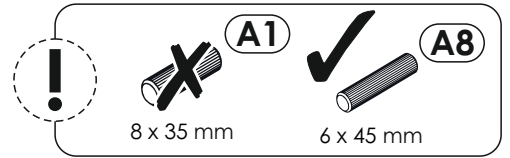
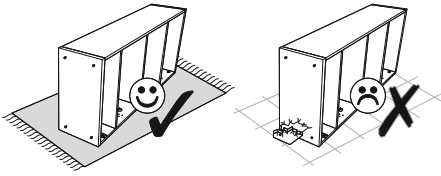
x2



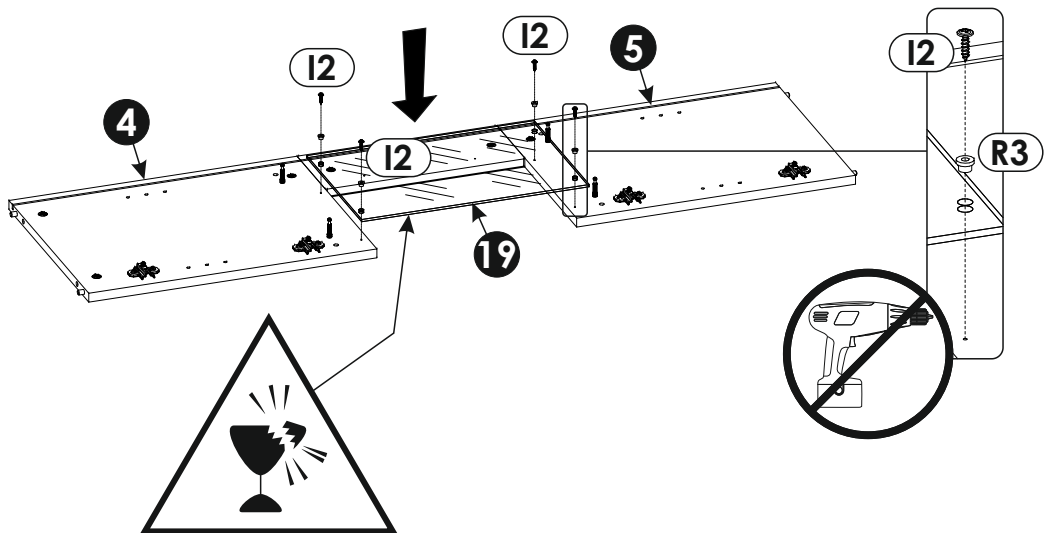
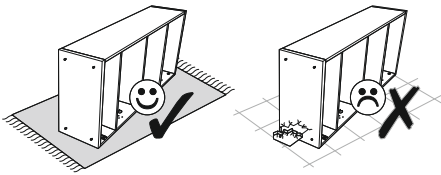


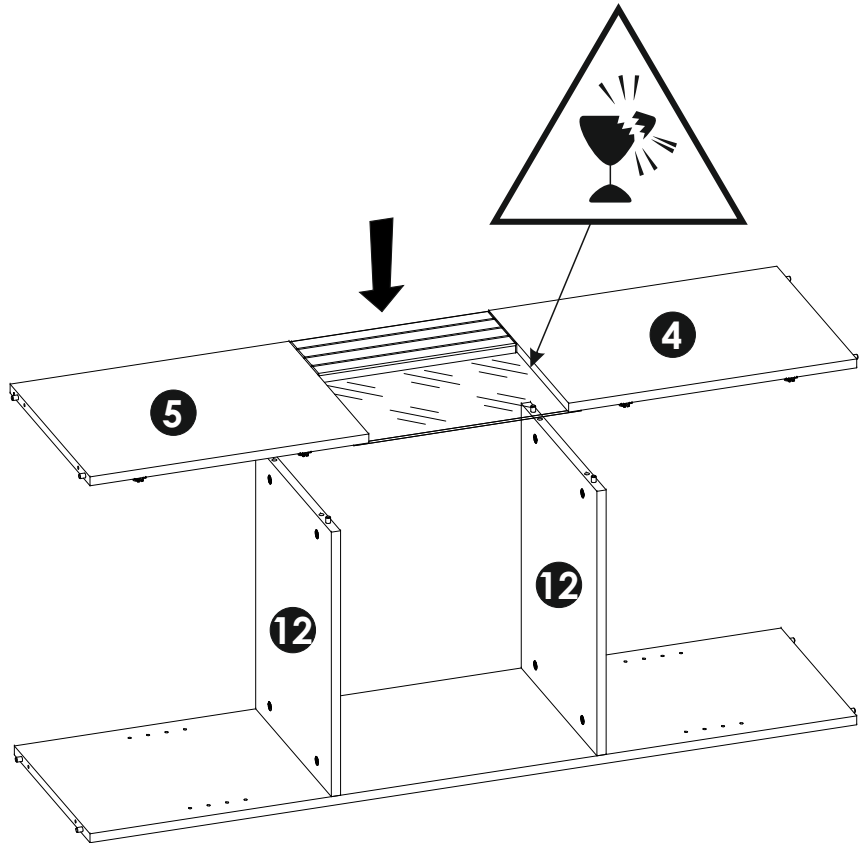
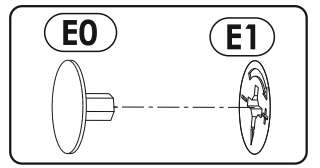
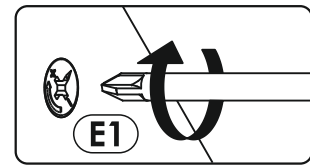
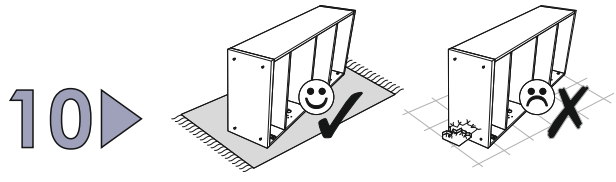
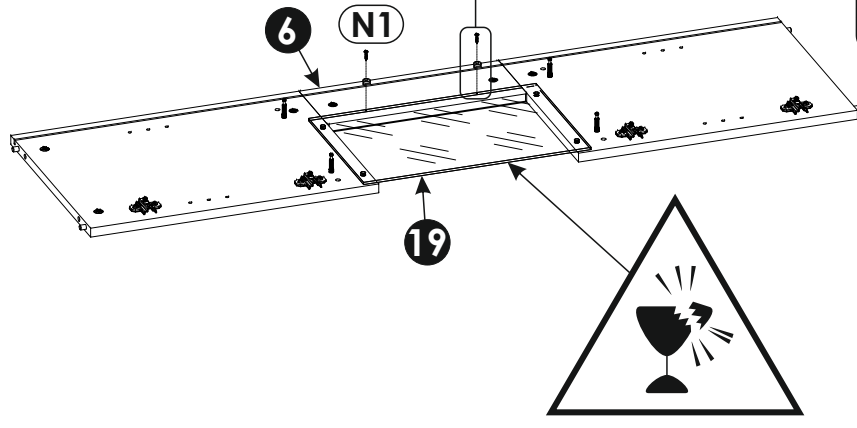
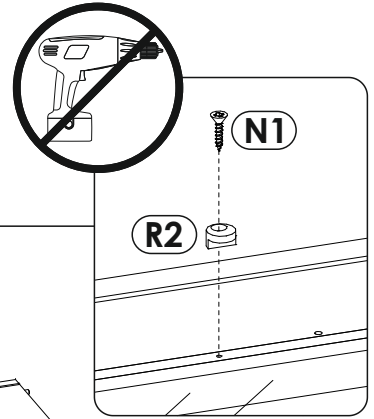
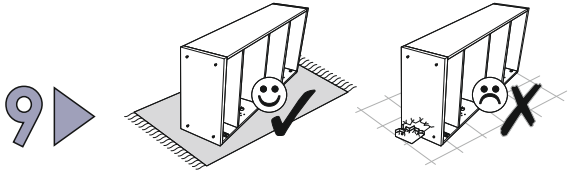


7 ▶

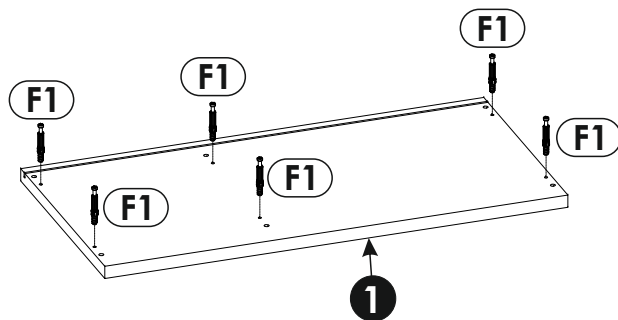
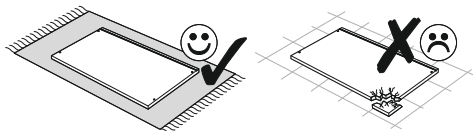


8 ▶

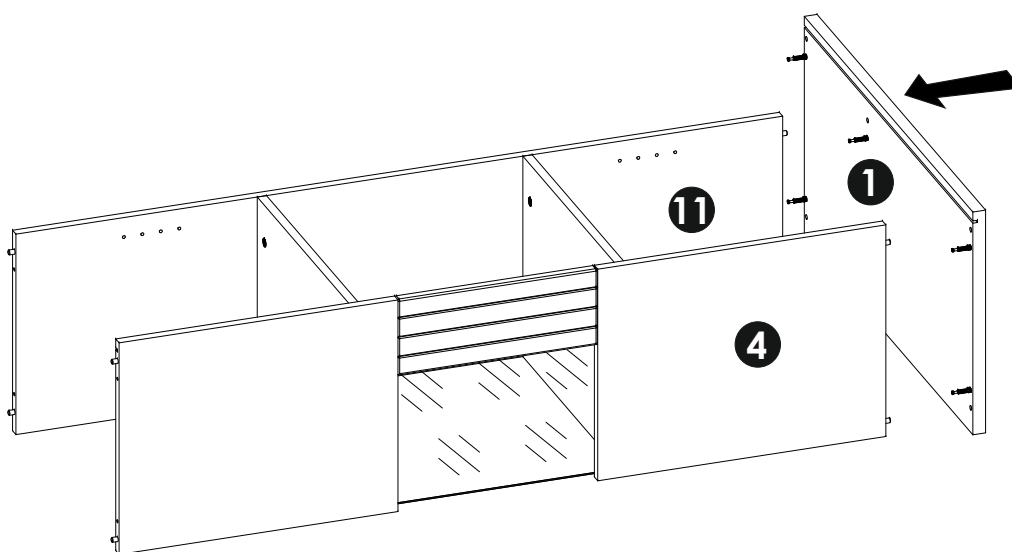
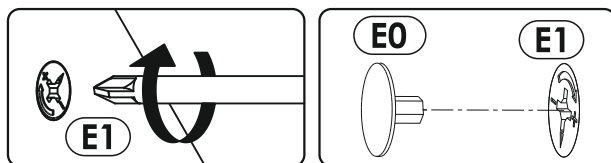
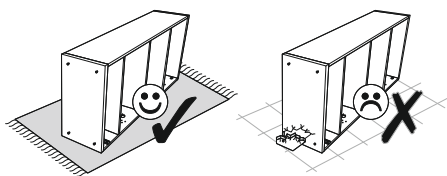




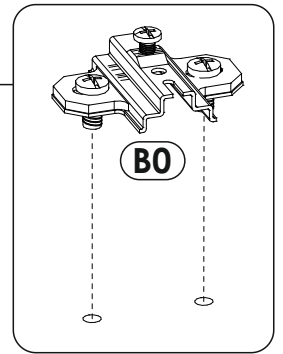
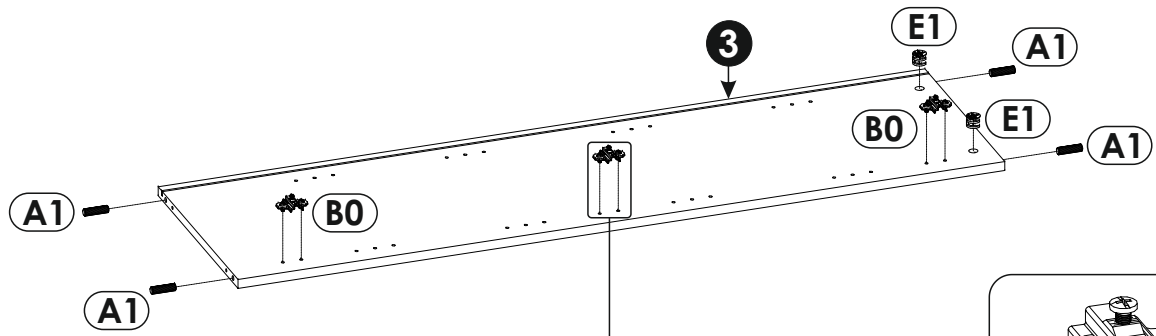
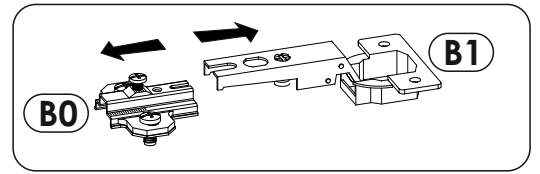
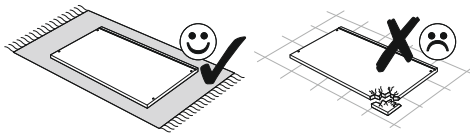
11 ▶



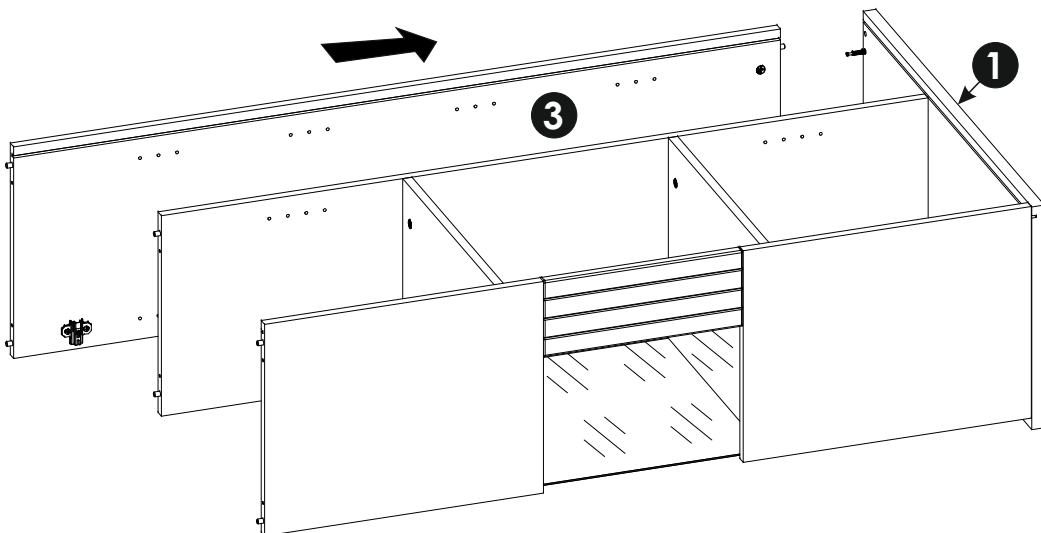
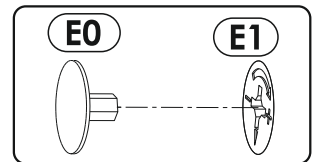
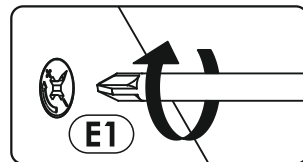
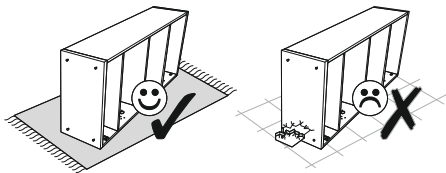
12 ▶



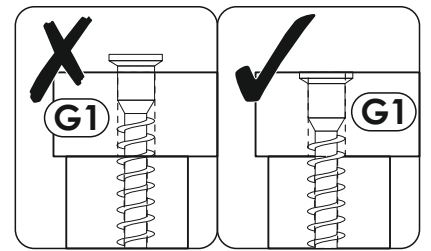
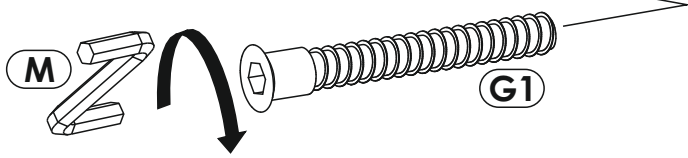
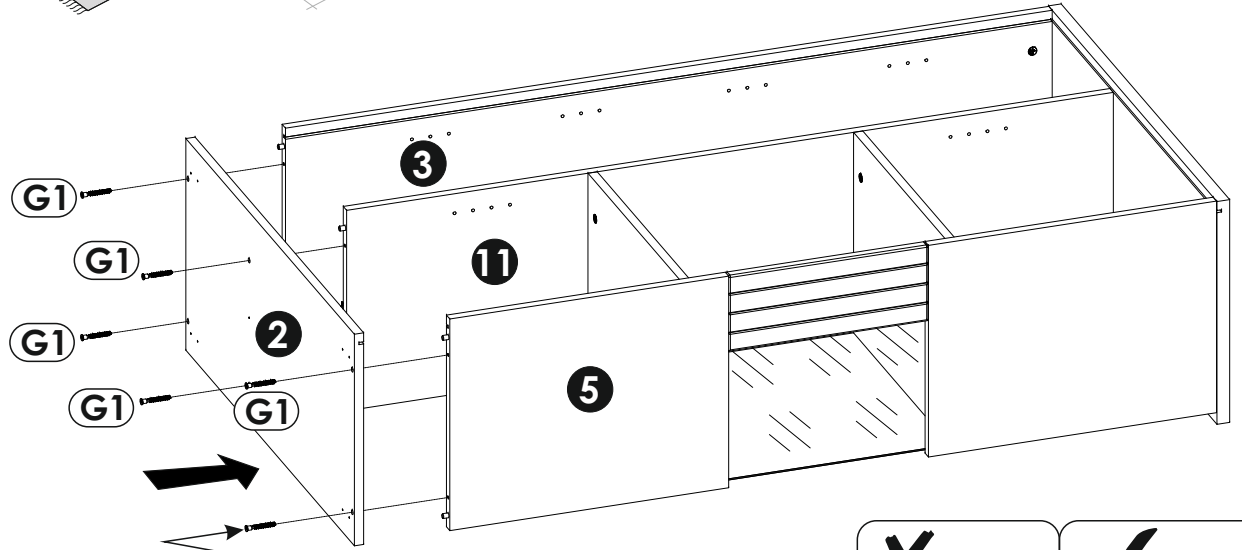
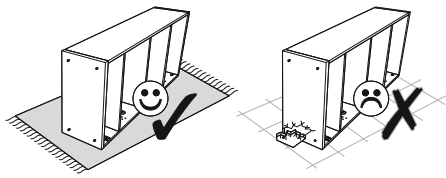
13 ▶



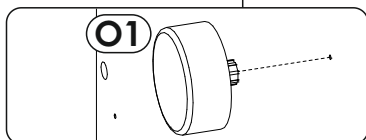
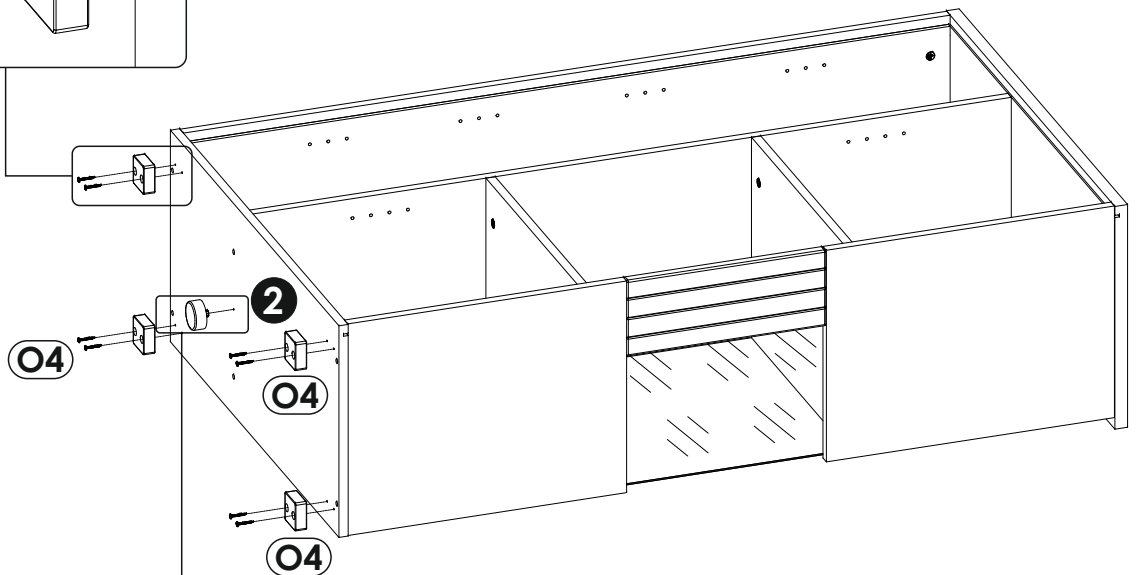
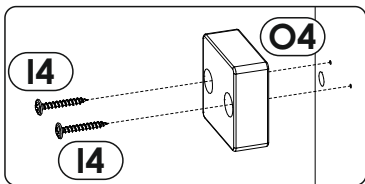
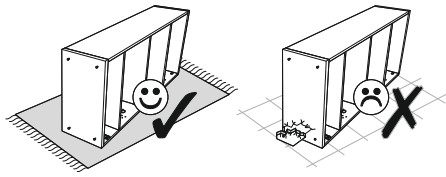
14 ▶



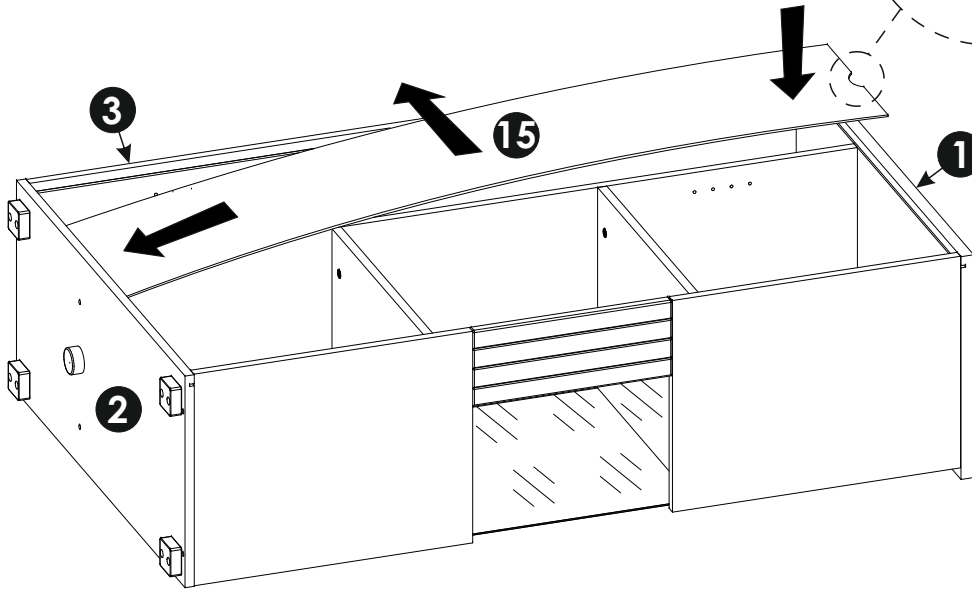
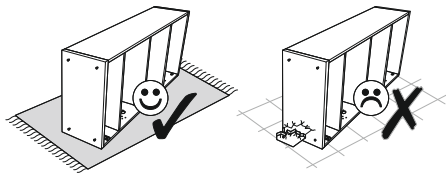
15▶



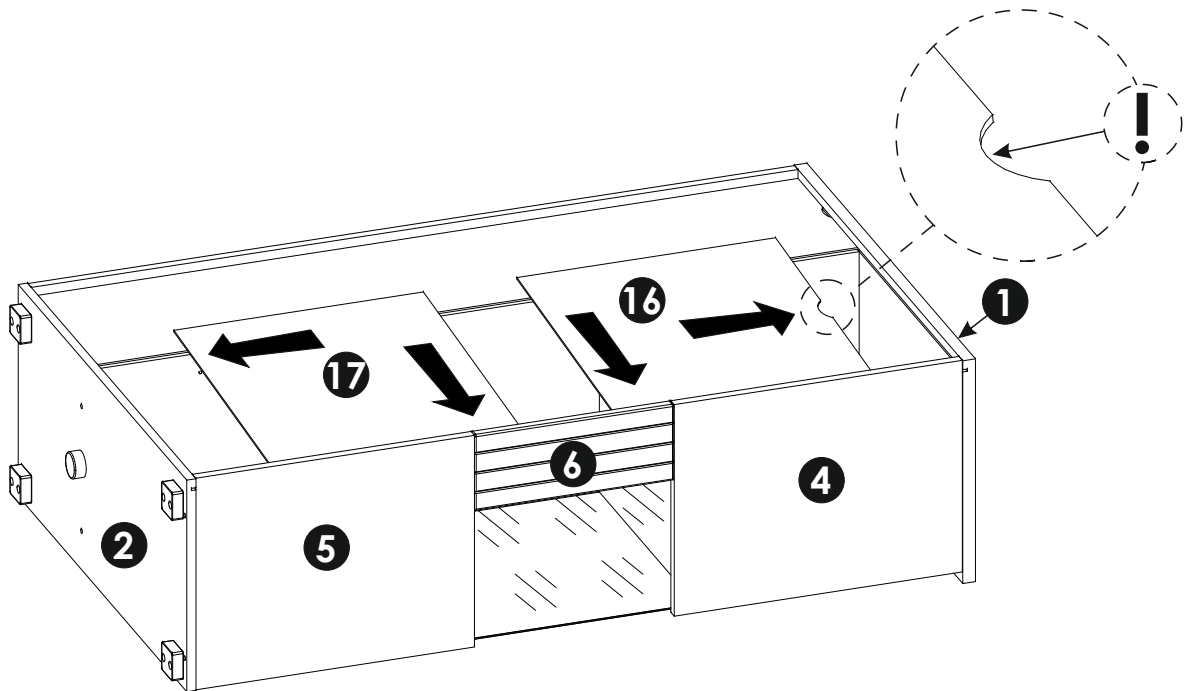
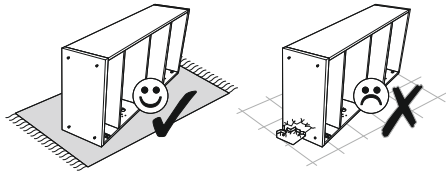
16▶

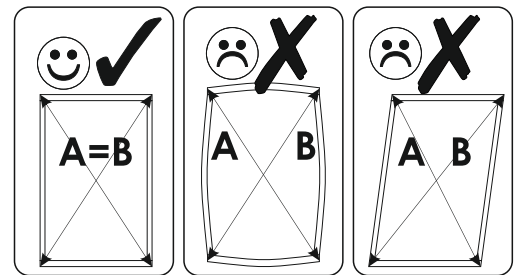
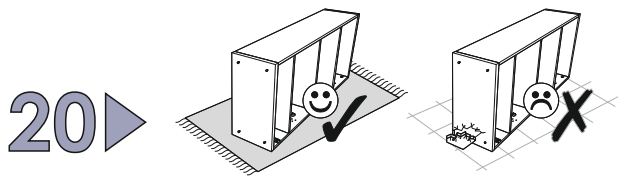
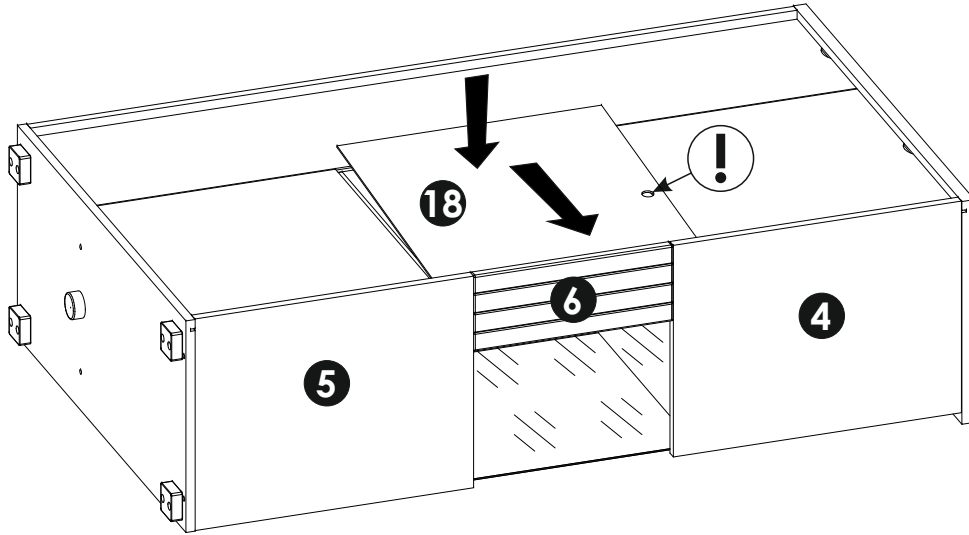
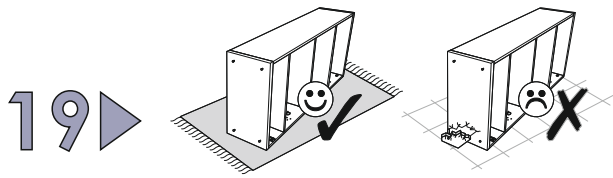


17 ▶

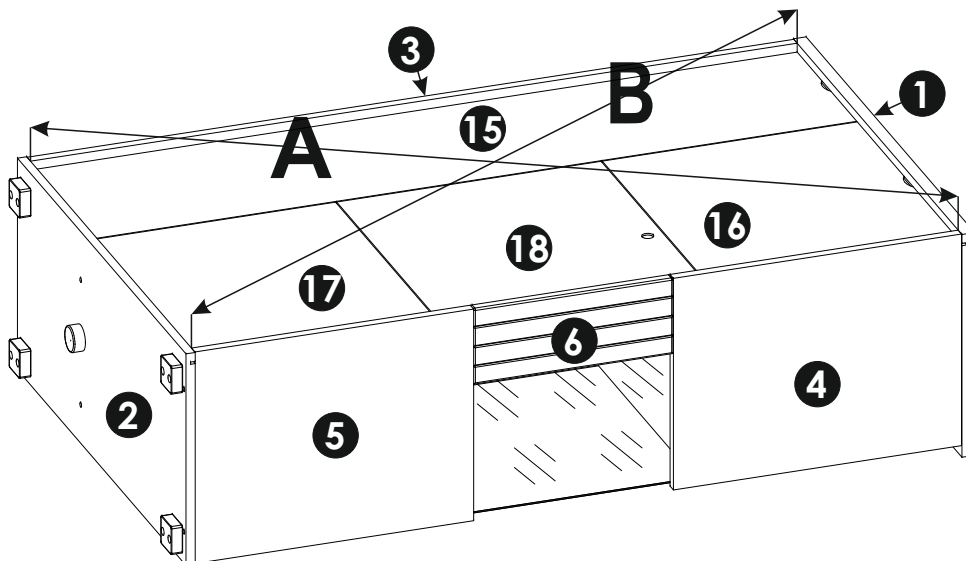


18 ▶

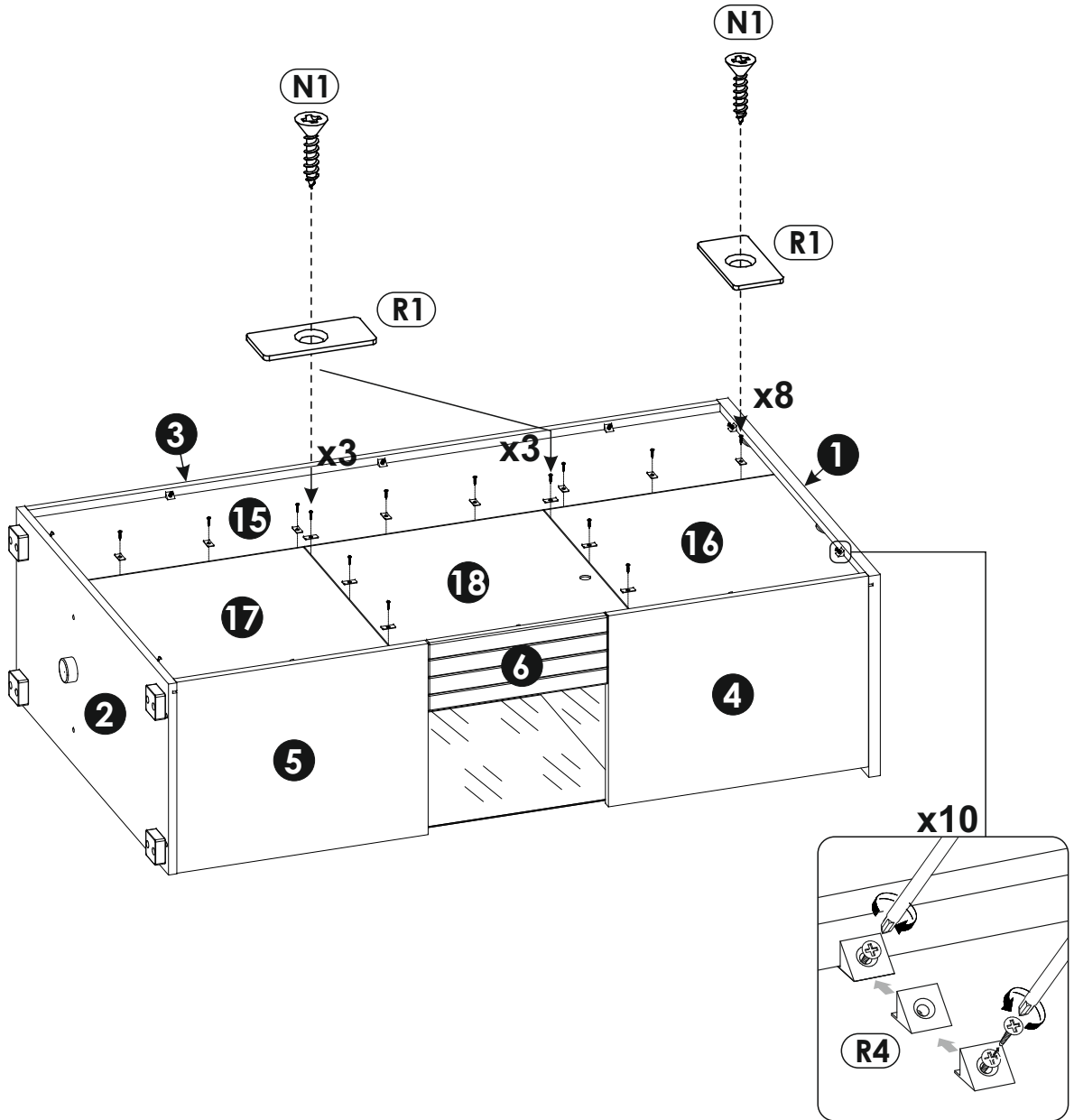
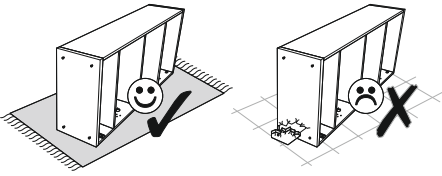


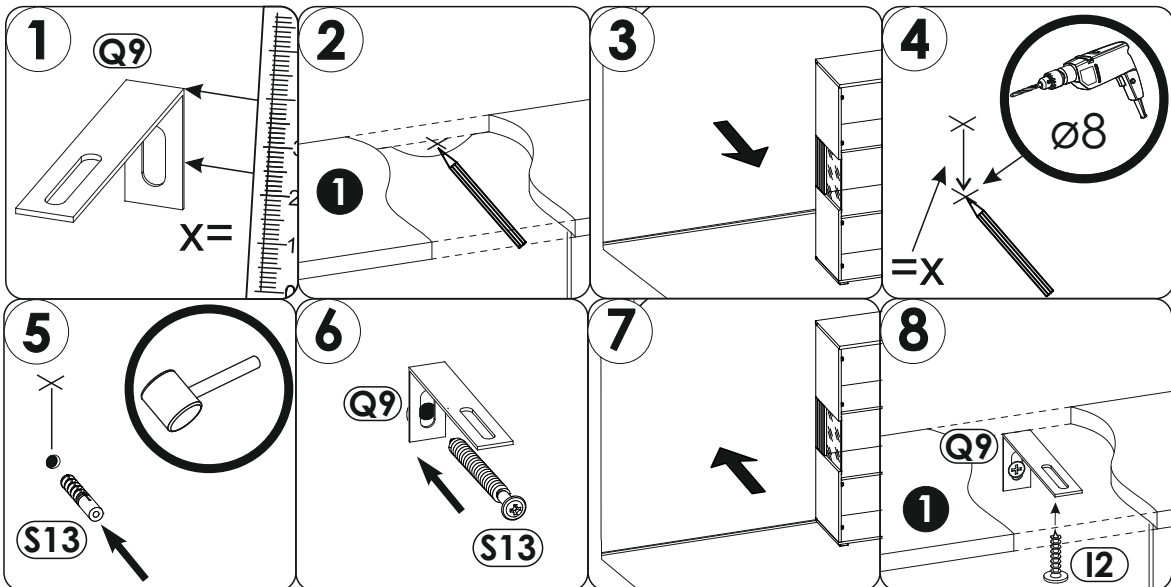
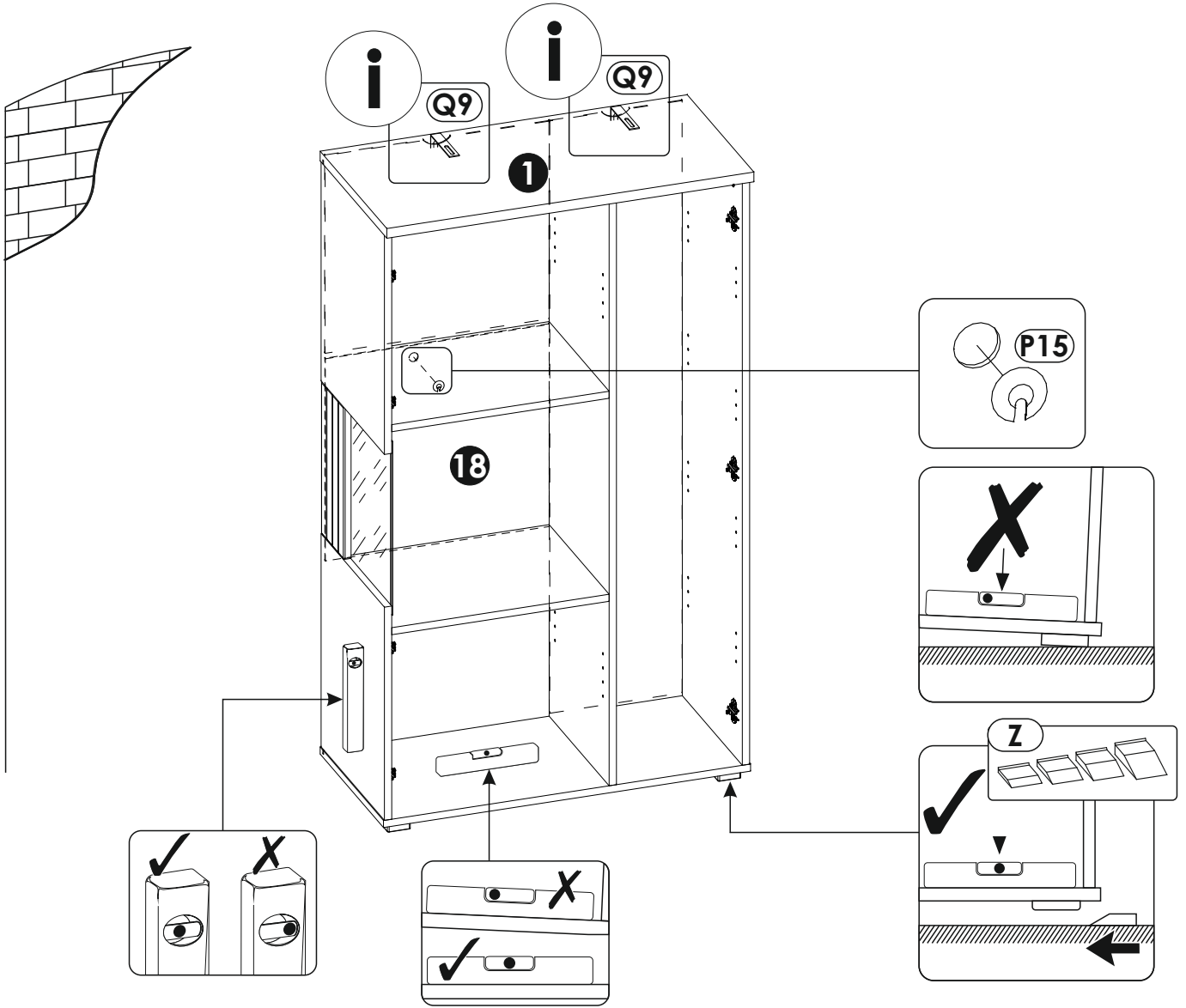
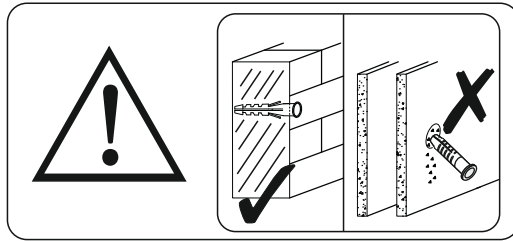


A=B

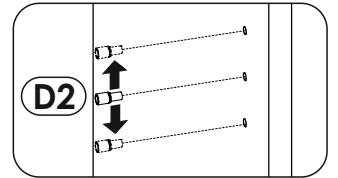
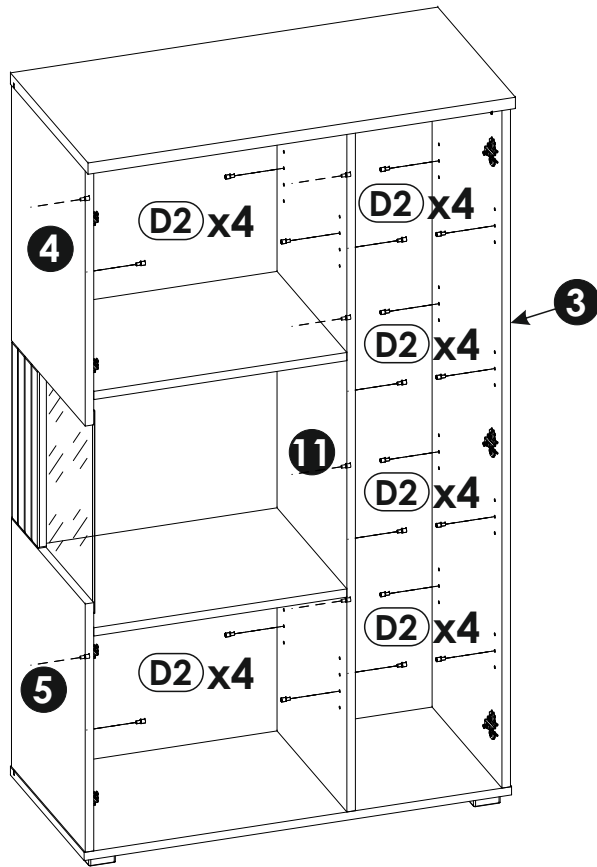


21 ▶

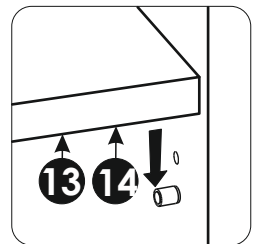
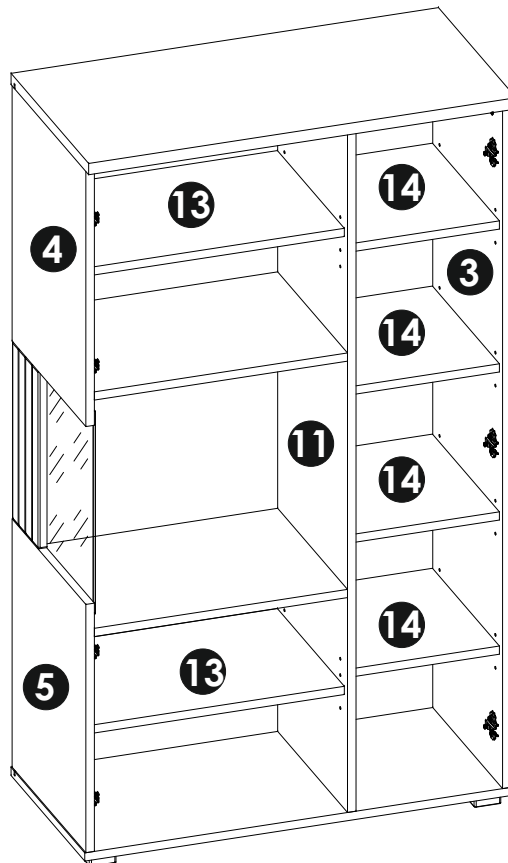




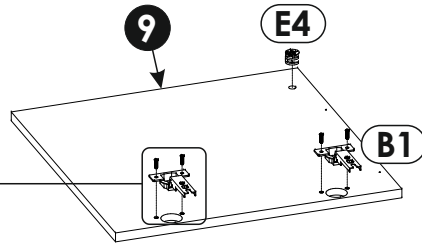
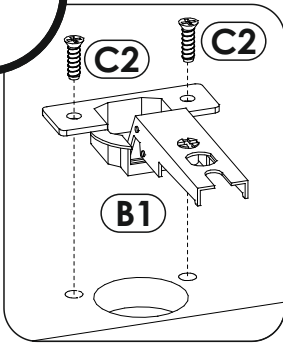
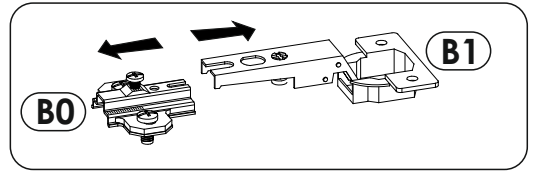
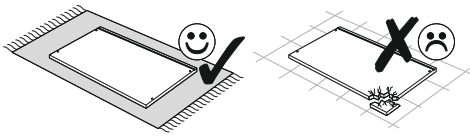
23 ▶



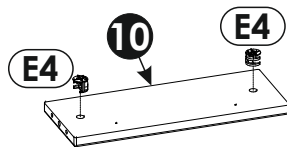
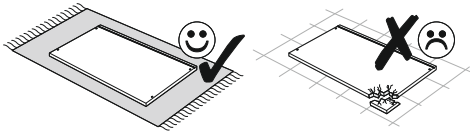
24 ▶



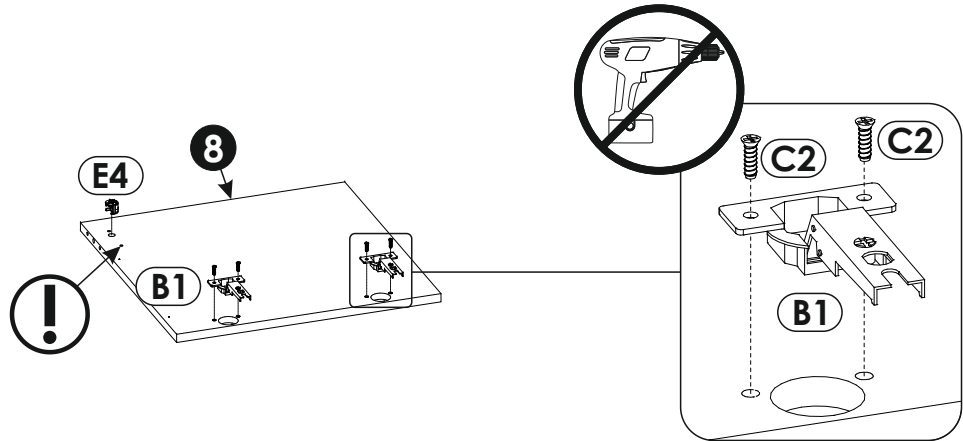
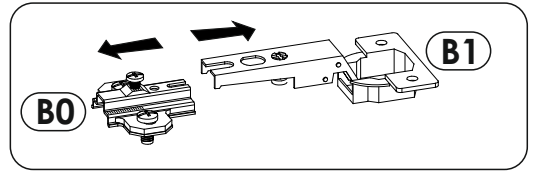
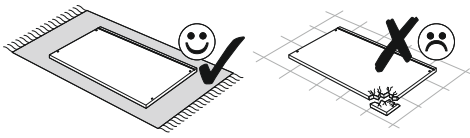
25 ▶



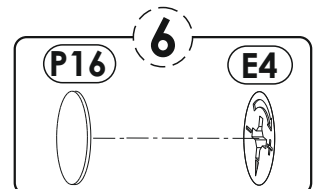
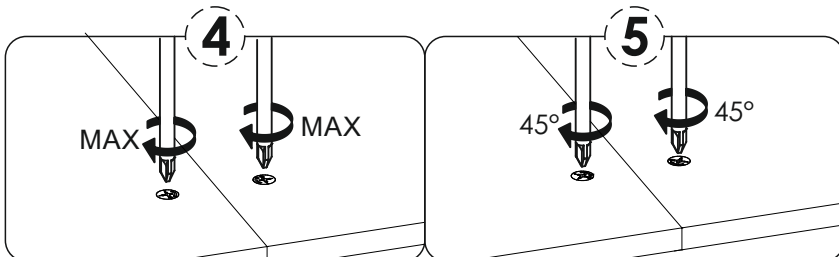
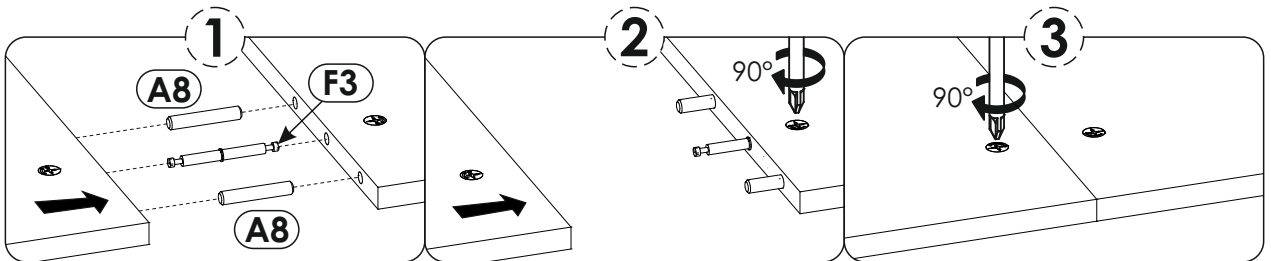
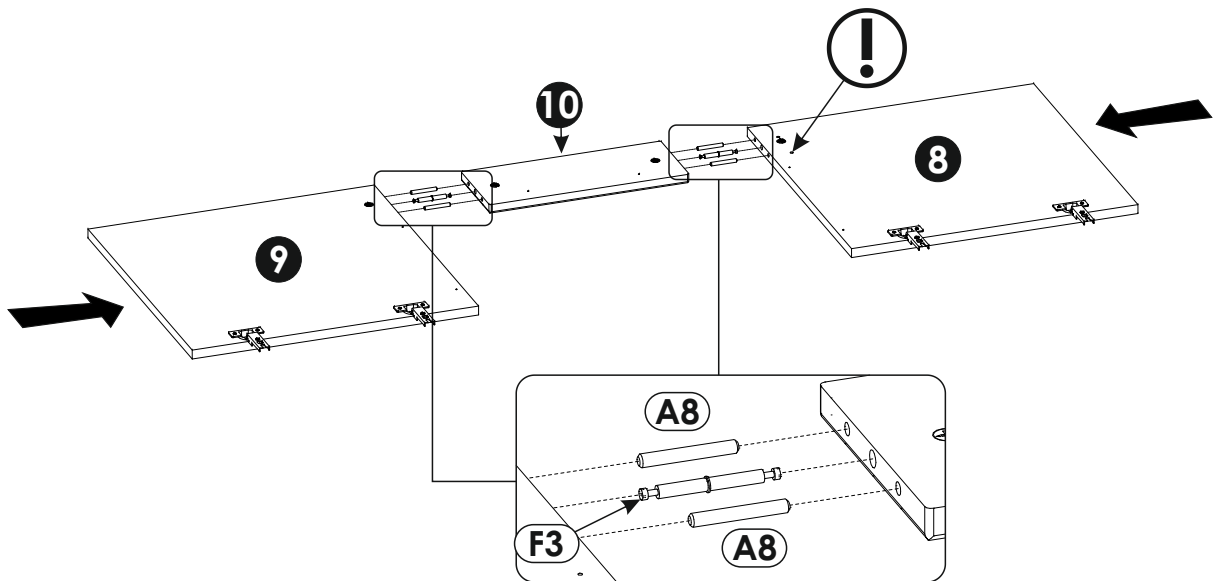
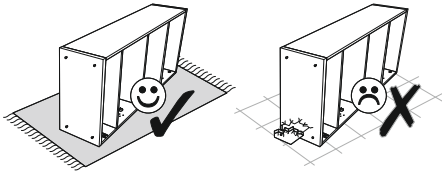
26 ▶



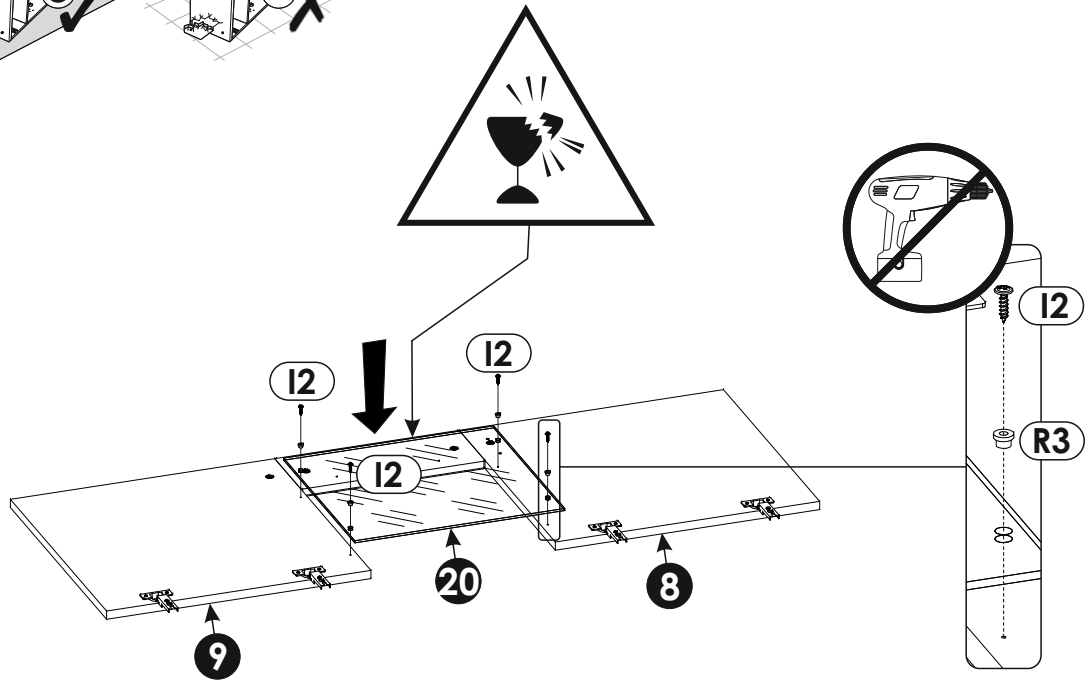
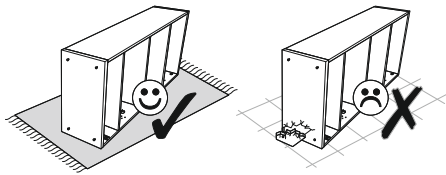
27 ▶



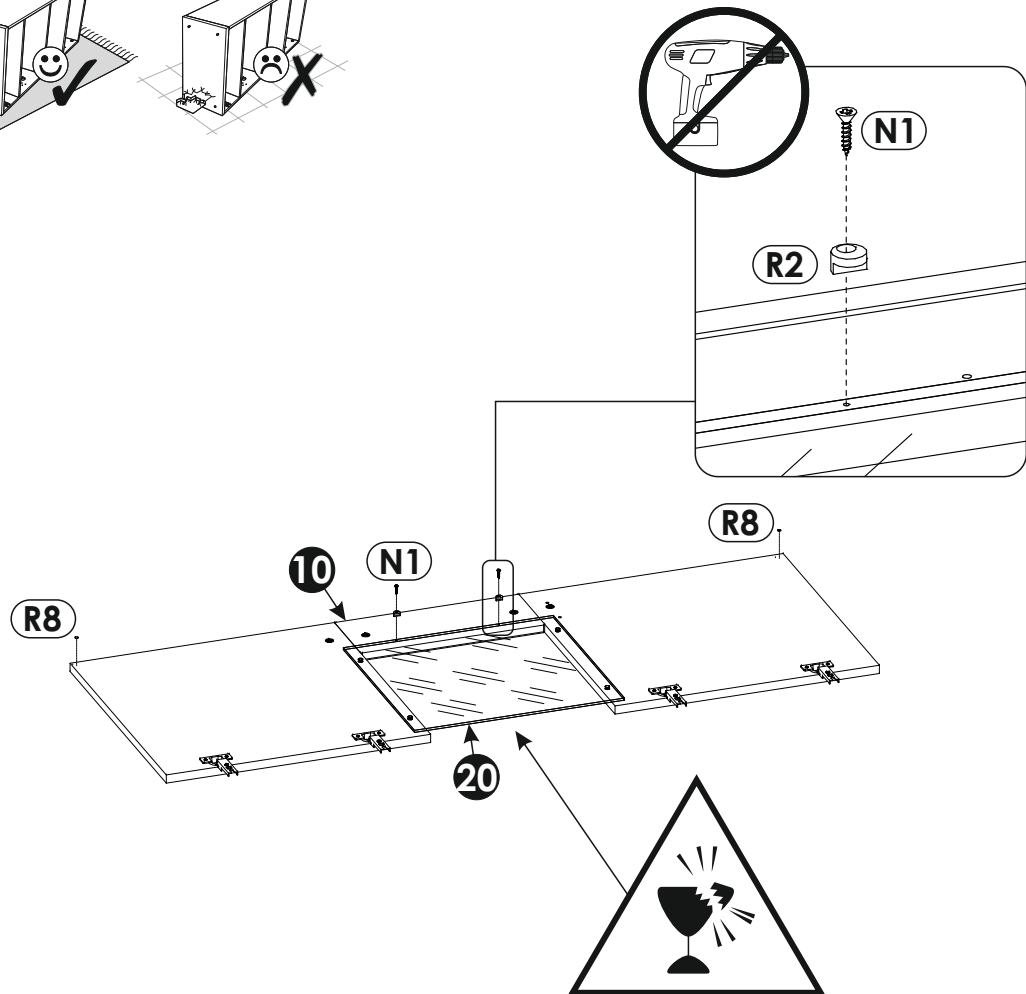
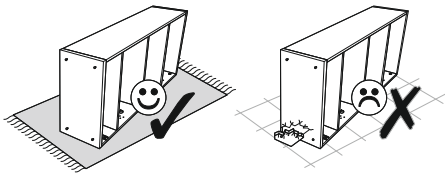
28 ▶



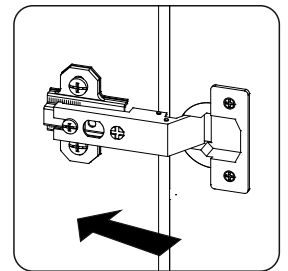
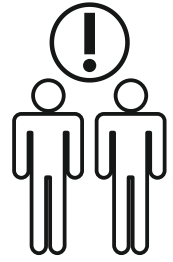
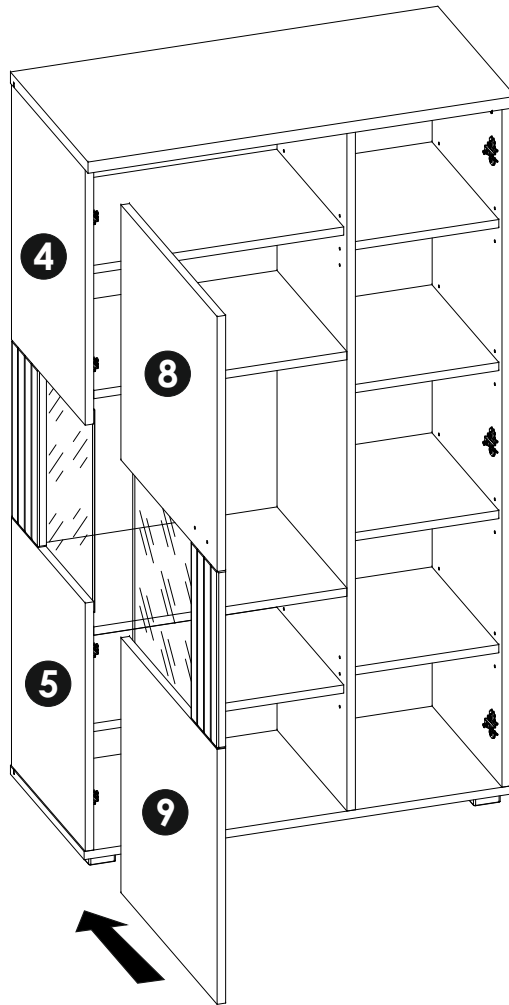
29 ▶



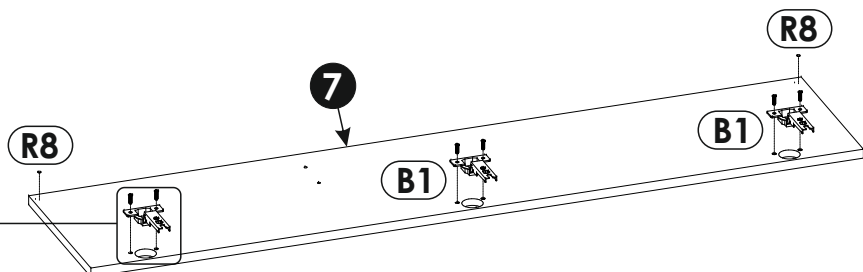
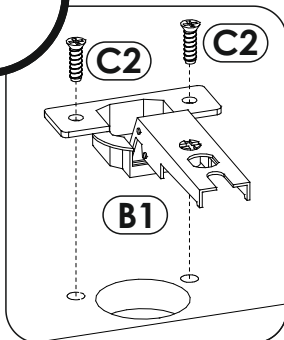
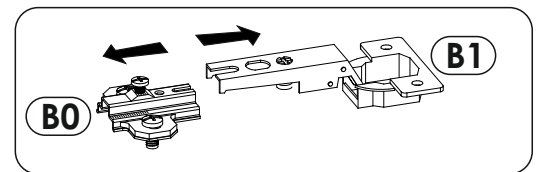
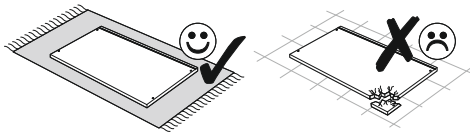
30 ▶

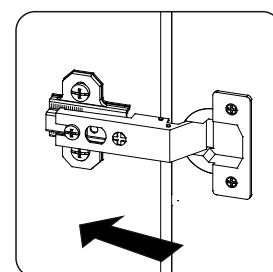
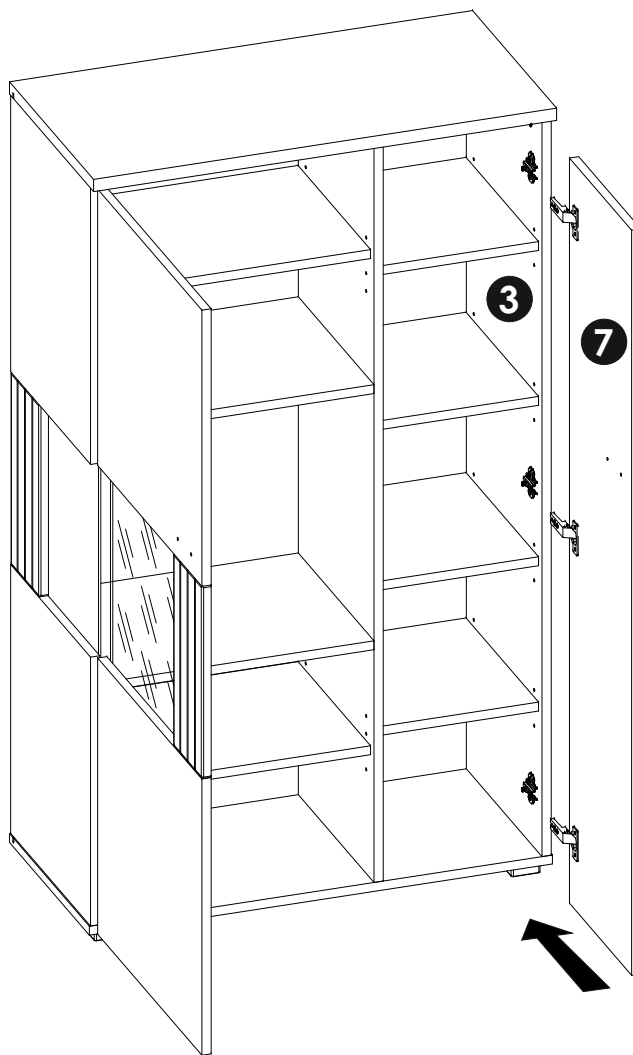


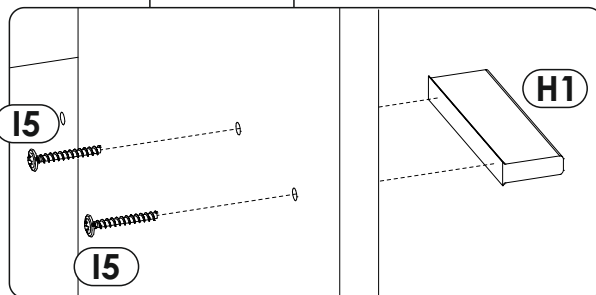
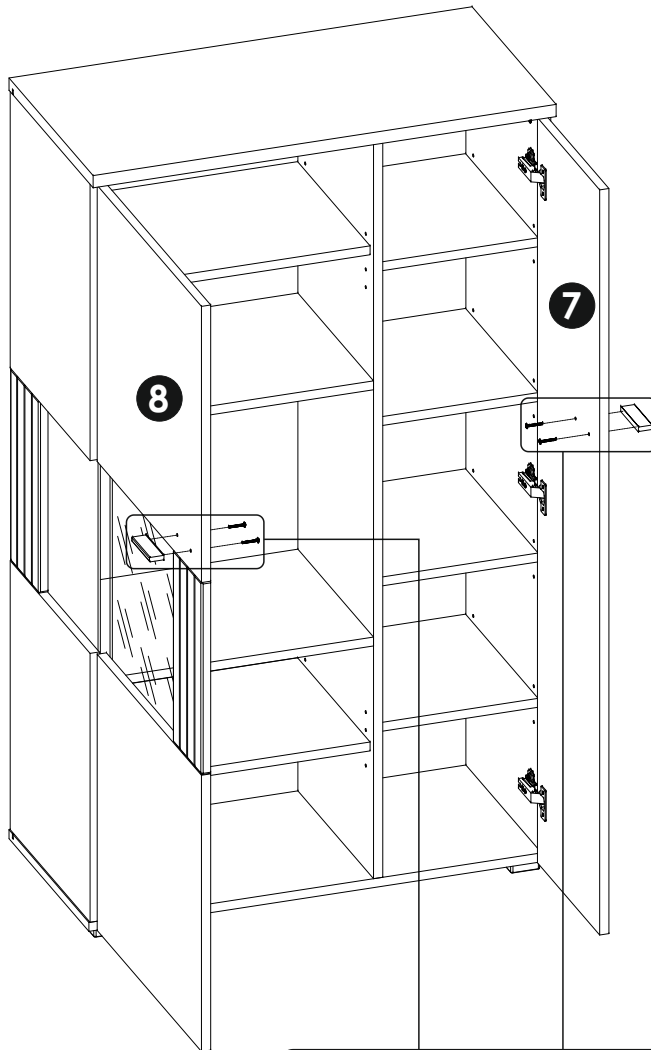
31 ▶



32 ▶







35 ▶

