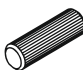
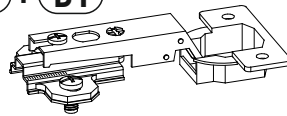
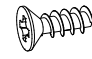
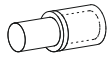
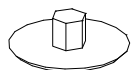


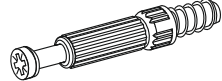
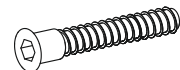



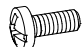
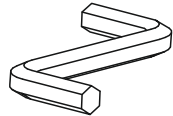



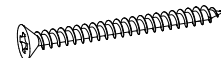
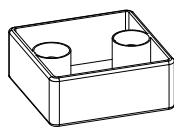
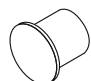

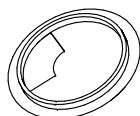
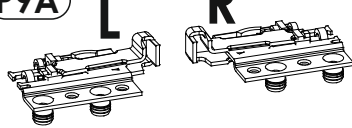
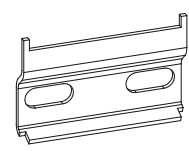
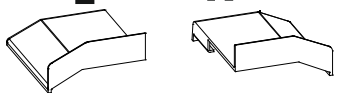
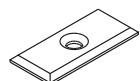
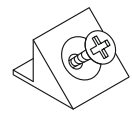
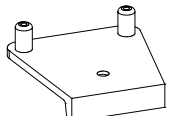
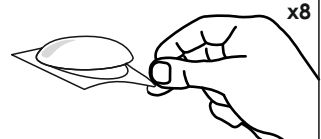
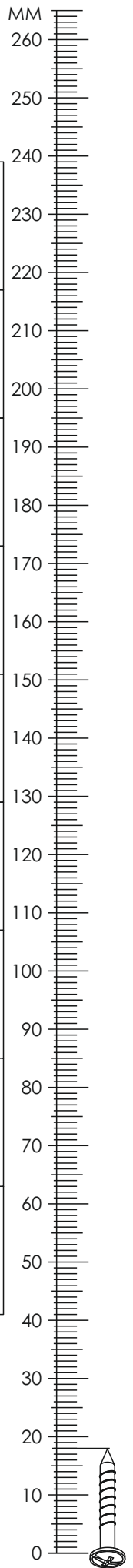
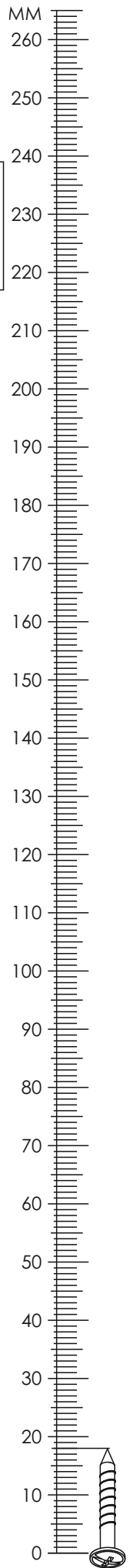
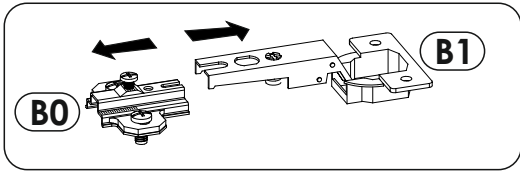
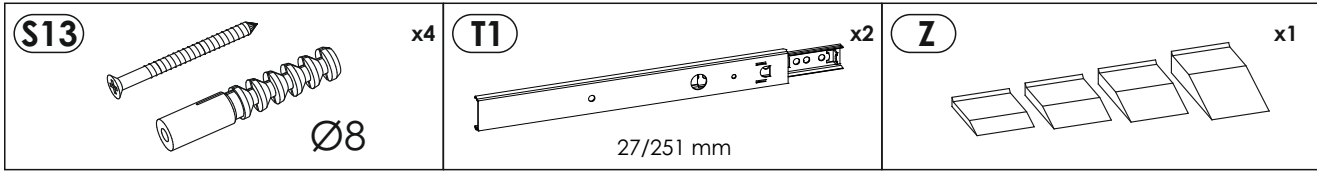
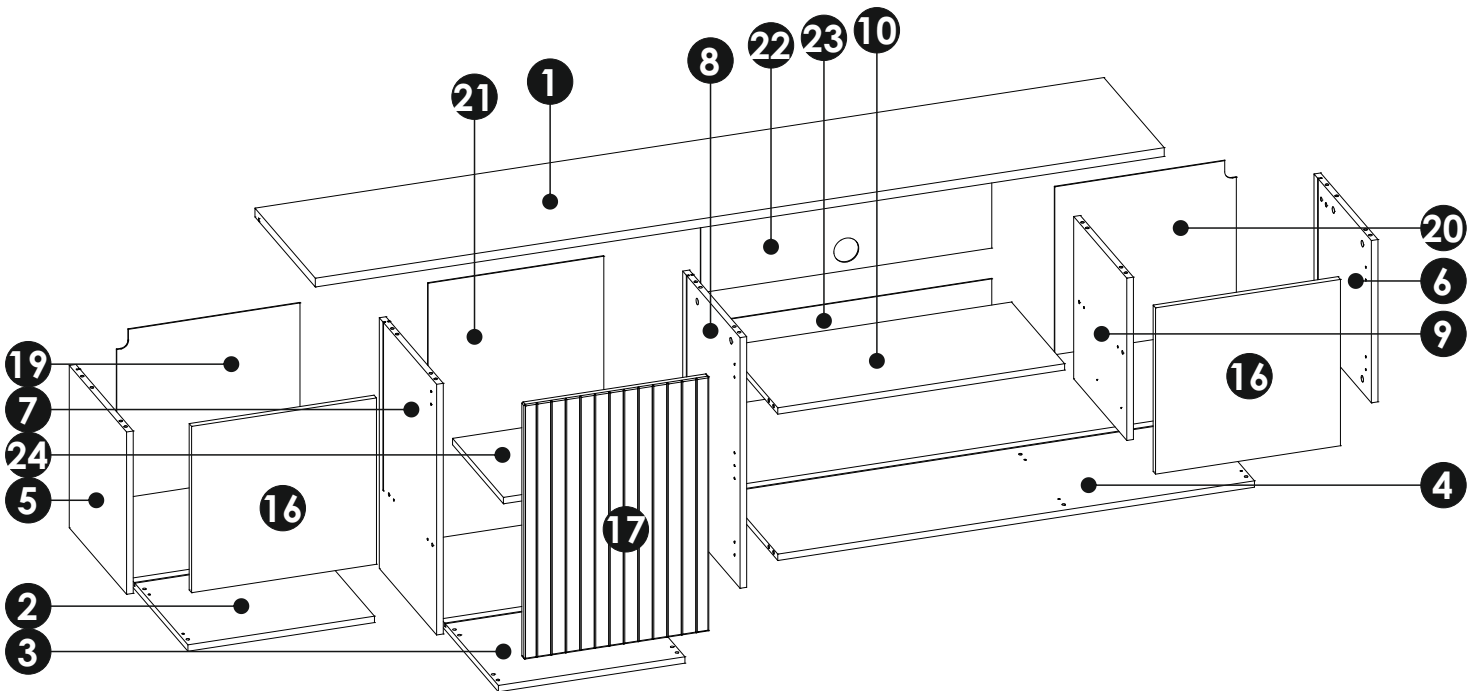
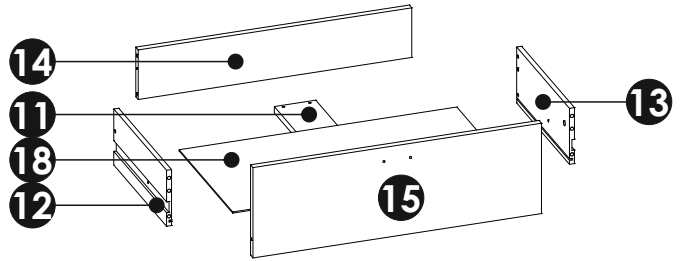
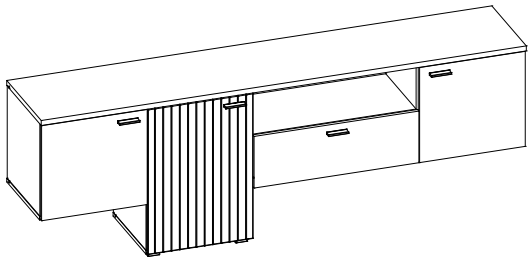


A1 8 x 35 mm x34 	B0 + B1 x6 	C2 5 x 13 mm x16 
D2 x4 	E0 Ø16 x20 	E1 15 x 12 mm x25 
E3 12 x 10 mm x2 	F1 6 x 34 mm x27 	G1 7 x 50 mm x6 
H1 x4  L - 84 mm	I4 3,5 x 27 mm x8 	I5 3,5 x 27 mm x8 
K1 4 x 9 mm x2 	M x1 	NO 3 x 13 mm x1 
N1 3 x 16 mm x15 	N5 3,5 x 16 mm x4 	N9 3,5 x 40 mm x2 
O2 x4 	P0 x10 	P15 x1 
P24 x1 	P9A L R x1 	P8B x2 
P9B L R x1 	R1 x6 	R4 x19 
R5 x1 	R8 x8 	



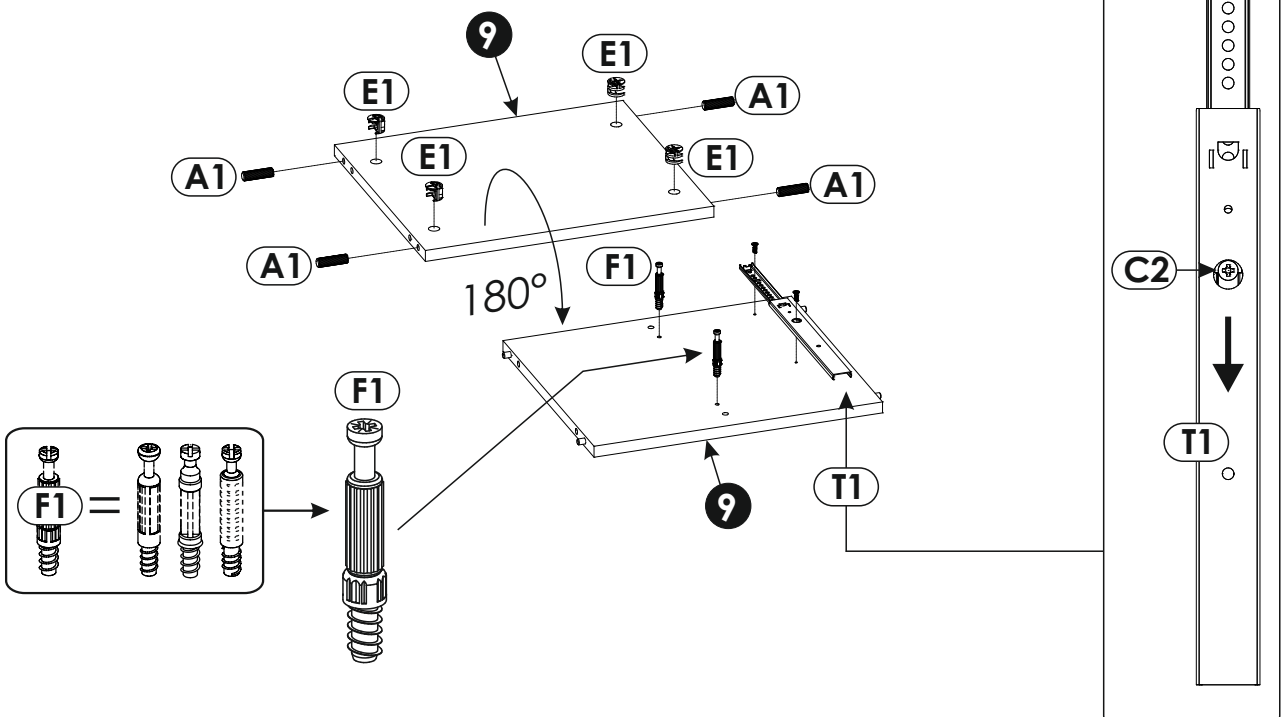
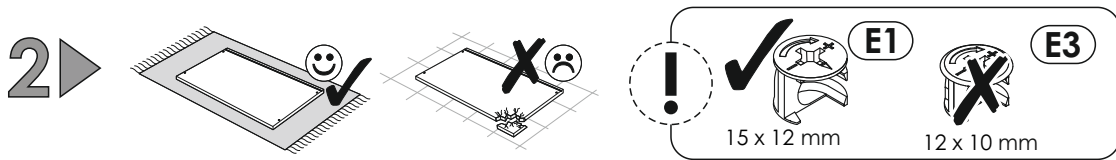
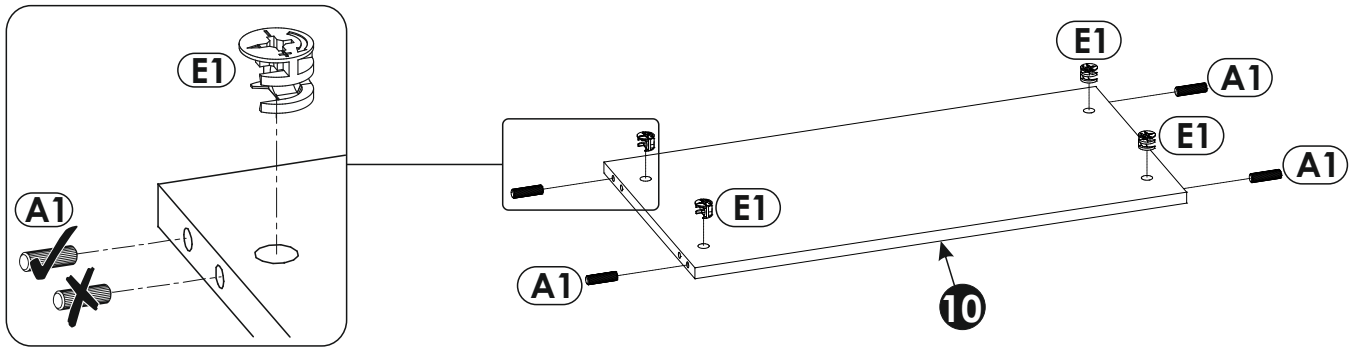
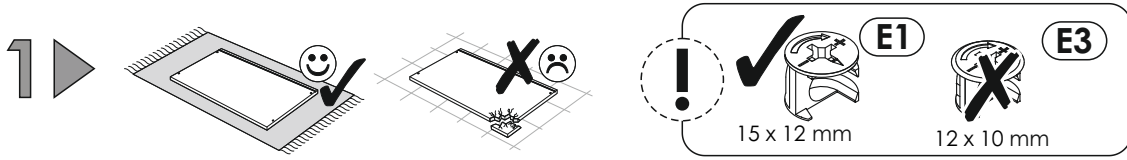
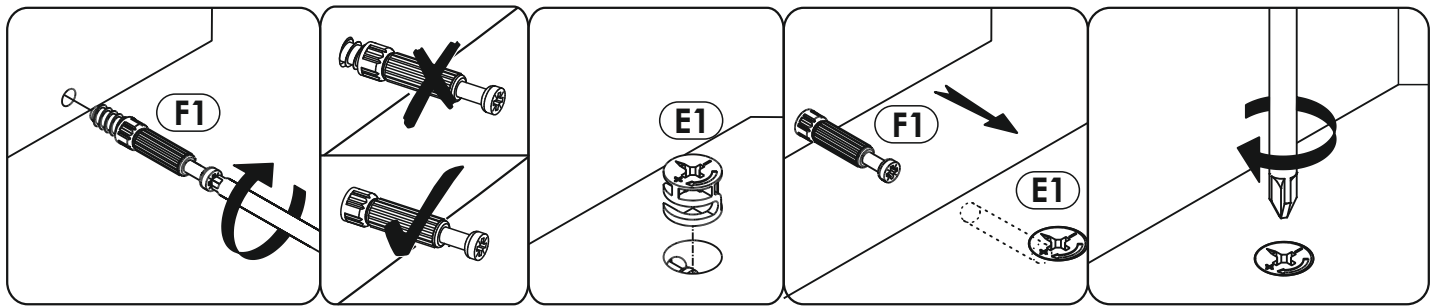


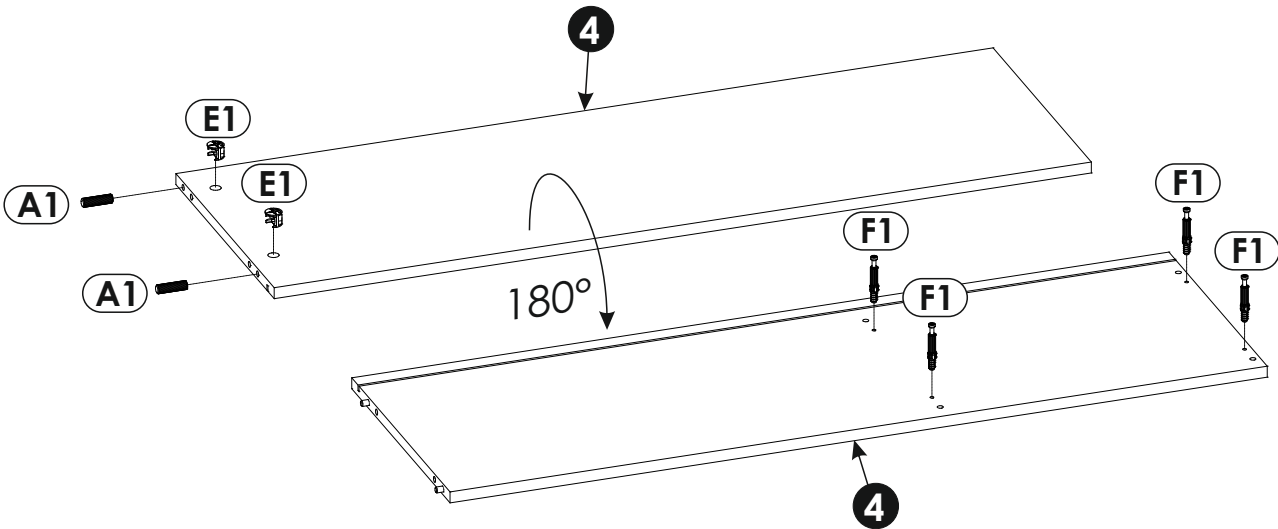
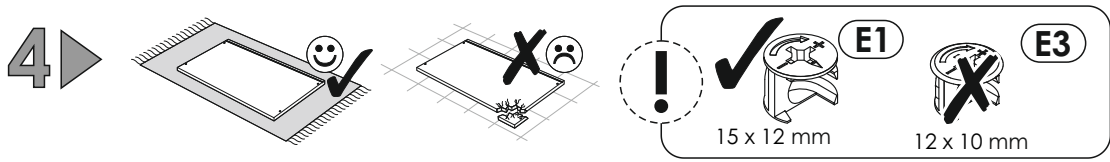
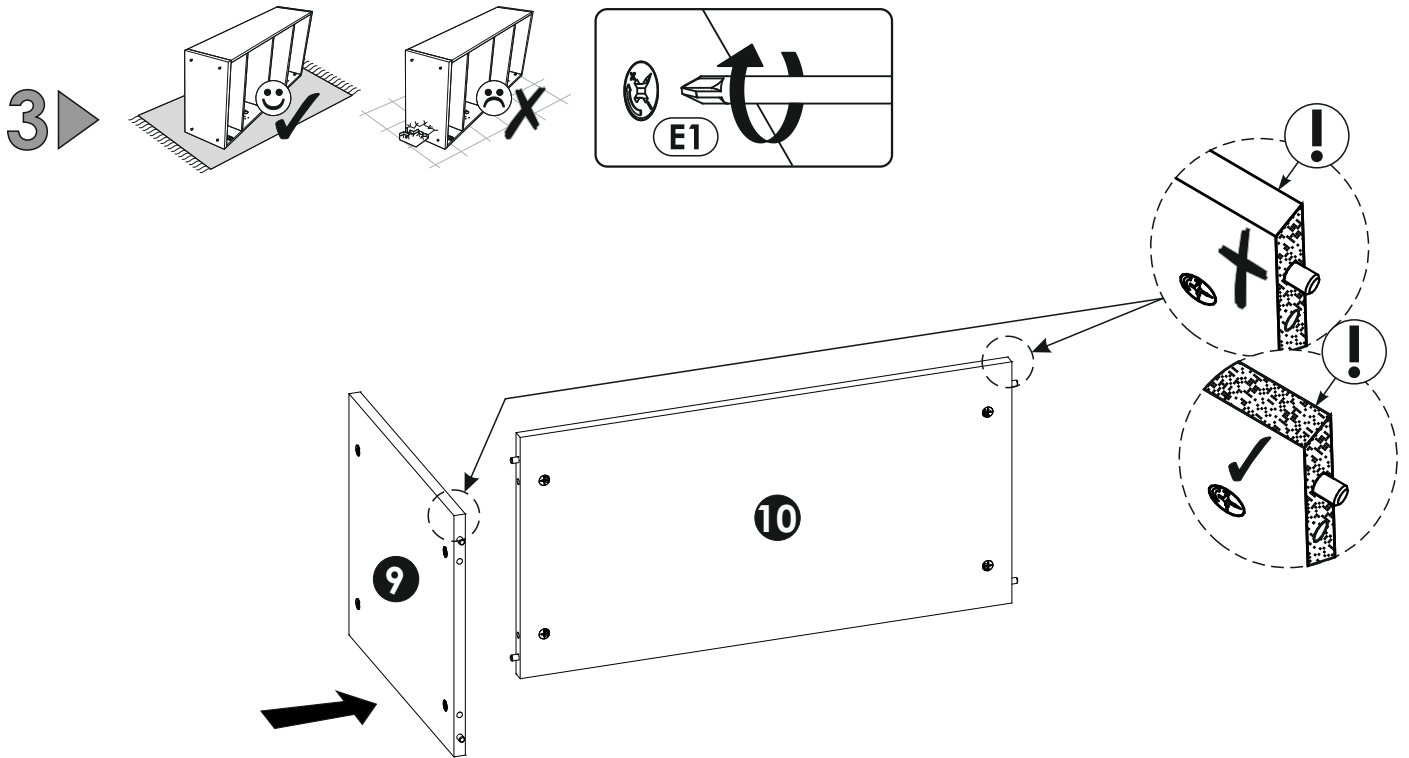


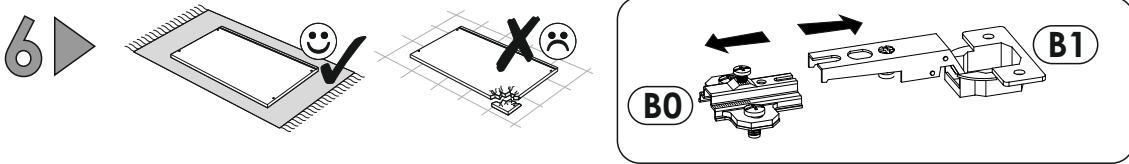
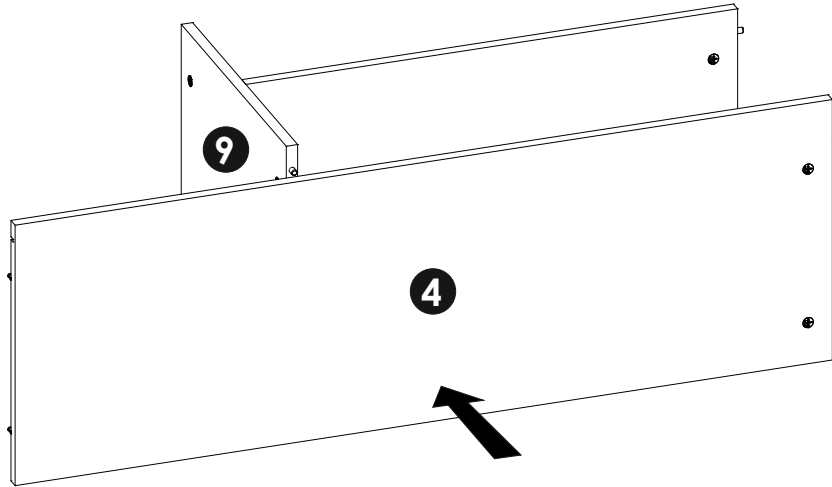
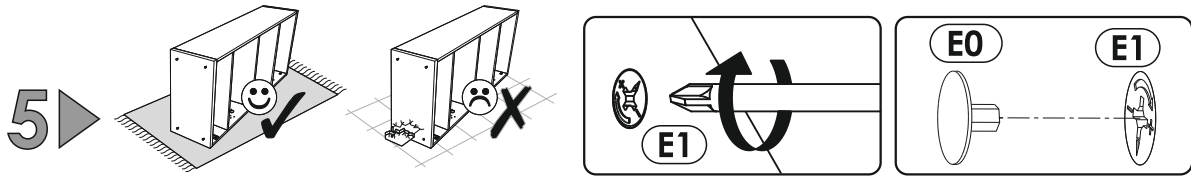
1	2048	400	22	x1	2/2
2	449	380	16	x1	2/2
3	450	380	16	x1	2/2
4	1149	380	16	x1	2/2
5	406	380	16	x1	2/2
6	406	380	16	x1	2/2
7	627	380	16	x1	2/2
8	627	380	16	x1	2/2

9	406	352	16	x1	1/2
10	692	352	16	x1	1/2
11	350	100	16	x1	1/2
12	350	140	12	x1	1/2
13	350	140	12	x1	1/2
14	660	124	16	x1	1/2
15	696	226	16	x1	1/2
16	416	446	16	x2	1/2

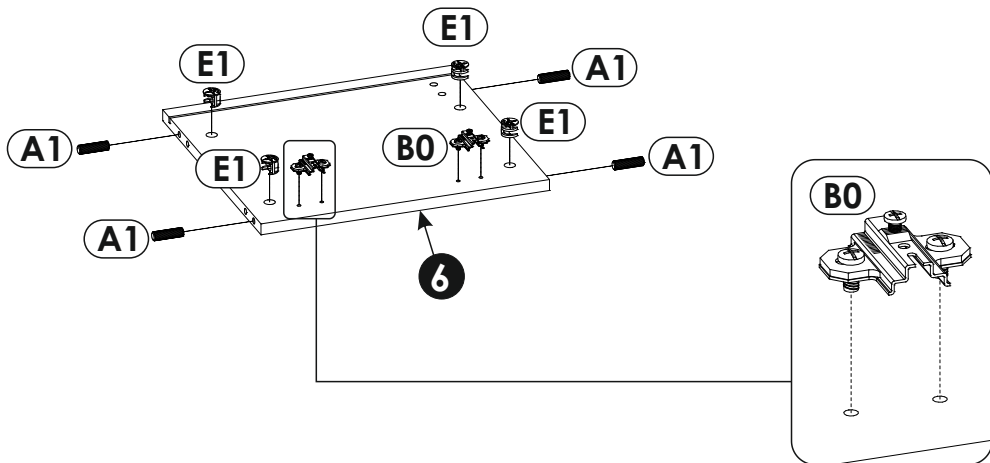
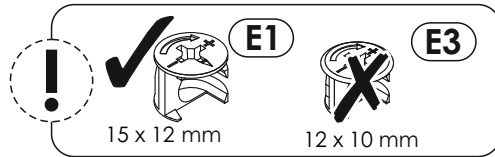
17	637	446	16	x1	1/2
18	670	355	3	x1	1/2
19	420	442	3	x1	1/2
20	420	438	3	x1	1/2
21	641	424	3	x1	1/2
22	204	702	3	x1	1/2
23	214	702	3	x1	1/2
24	415	337	16	x1	1/2

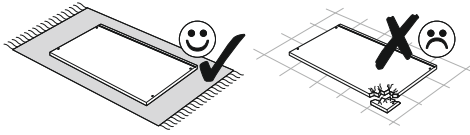




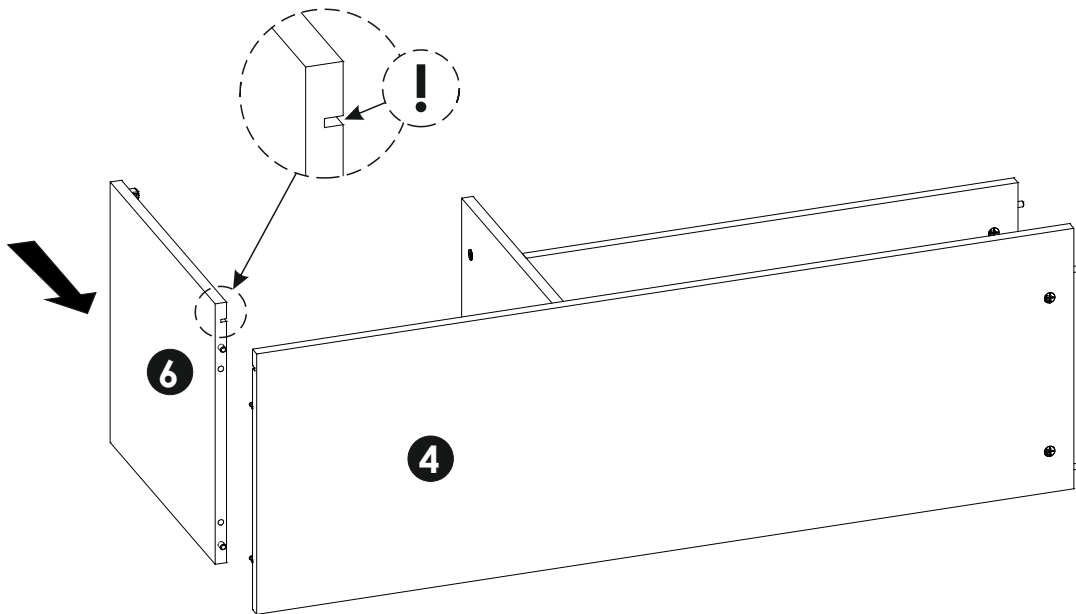
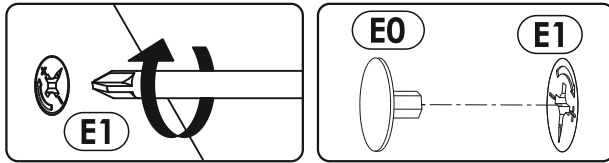
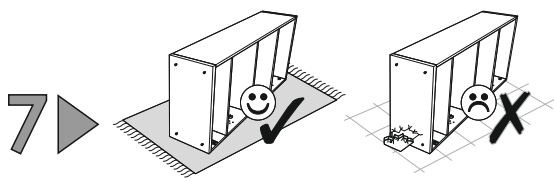
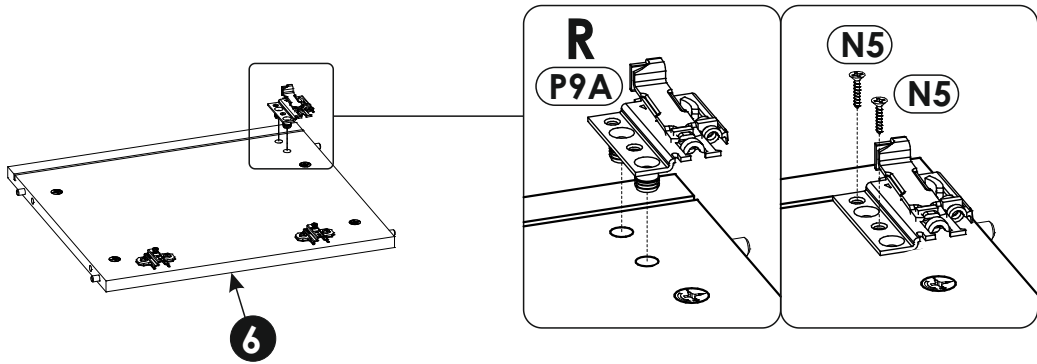


a.

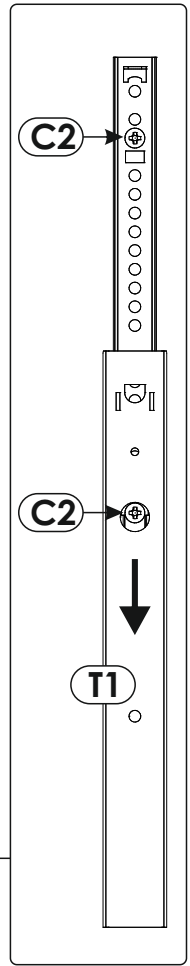
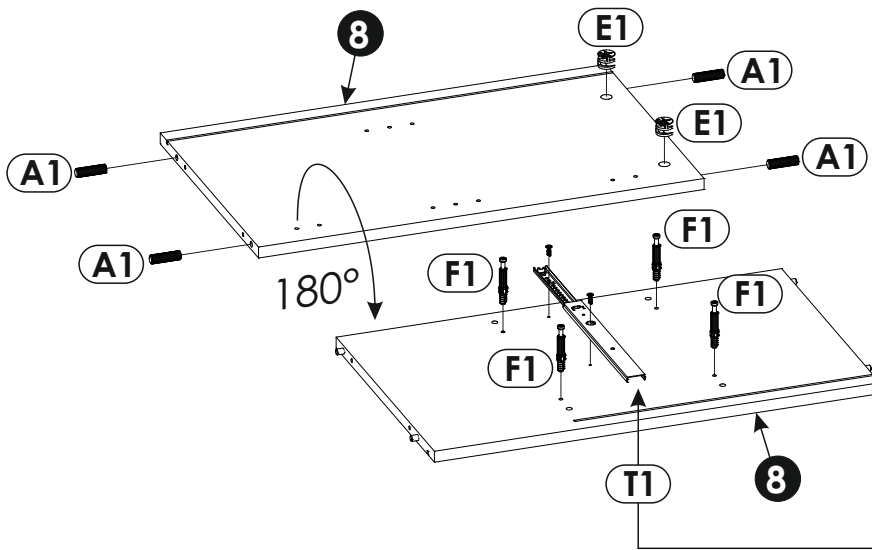
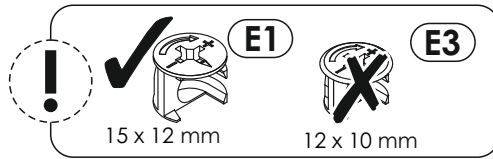
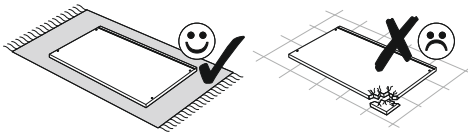




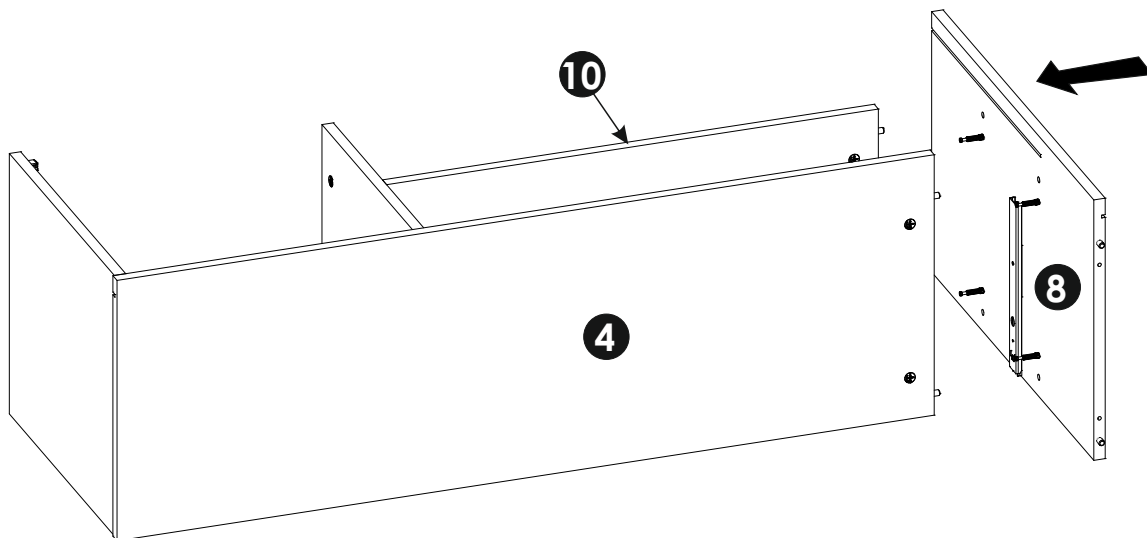
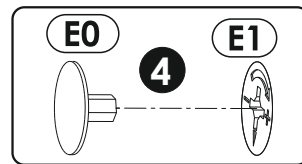
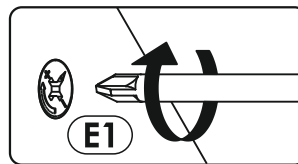
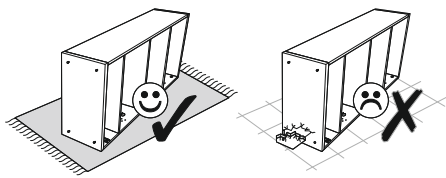
b.



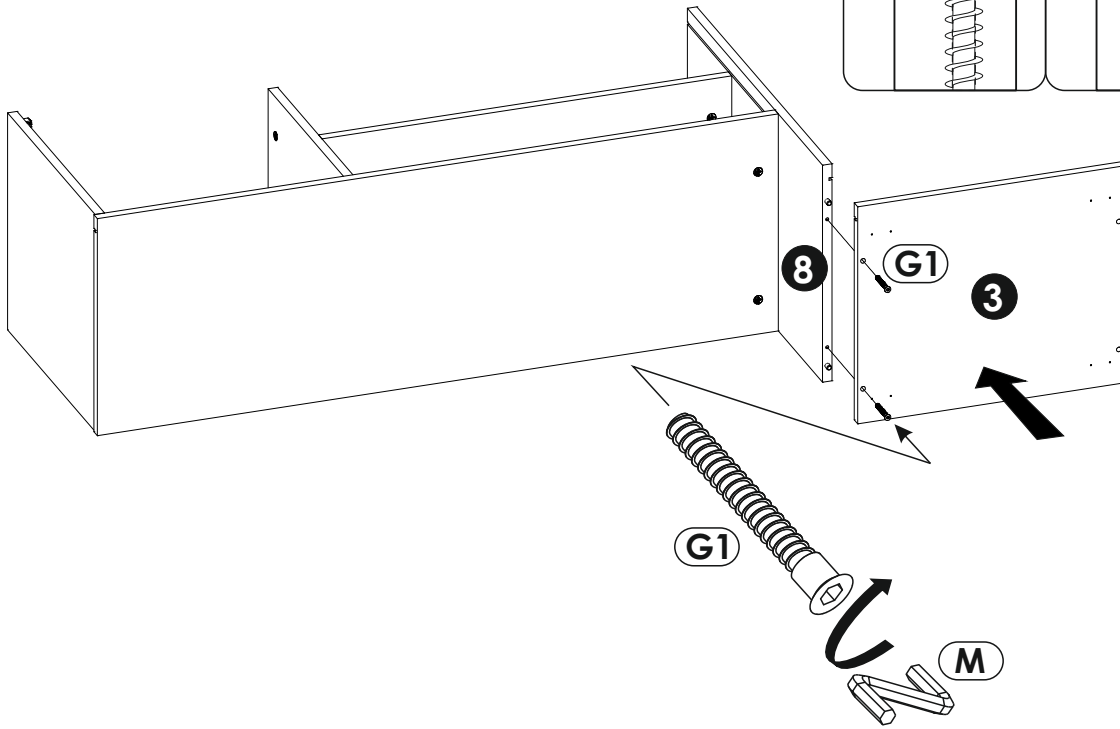
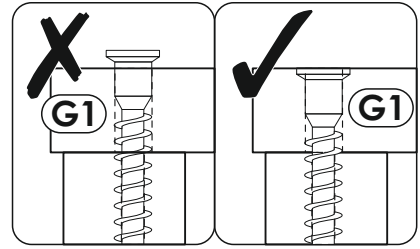
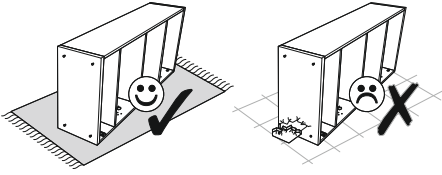
8 ▶



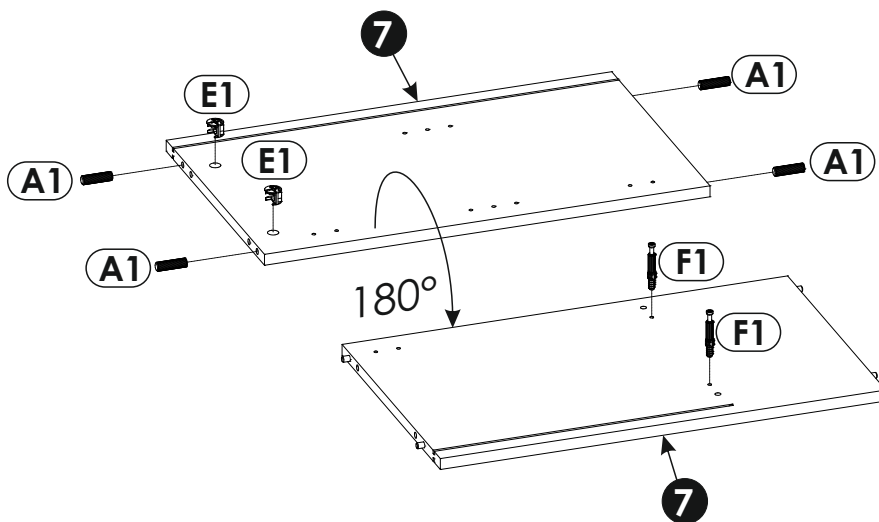
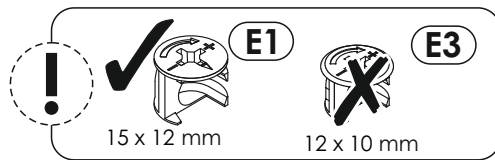
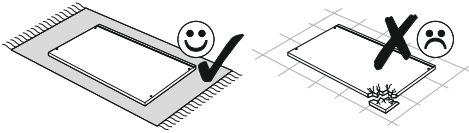
9 ▶



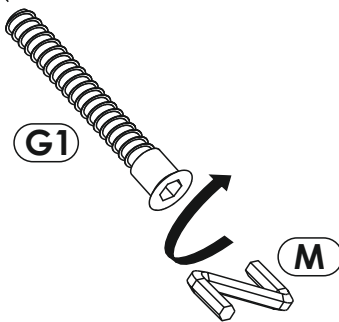
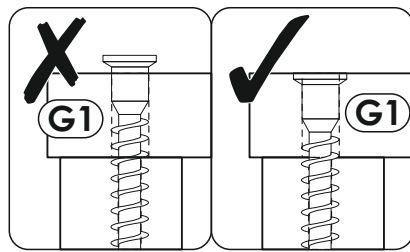
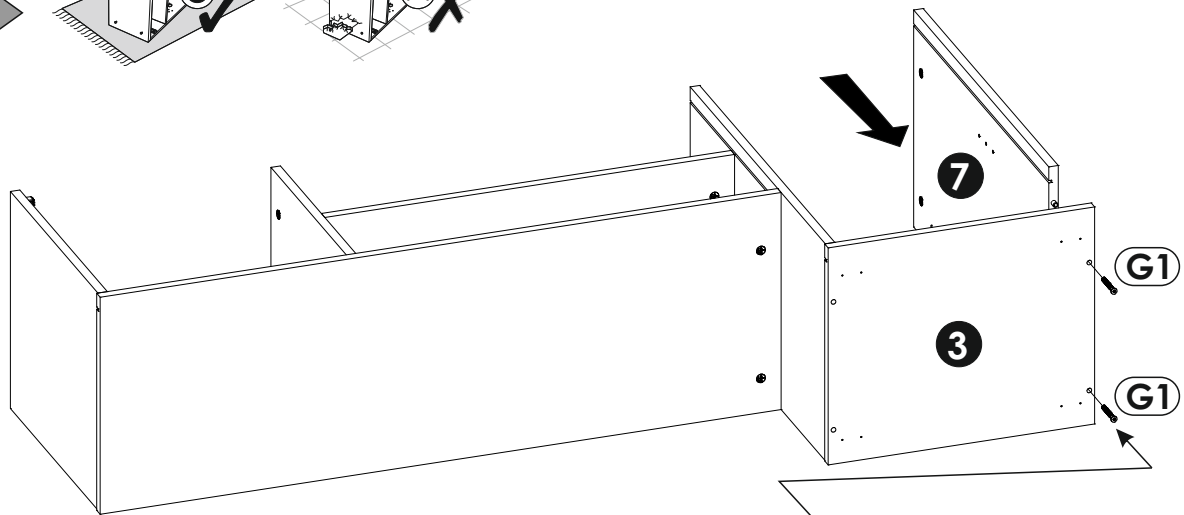
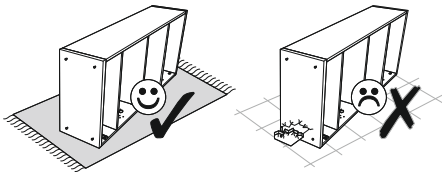
10 ▶



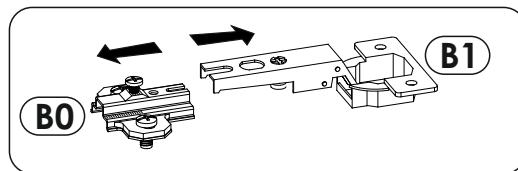
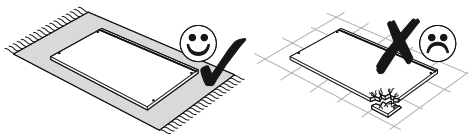
11 ▶



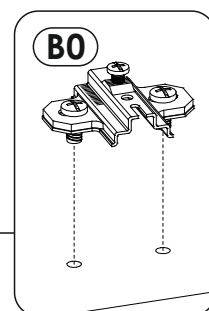
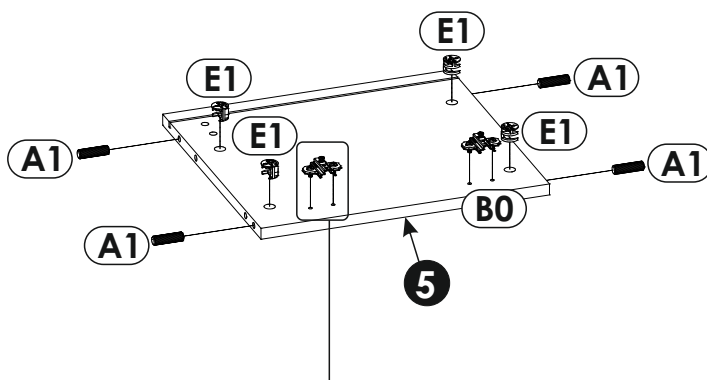
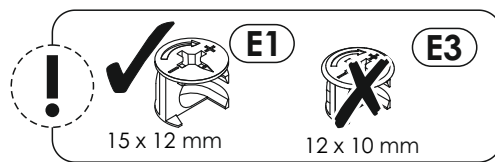
12▶

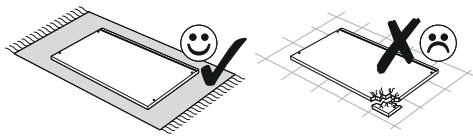


13▶

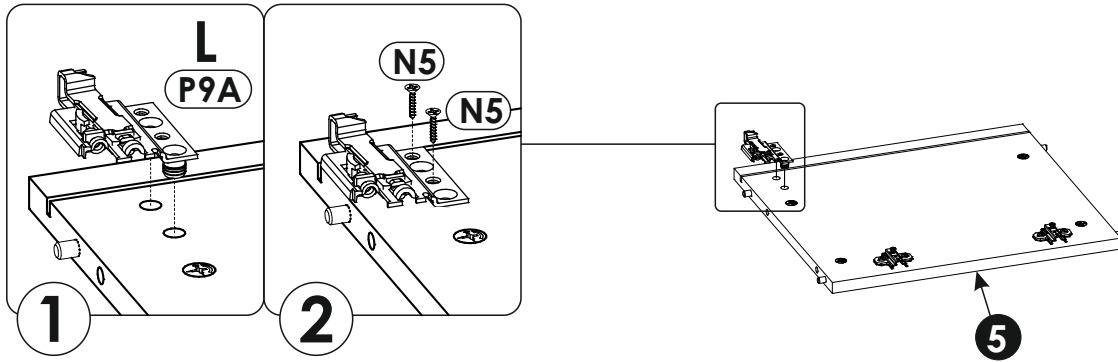


a.

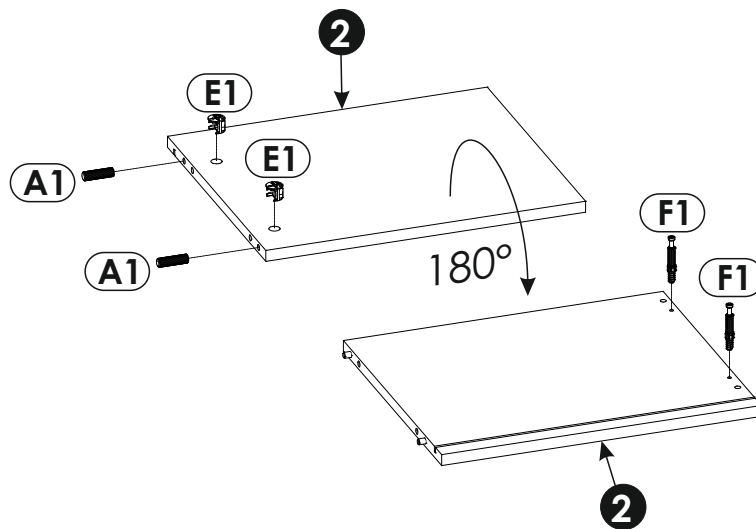
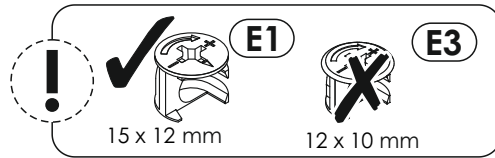
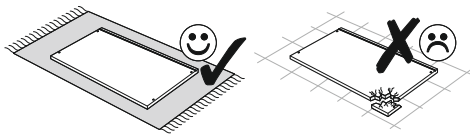




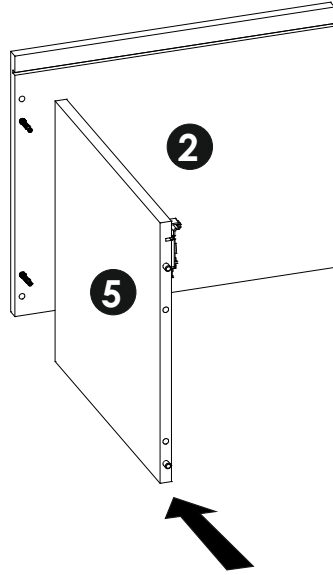
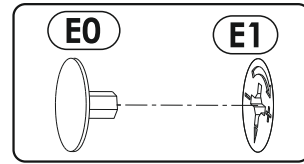
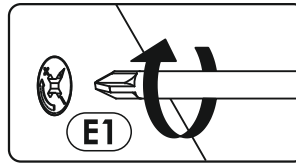
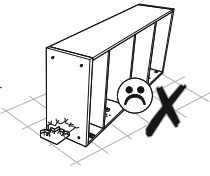
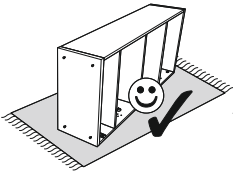
b.



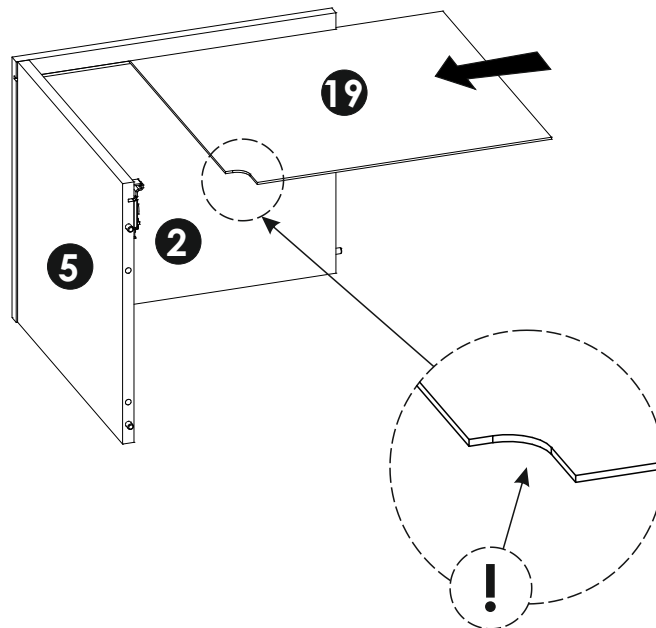
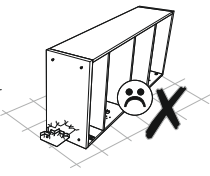
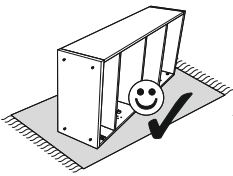
14 ▶

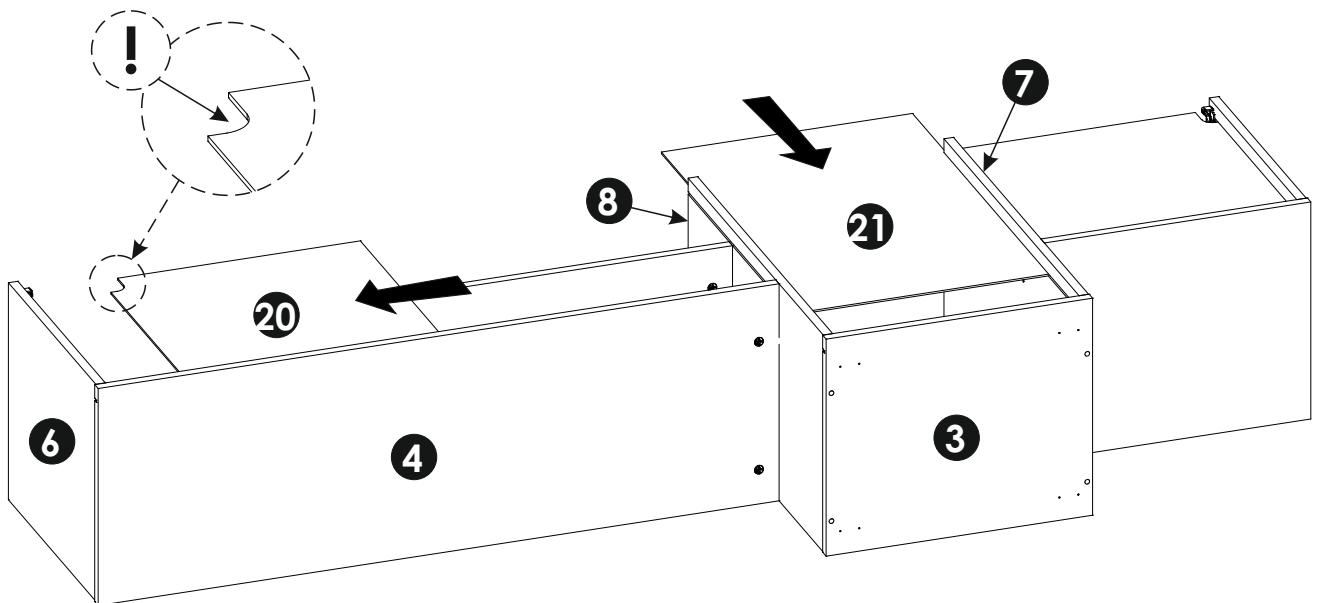
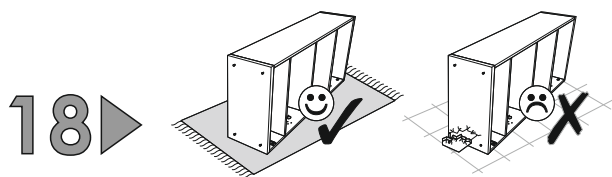
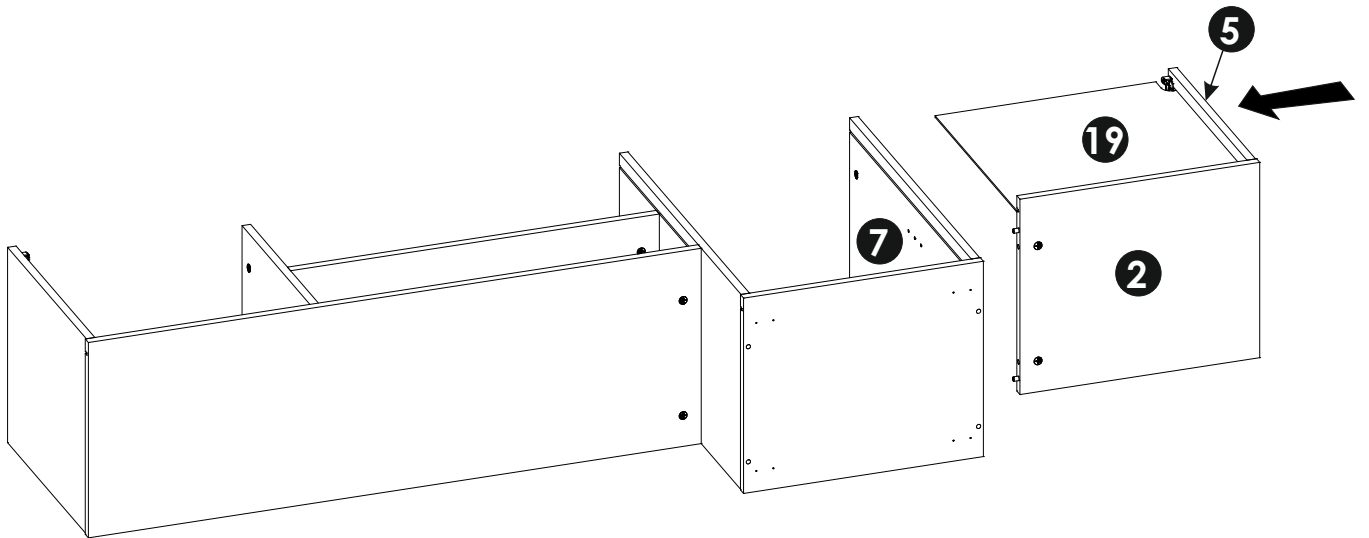
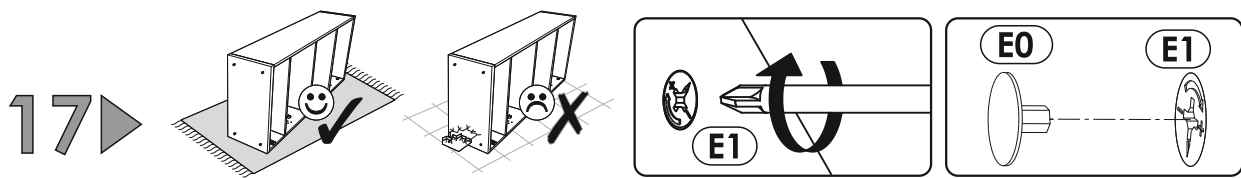


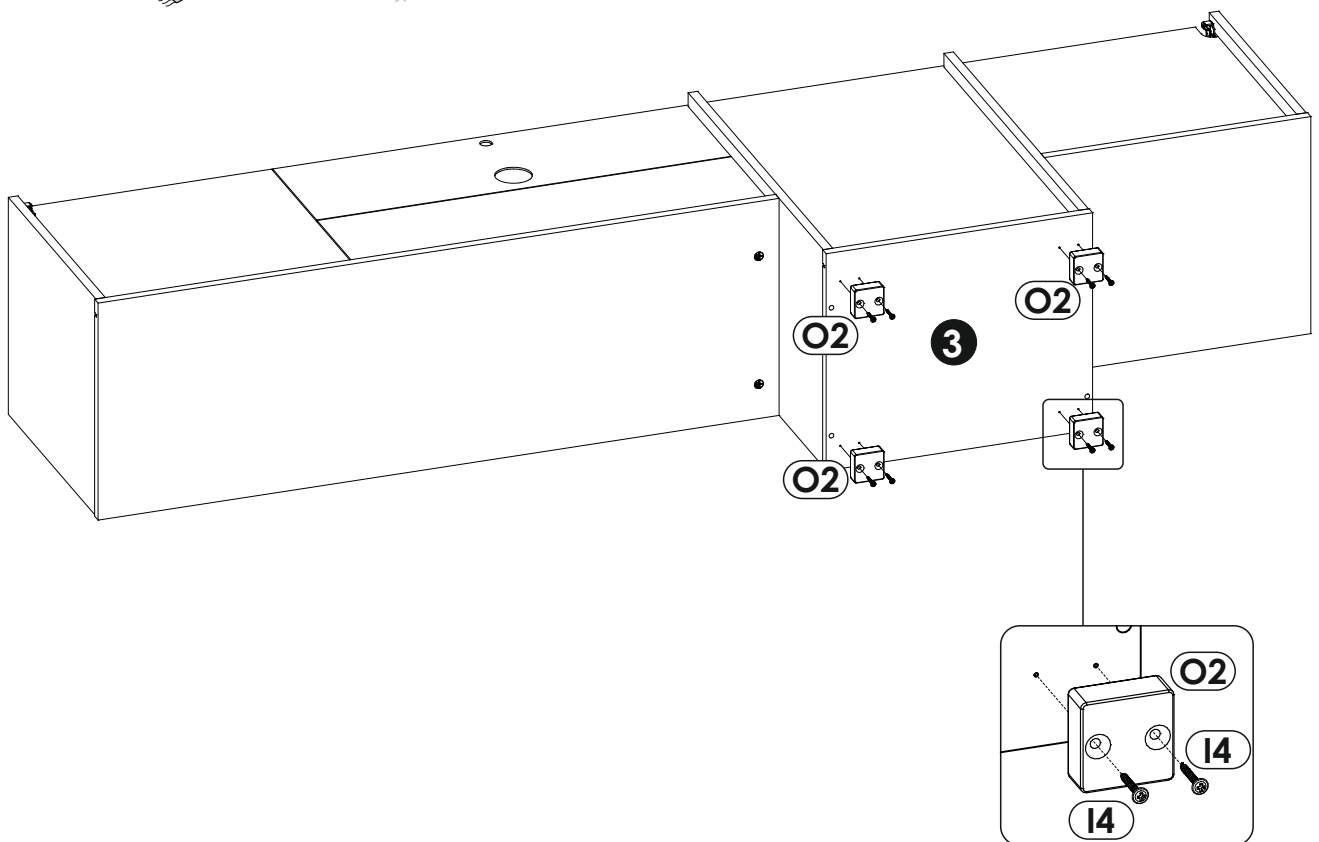
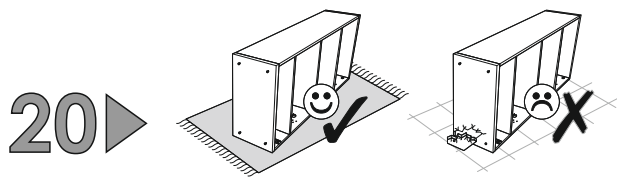
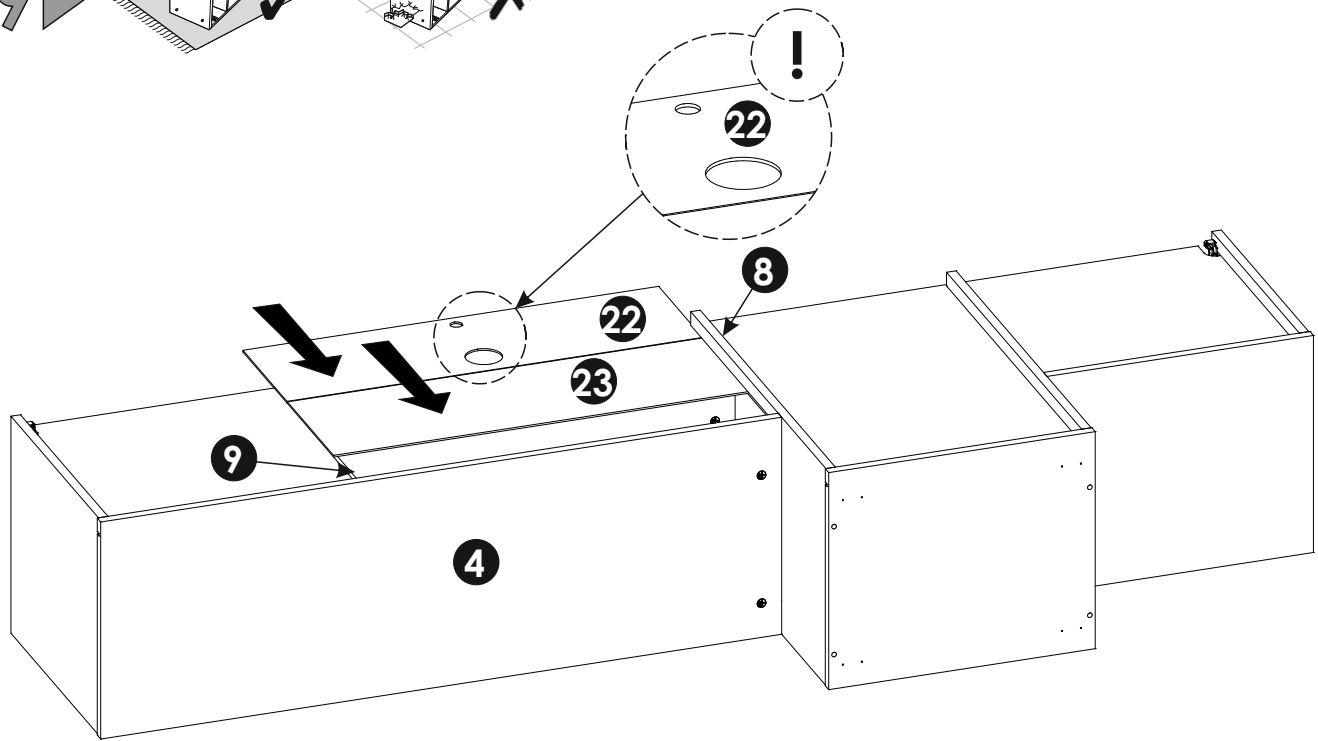
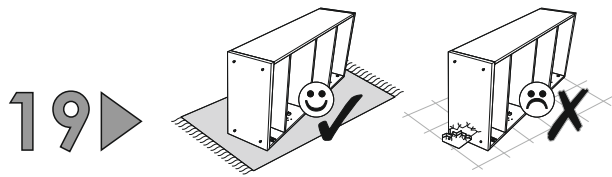
15▶



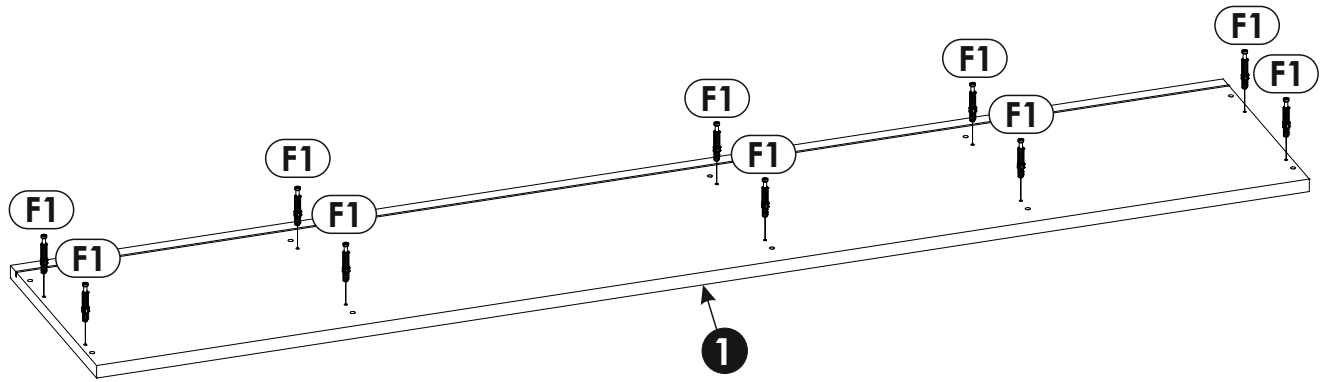
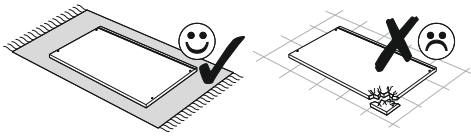
16▶



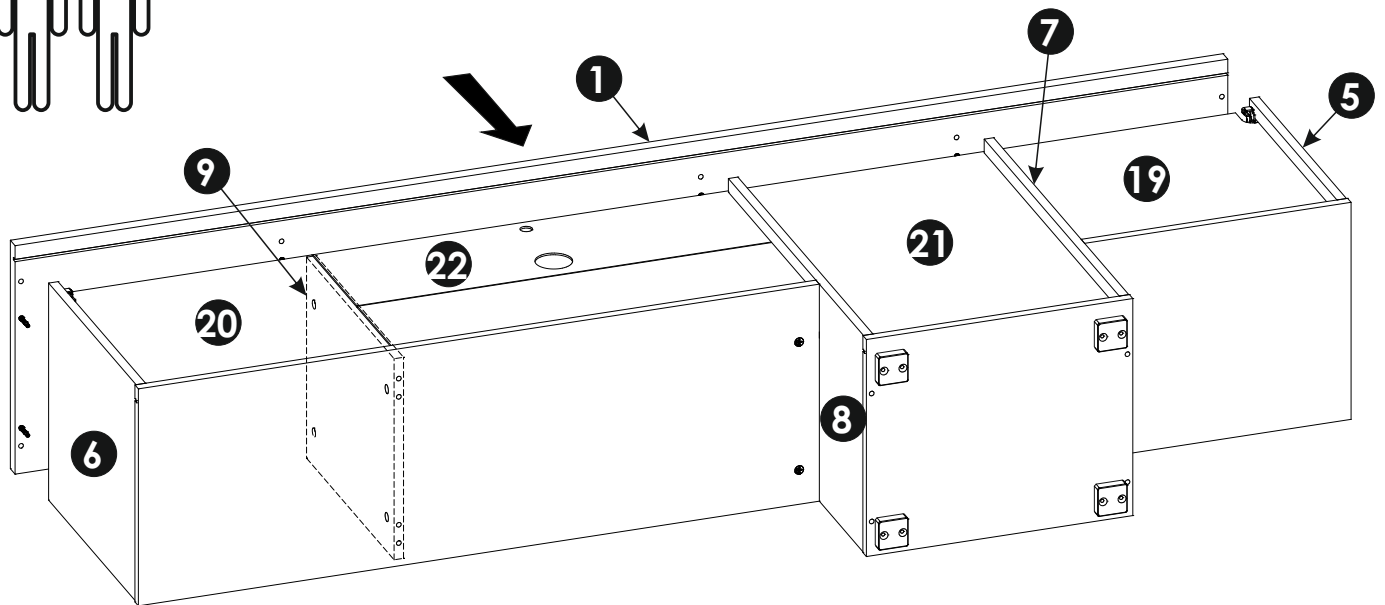
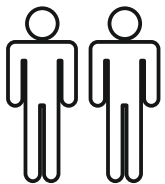
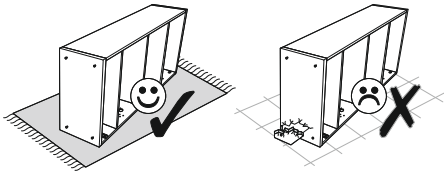




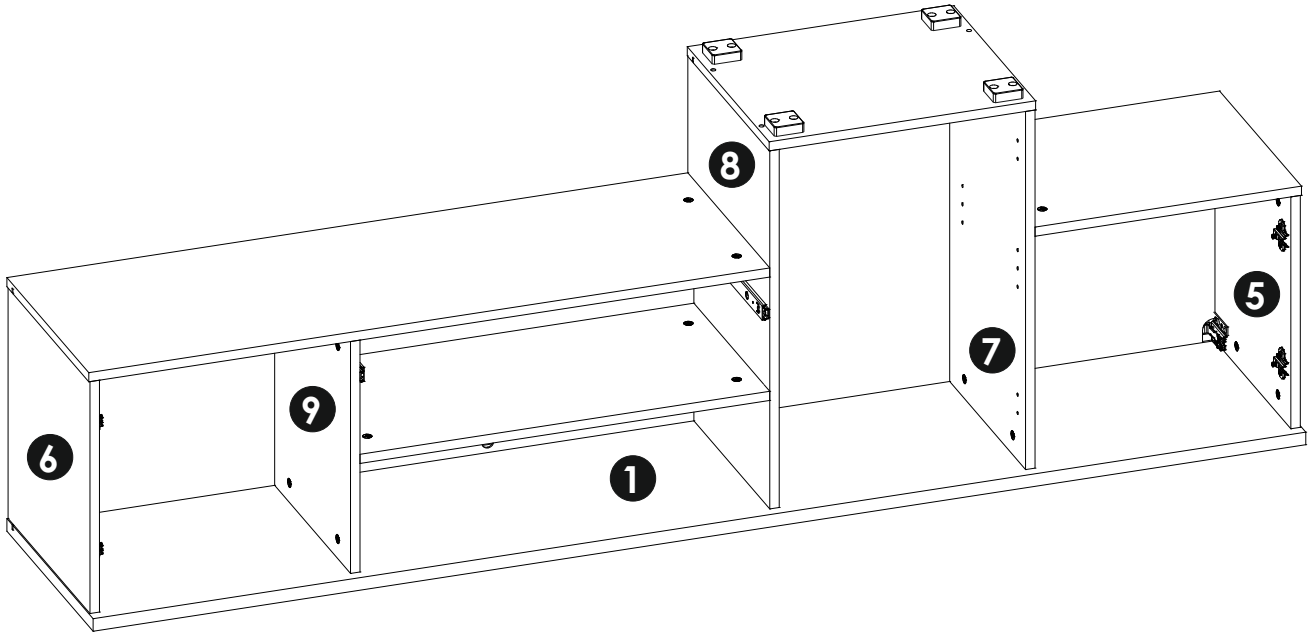
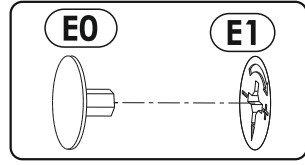
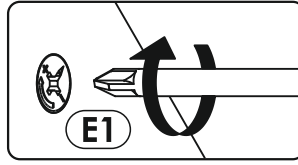
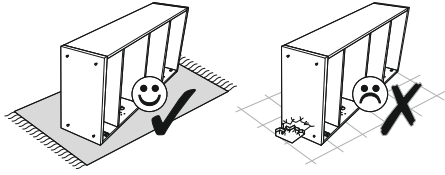
21 ▶



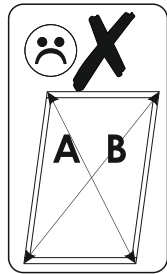
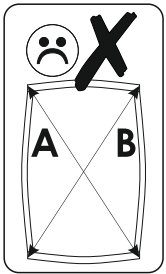
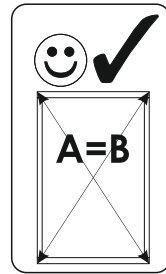
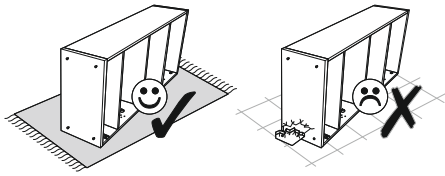
22 ▶



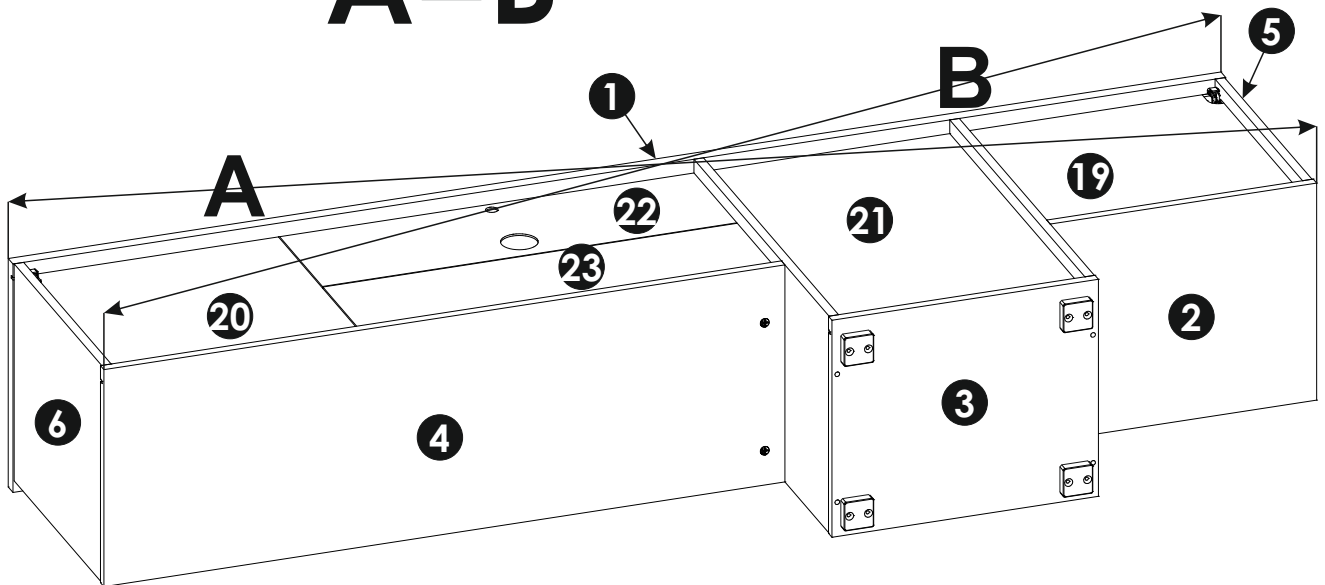
23 ▶

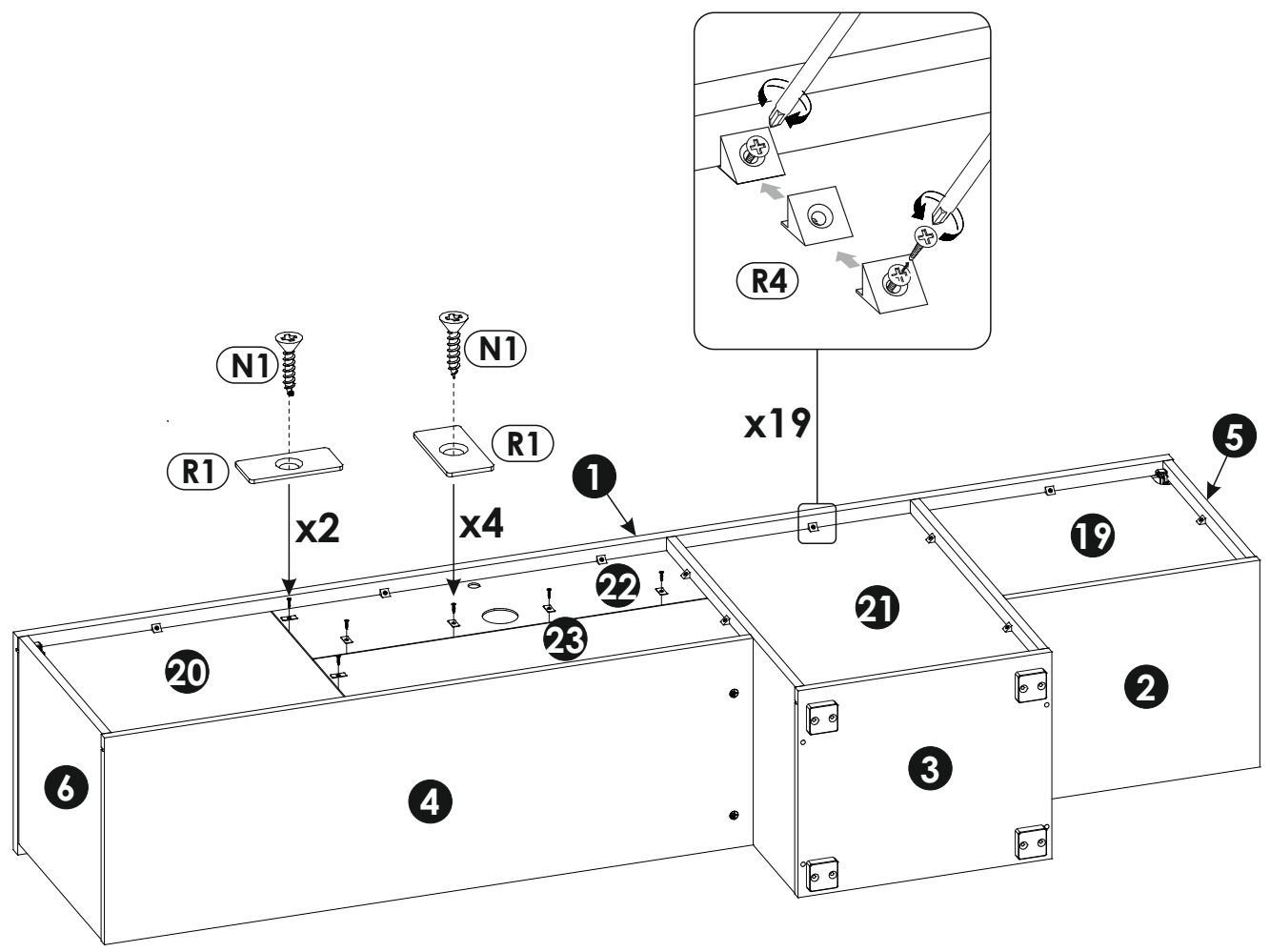
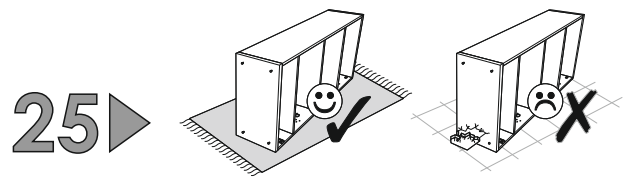


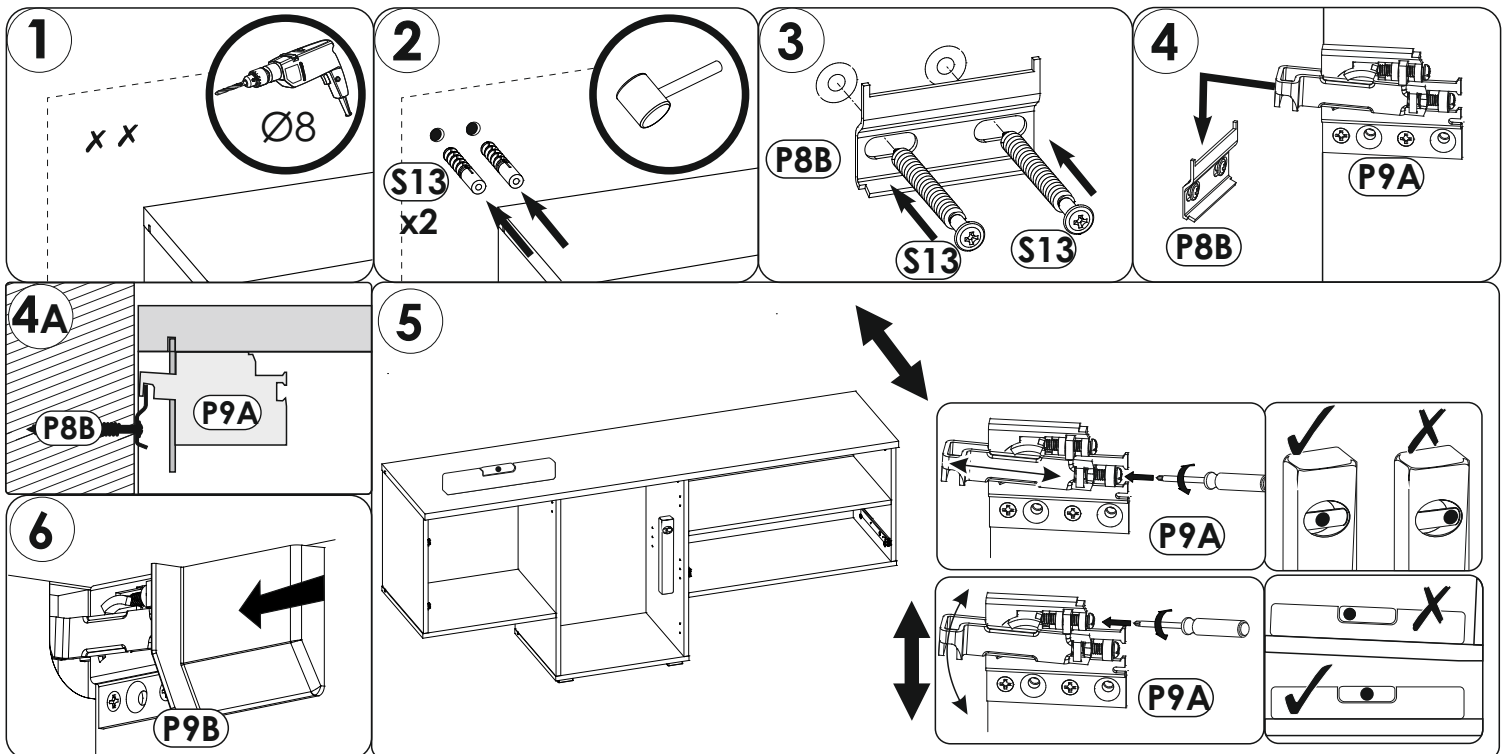
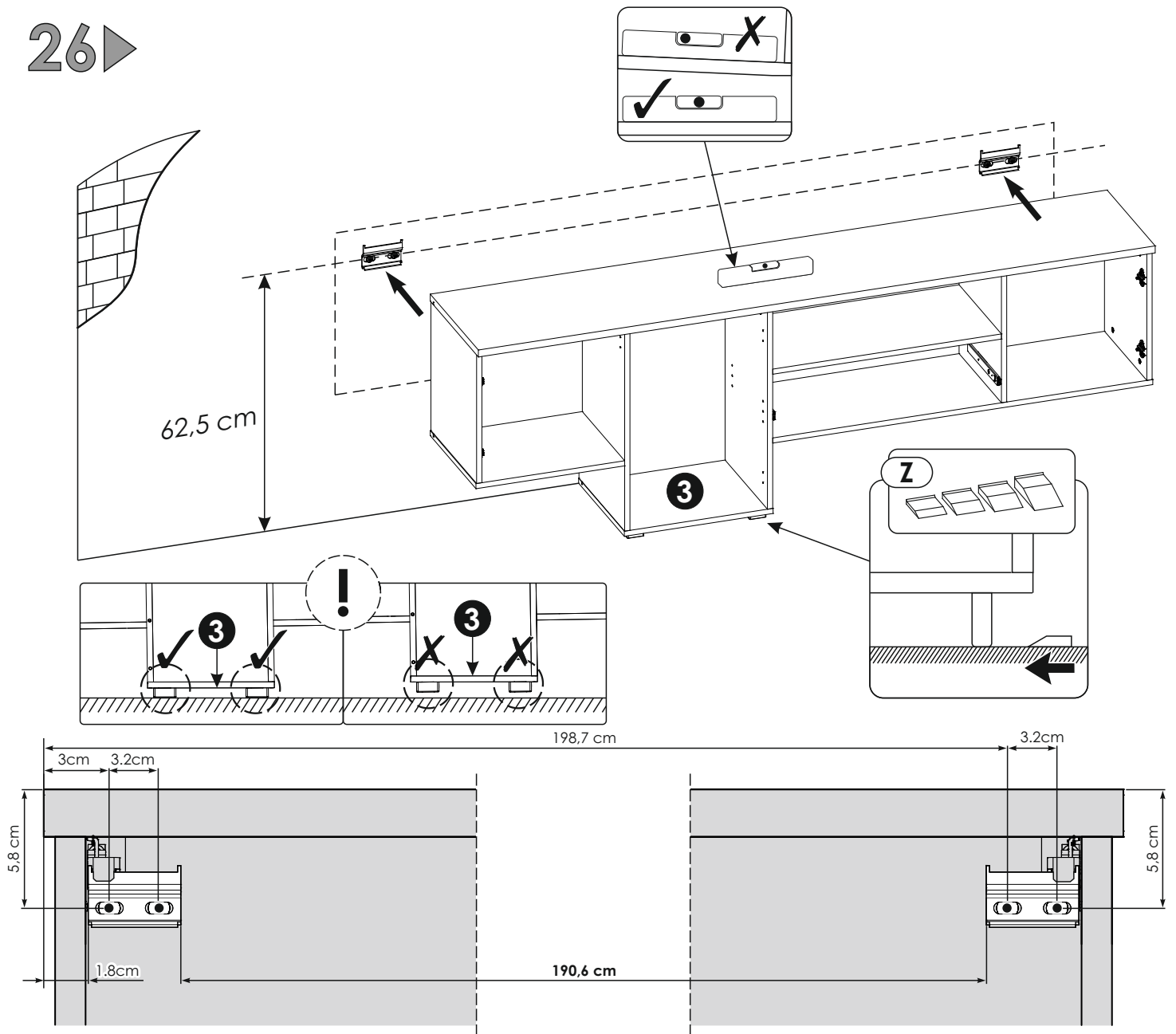
24 ▶



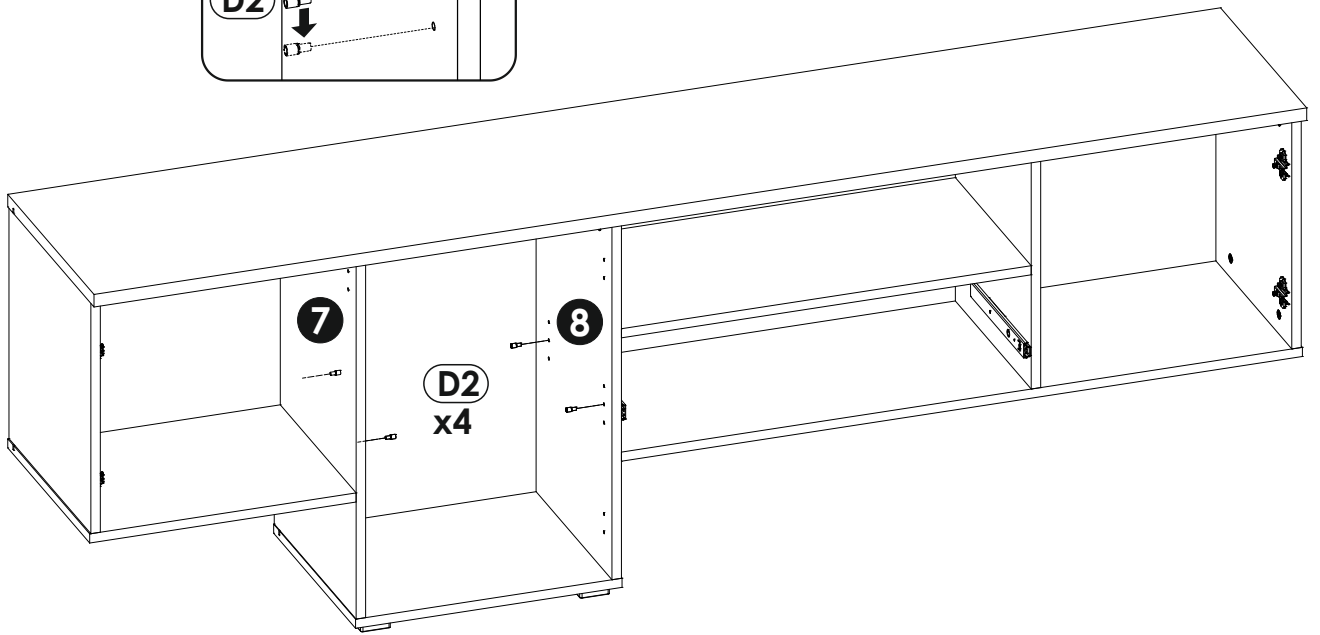
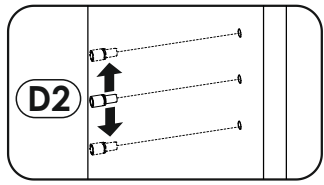
A=B



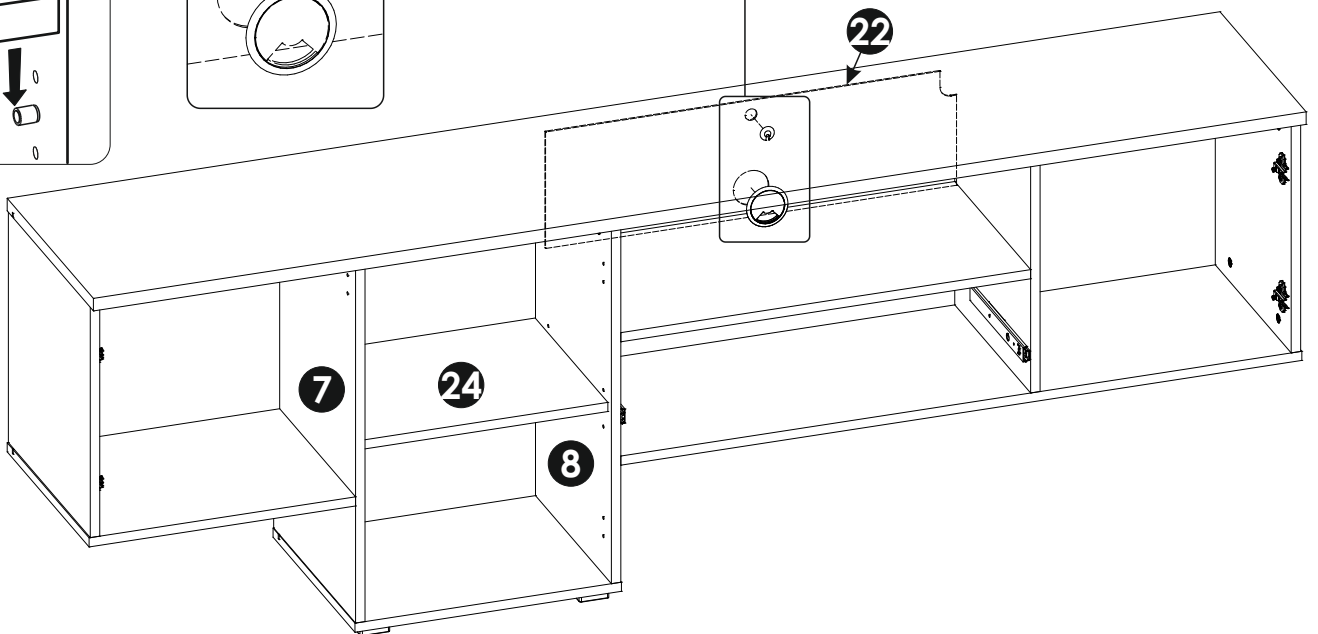
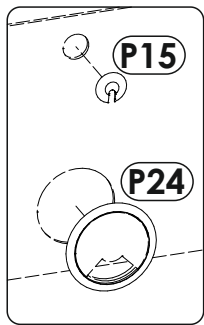
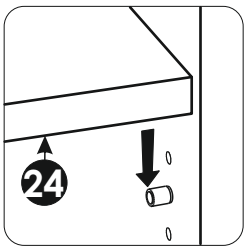




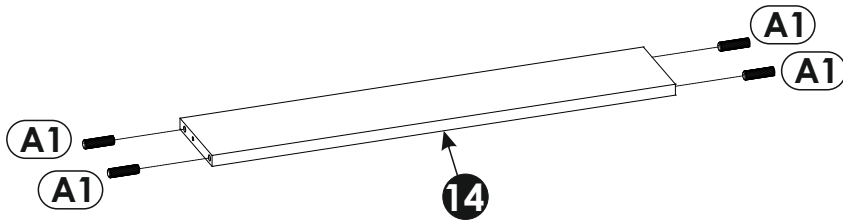
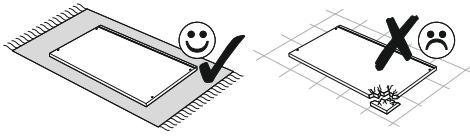
27▶



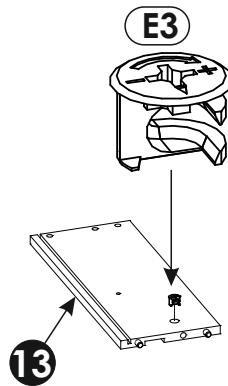
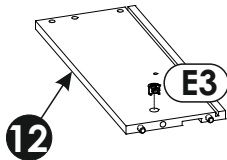
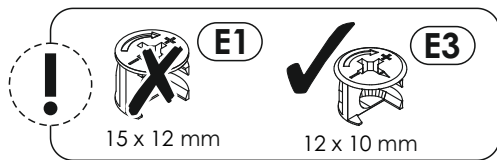
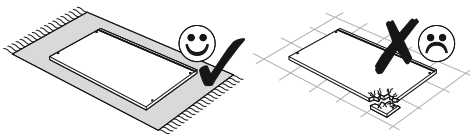
28▶



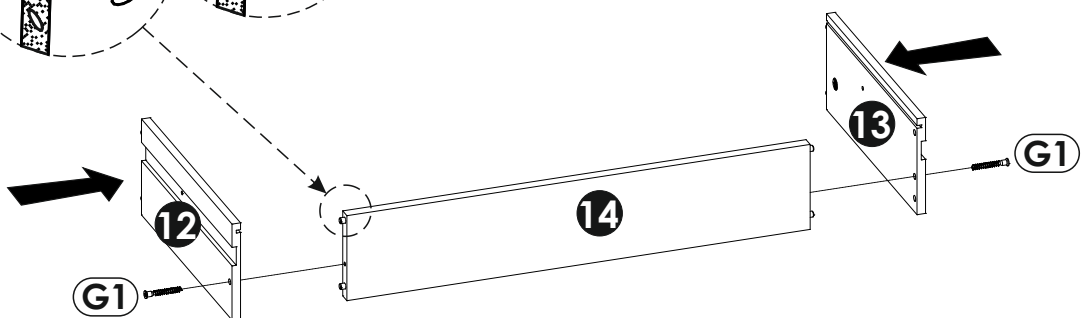
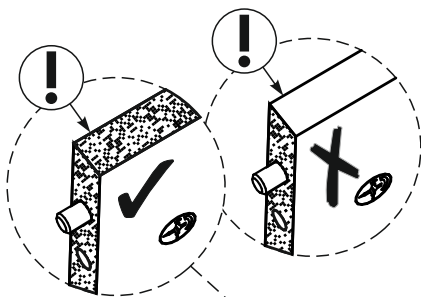
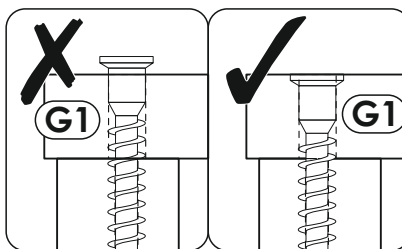
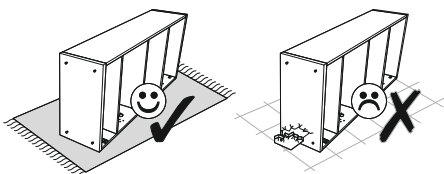
29 ▶

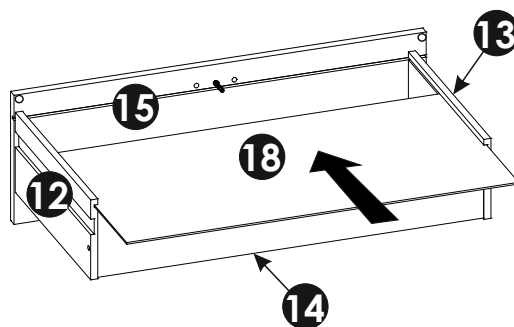
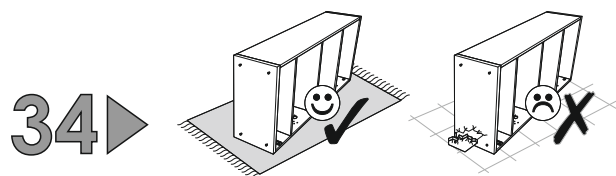
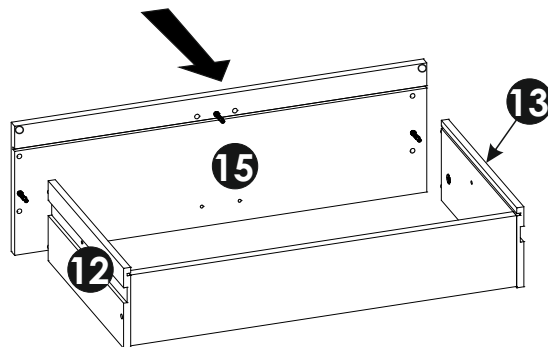
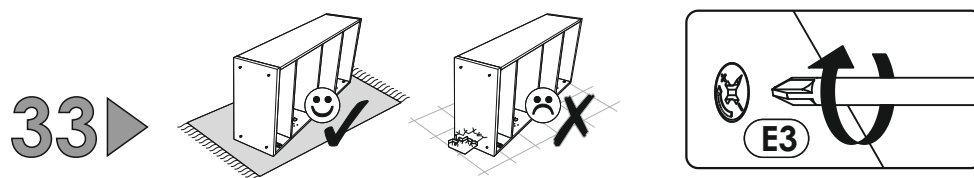
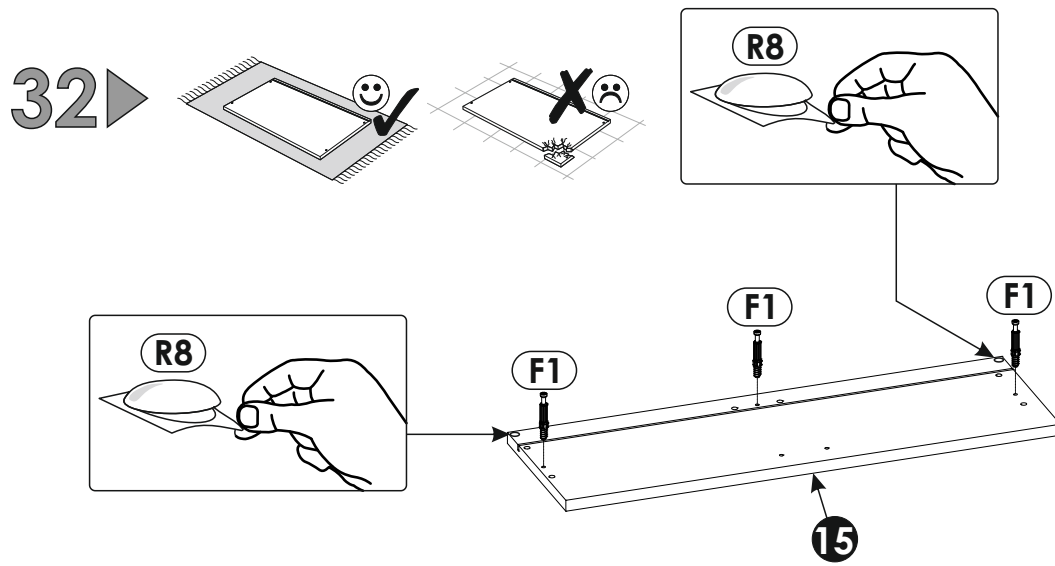


30 ▶

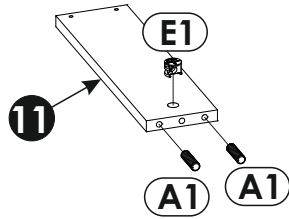
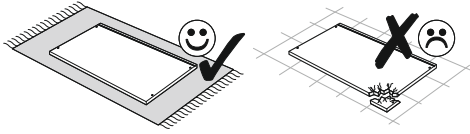


31 ▶

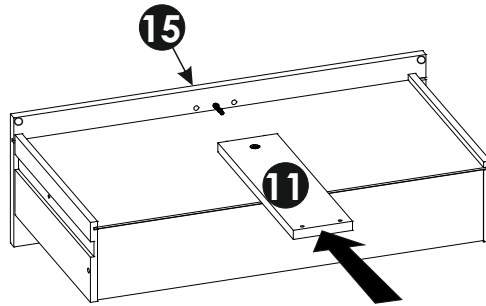
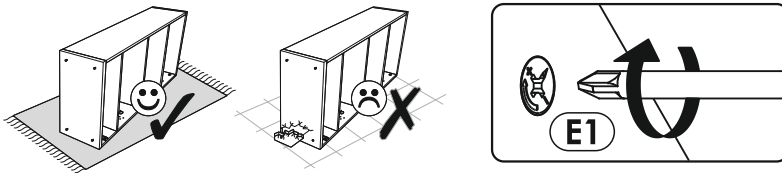




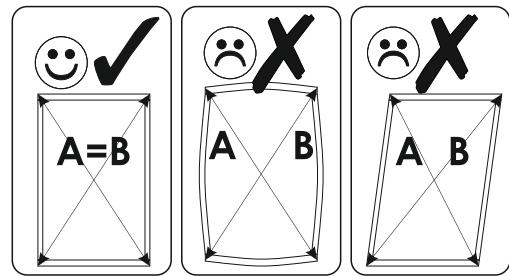
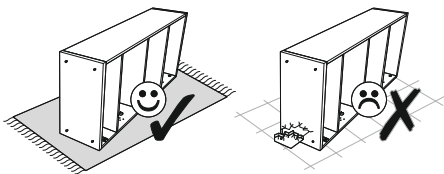
35 ▶



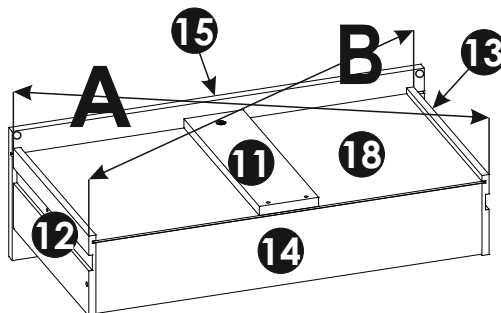
36 ▶



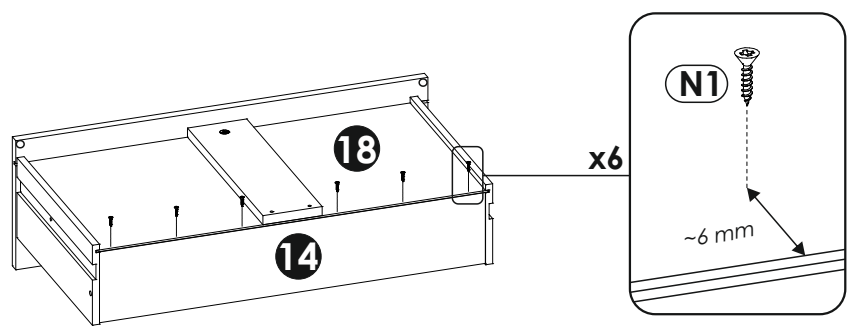
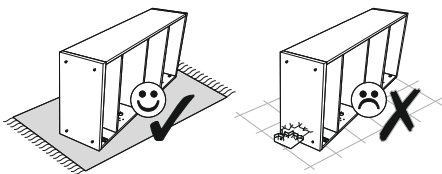
37 ▶



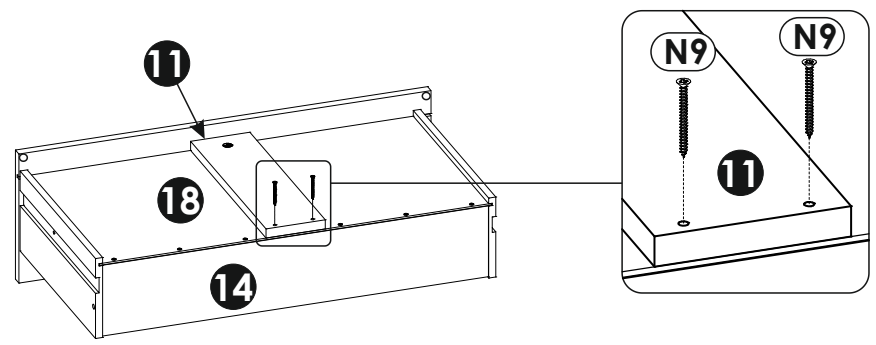
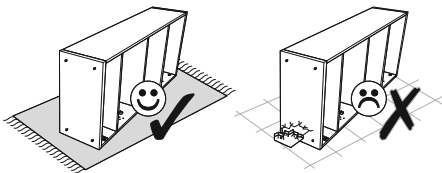
A=B



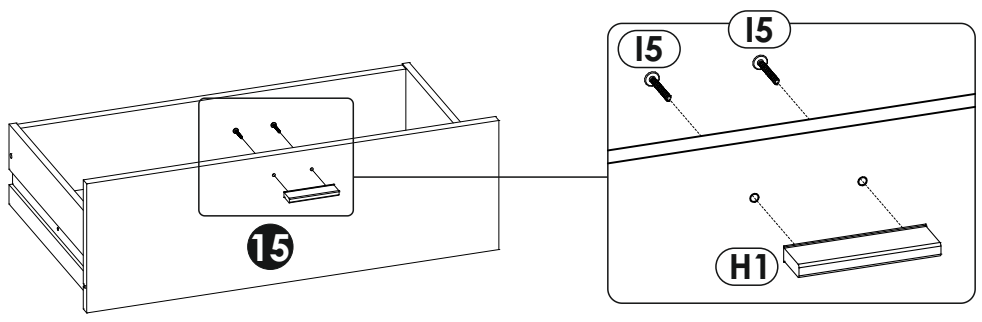
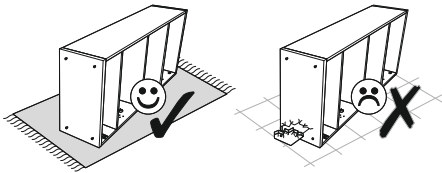
38 ▶



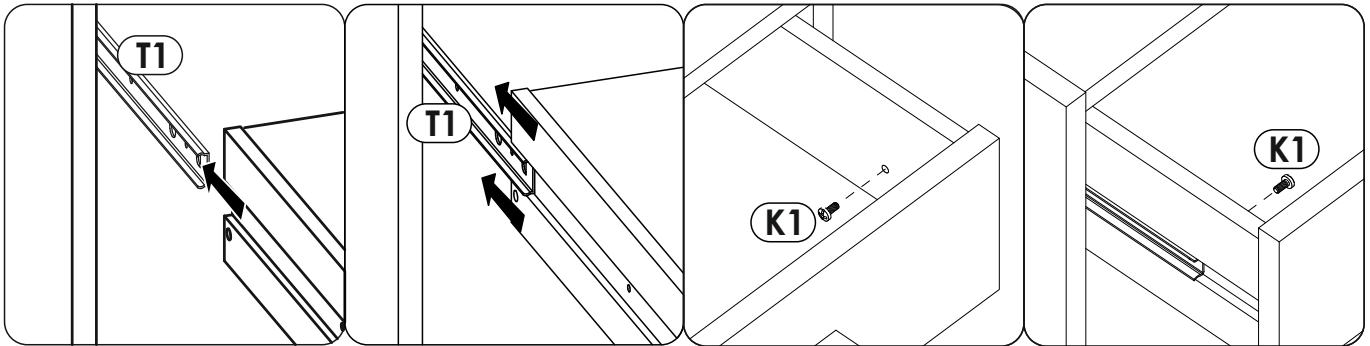
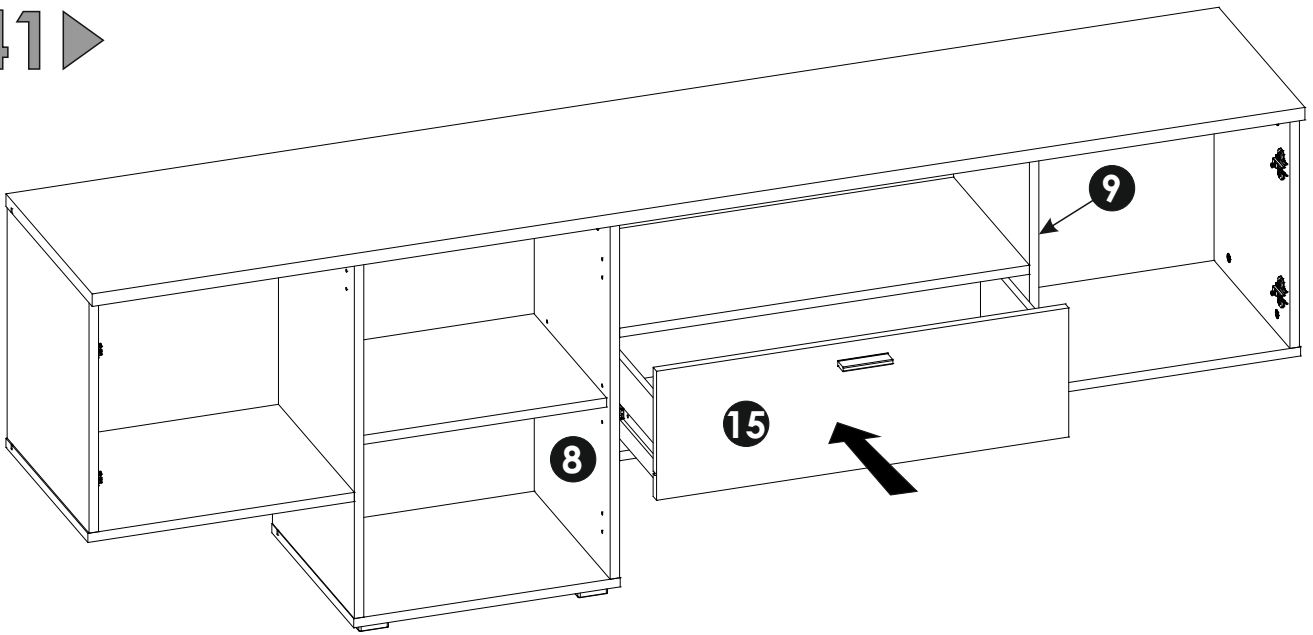
39 ▶



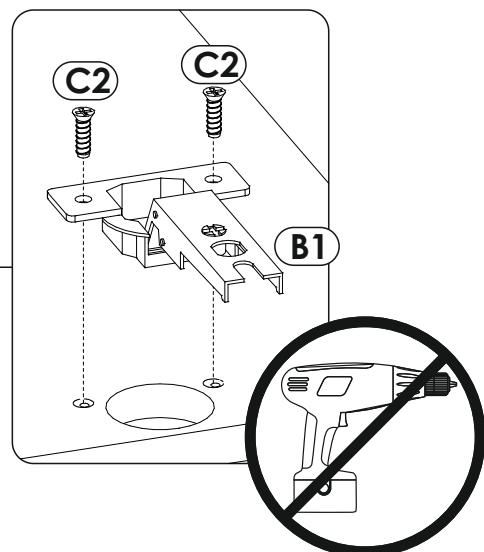
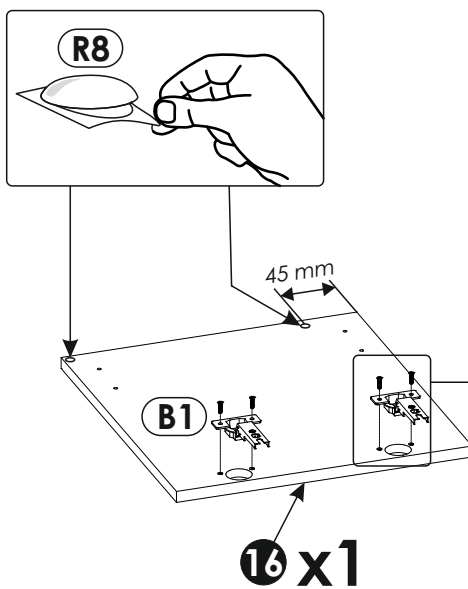
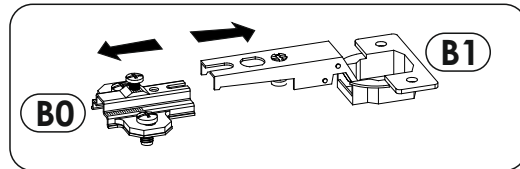
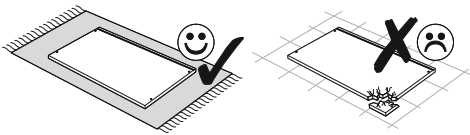
40 ▶



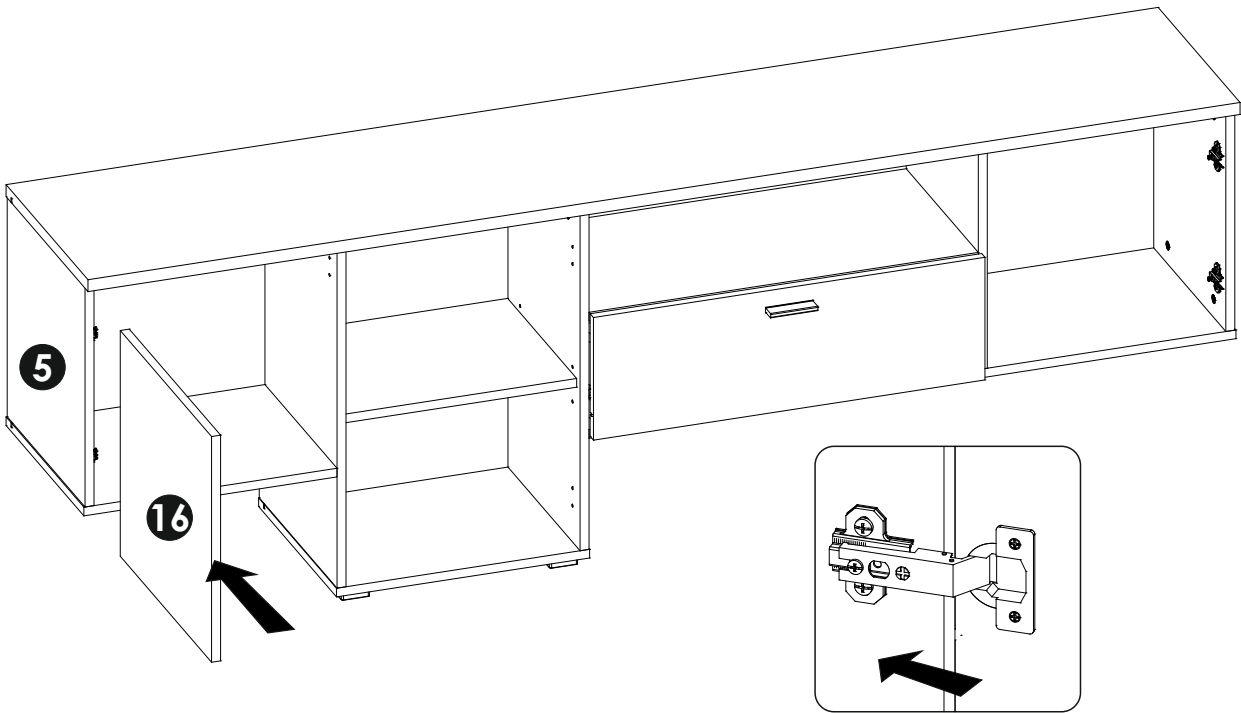
41 ▶



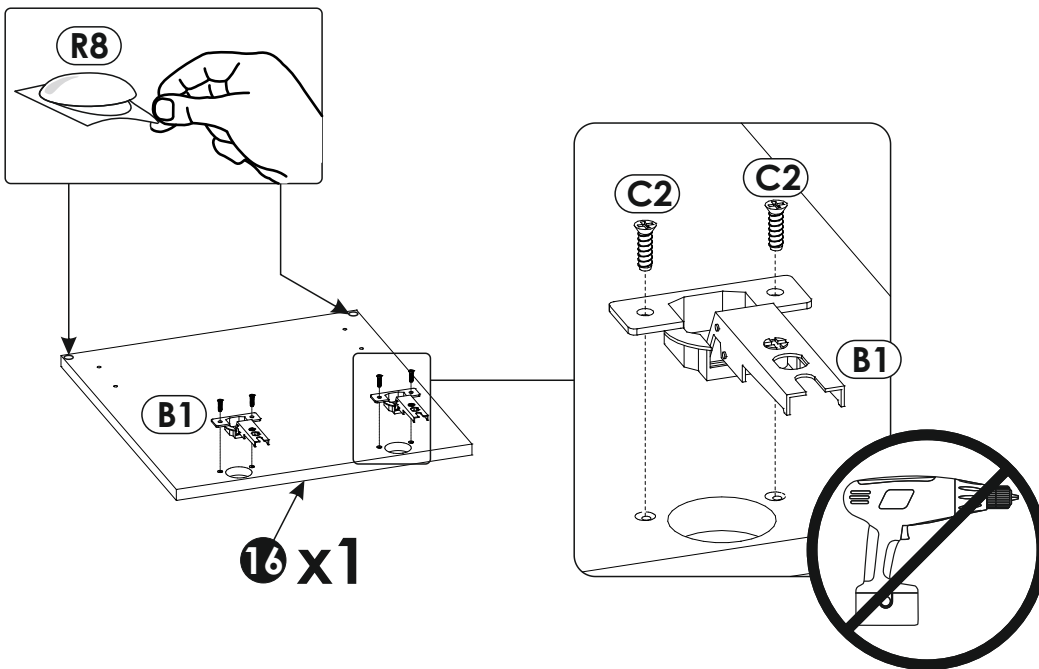
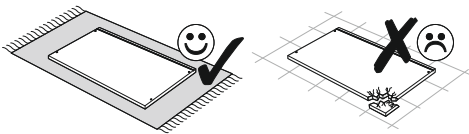
42 ▶



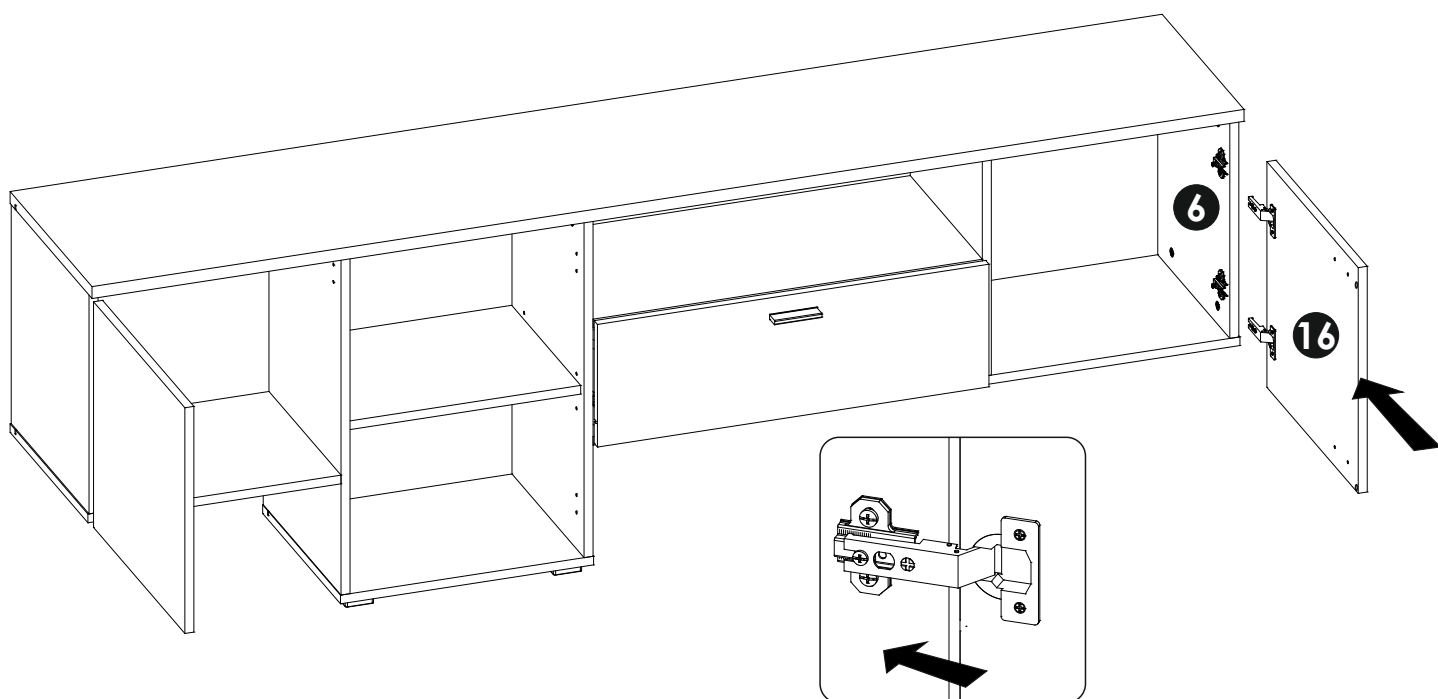
43▶



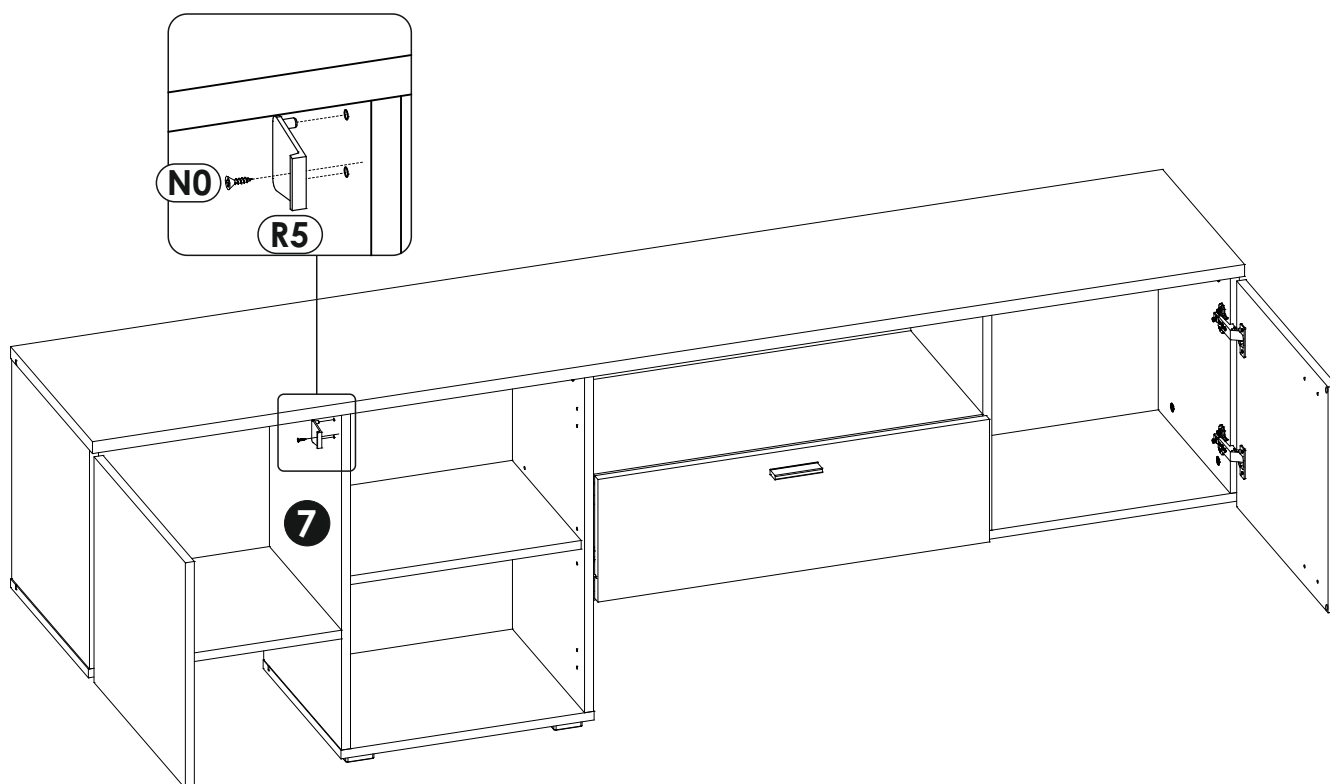
44▶



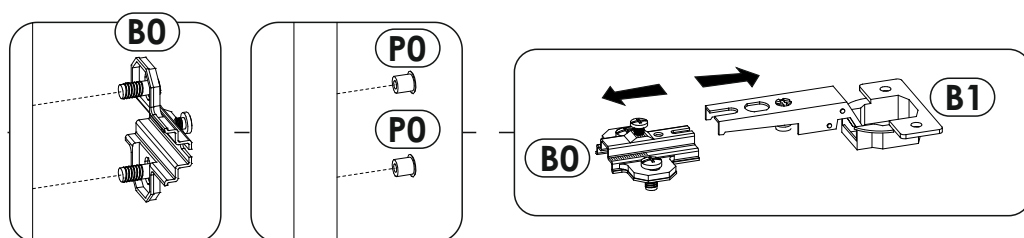
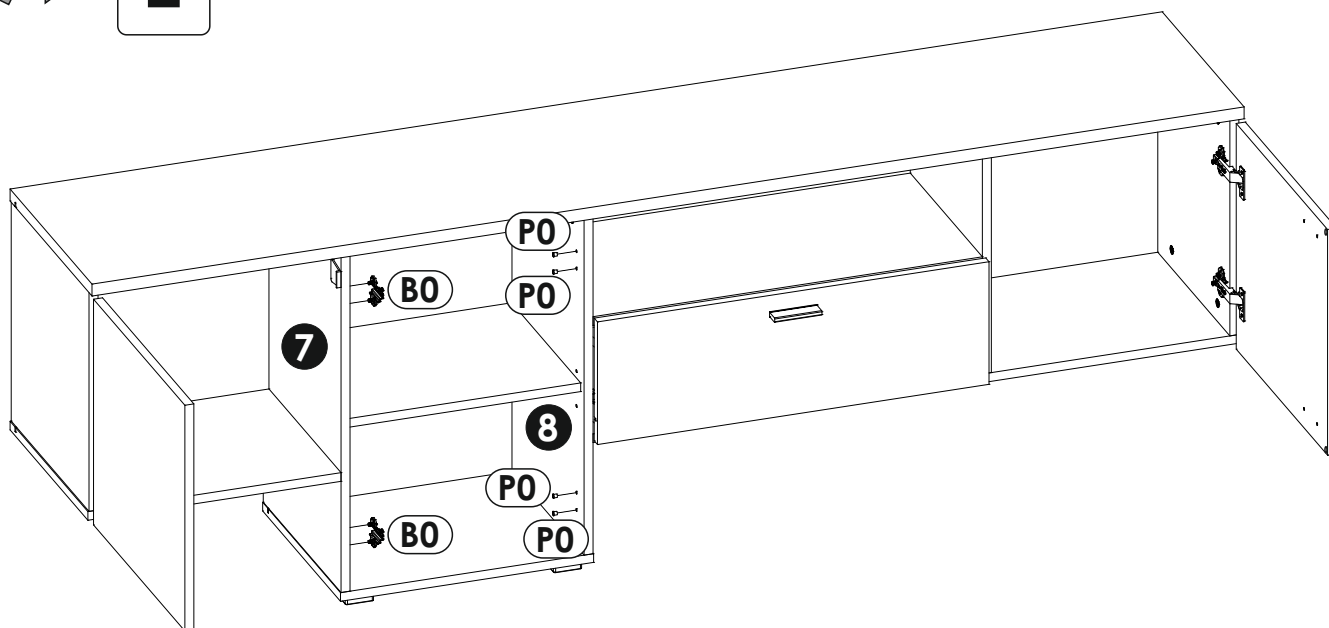
45 ▶



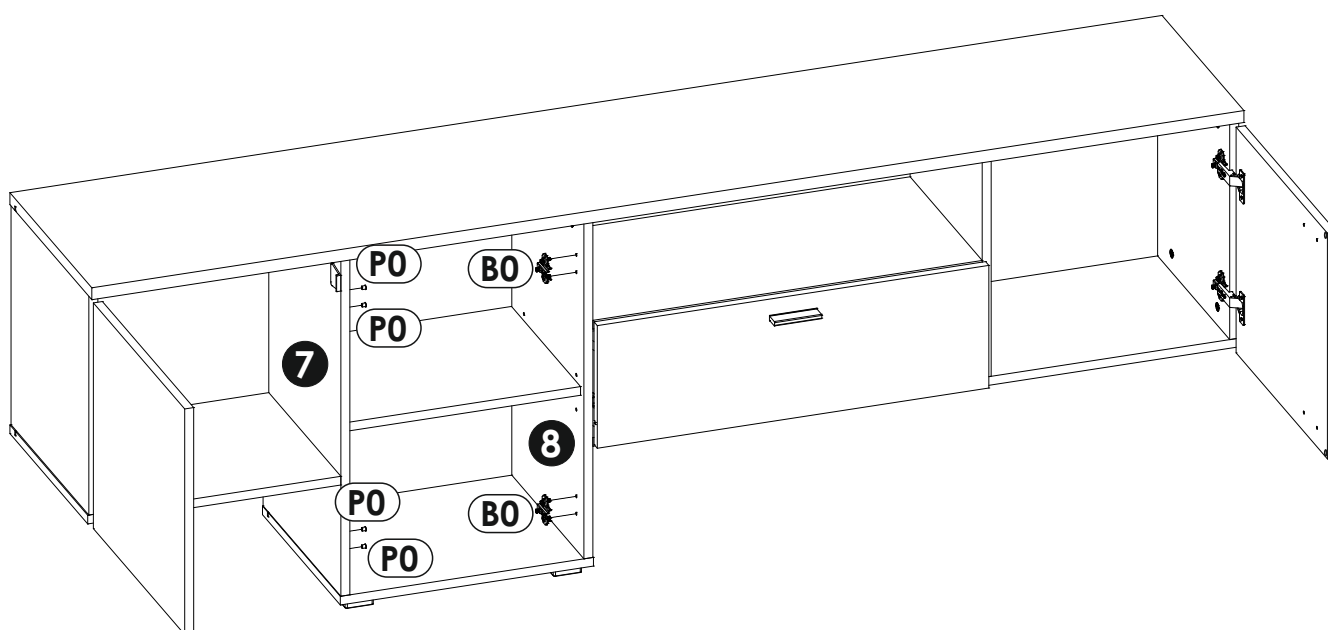
46 ▶



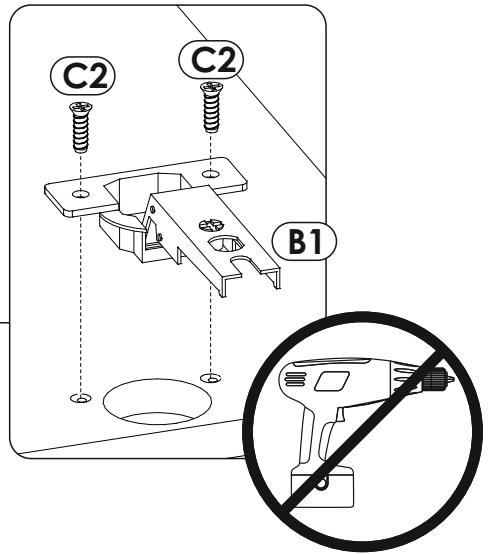
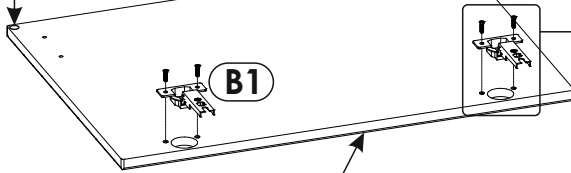
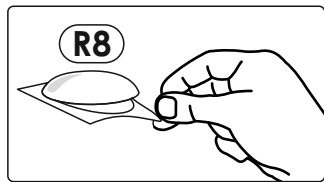
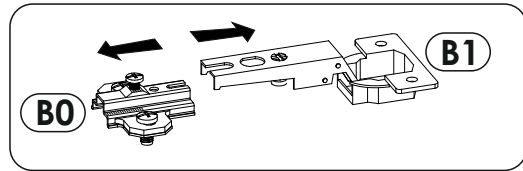
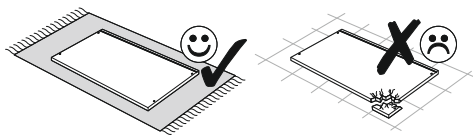
47 ▶ **L**



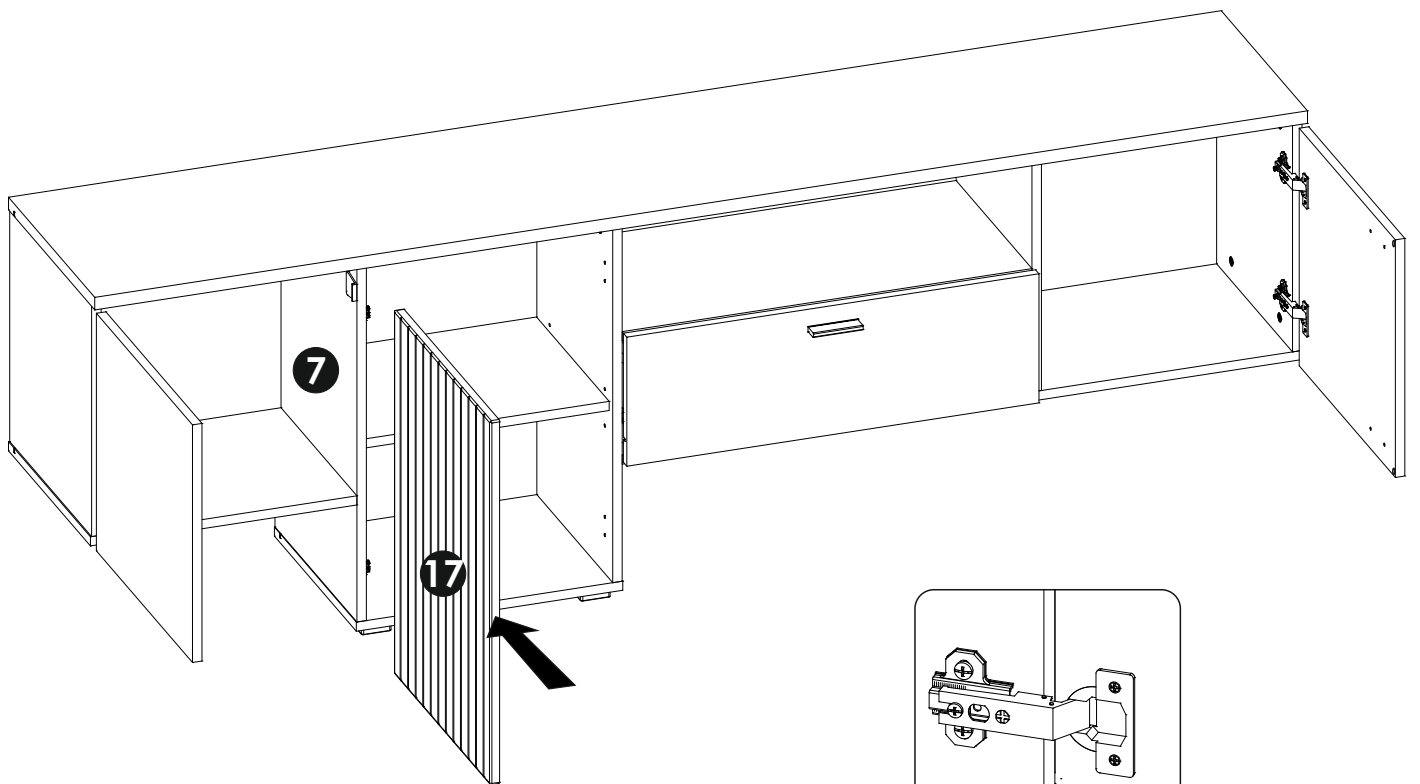
R



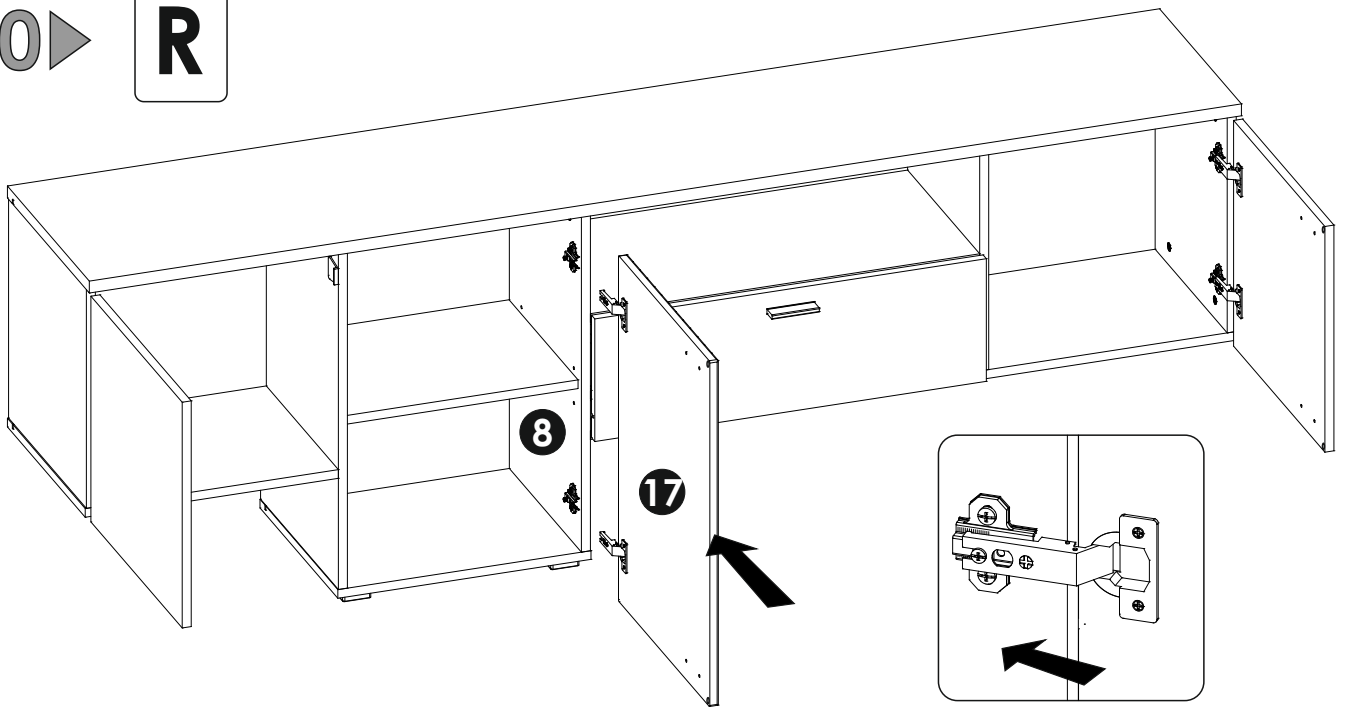
48 ▶



49 ▶



50 ▶ **R**



51 ▶ **L**

