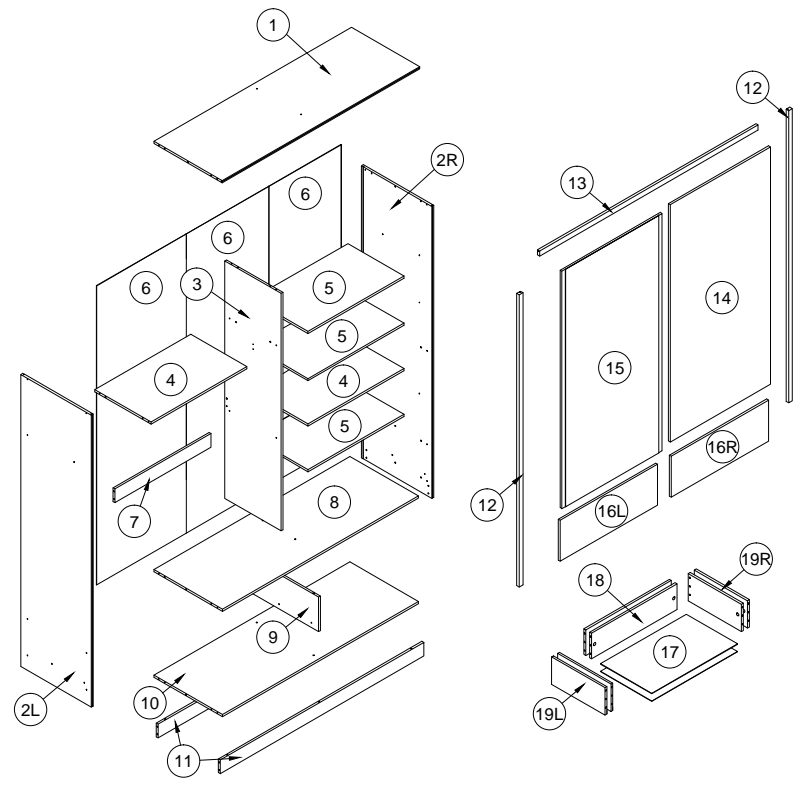
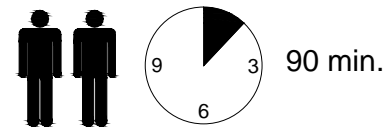
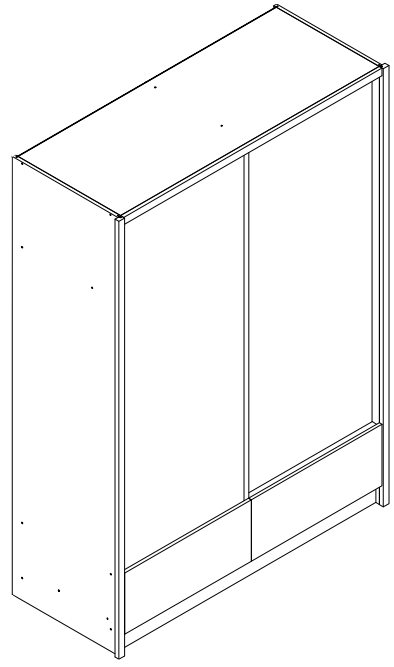
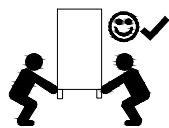
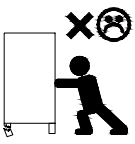
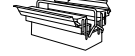
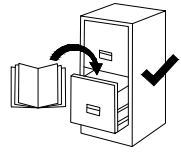
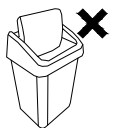
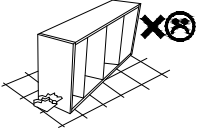
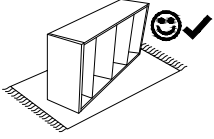
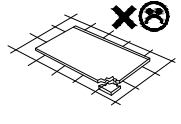
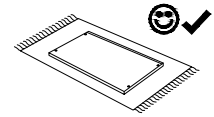
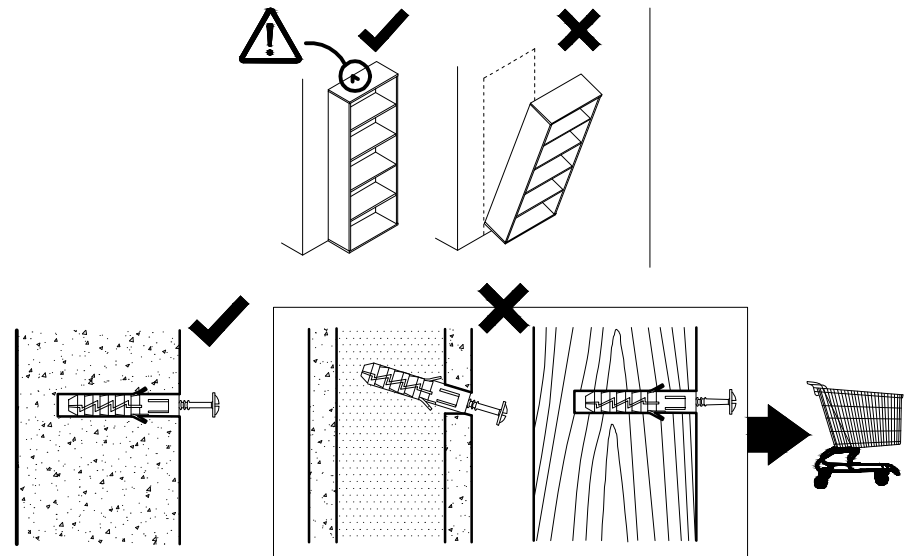
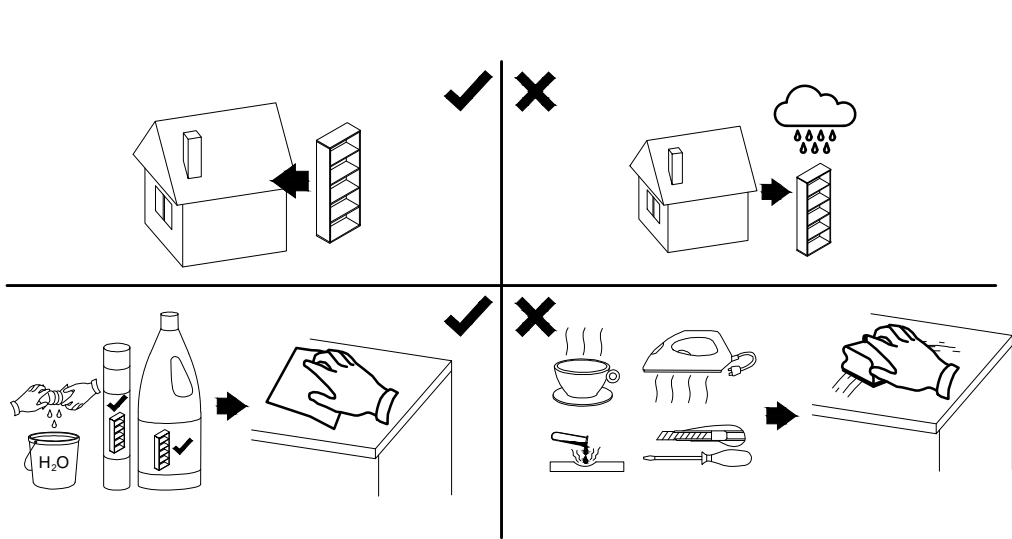
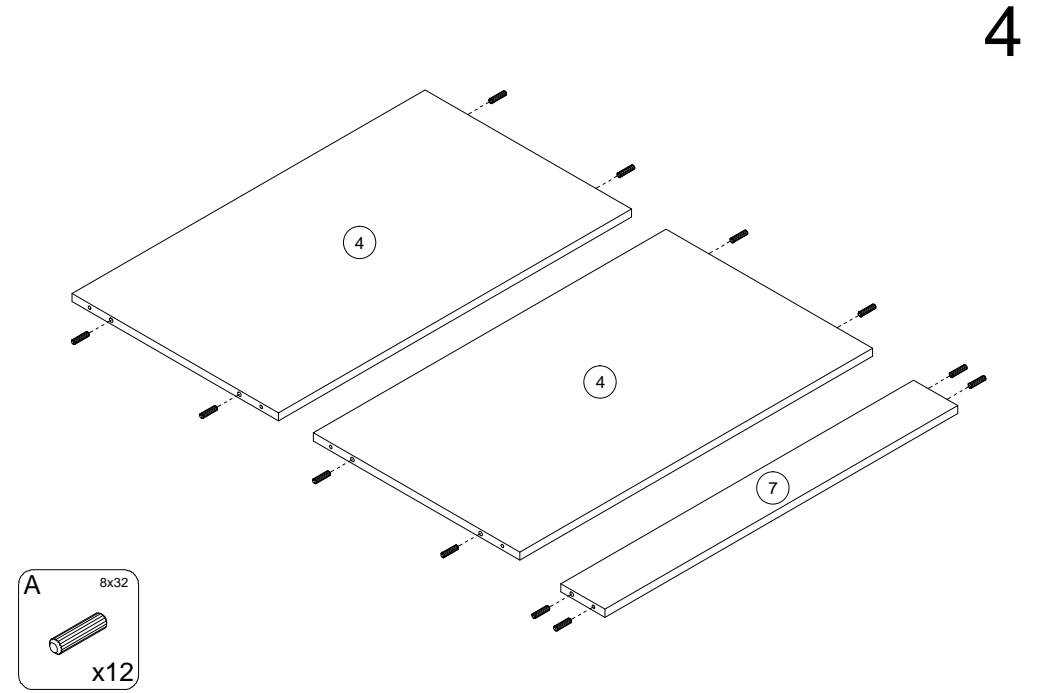
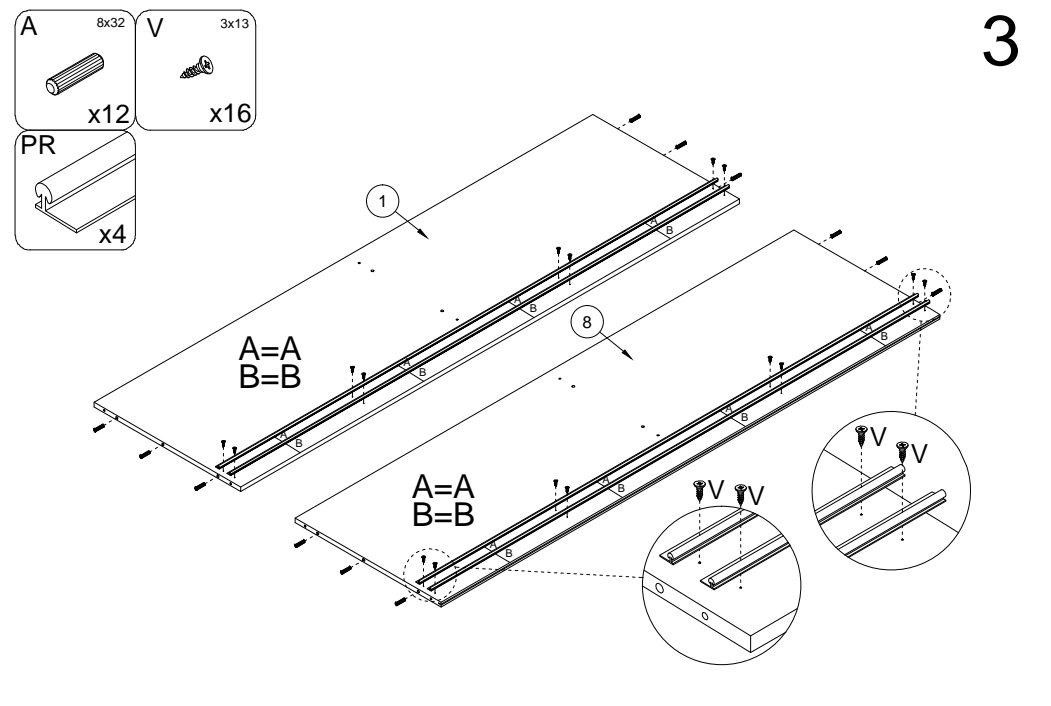
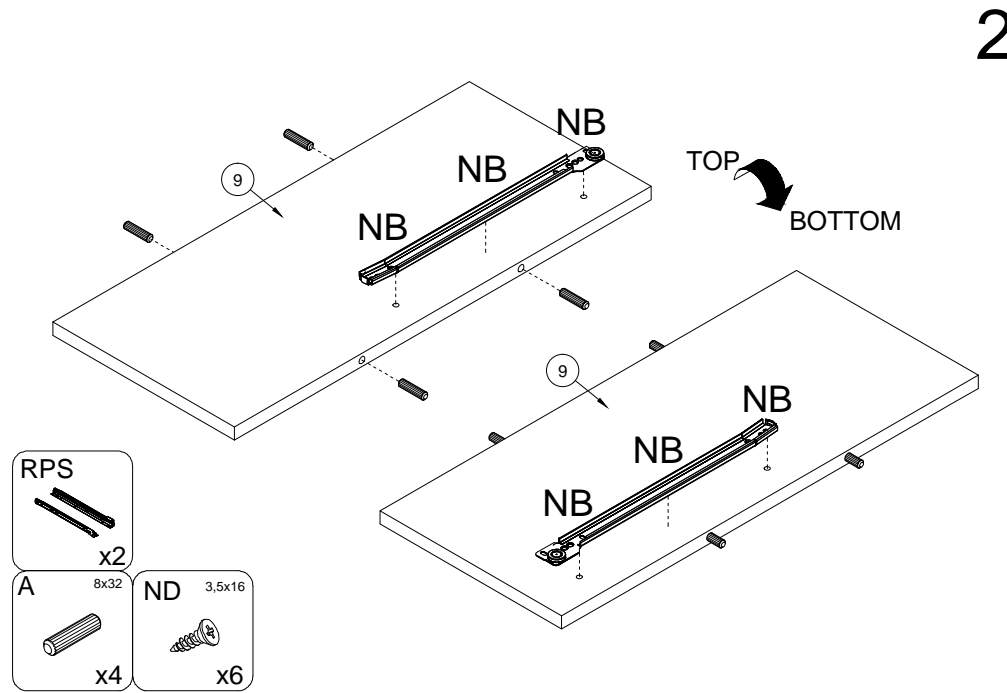
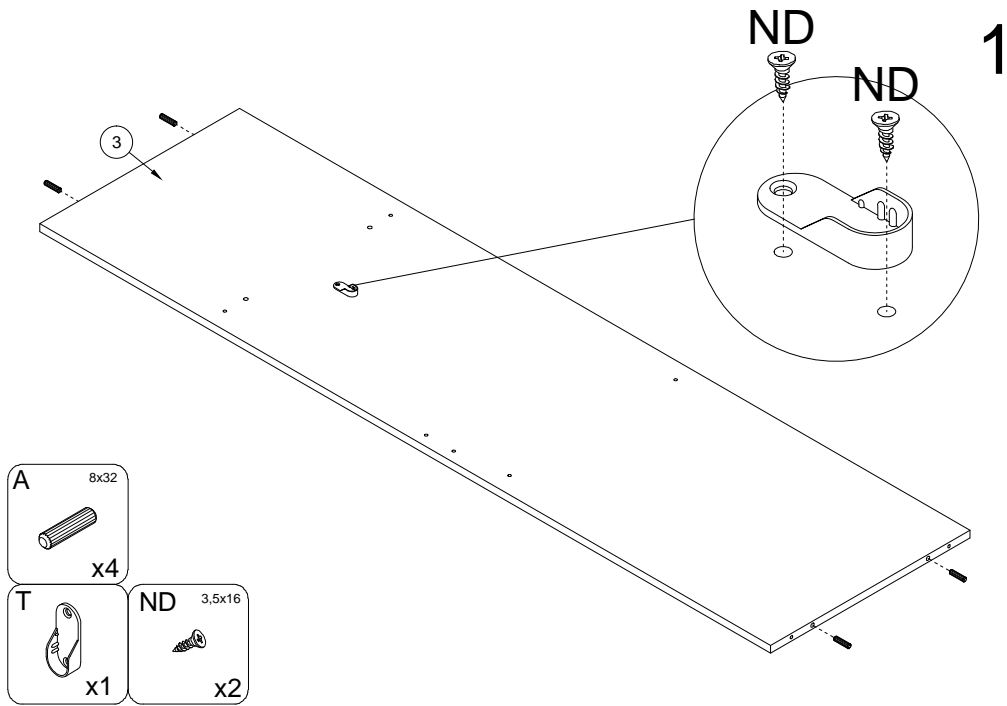


130

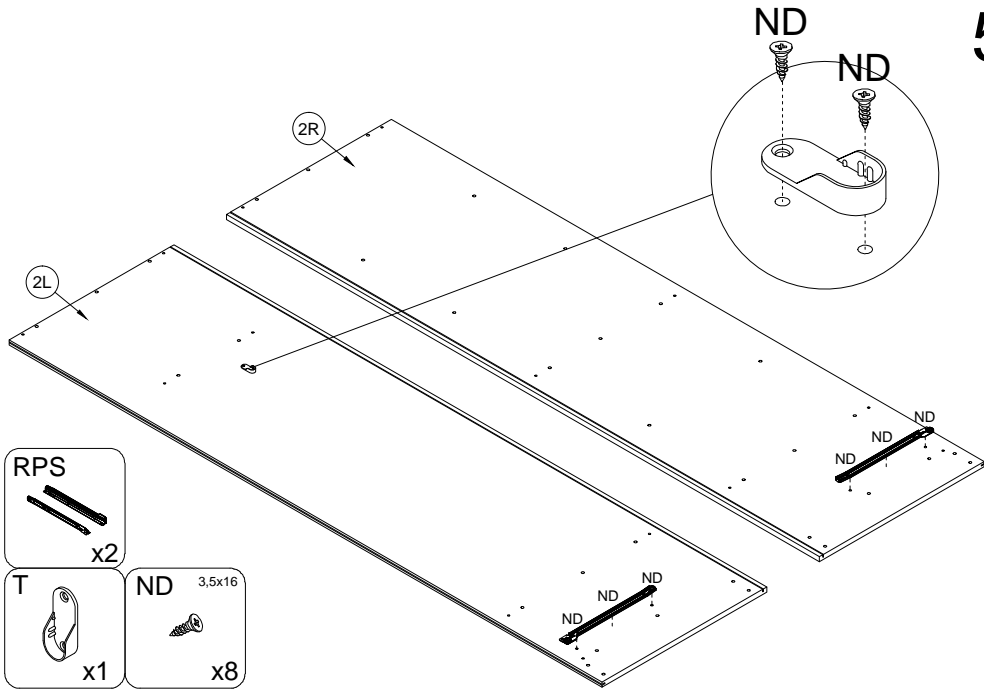


		LM		ZB	
		x16		x12	
S	L-2008mm	N	3x20	W6	L-618mm
	x2		x55		x1
		SP		B	
			x8		x8
C		Z		SZP	
	x8		x4		x2
A	8x32	RPS		X	
	x68		x2		x10
GLUE		SEV		DB	L-1715mm
	x2		x3		x2
H	6,3x13	DA			
	x16		x4		
T		ND	3,5x16	V	3x13
	x2		x48		x16
PR		YD	7x50	WB	
	x4		x24		x1
ZG		D			
	x20		x4		

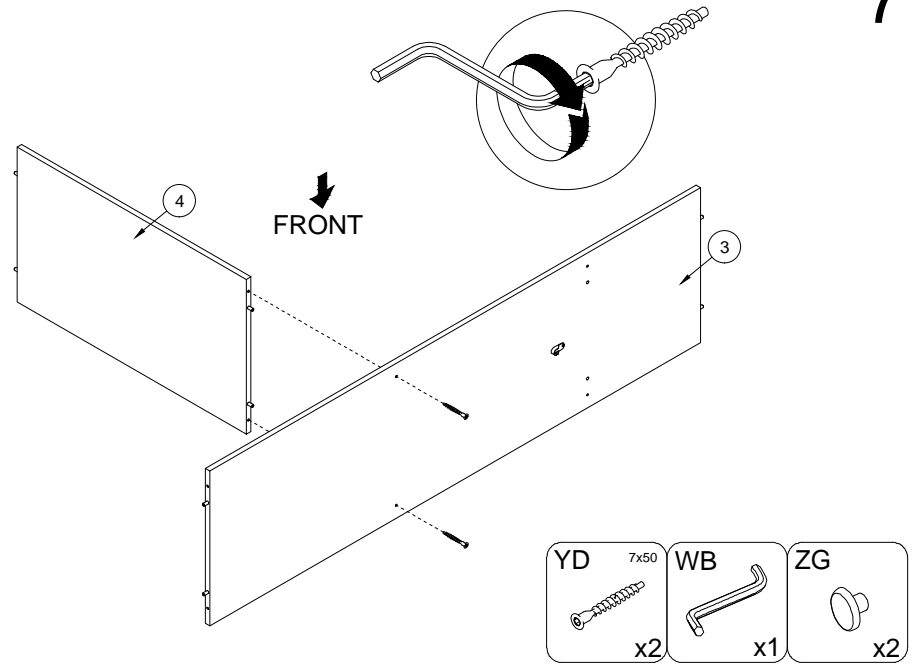




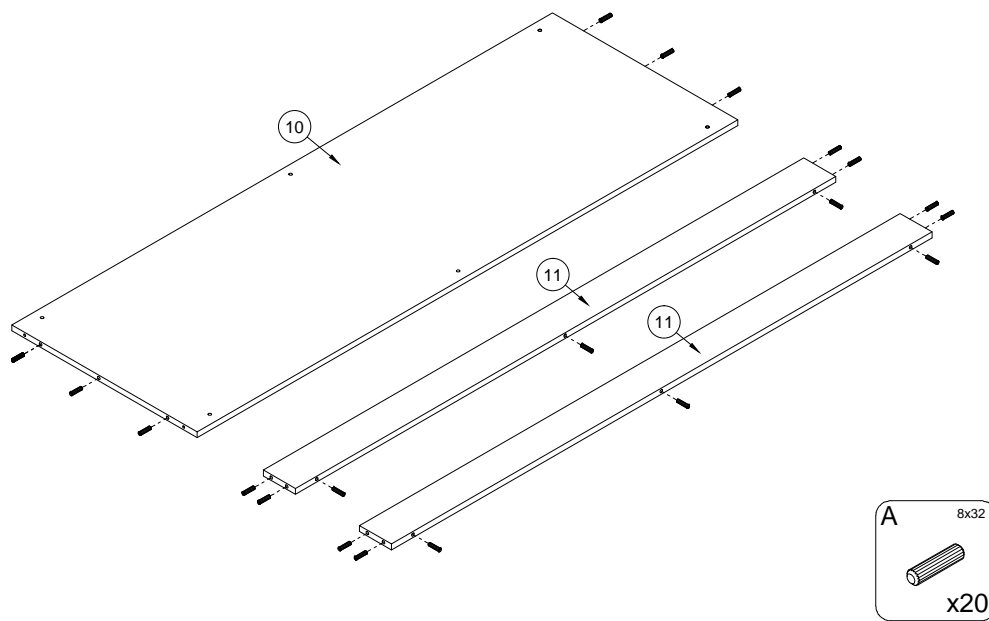
5



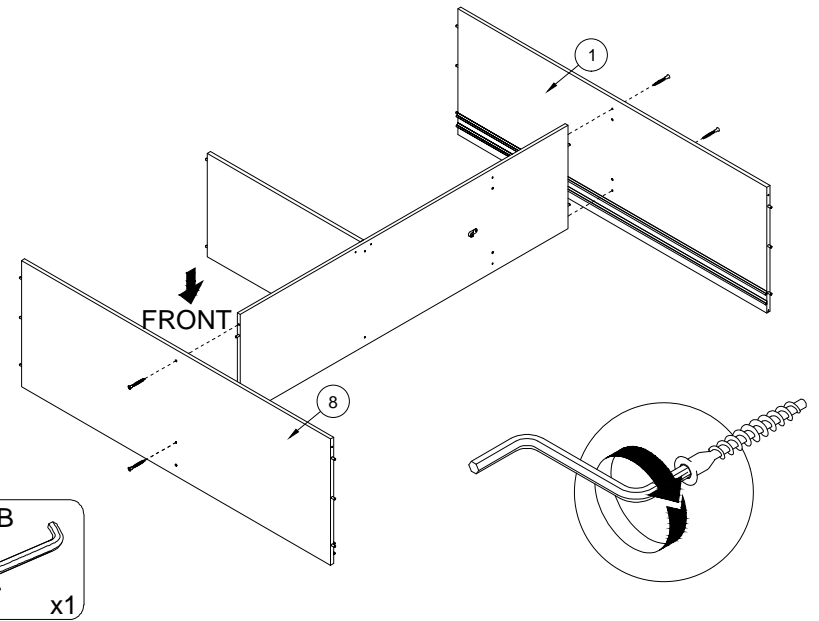
7

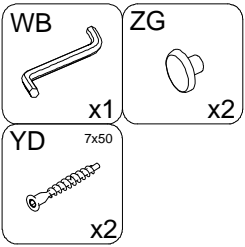


6

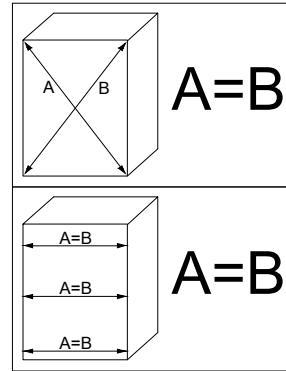
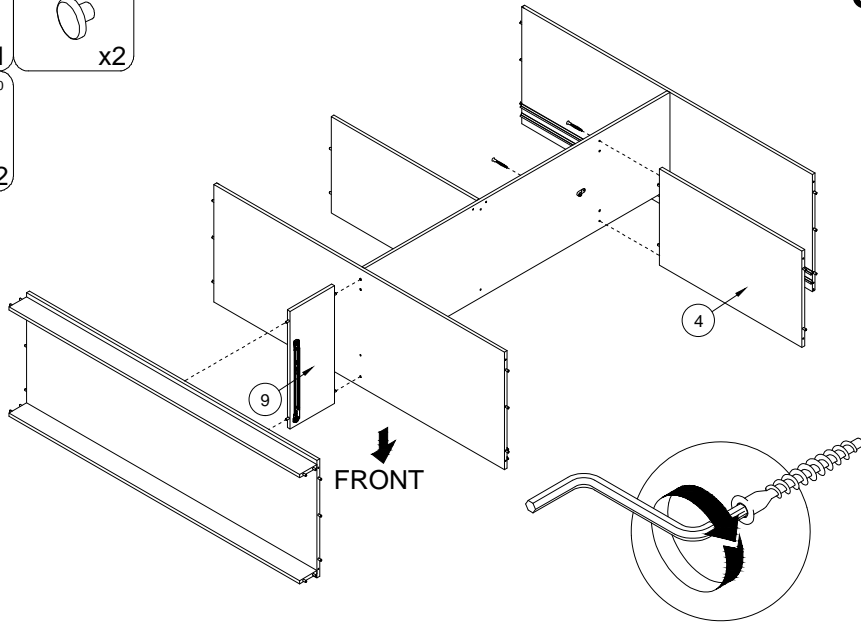


8

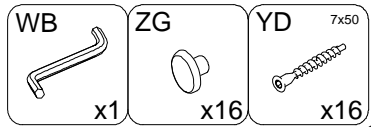




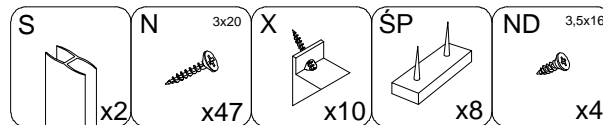
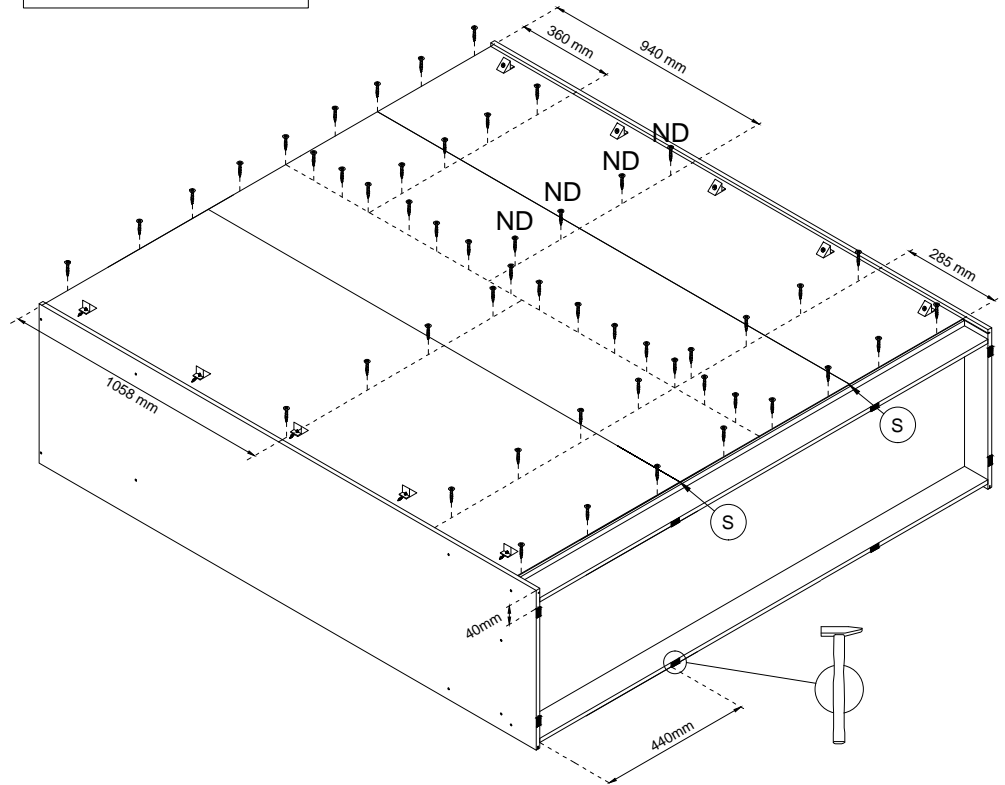
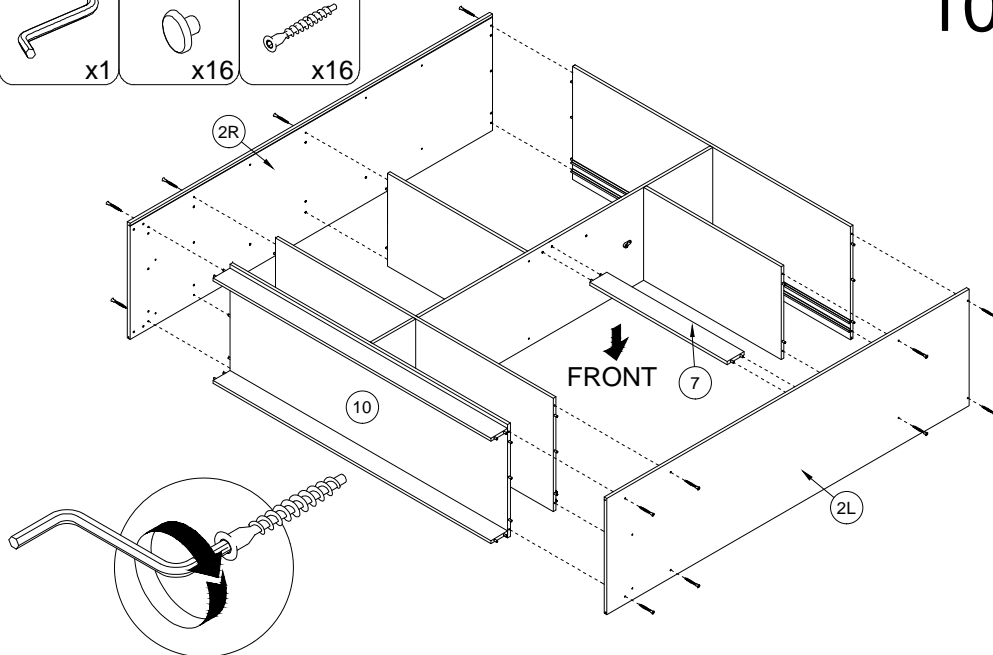
9



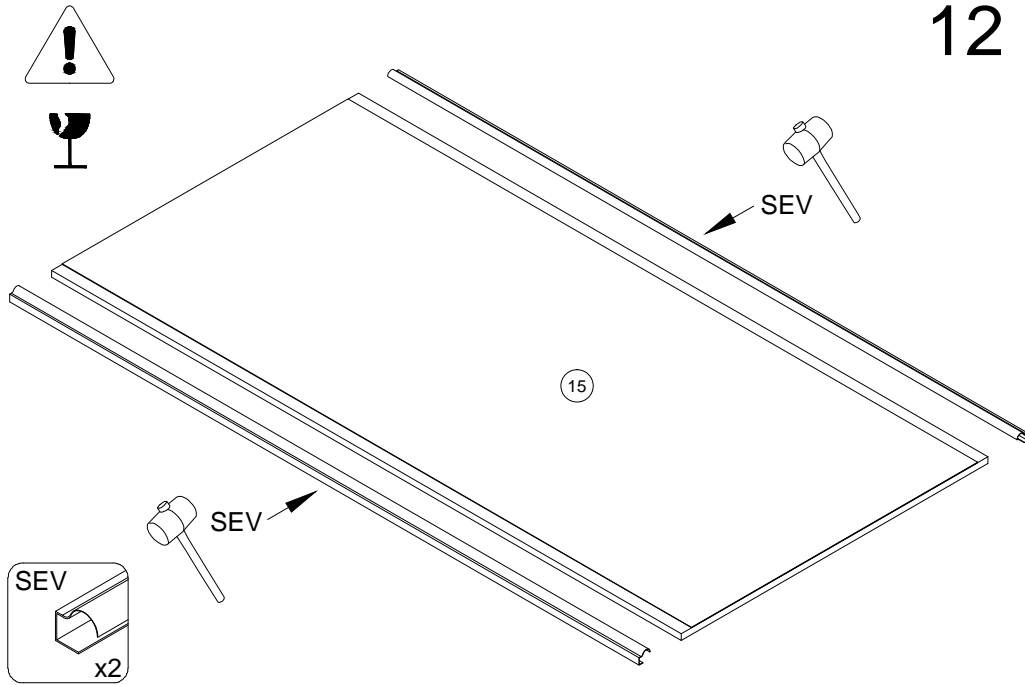
11



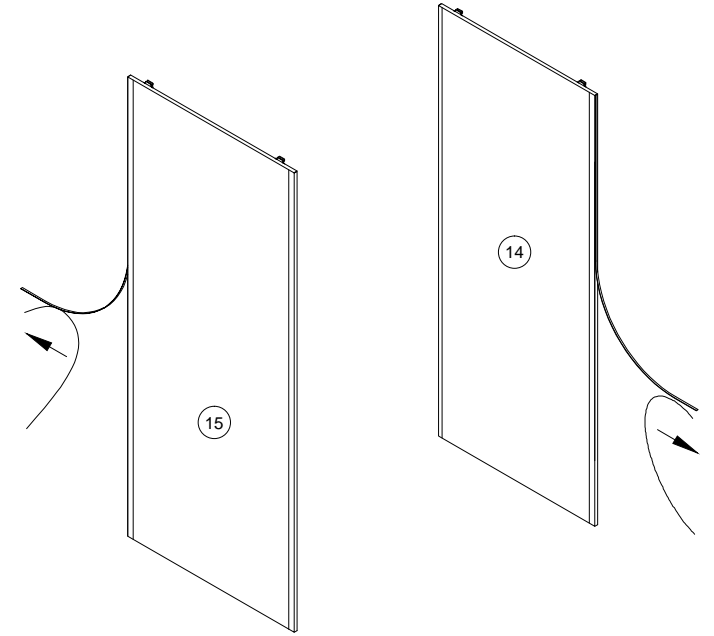
10



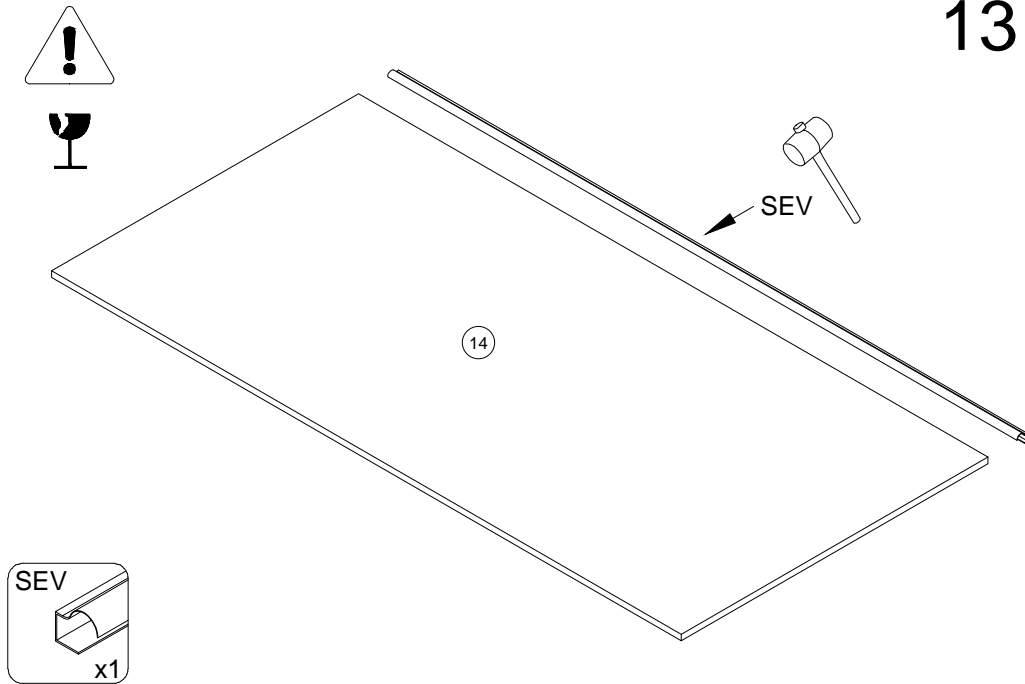
12



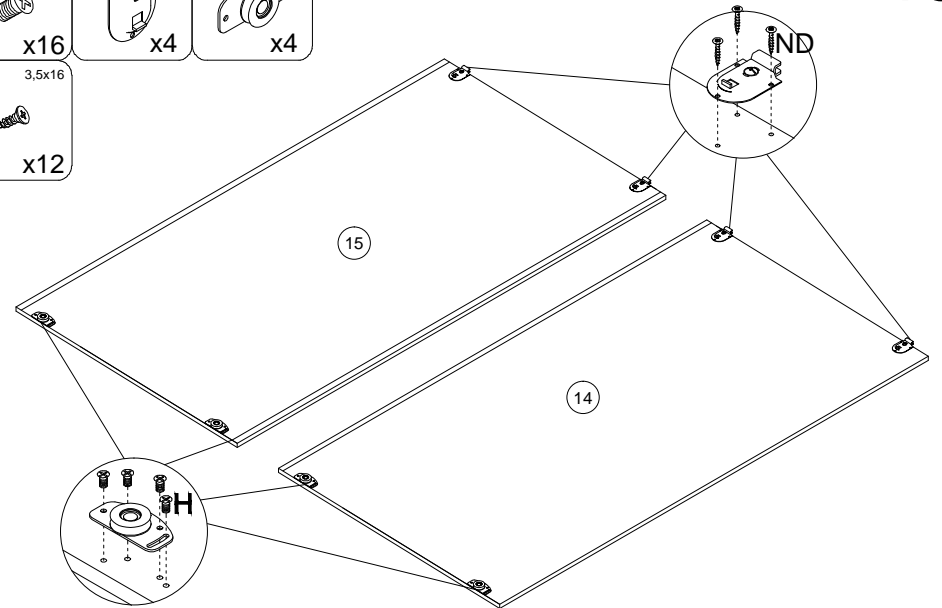
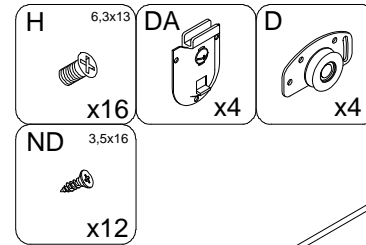
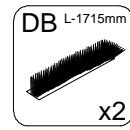
14



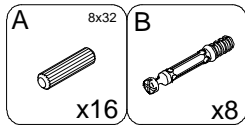
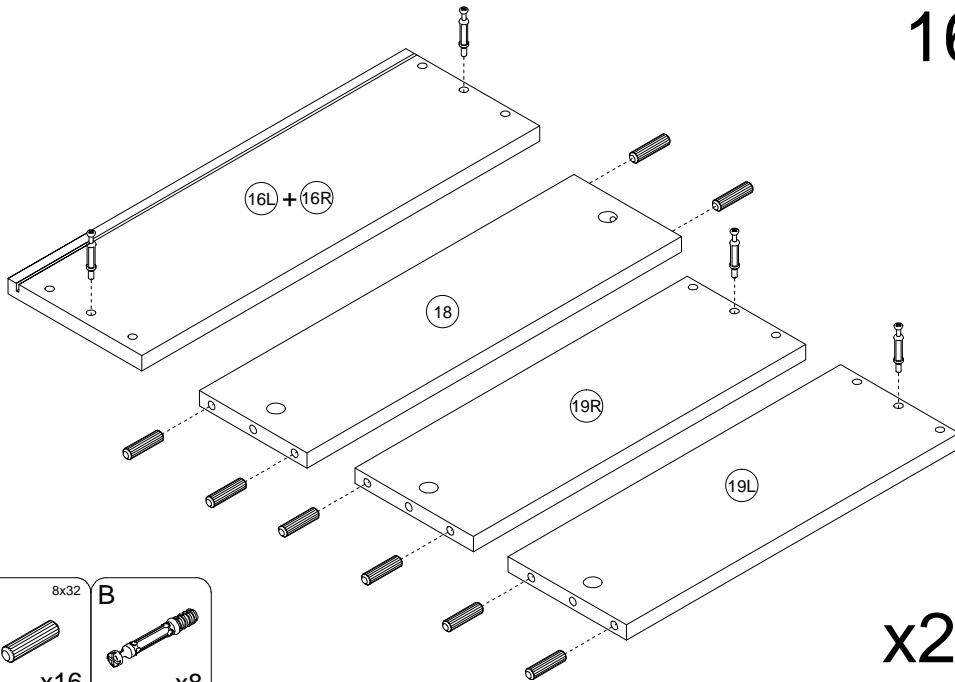
13



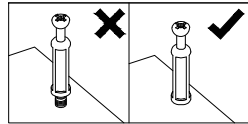
15



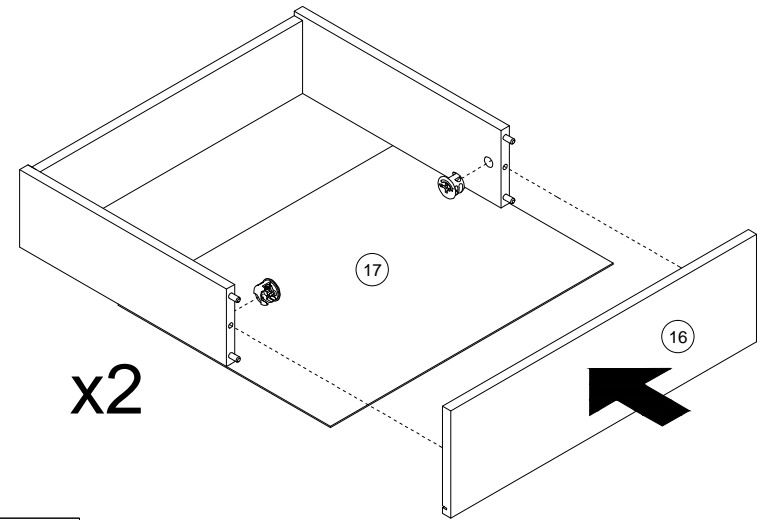
16



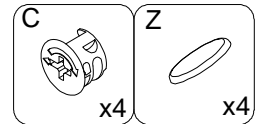
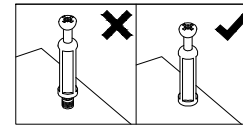
x2



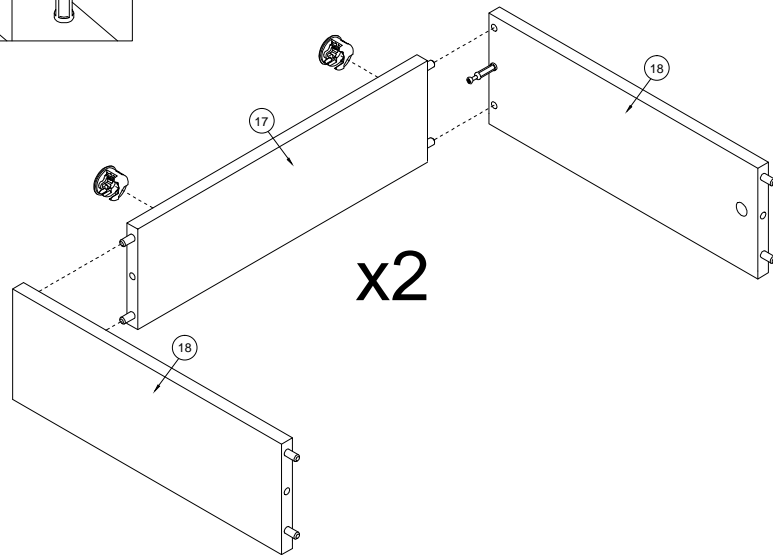
18



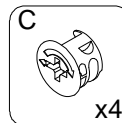
x2



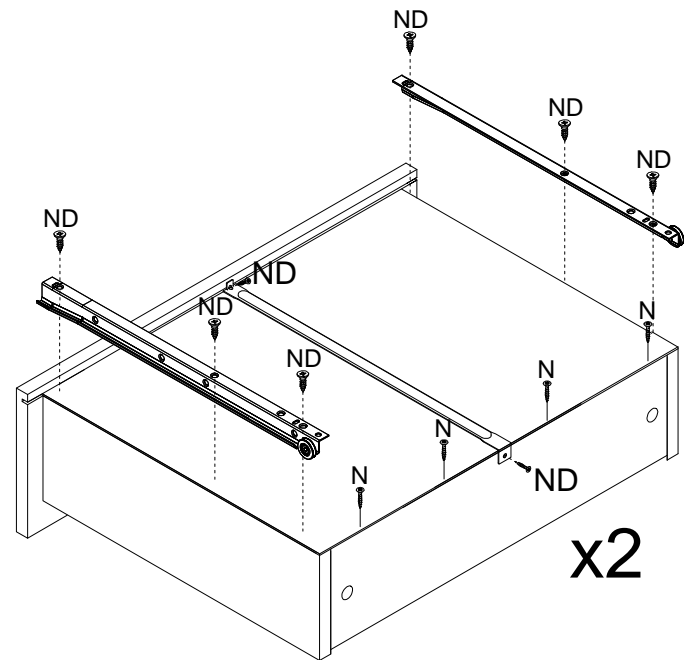
17



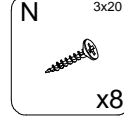
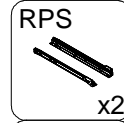
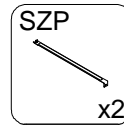
x2



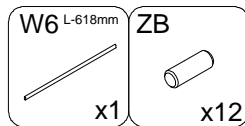
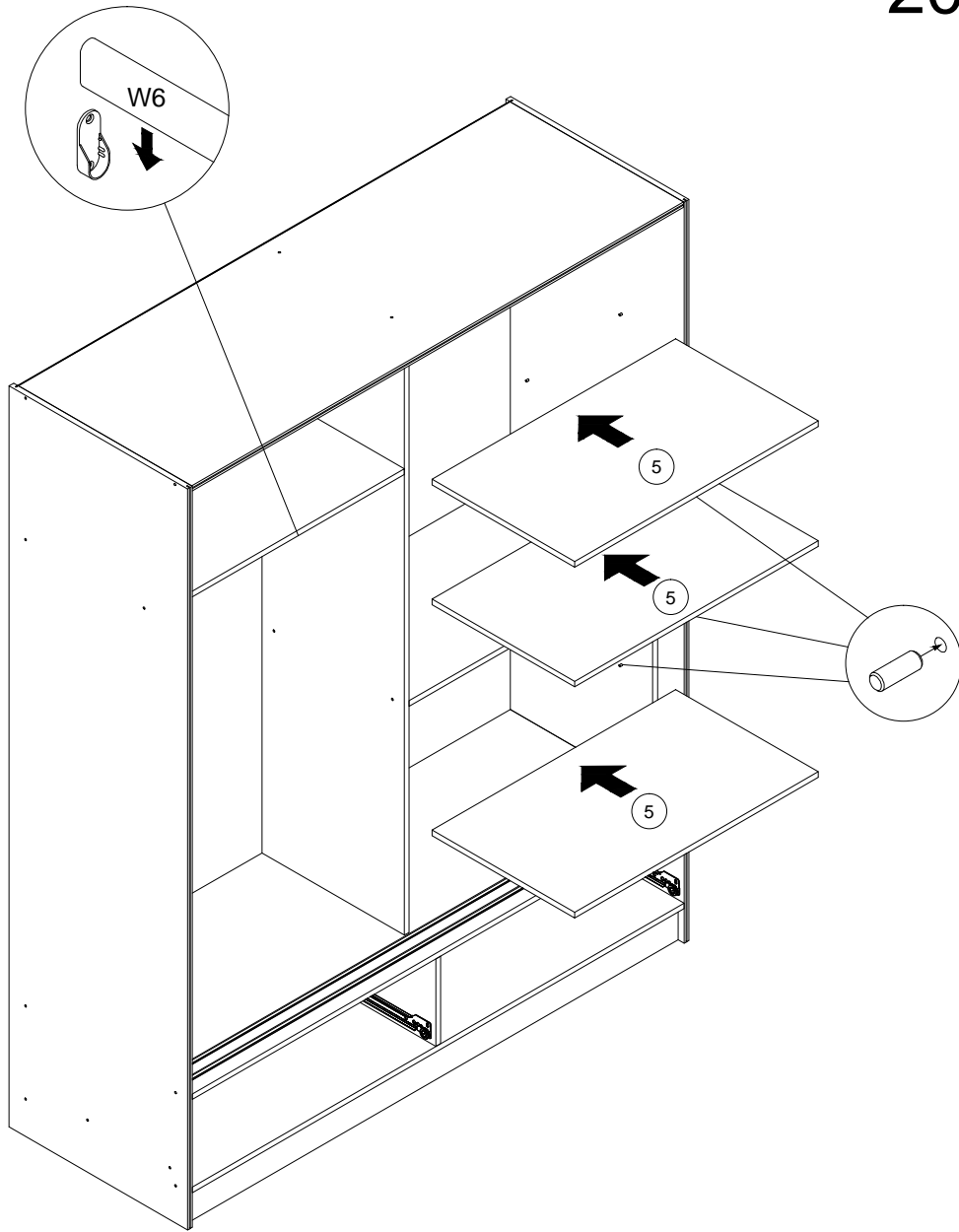
19



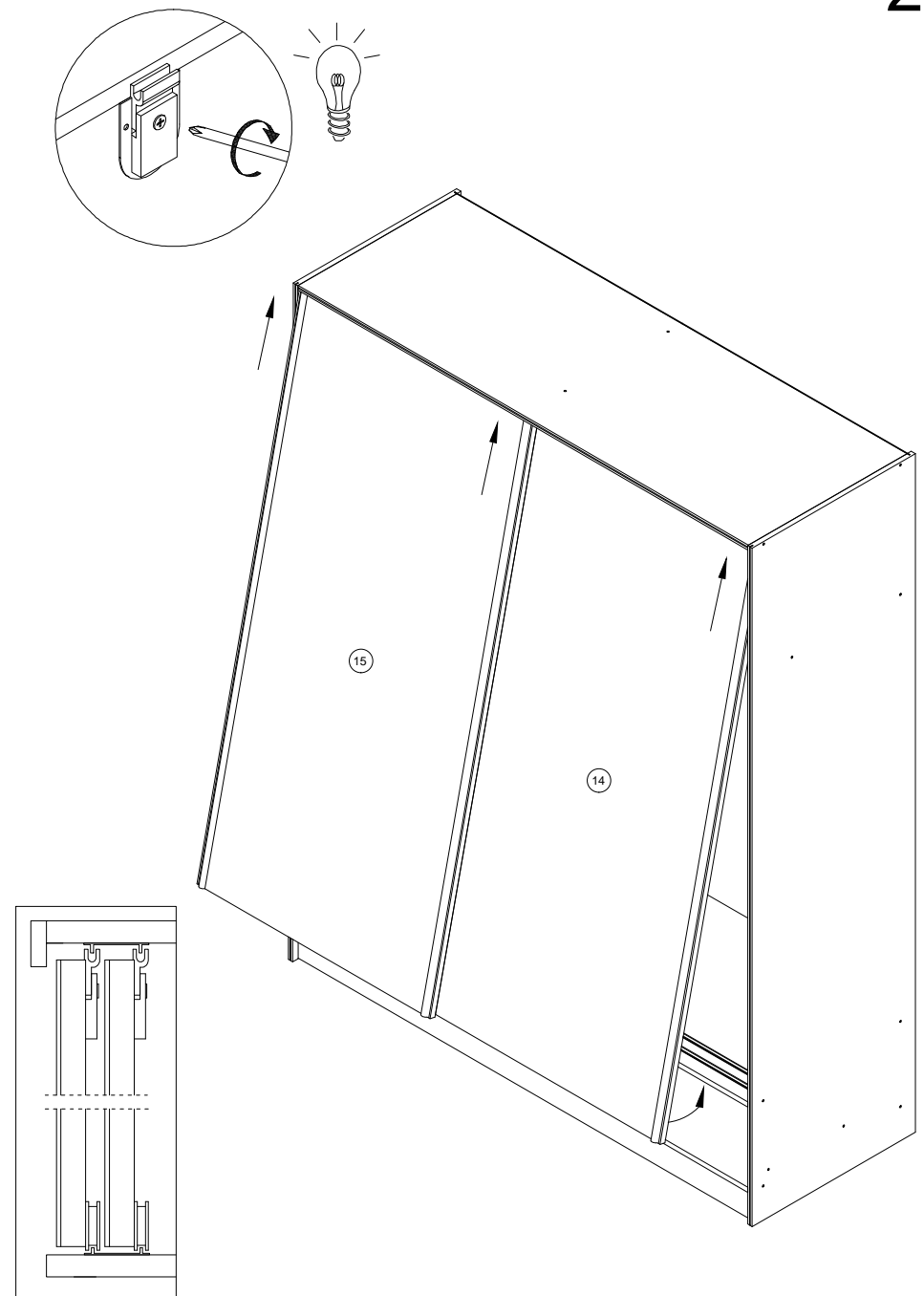
x2



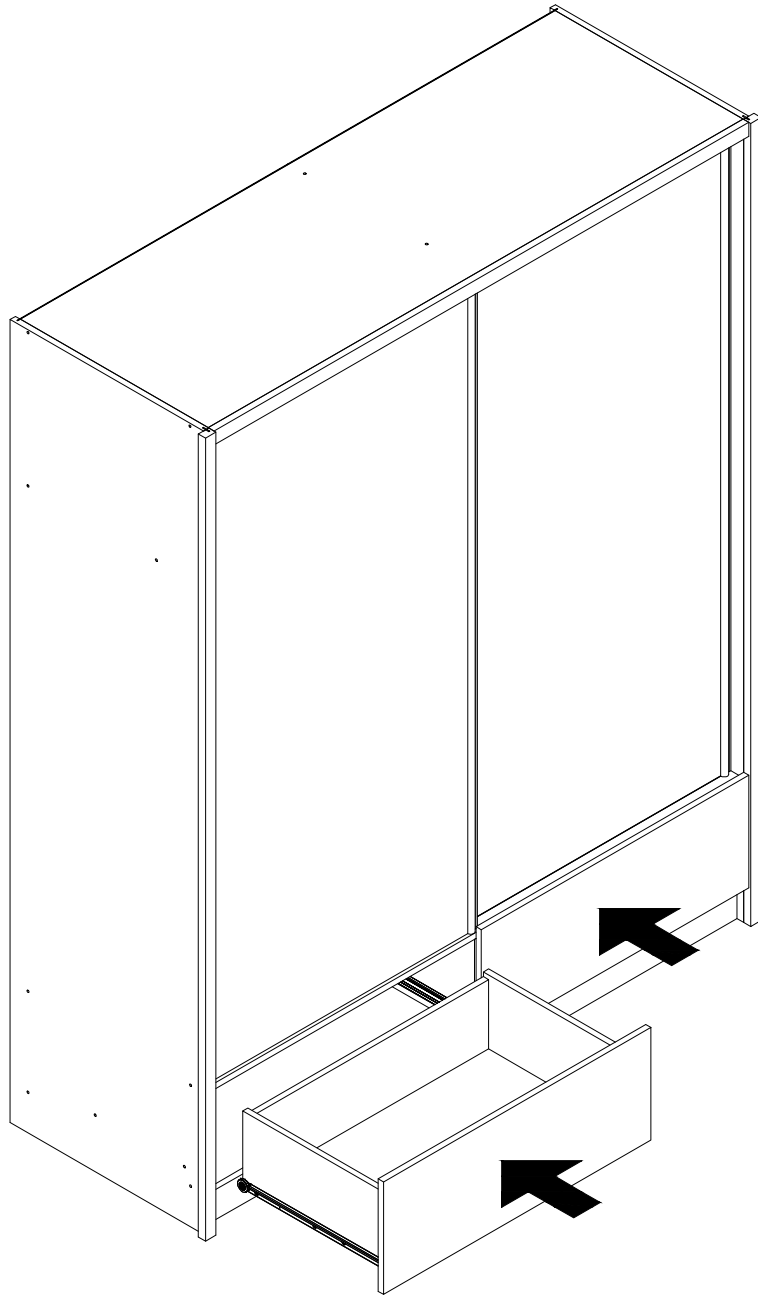
20



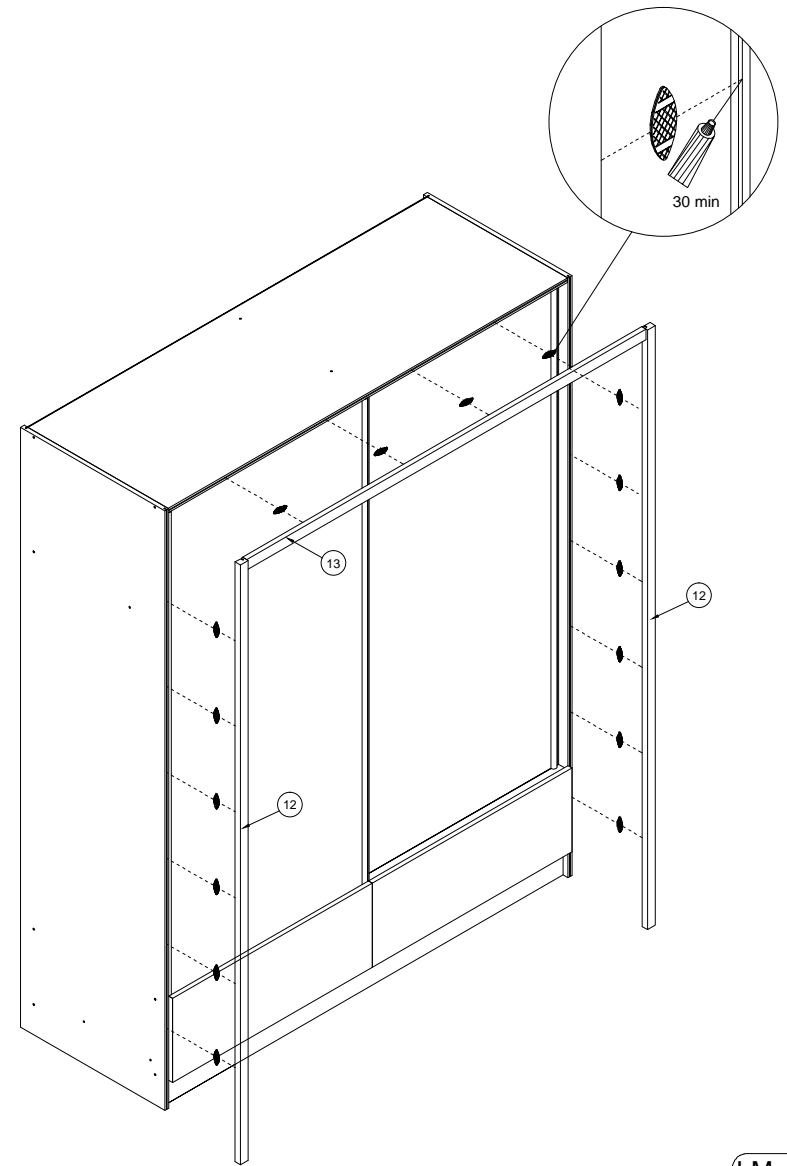
21



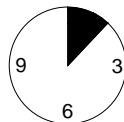
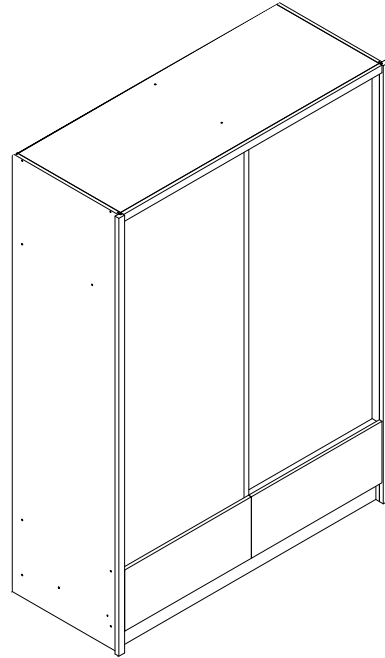
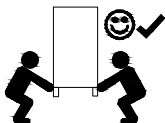
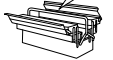
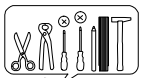
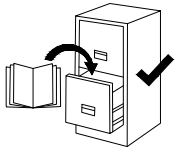
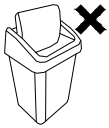
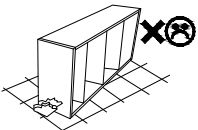
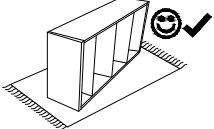
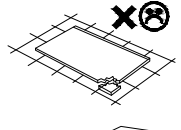
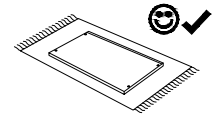
22



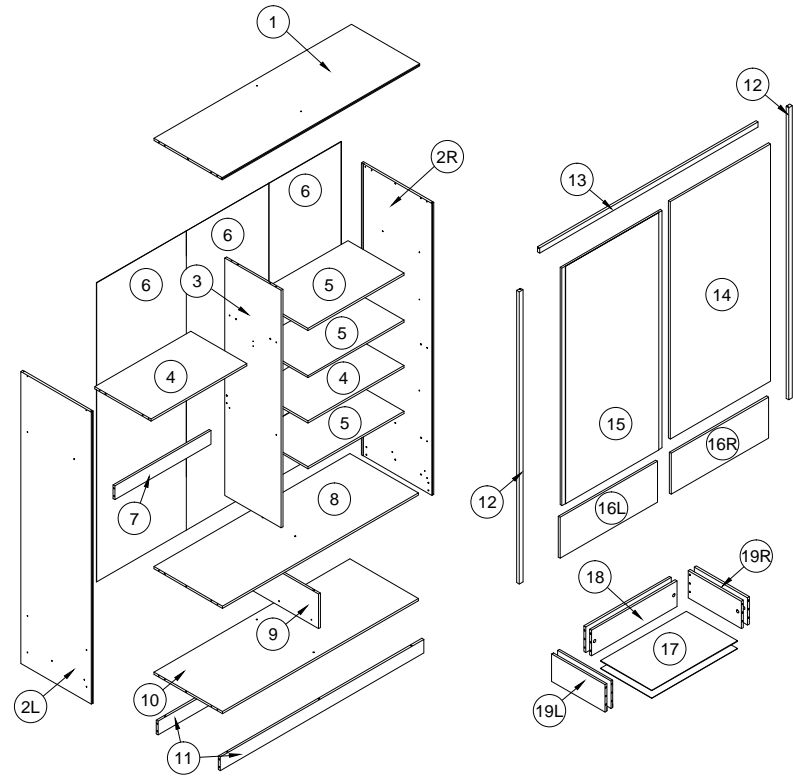
23



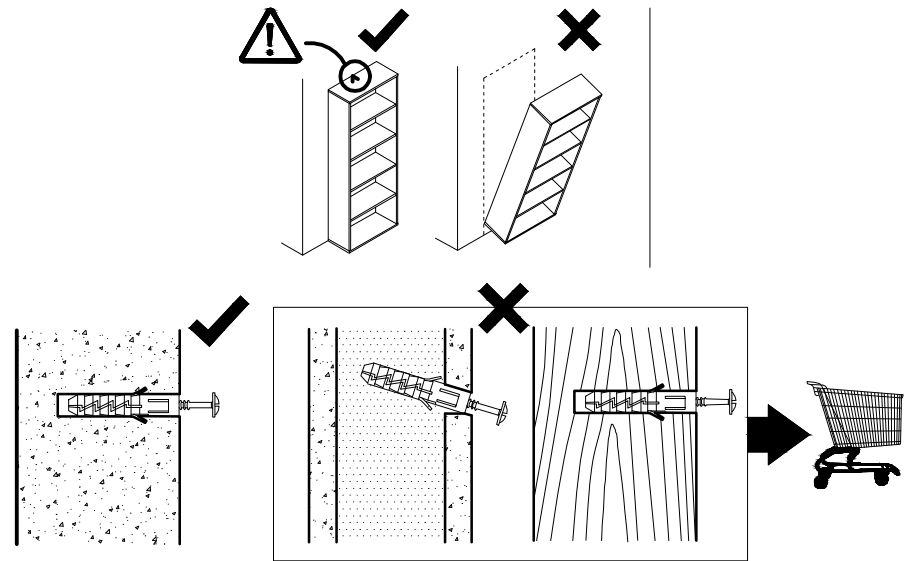
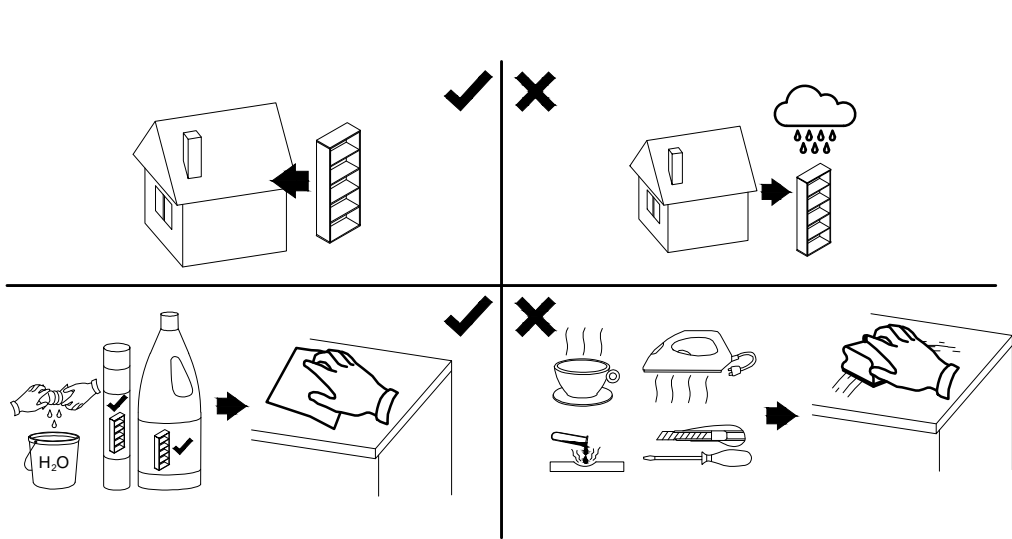
150

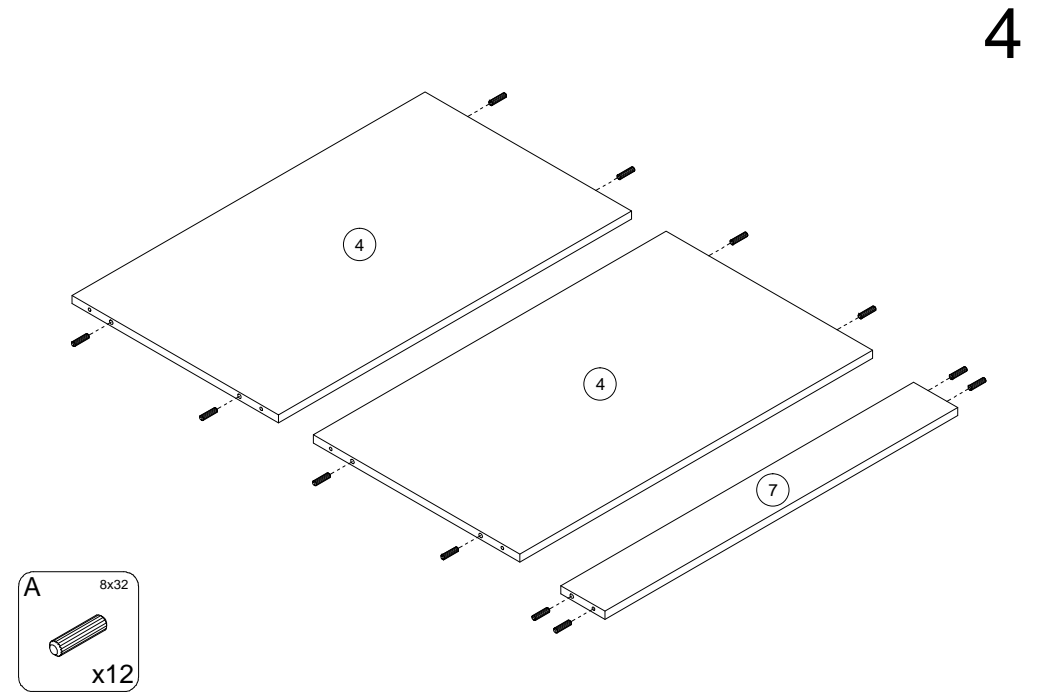
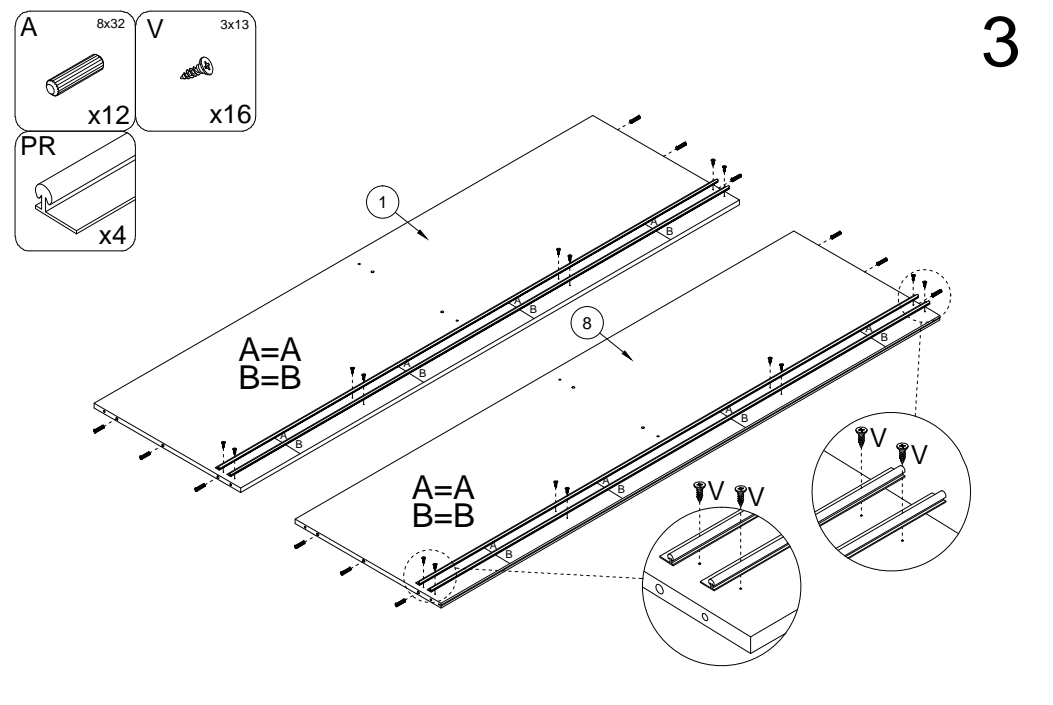
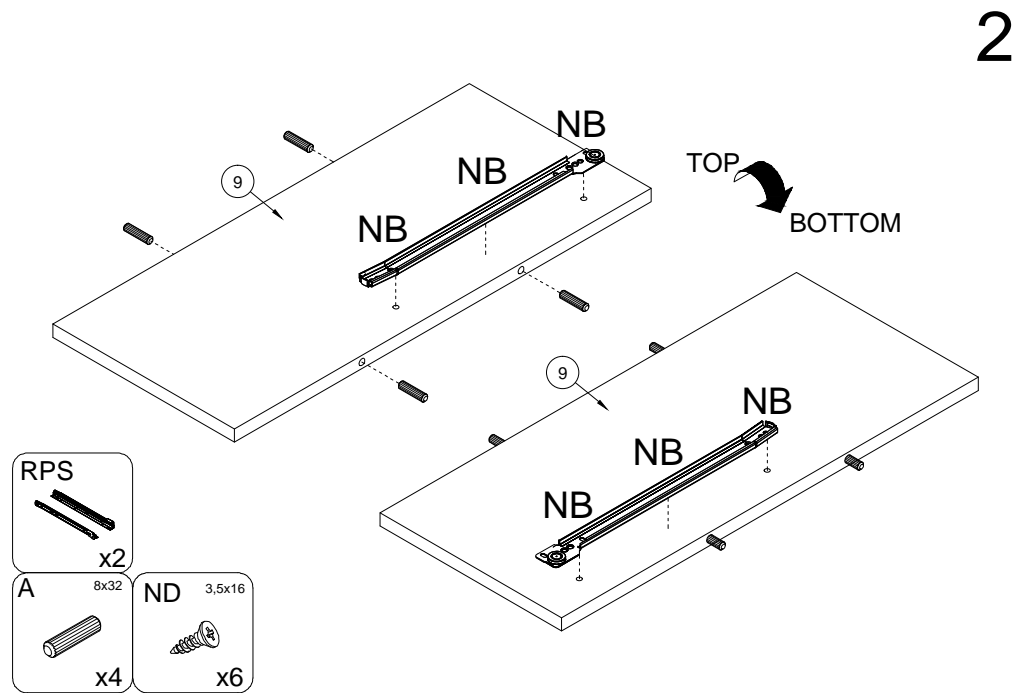
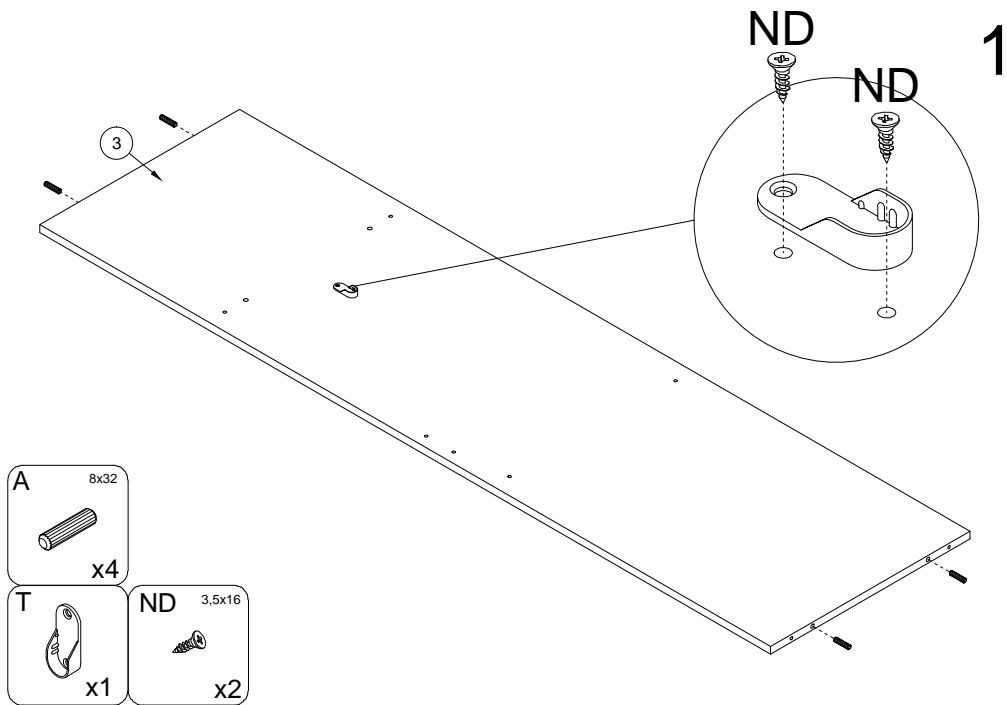


90 min.

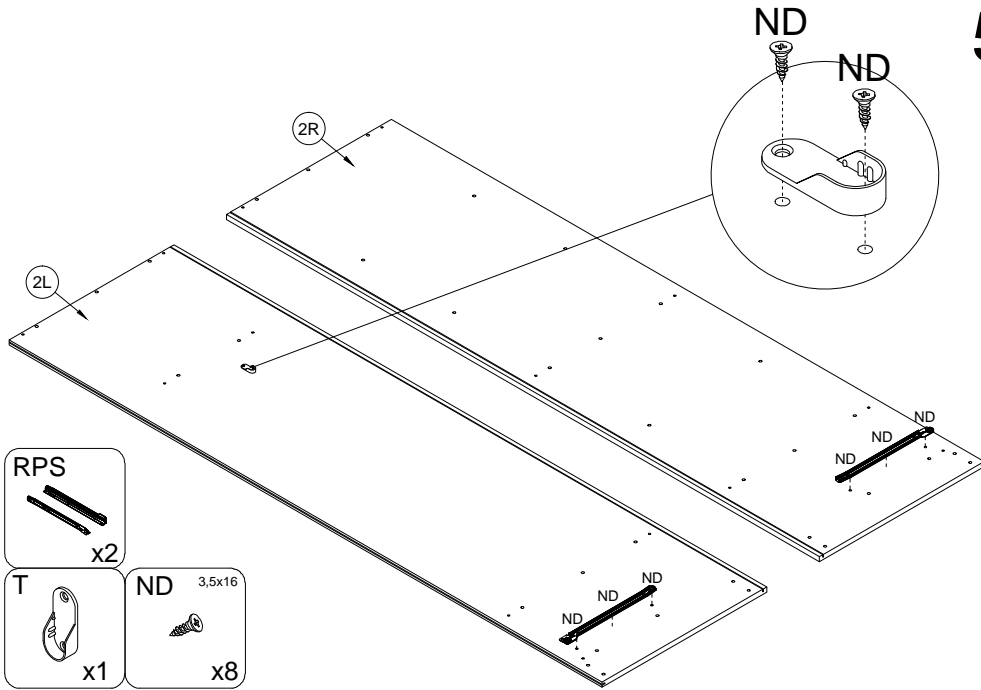


		LM		ZB	
		x17		x12	
S	L-2008mm	N	3x20	W6	L-618mm
x2		x67		x1	
SP		B		C	
x8		x8		x8	
A	8x32	RPS		X	
x70		x2		x10	
GLUE		SEV		DB	L-1715mm
x2		x3		x2	
T		ND	3,5x16	V	3x13
x2		x49		x16	
PR		YD	7x50	WB	
x4		x24		x1	
ZG		D			
x20		x4			

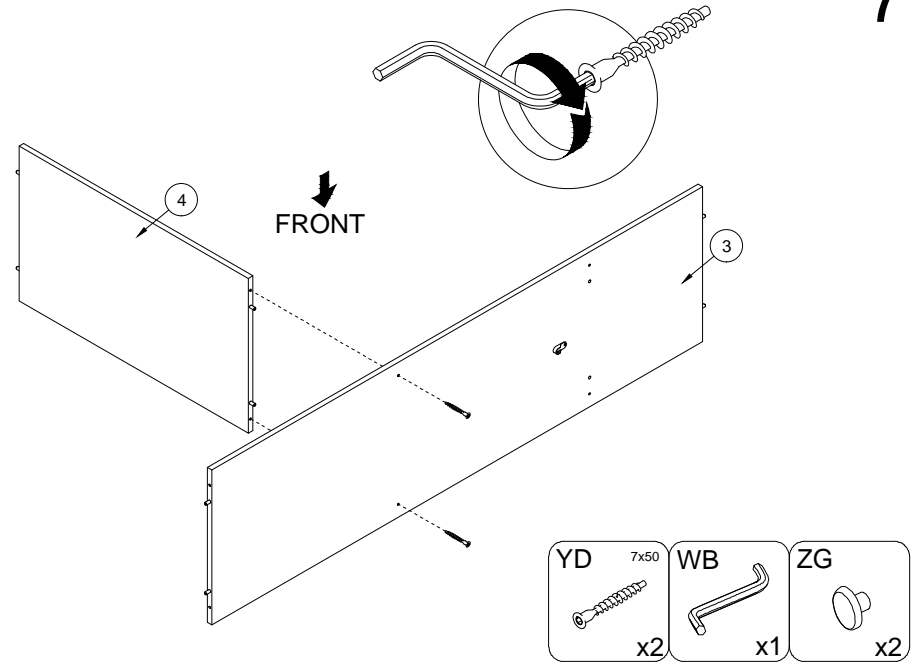




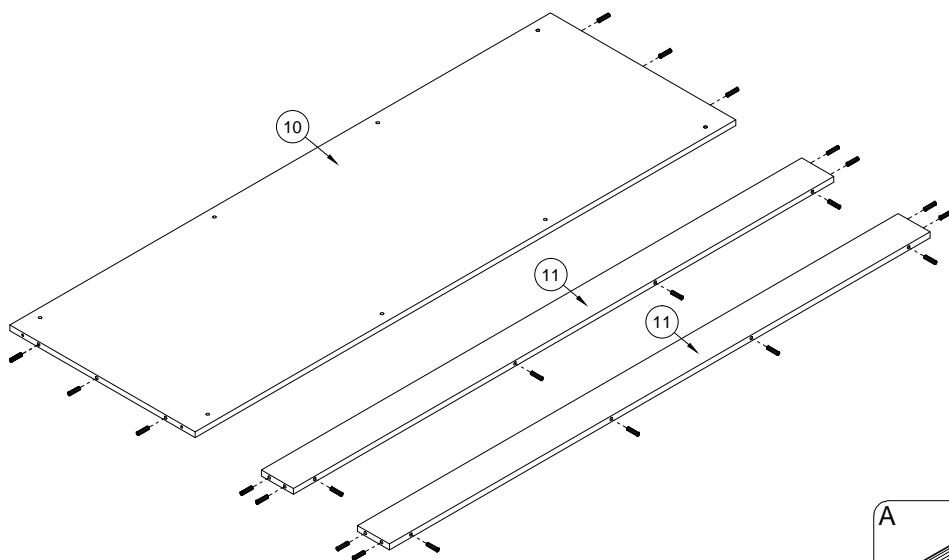
5



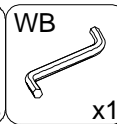
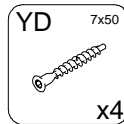
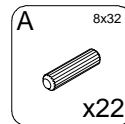
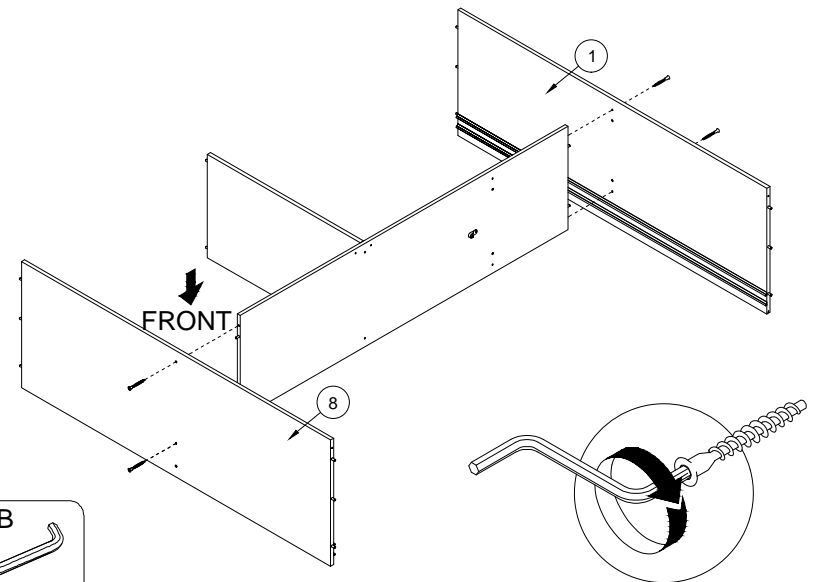
7

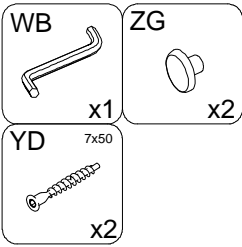


6

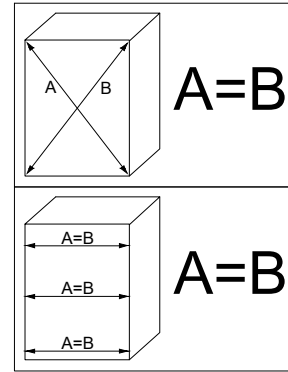
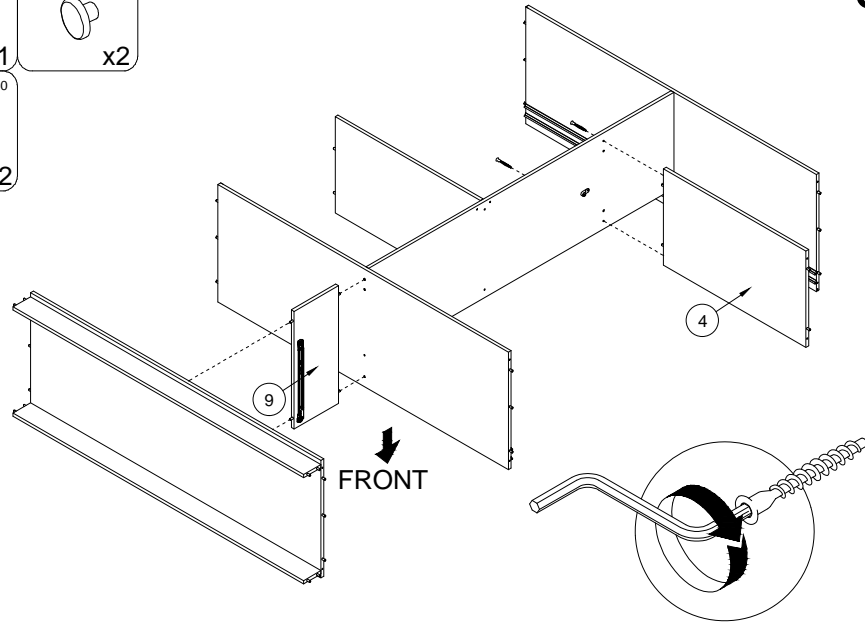


8

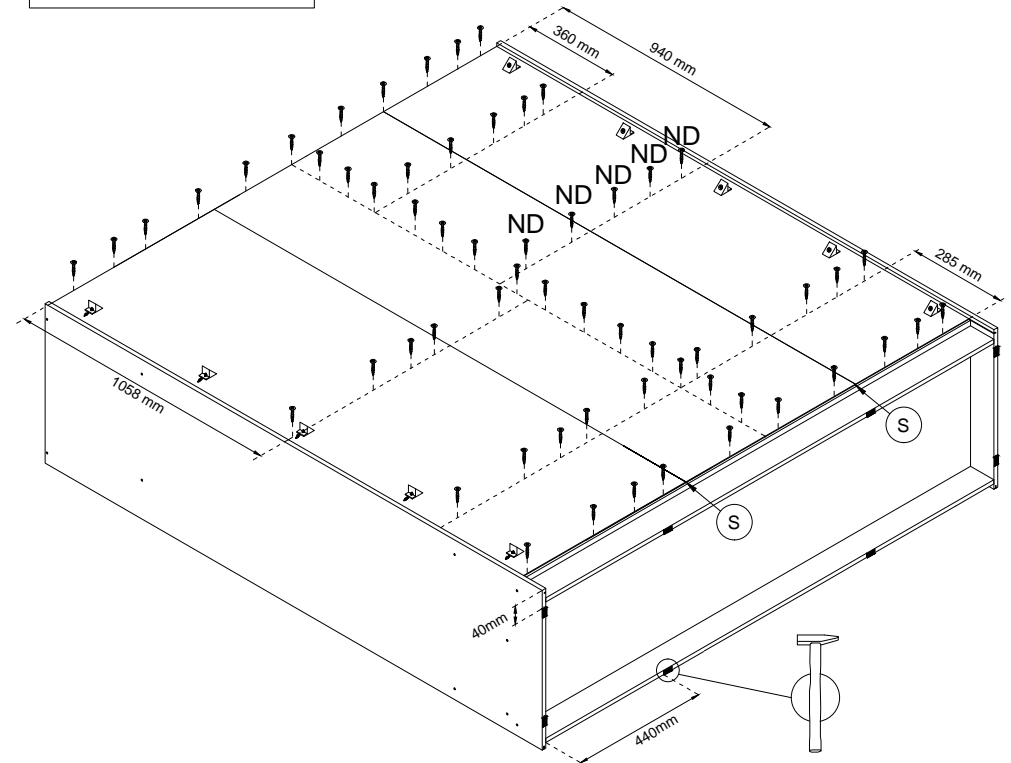




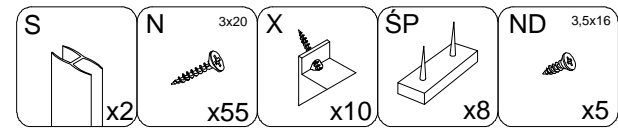
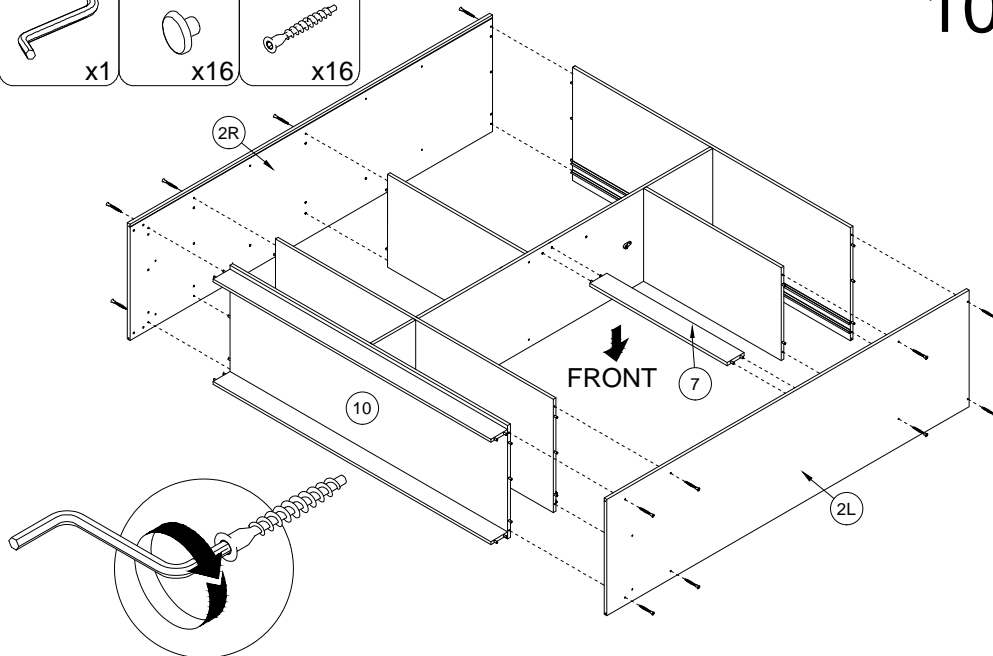
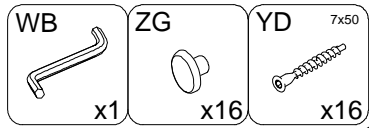
9



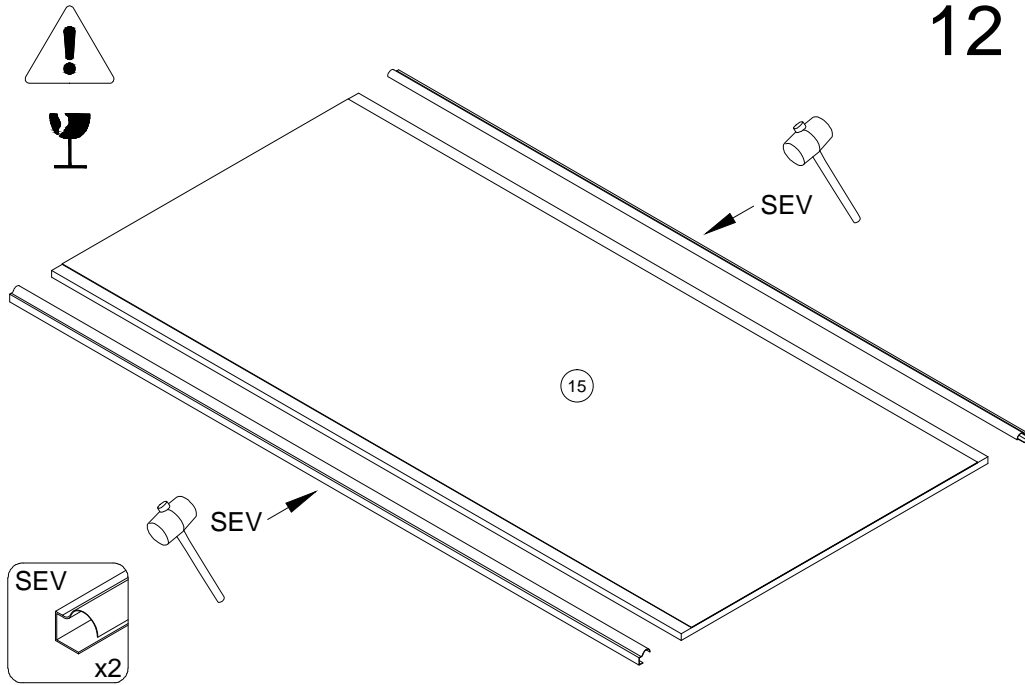
11



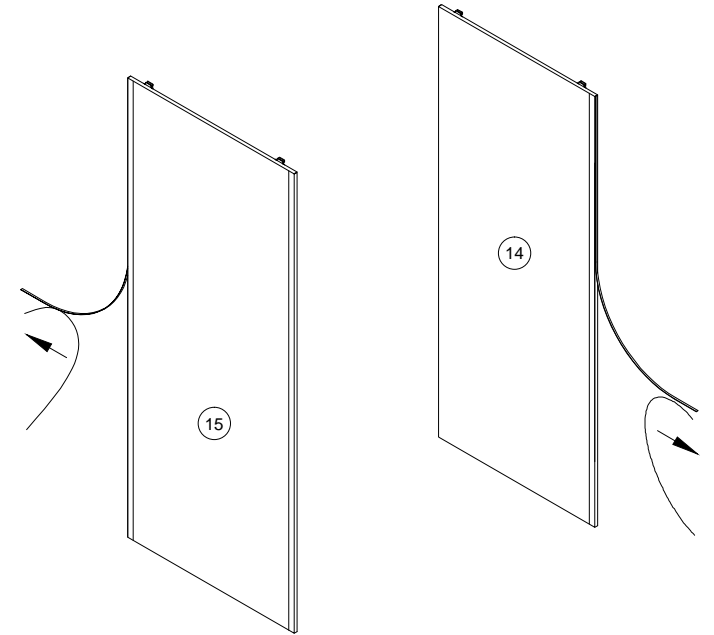
10



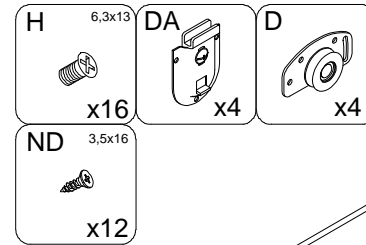
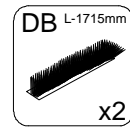
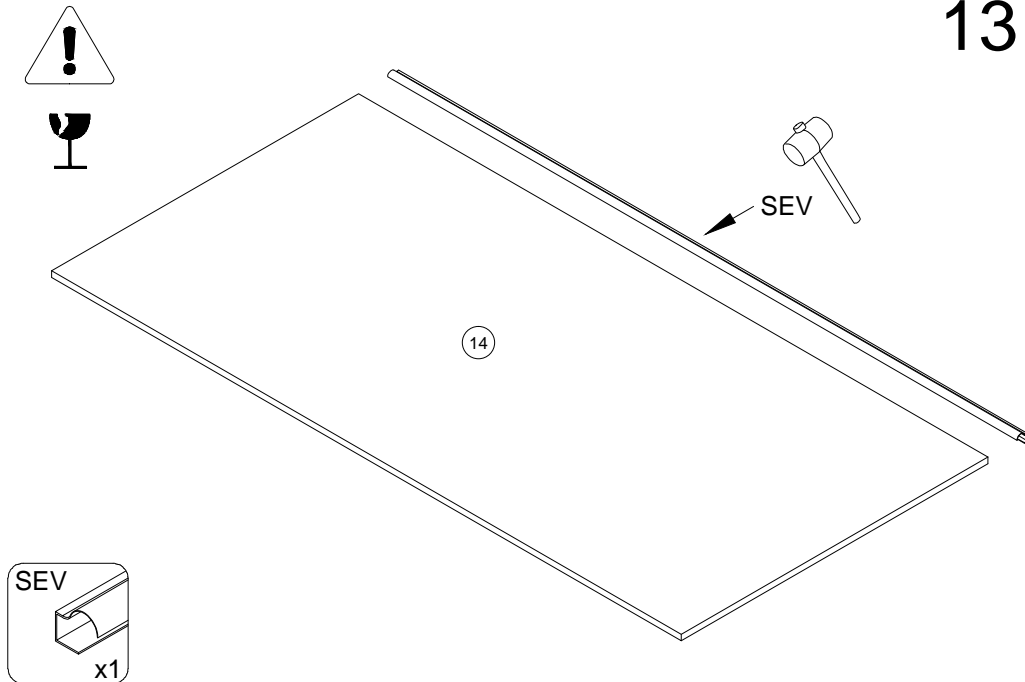
12



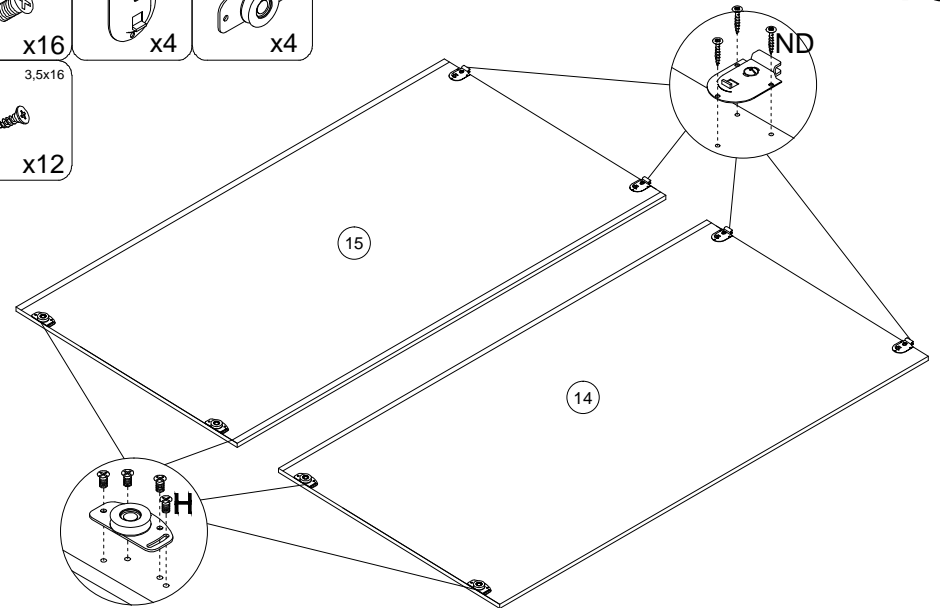
14



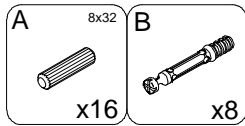
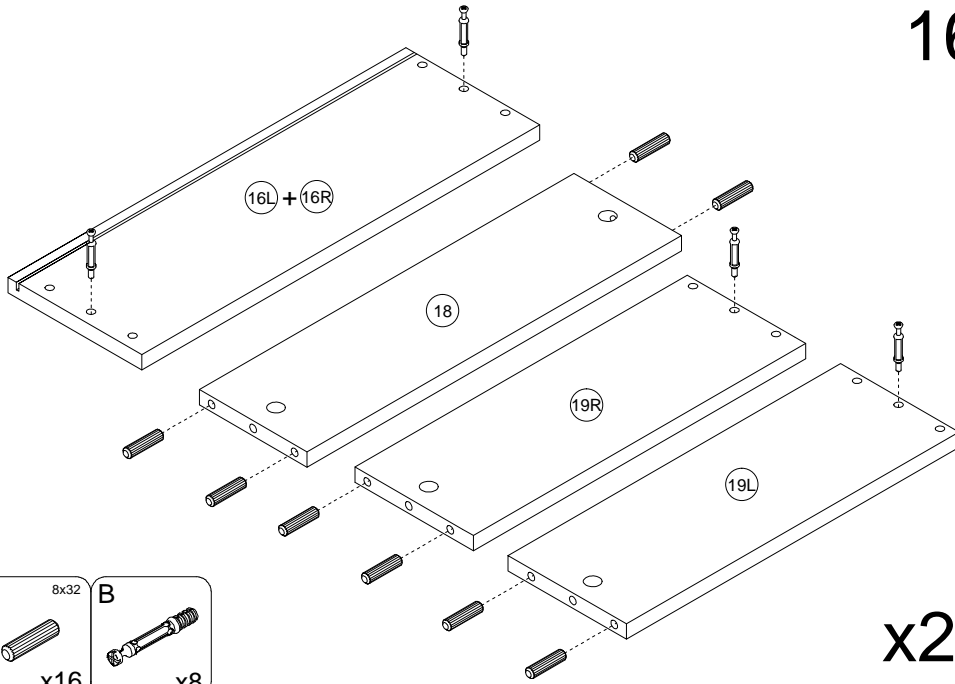
13



15

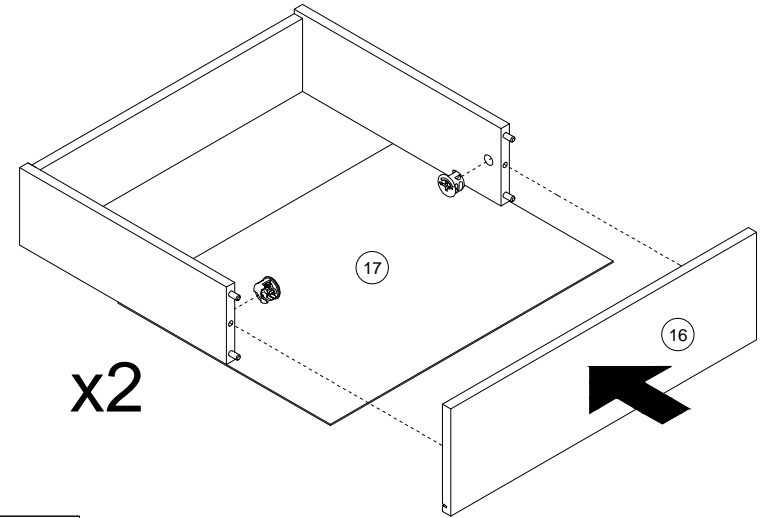


16

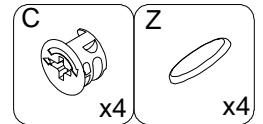
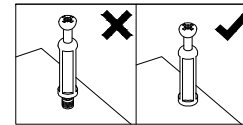


x2

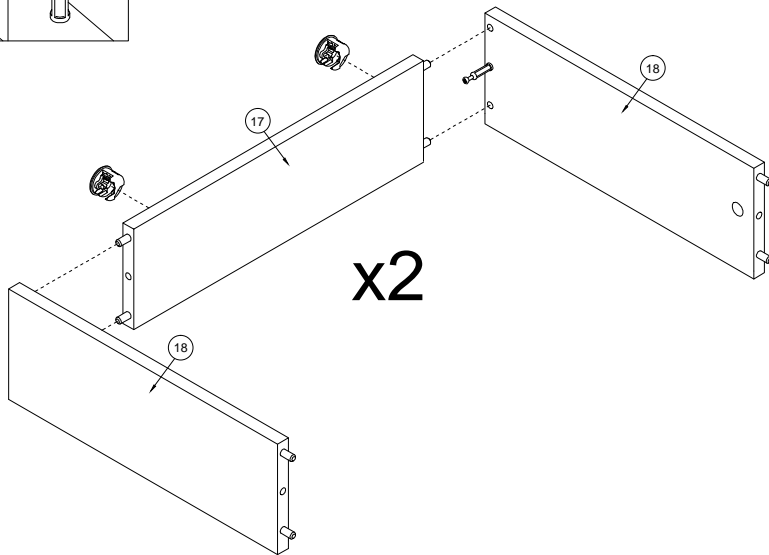
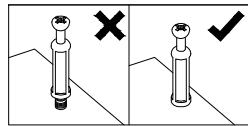
18



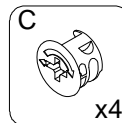
x2



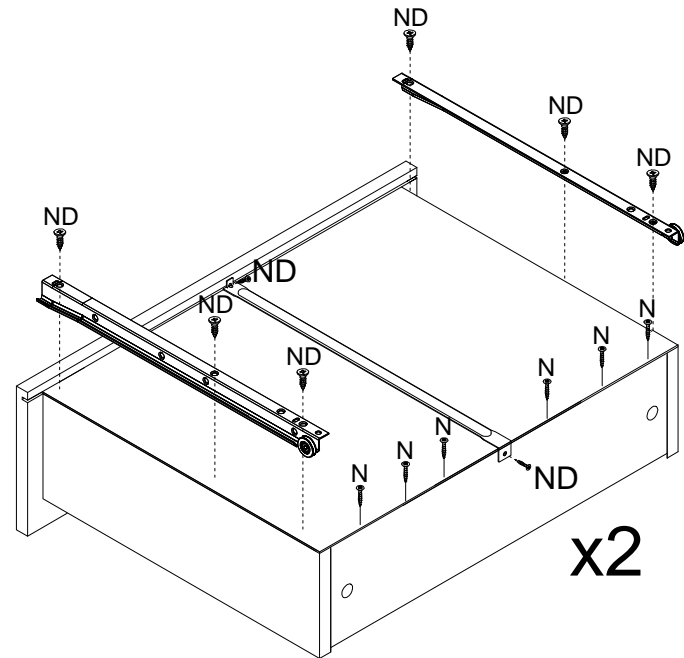
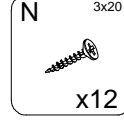
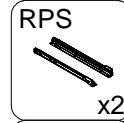
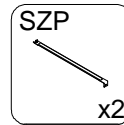
17



x2

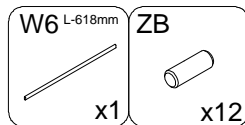
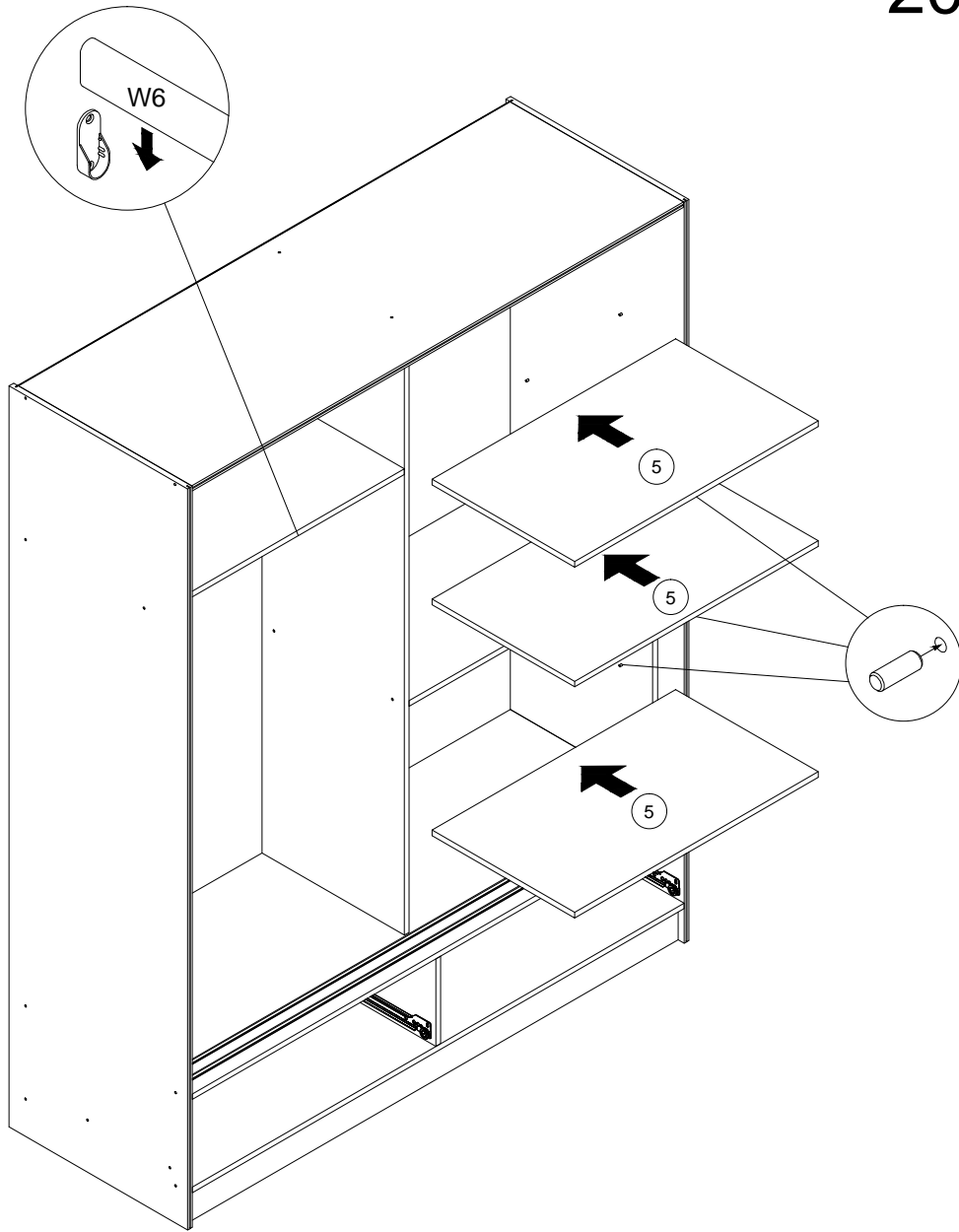


19

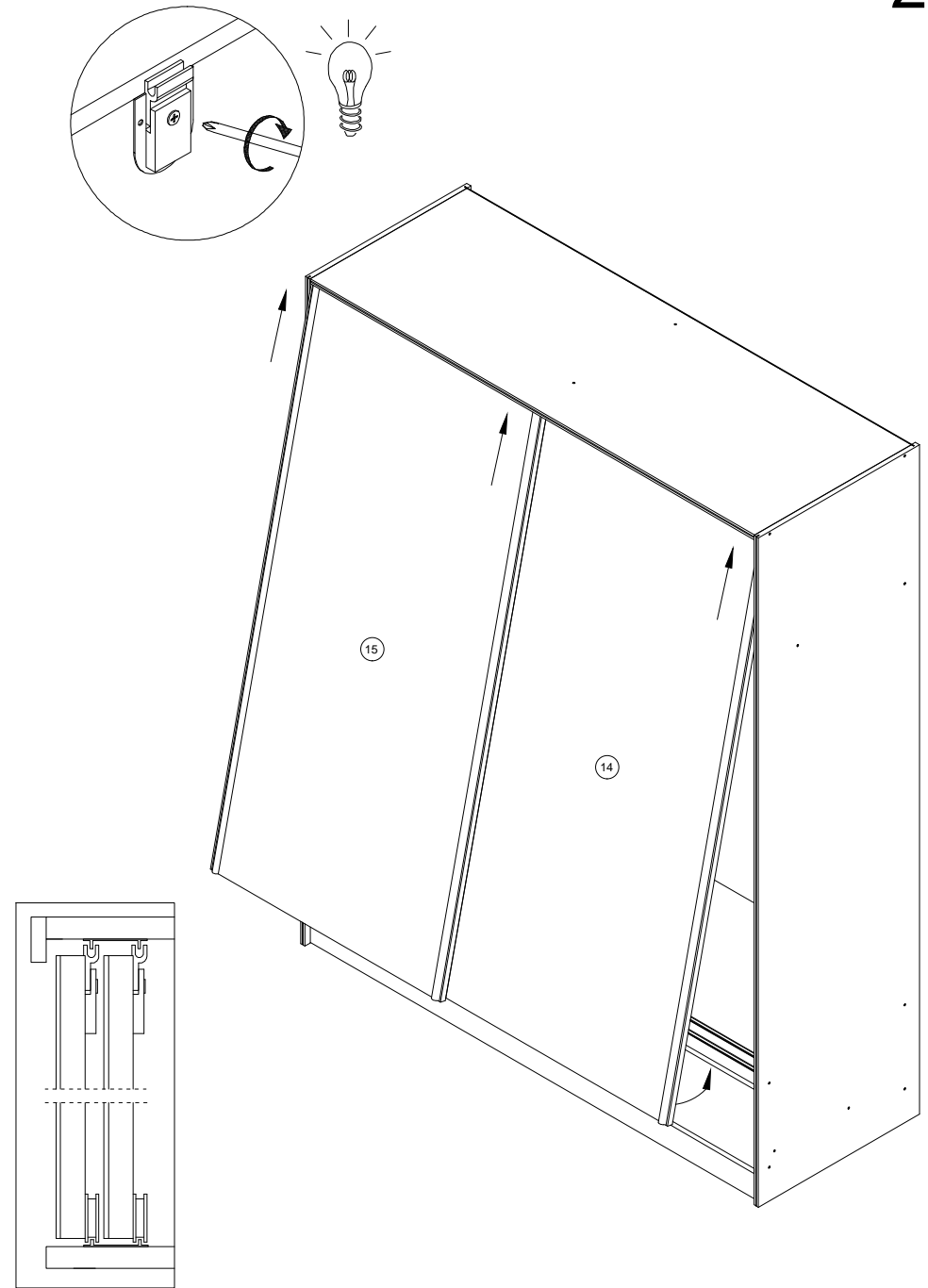


x2

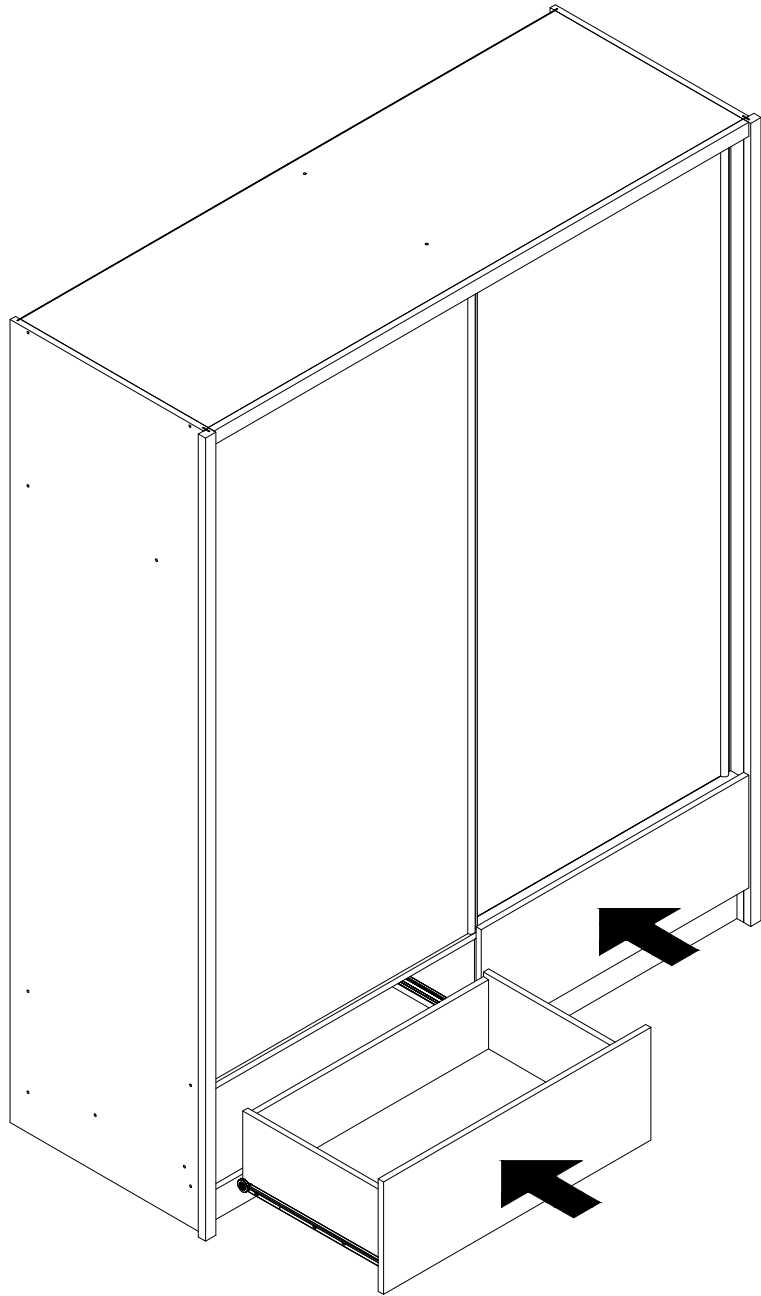
20



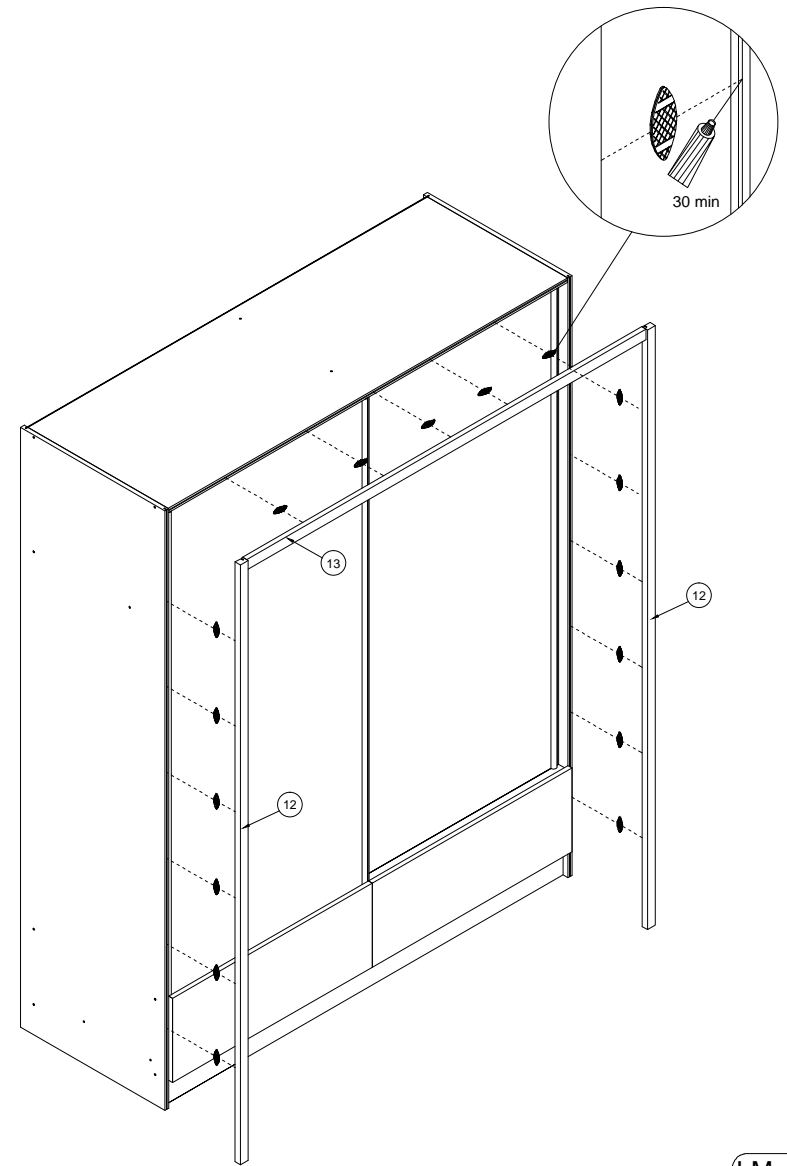
21



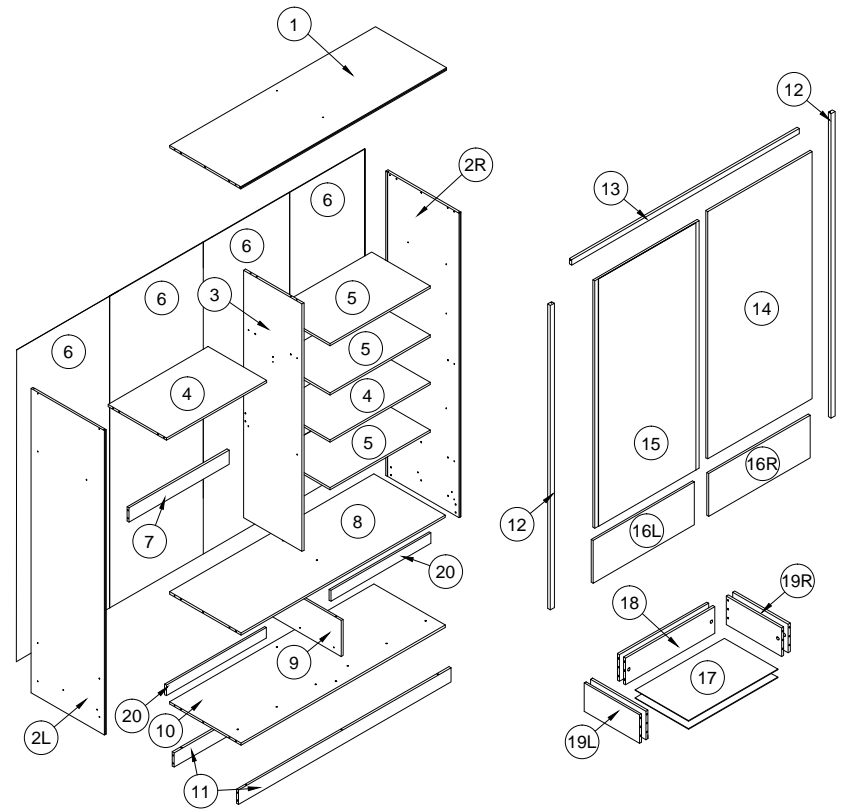
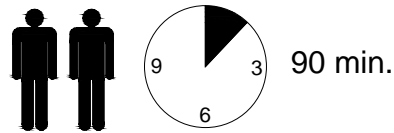
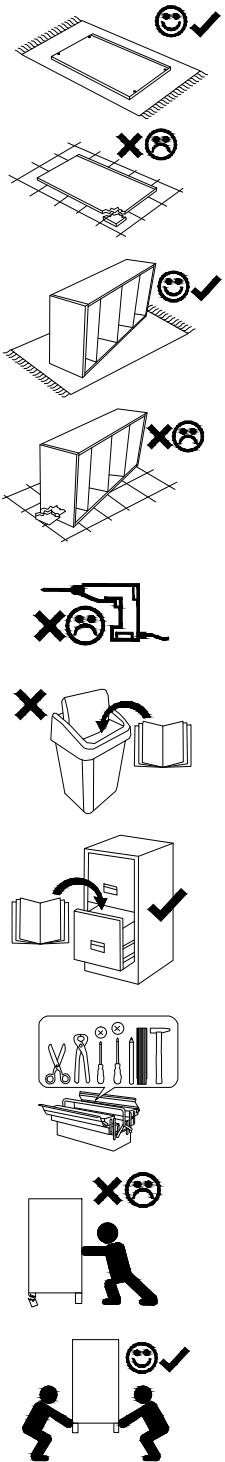
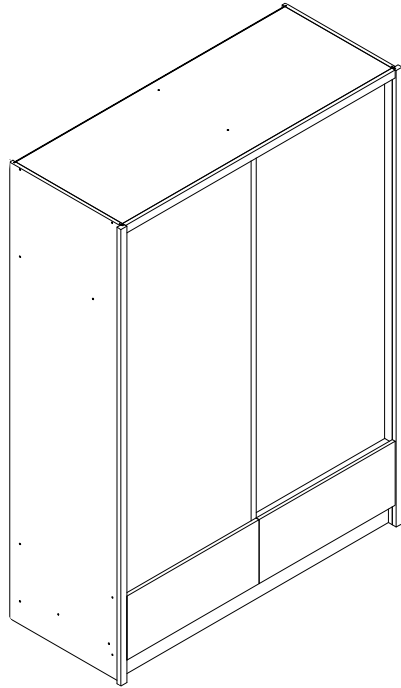
22



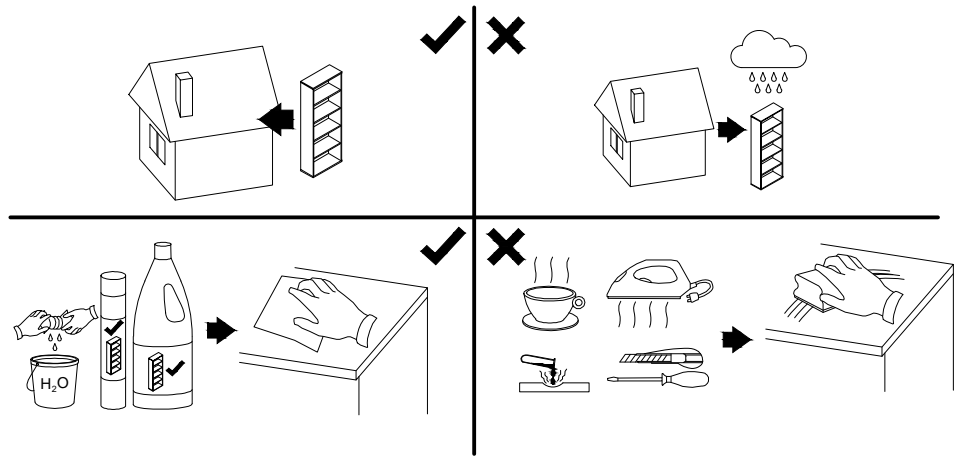
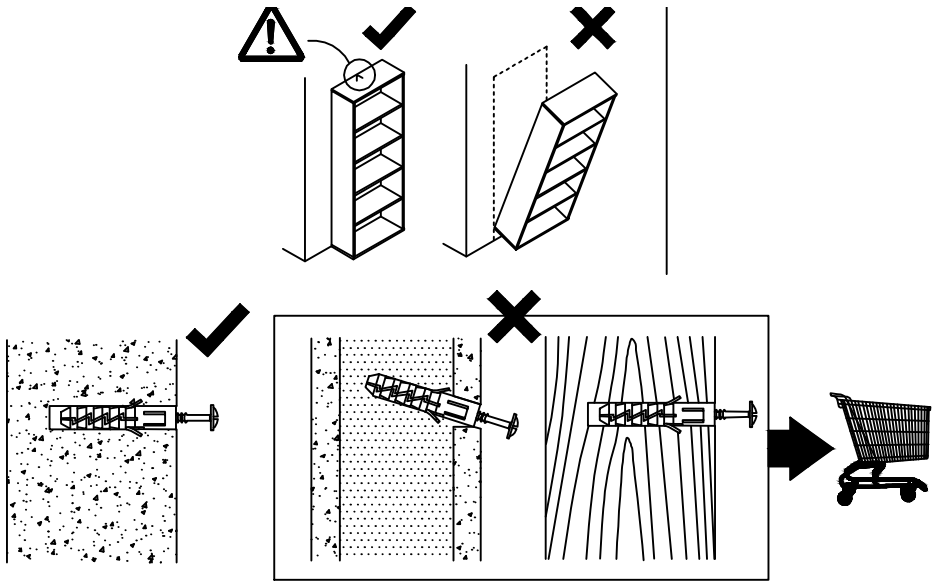
23

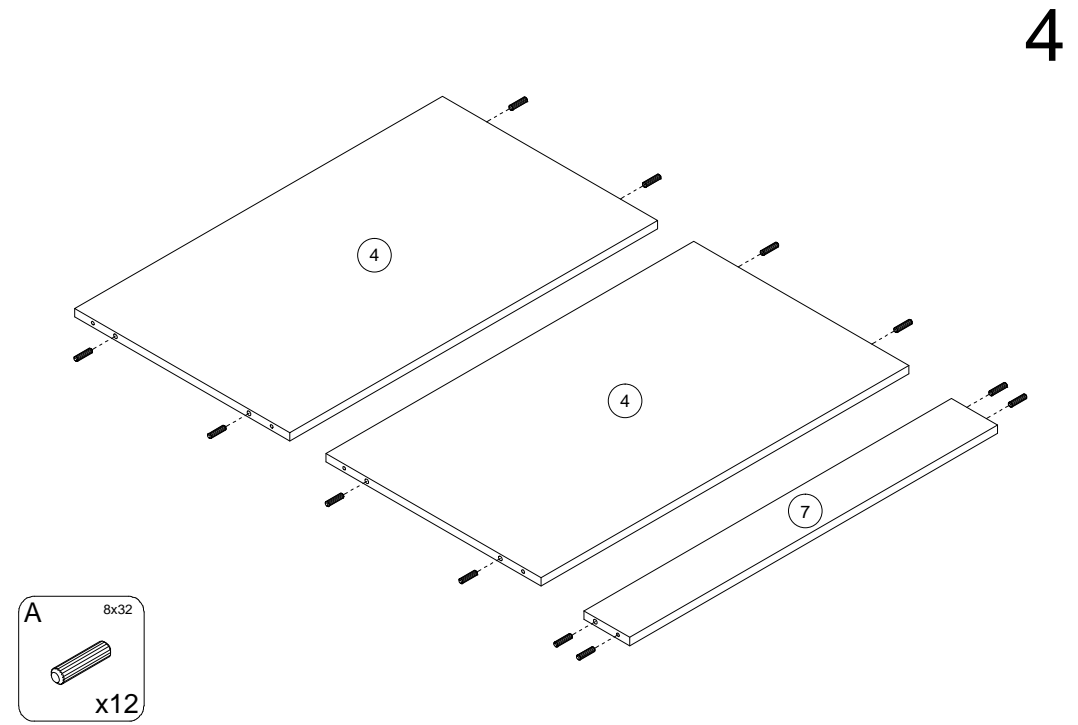
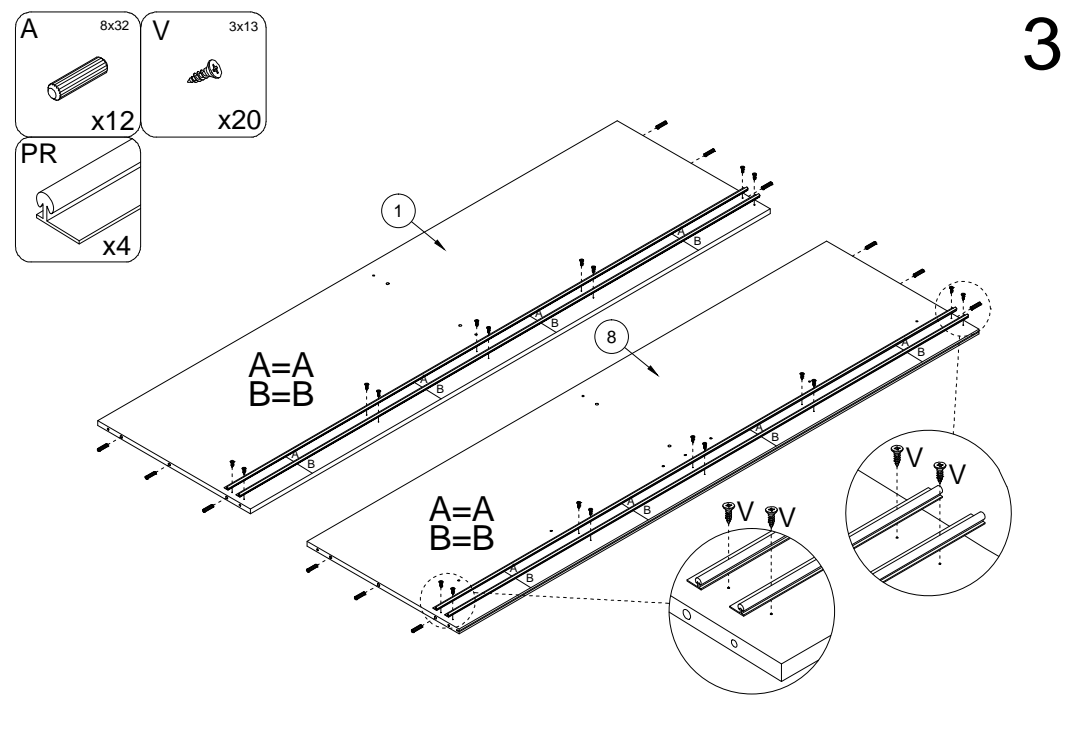
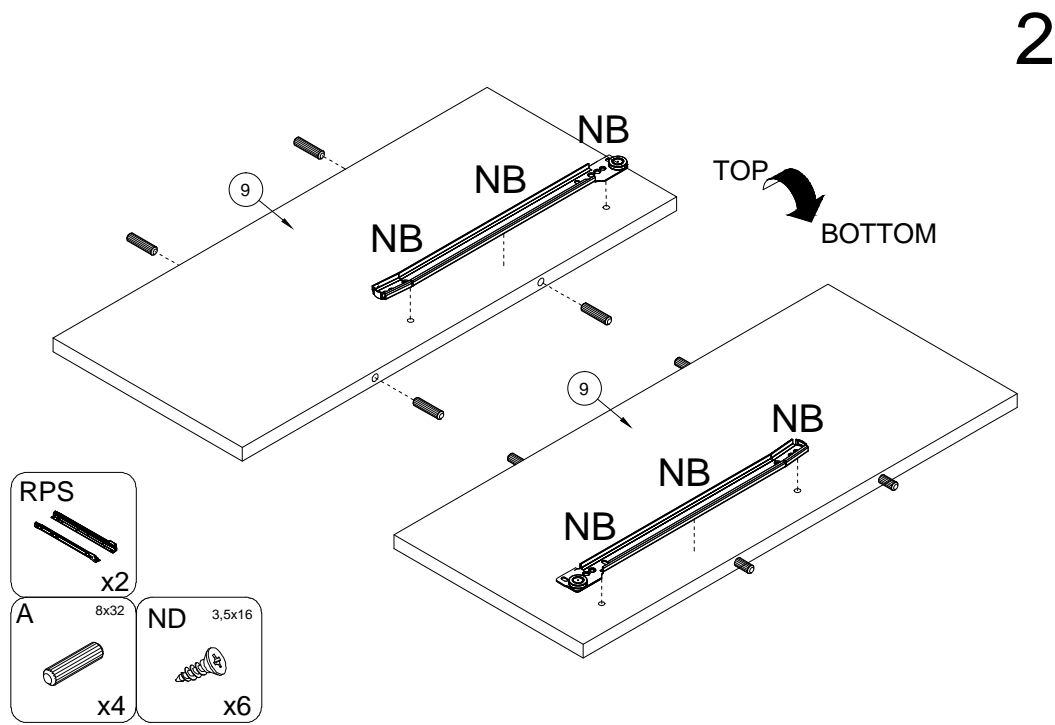
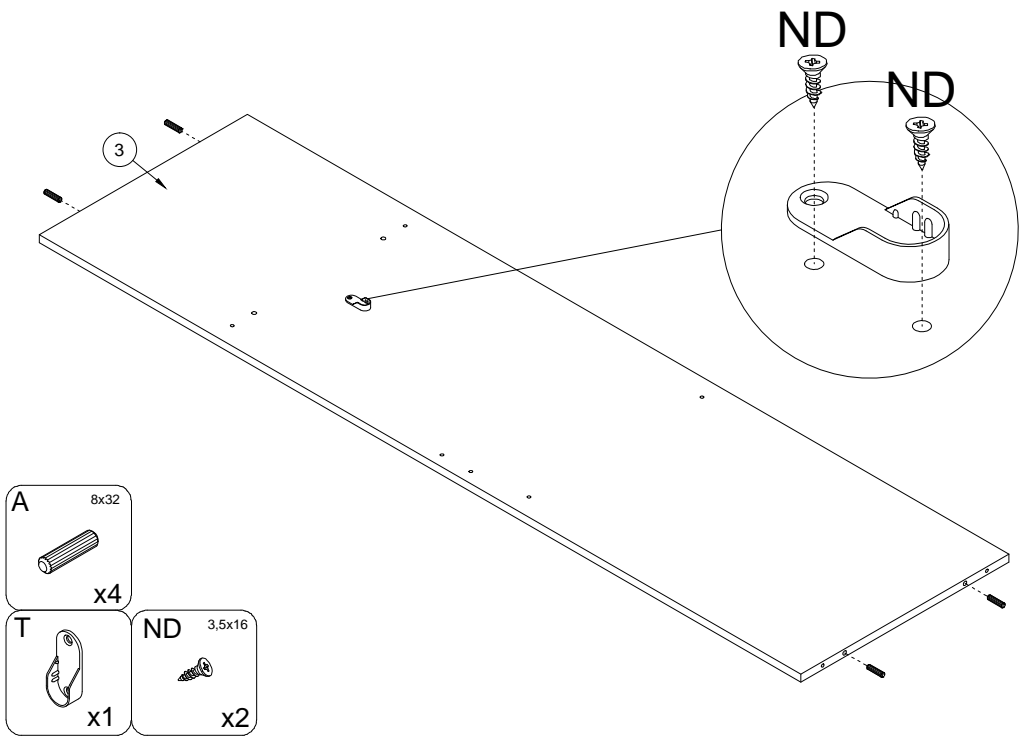


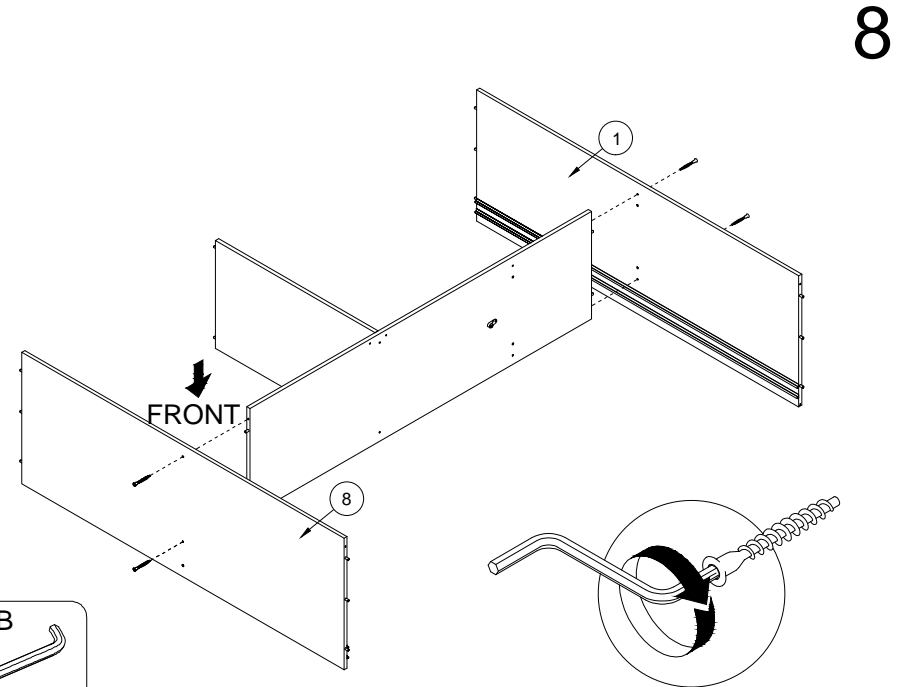
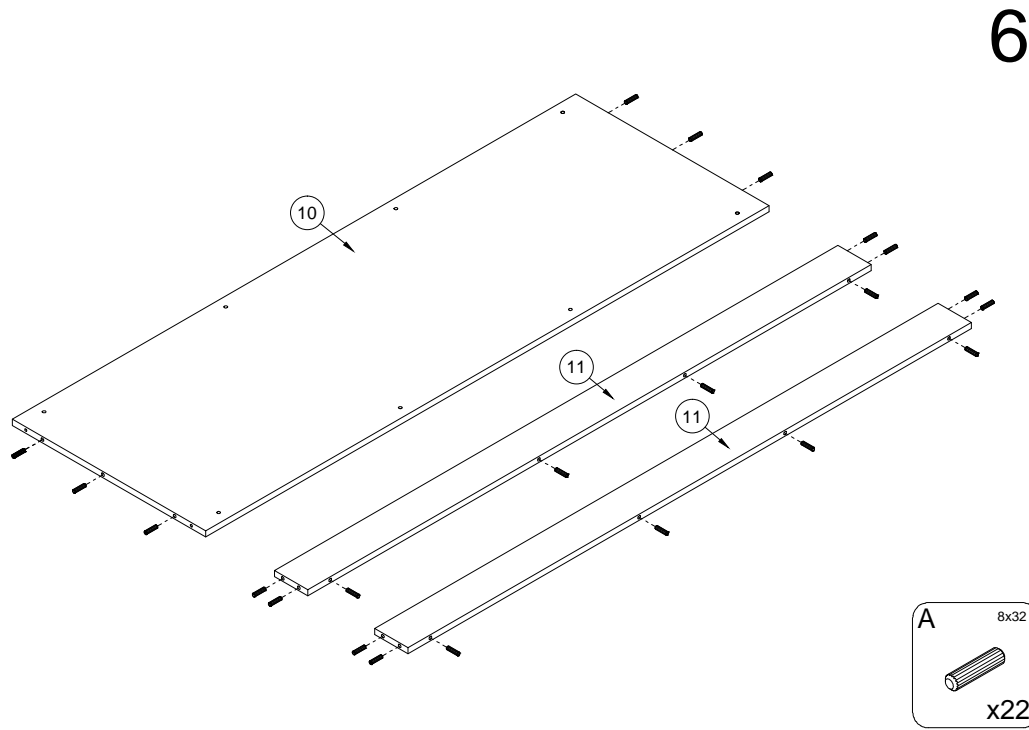
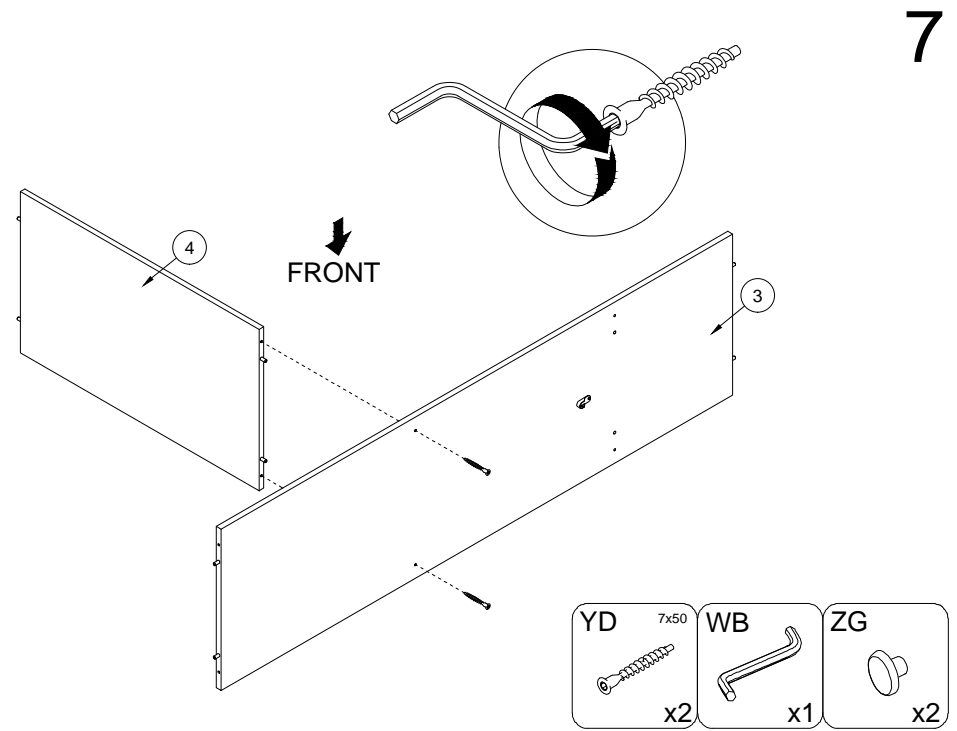
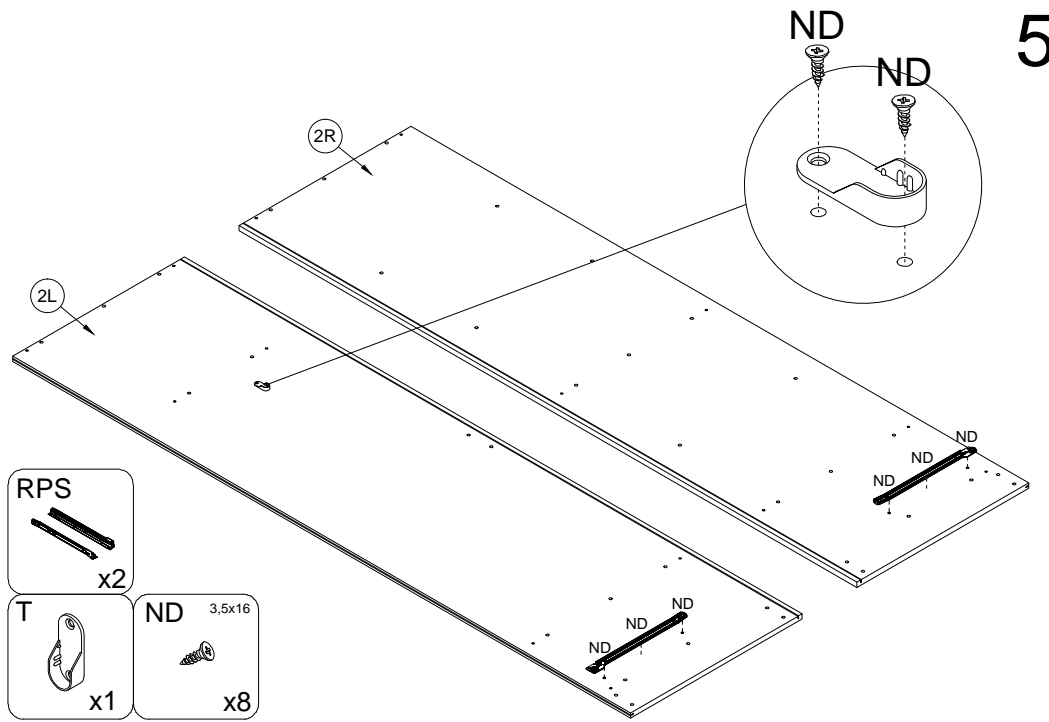
180

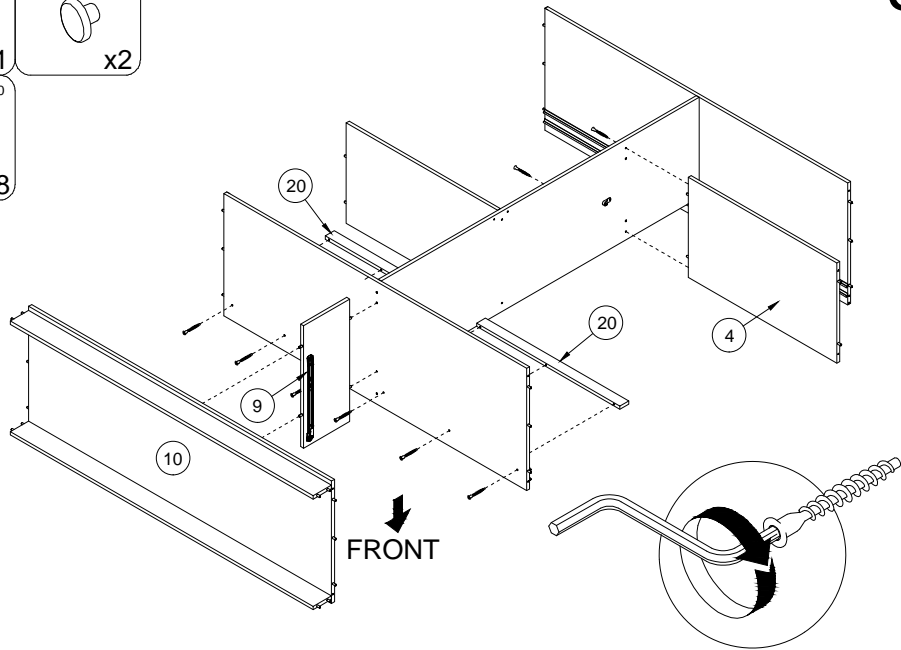
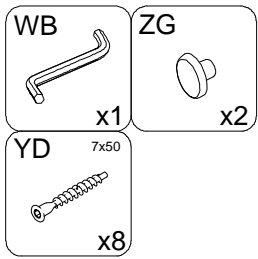


S	L-2008mm	N	3x20	W6	L-868mm	SP		B		ZC	LM	ZB	
x2		x79		x1		x10		x8		x15	x17	x12	
A	8x32	RPS	450	X		GLUE		SEV		C	Z	SZP	
x70		x2		x10		x2		1716	x3	x8	x4	450	x2
T		ND	3,5x16	V	3x13	PR		YD	7x50	WB	ZG	D	
x2		x49		x20		x4		x30		x1	x20	x4	

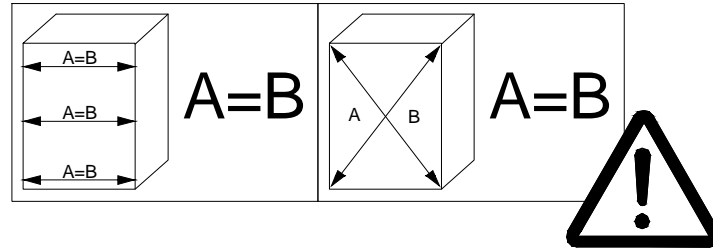




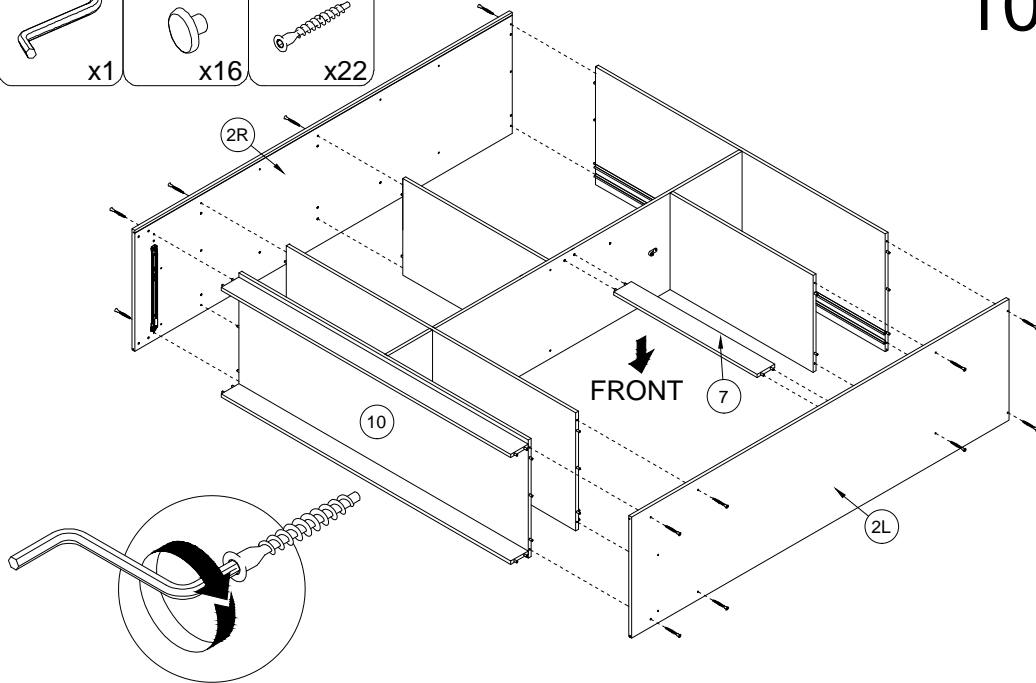
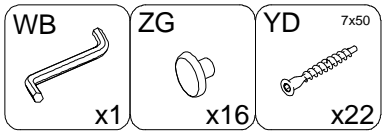




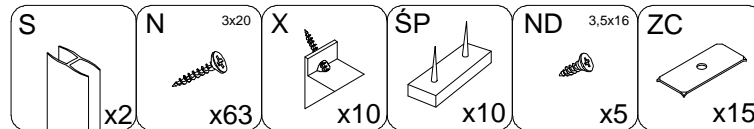
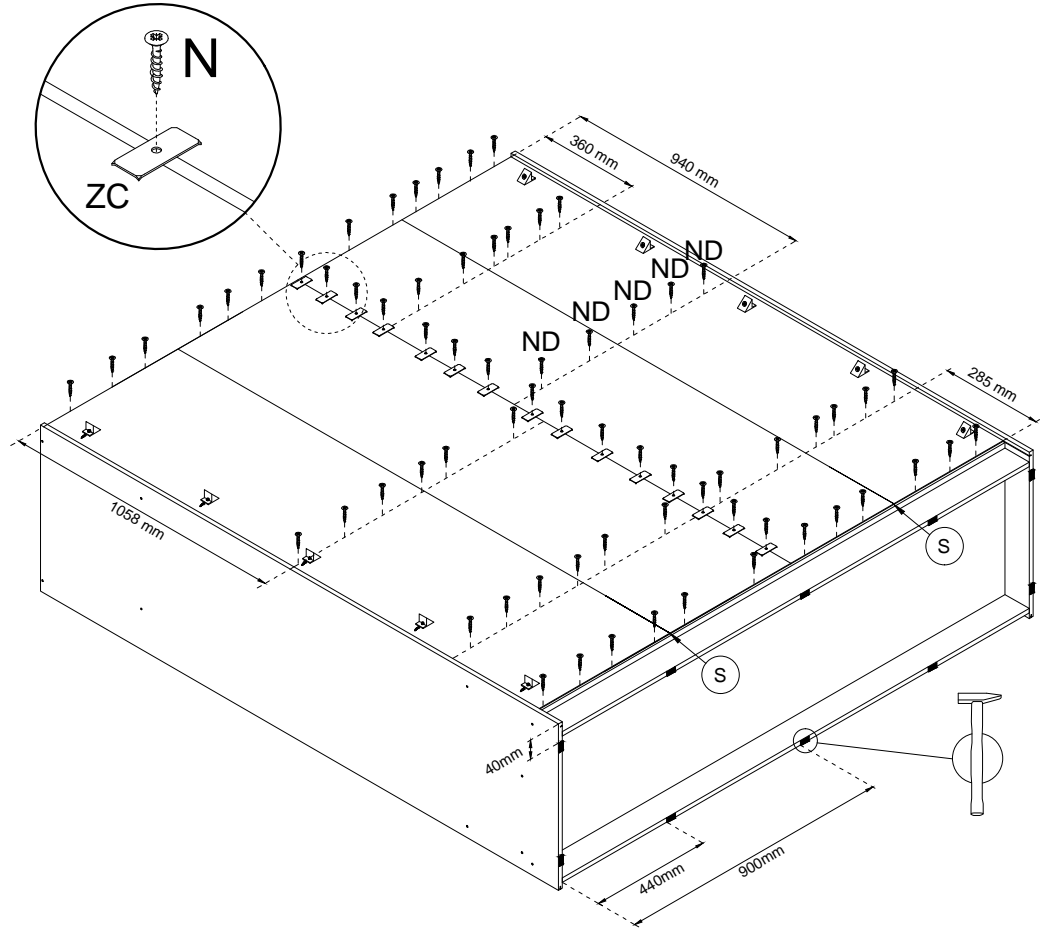
9



11

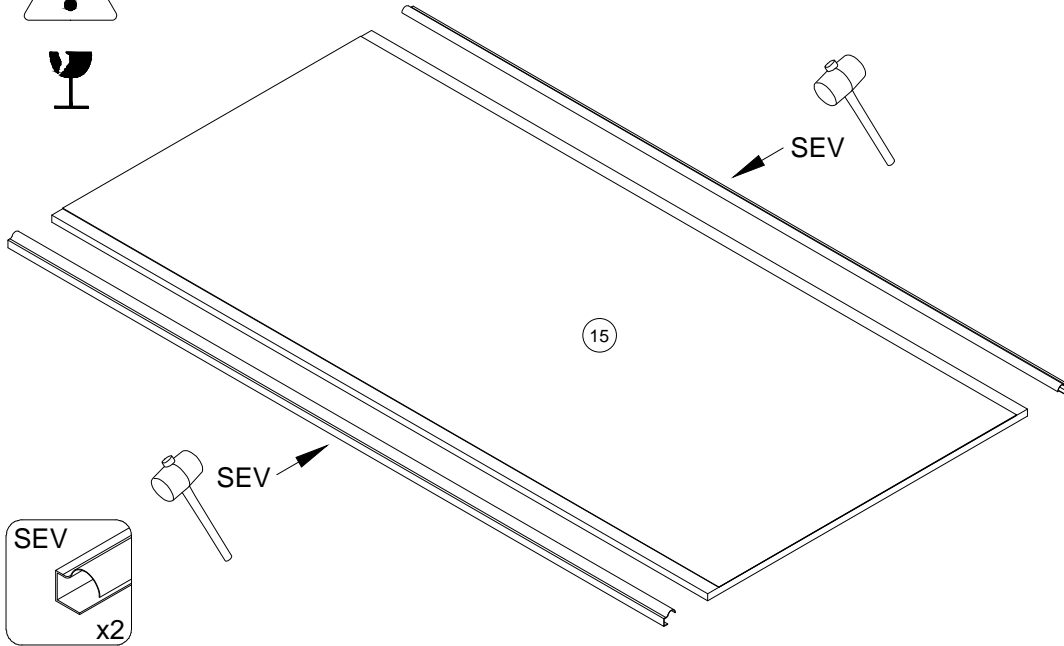


10

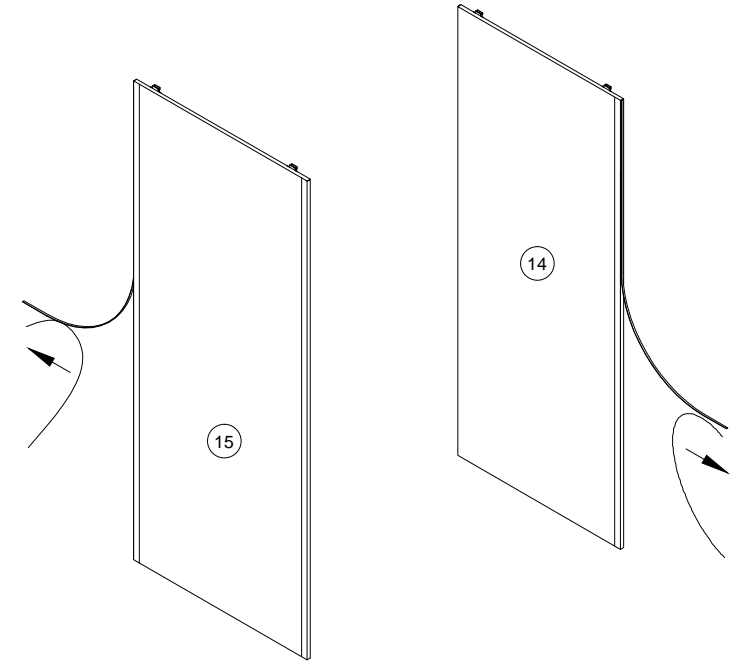




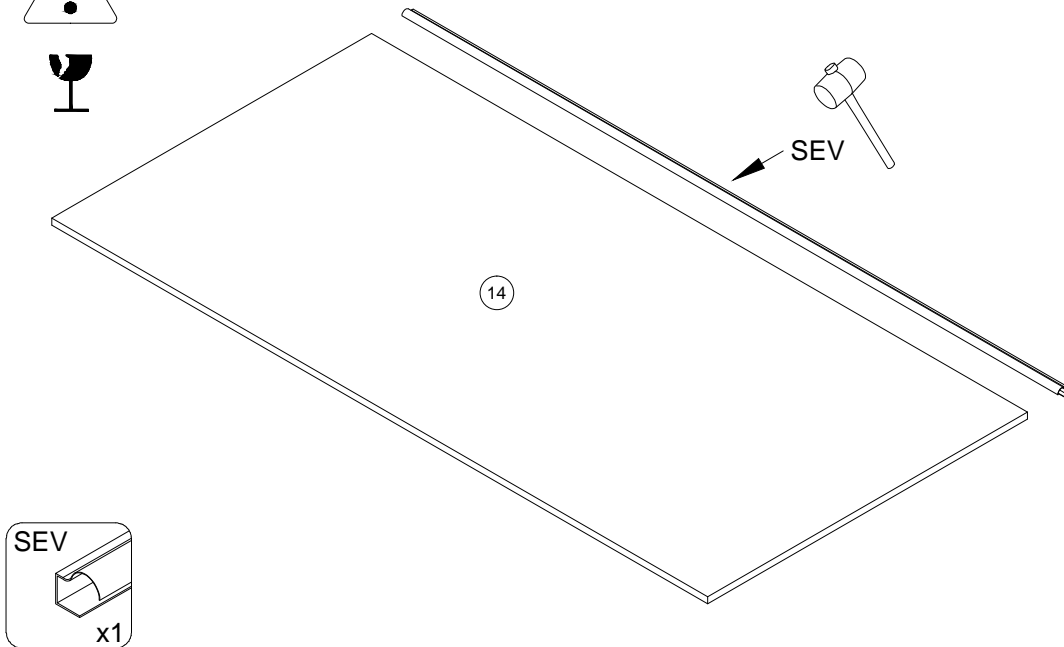
12



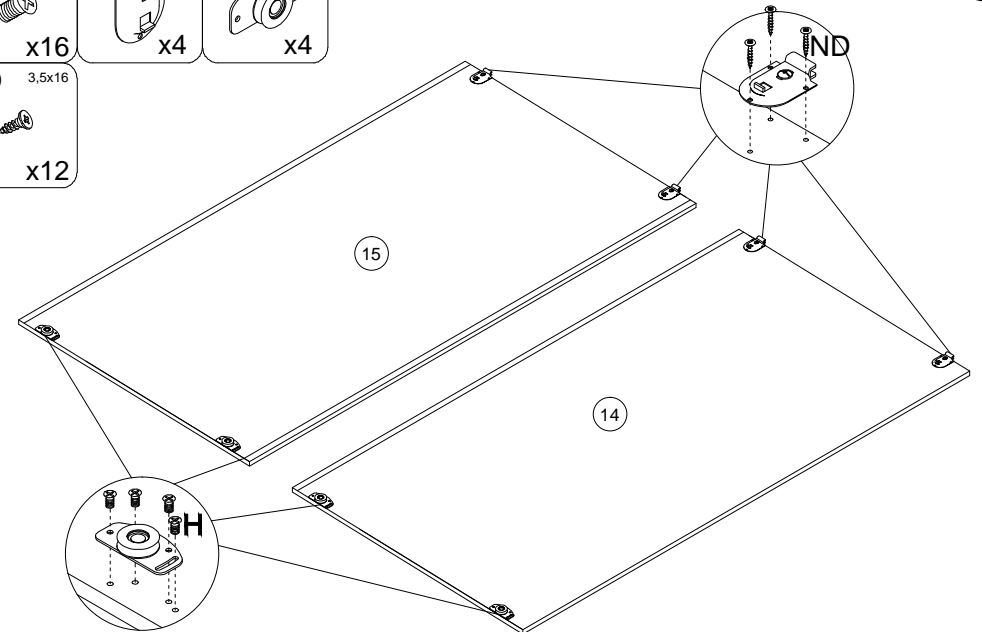
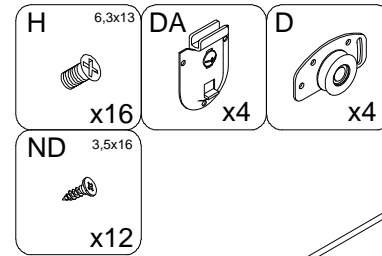
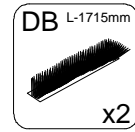
14



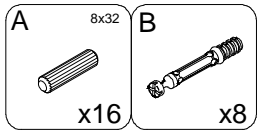
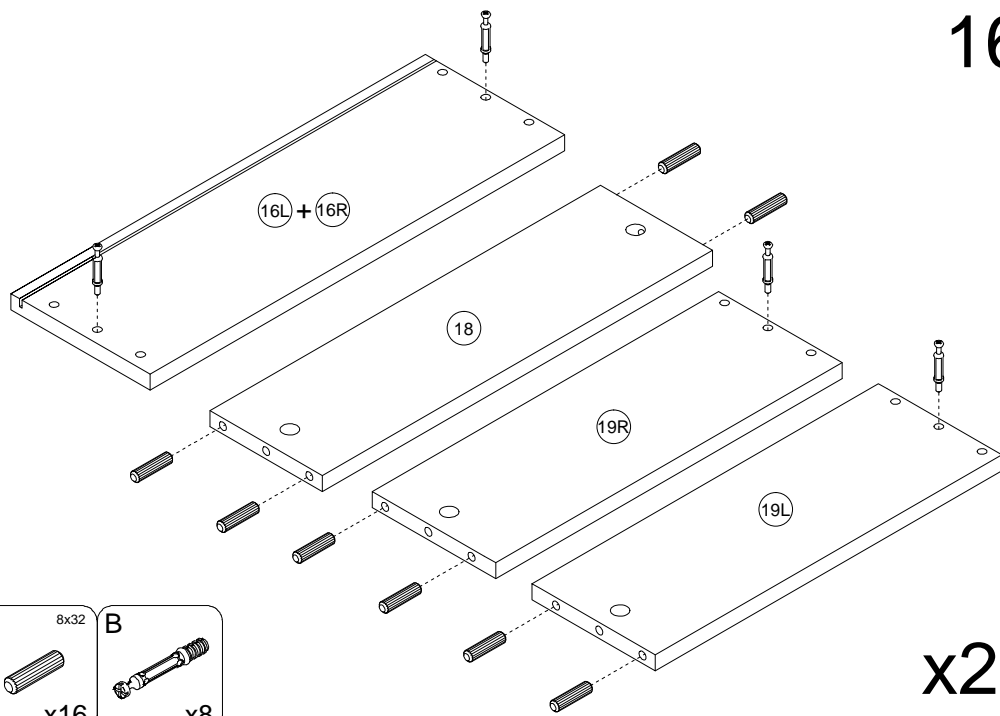
13



15

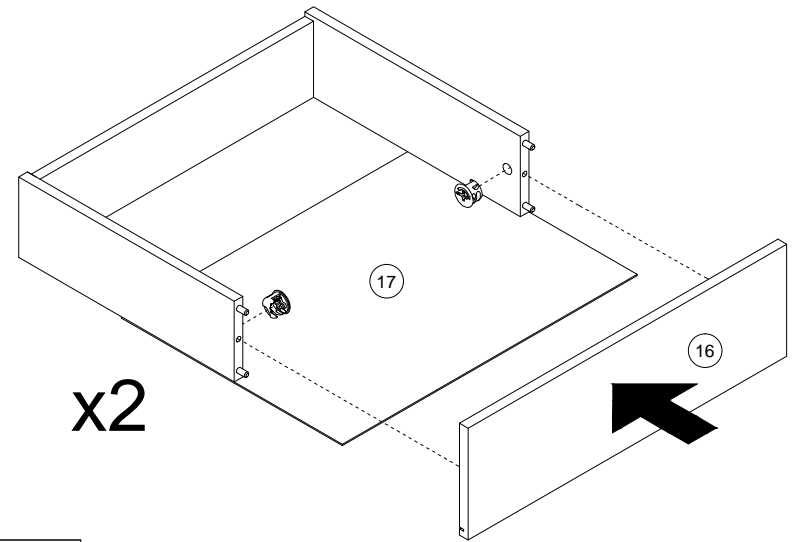


16

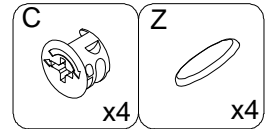
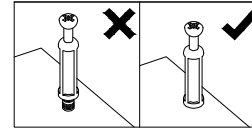


x2

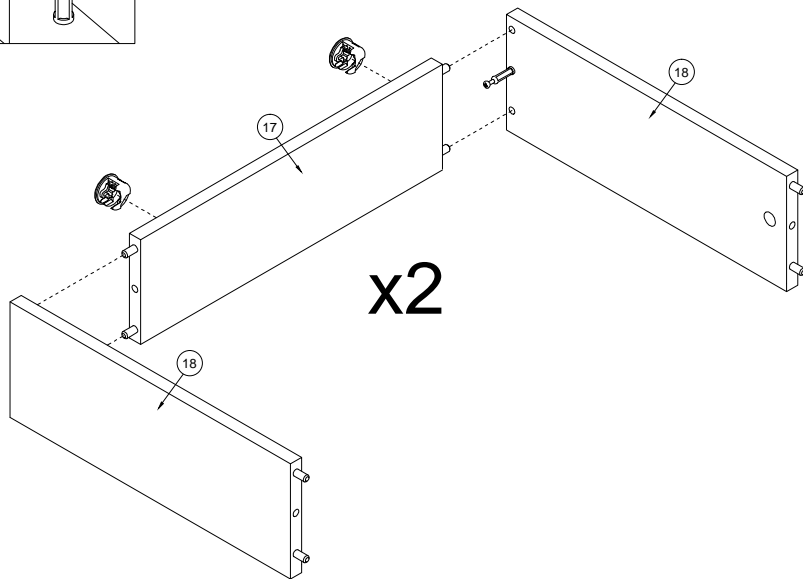
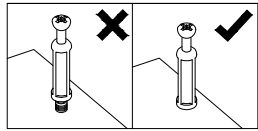
18



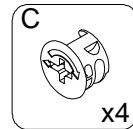
x2



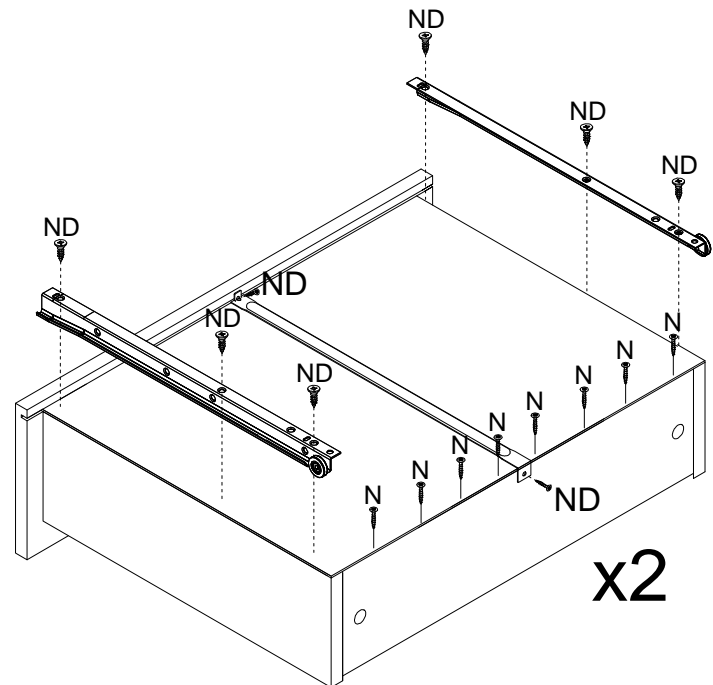
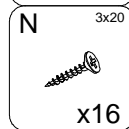
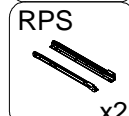
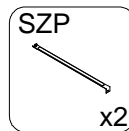
17



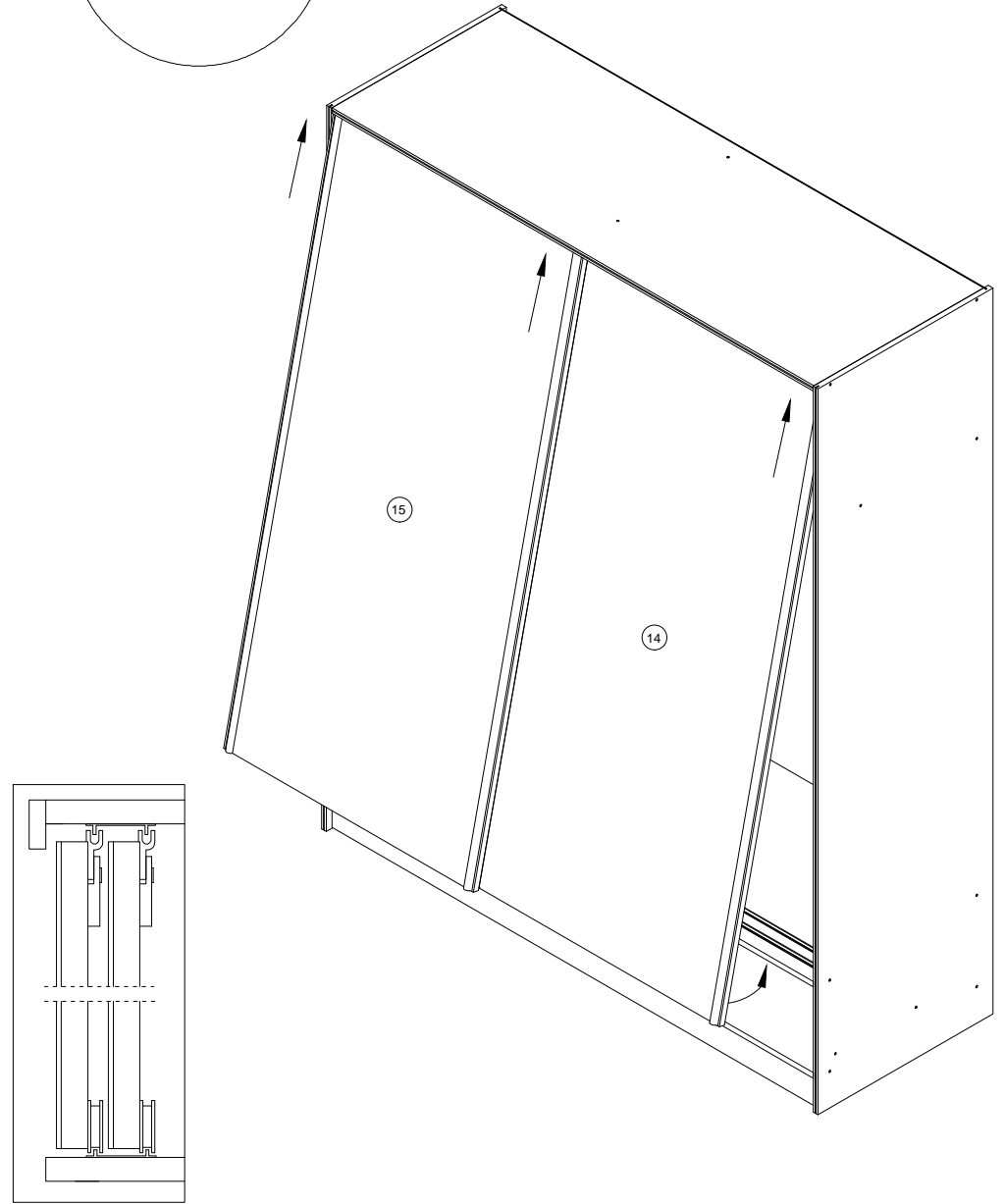
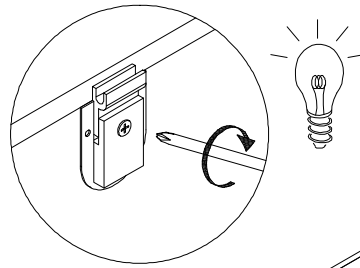
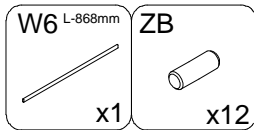
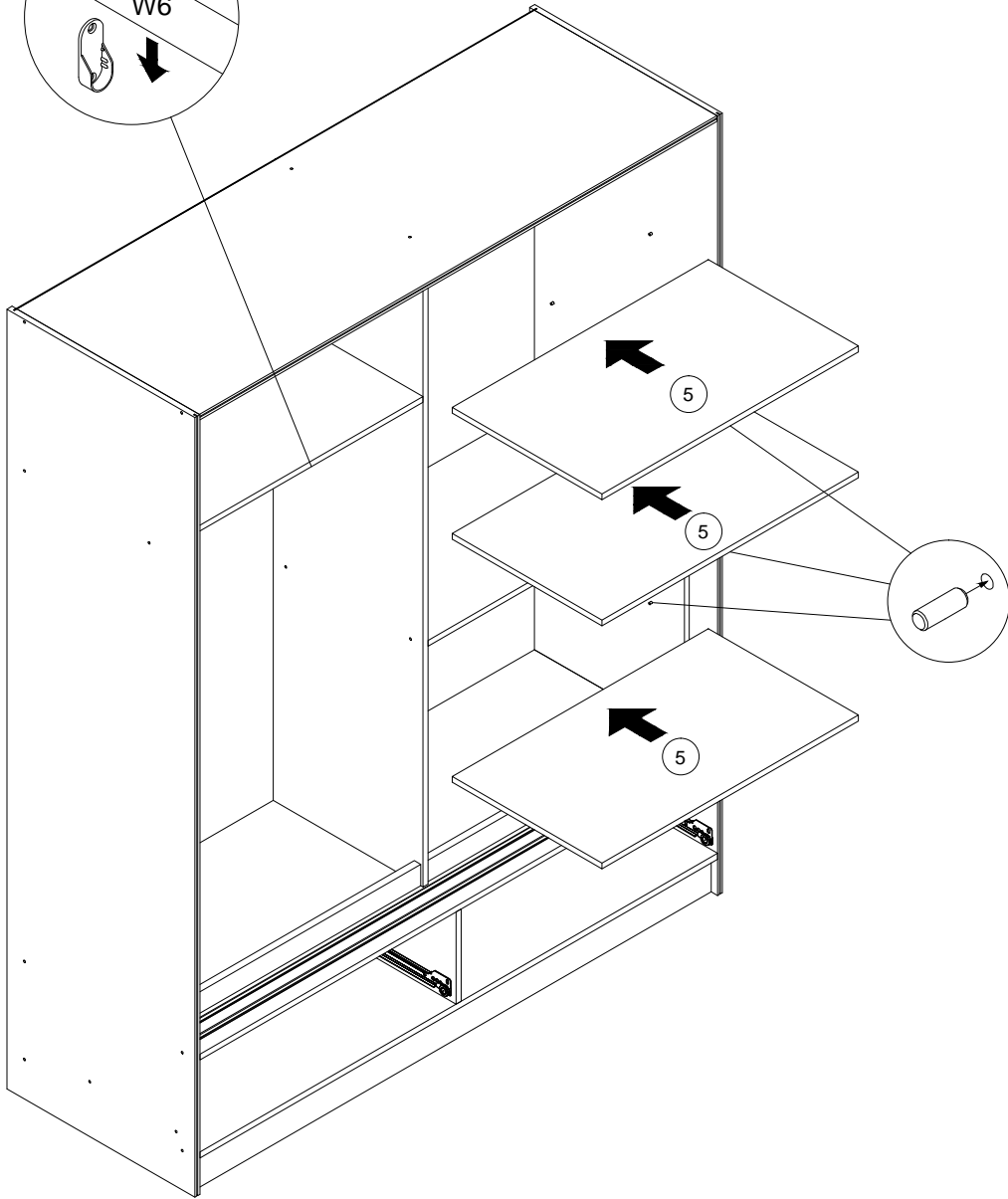
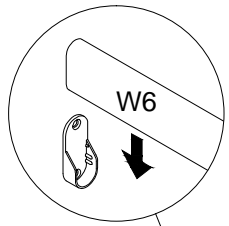
x2



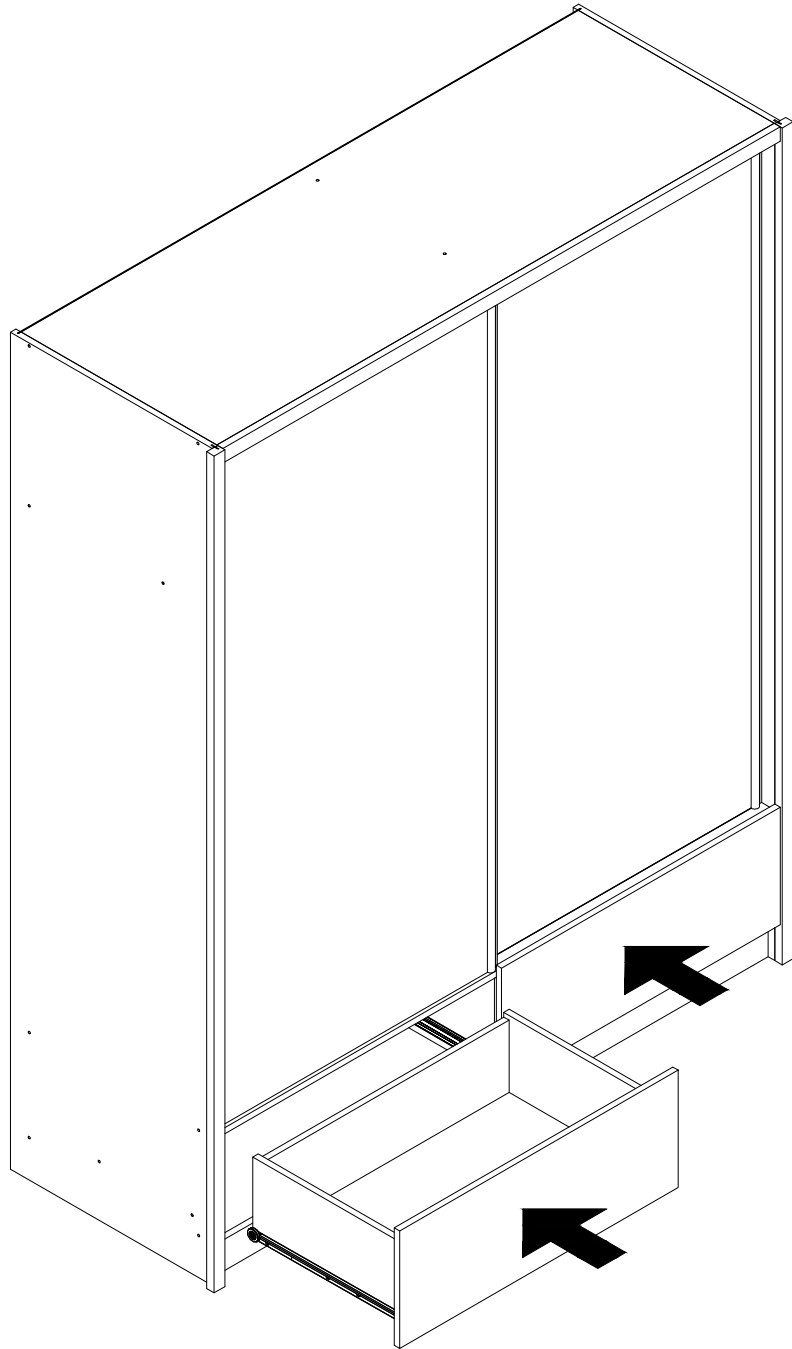
19



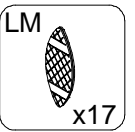
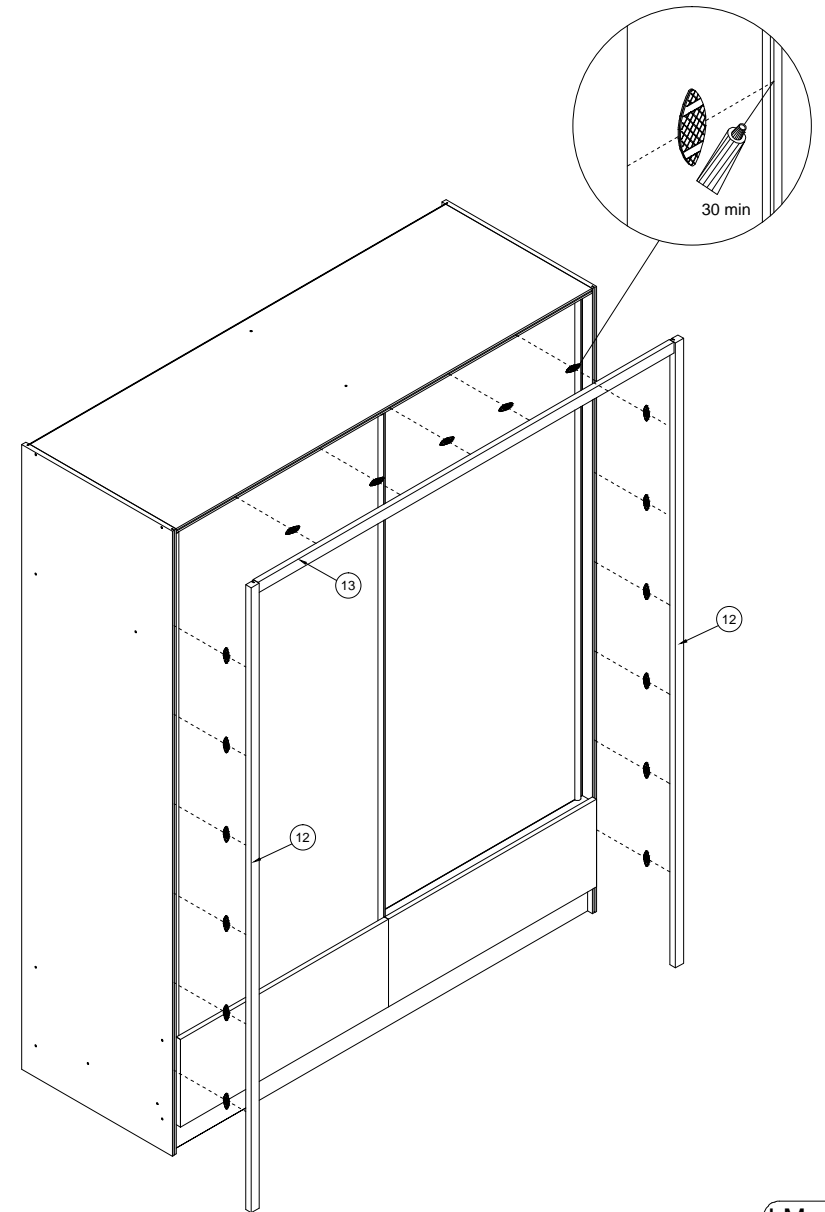
x2



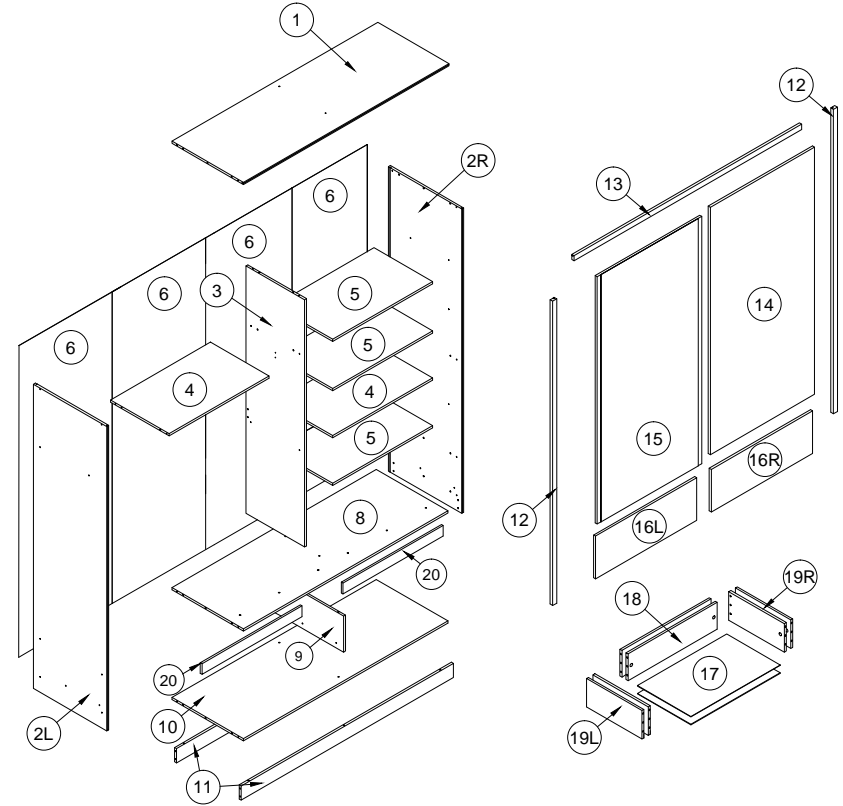
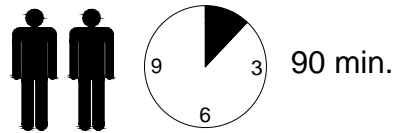
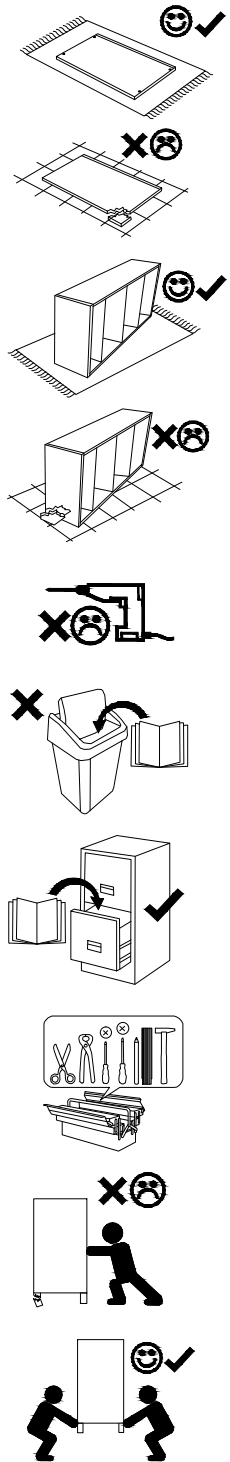
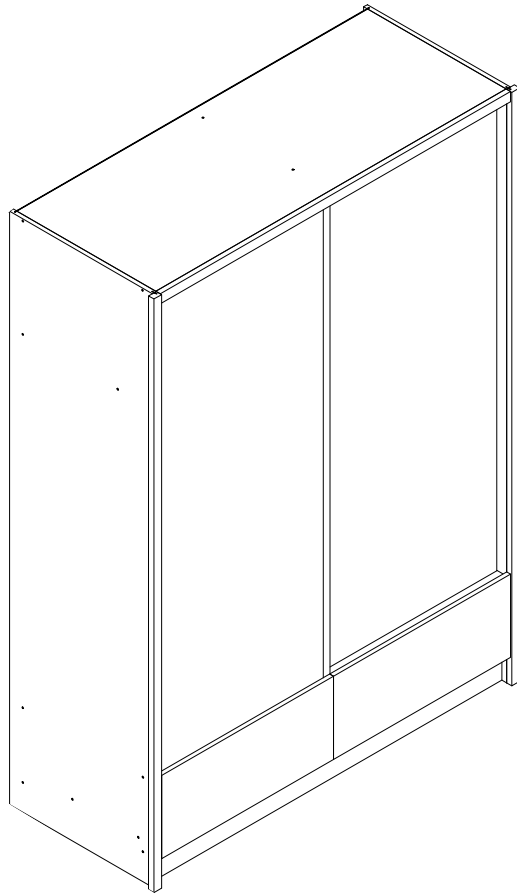
22

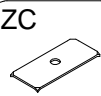

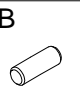
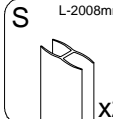

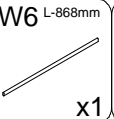
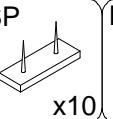
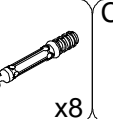
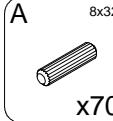

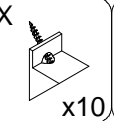
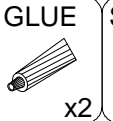
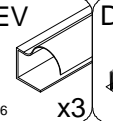
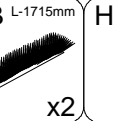
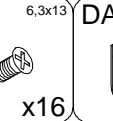
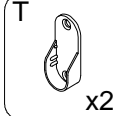

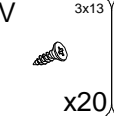
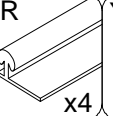
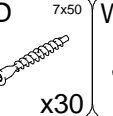
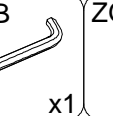
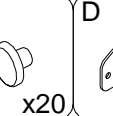
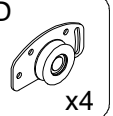


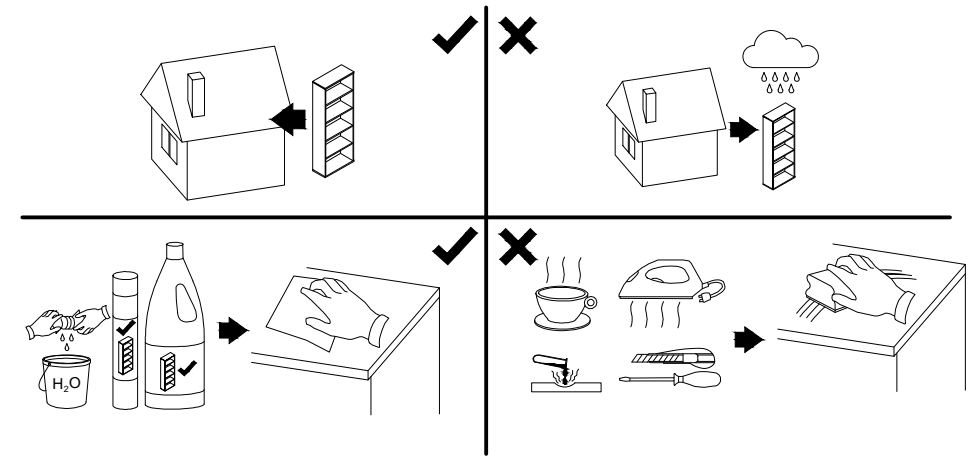
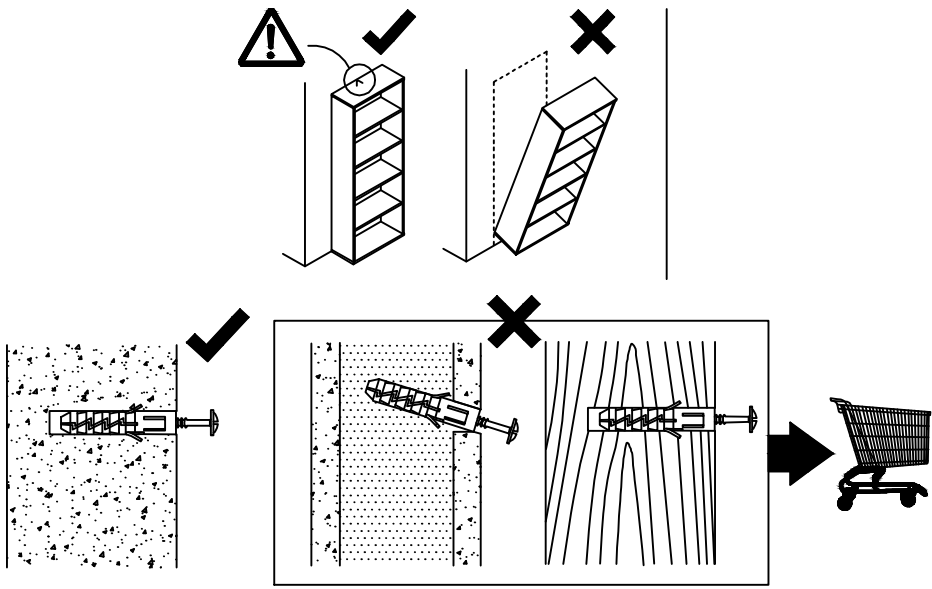
23

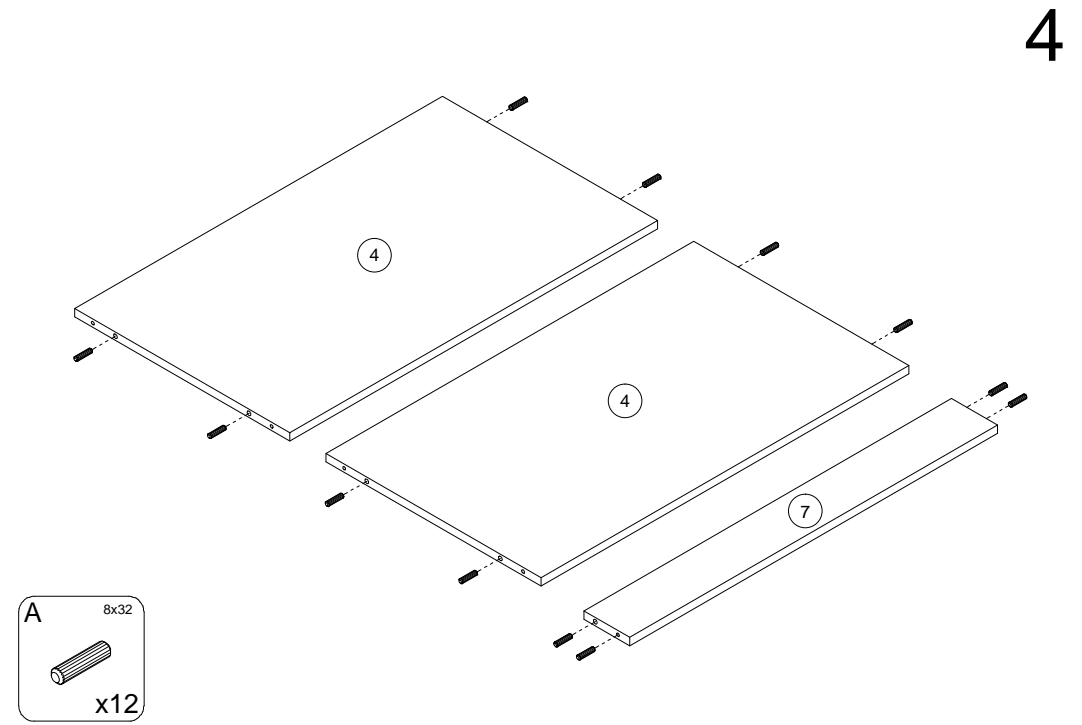
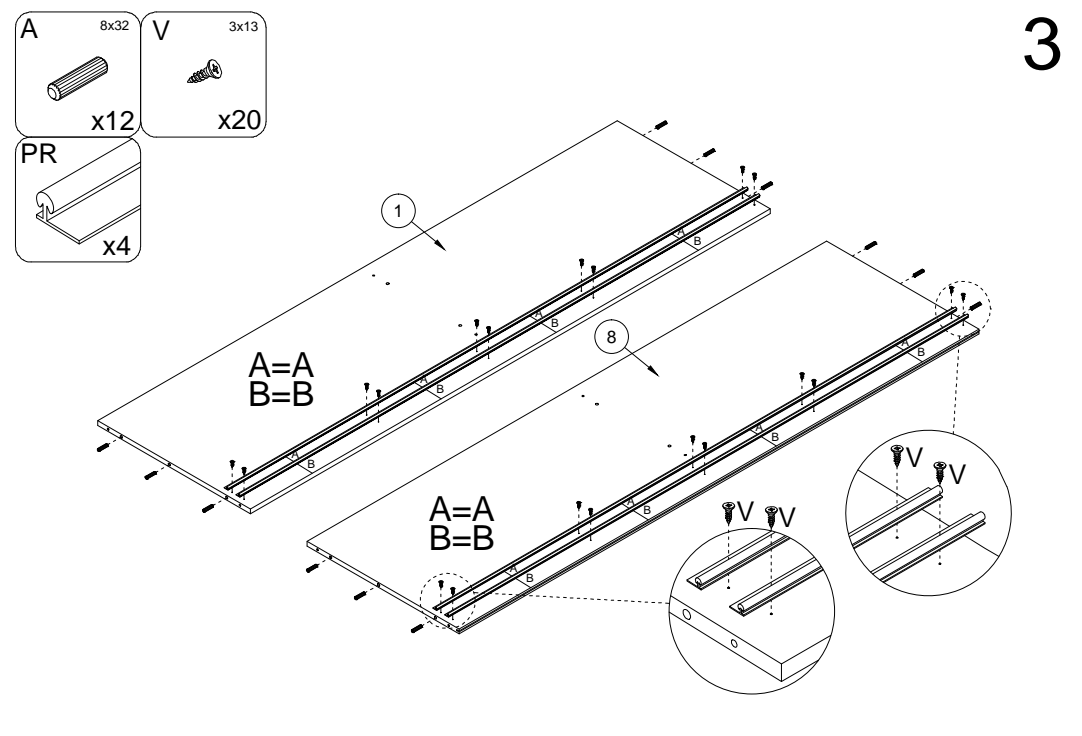
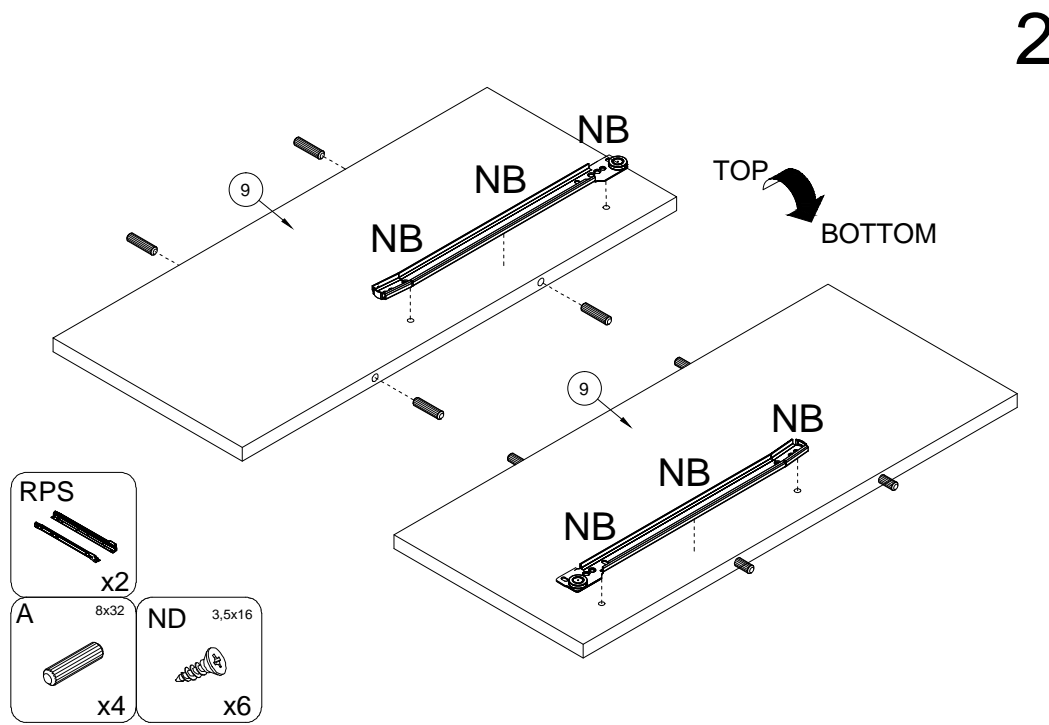
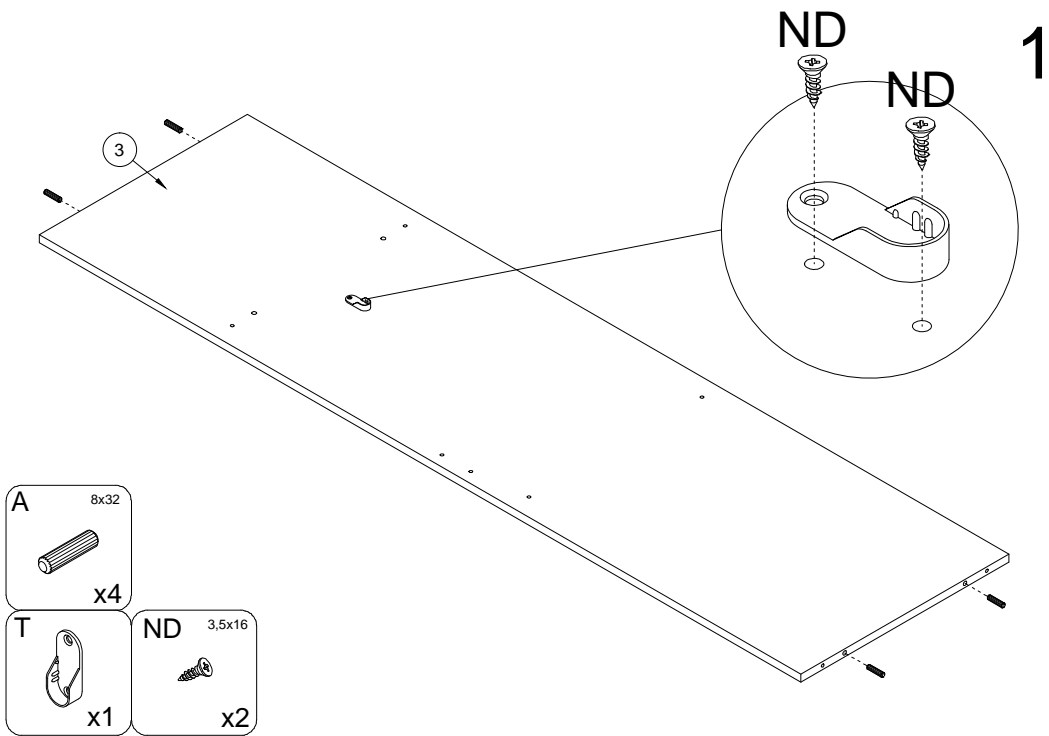


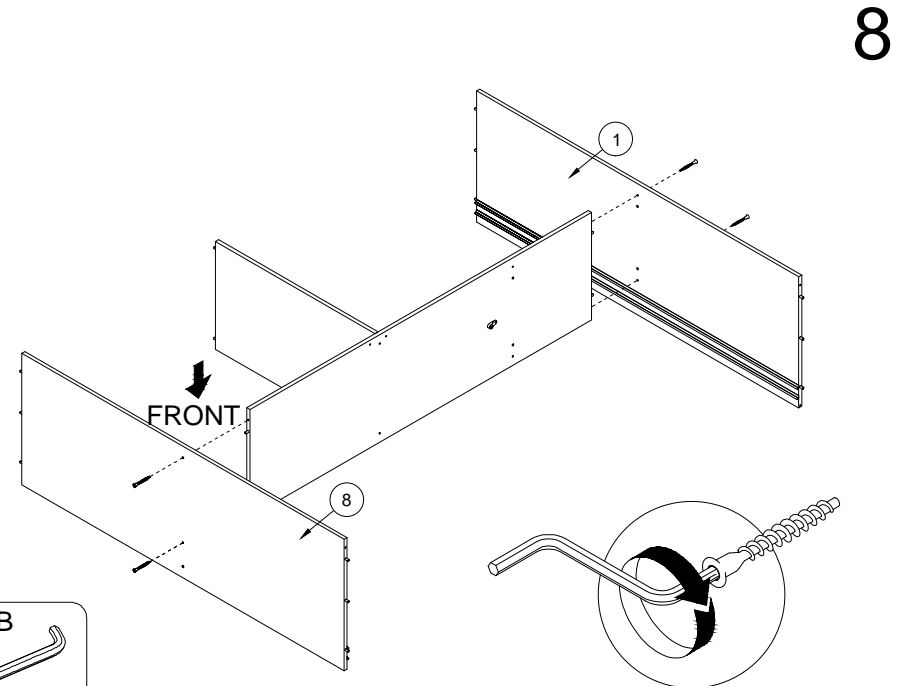
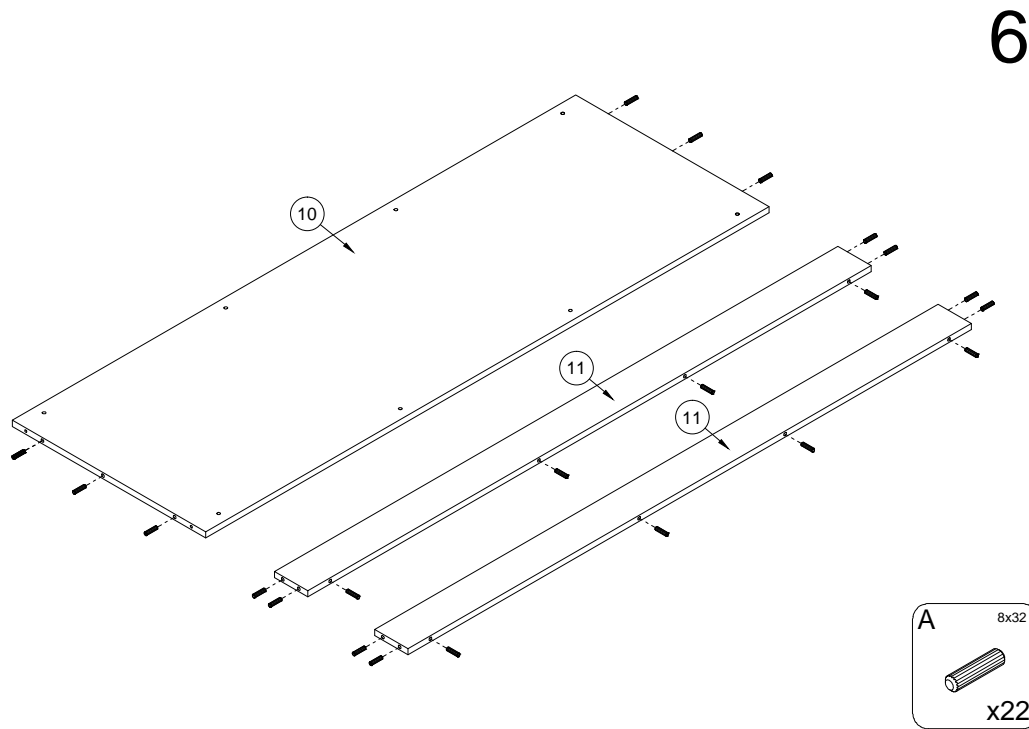
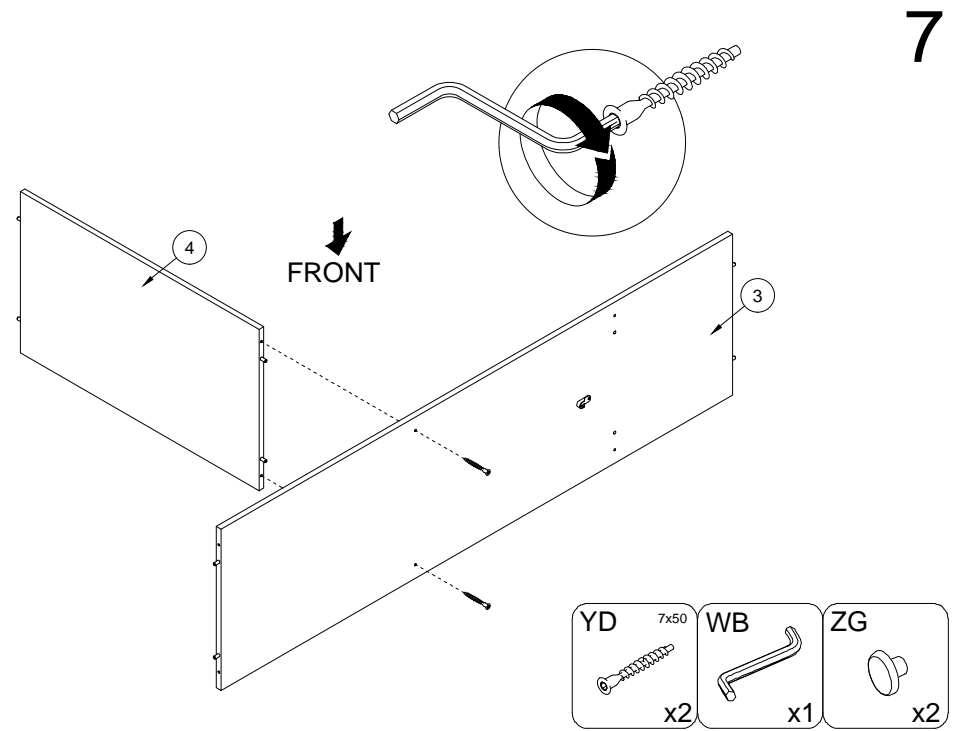
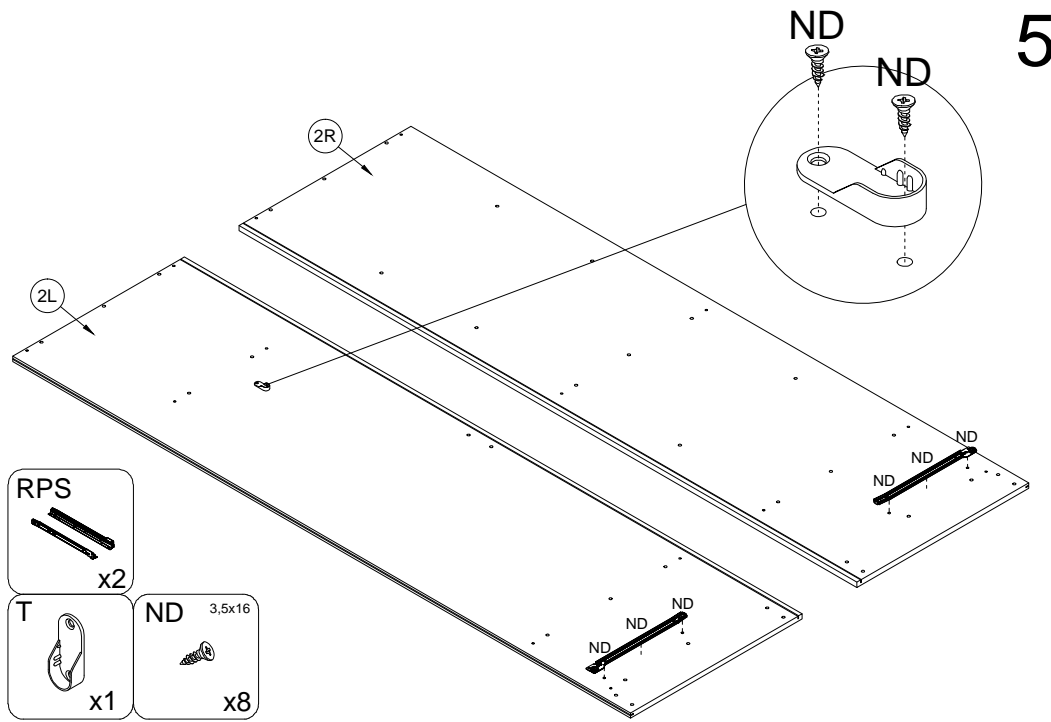
200

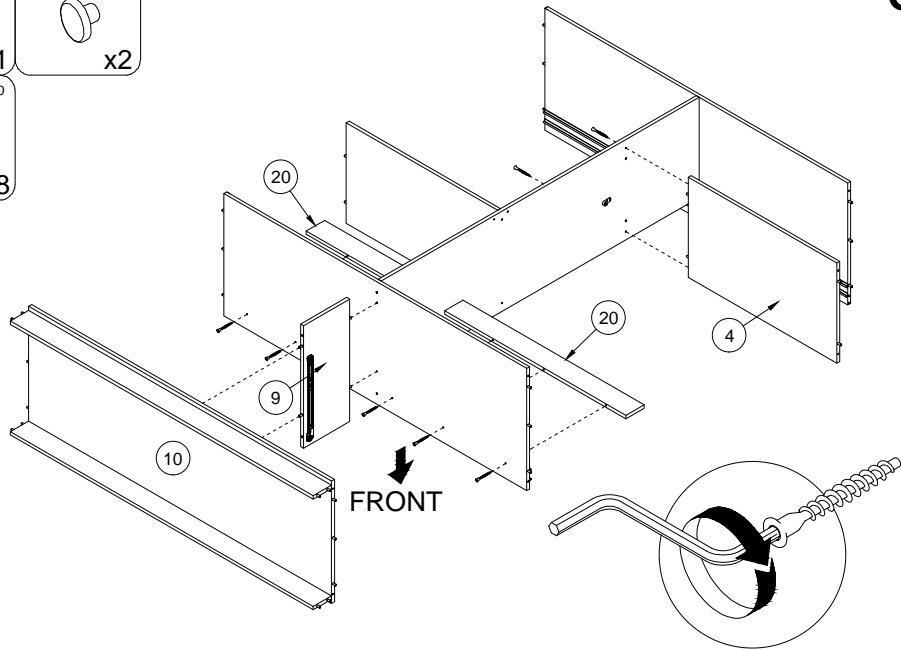
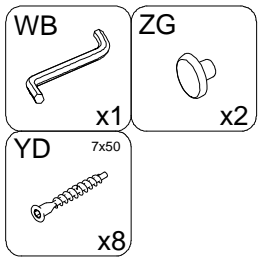


			ZC	LM	ZB								
													
			x15	x17	x12								
S	L-2008mm	N	3x20	W6	L-868mm	SP	B	C					
	x2		x91		x1		x10		x8				
A	8x32	RPS	450	X	GLUE	SEV	DB	L-1715mm	H	6,3x13	DA	450	
	x70		x2		x10		x2		x3		x2		x16
T	ND	3,5x16	V	3x13	PR	YD	7x50	WB	ZG	D			
	x2		x50		x20		x4		x30		x1		x20
											x4		

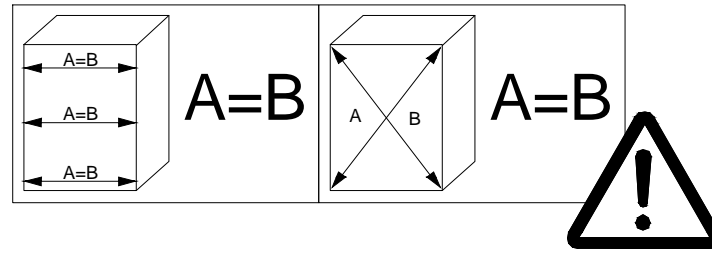




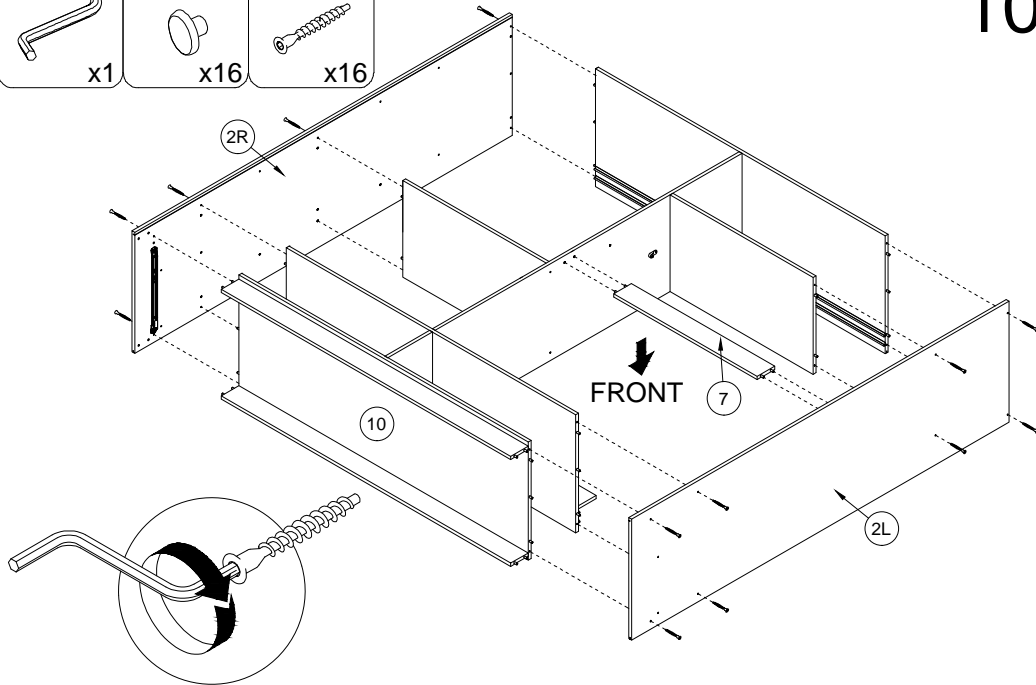
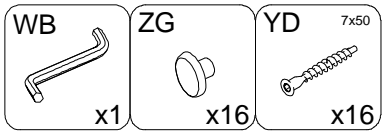




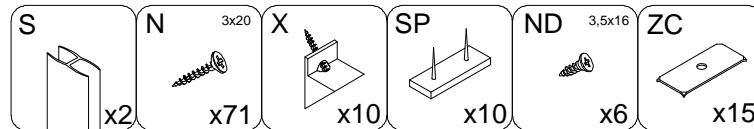
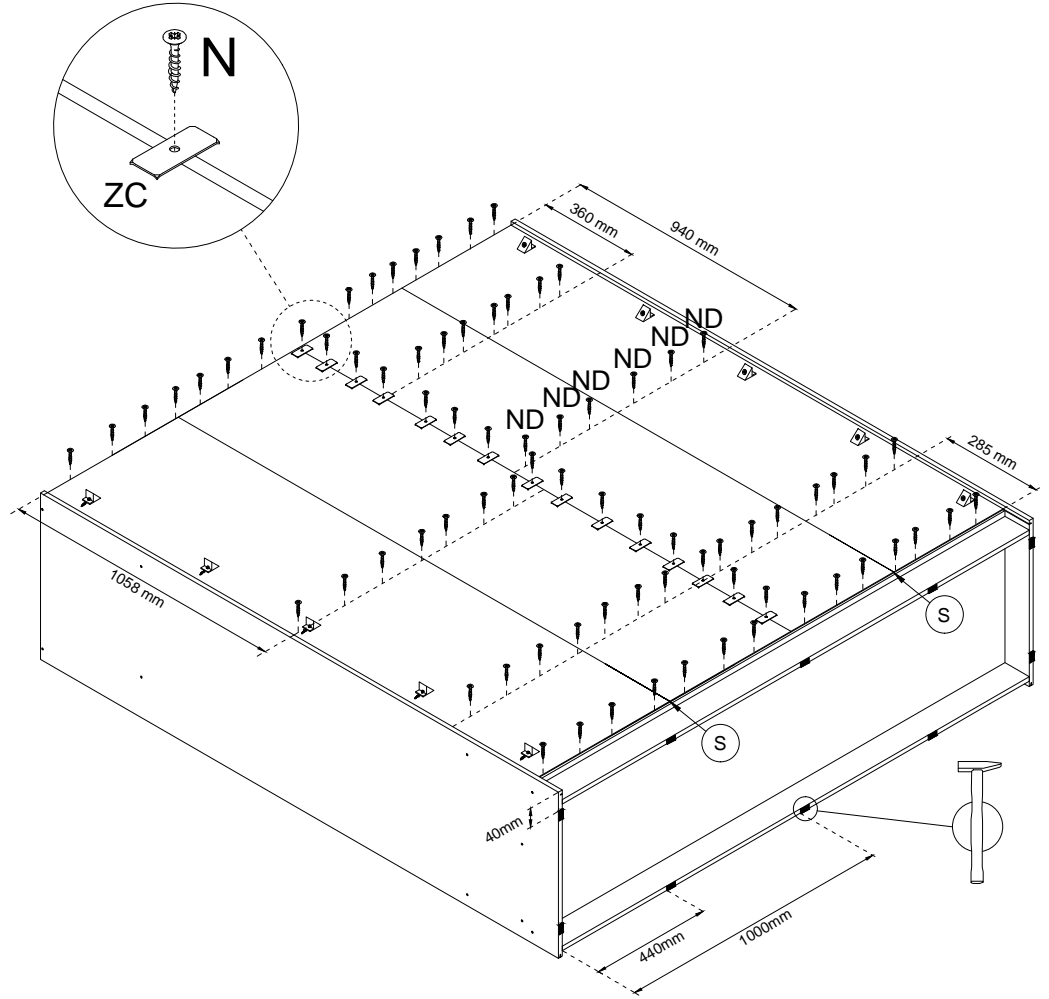
9

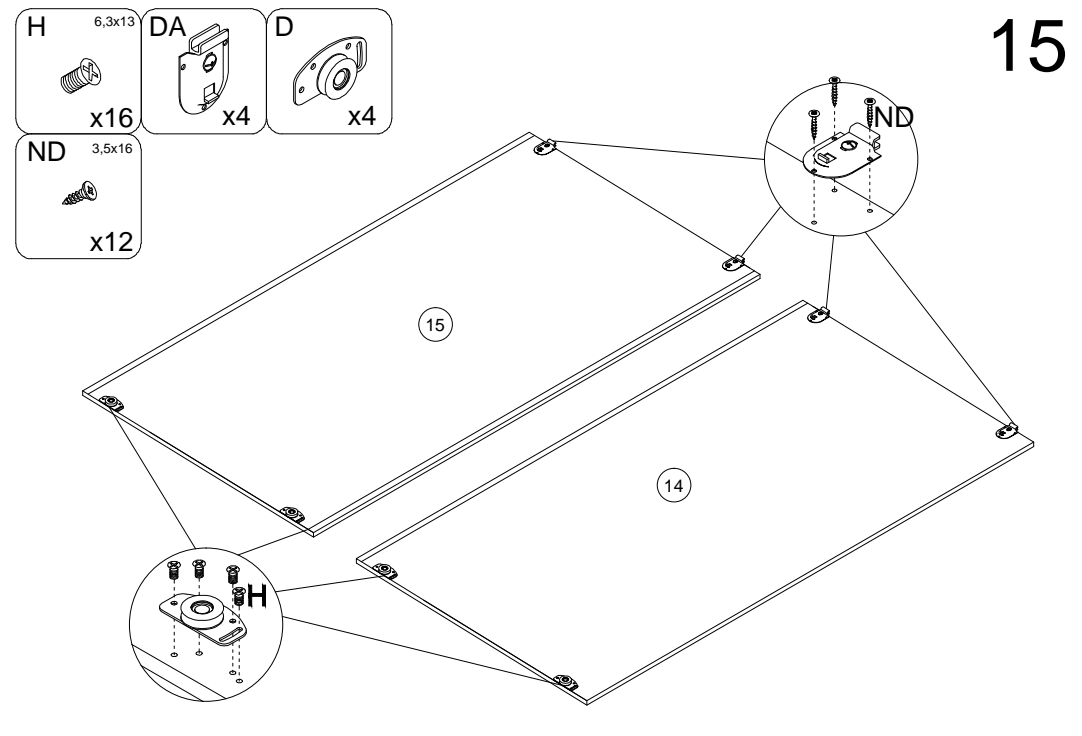
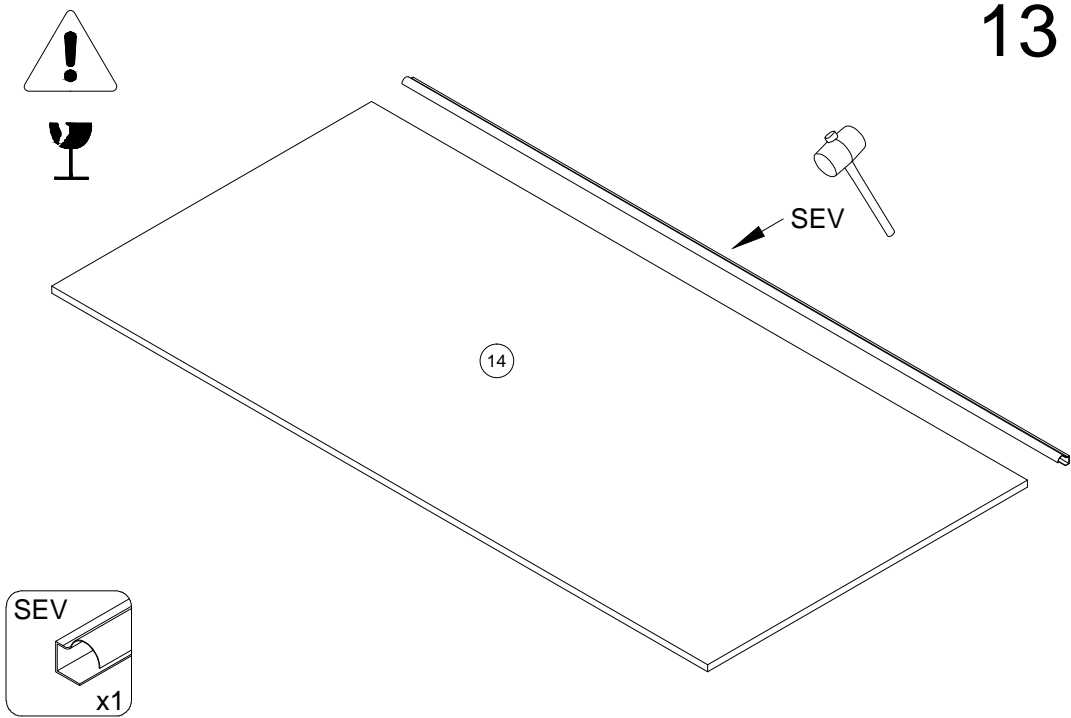
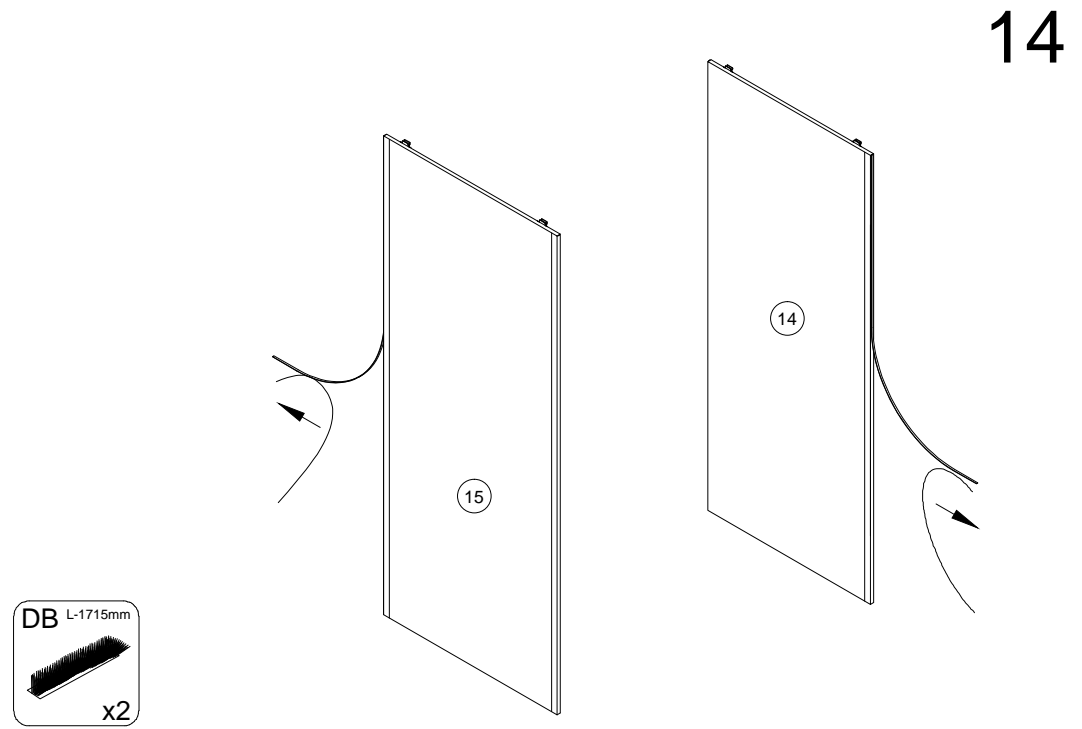
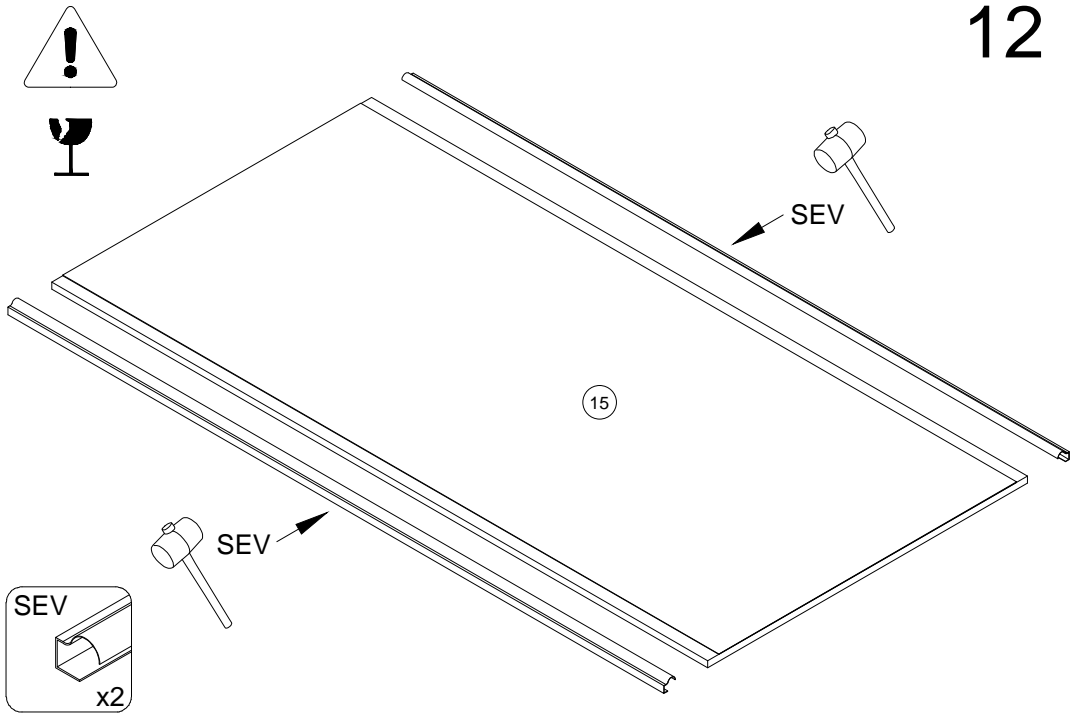


11

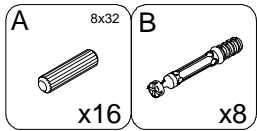
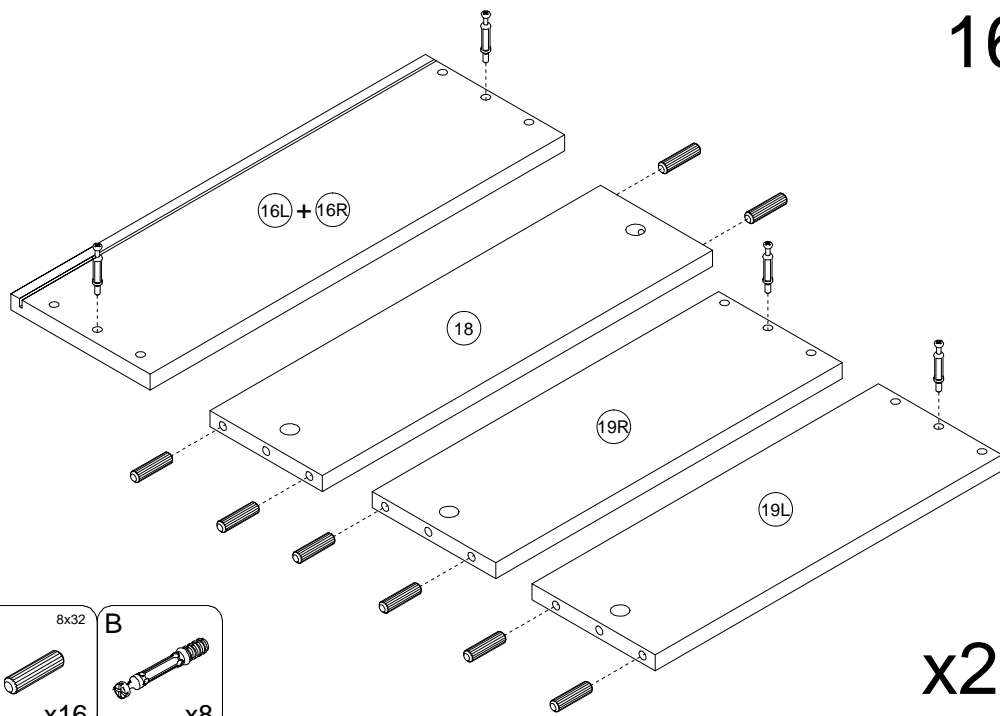


10



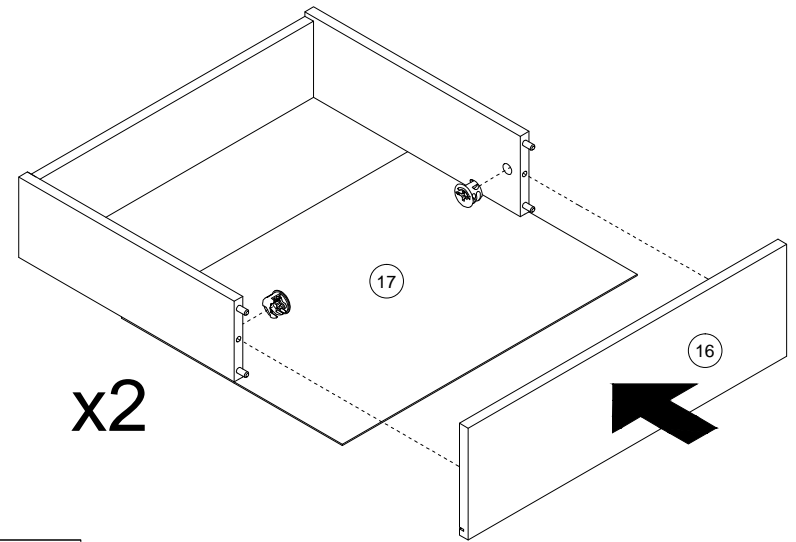


16

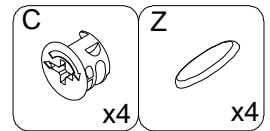
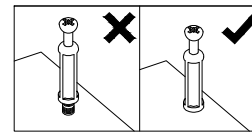


x2

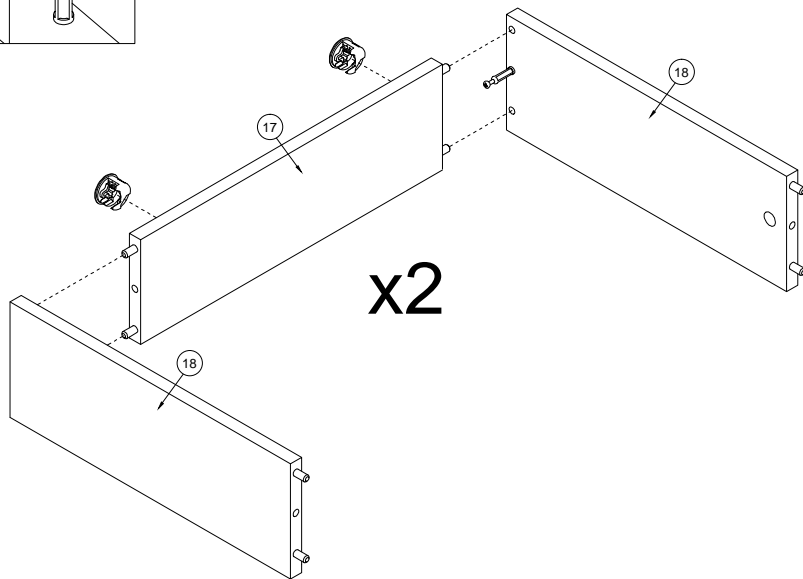
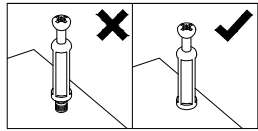
18



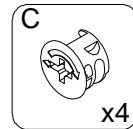
x2



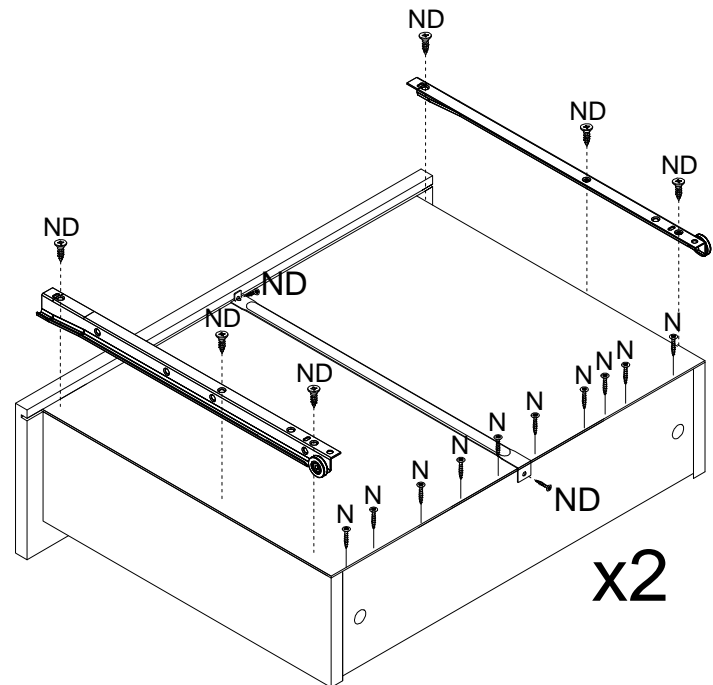
17



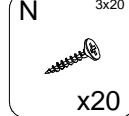
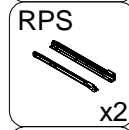
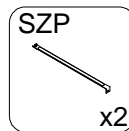
x2

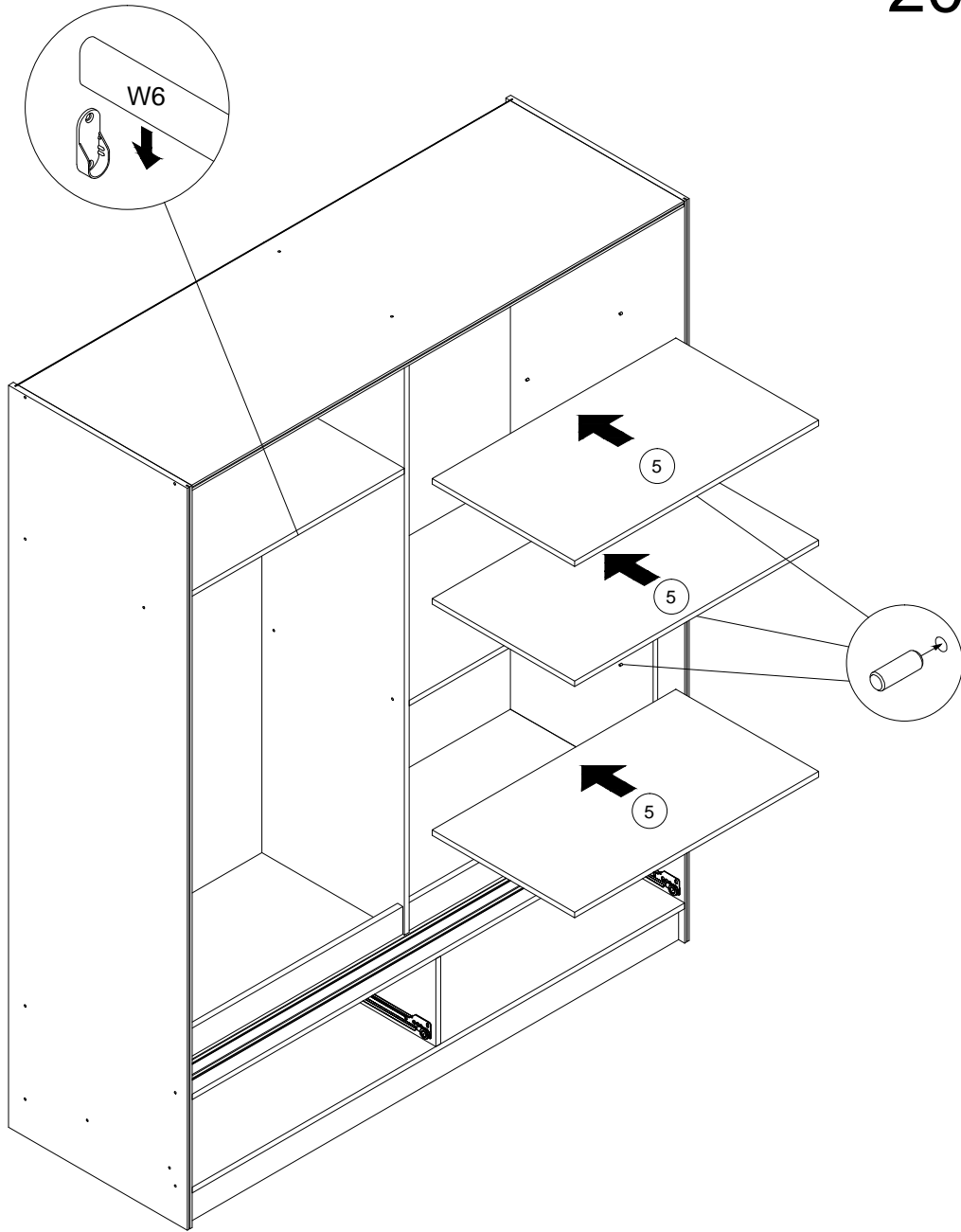


19

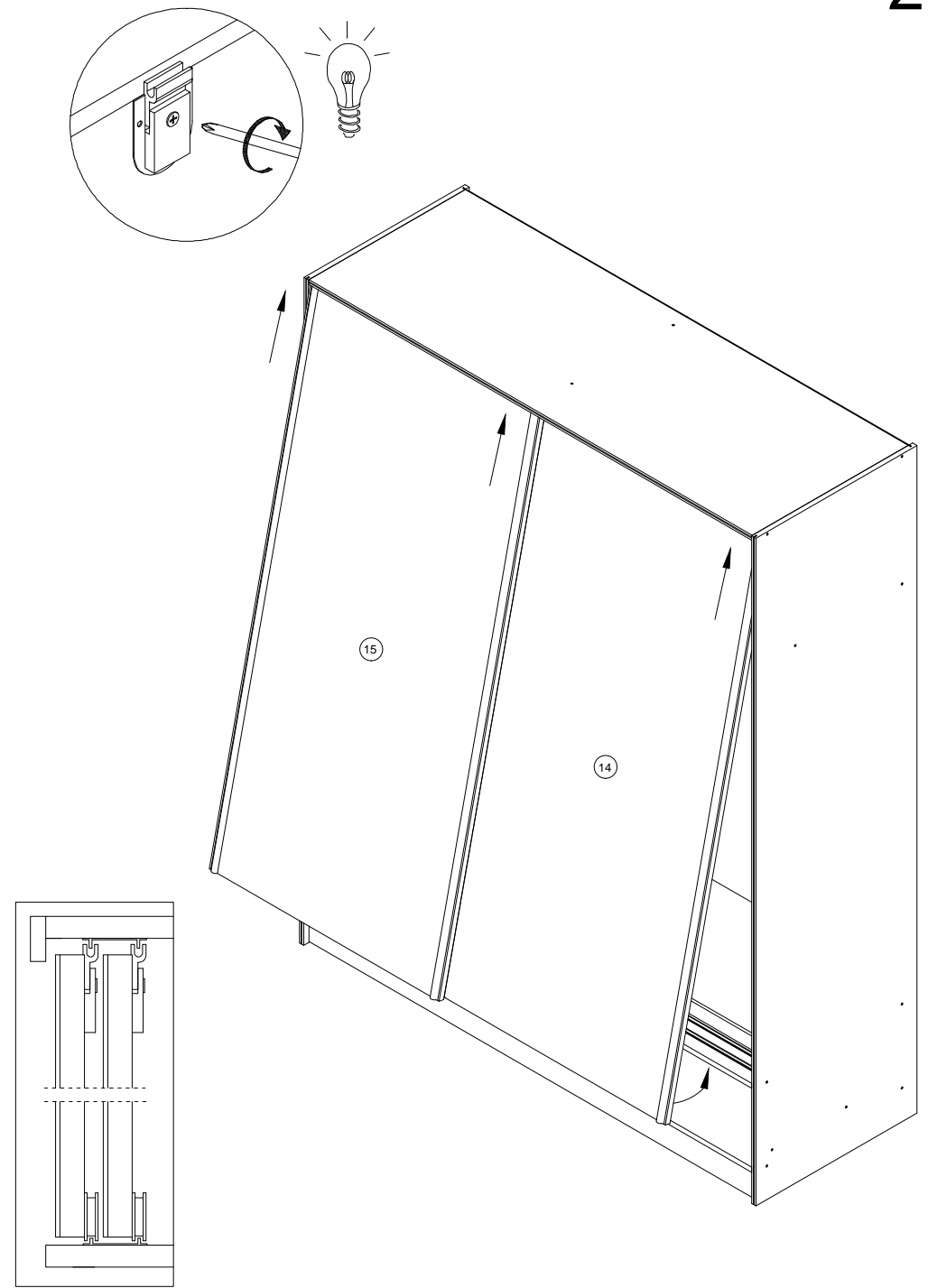


x2

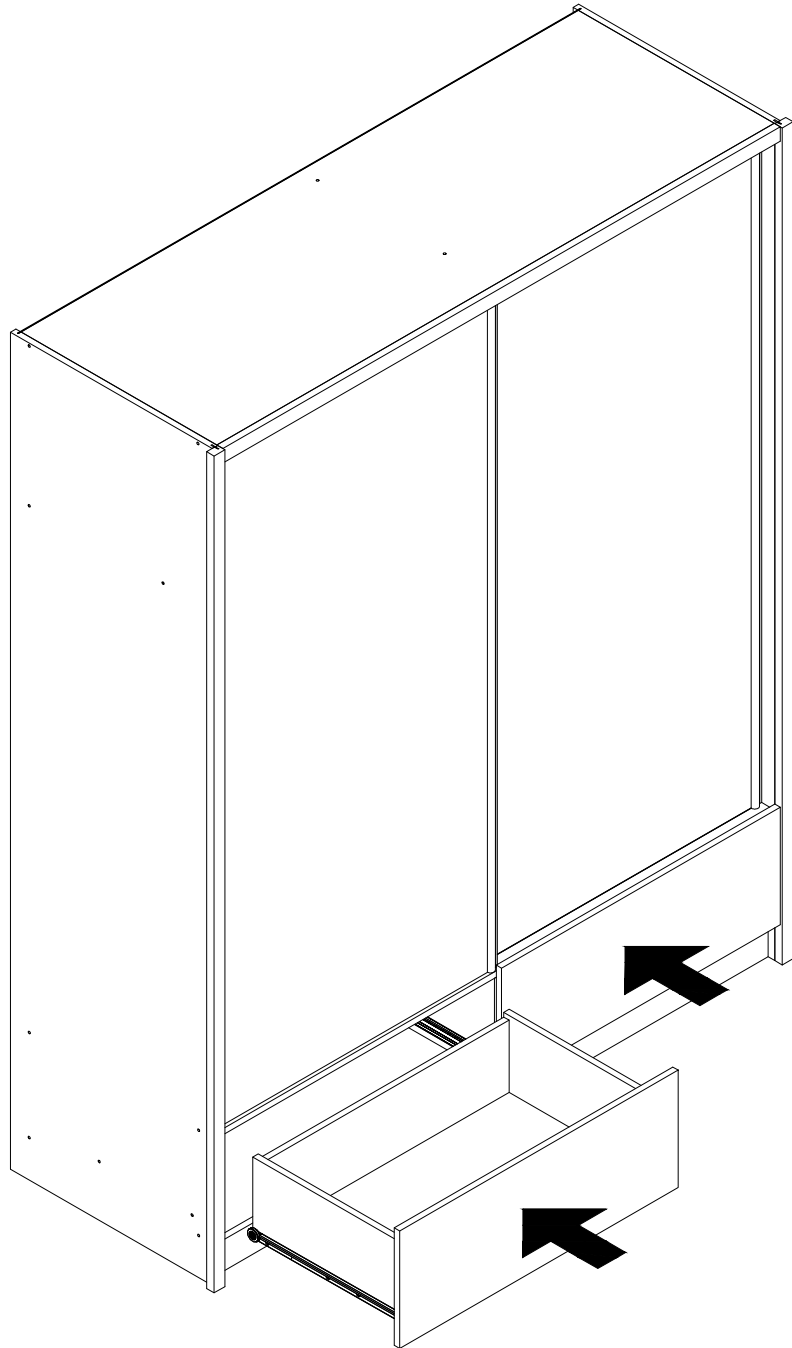




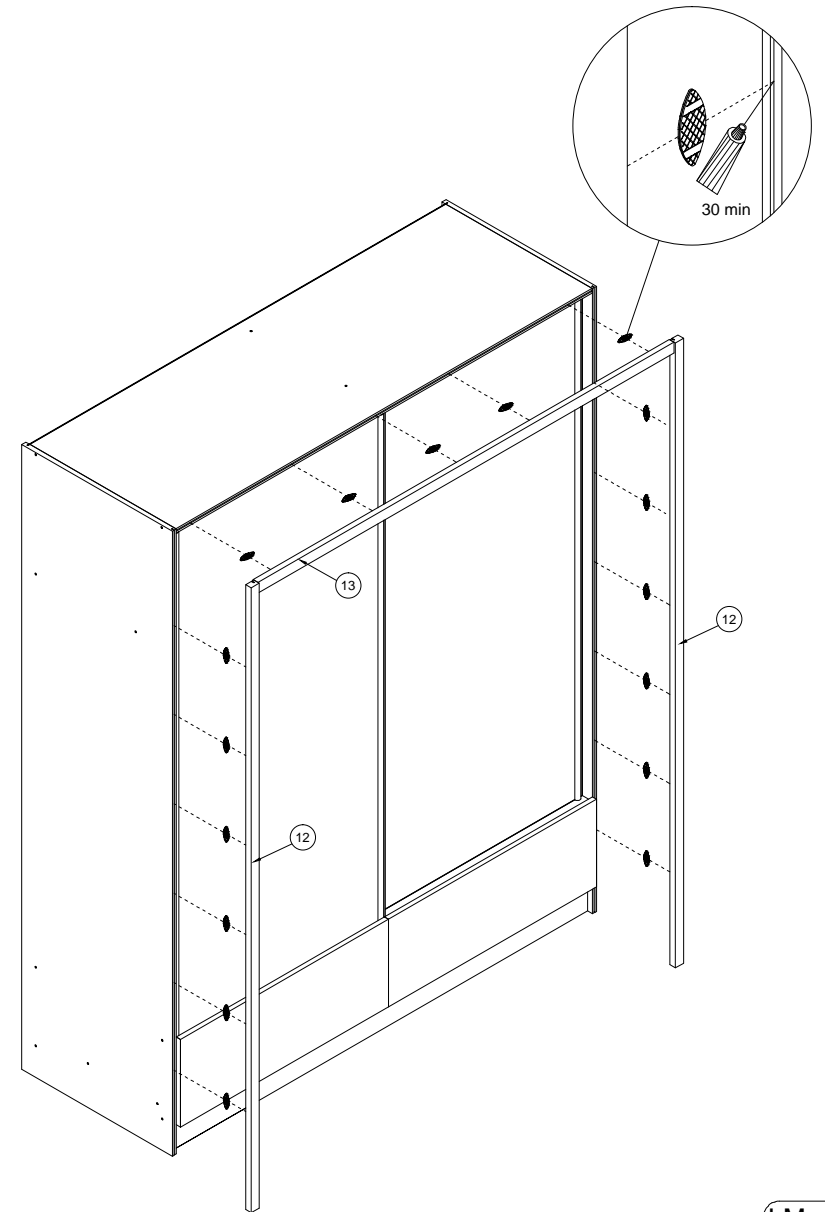
W6 L-868mm x1	ZB x12
------------------	-----------



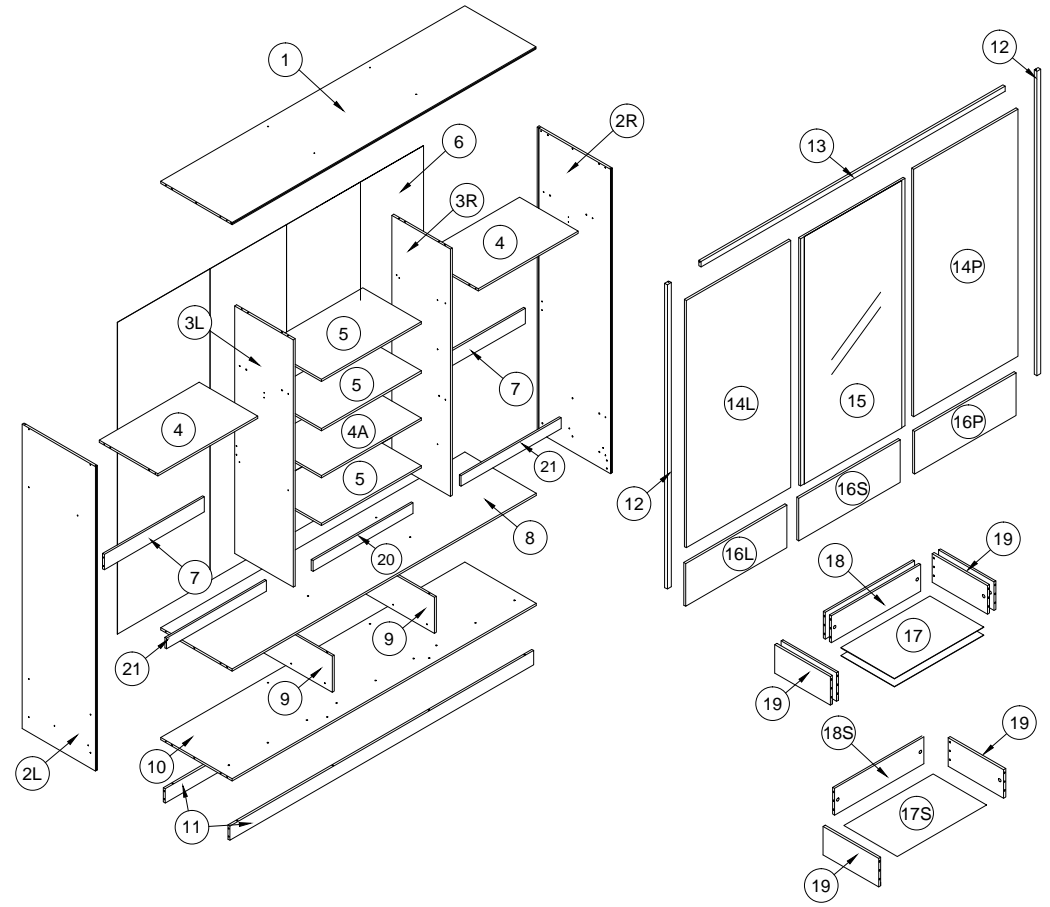
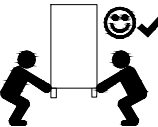
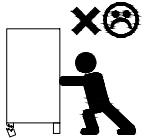
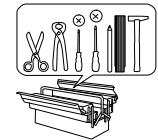
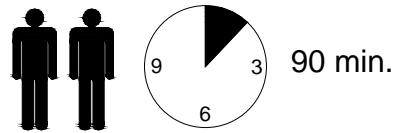
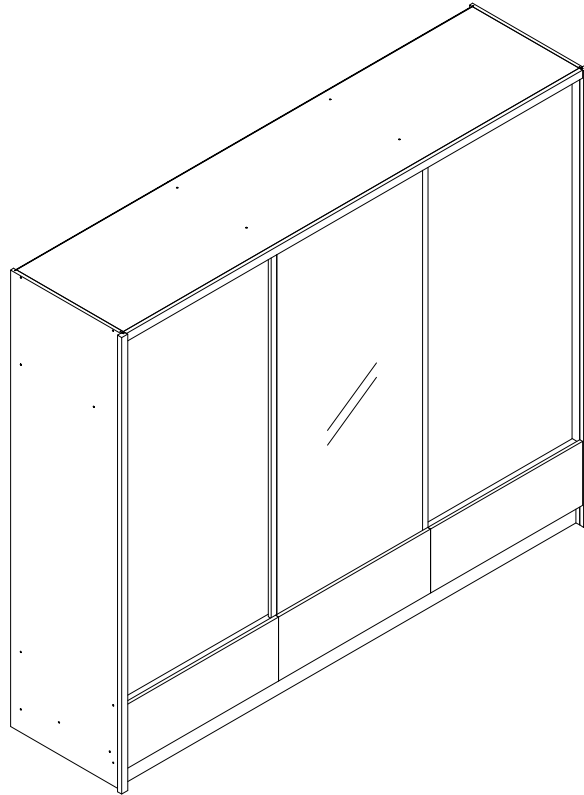
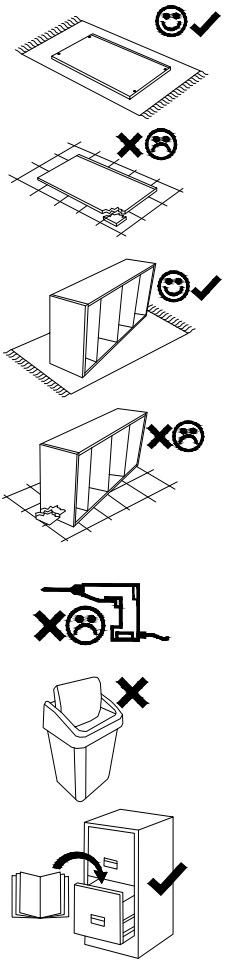
22



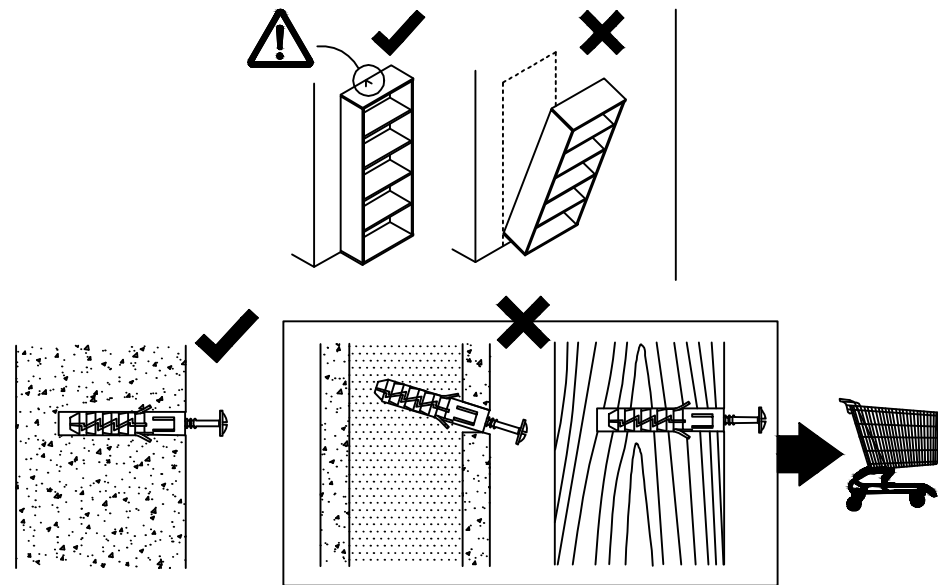
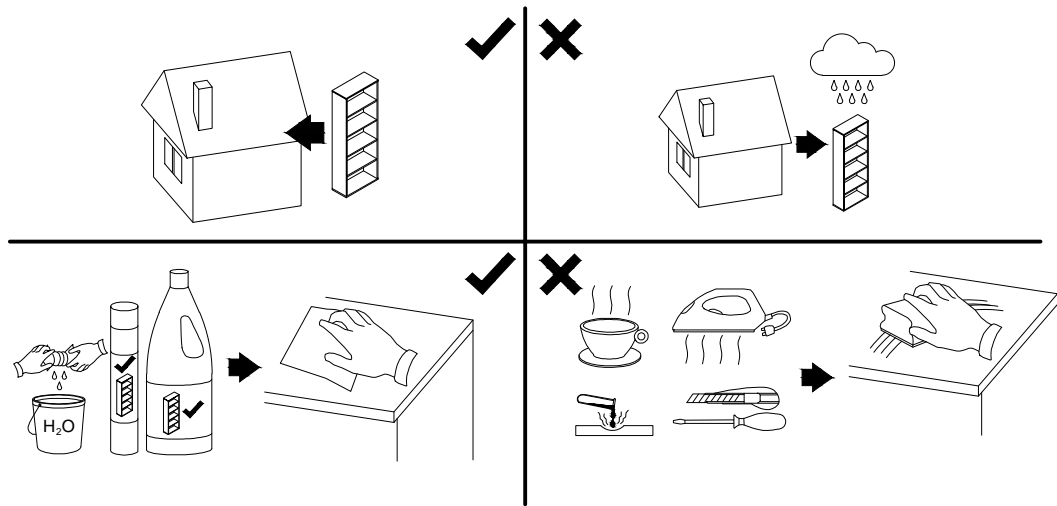
23

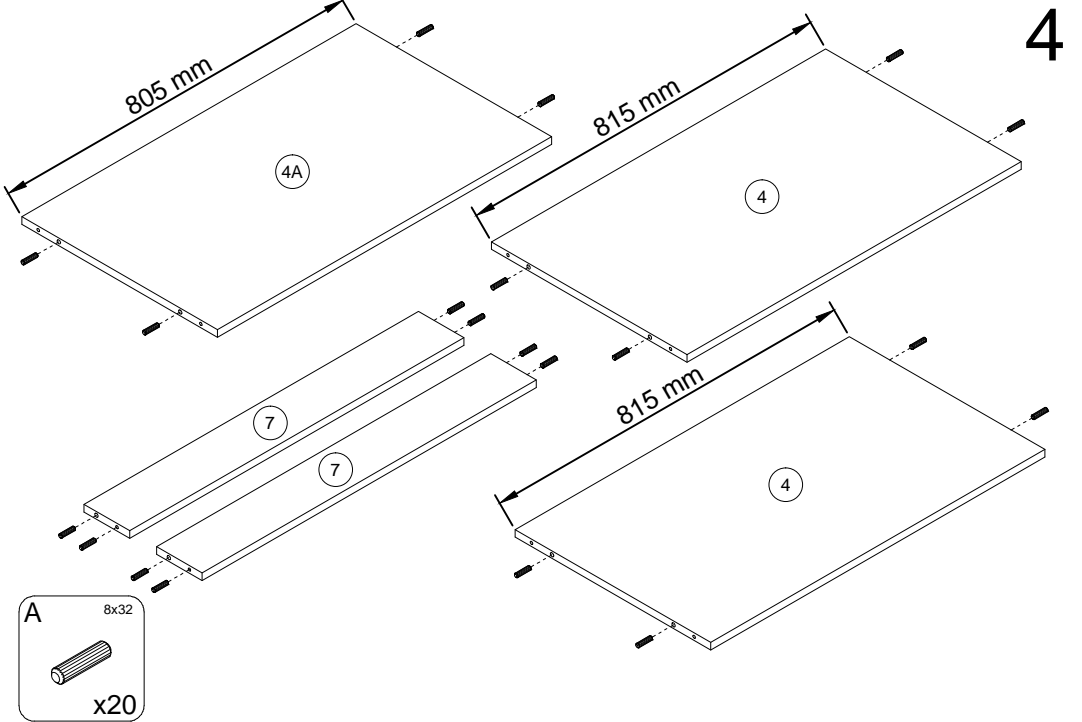
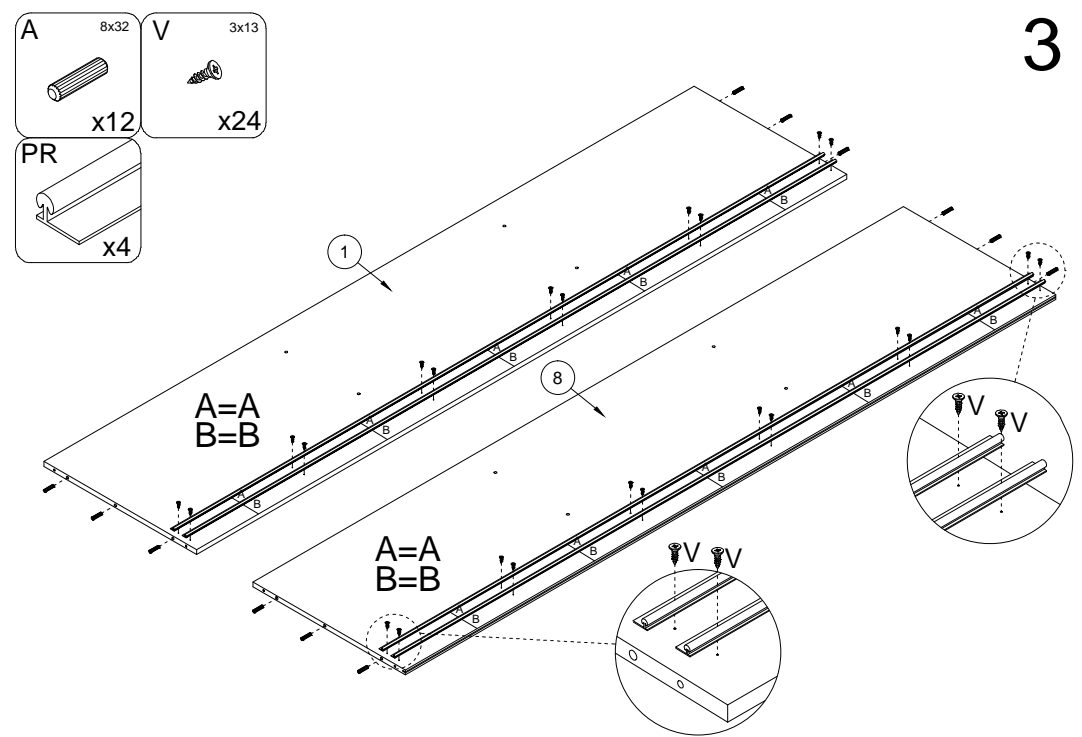
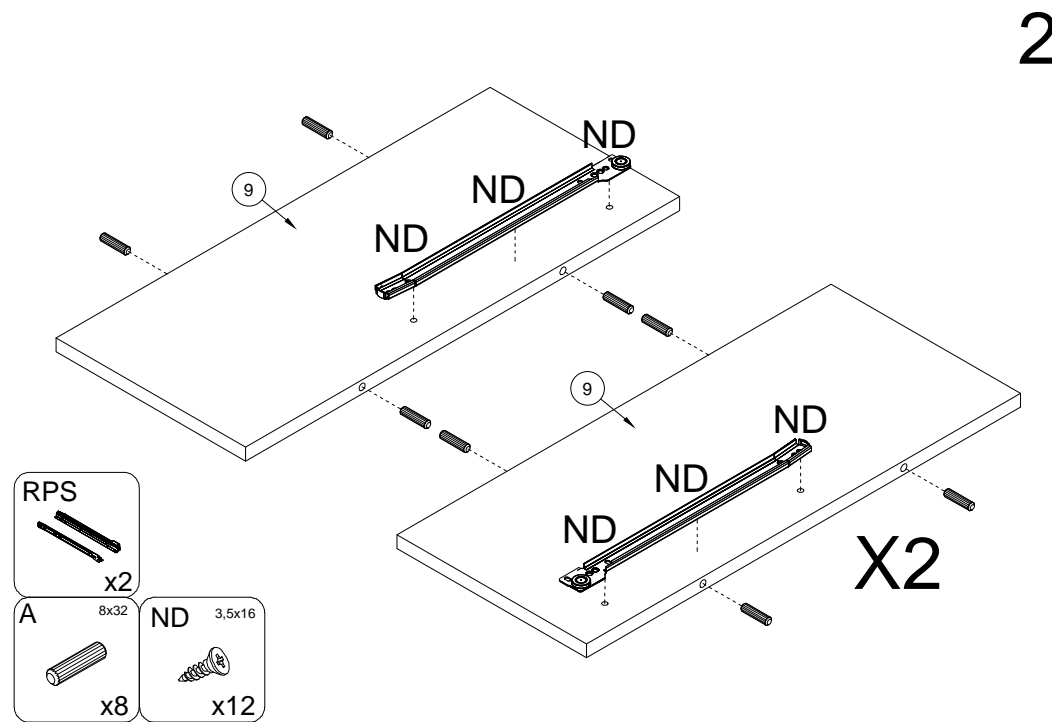
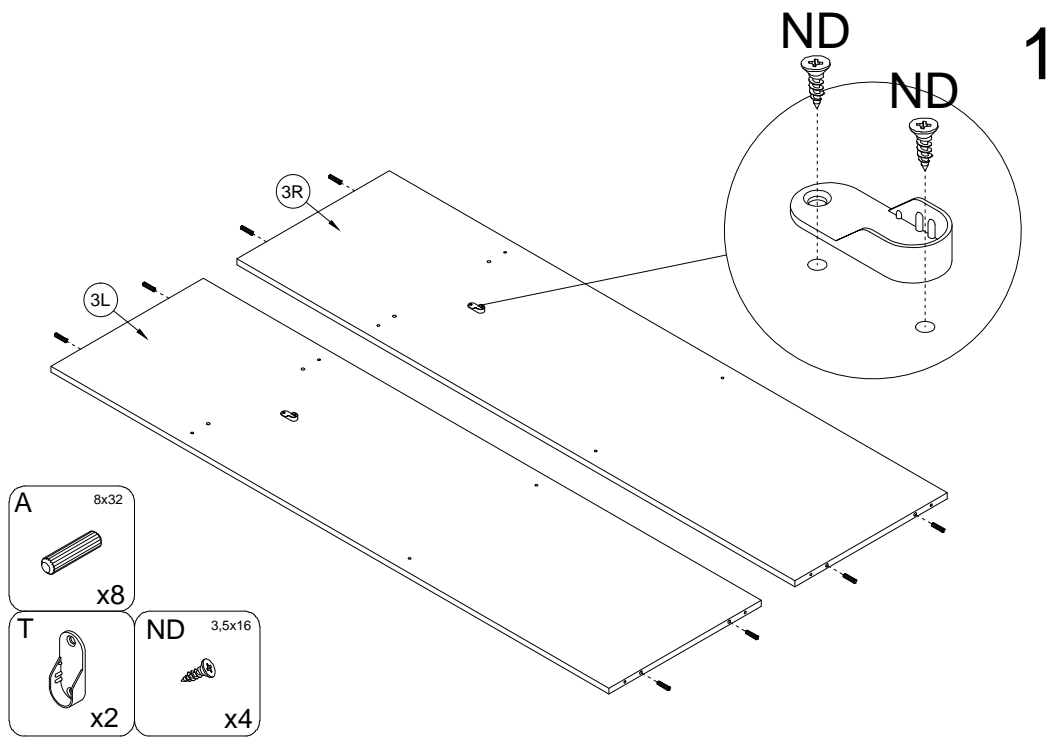


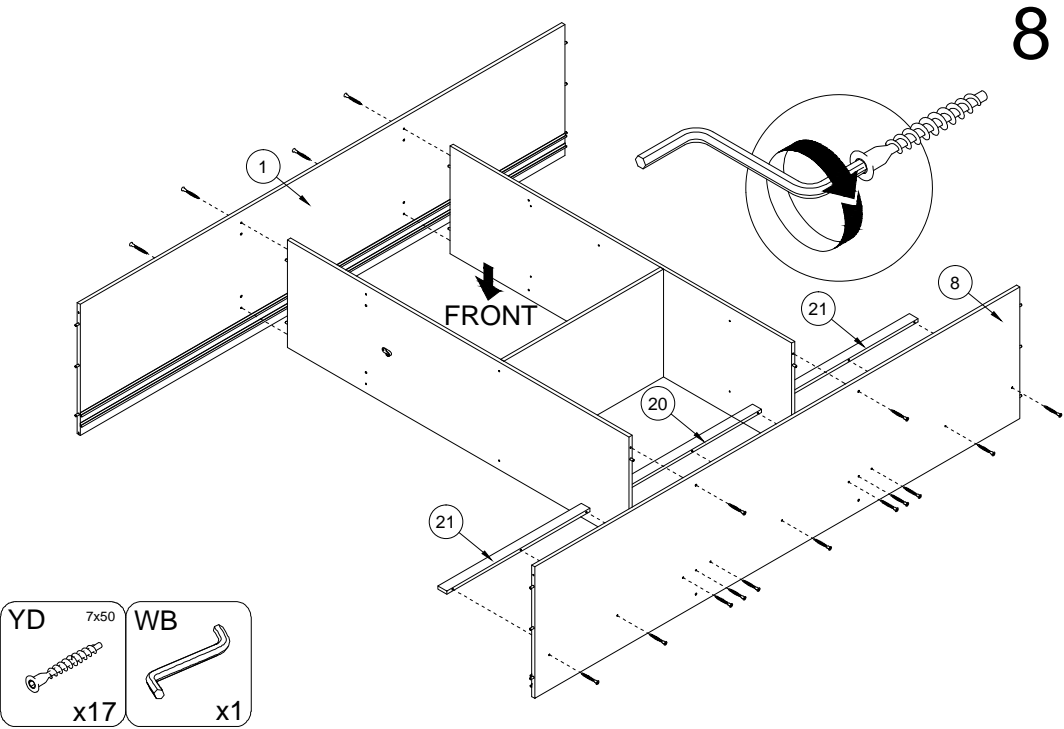
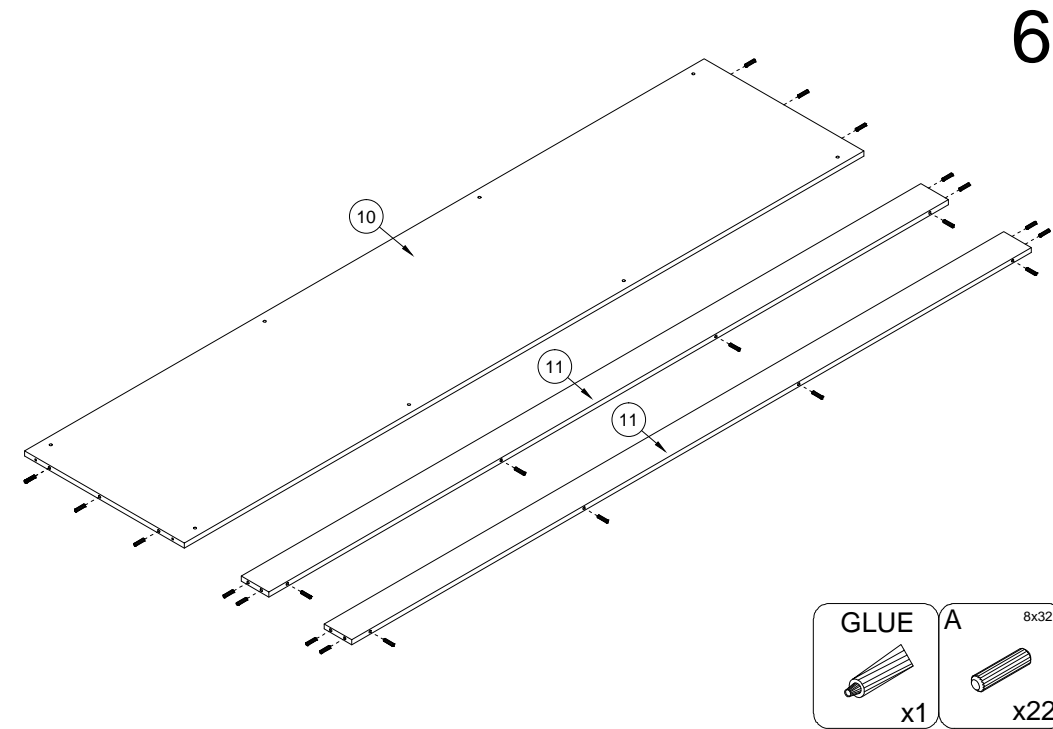
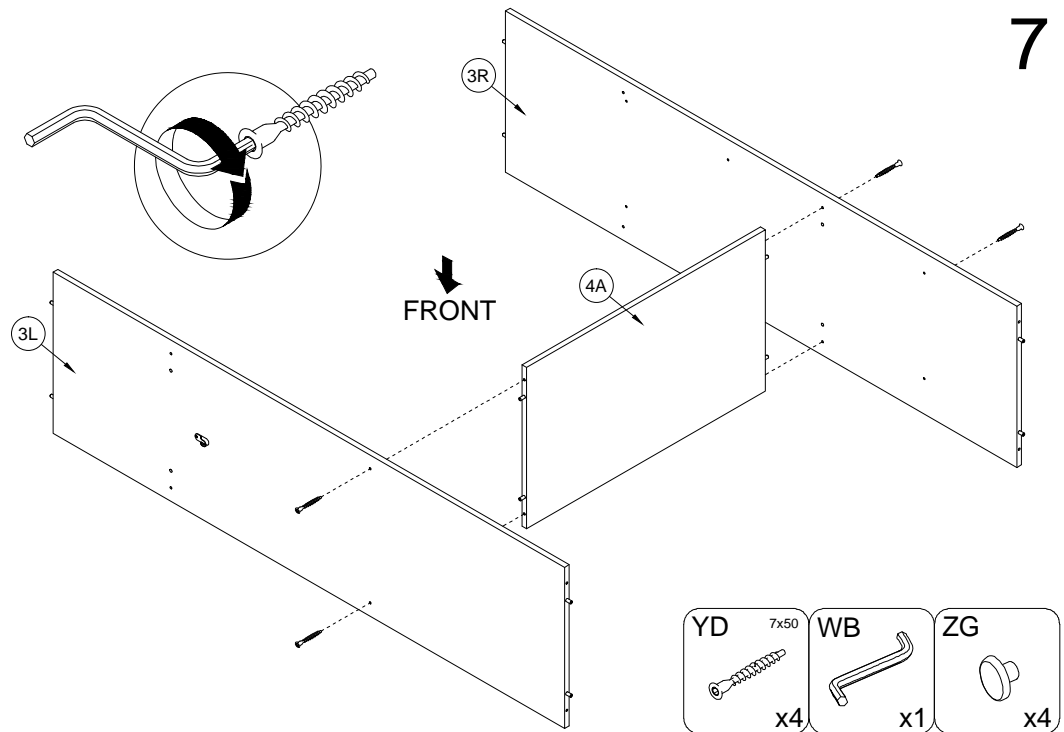
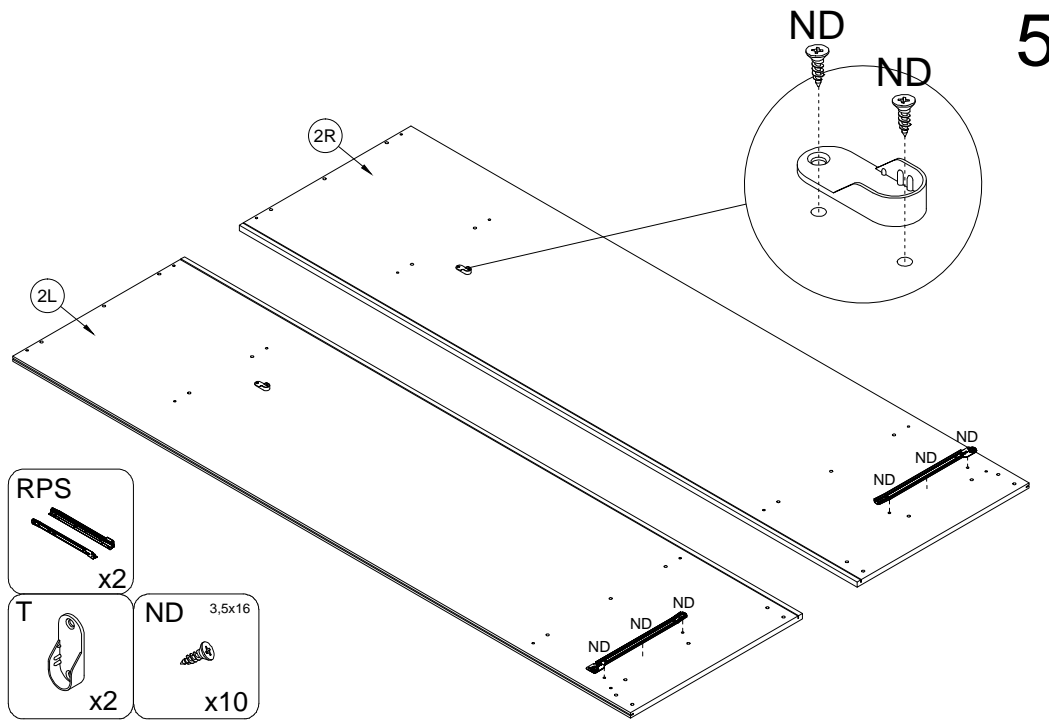
250

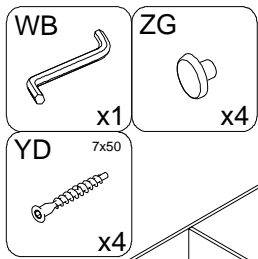


						W6 L-807mm x2	LM x19
DB L-1715mm x4	H 6,3x13 x24	DA x6	D x6	B x12	C x12	Z x6	SZP x3
A 8x32 x94	RPS x3	V 3x13 x24	GLUE x2	SP x12	S L-2008mm x3	N 3x20 x120	SEV x4
T x4	ND 3,5x16 x76	ZB x12	PR x4	YD 7x50 x41	WB x1	ZG x24	X x10

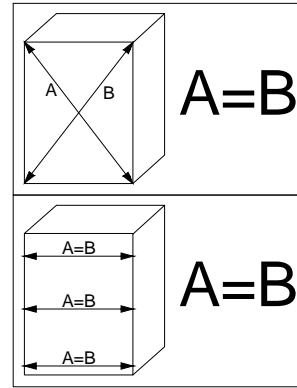
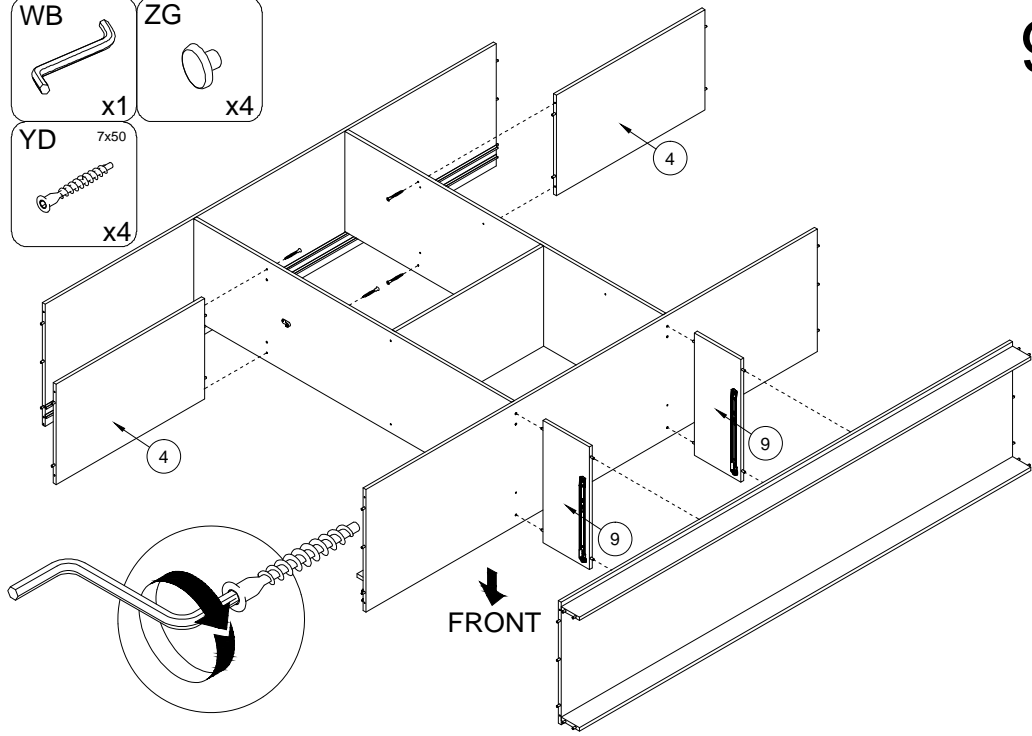




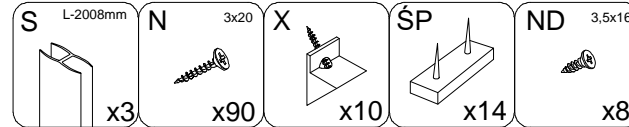
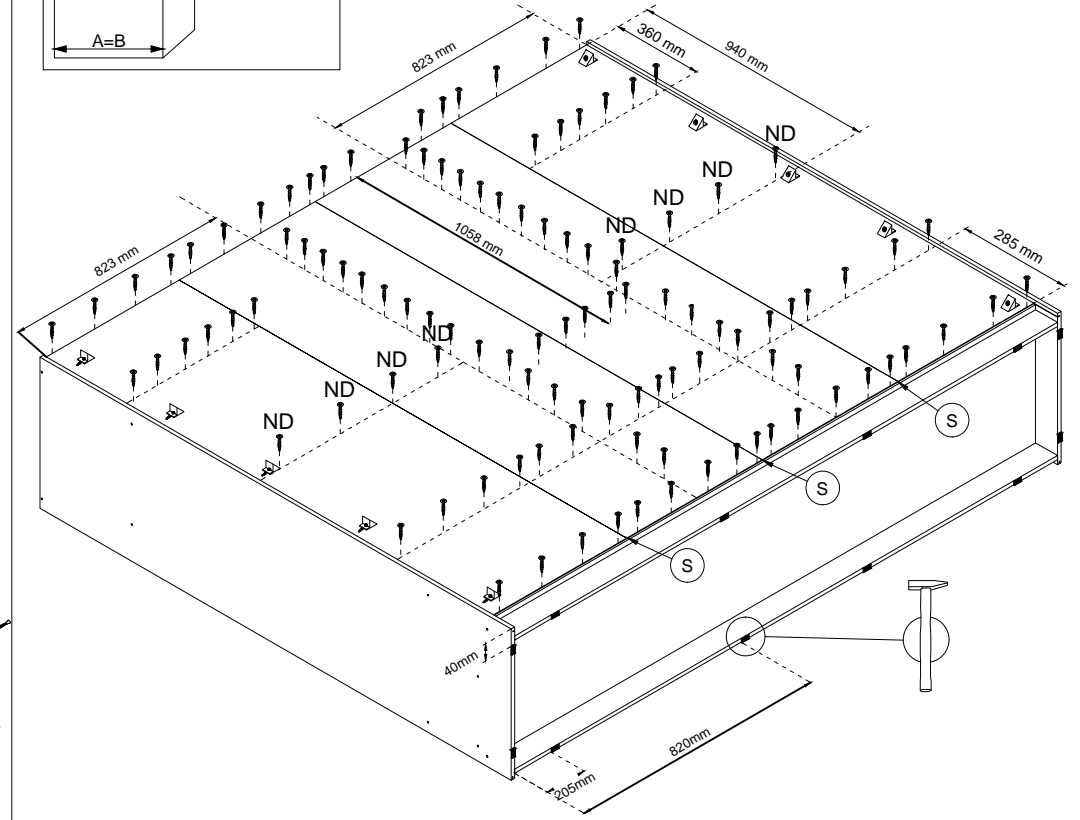
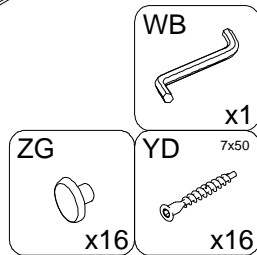
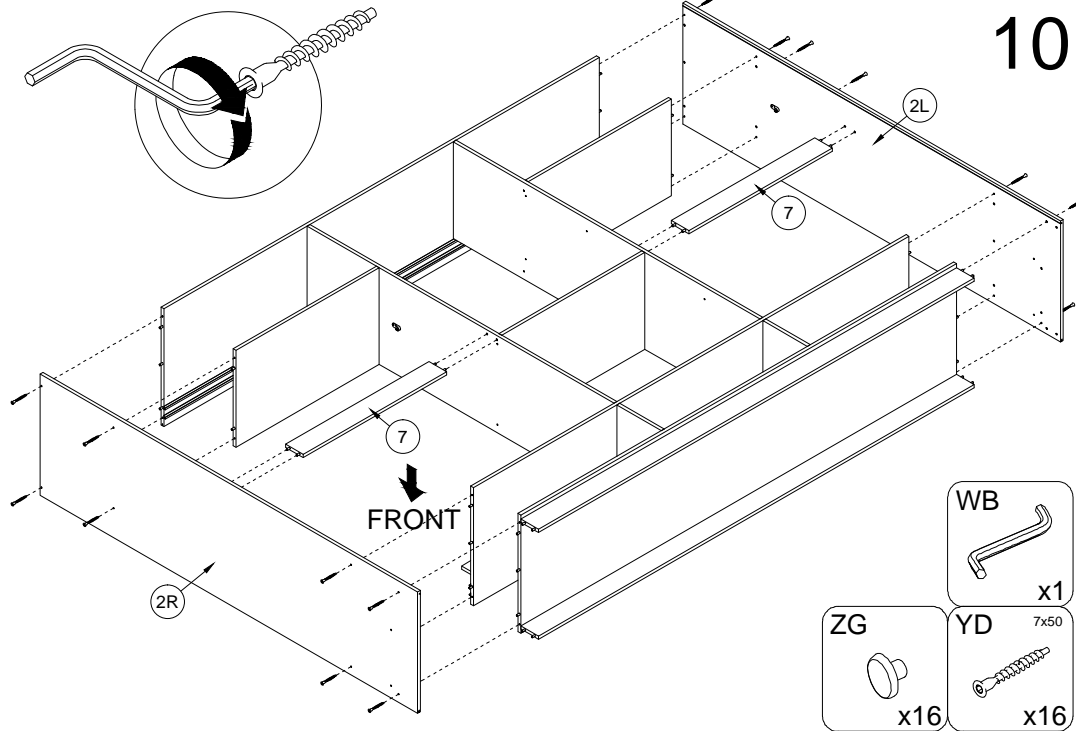


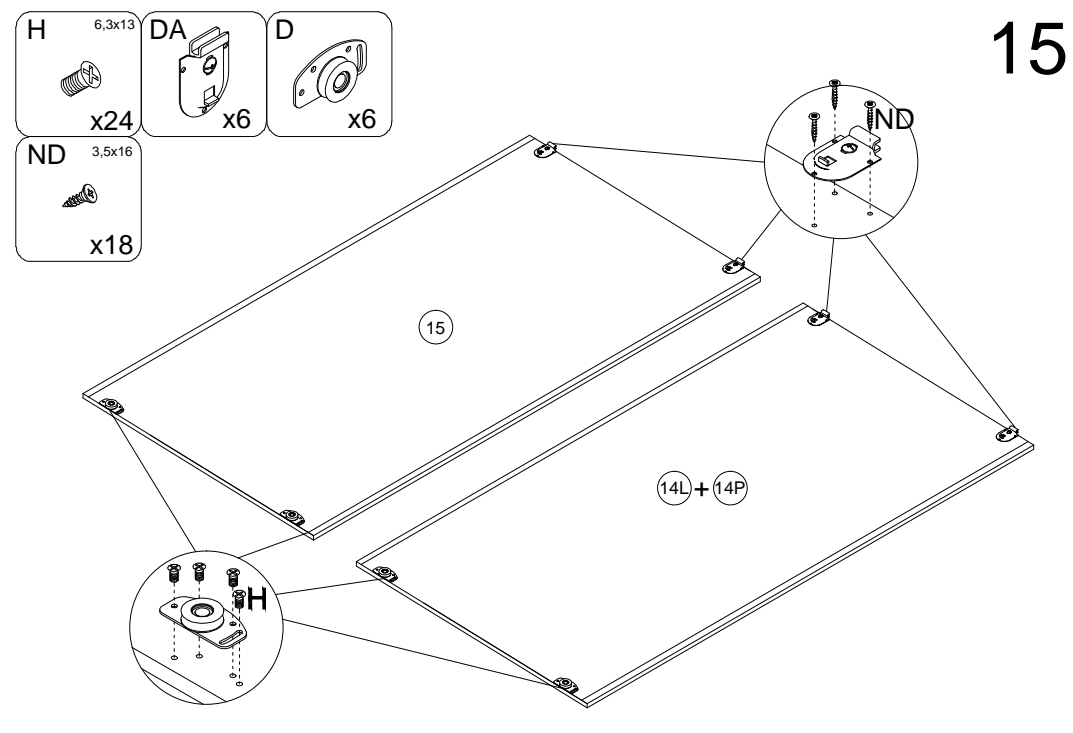
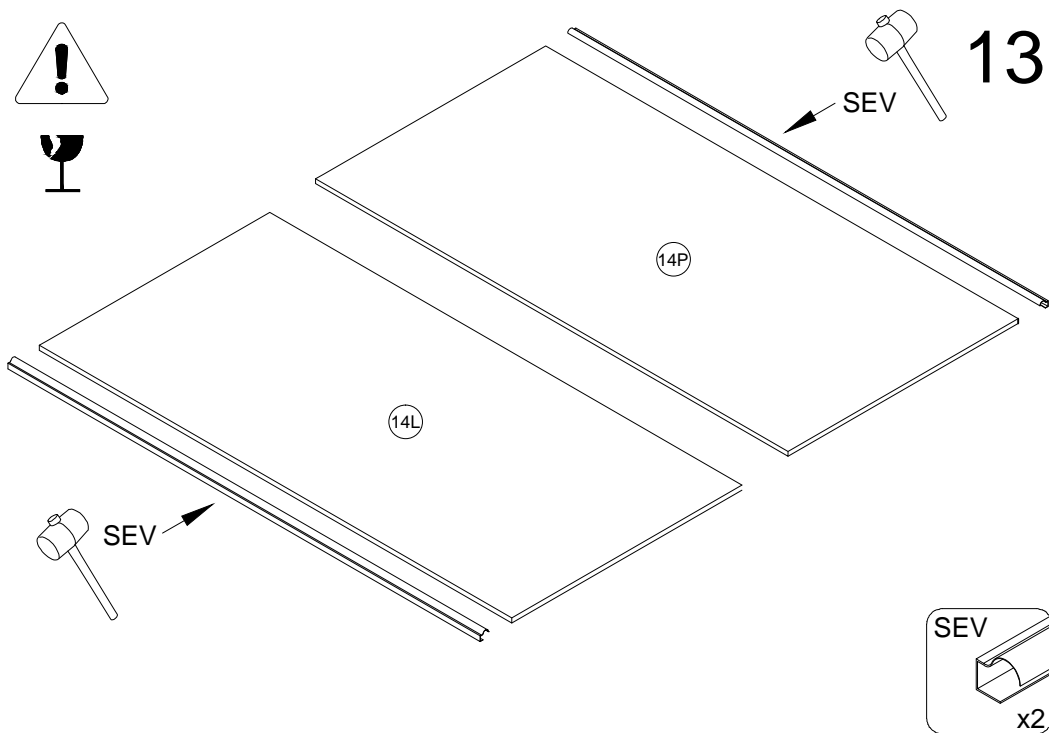
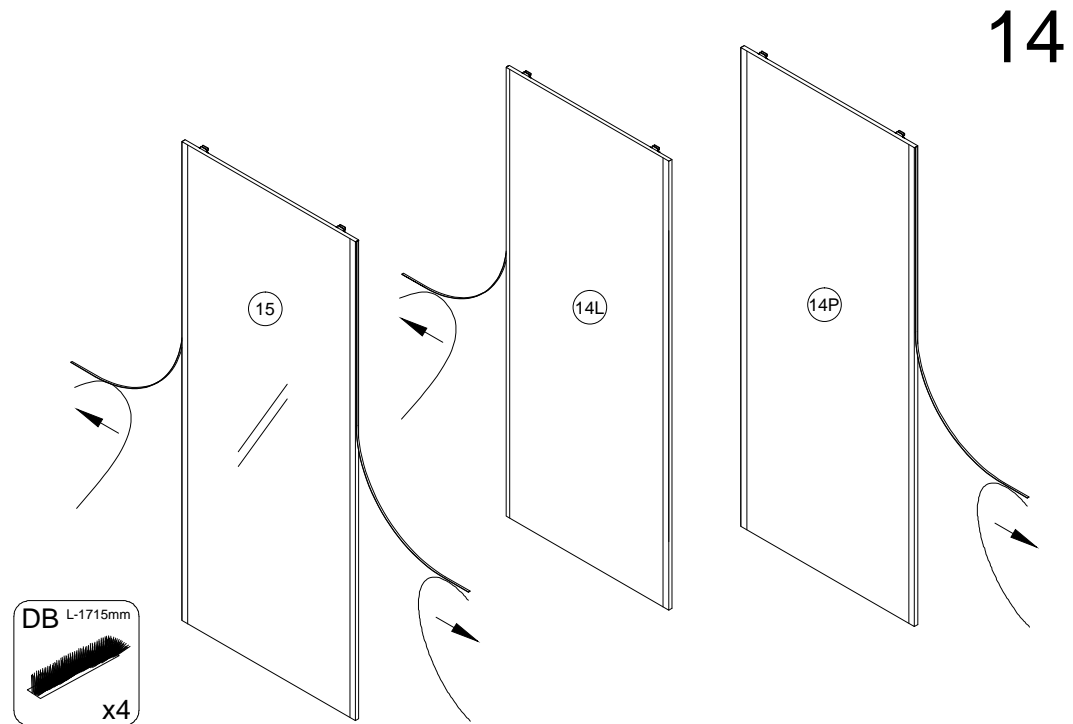
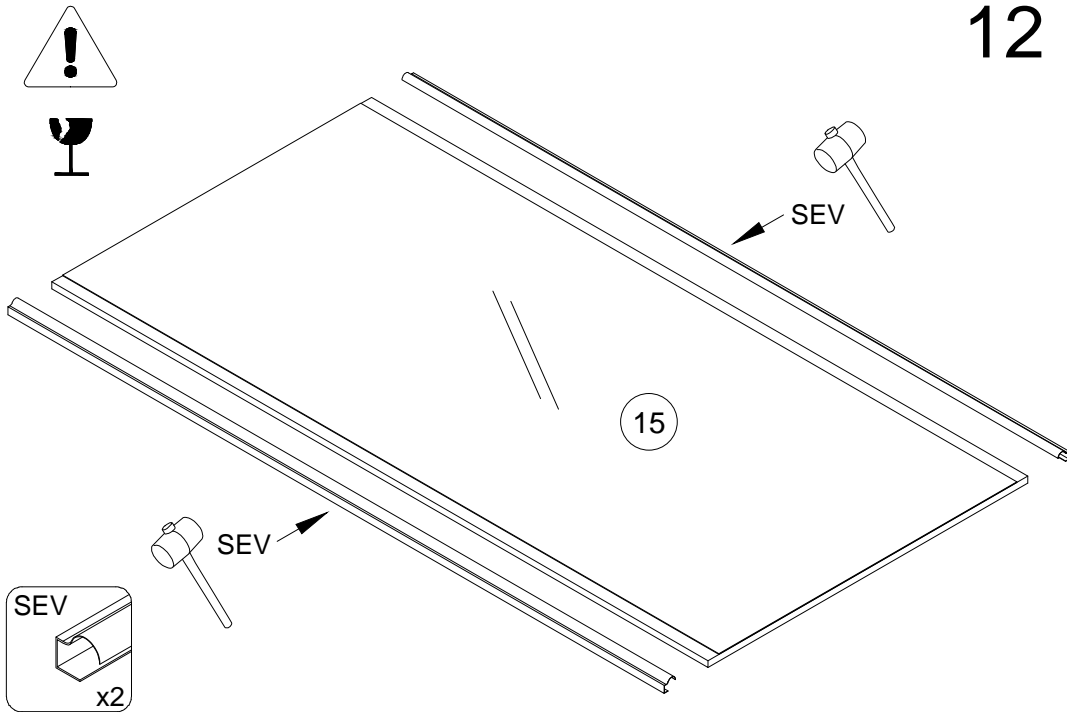


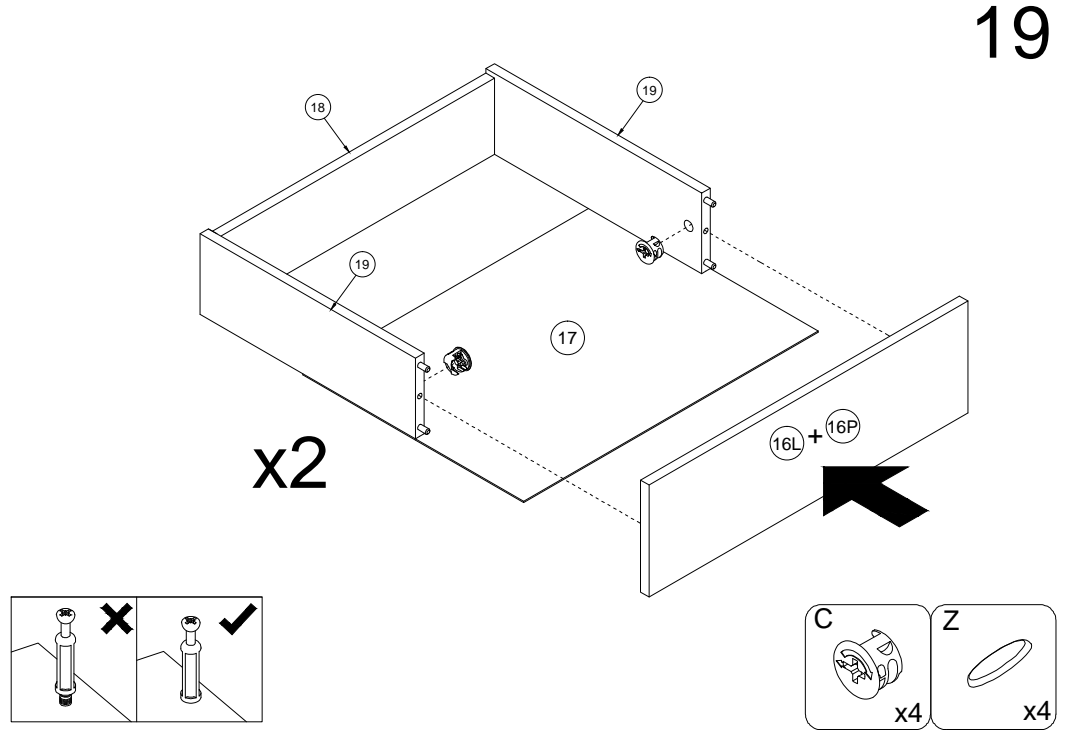
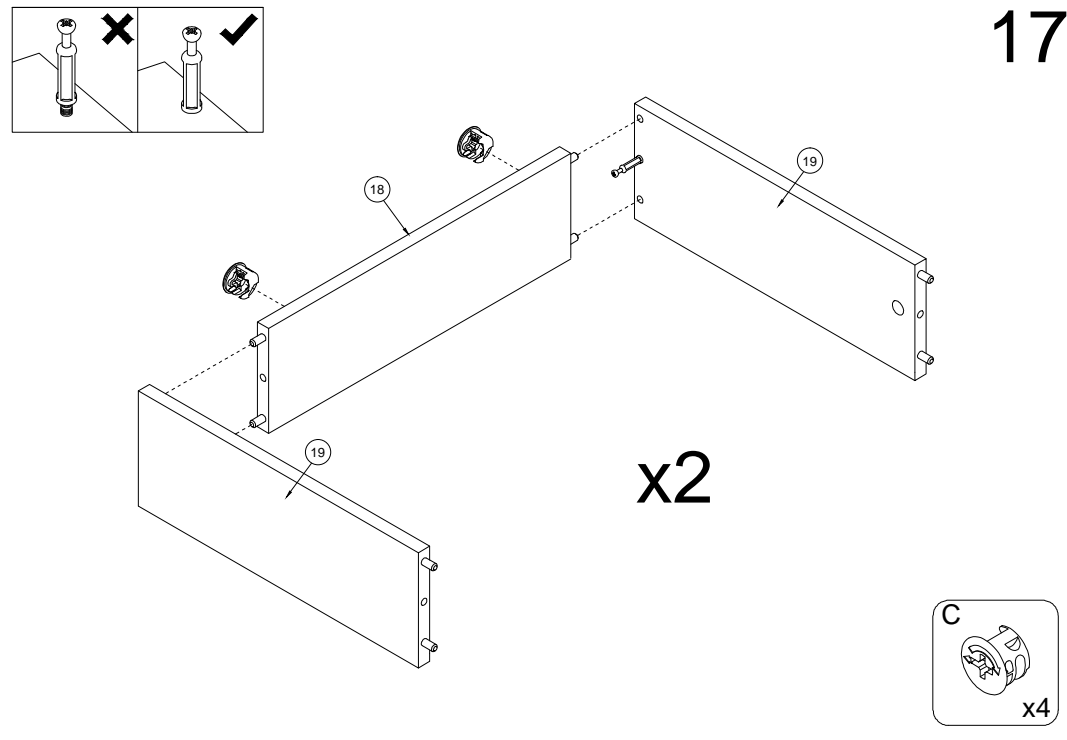
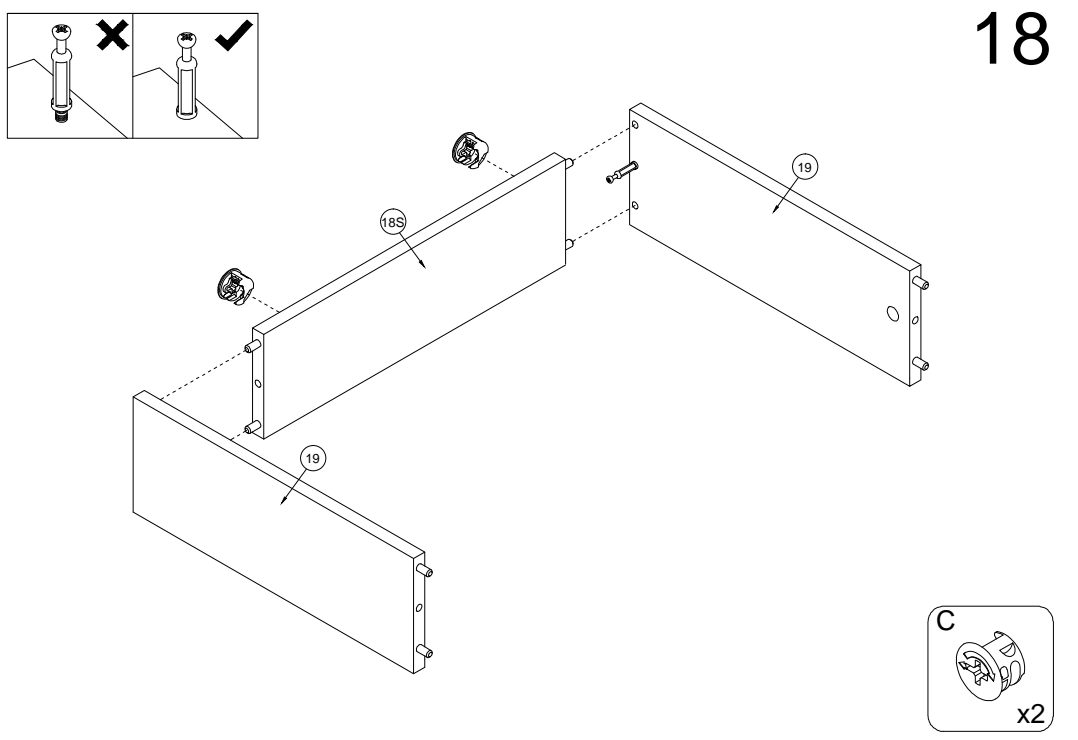
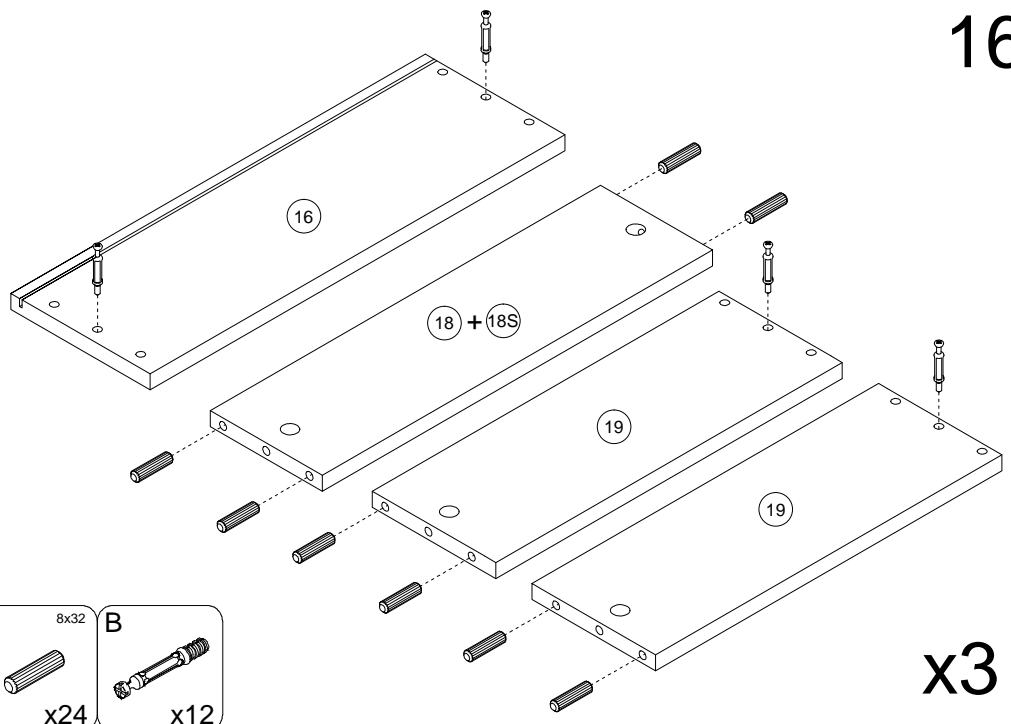
9



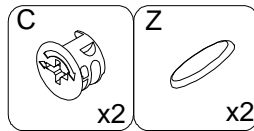
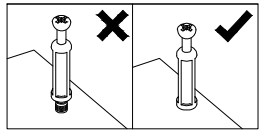
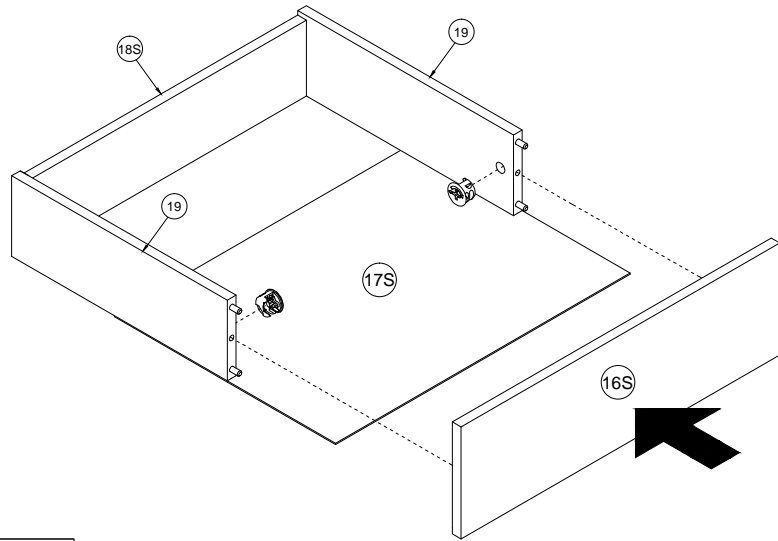
10



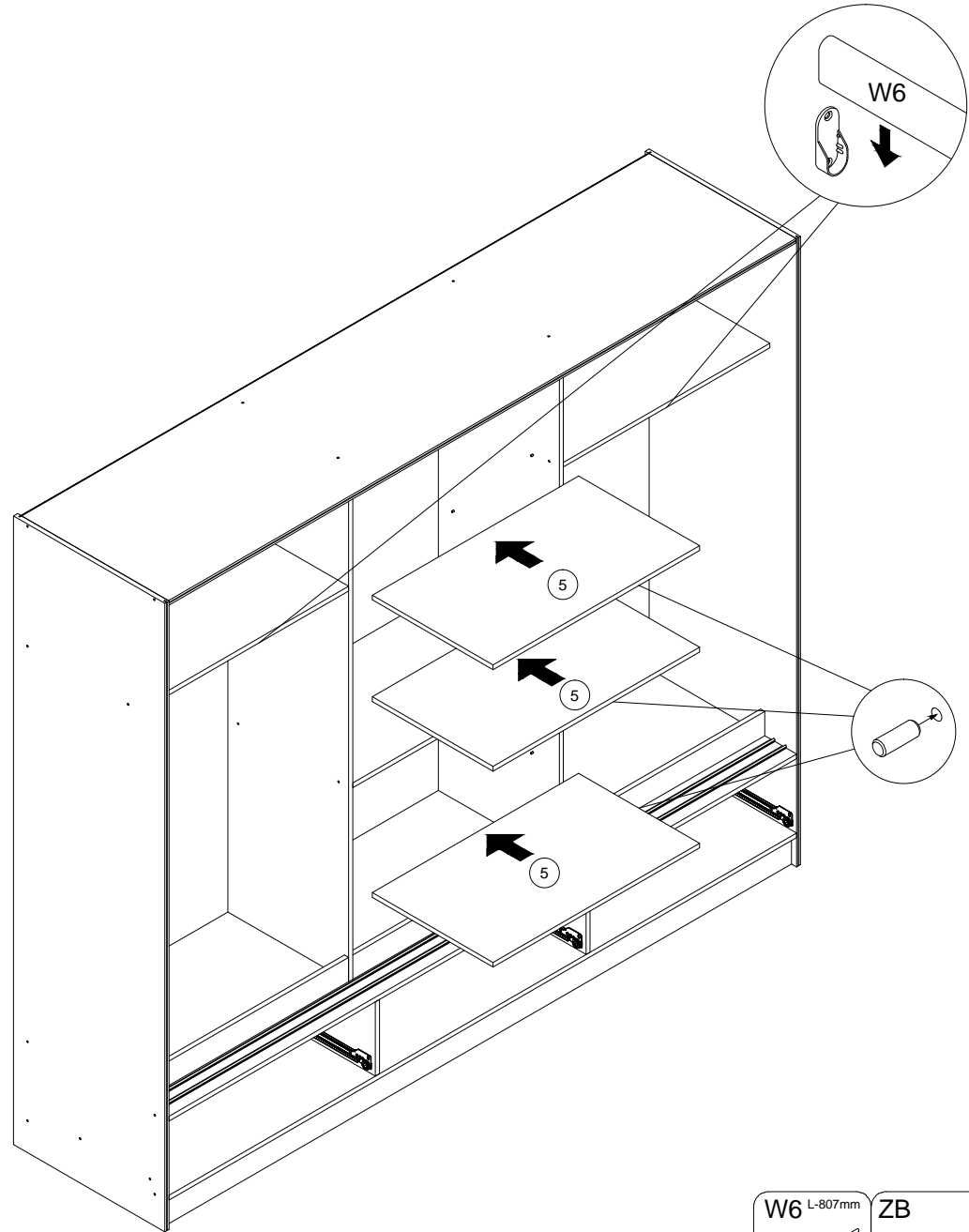




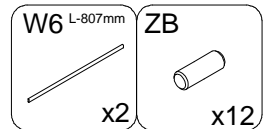
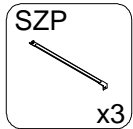
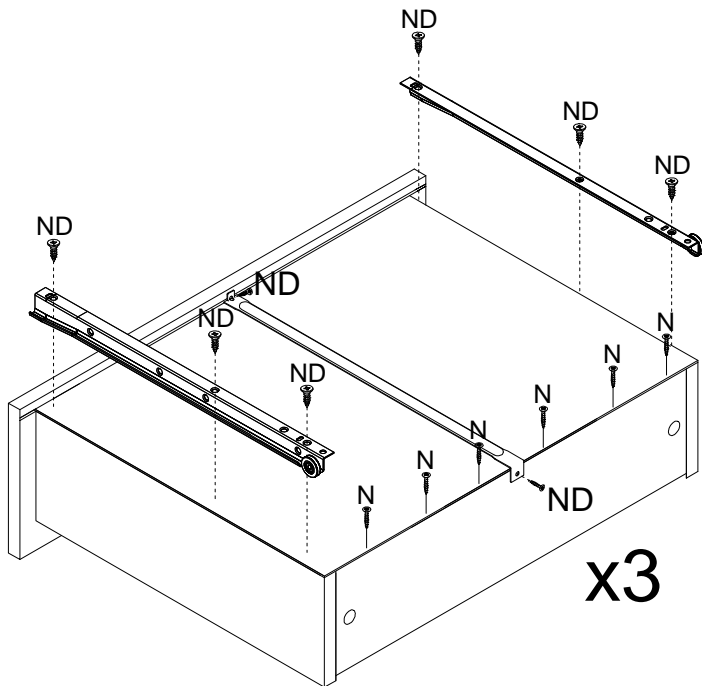
20



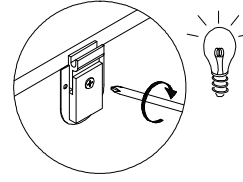
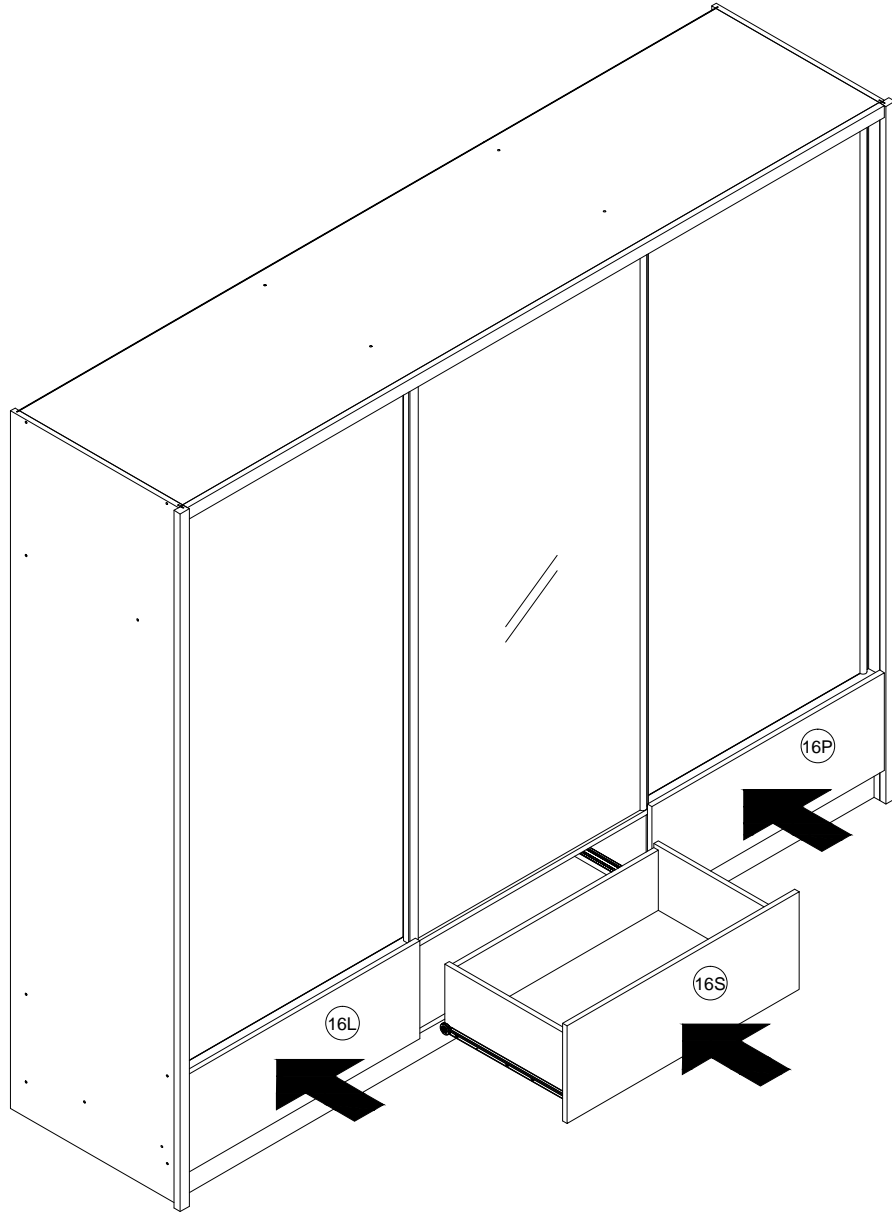
22



21



23



24

