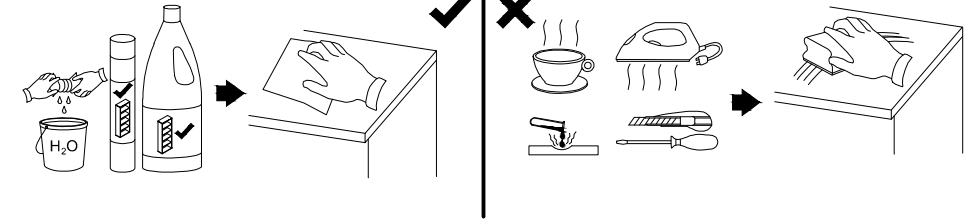
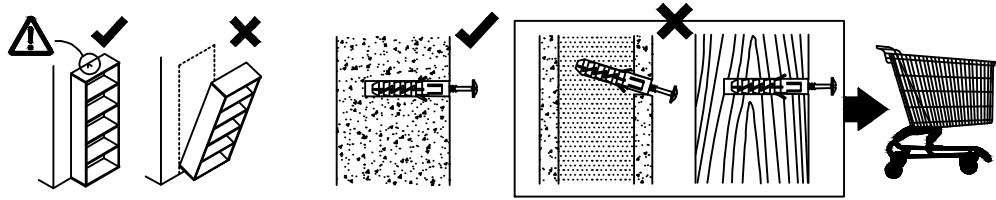
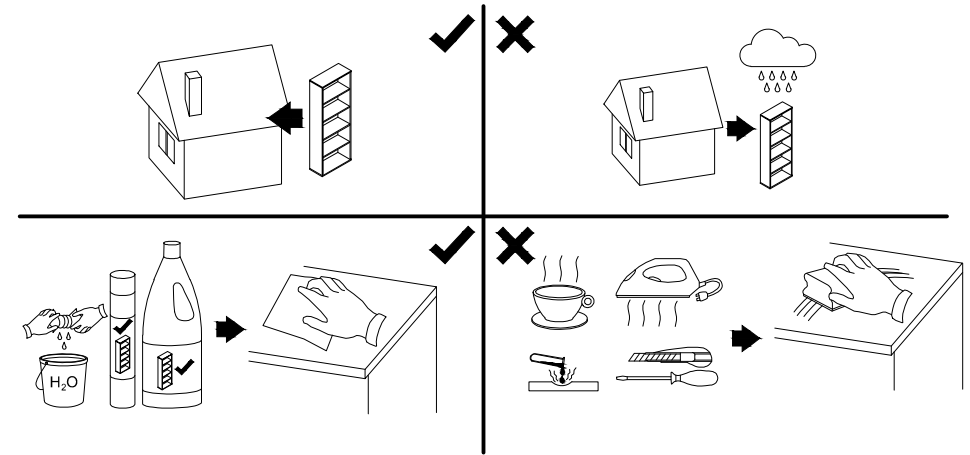
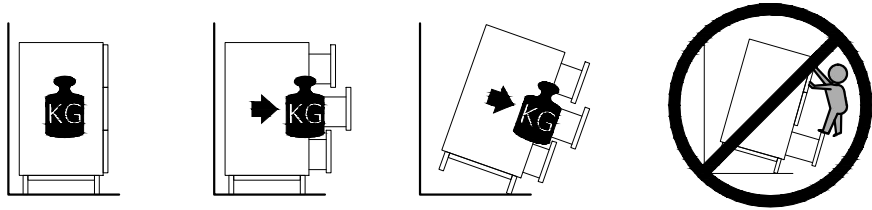
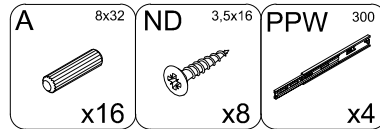
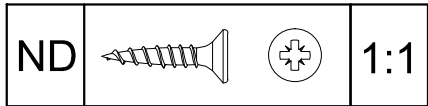
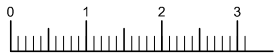
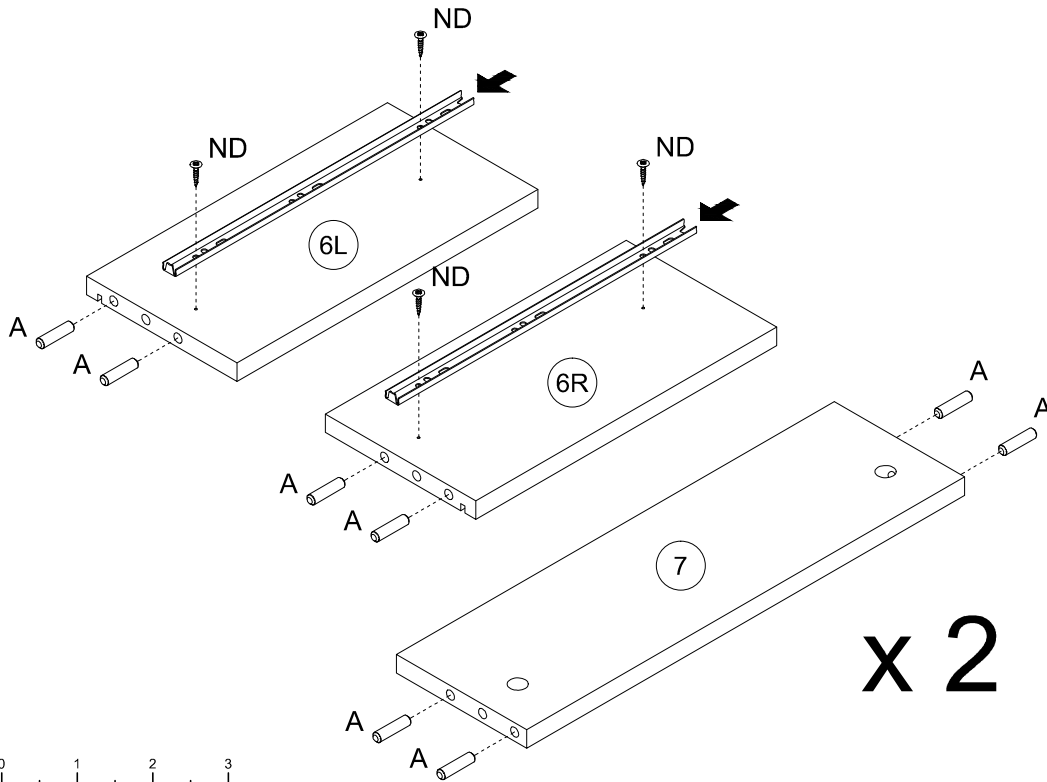
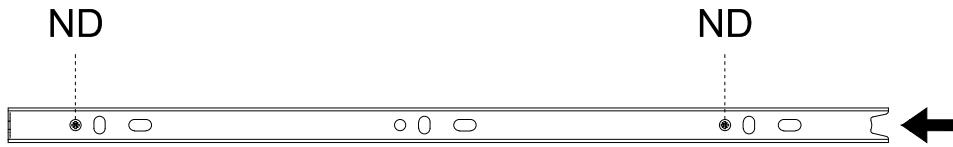
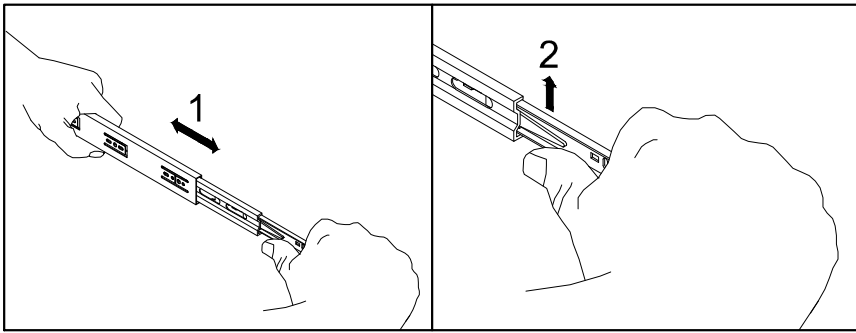


A	8x32	B	
	x28		x26
C		KG	
	x26		x2
NS	3.5x13	NF	4.5x16
	x4		x16
N	3x20	PPW	300mm
	x10		x4
ND	3.5x16	Z	
	x16		x10

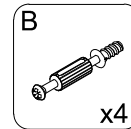
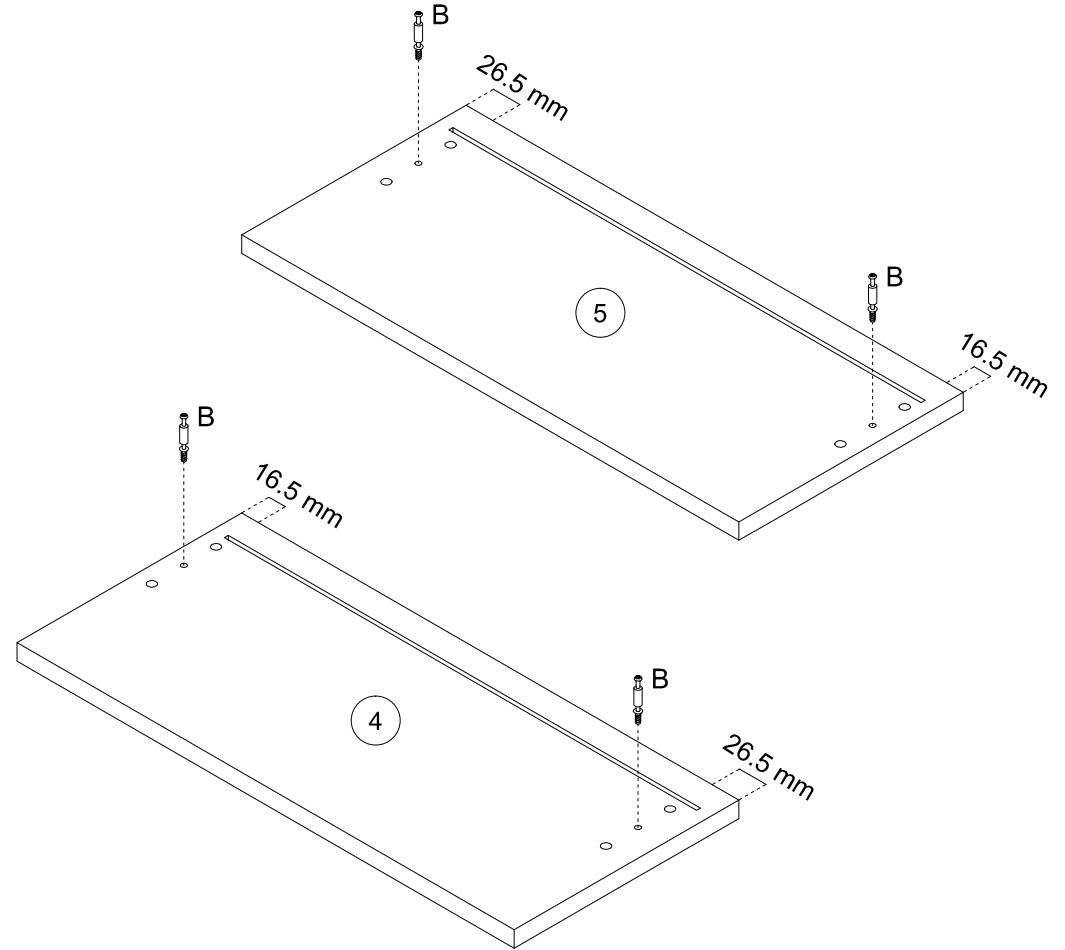
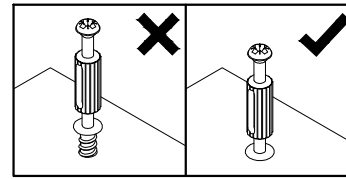
1	1035	680	16	x2	2 / 2
2L	680	230	16	x1	2 / 2
2R	680	230	16	x1	2 / 2
3	612	230	16	x1	2 / 2
4	496	224	16	x1	2 / 2
5	496	224	16	x1	2 / 2
6L	300	150	16	x2	2 / 2
6R	300	150	16	x2	2 / 2
7	437	130	16	x2	2 / 2
8	449	306	3	x2	2 / 2



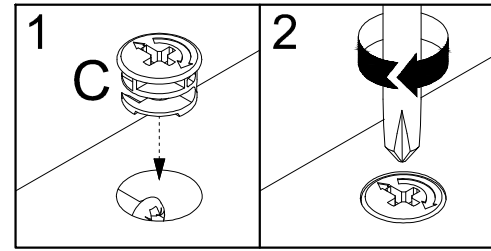
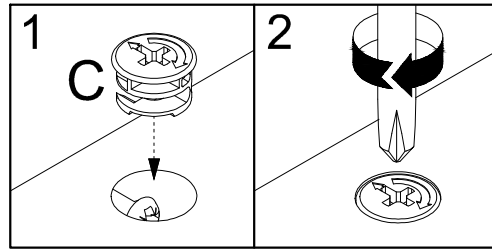
1



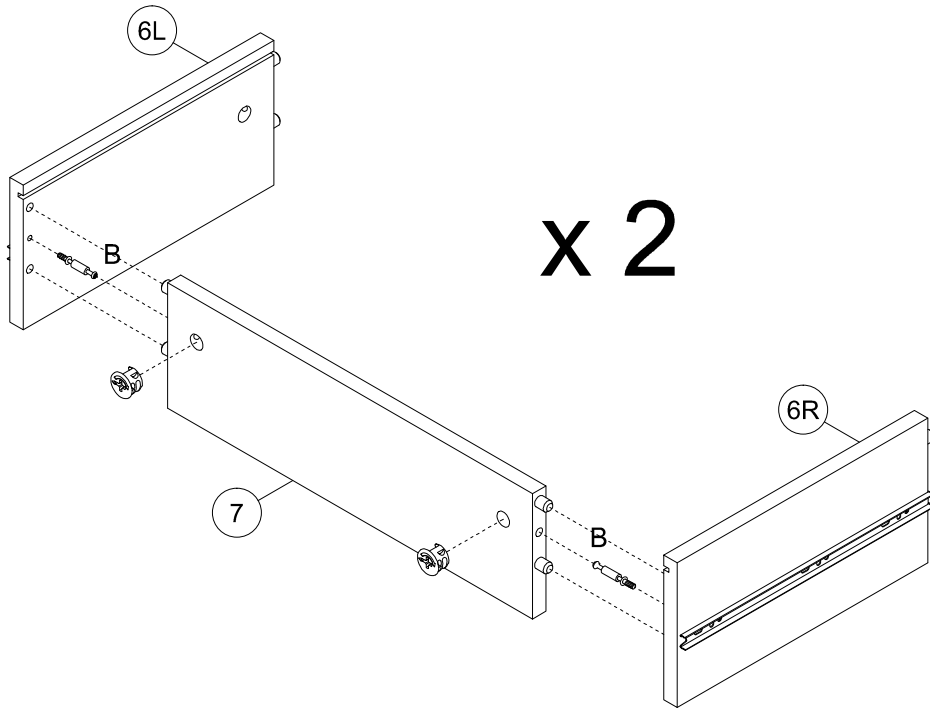
2



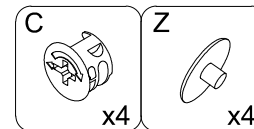
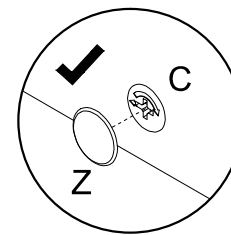
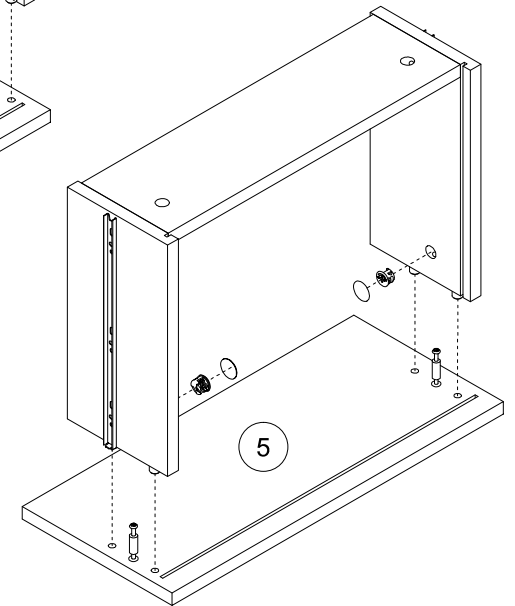
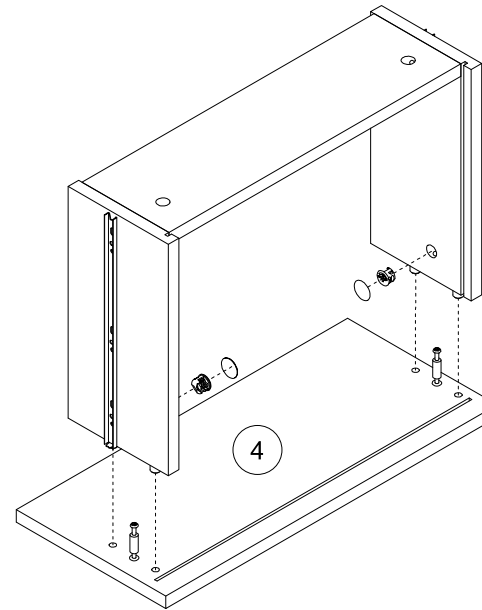
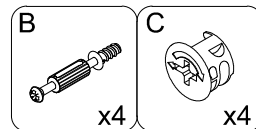
3



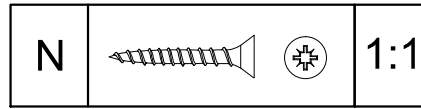
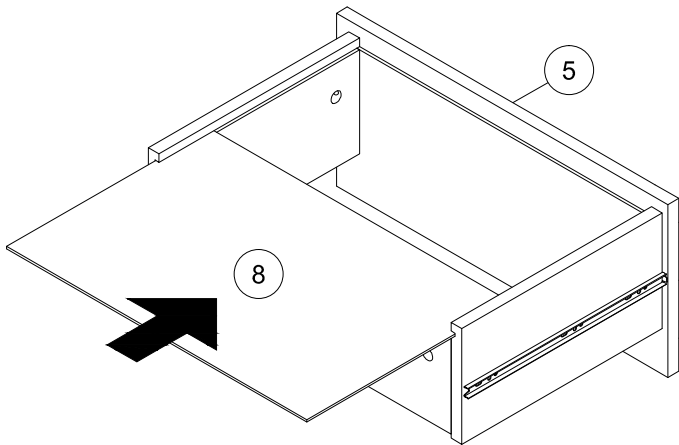
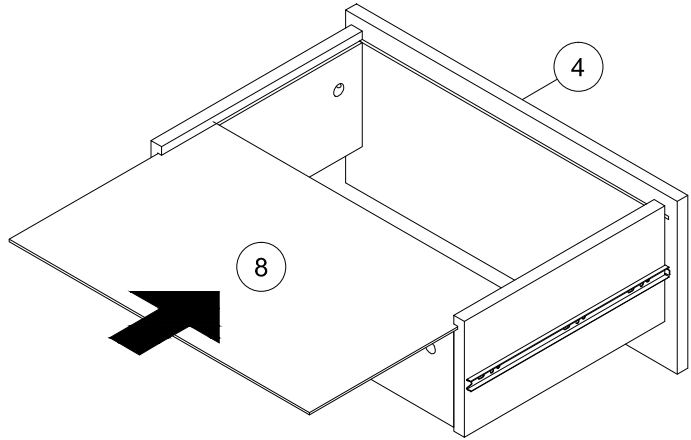
4



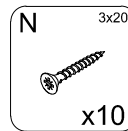
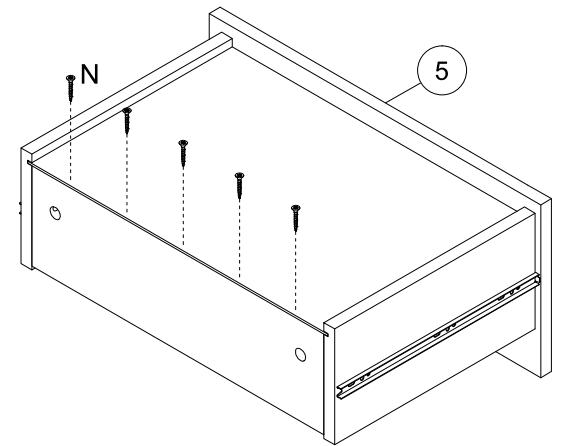
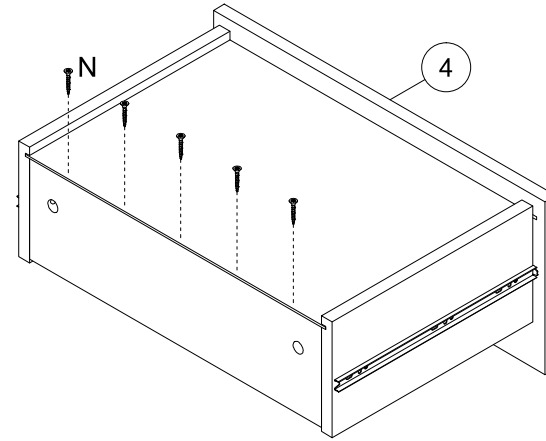
x 2

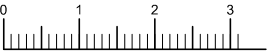
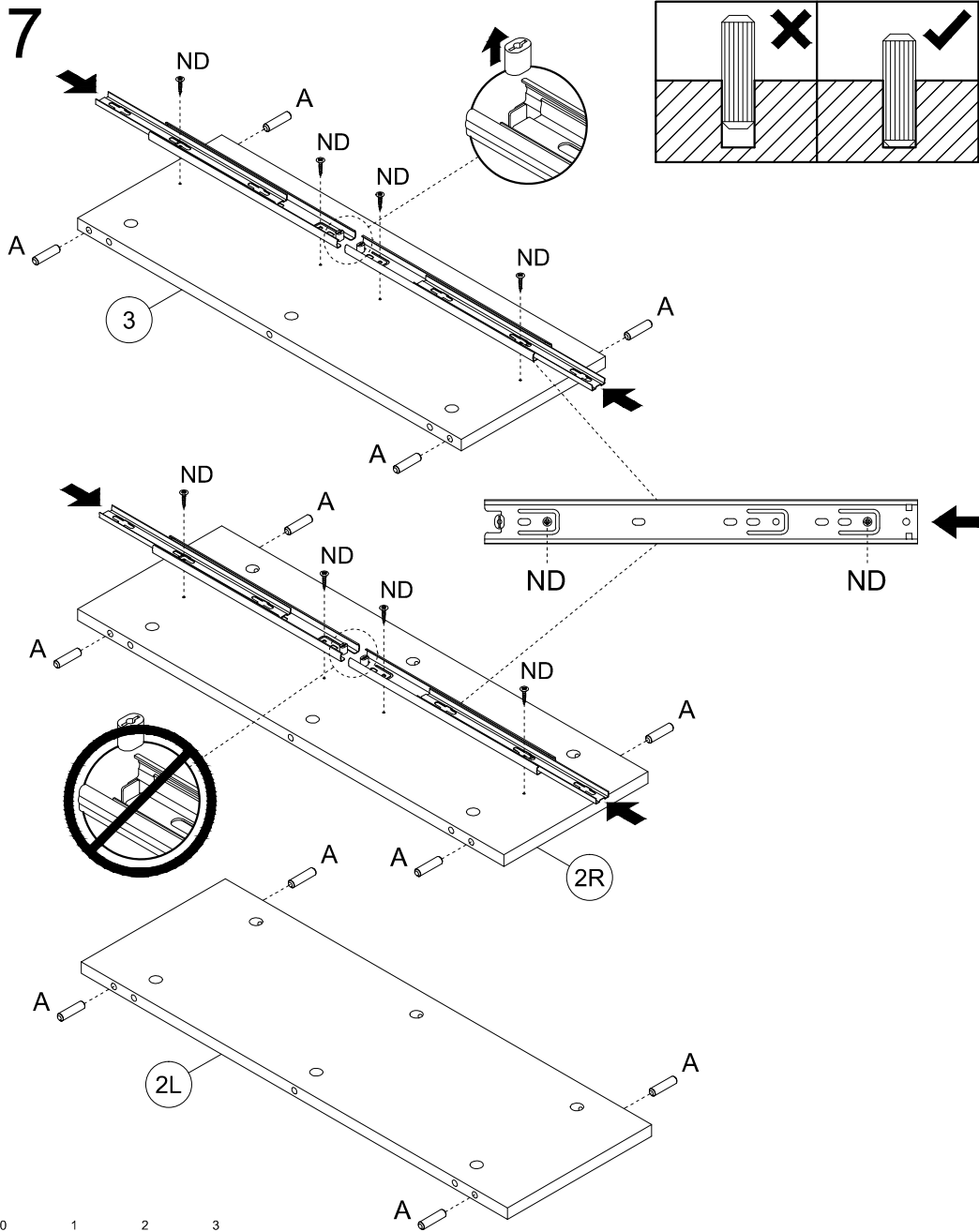


5



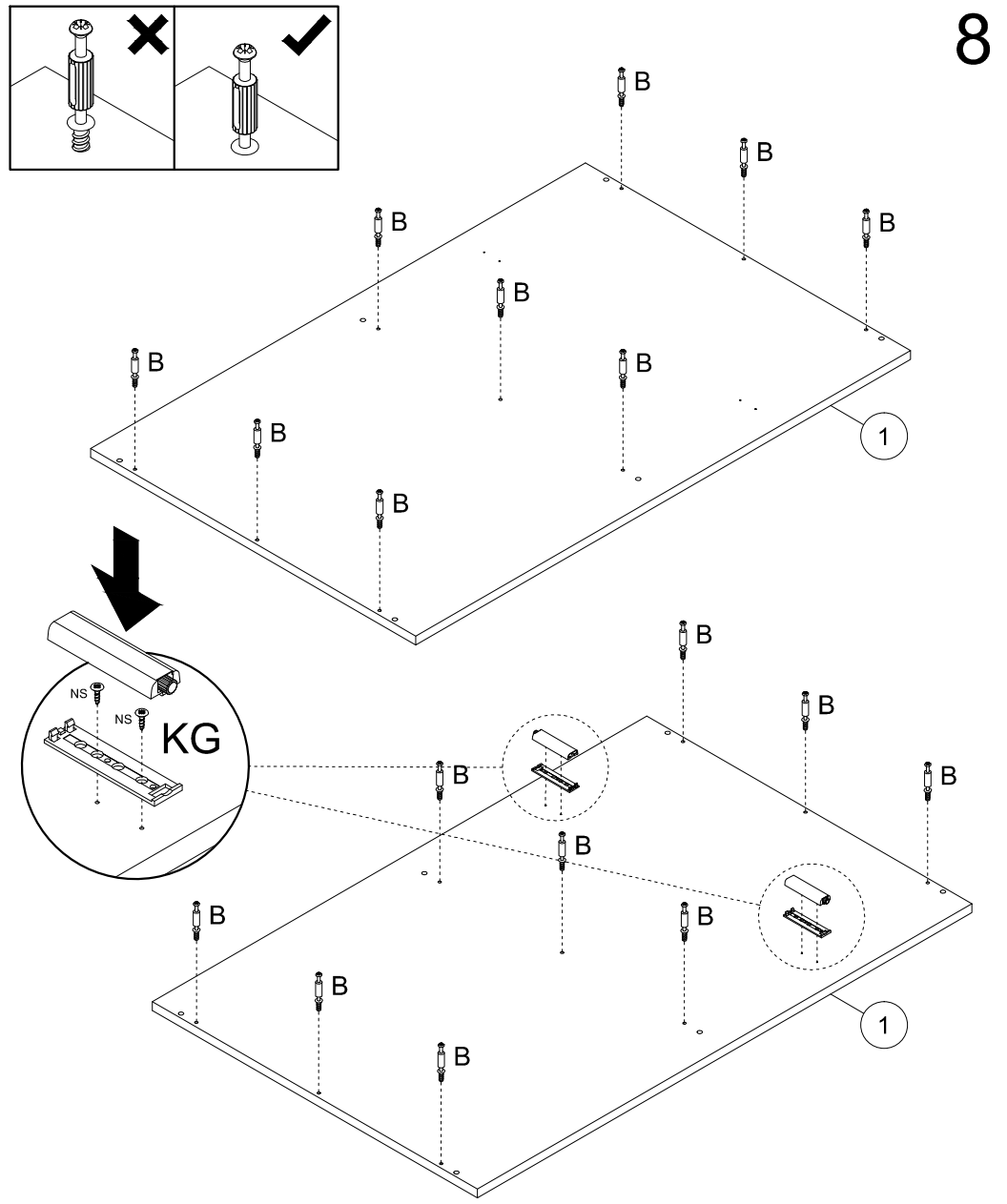
6



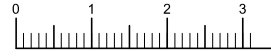


ND			1:1
----	--	--	-----

A	8x32	ND	3,5x16	PPW	300
	x12		x8		x4

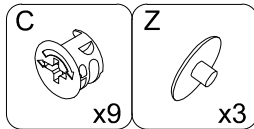
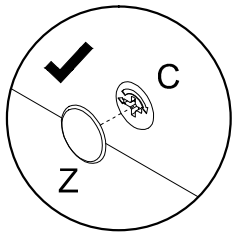
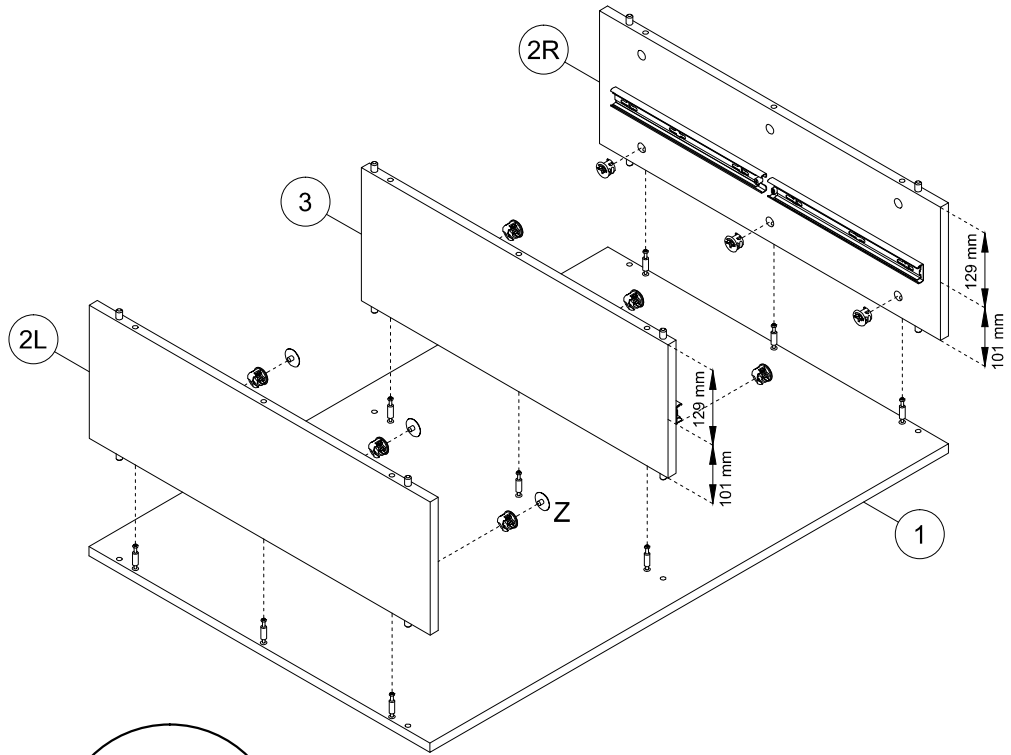
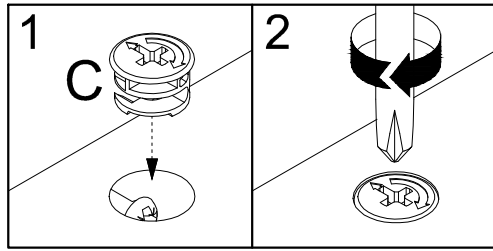


B	KG	NS	3,5x13
			x4
x18	x2		

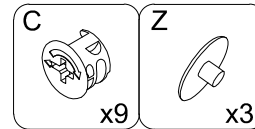
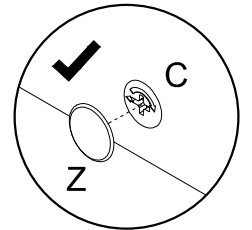
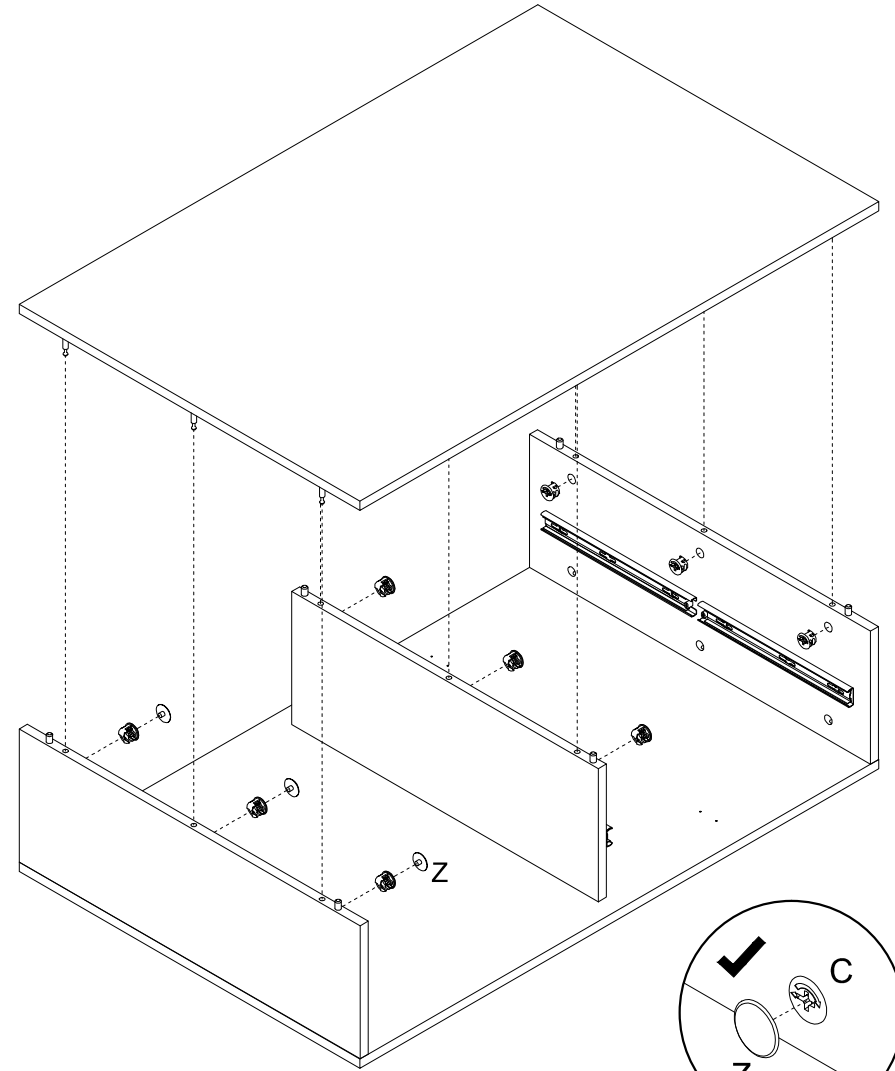
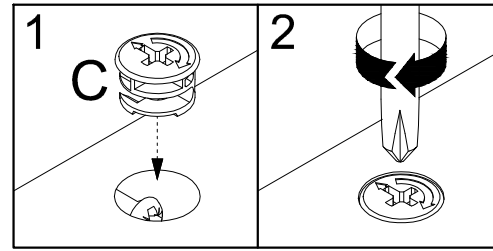


NS			1:1
----	--	--	-----

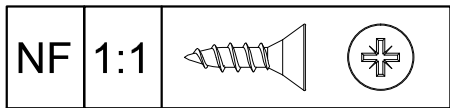
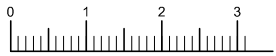
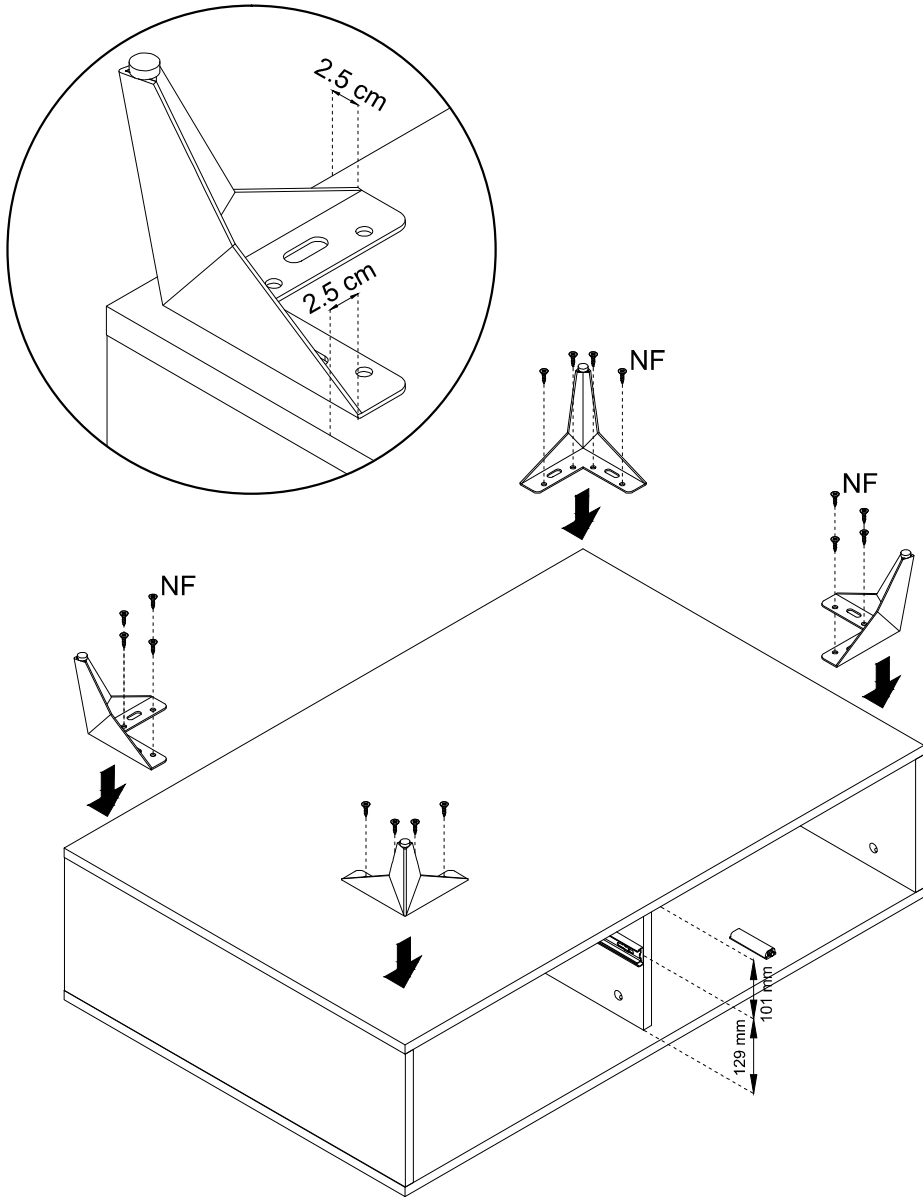
9



10



11



12

