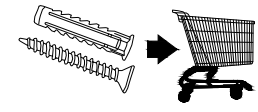
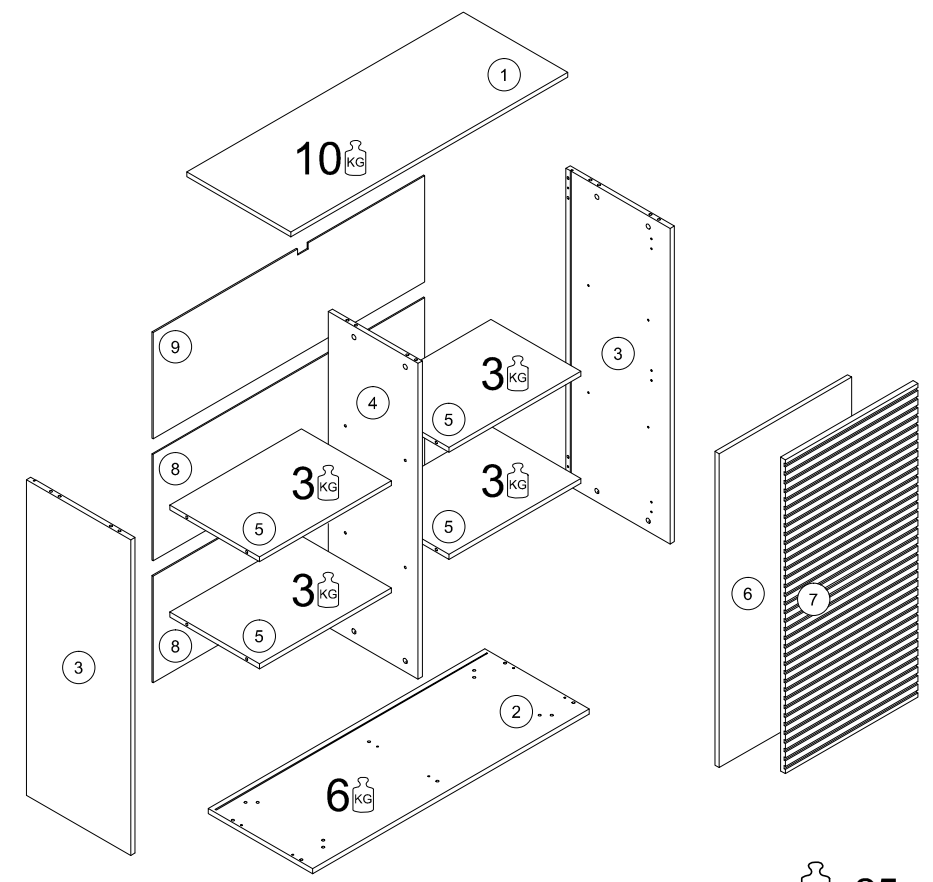
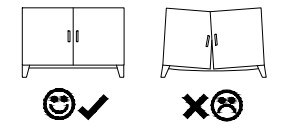


1,5H

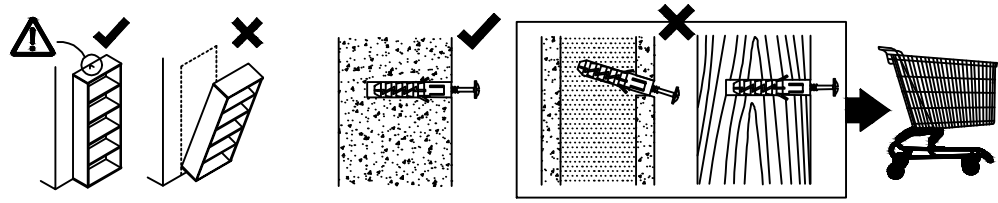
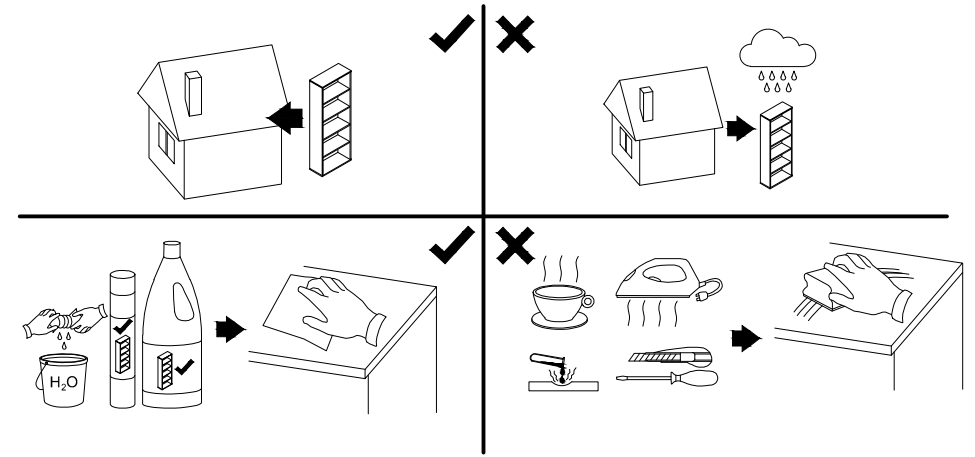
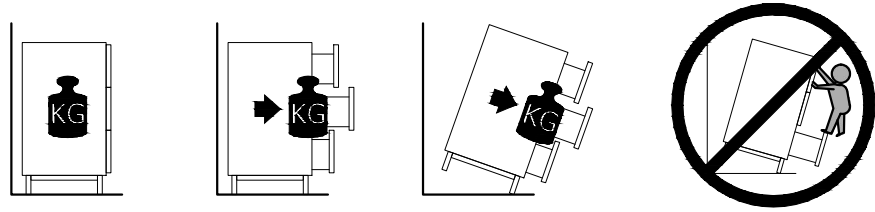


KG = 25 kg.

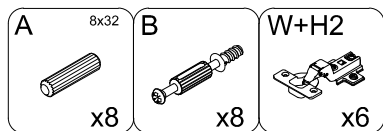
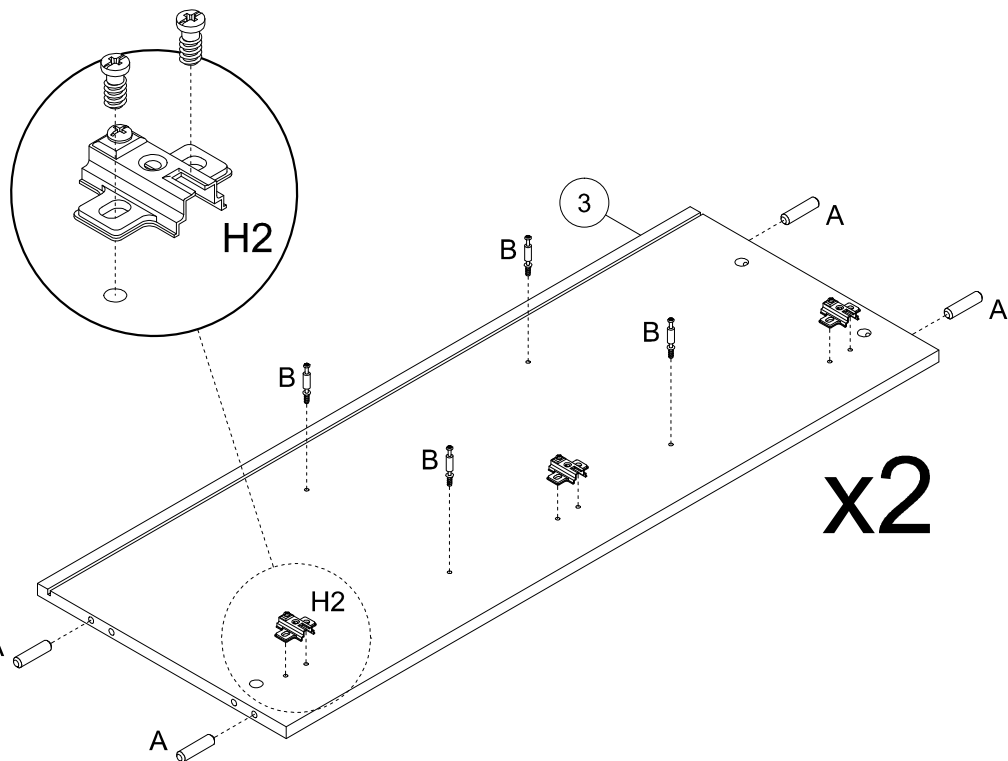
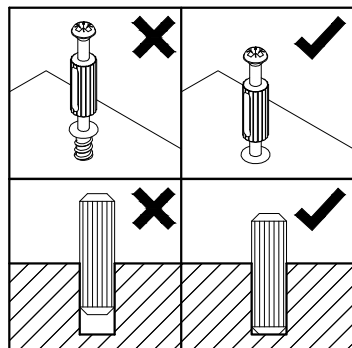
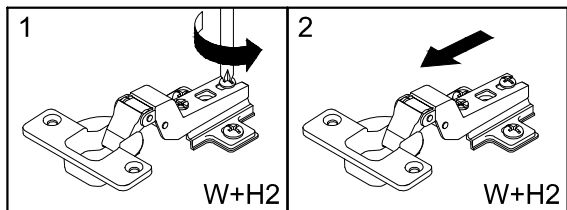


A	8x32	B	B1	C	
	x12				
HD	6x30	KG	N	NGD	NS
	x8				
TA	W+H2	X	ZC	Z	
x1	x6	x14	x16	x12	

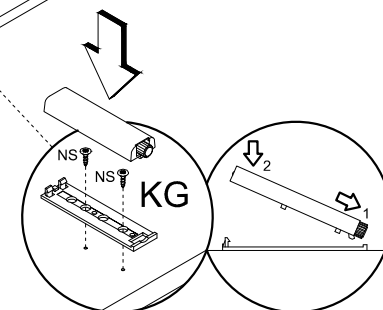
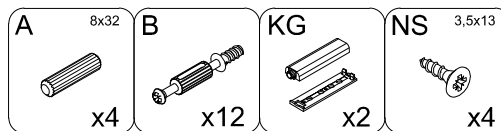
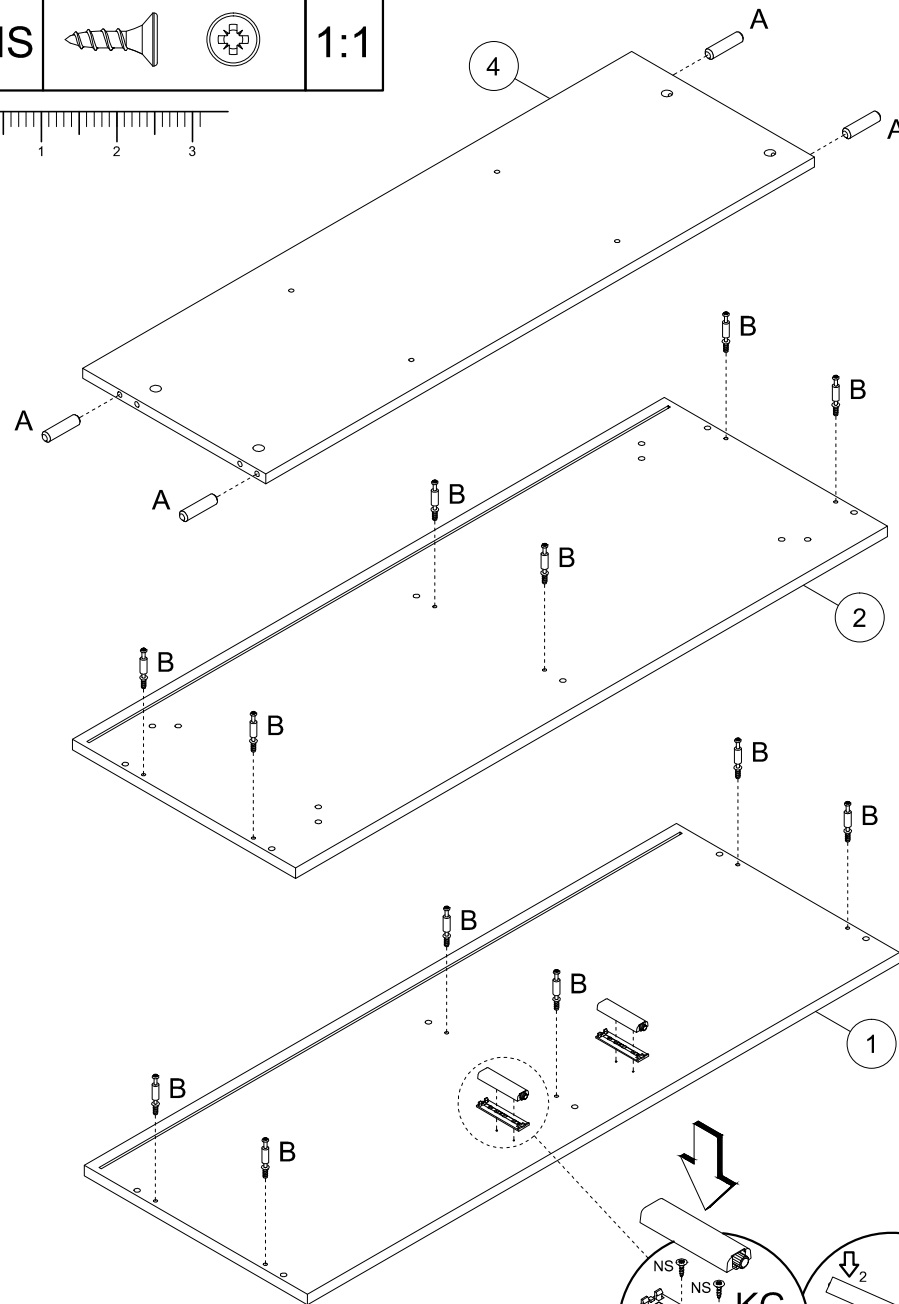
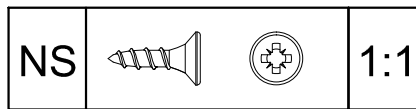
①	1035	390	16	x1	1 / 2
②	1035	390	16	x1	1 / 2
③	1023	390	16	x2	1 / 2
④	1023	341	16	x1	2 / 2
⑤	493	341	16	x4	2 / 2
⑥	1017	496	16	x1	2 / 2
⑦	1017	496	18	x1	2 / 2
⑧	1014	345	2.5	x2	1 / 2
⑨	1014	345	2.5	x1	1 / 2

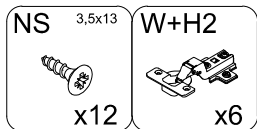
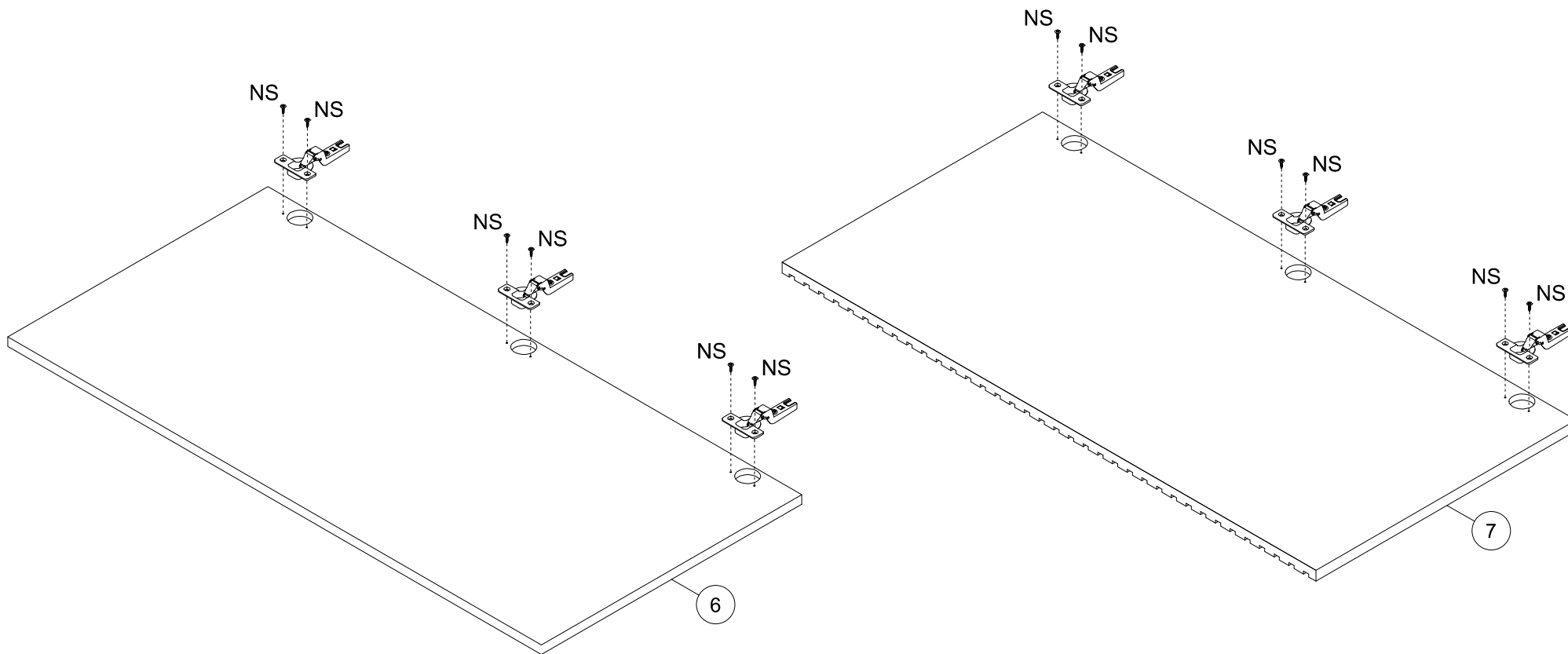
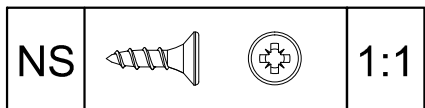
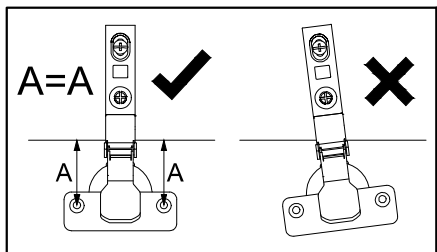


1

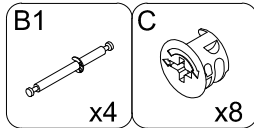
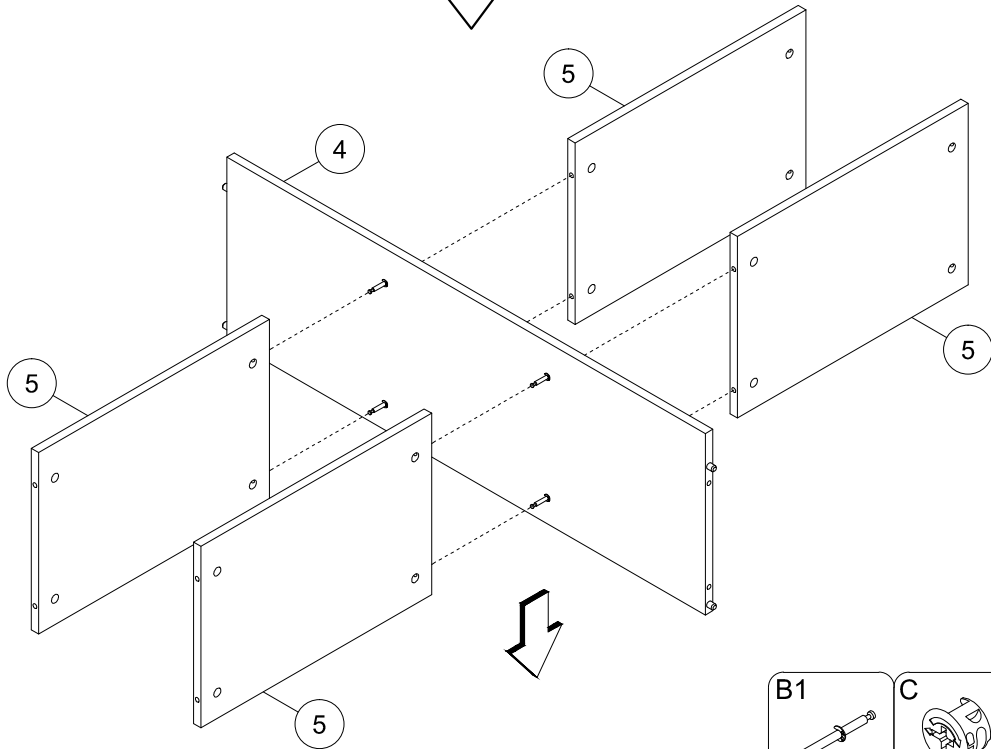
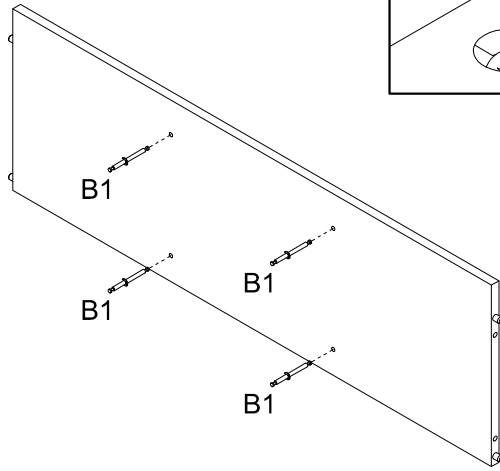
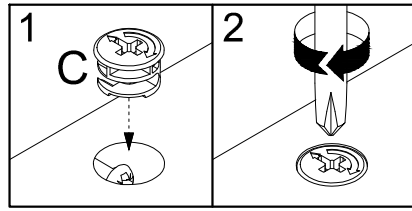


2

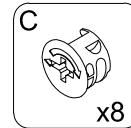
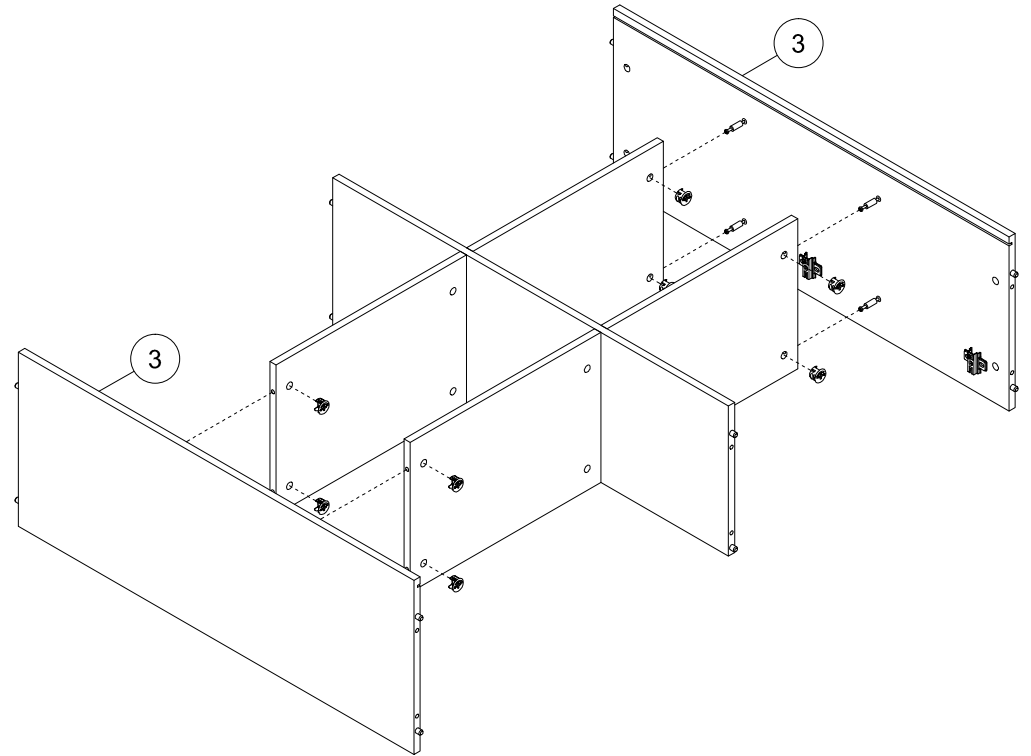
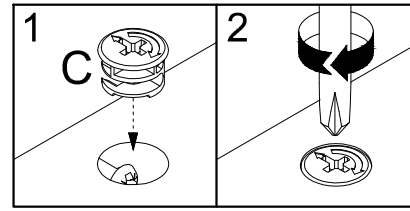




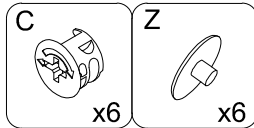
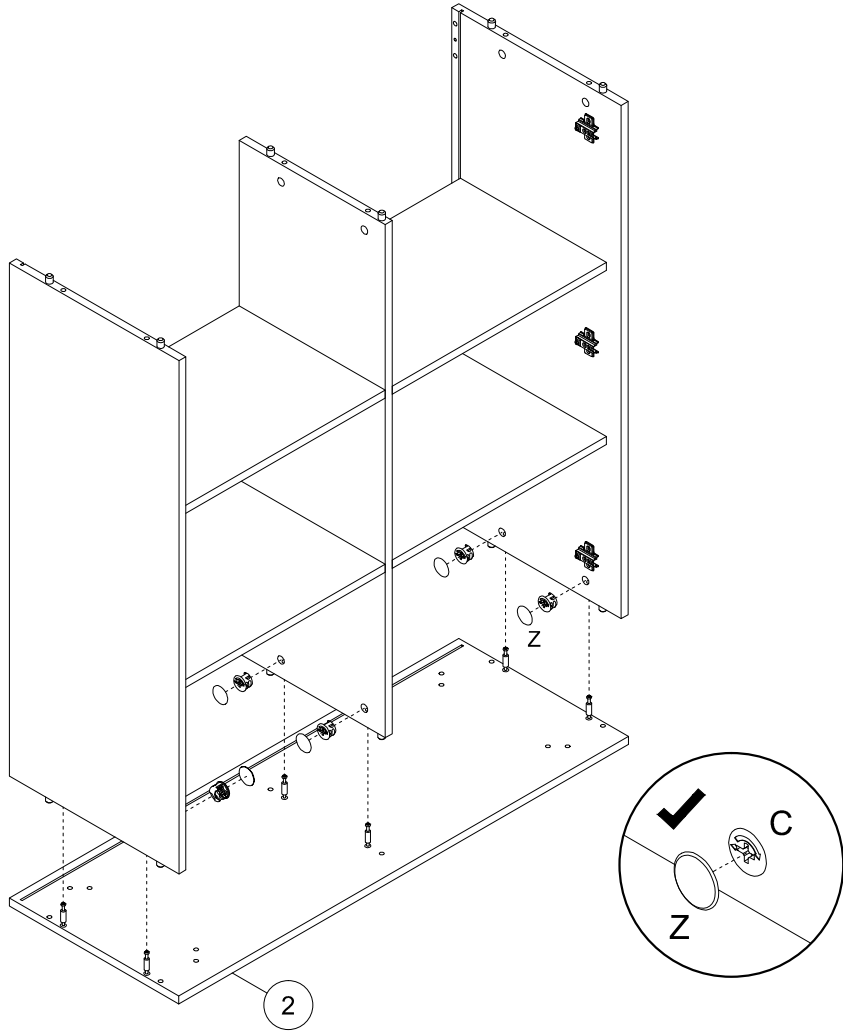
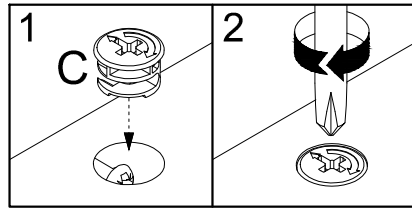
4



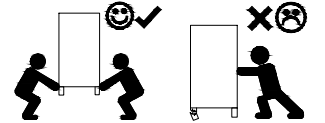
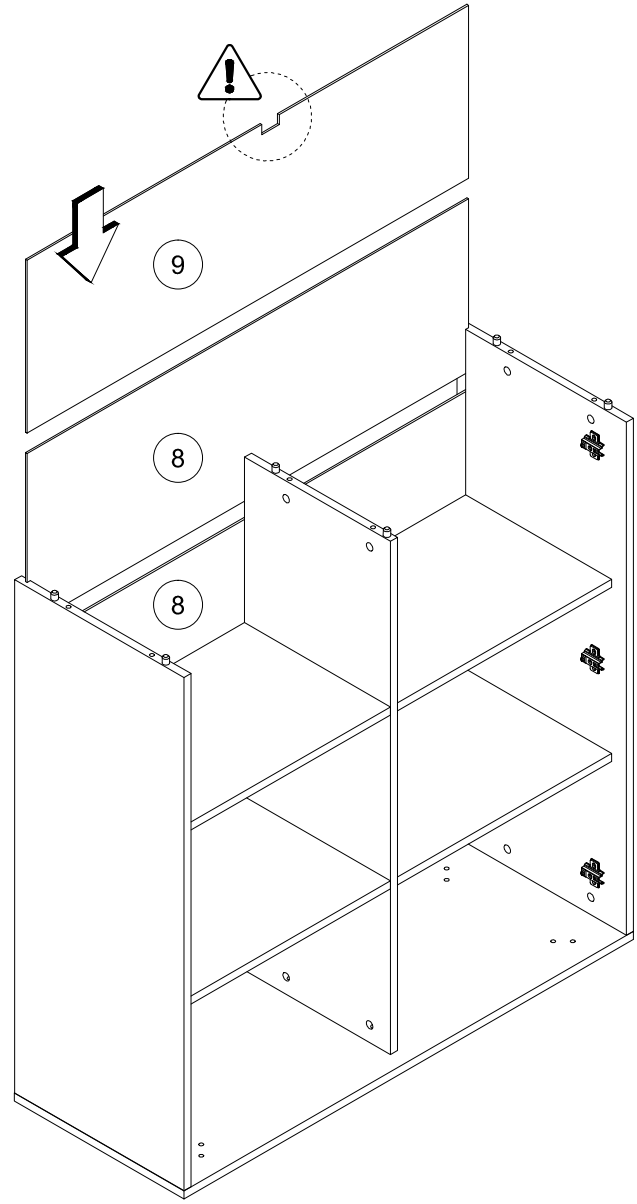
5



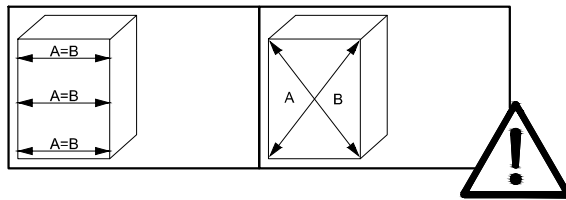
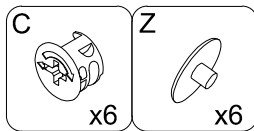
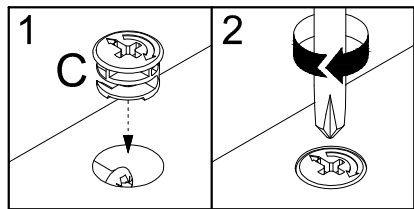
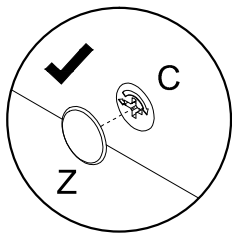
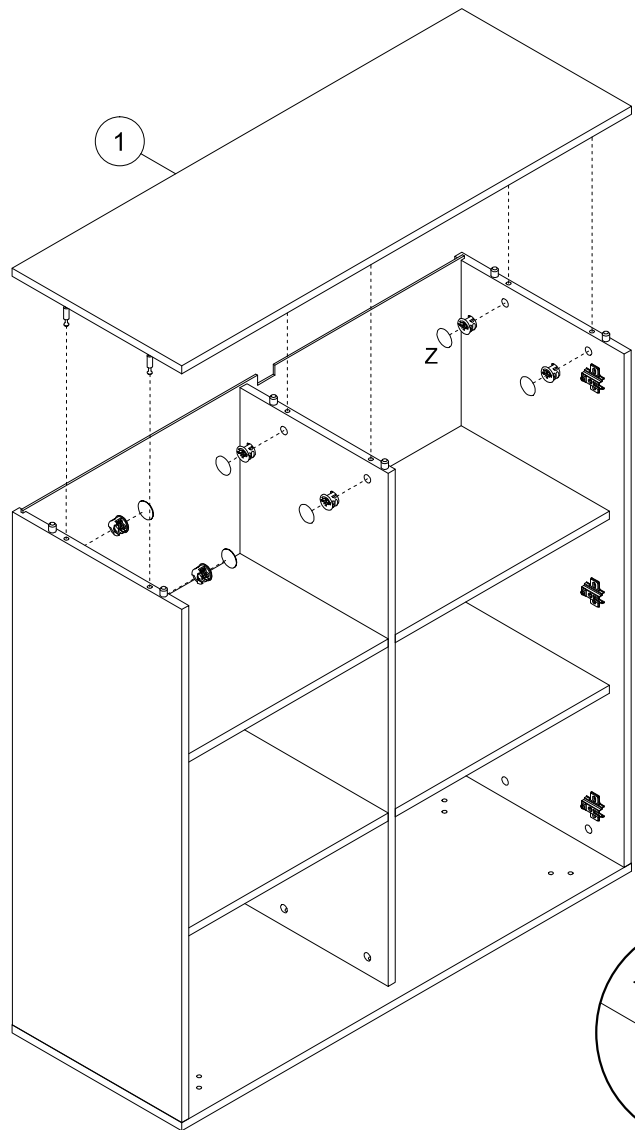
6



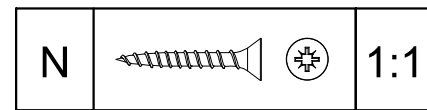
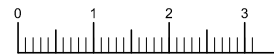
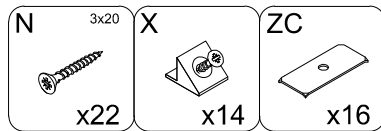
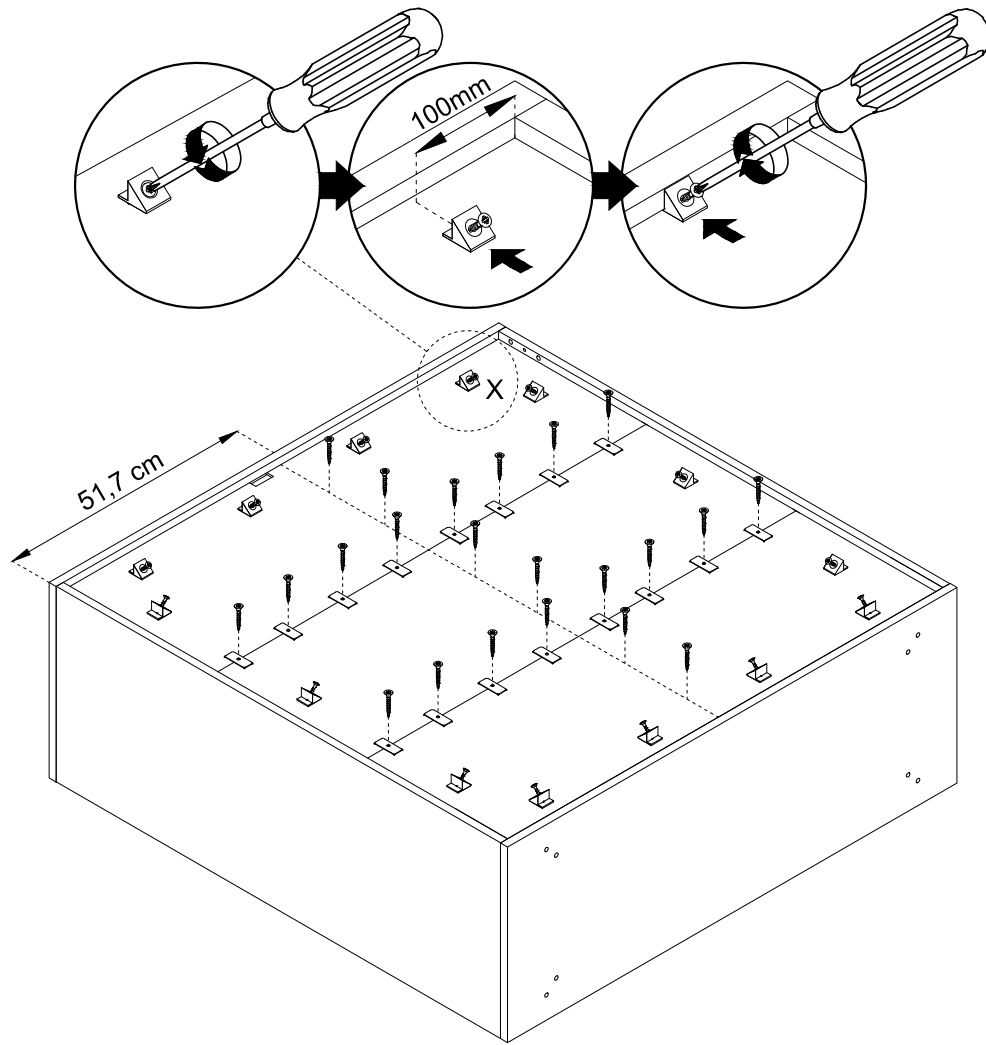
7



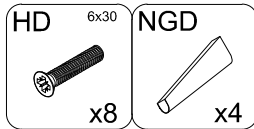
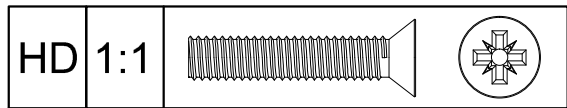
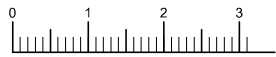
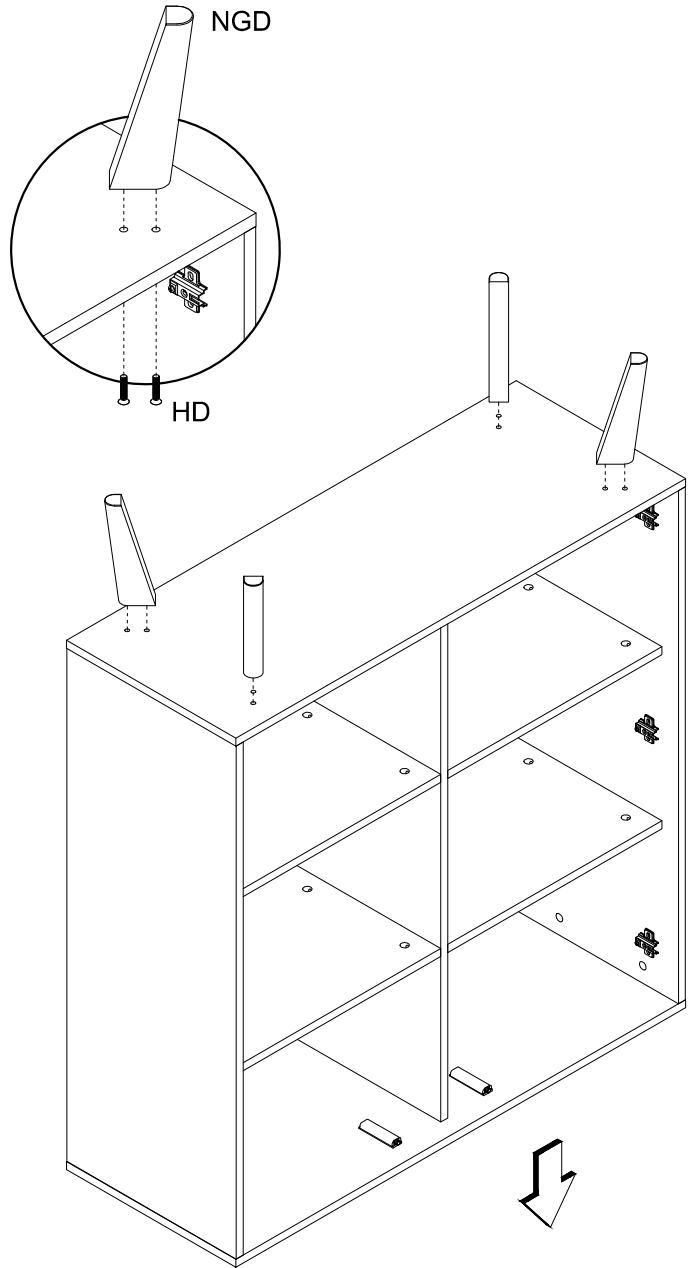
8



9



10



11

