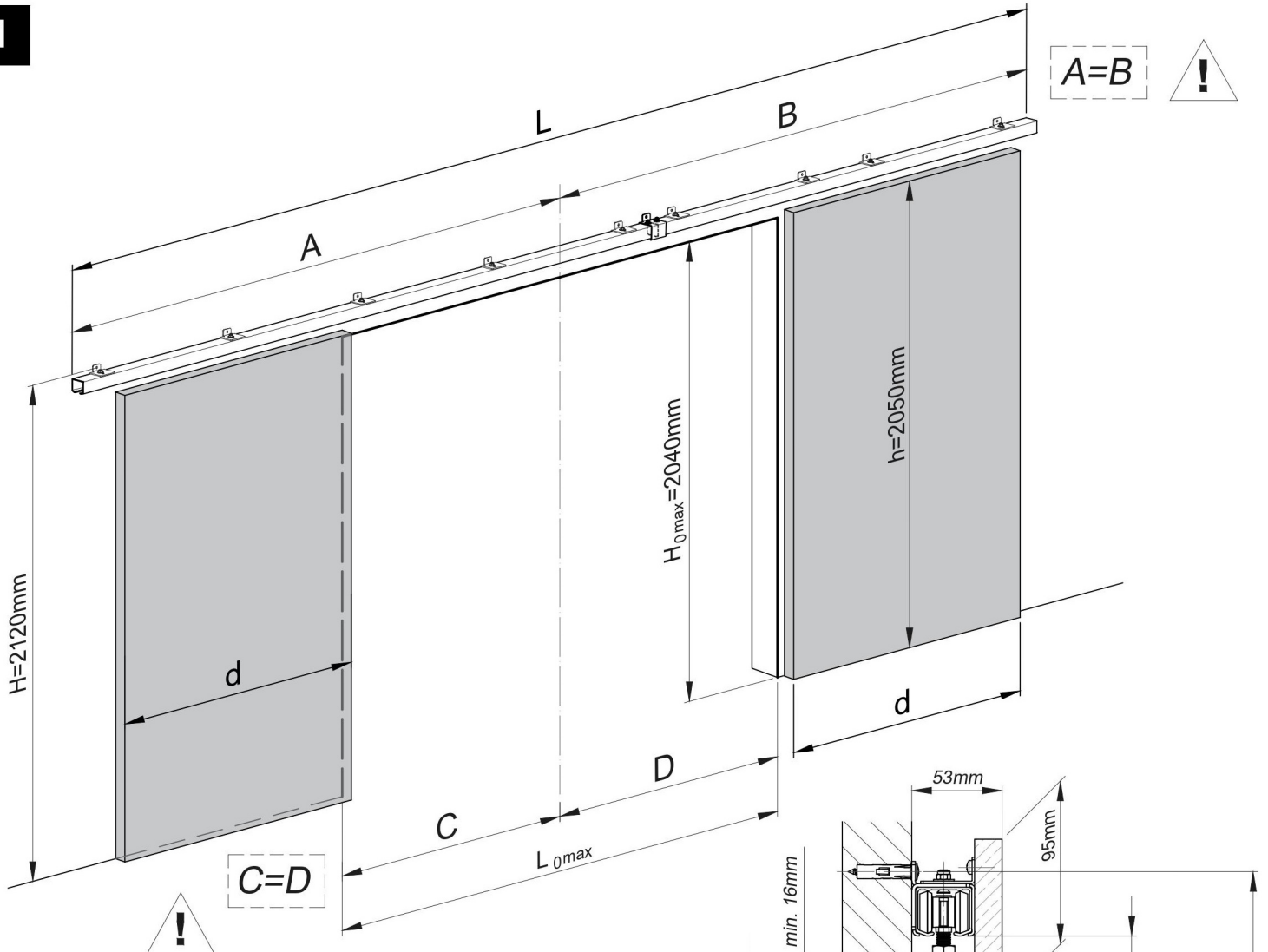
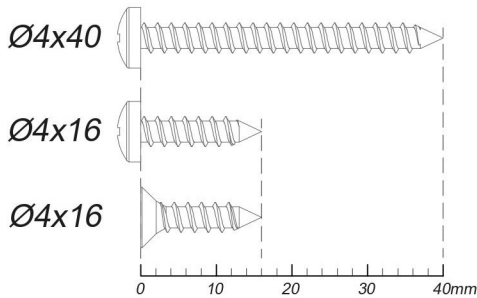
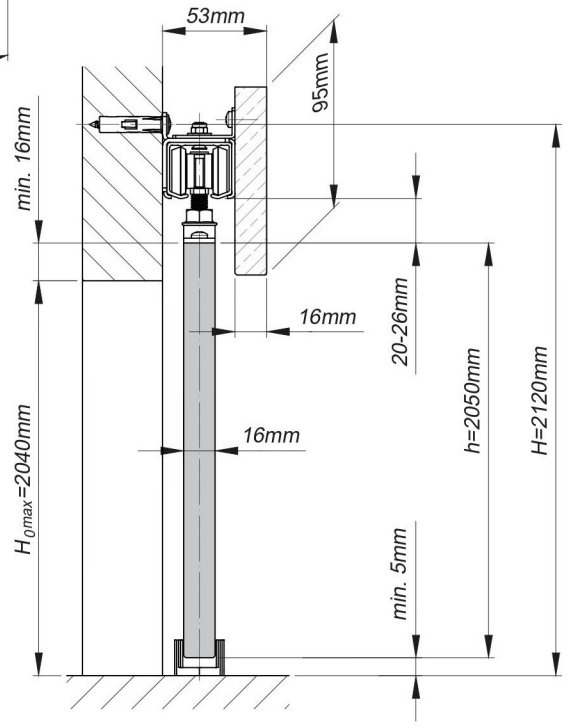


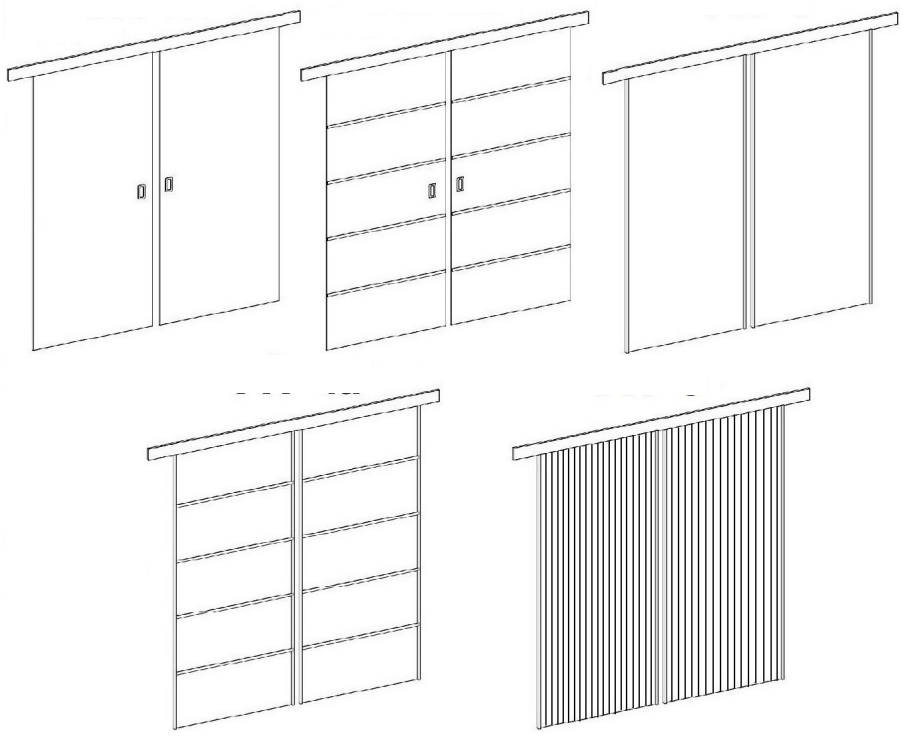
1



L [mm]	2570	2970	3370	4000	
d [mm] x2	660 "120"	760 "140"	860 "160"	960 "180"	1060 "200"
L _{0max} [mm]	1260	1460	1660	1860	2060

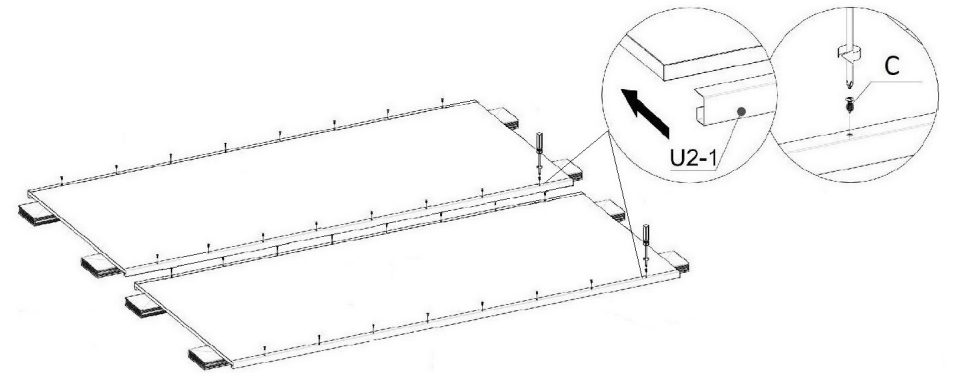
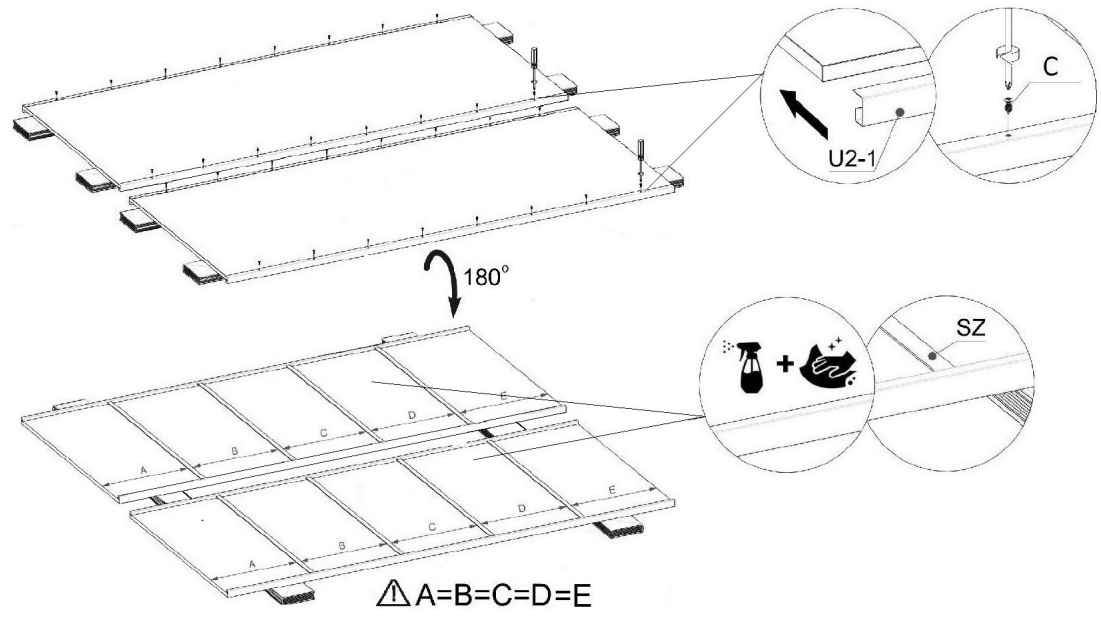
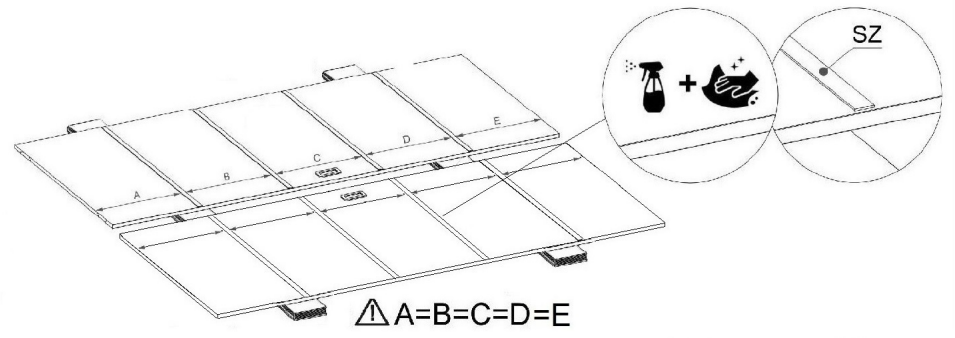
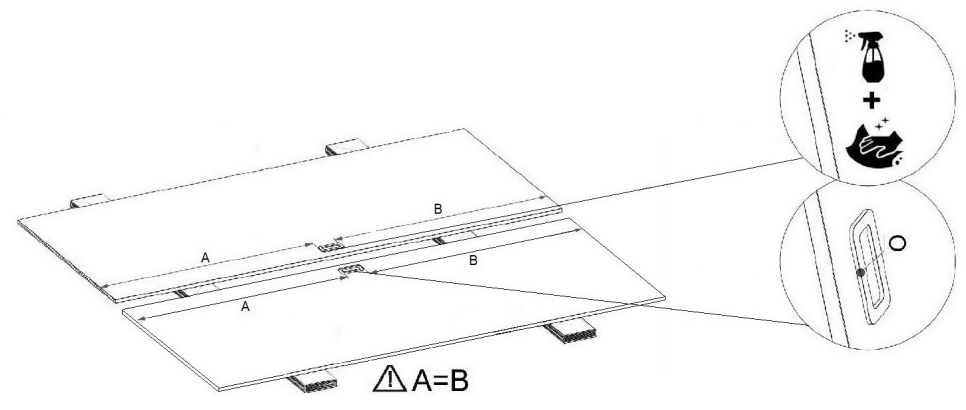


2

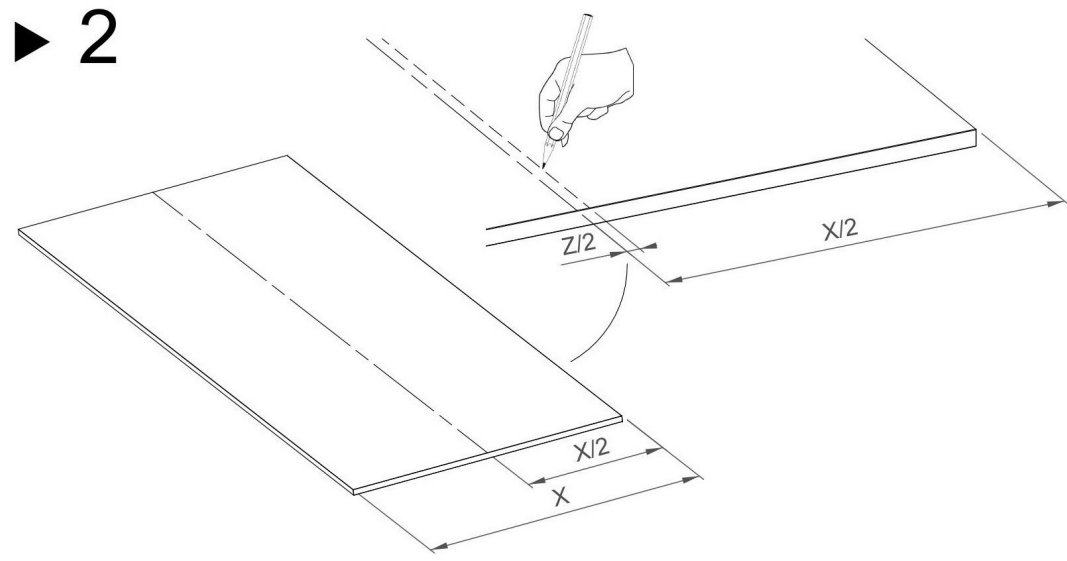
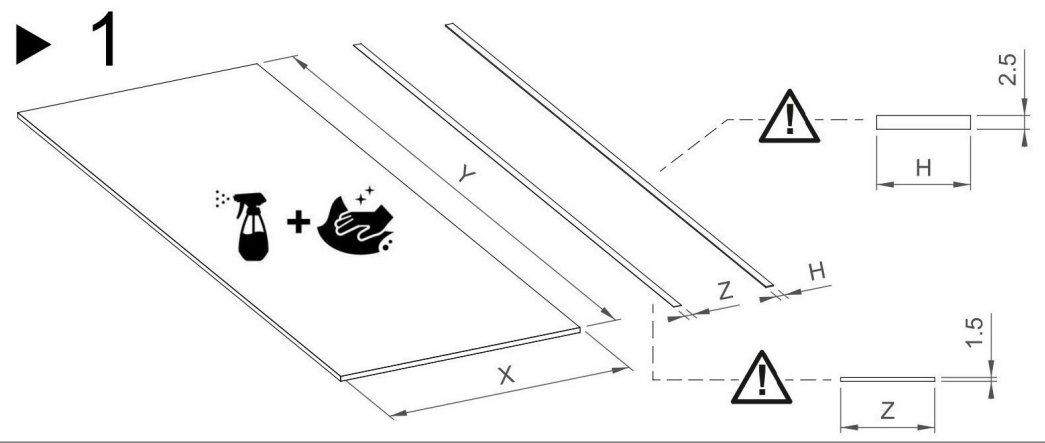
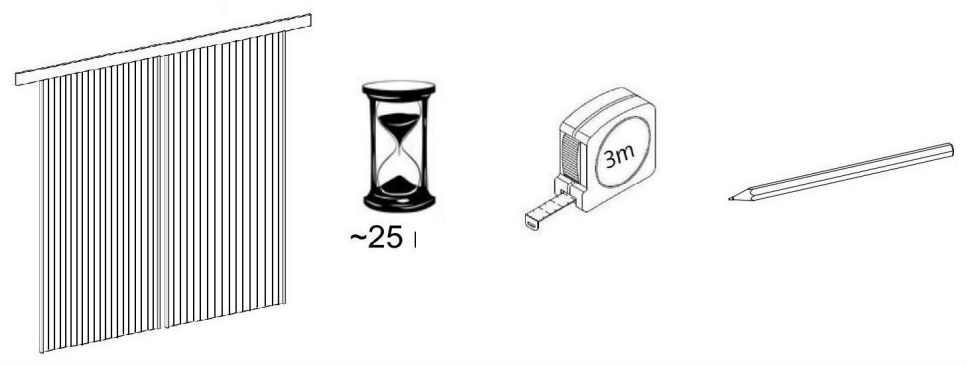


2a

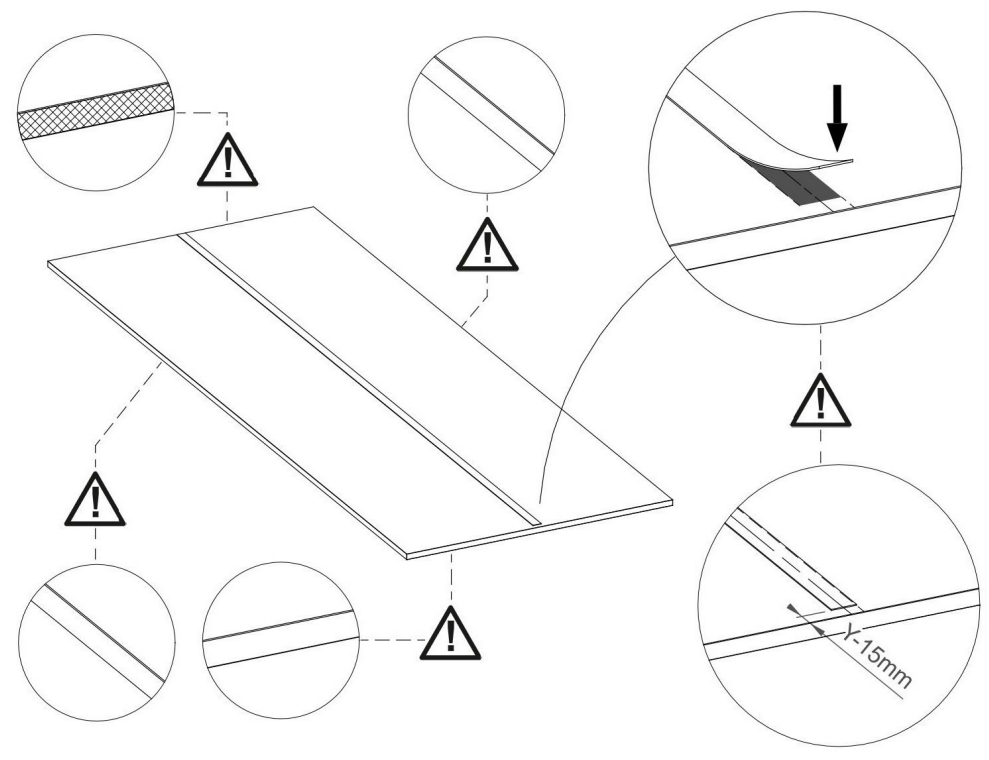
- O TYP 2 TYP 2a 2
- U2 4kpl U2-1 x1 TYP 4 TYP 4a Cx8
- SZ TYP 4a TYP 2a 8



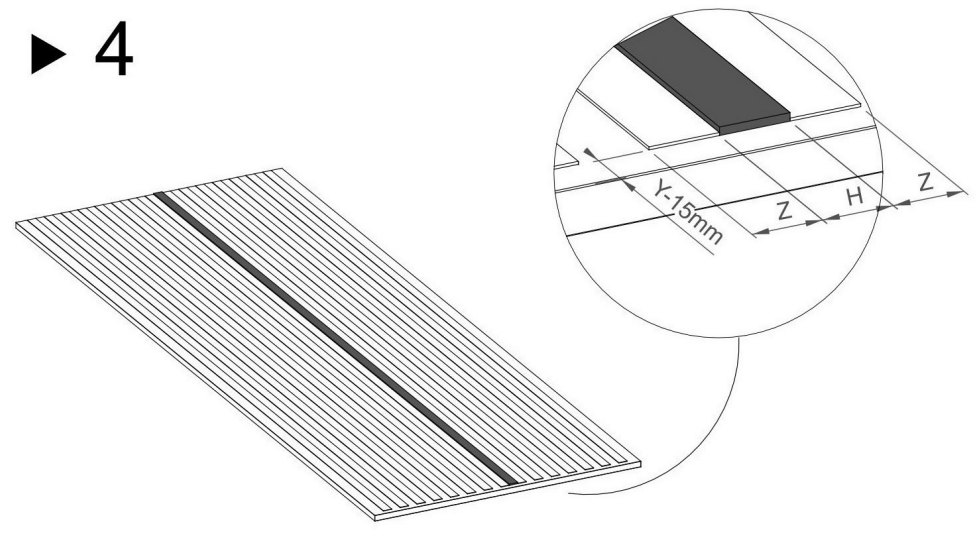
2b



▶ 3



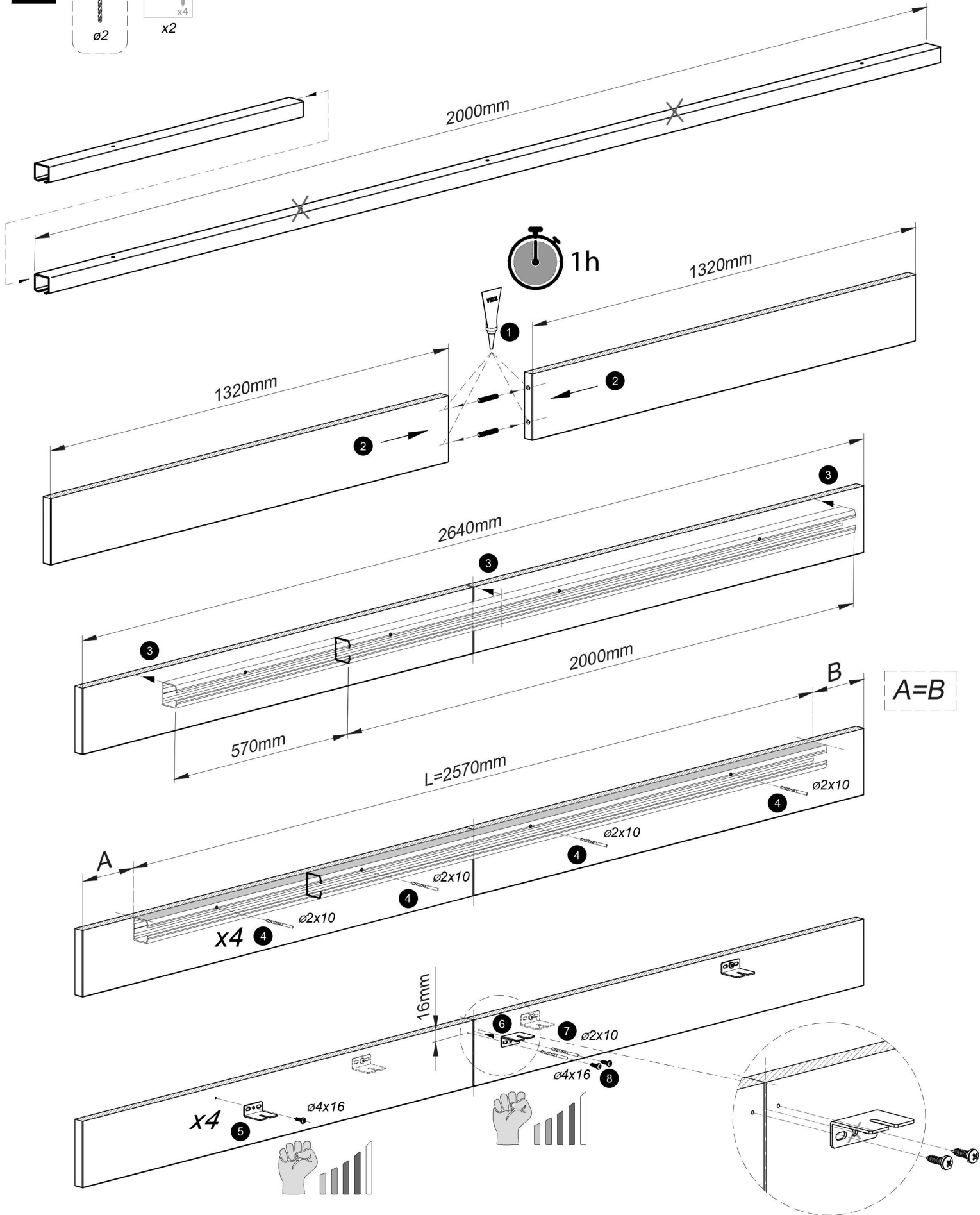
▶ 4



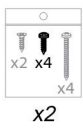
3a



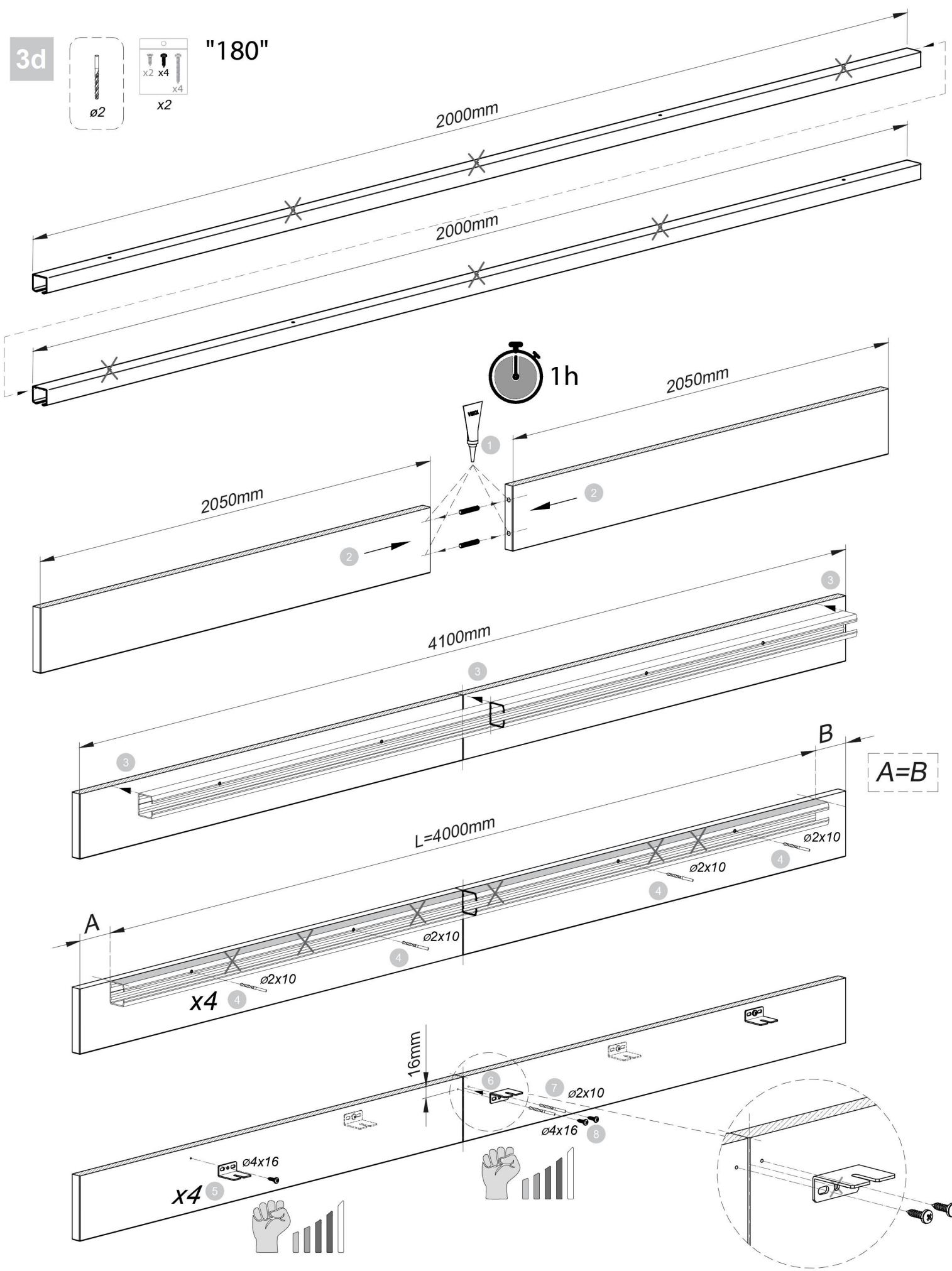
"120"



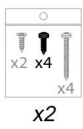
3d



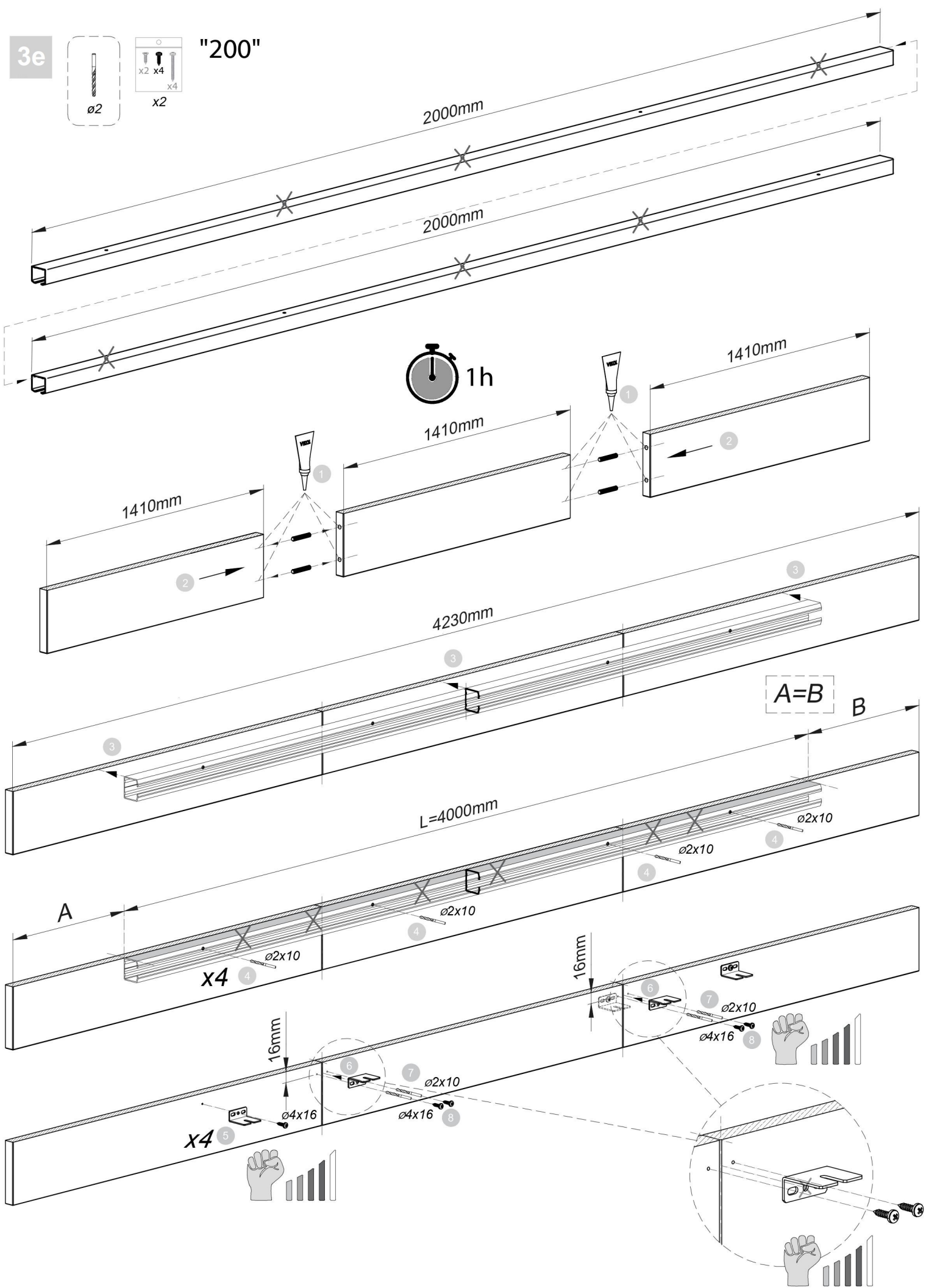
"180"



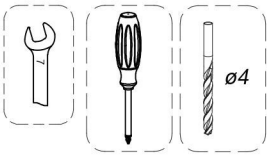
3e



"200"



4a

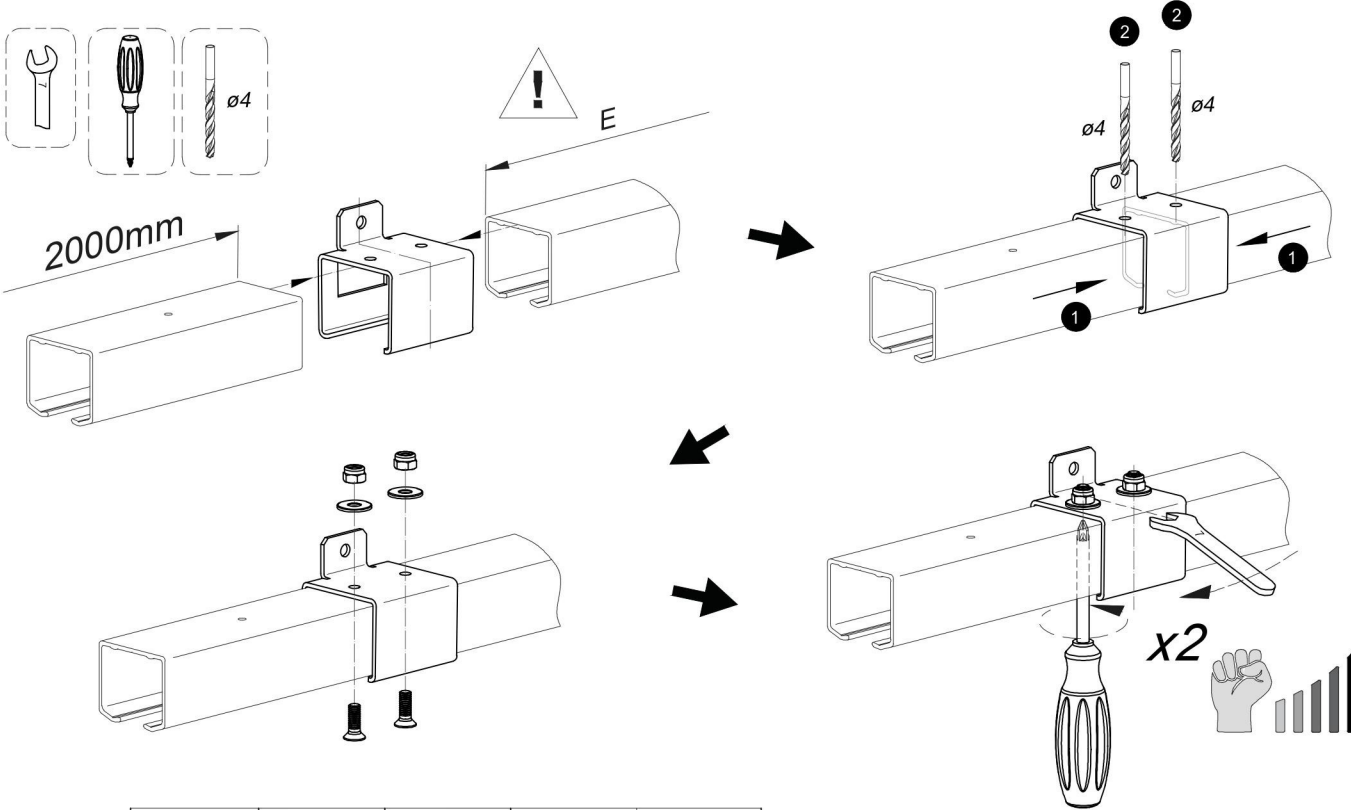


4b

4c

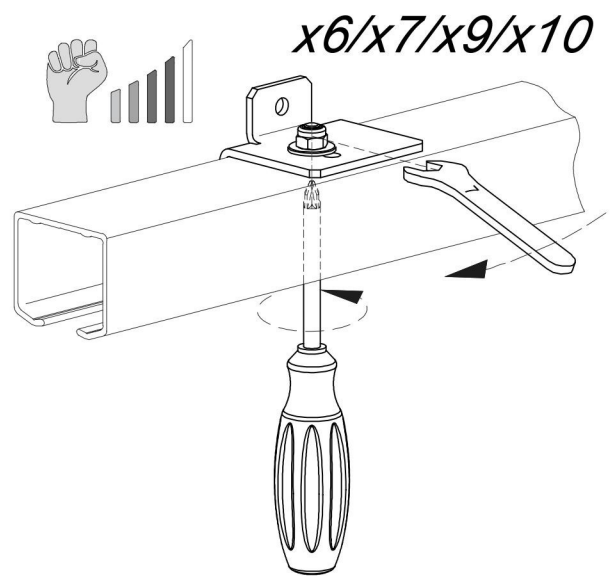
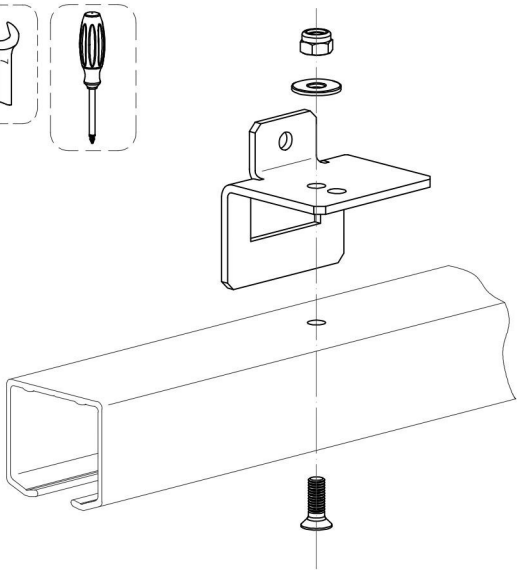
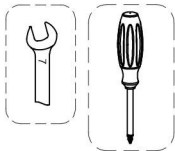
4d

4e

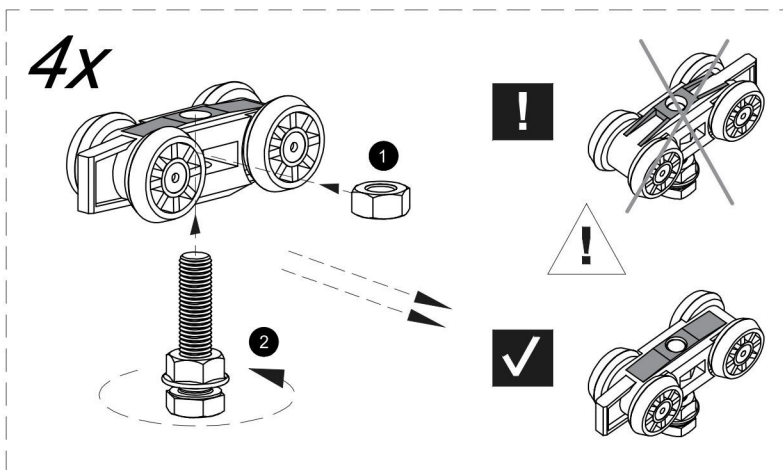


	"120"	"140"	"160"	"180"	"200"
E [mm]	570	970	1370	2000	

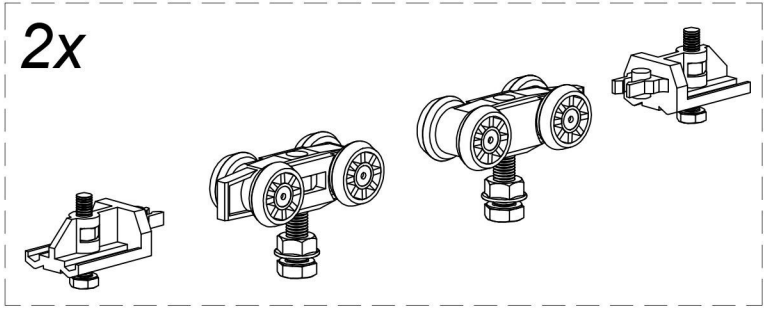
5



6



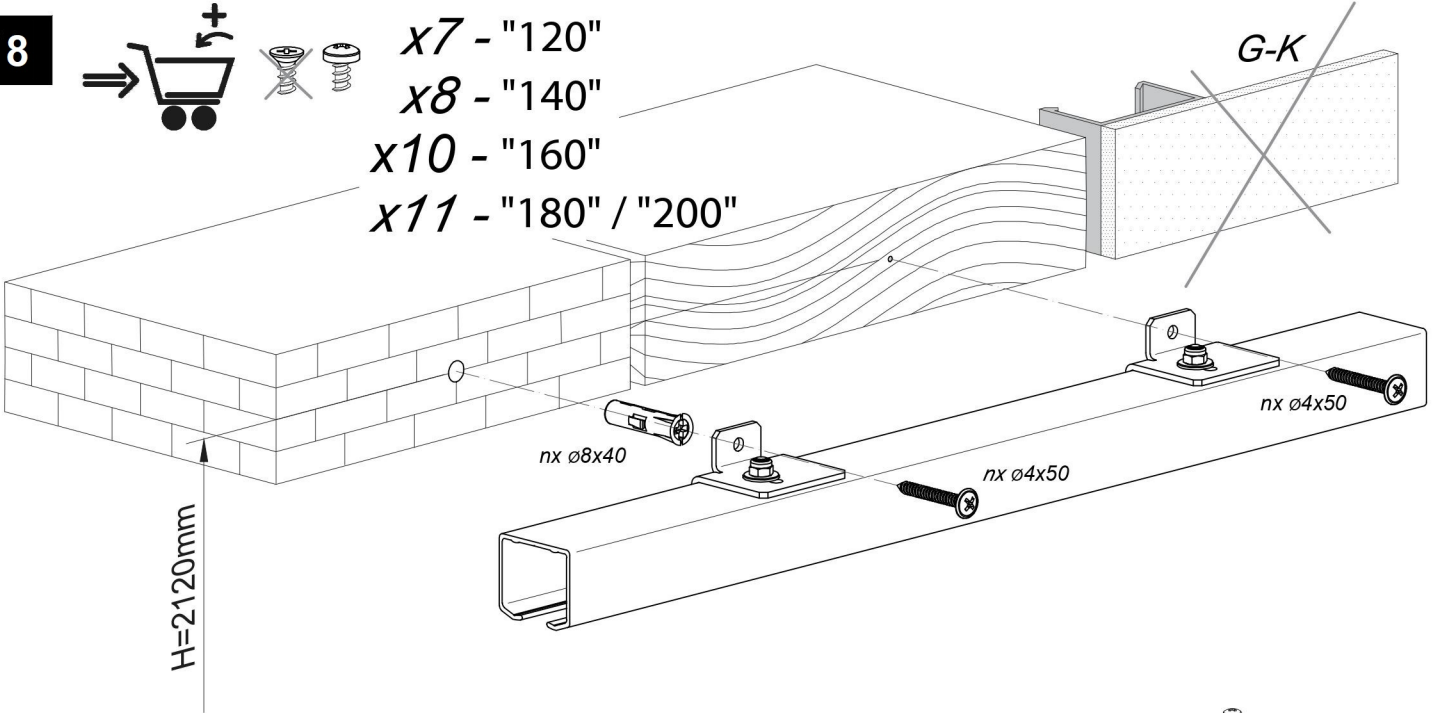
7



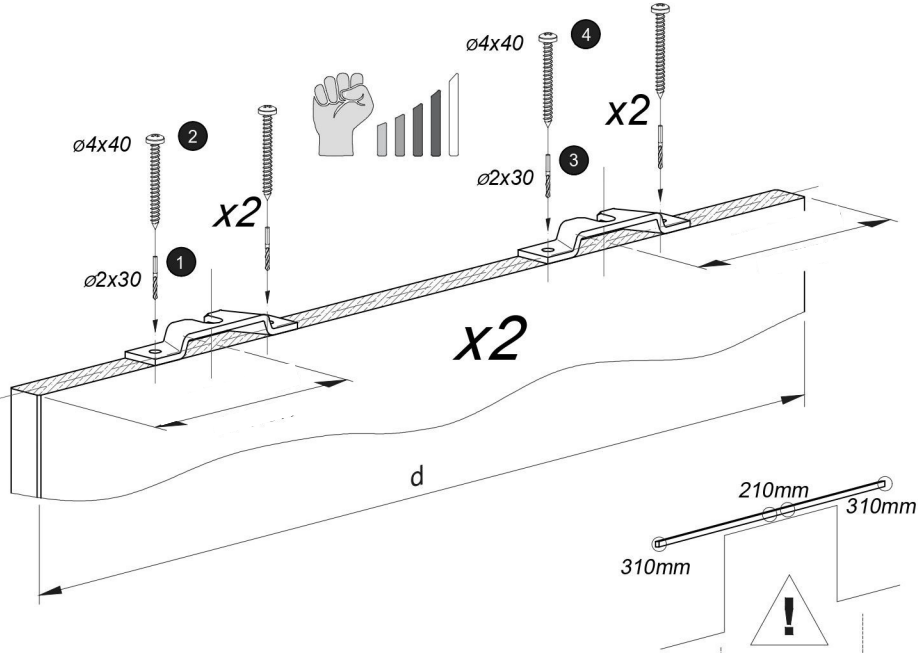
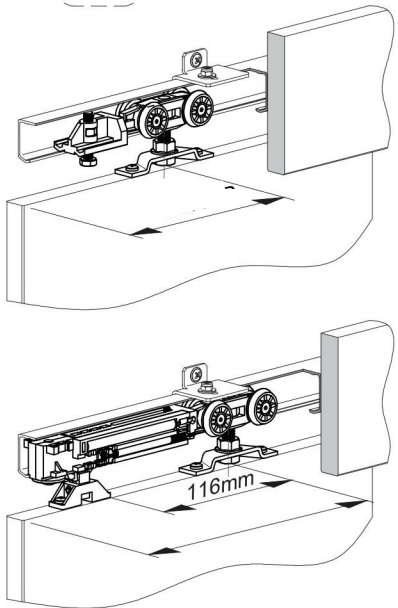
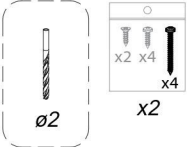
8



x7 - "120"
 x8 - "140"
 x10 - "160"
 x11 - "180" / "200"

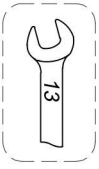


9

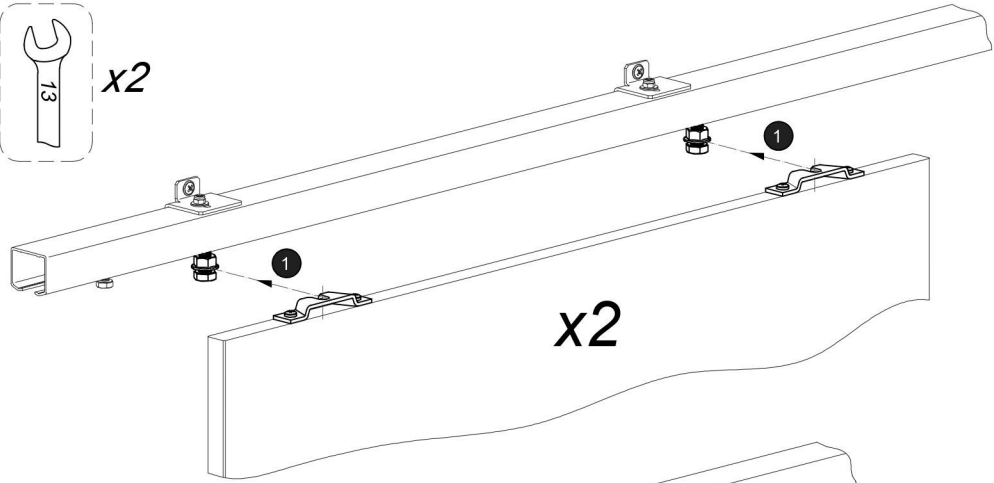


d [mm]	660 "120"	760 "140"	860 "160"	960 "180"	1060 "200"
[mm]		100			160
[mm]		180			210/310

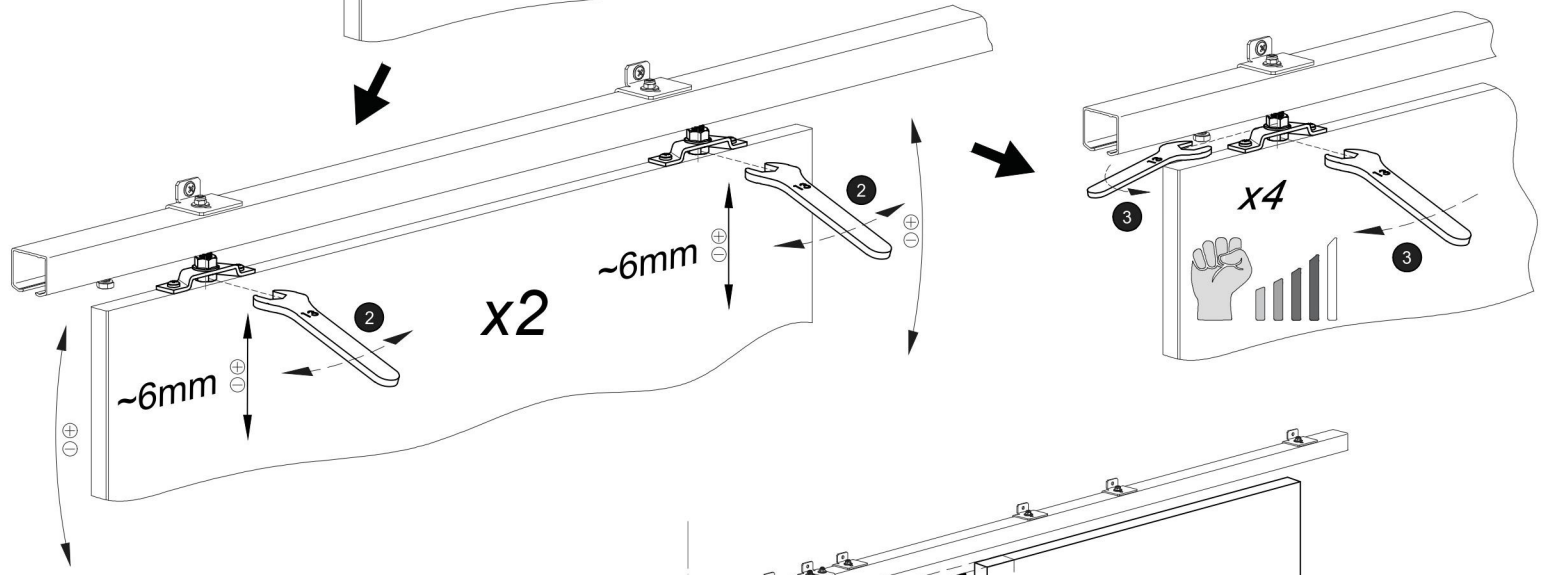
10



x2

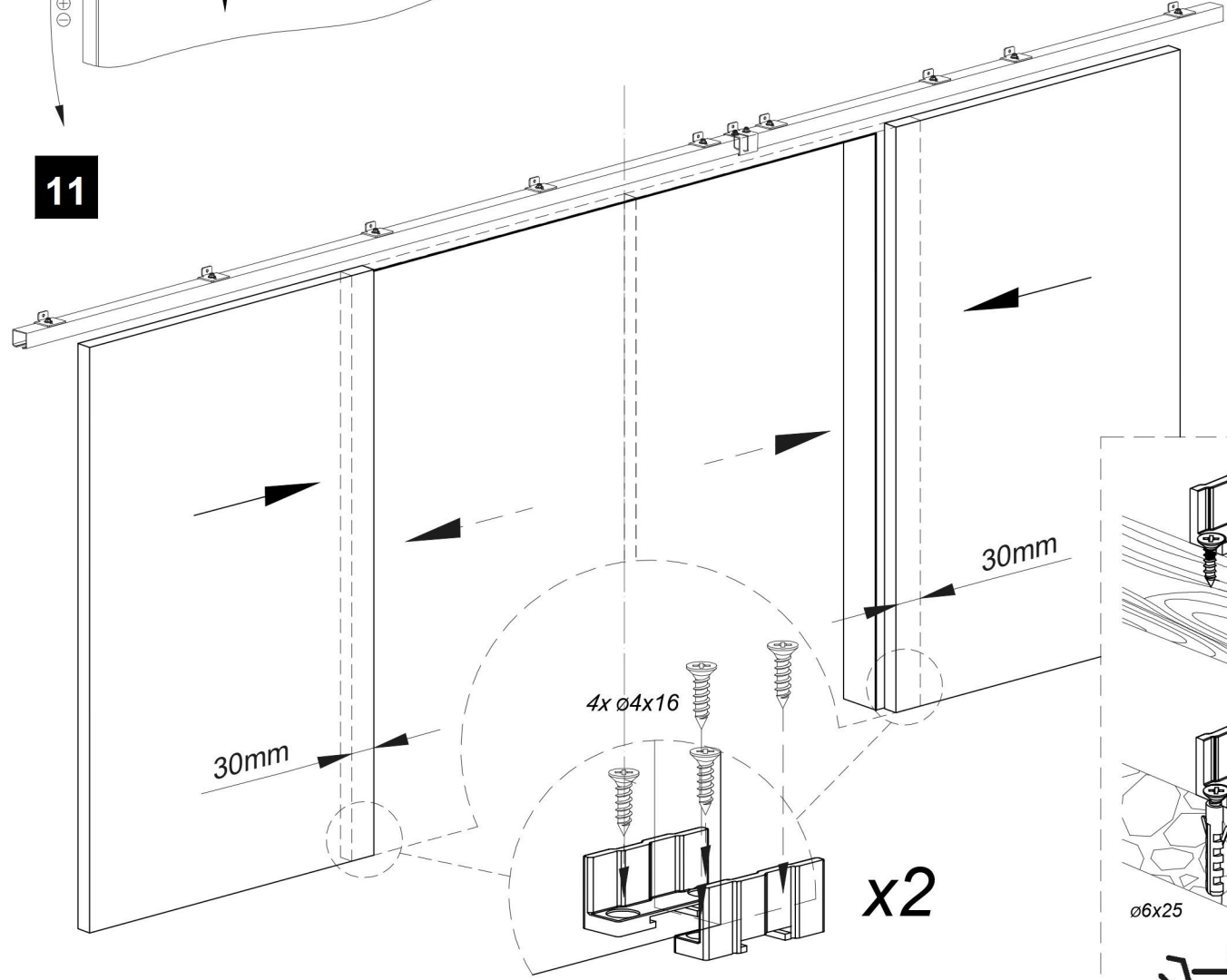


x2

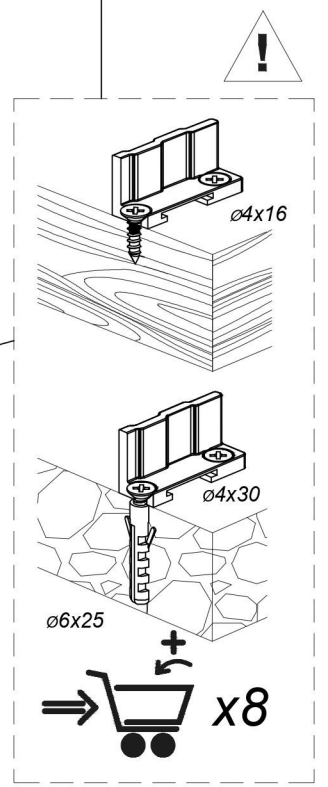


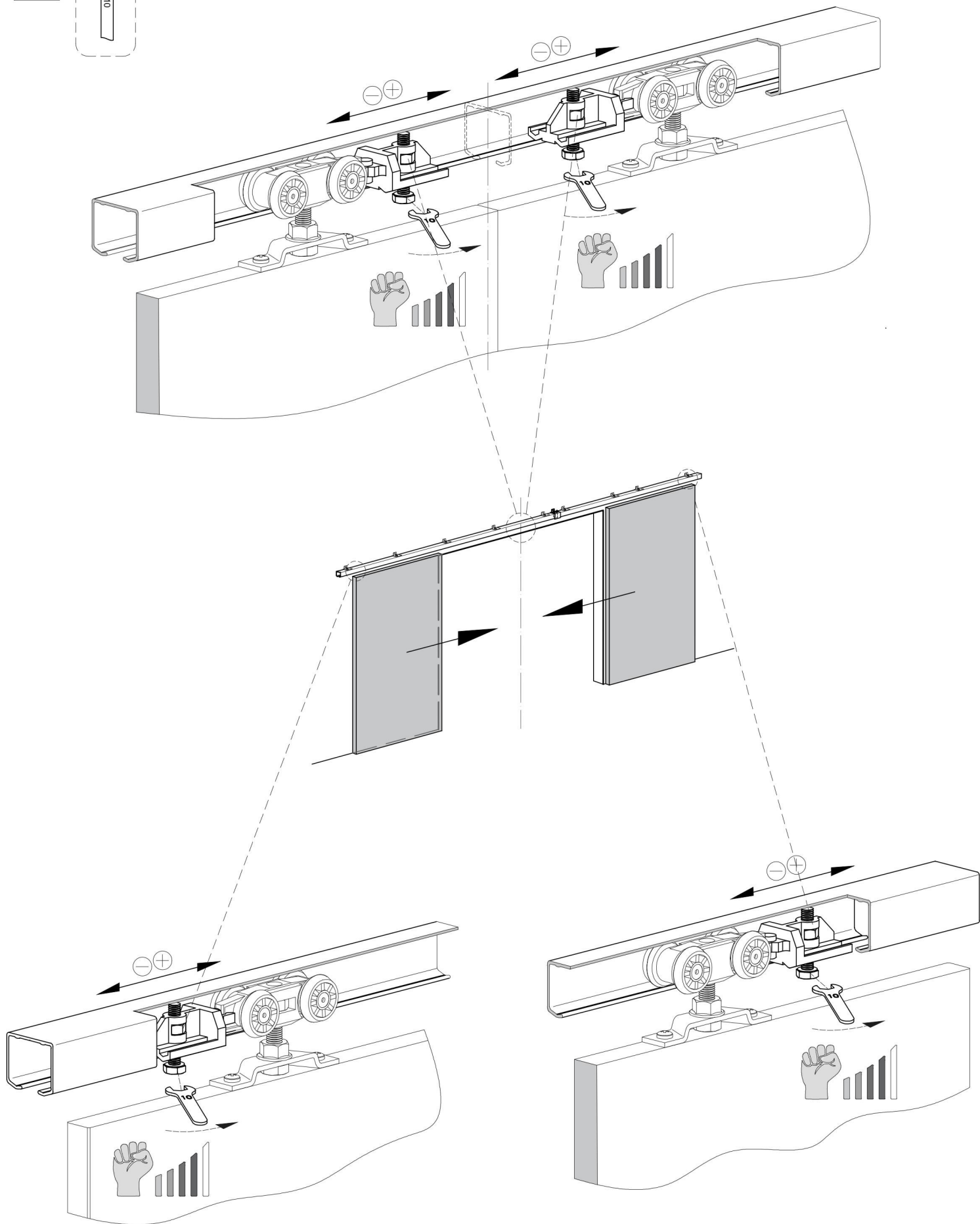
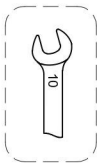
x2

11

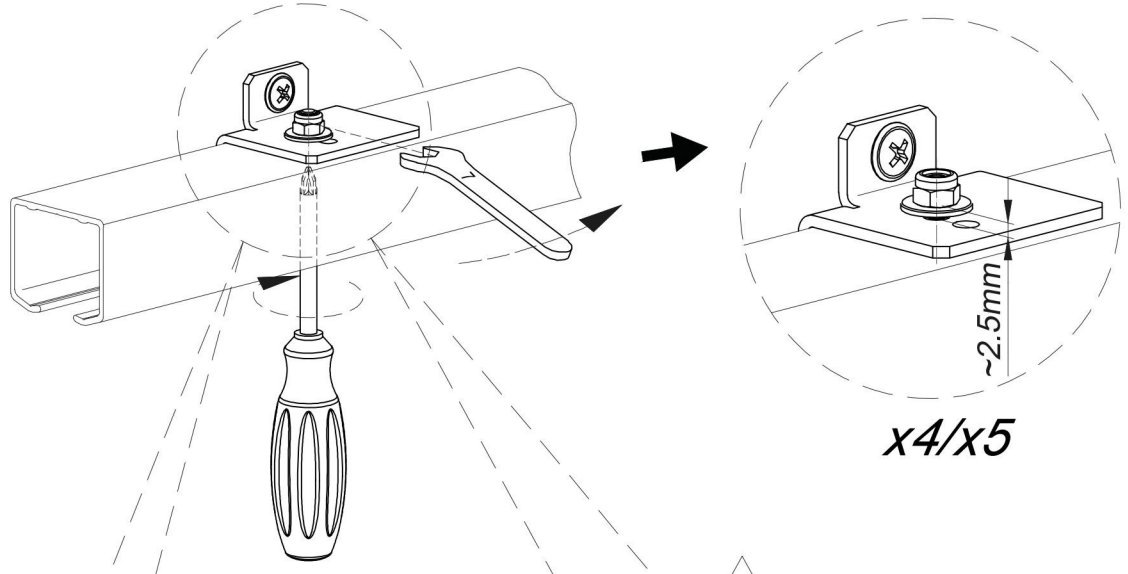
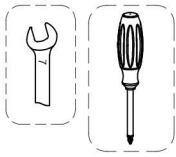


x2





13



13a

"120"

x4

x4

13b

"140"

13c

"160"

x5

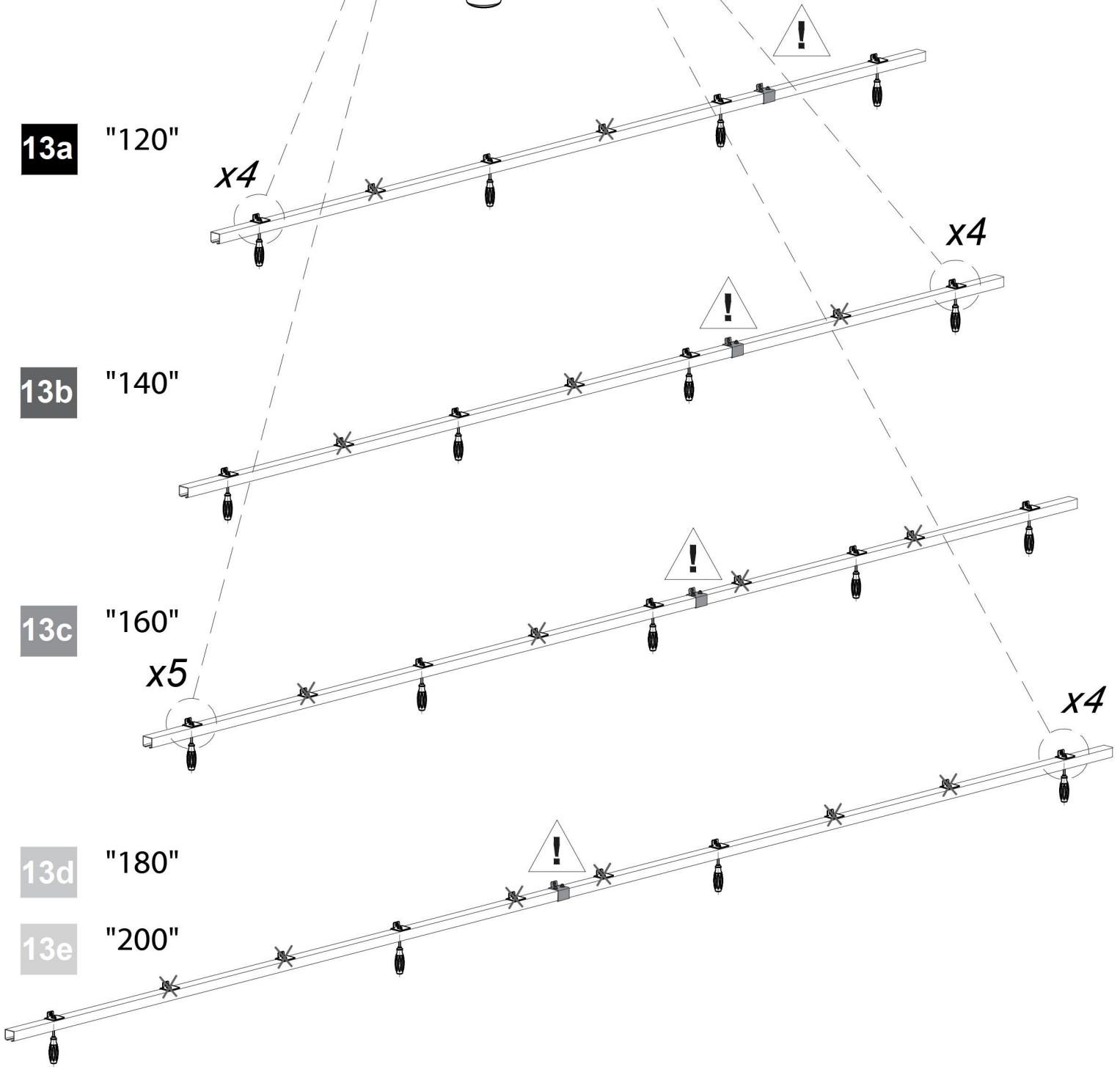
x4

13d

"180"

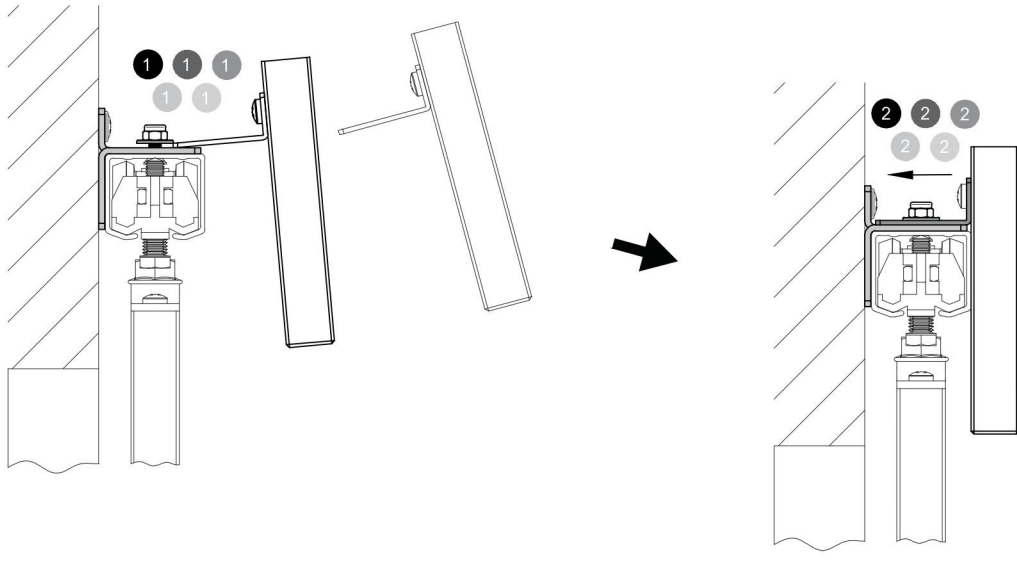
13e

"200"



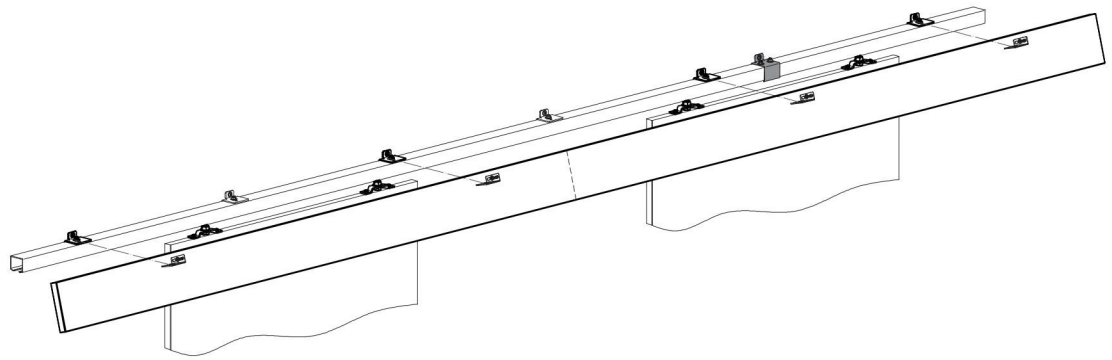
14

x4/x5



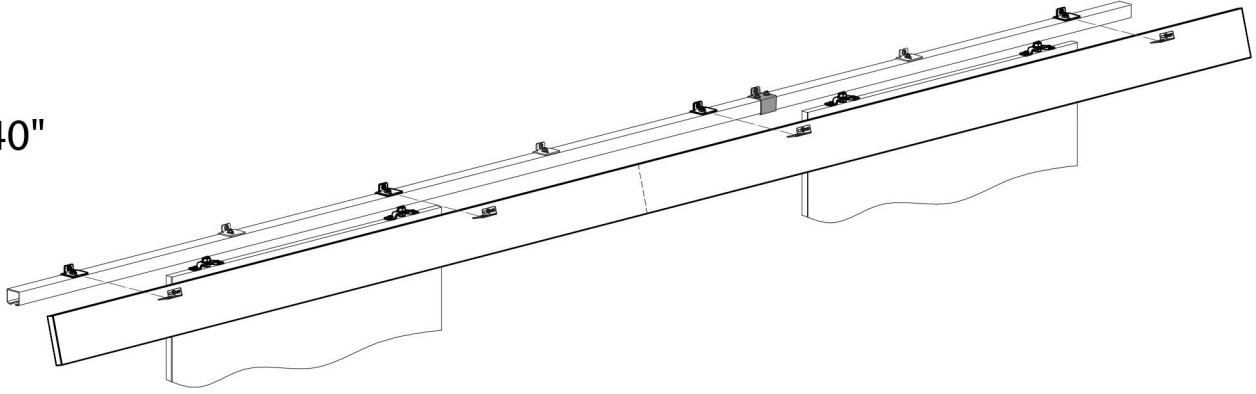
14a

"120"



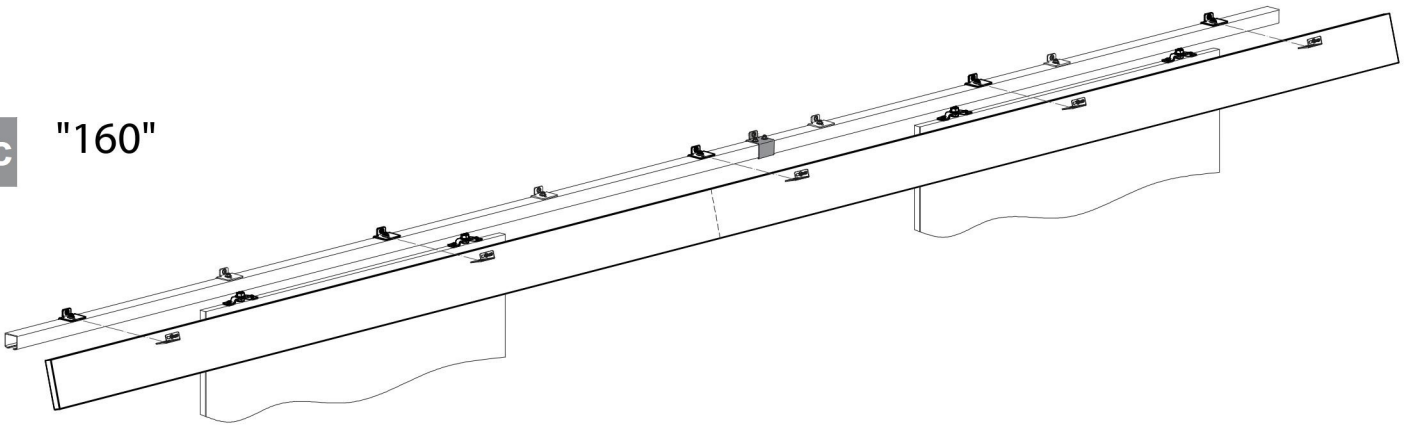
14b

"140"

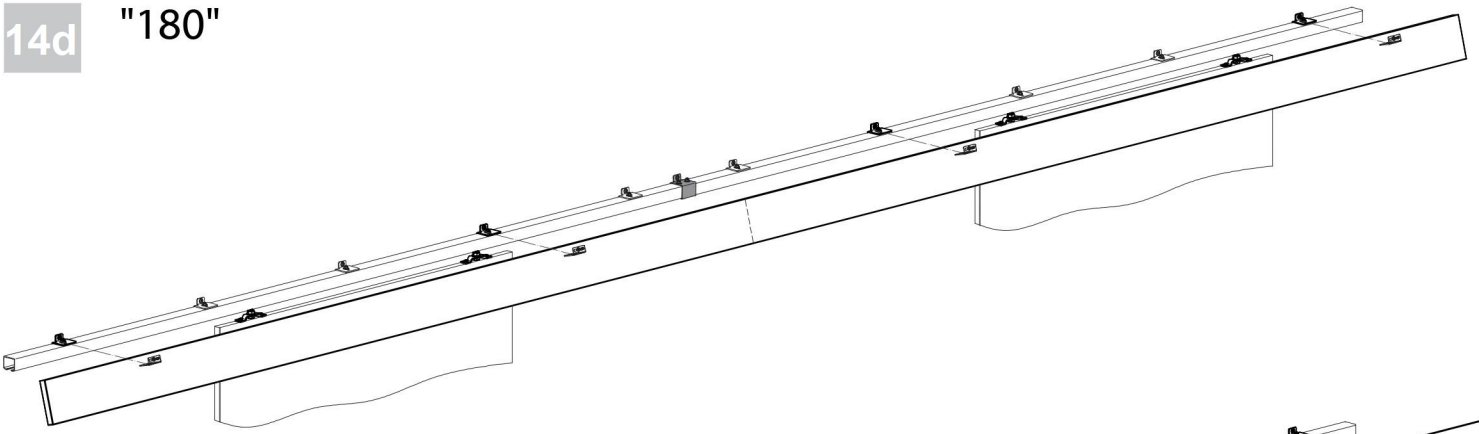


14c

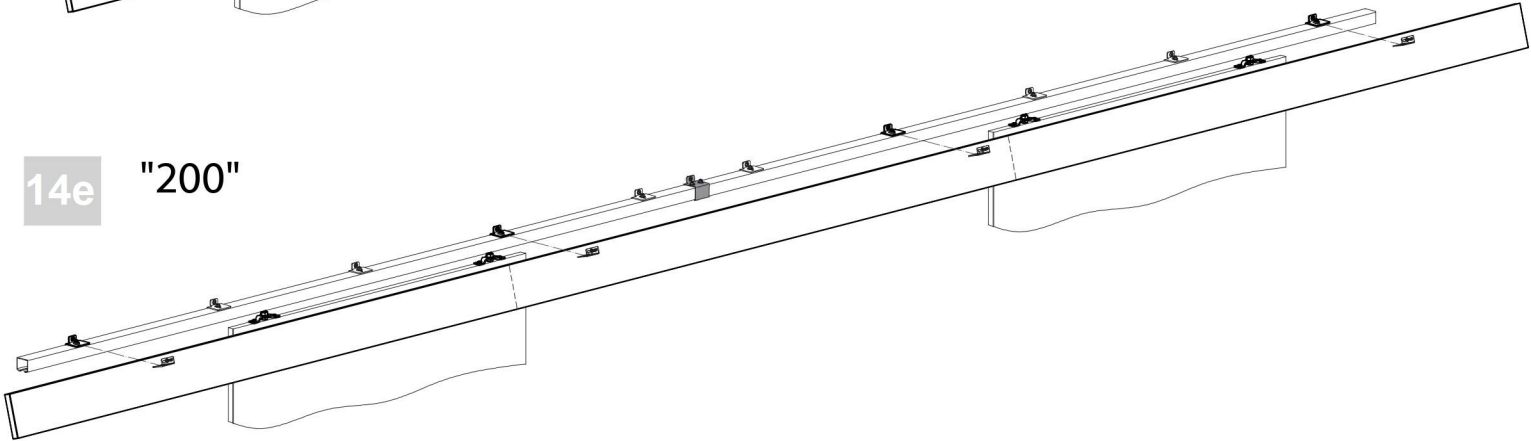
"160"



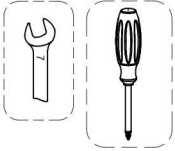
14d "180"



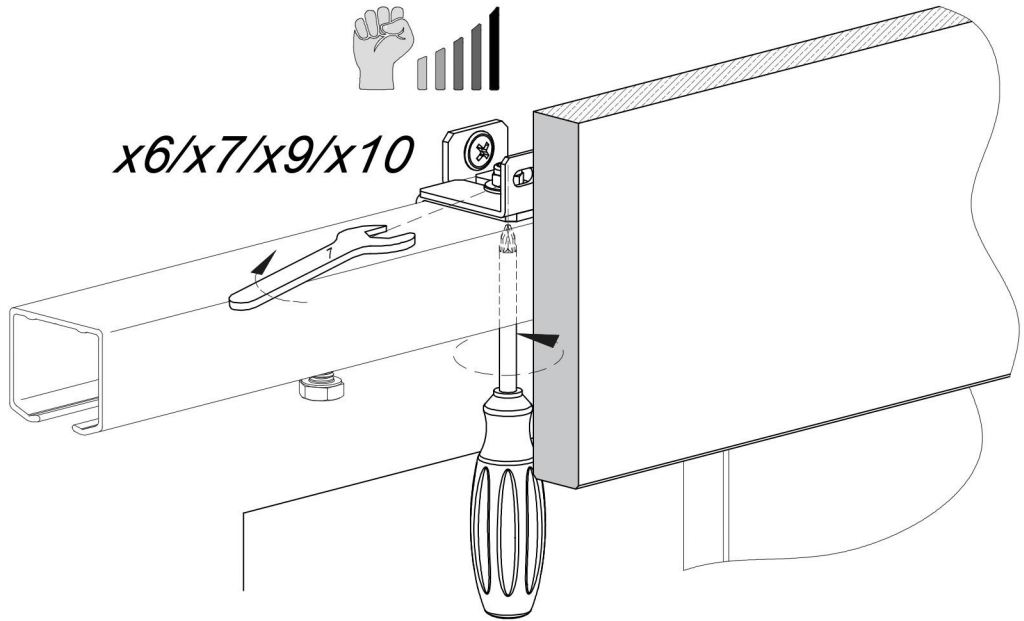
14e "200"



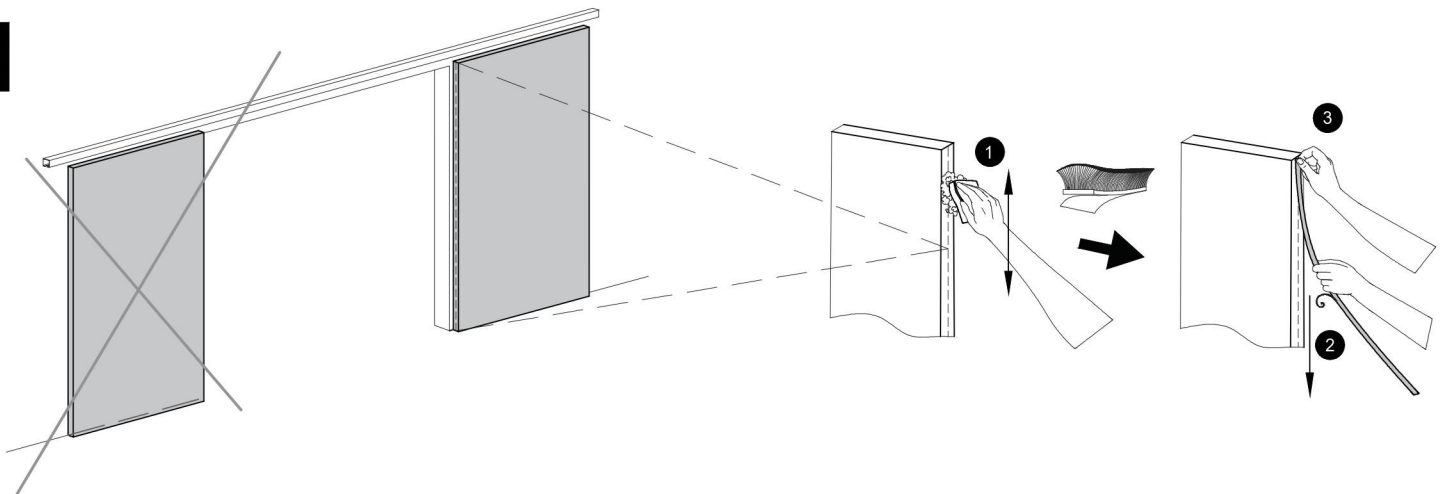
15

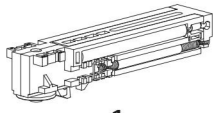


x6/x7/x9/x10



16





x1



x1



x2



x1

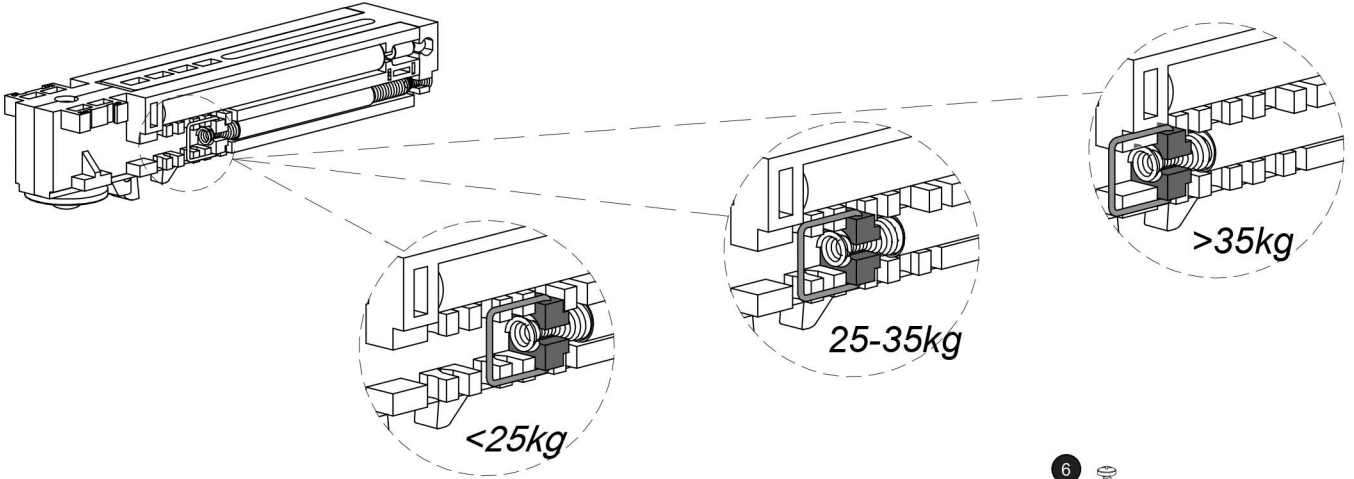


x1

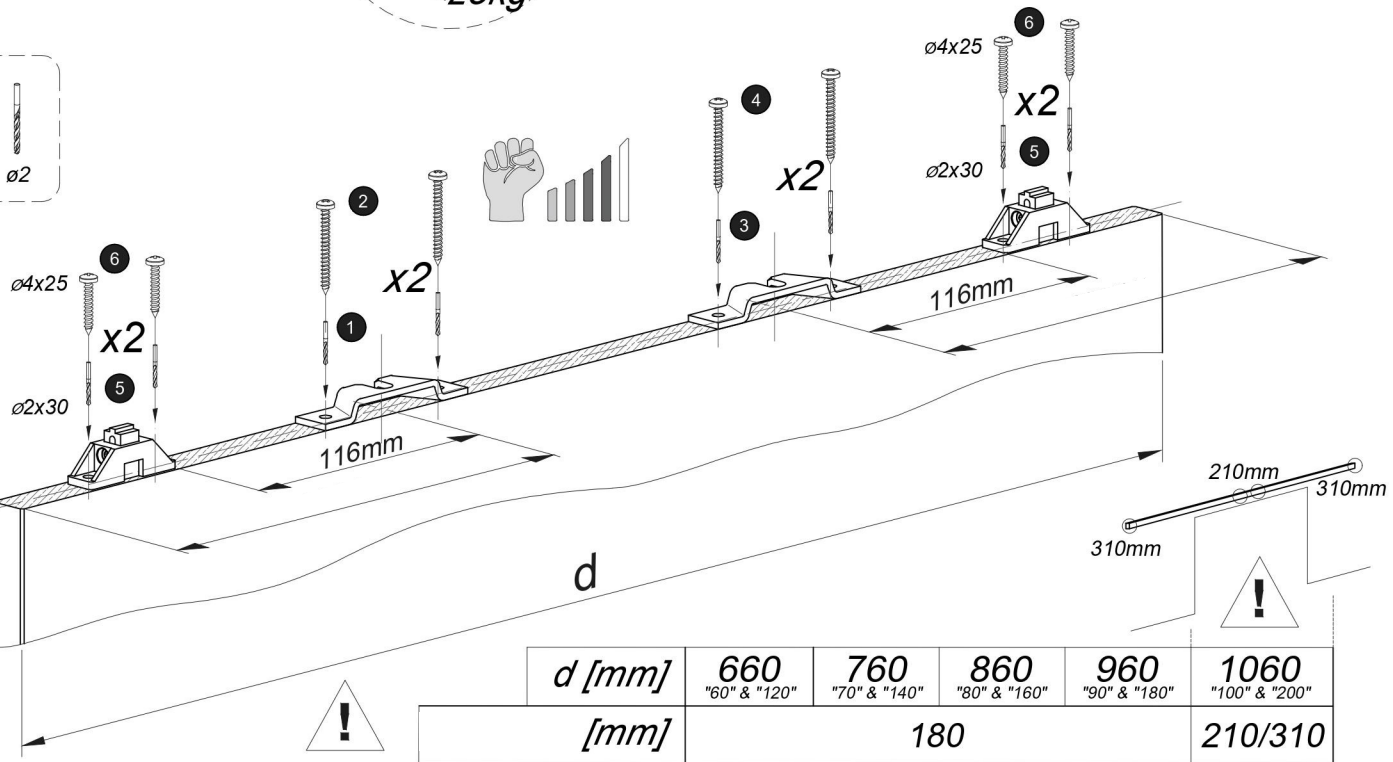


x1

1

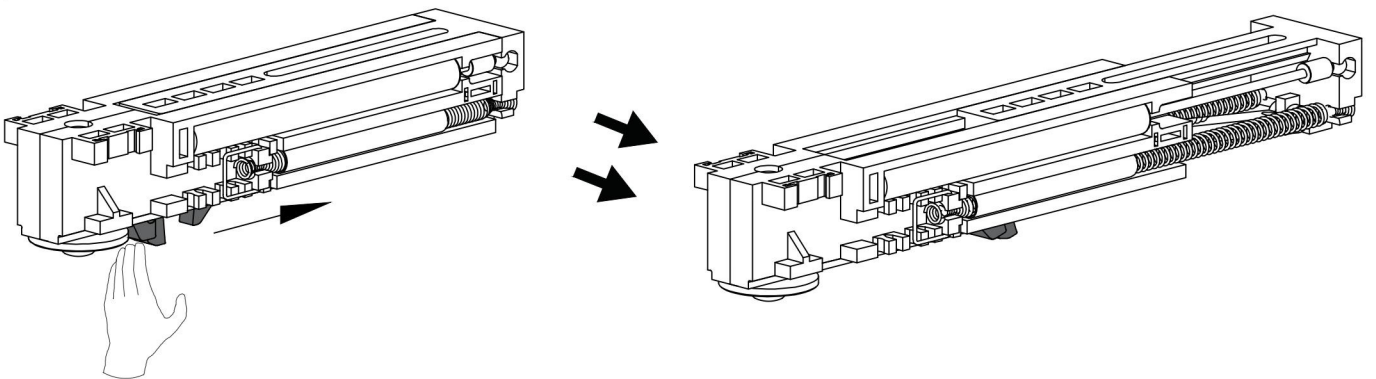


2

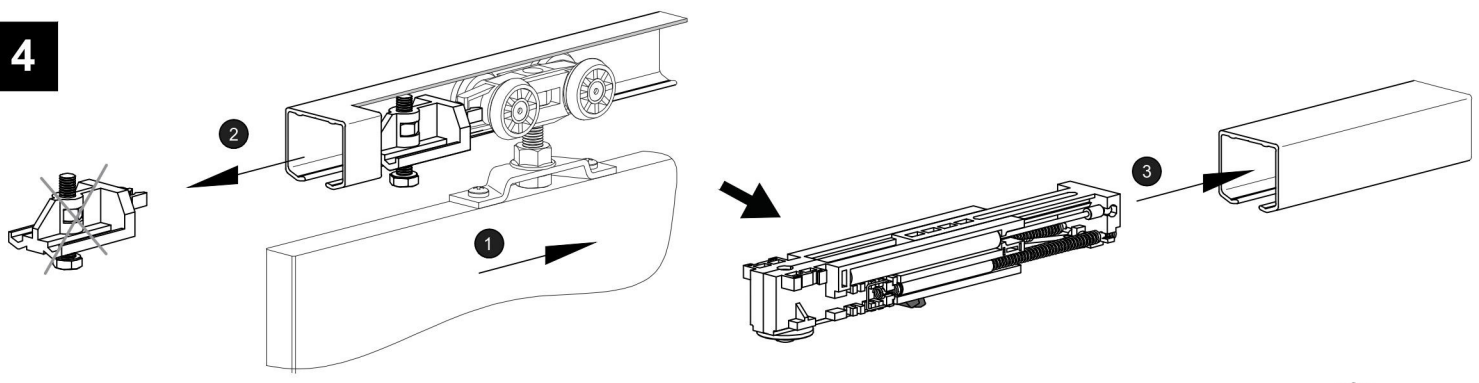


<i>d</i> [mm]	660 "60" & "120"	760 "70" & "140"	860 "80" & "160"	960 "90" & "180"	1060 "100" & "200"
[mm]	180			210/310	

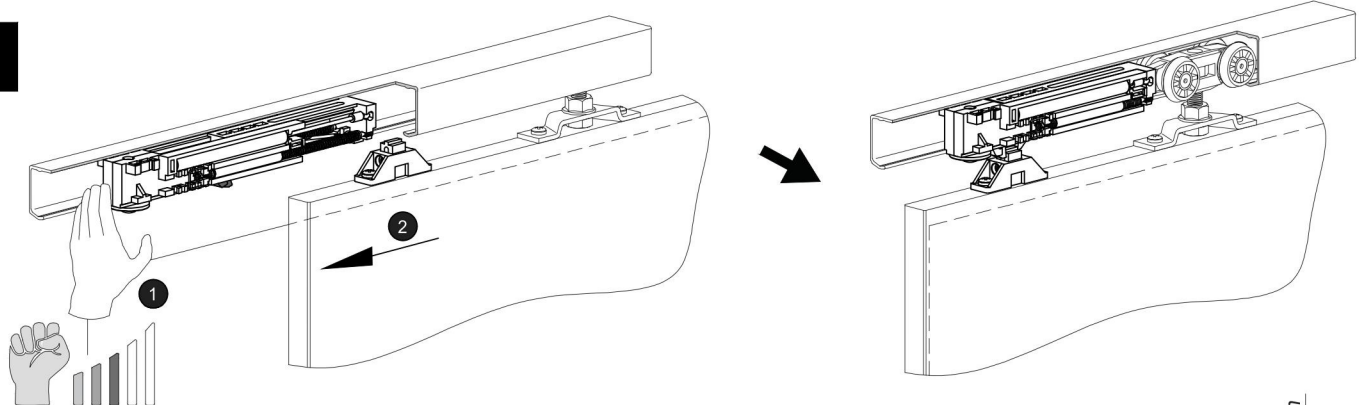
3



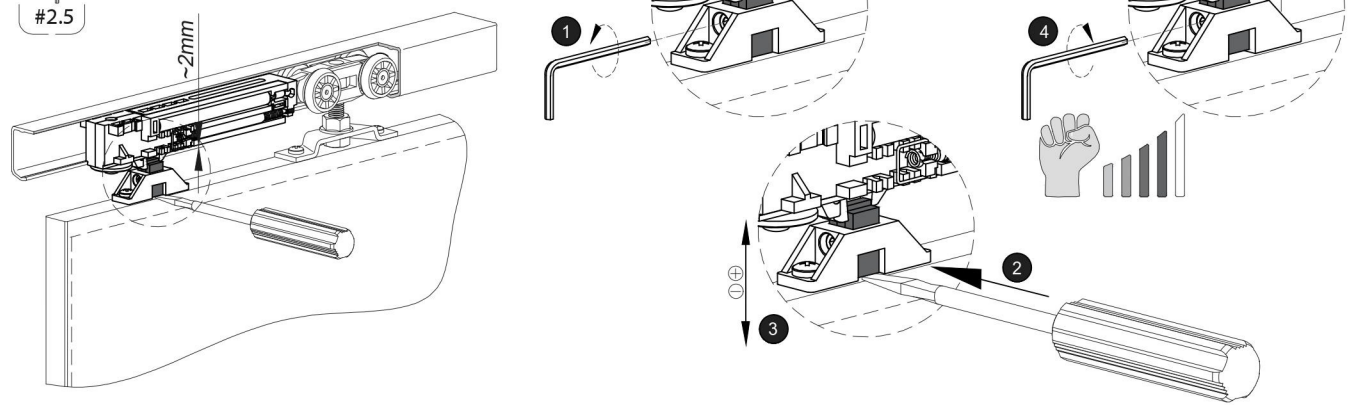
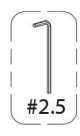
4



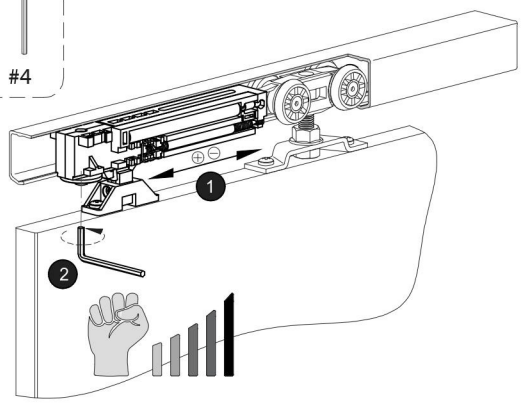
5



7



8



9

