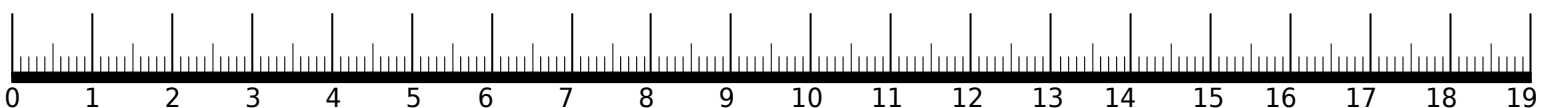
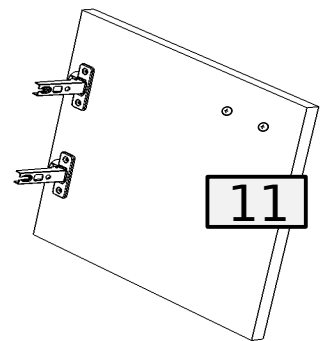
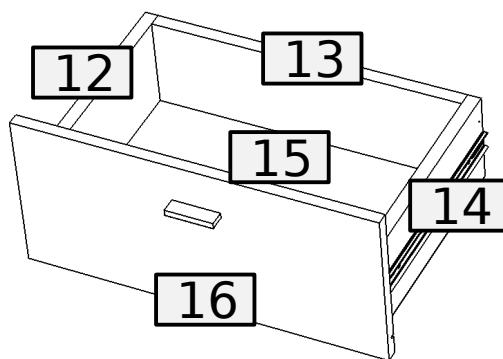
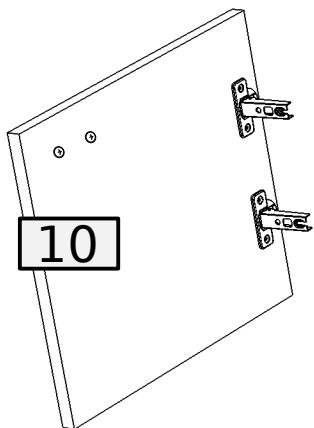
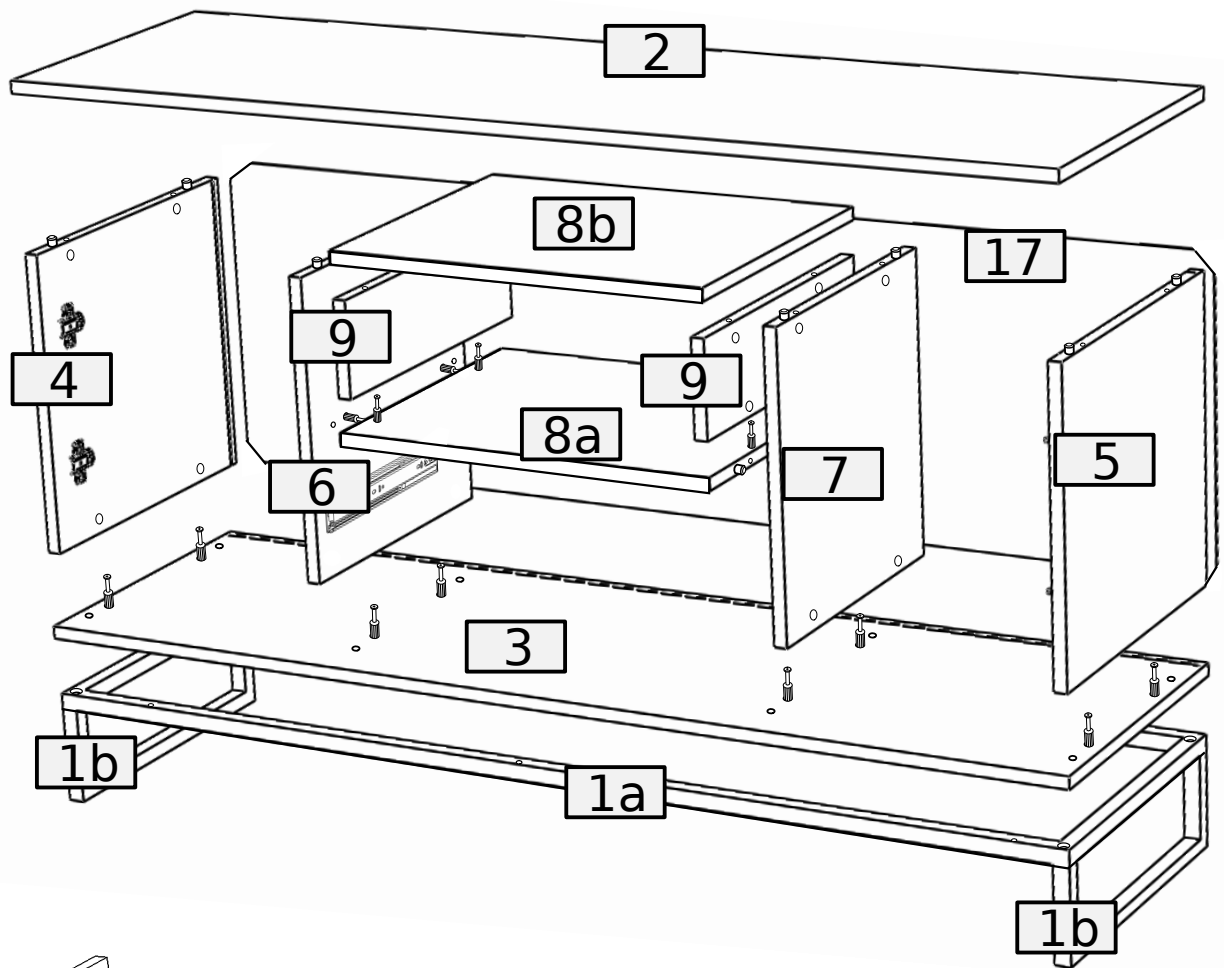


32	32	28	16	4	6	12	6
B	A	8.0x35	D 3.5x16	PZ	G	I	G4
20	1	4	6	4	3	1	
X	L-350	PK 3.0x20	W1 3.5x25	Z	UO	T2	
1	4	6					
U1	US 4.0x35	W11					

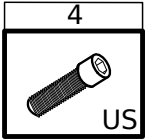
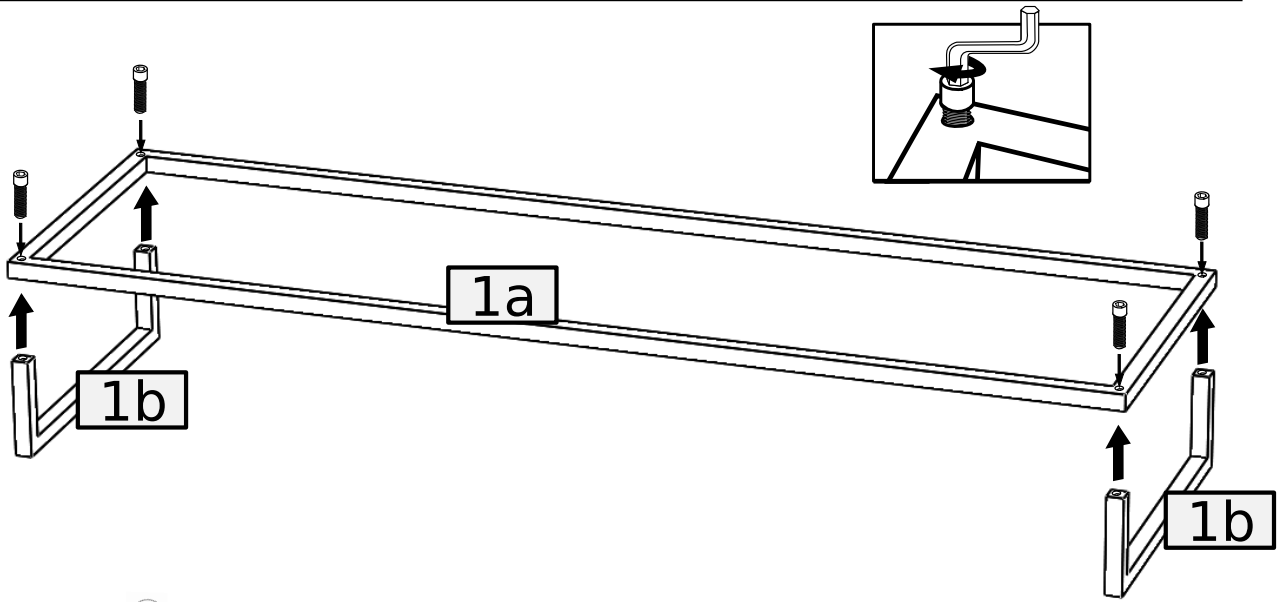




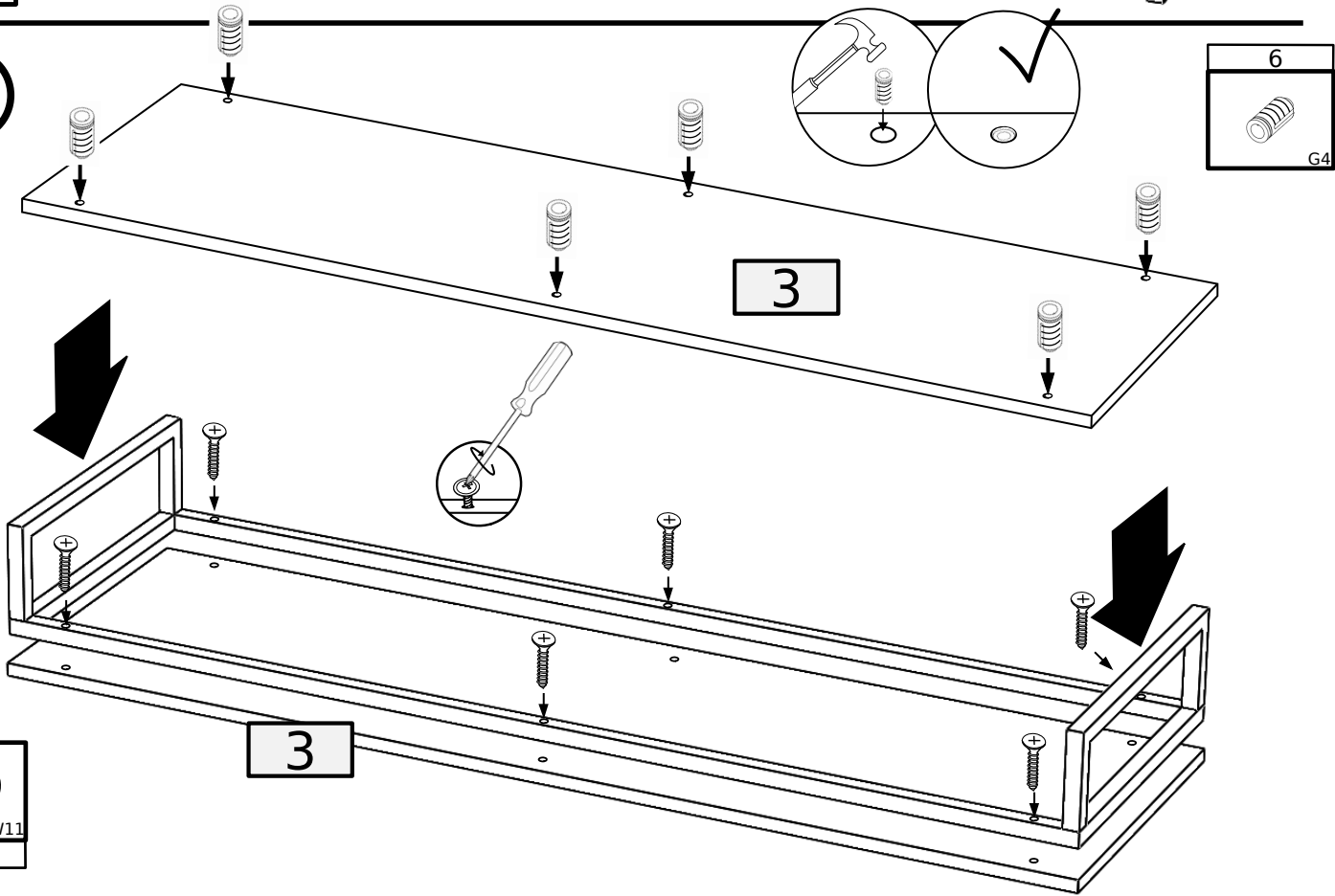
No.	Pcs.	L	W	D	Pac
1a	1	1345	395	20	1/2
1b	1	395	140	20	1/2
2	1	1350	400	16	1/2
3	1	1350	400	16	1/2
4	1	398	377	16	1/2
5	1	398	377	16	1/2
6	1	360	377	16	2/2
7	1	360	377	16	2/2
8a	1	486	379	16	2/2
8b	1	486	379	16	2/2

No.	Pcs.	L	W	D	Pac
9	2	378	119	16	1/2
10	1	409	373	16	2/2
11	1	409	373	16	2/2
12	1	350	160	16	1/2
13	1	428	142	16	2/2
14	1	350	160	16	1/2
15	1	443	357	3	2/2
16	1	490	220	16	2/2
17	1	1330	391	3	1/2

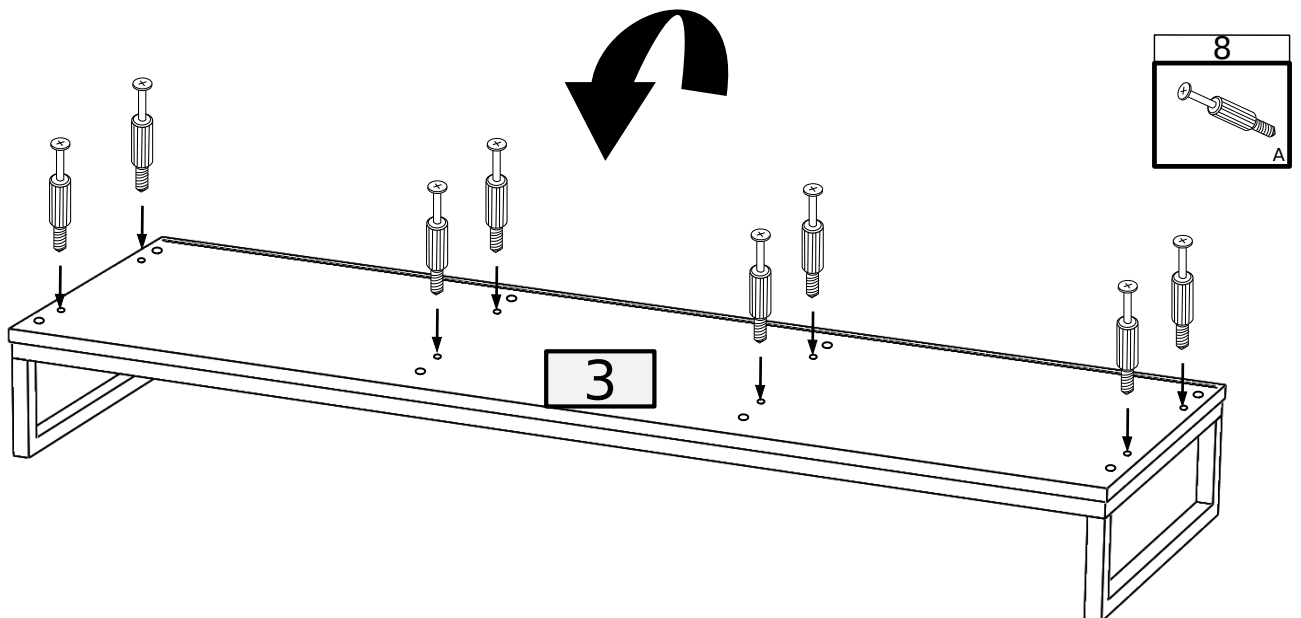
1



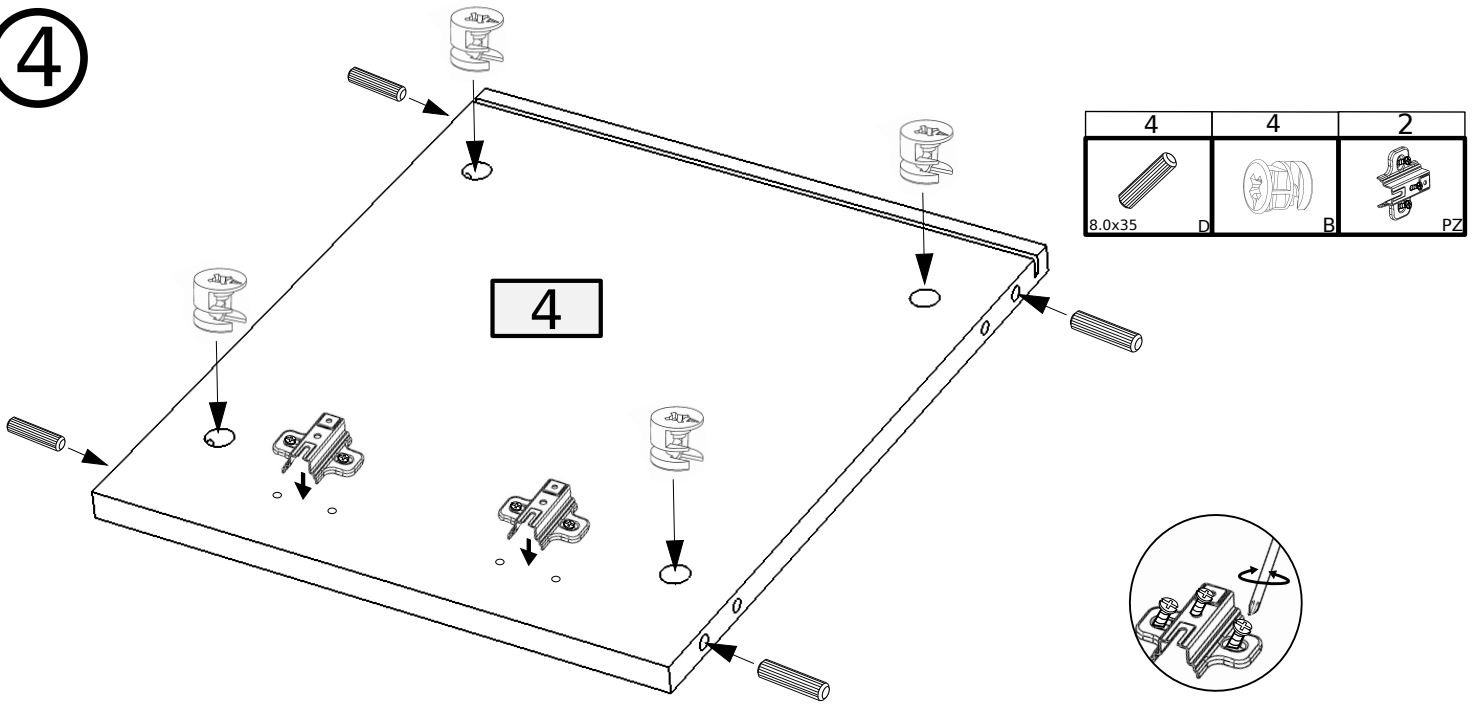
2



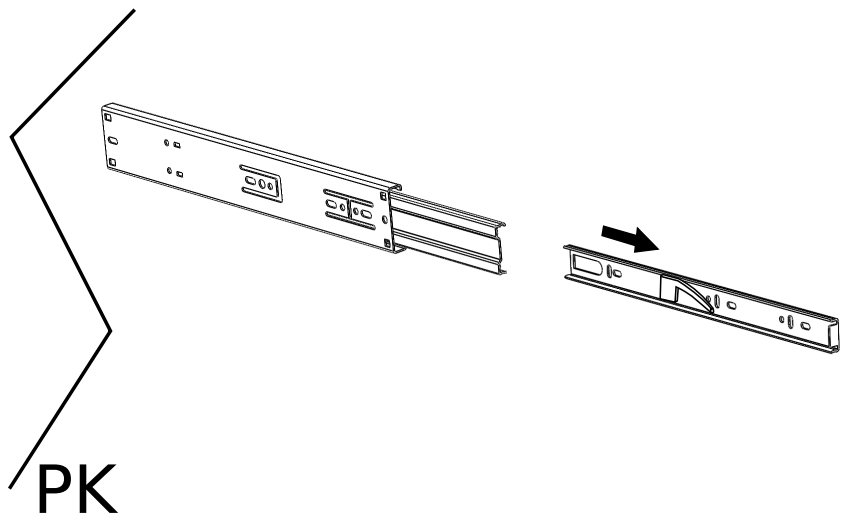
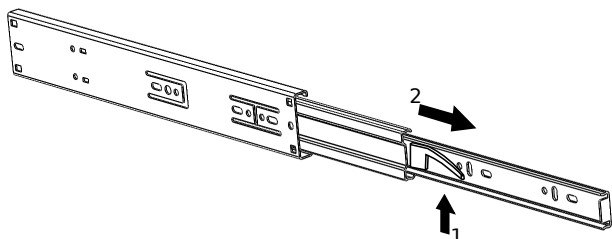
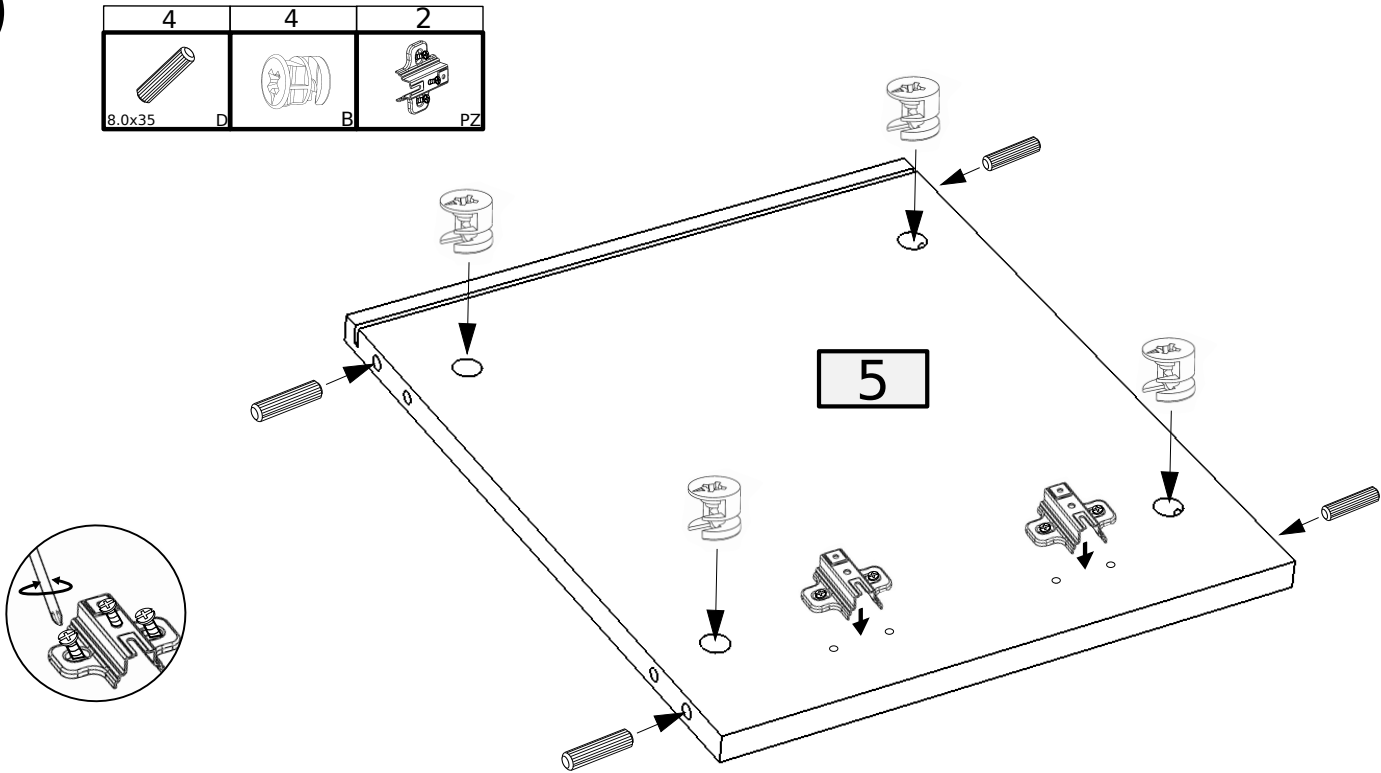
3



4



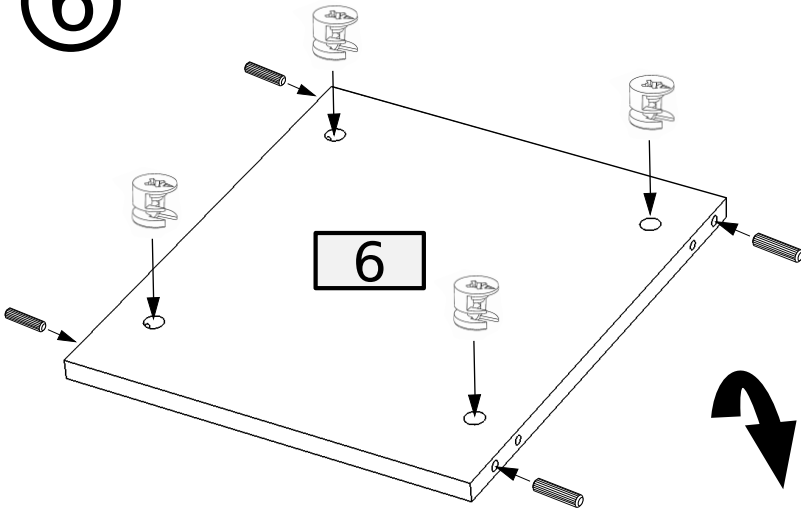
5



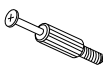




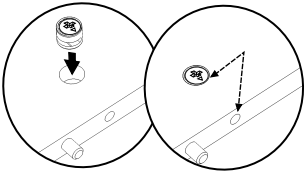
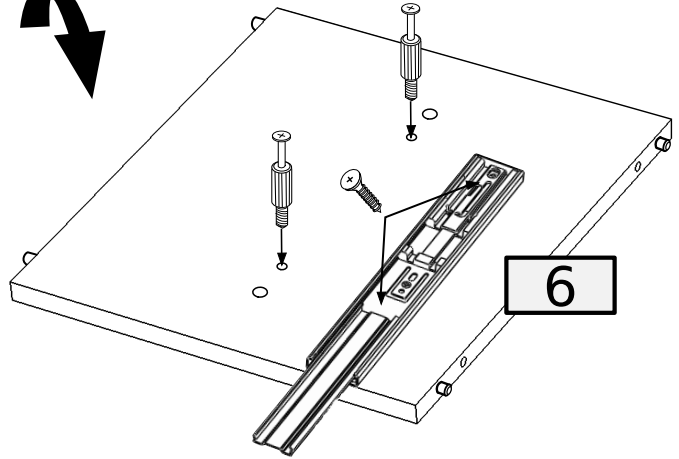
x2

PK



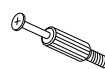
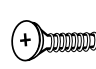

6

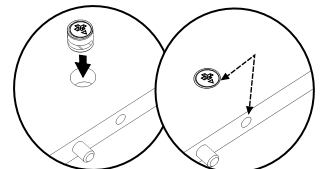
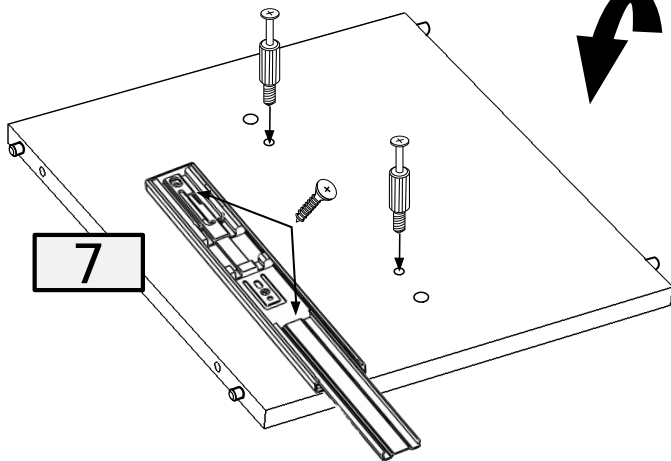
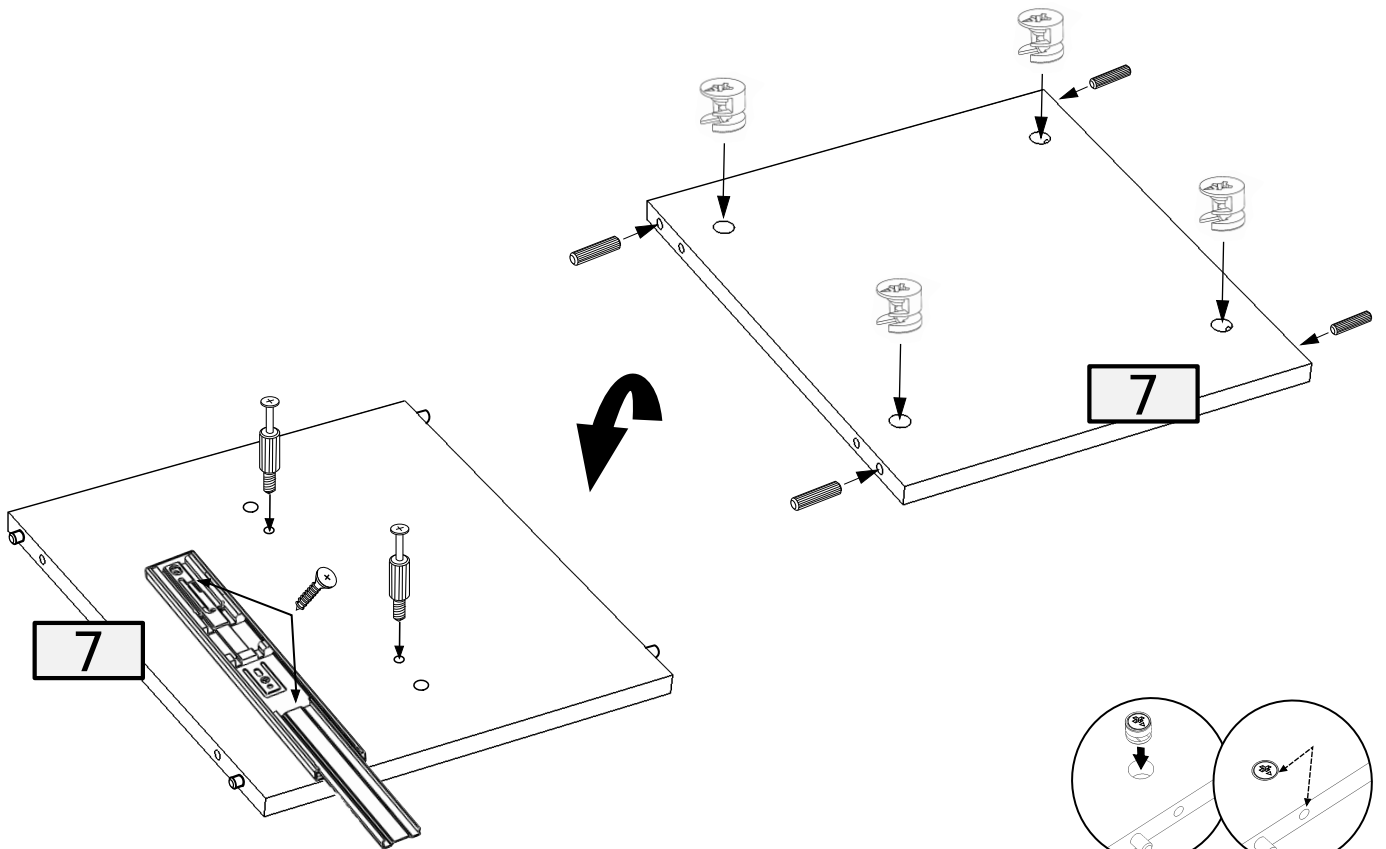


4	4	2	2	1
				
8.0x35	D	B	A 3.5x16 W2	PK

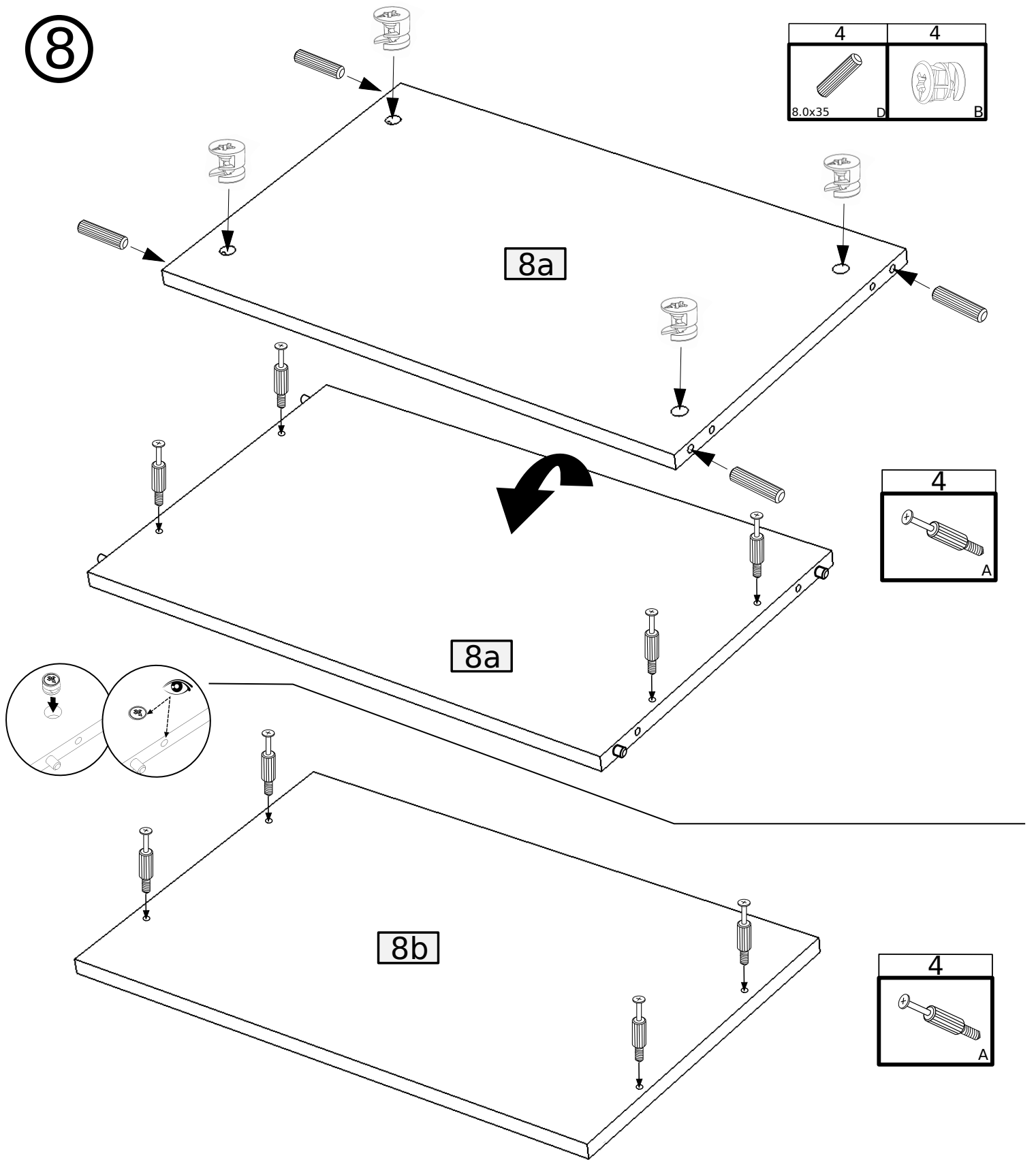


7

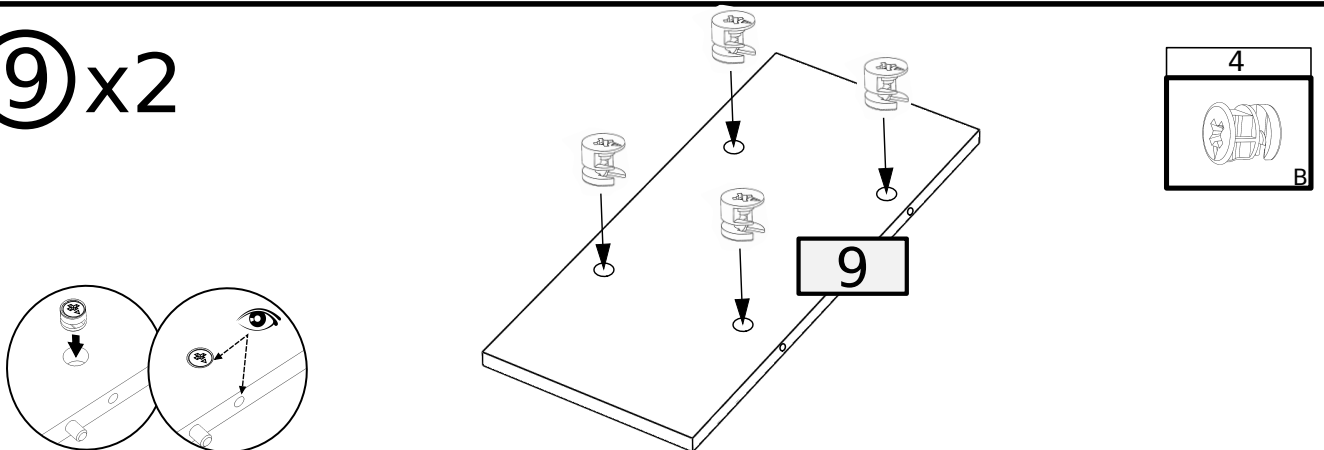
4	4	2	2	1
				
8.0x35	D	B	A 3.5x16 W2	PK



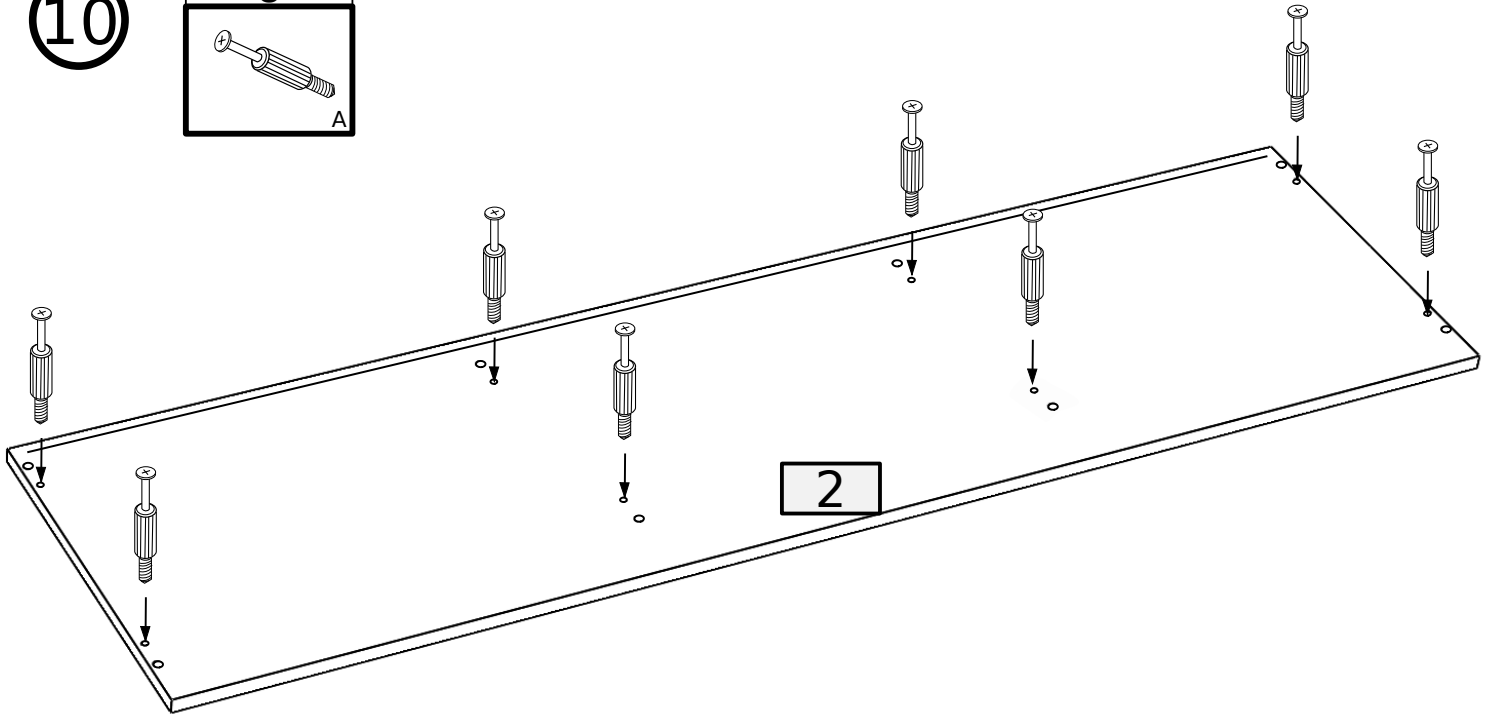
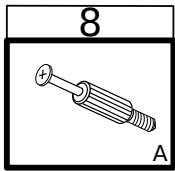
8



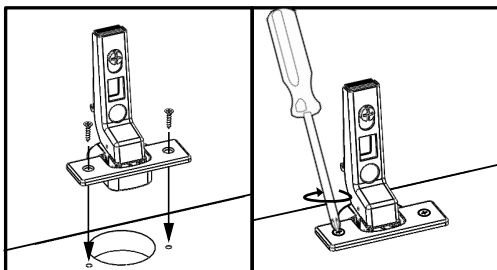
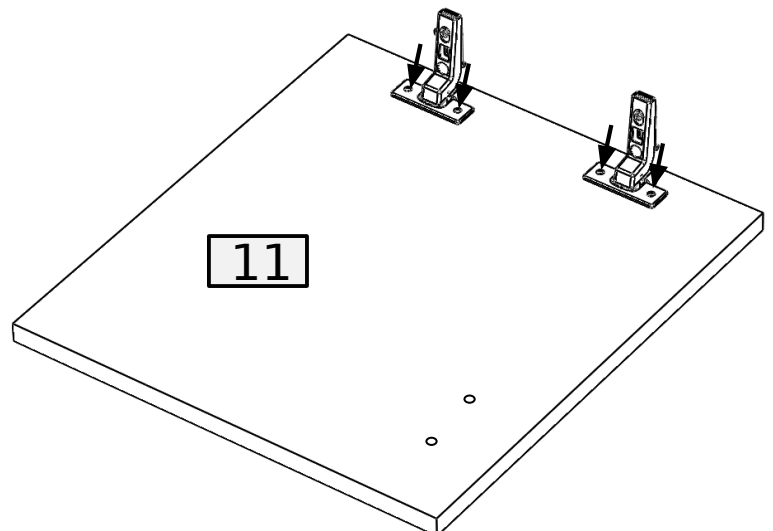
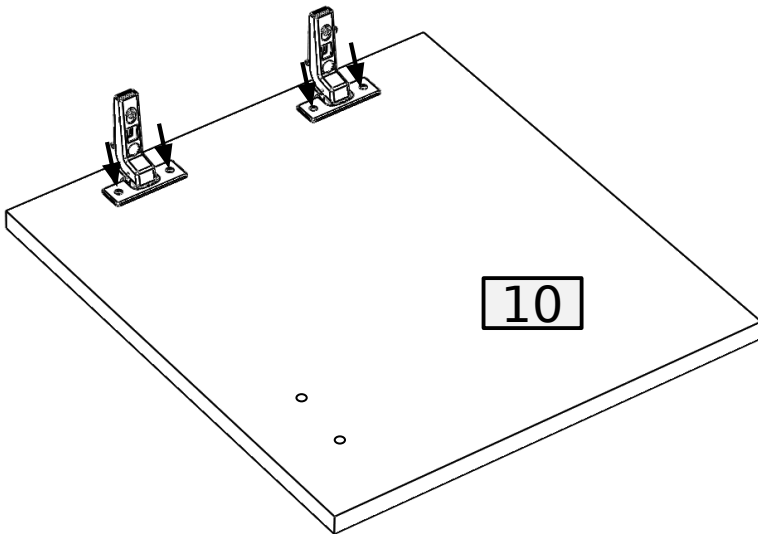
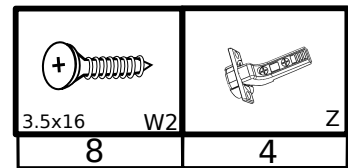
9 x 2



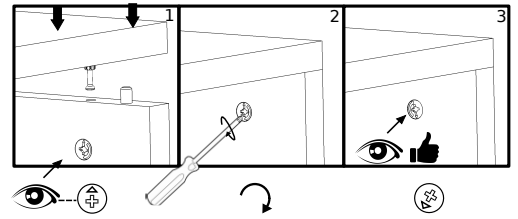
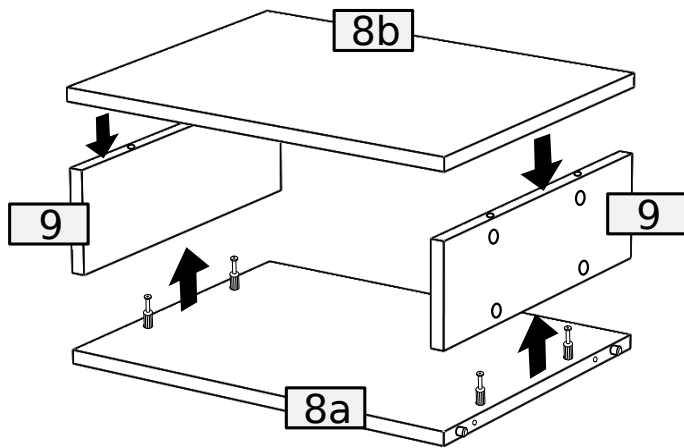
10



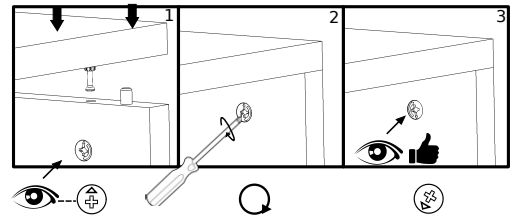
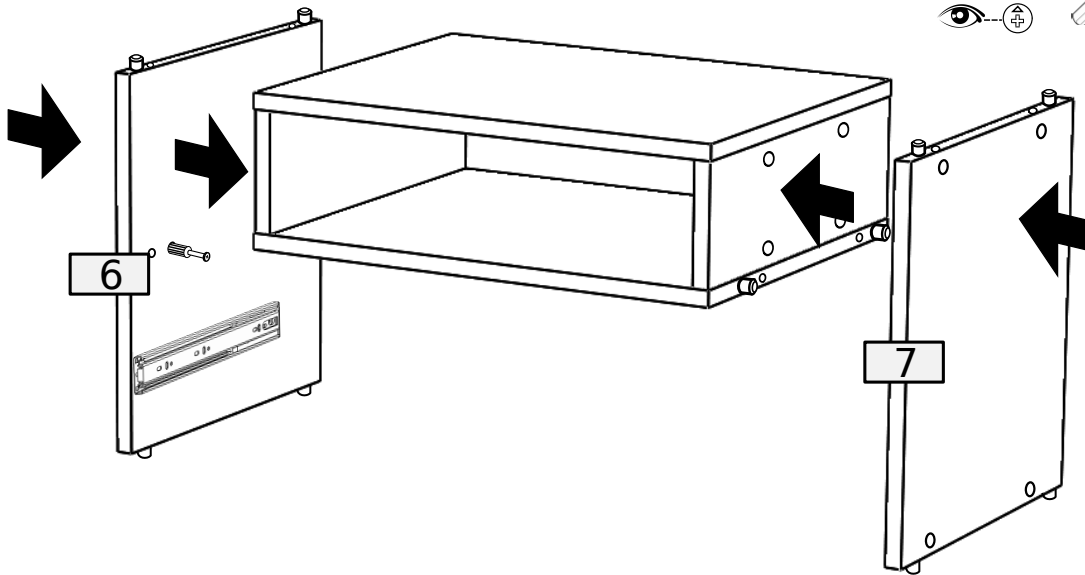
11



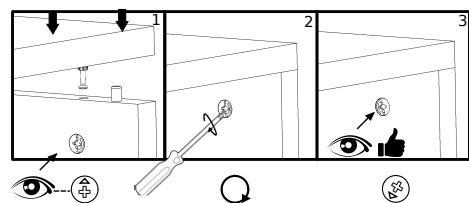
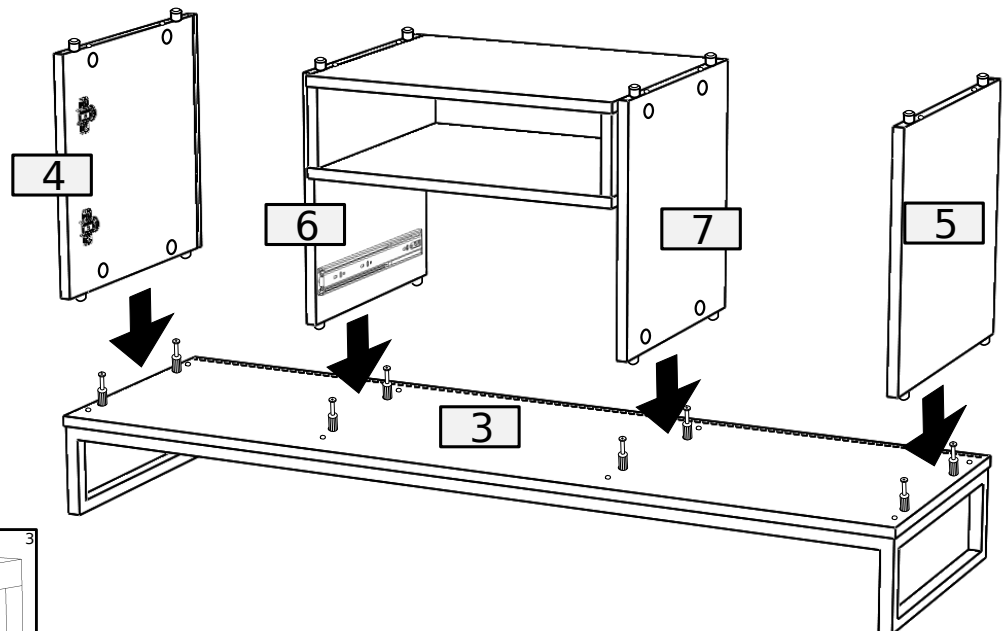
12



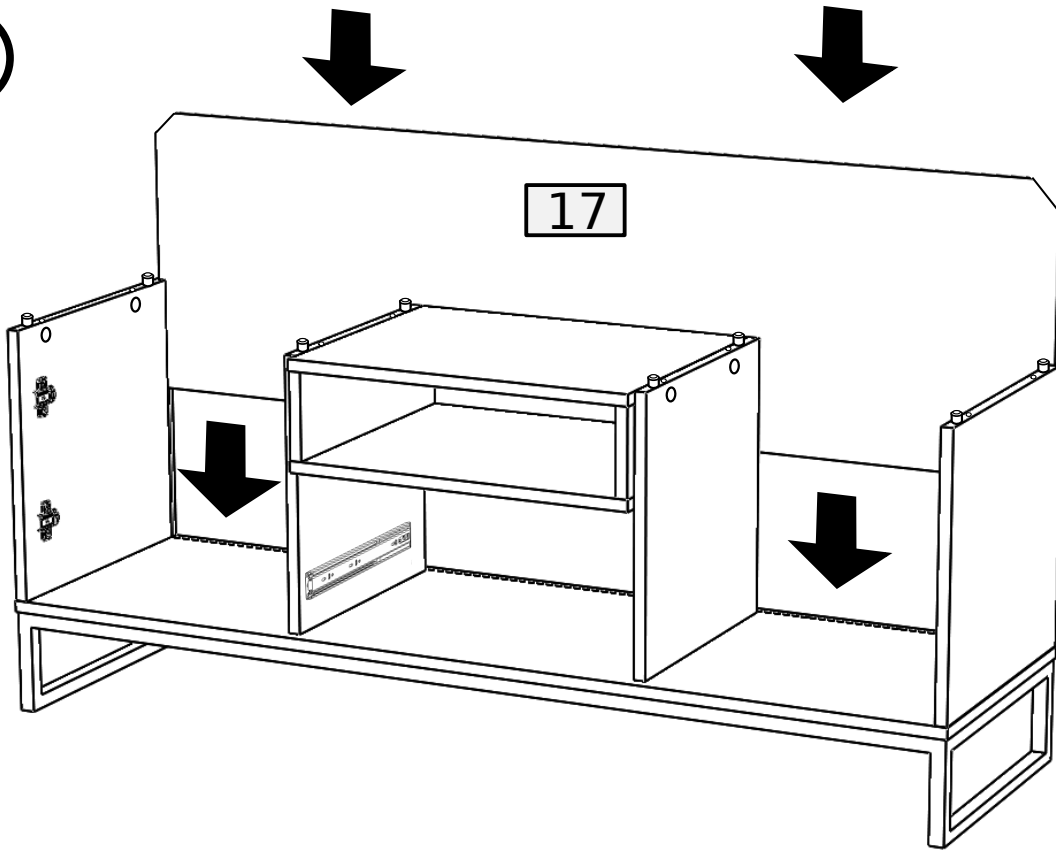
13



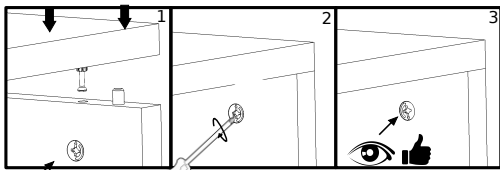
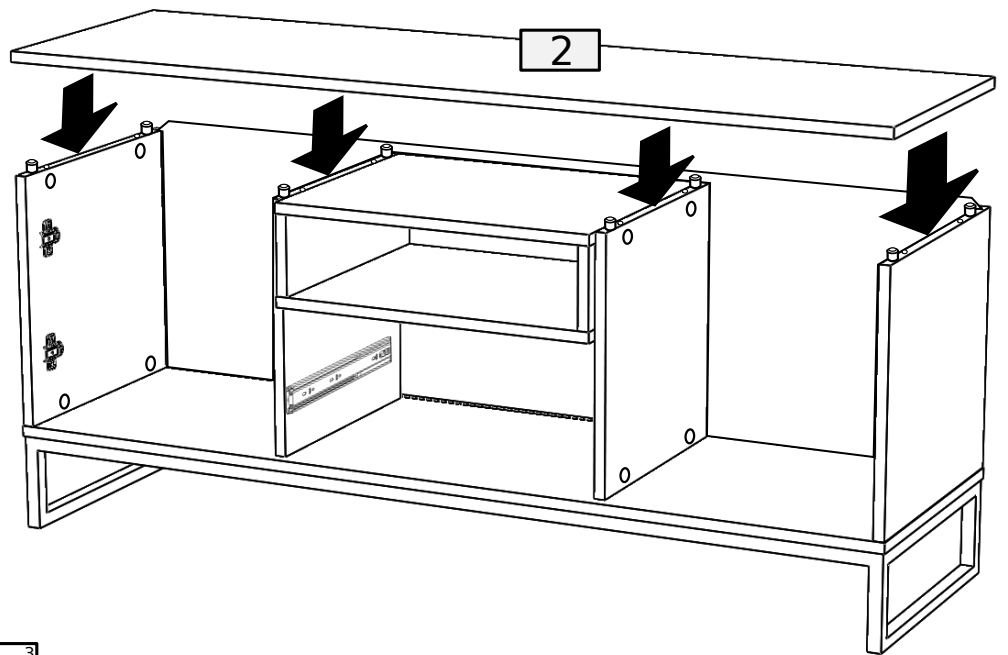
14



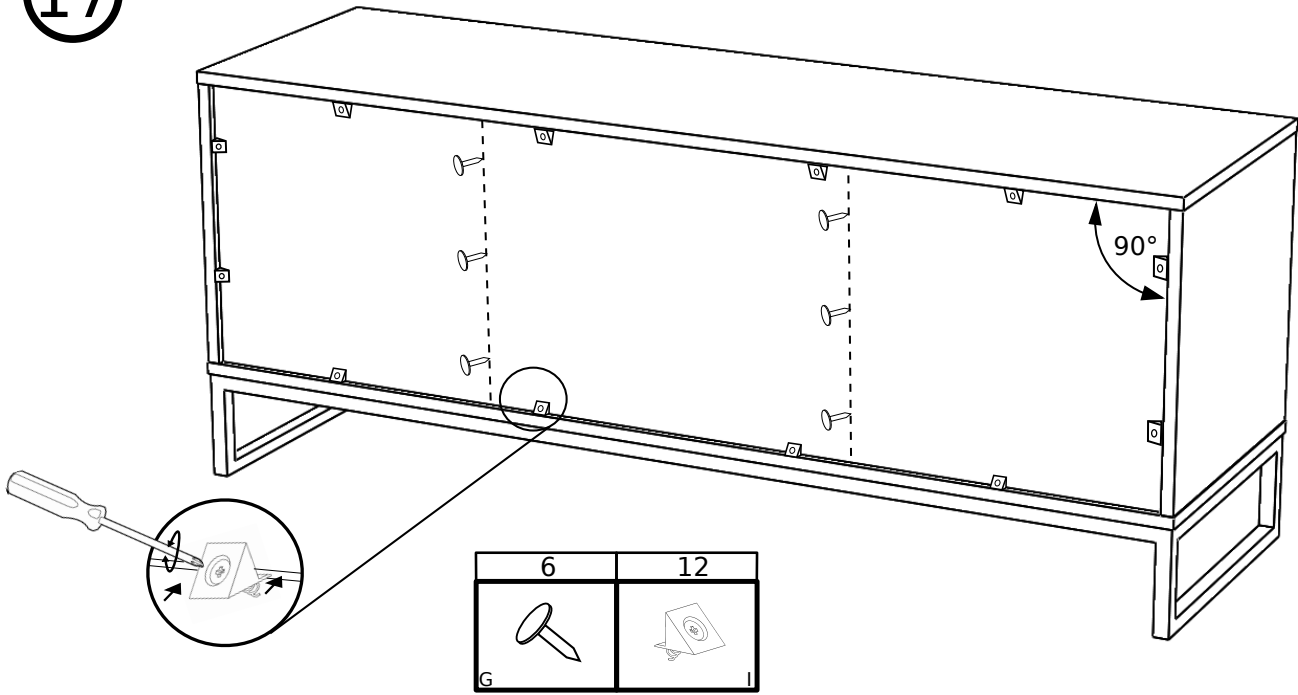
15



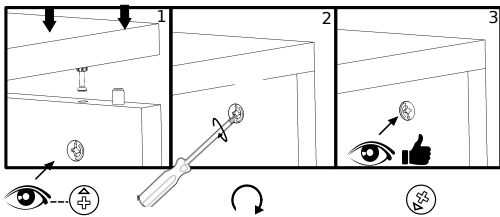
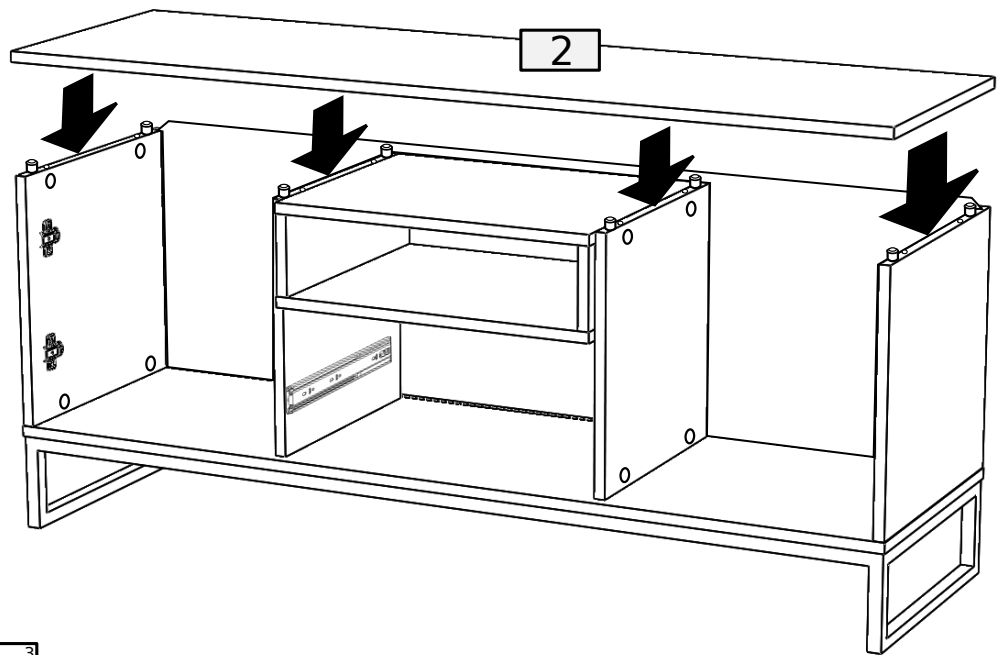
16



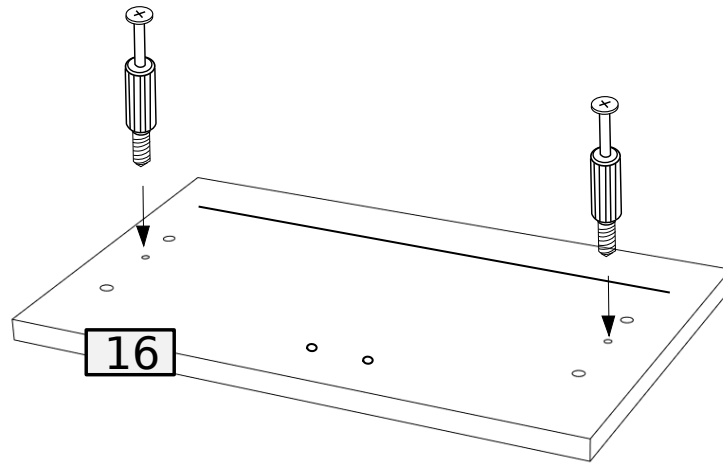
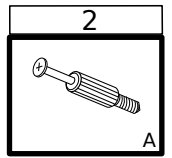
17



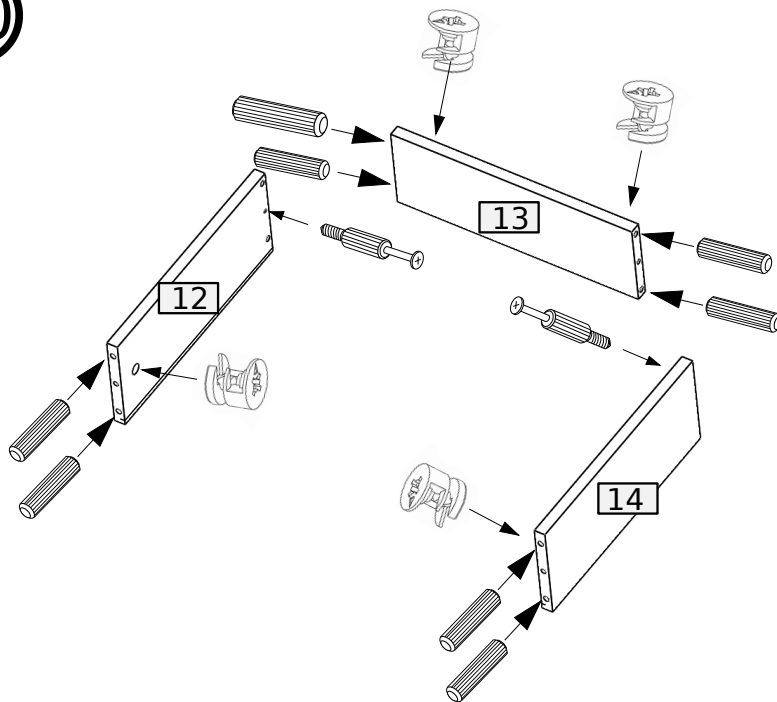
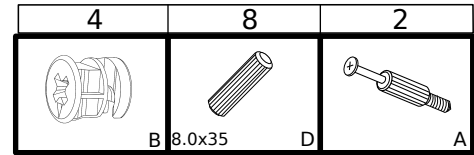
18



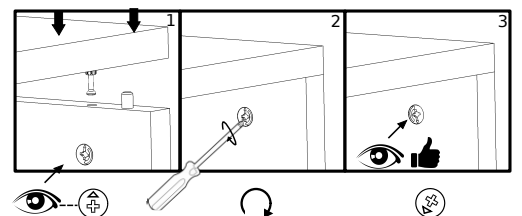
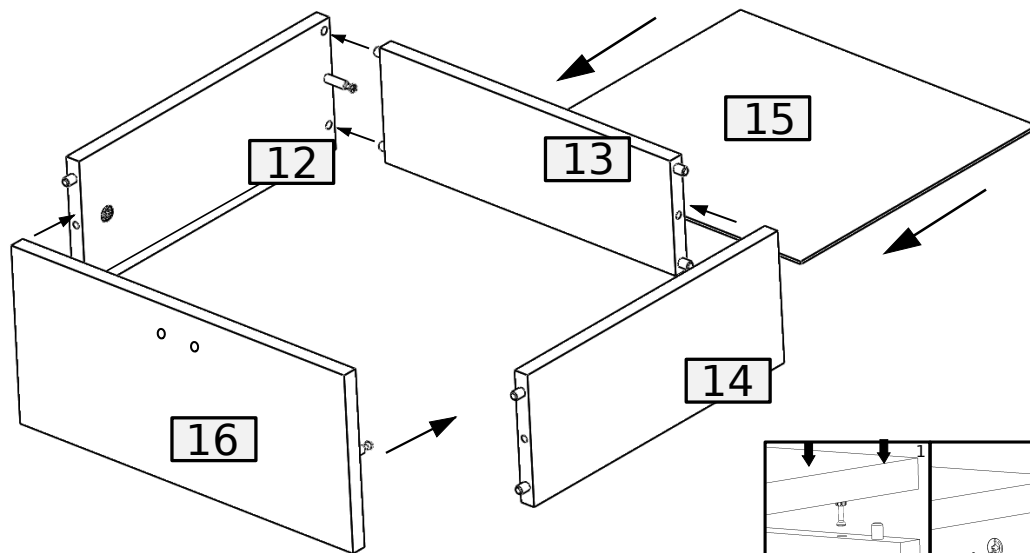
19



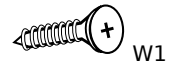
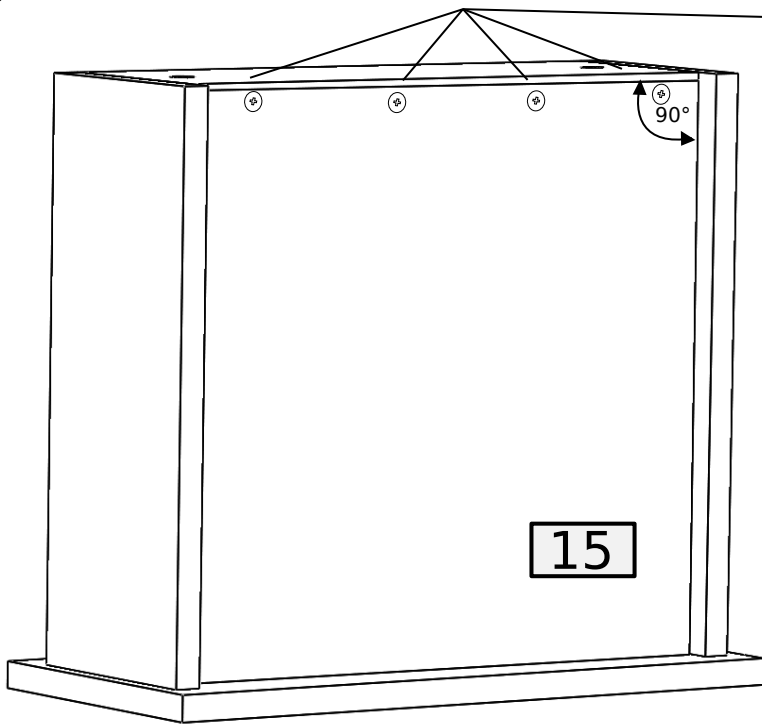
20




21

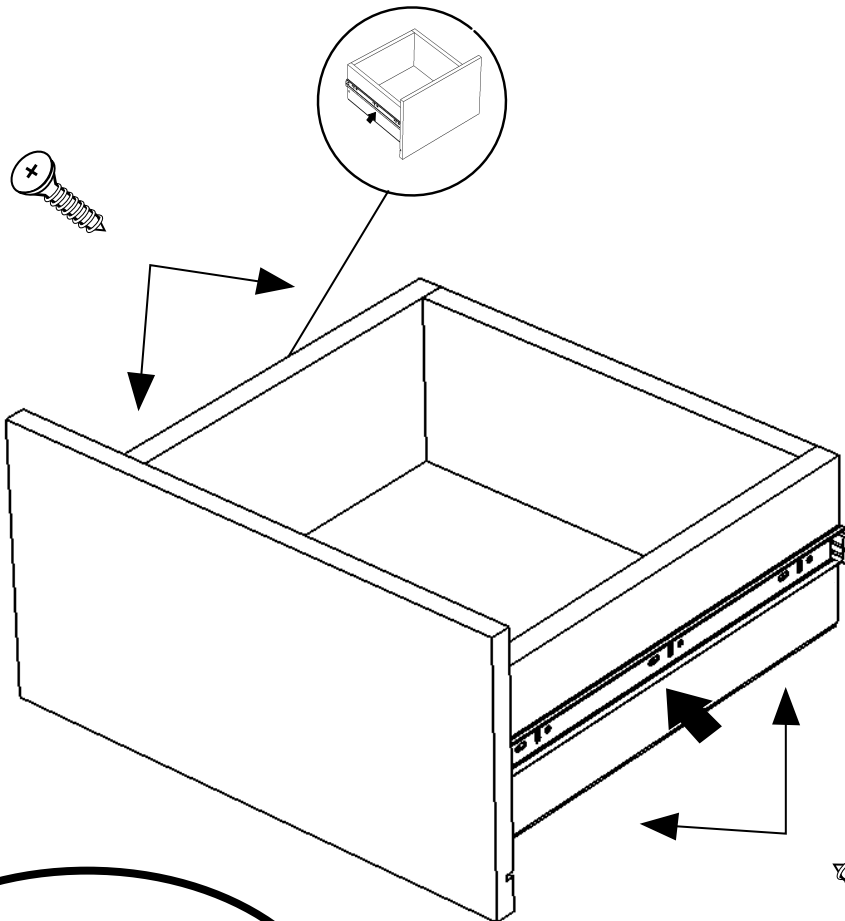




22

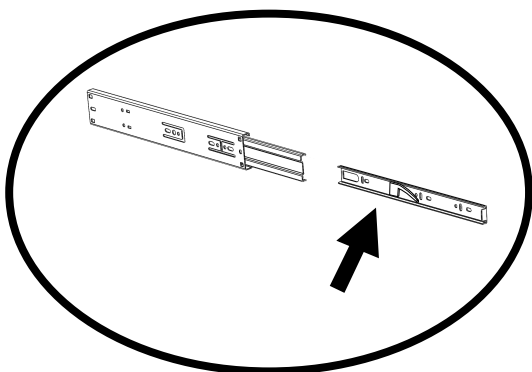


4	
	
3.0x20	W1

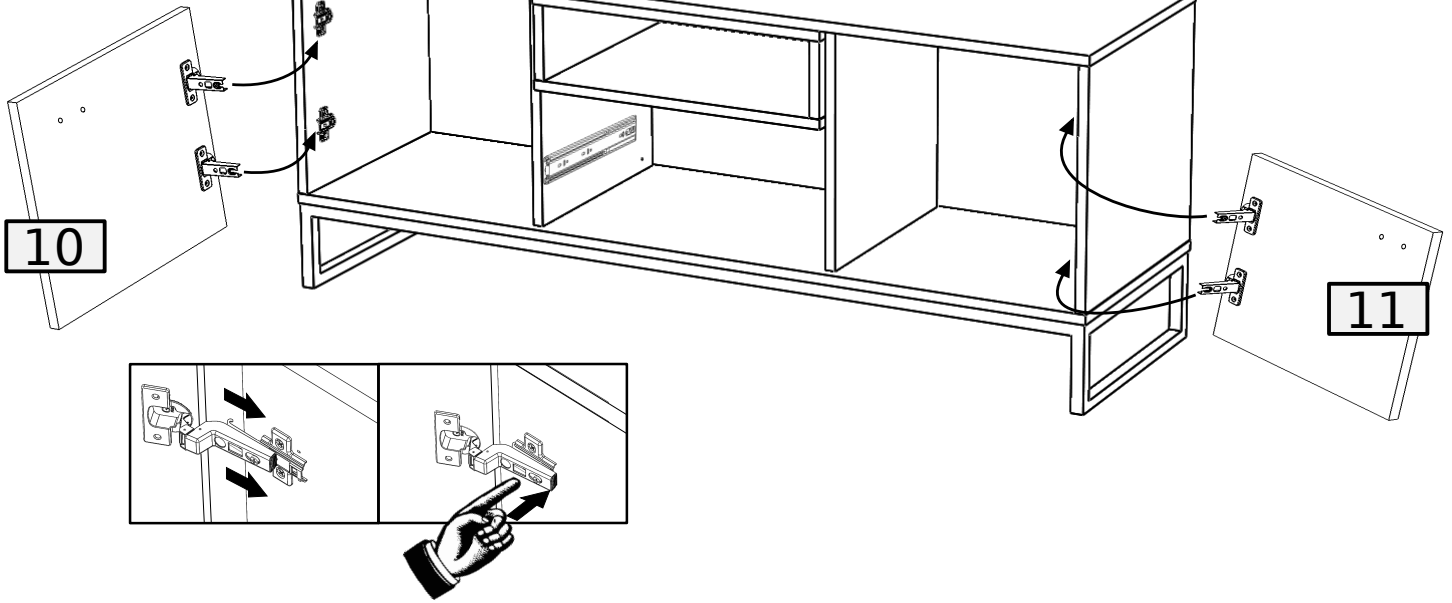
23



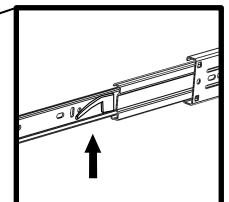
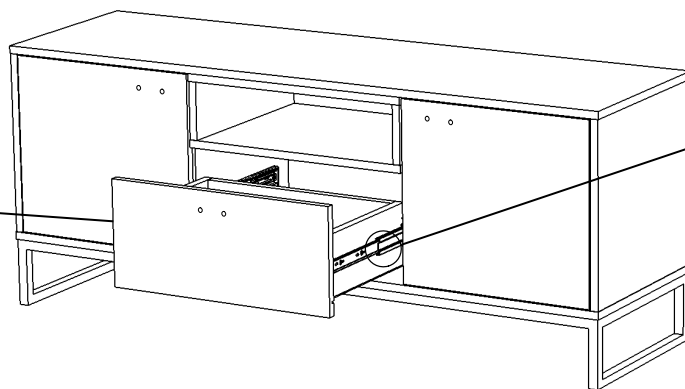
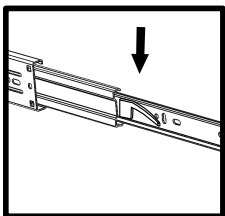
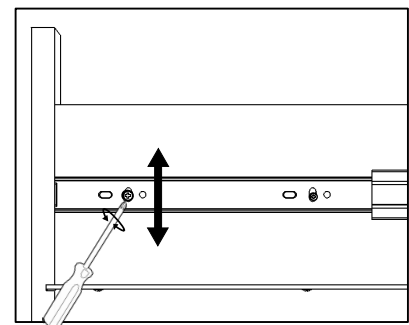
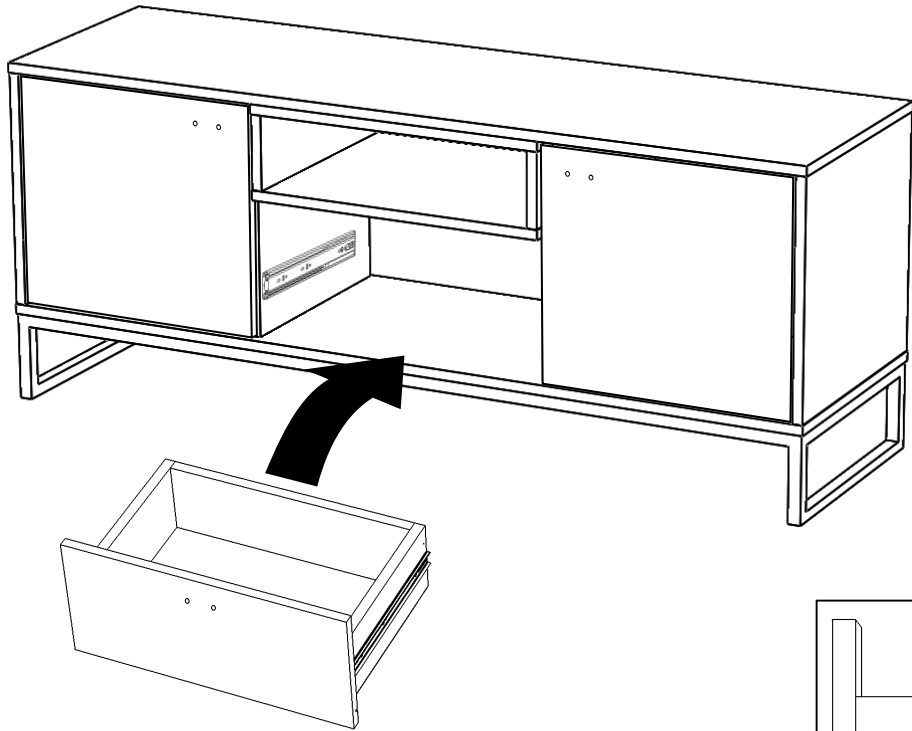
2	4
	
PK 3.5x16	W2



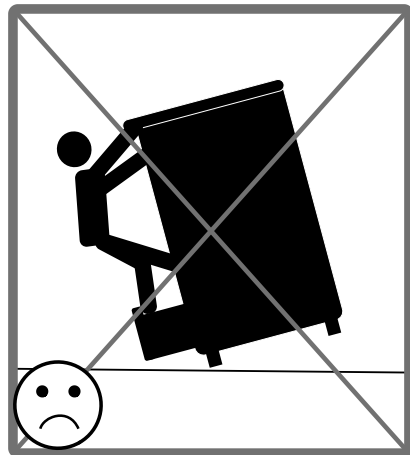
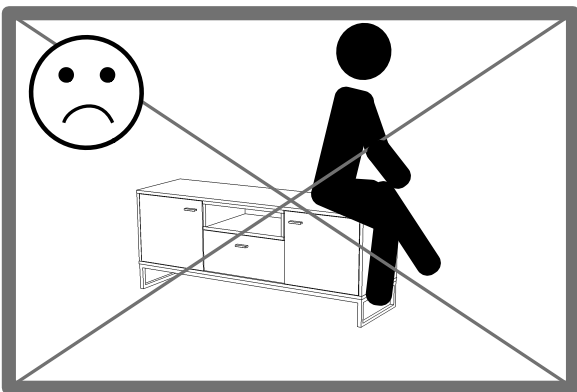
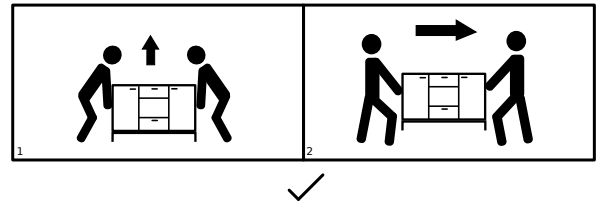
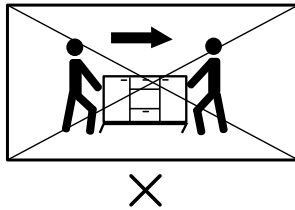
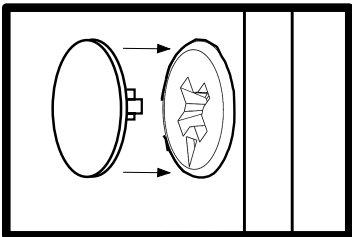
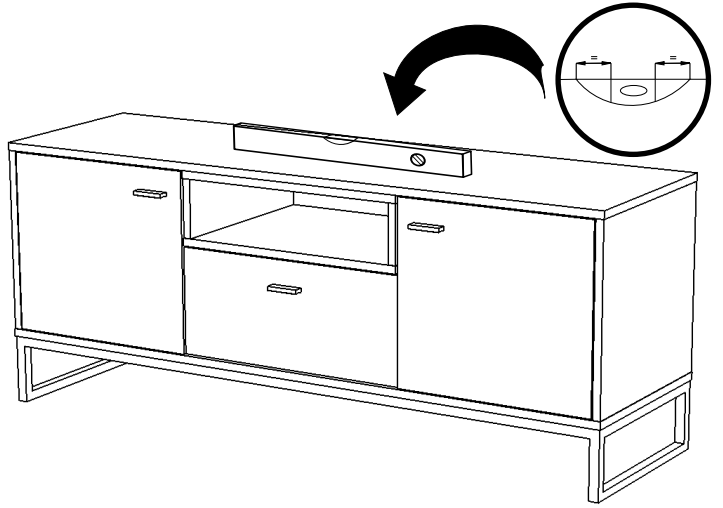
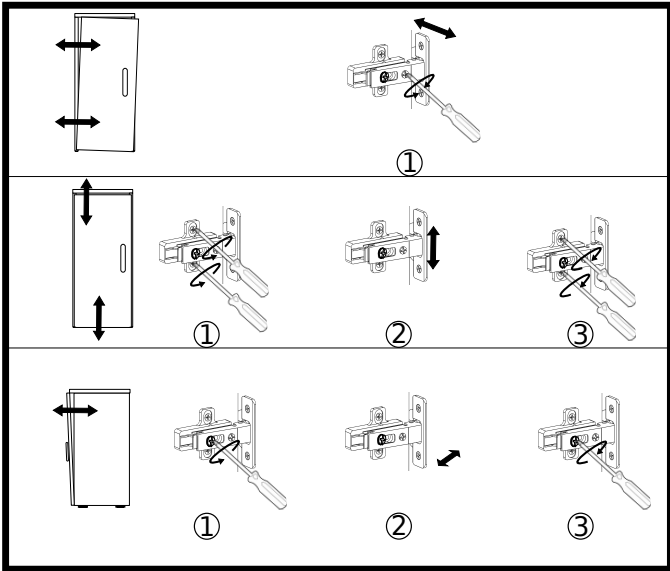
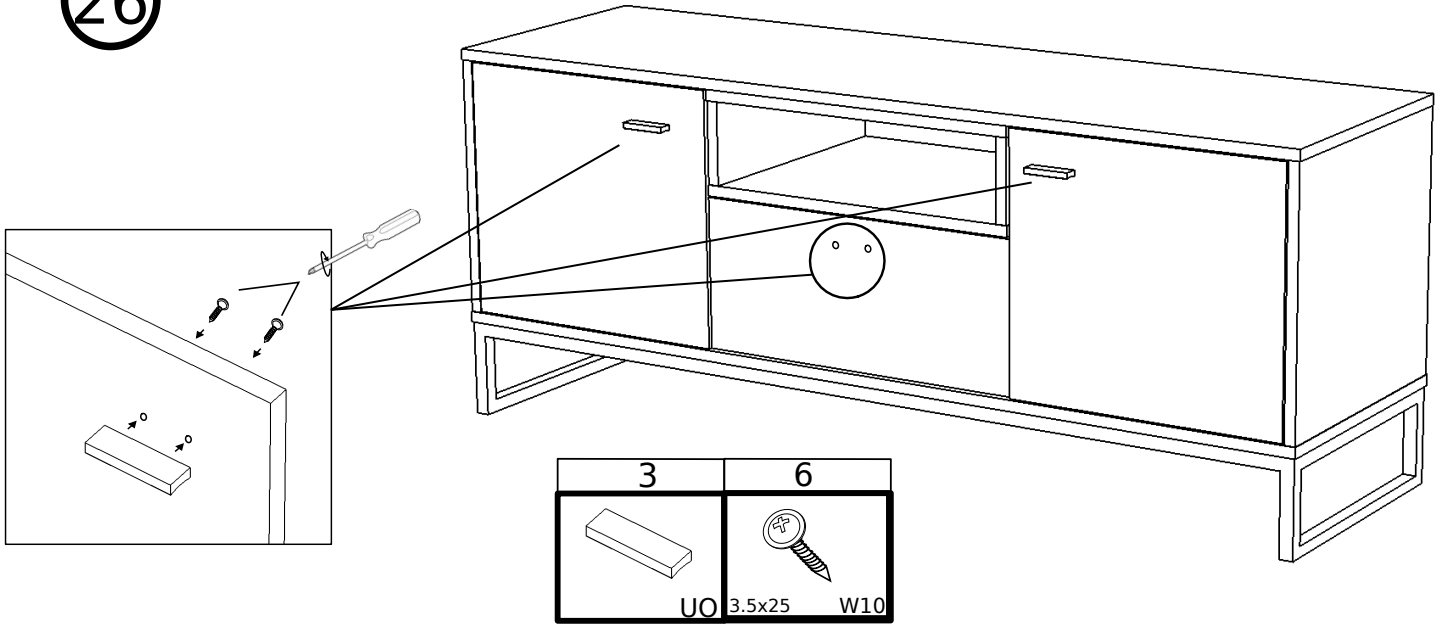
24



25



26



27

