
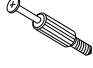
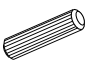
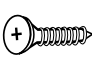






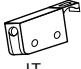
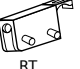


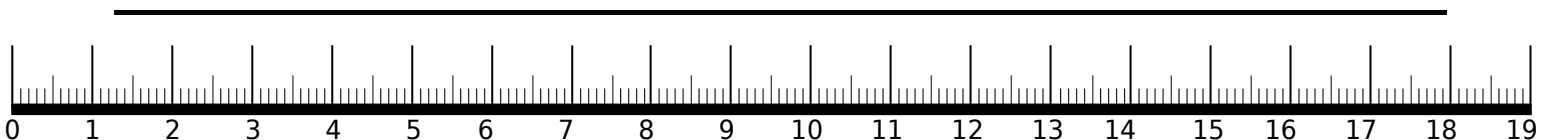
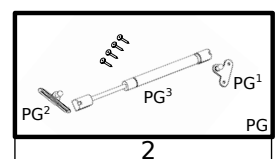
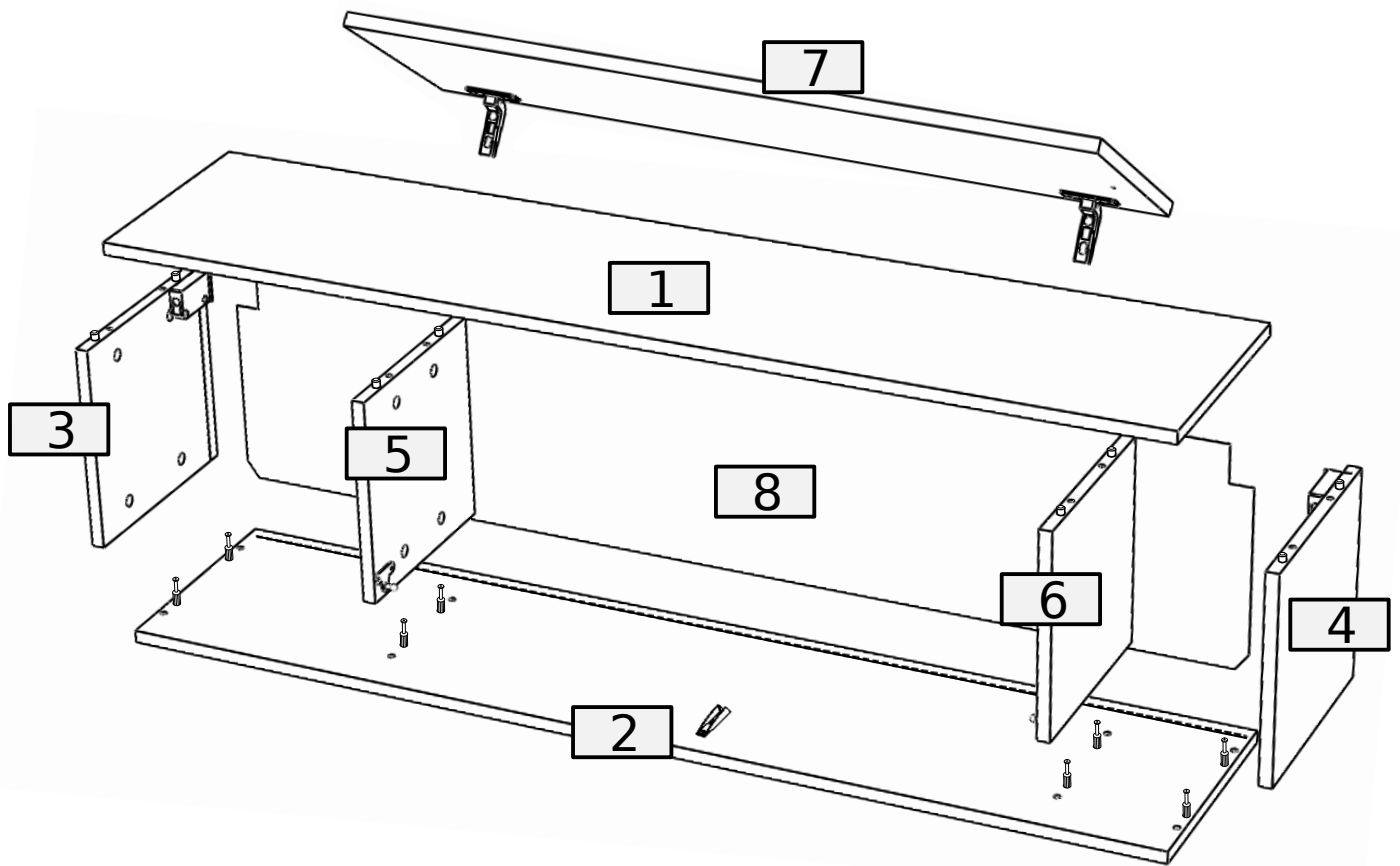
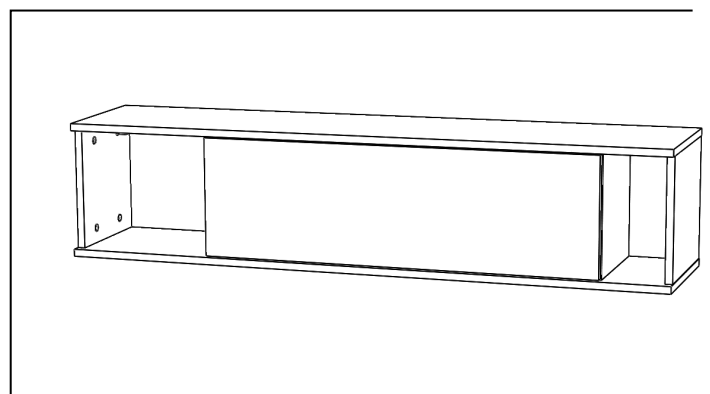


16	16	16	4	2	6	8
						
B	A 8.0x35		D 3.5x16 W2	PZ G		I
						
X	Z	PTS	LT W	RT W	4.0x30 W8	WI
16	2	1	1	1	4	2



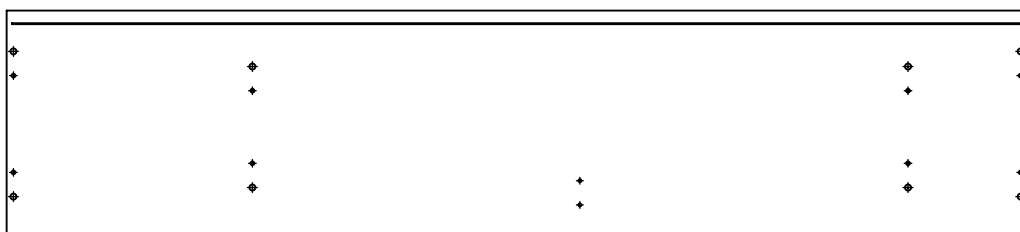


No.	Pcs.	L	W	D	Pac
1	1	1350	300	16	1/1
2	1	1350	300	16	1/1
3	1	280	268	16	1/1
4	1	280	268	16	1/1
5	1	260	268	16	1/1
6	2	260	268	16	1/1
7	1	879	262	16	1/1
8	1	1330	282	3	1/1

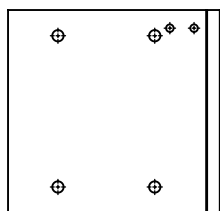




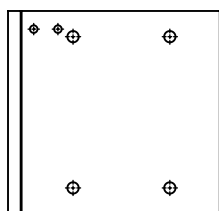
1. 1350x300x16 mm



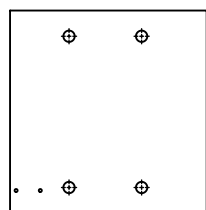
2. 1350x300x16 mm



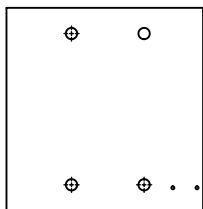
3. 280x268x16 mm



4. 280x268x16 mm



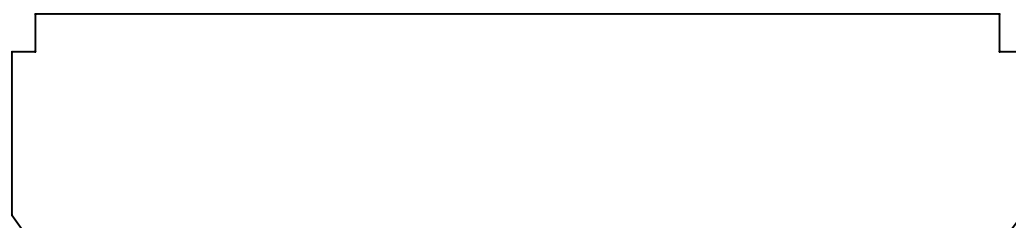
5. 260x268x16 mm



6. 260x268x16 mm



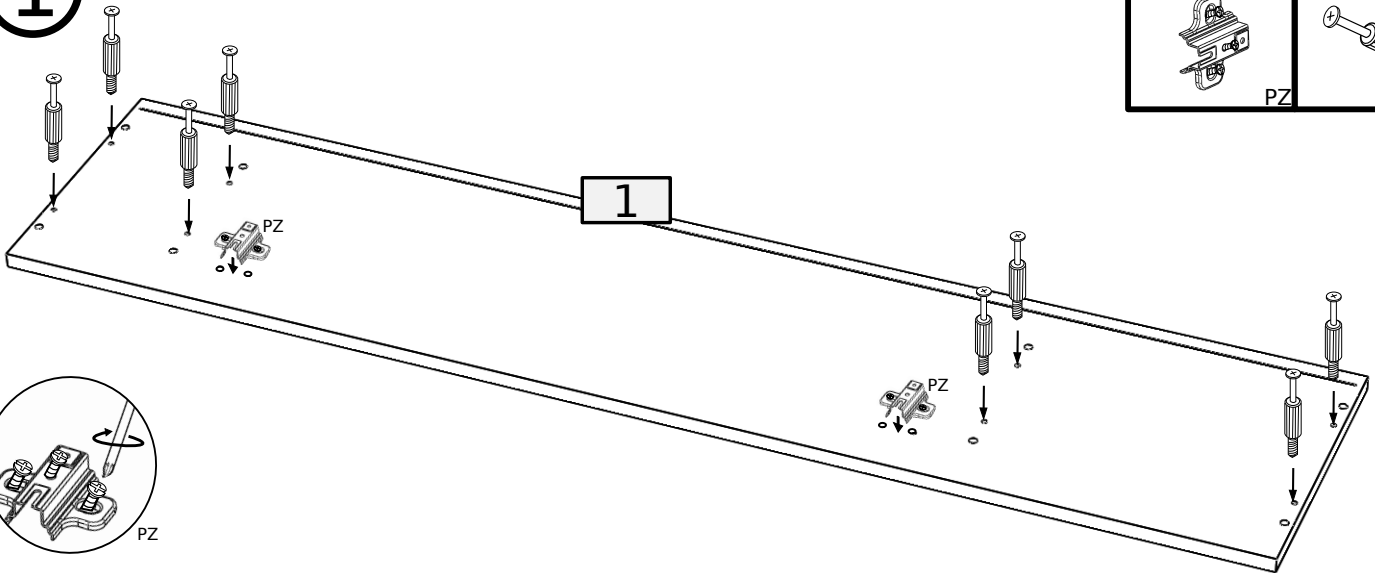
7. 879x262x16 mm



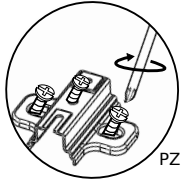
8. 1330x282x3 mm



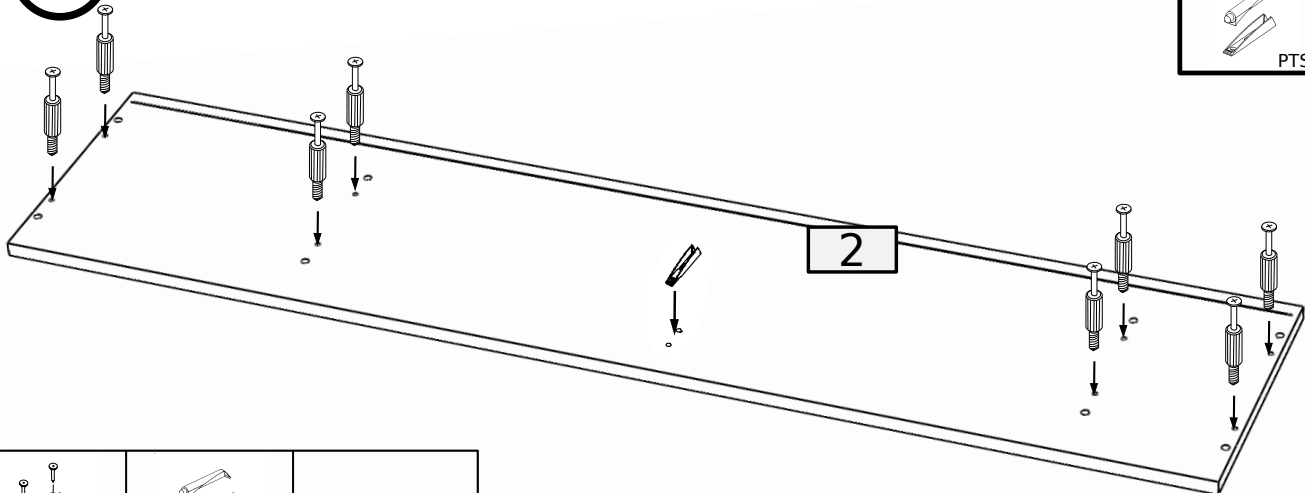
1



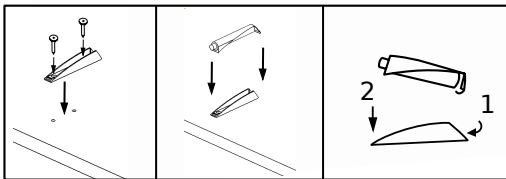
2	8
PZ	A



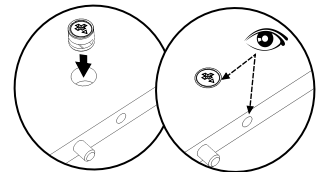
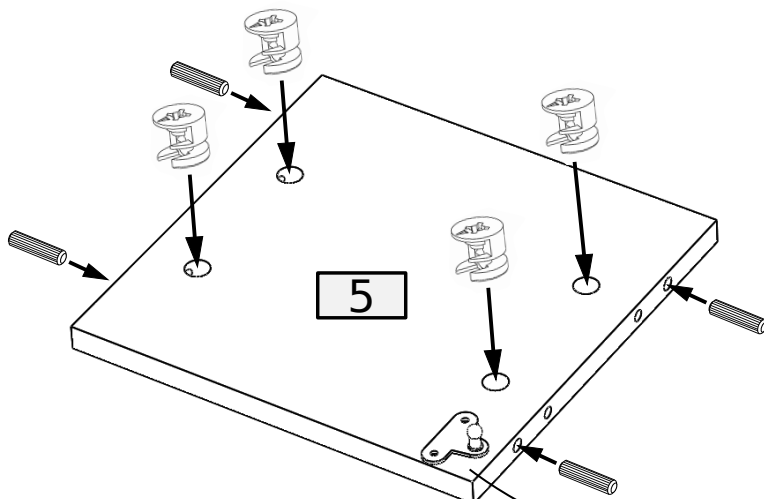
2



1	8
PTS	A

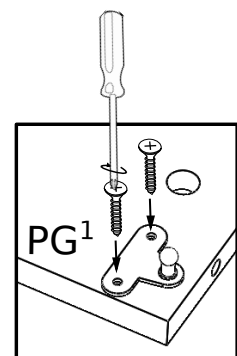


3

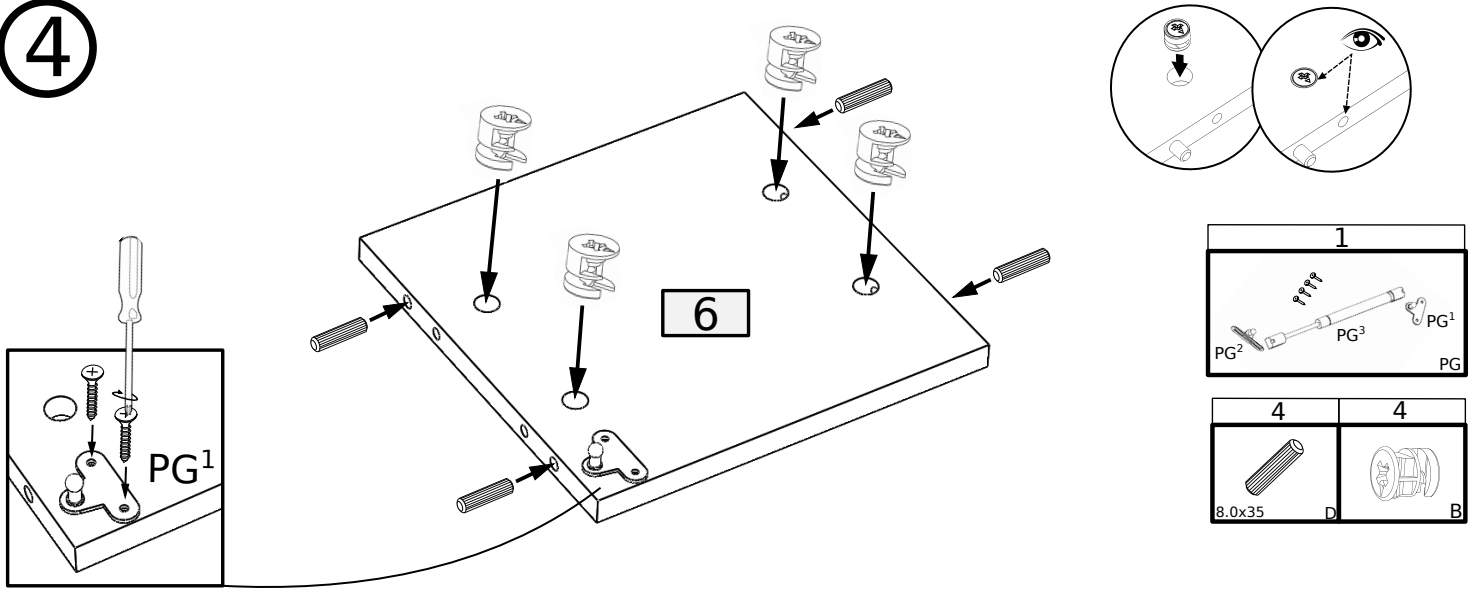


1
PG <sup>2</sup> PG <sup>3</sup> PG <sup>1</sup> PG

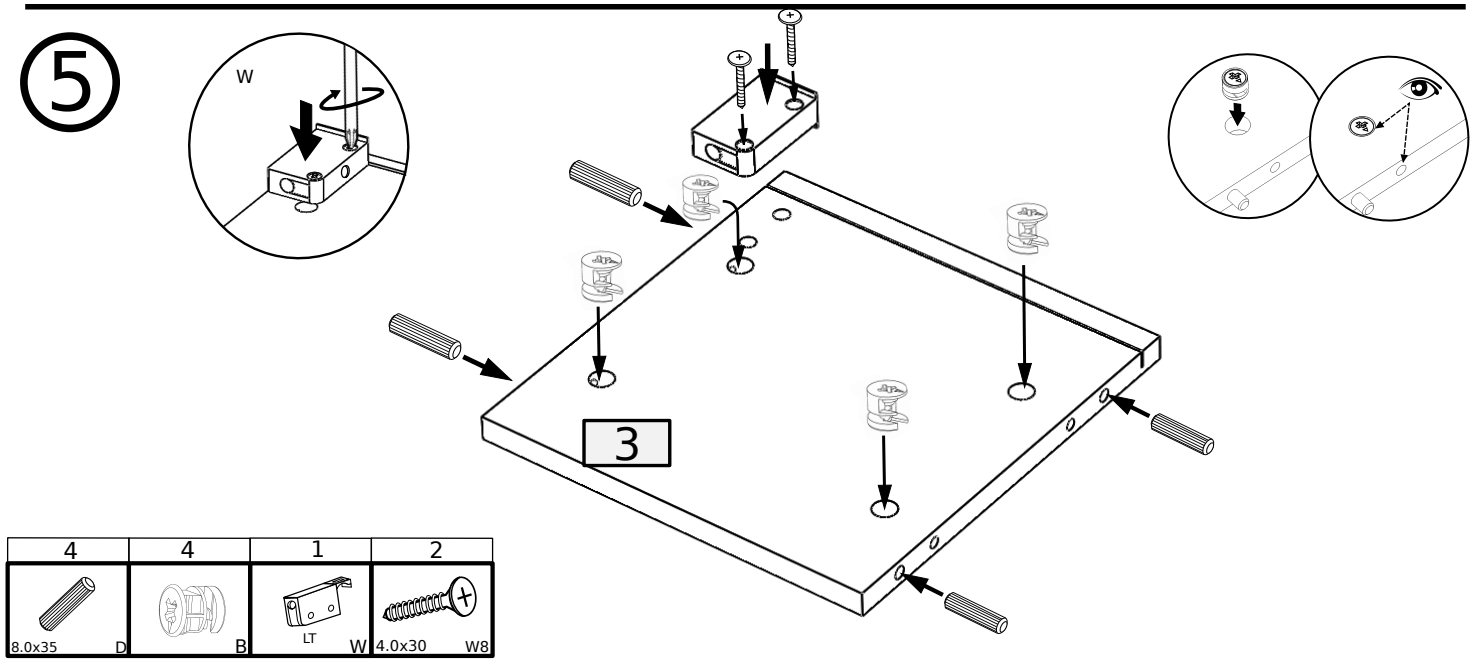
4	4
8.0x35 D	B



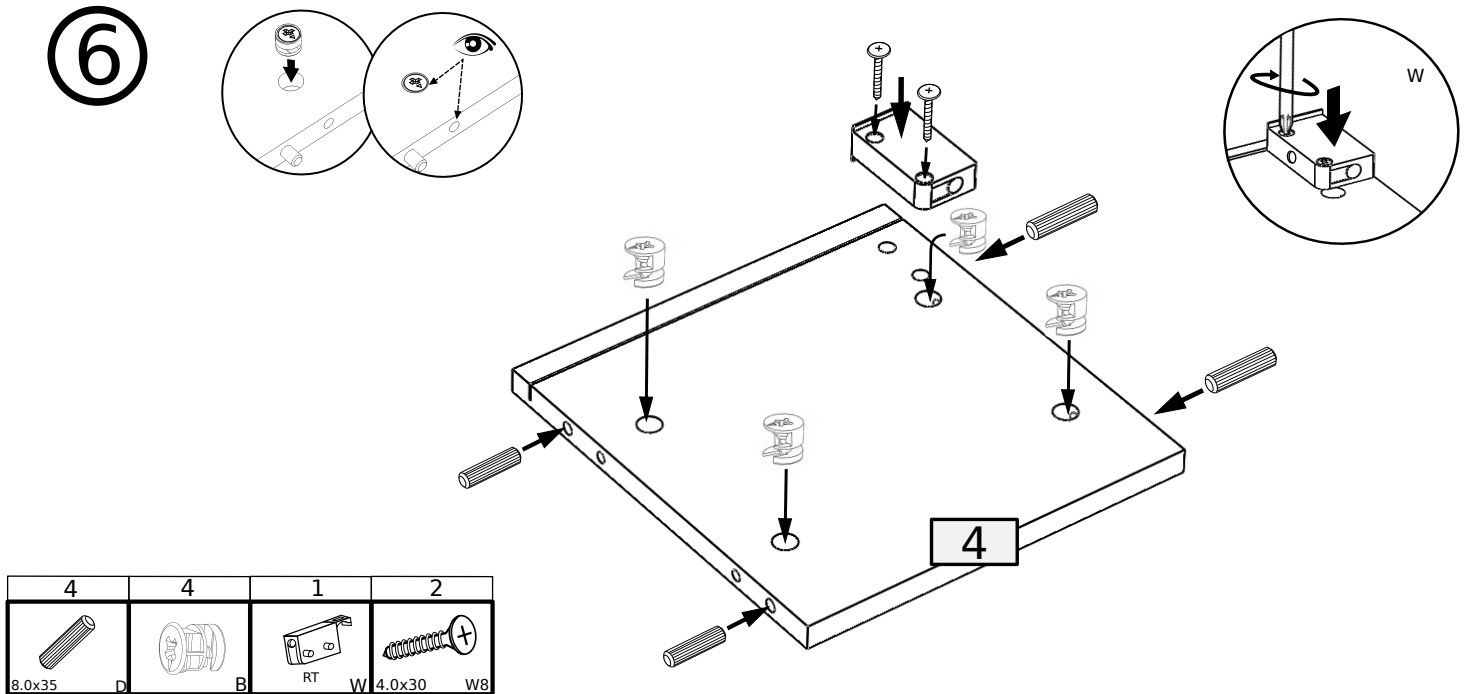
4



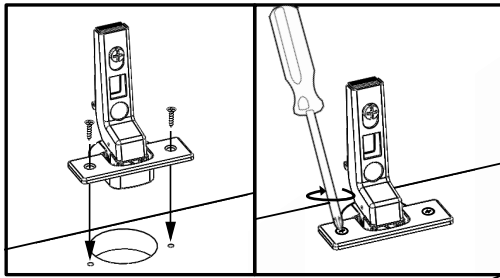
5





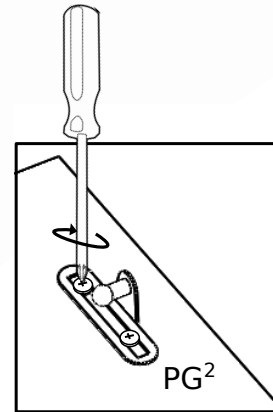
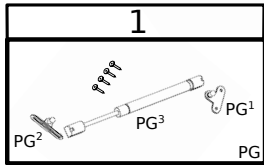
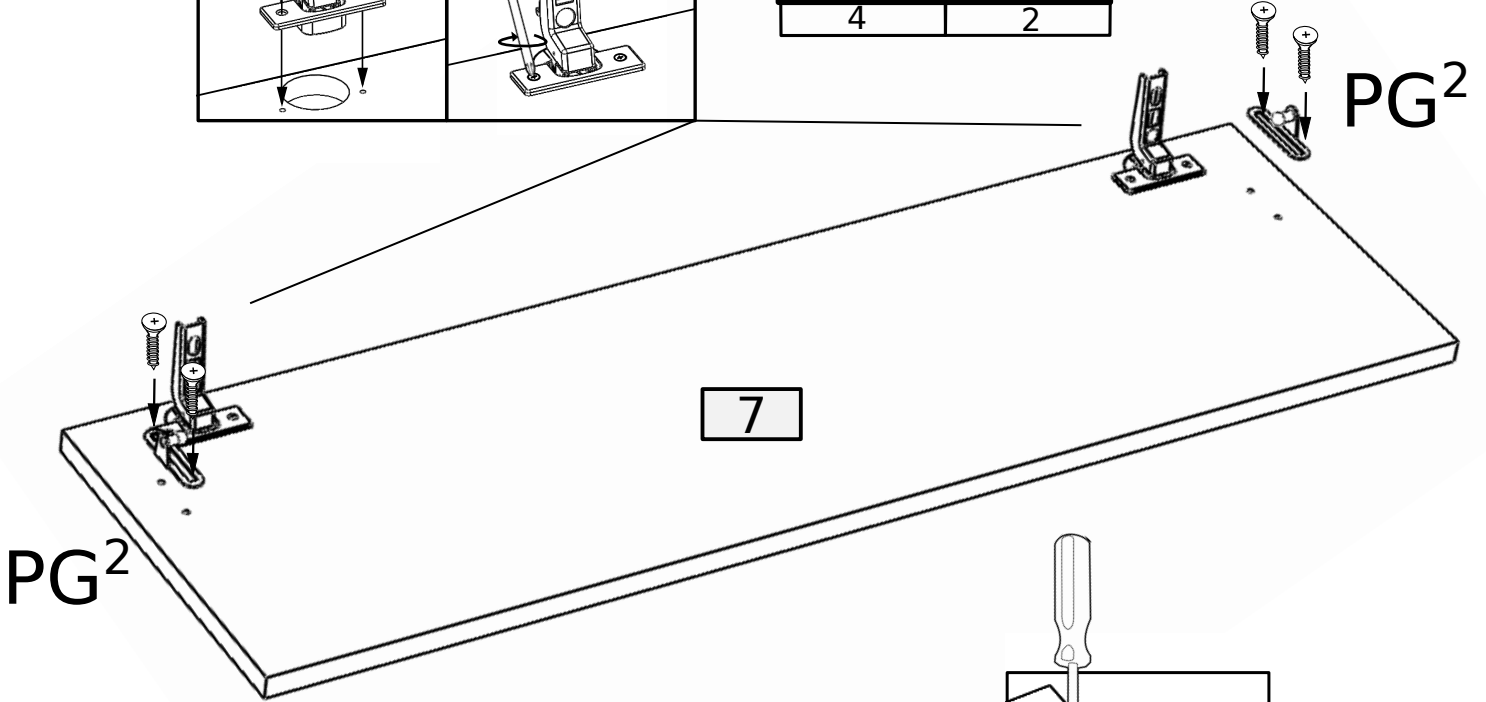
6



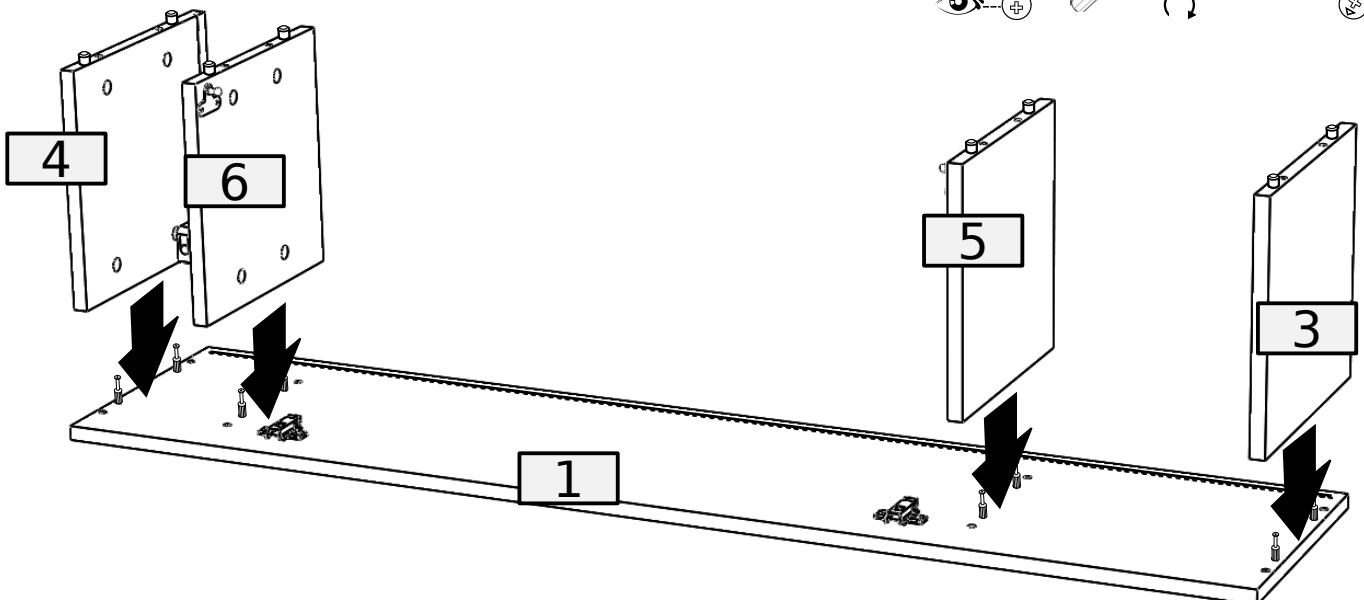
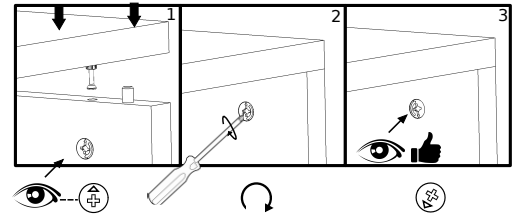
7



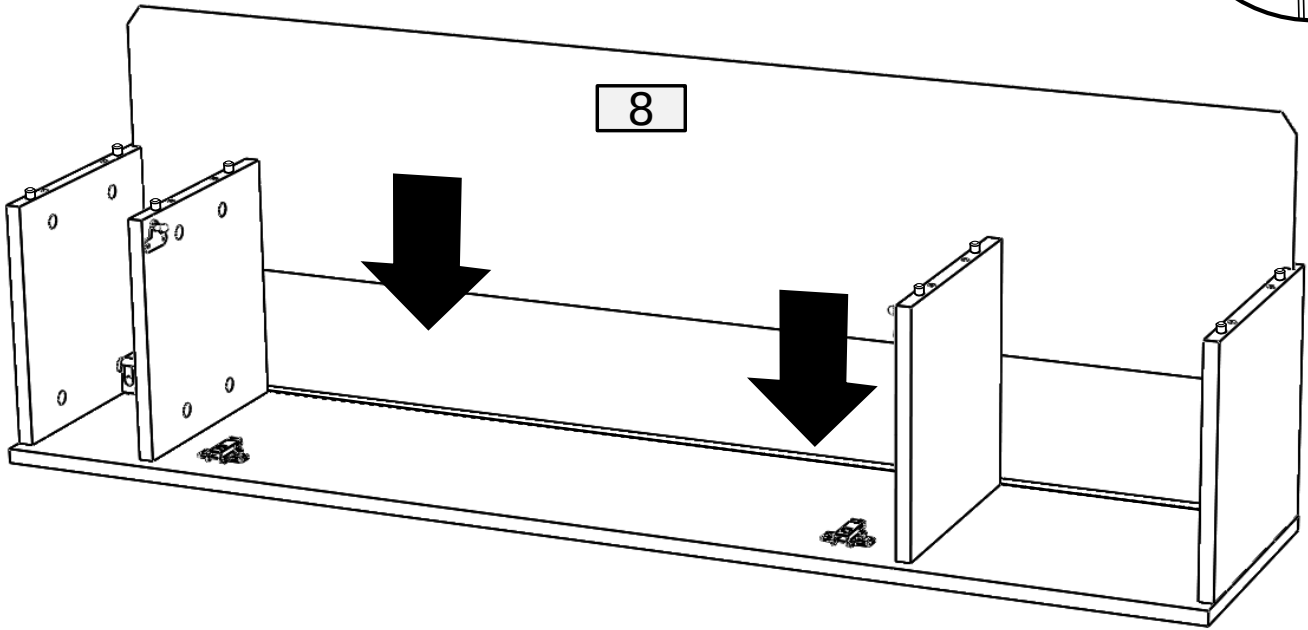
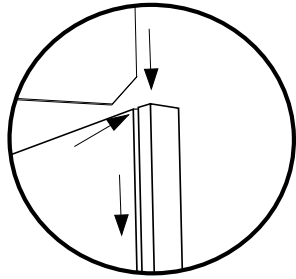
 3.5x16 W2	 Z
4	2



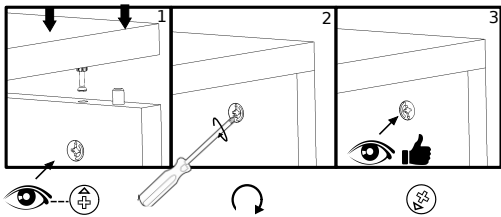
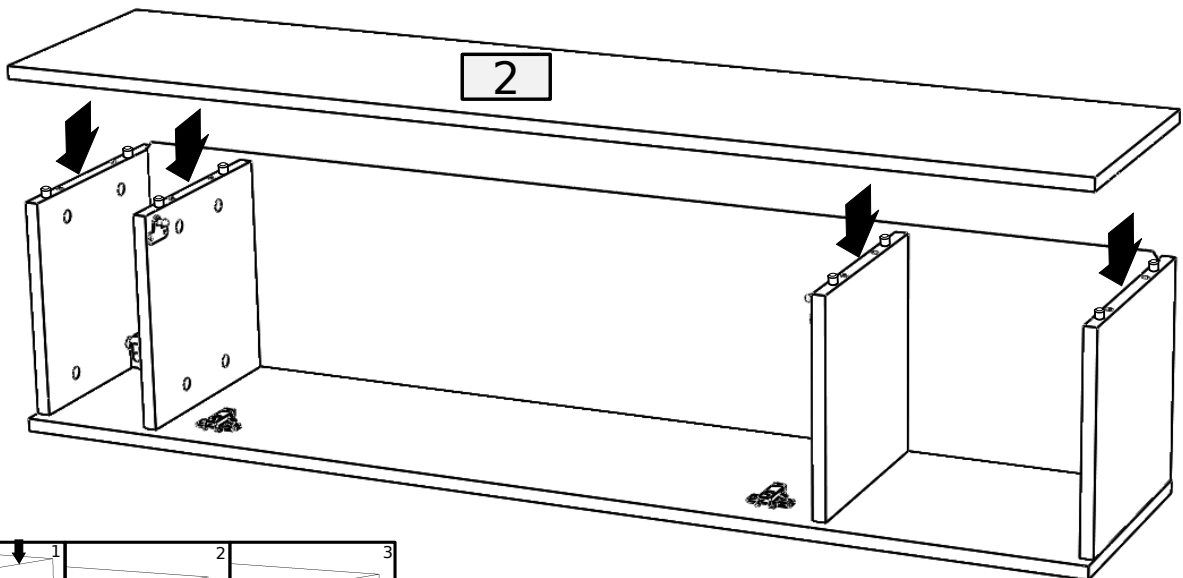
8



9



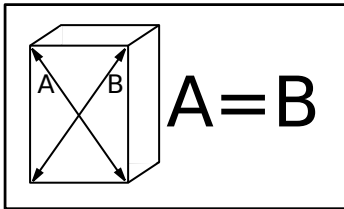
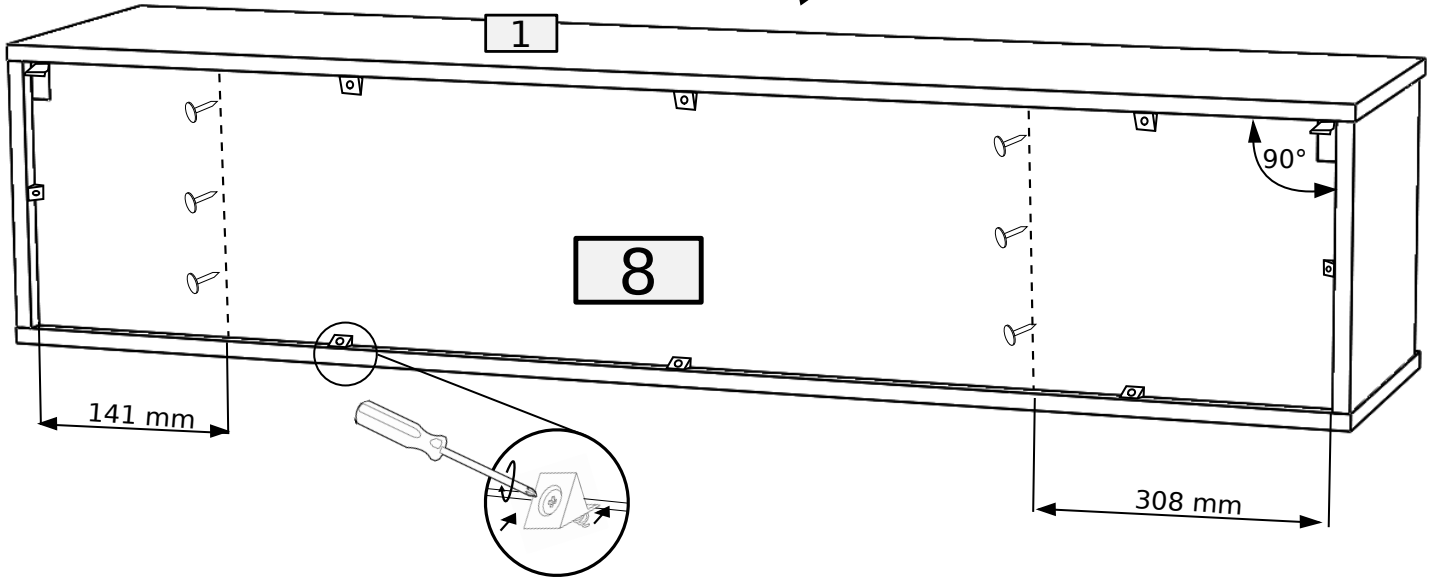
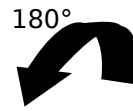
10



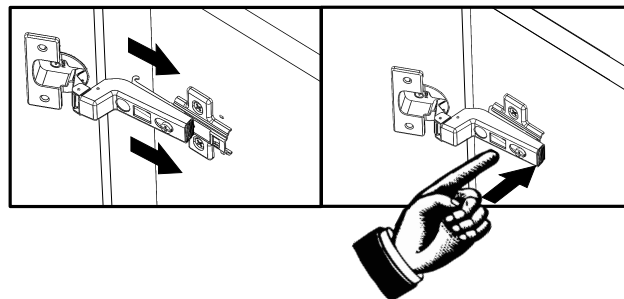
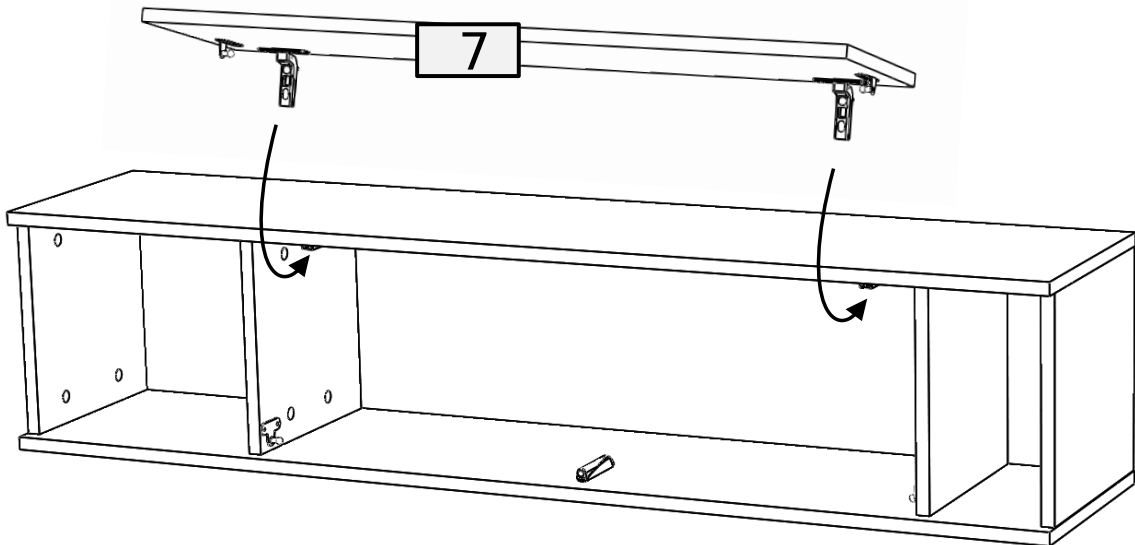
11



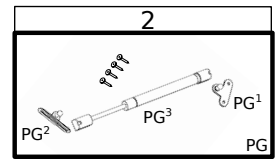
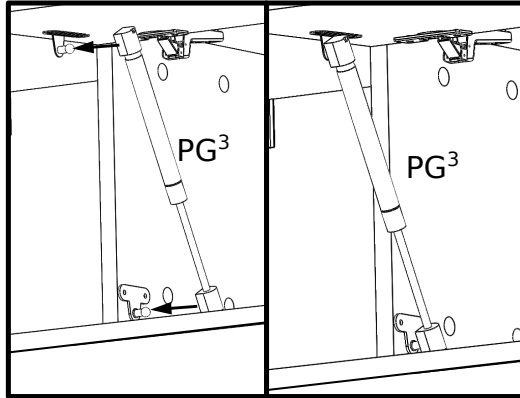
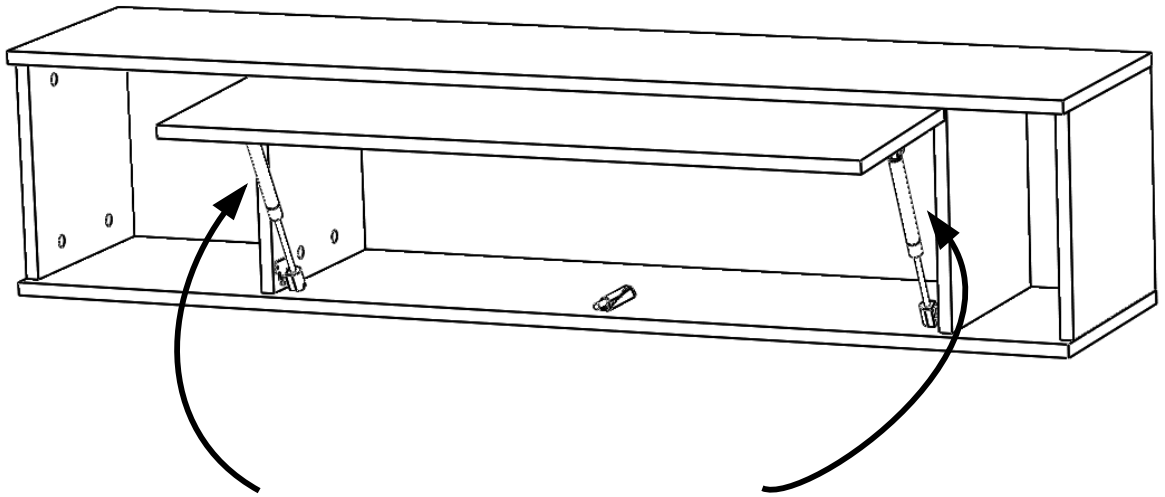
6	10
G	I



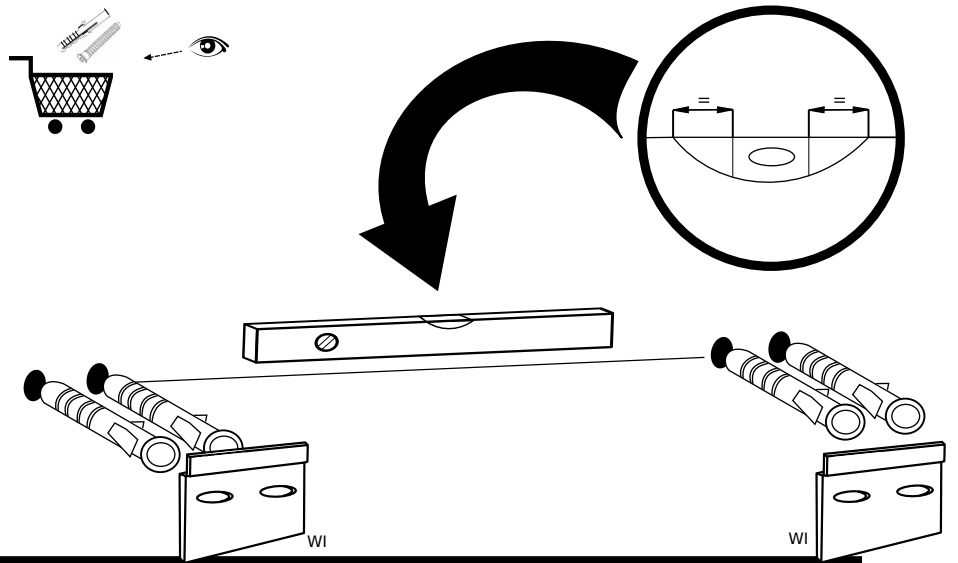
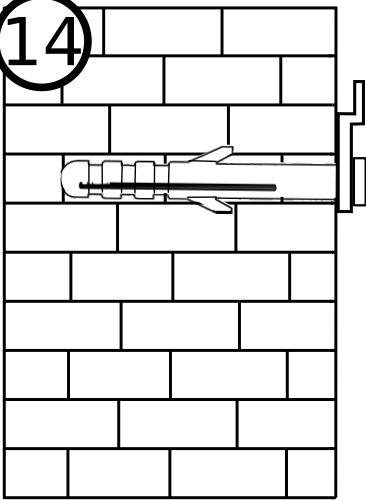
12



13



14



15

