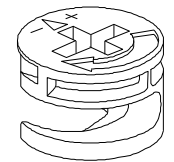
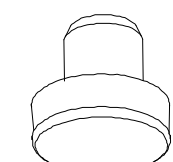
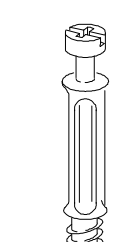
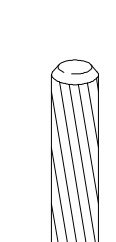
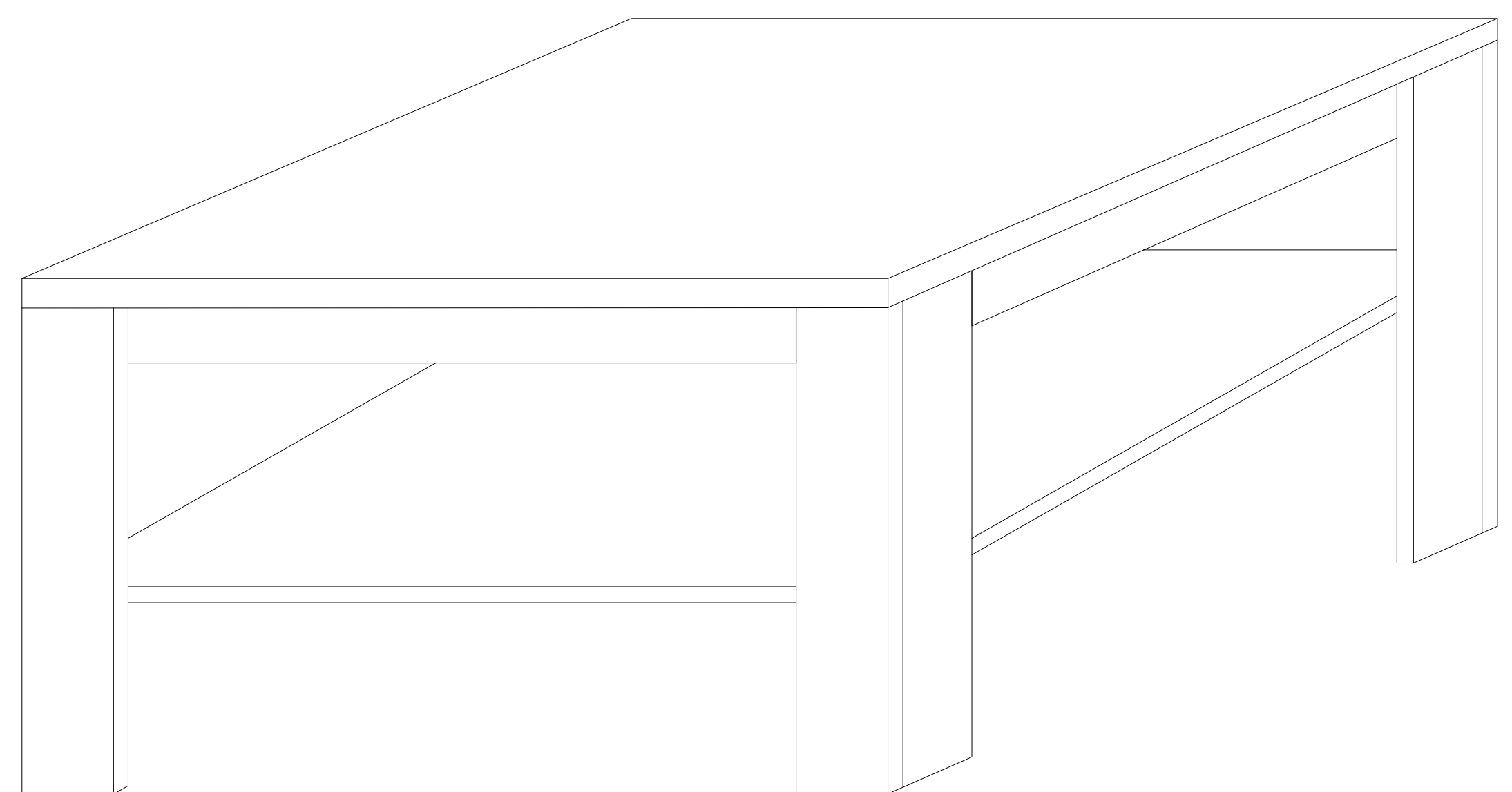
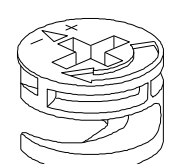
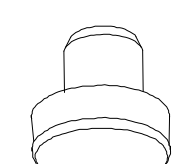
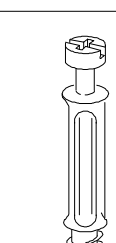
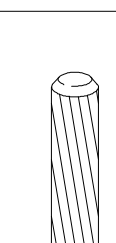


a	b
	
x 20	x 16
	
x 20	x 32
d	c

A	700x700	1
B	643x643	1
C	500x65	2
D	438x100	4
E	438x82	4
F	500x65	2



a	b
	
x 20	x 16
	
x 20	x 32
d	c

A	1200x600	1
B	1143x543	1
C	400x65	2
D	470x100	4
E	470x82	4
F	1000x65	2



