
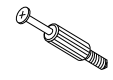
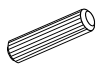







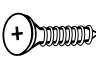





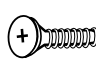
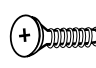
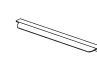


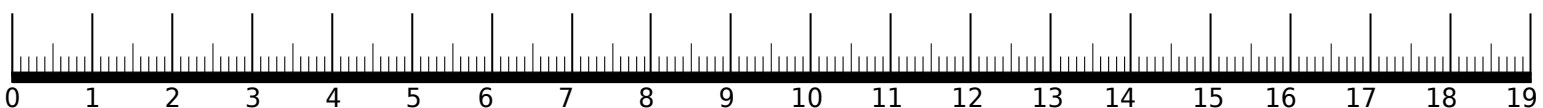
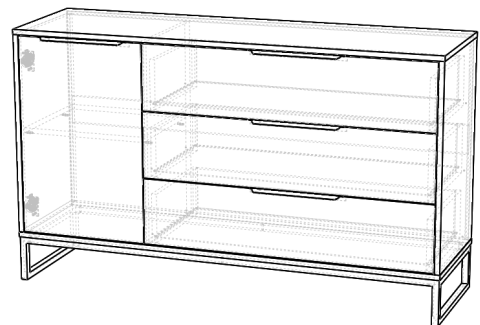
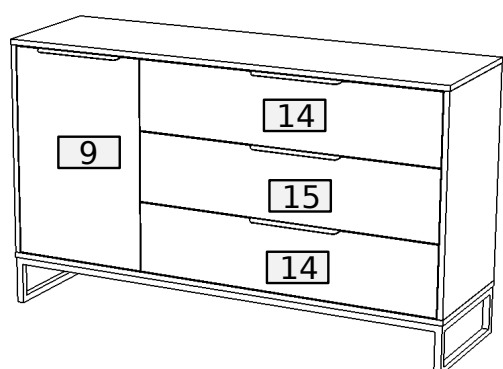
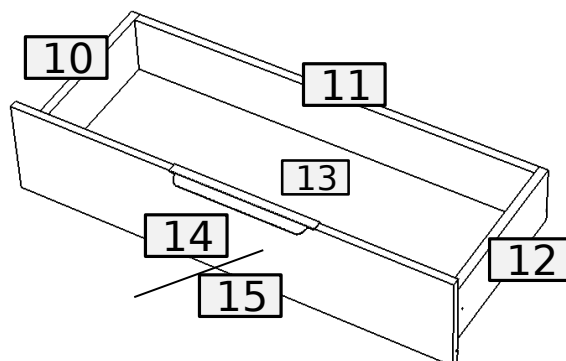
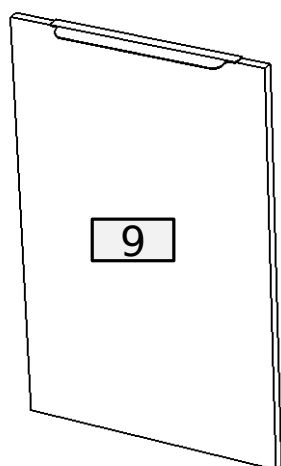
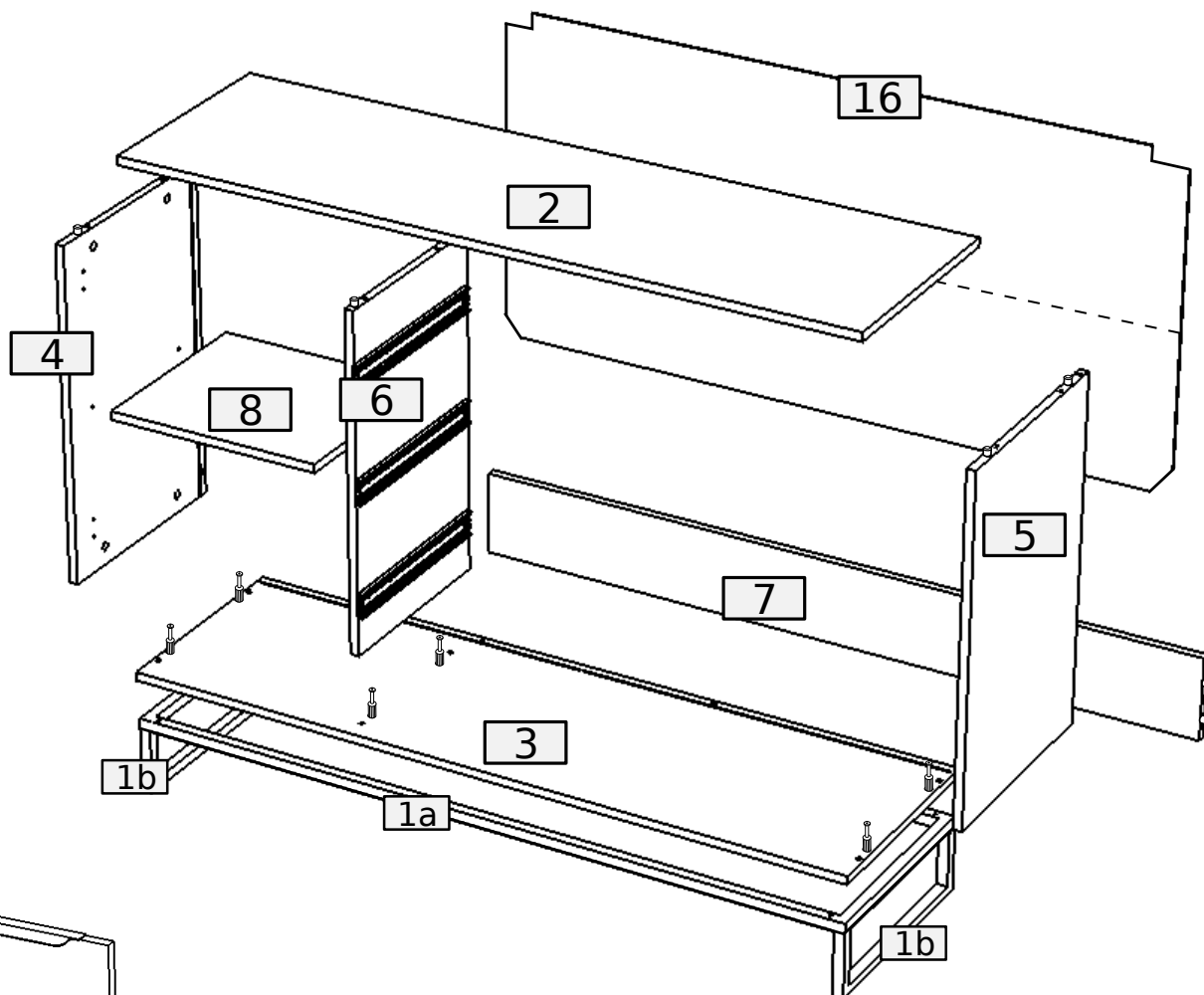


24	24	40	2	2	13	4	4
							
B	A	8.0x35 D	KS	3.5x16 W4	I	S3	G
							
X	L-350 PK	3.0x20 W1	U1	PZ	Z	O	G4
18	3	15	1	2	2	2	6

28	
	
3.5x16 W2	
	
3.0x16 W3	UL
8	4

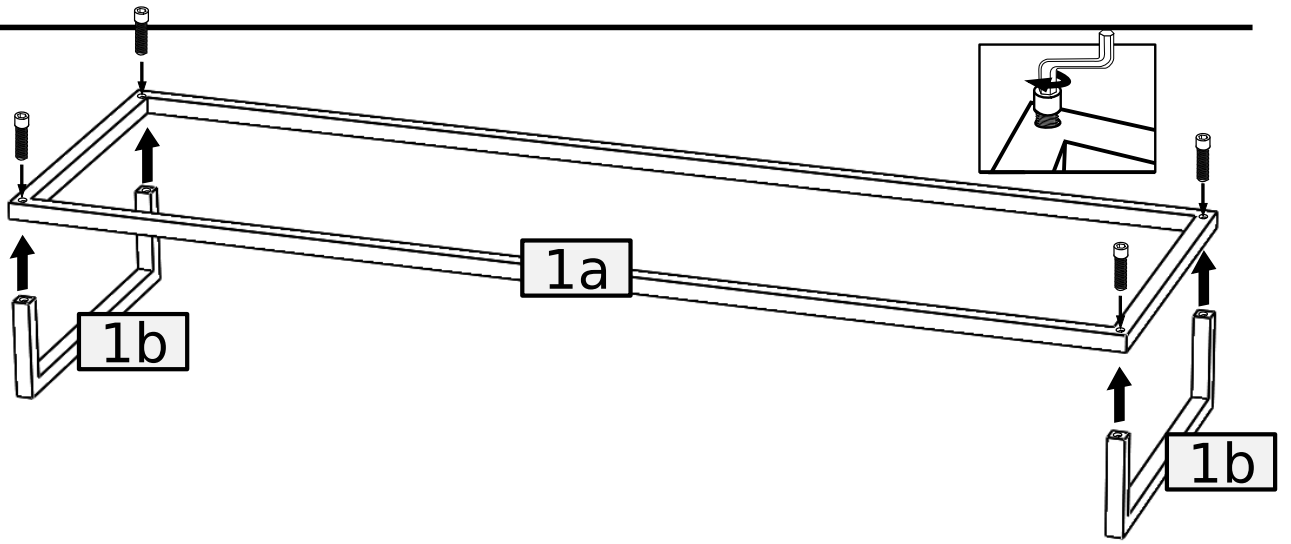
6

4.0x35 W11

US
12



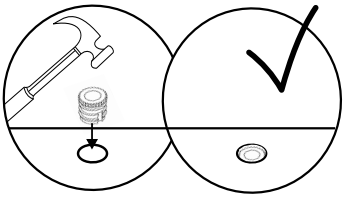
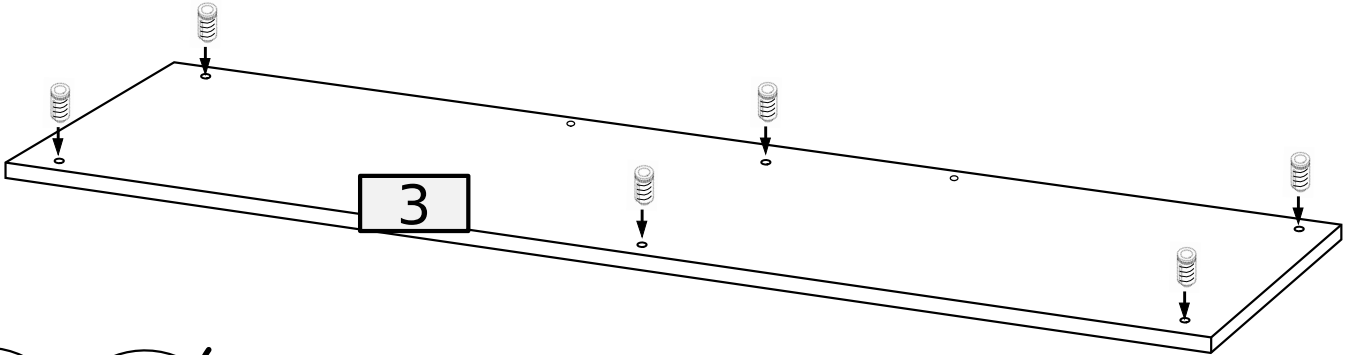
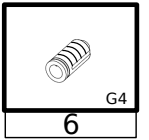


No.	Pcs.	L	W	D	Pac
1a	1	1345	395	20	1/2
1b	1	395	120	20	1/2
2	1	1350	400	16	2/2
3	1	1350	400	16	2/2
4	1	628	399	16	1/2
5	1	628	399	16	1/2
6	1	628	360	16	1/2
7	1	1316	150	16	2/2
8	1	433	355	16	2/2
9	1	622	442	16	1/2
10	3	350	160	16	1/2
11	3	809	142	16	1/2
12	3	350	160	16	1/2
13	3	824	357	3	2/2
14	2	862	203	16	2/2
15	1	862	203	16	2/2
16	1	1330	642	3	2/2

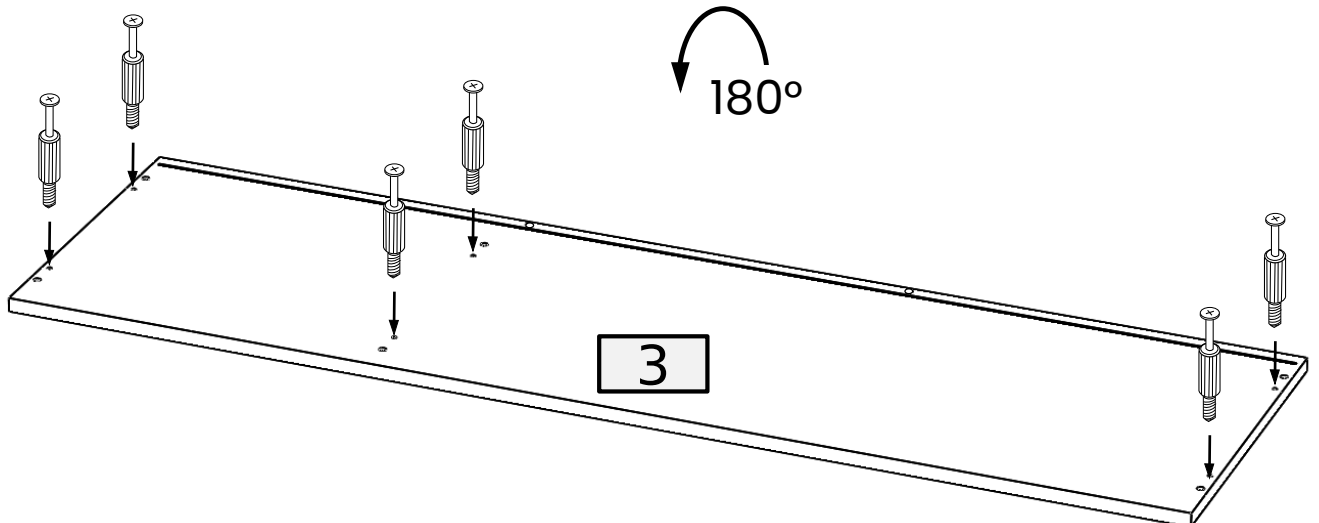
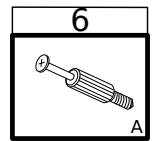
①



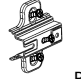



②

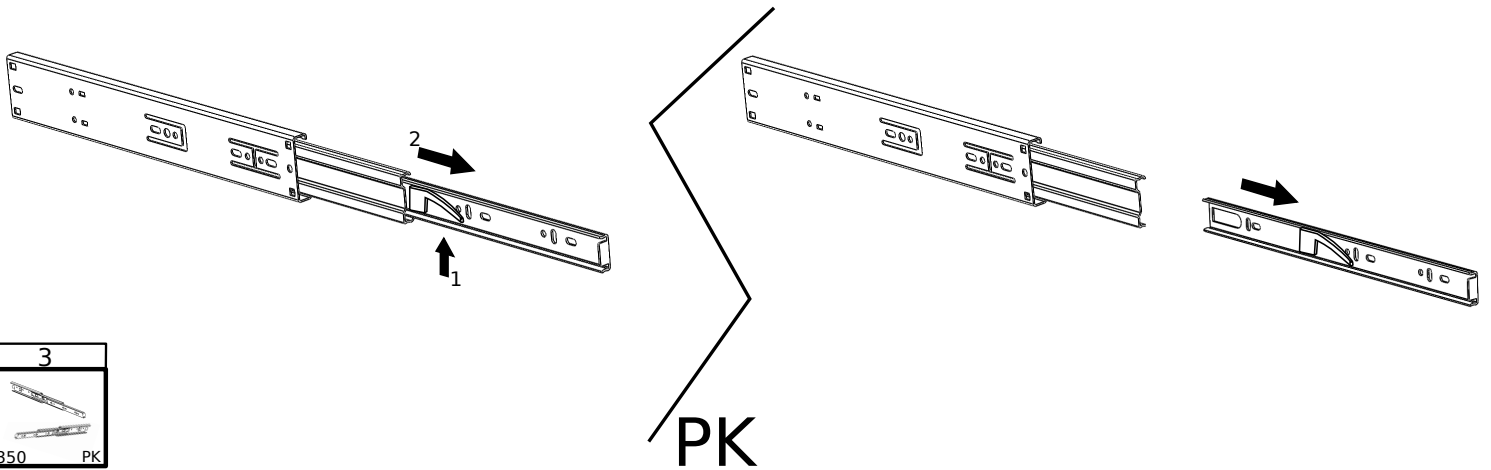
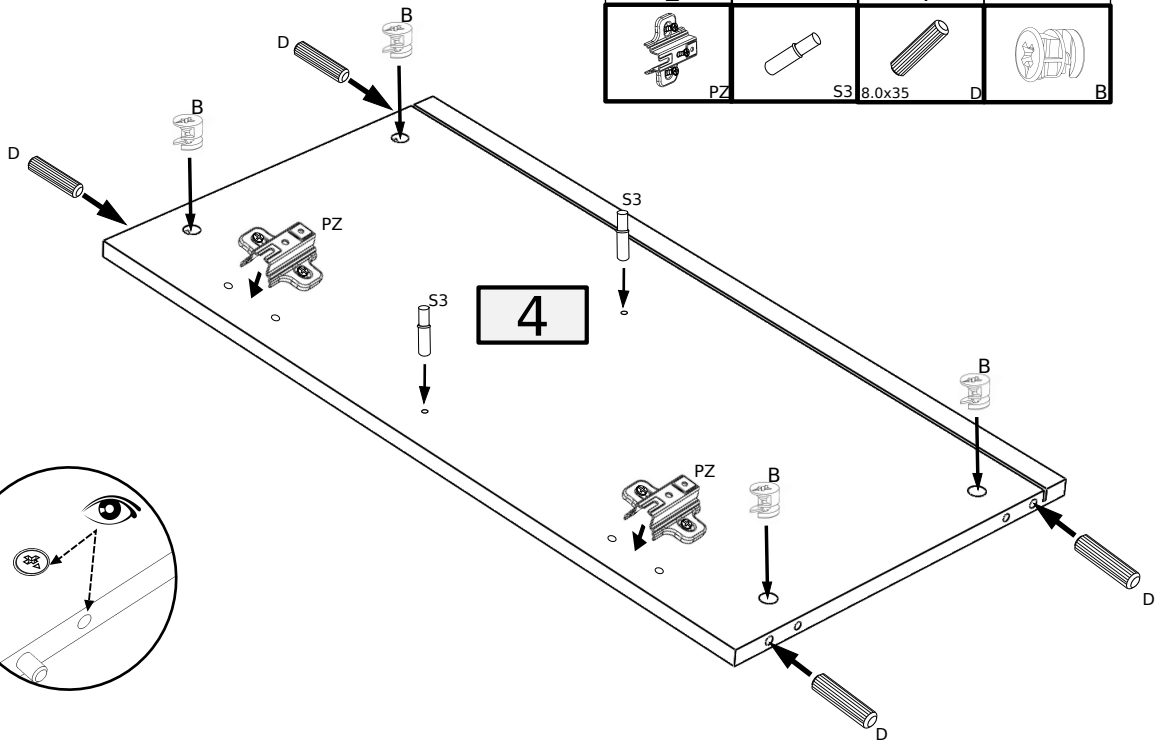
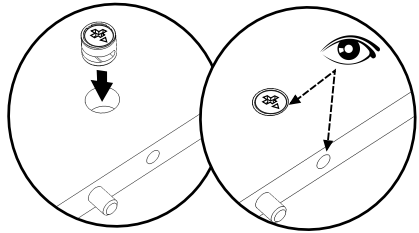
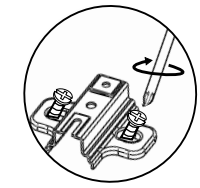


③

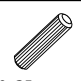


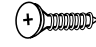


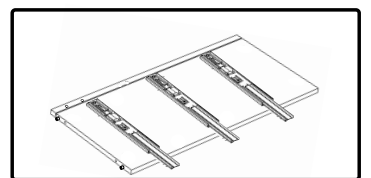
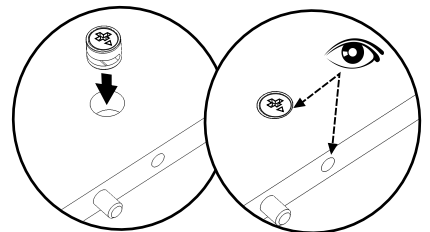
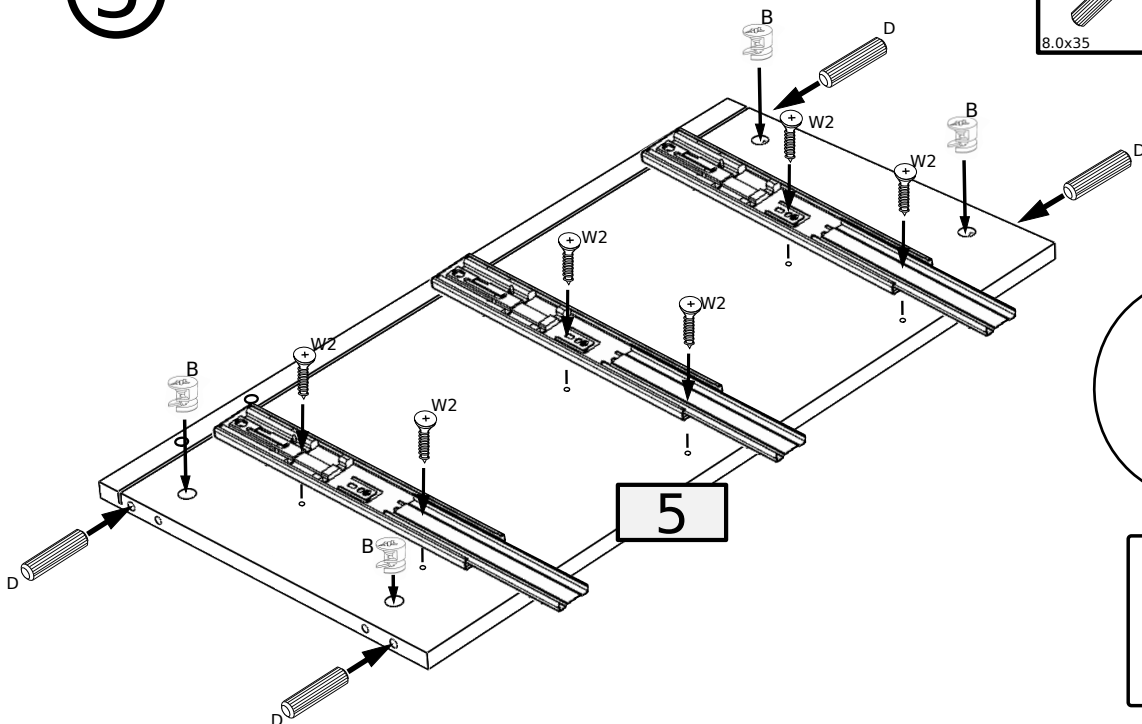
4

2	2	4	4
			
PZ	S3	8.0x35	B

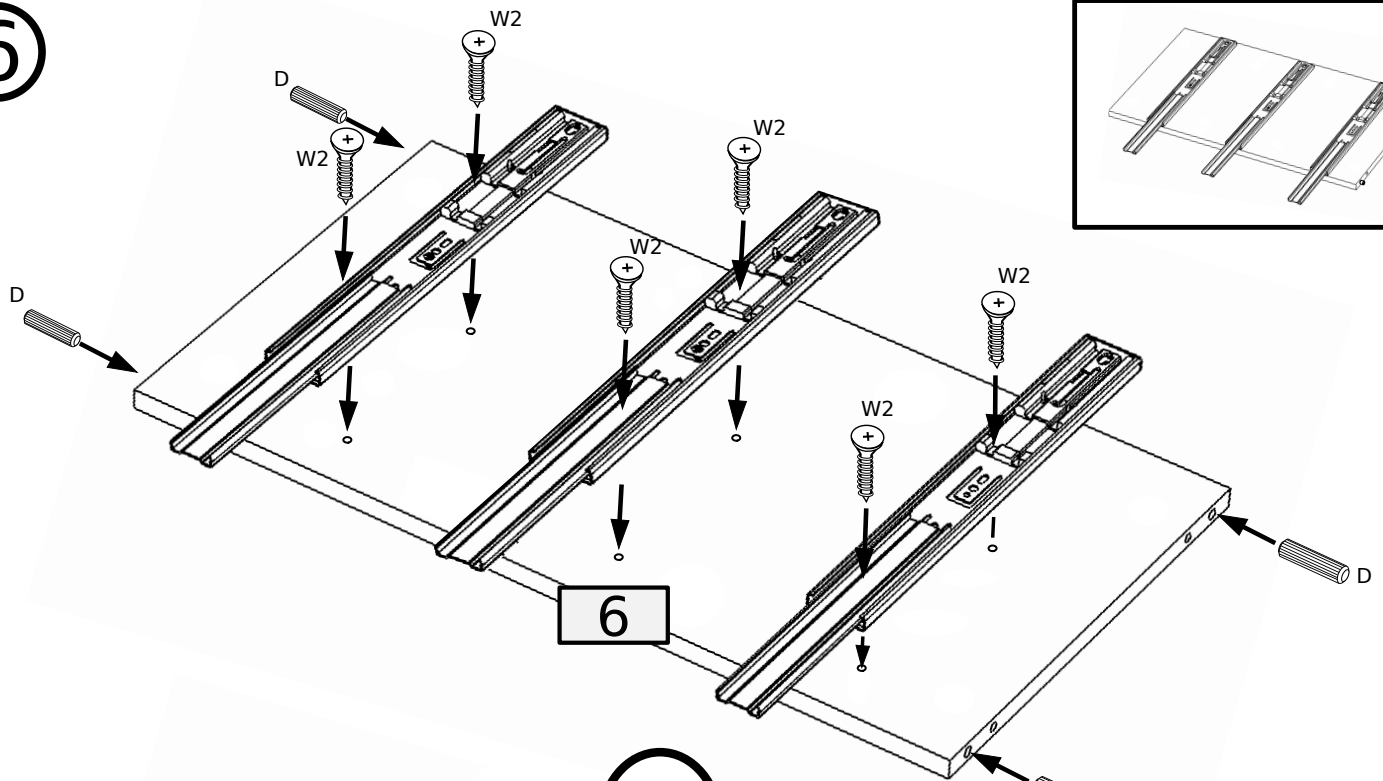
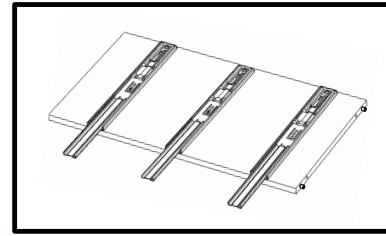


5

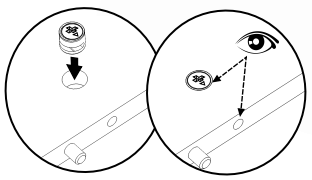
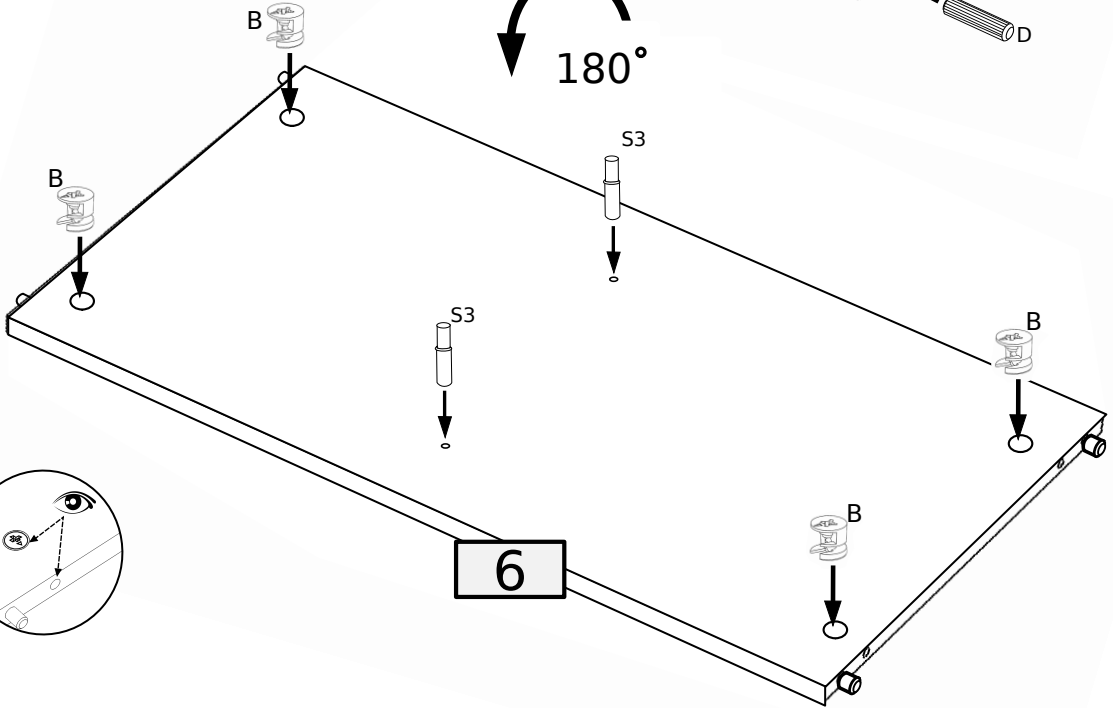
4	4	3	6
			
8.0x35	D	L-350	PK W2



6



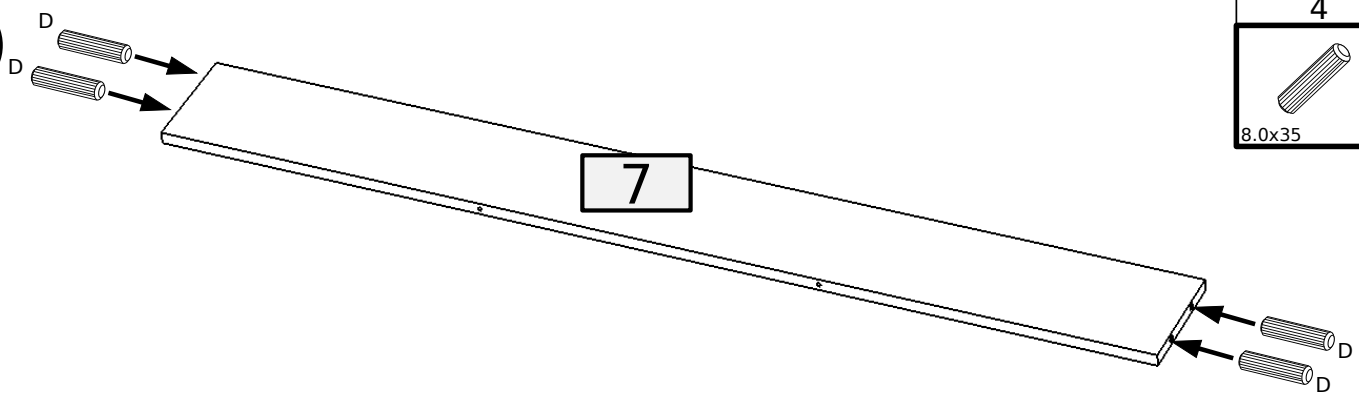
180°



6	3	4	4	2
3.5x16	W2 L-350	PK 8.0x35	D	B
				S3



7

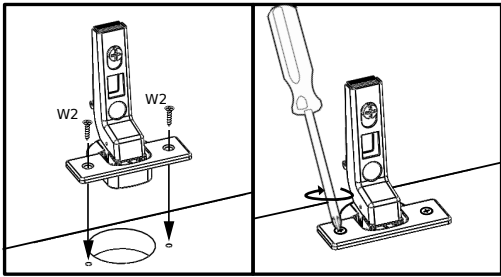
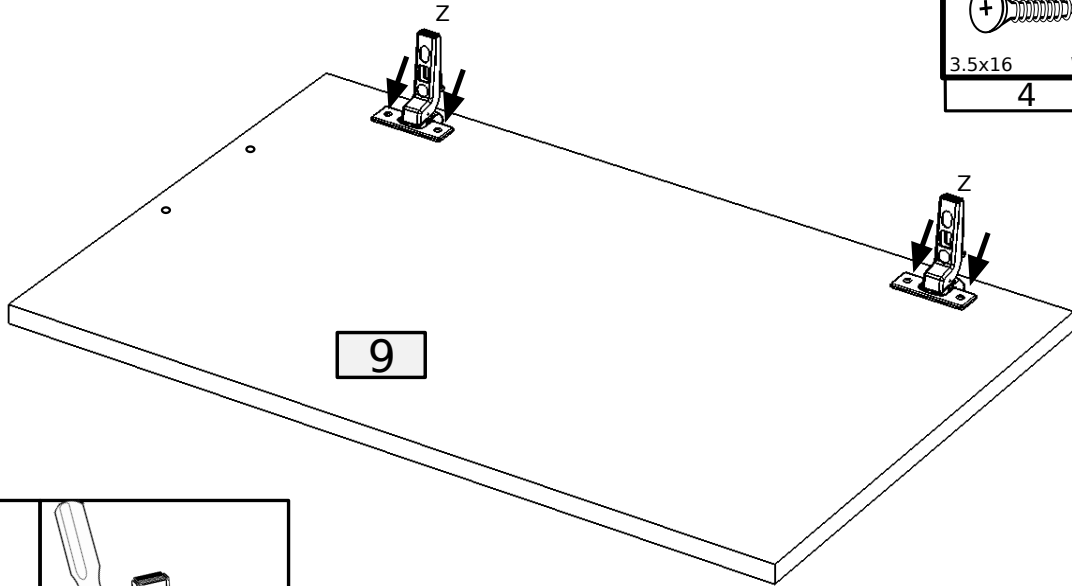
4
8.0x35
D



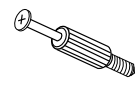
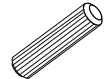
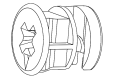
6

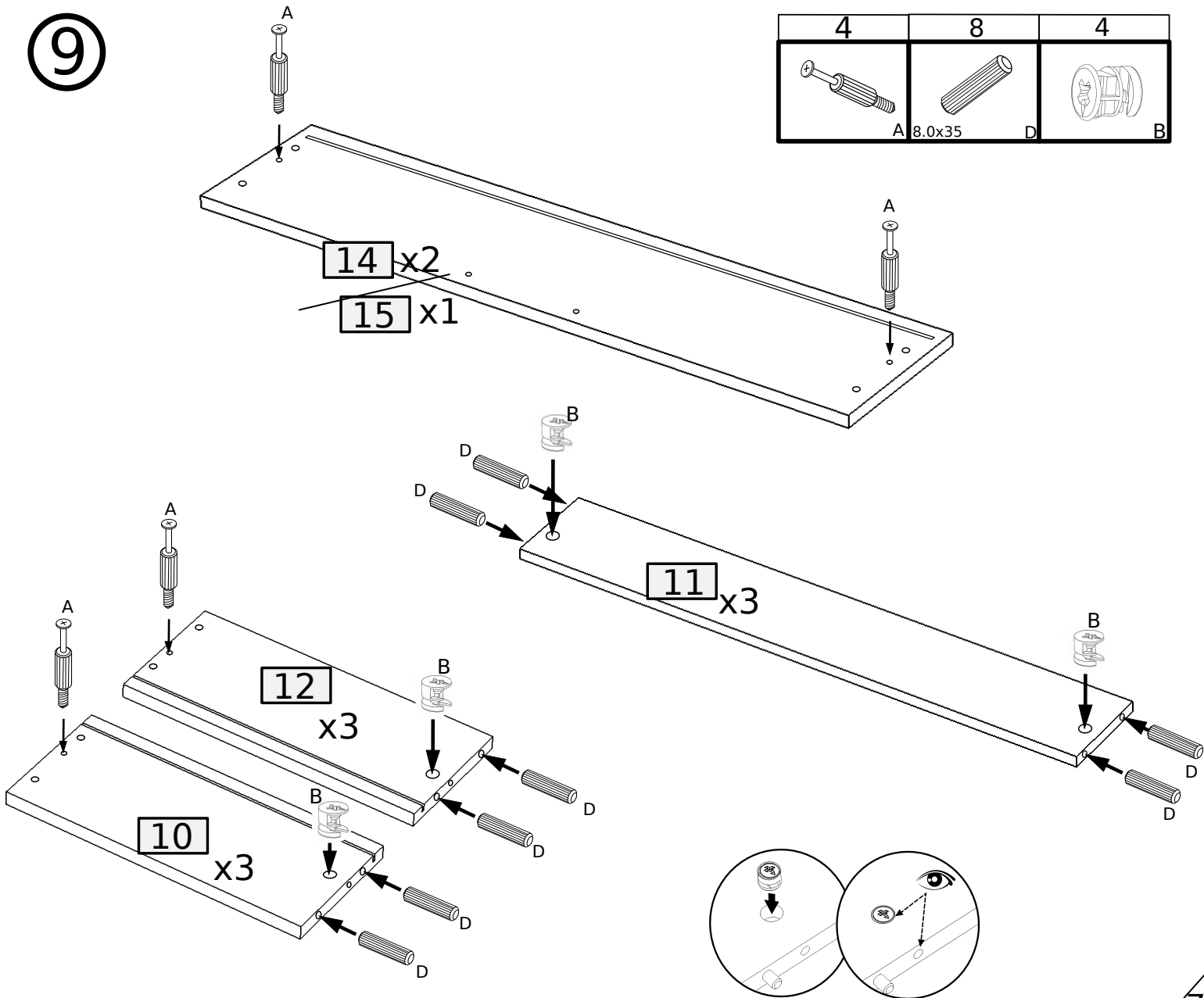
8

 3.5x16 W2	 Z
4	2

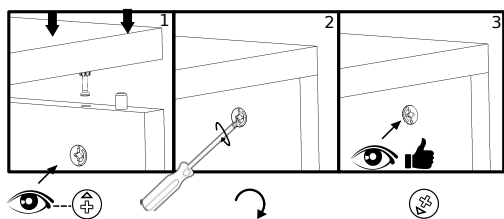
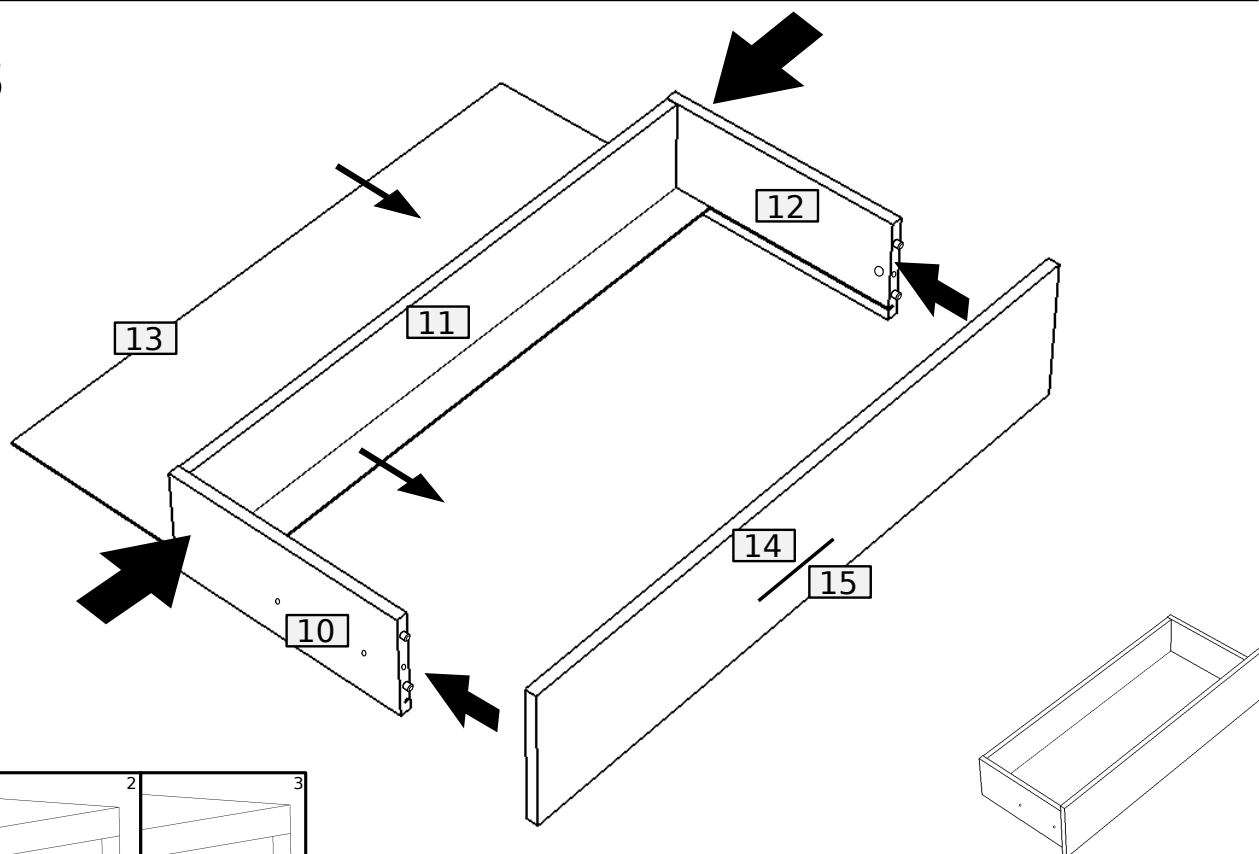


9

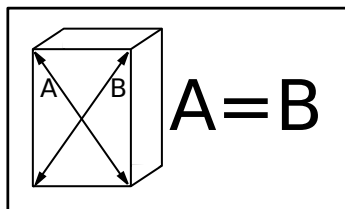
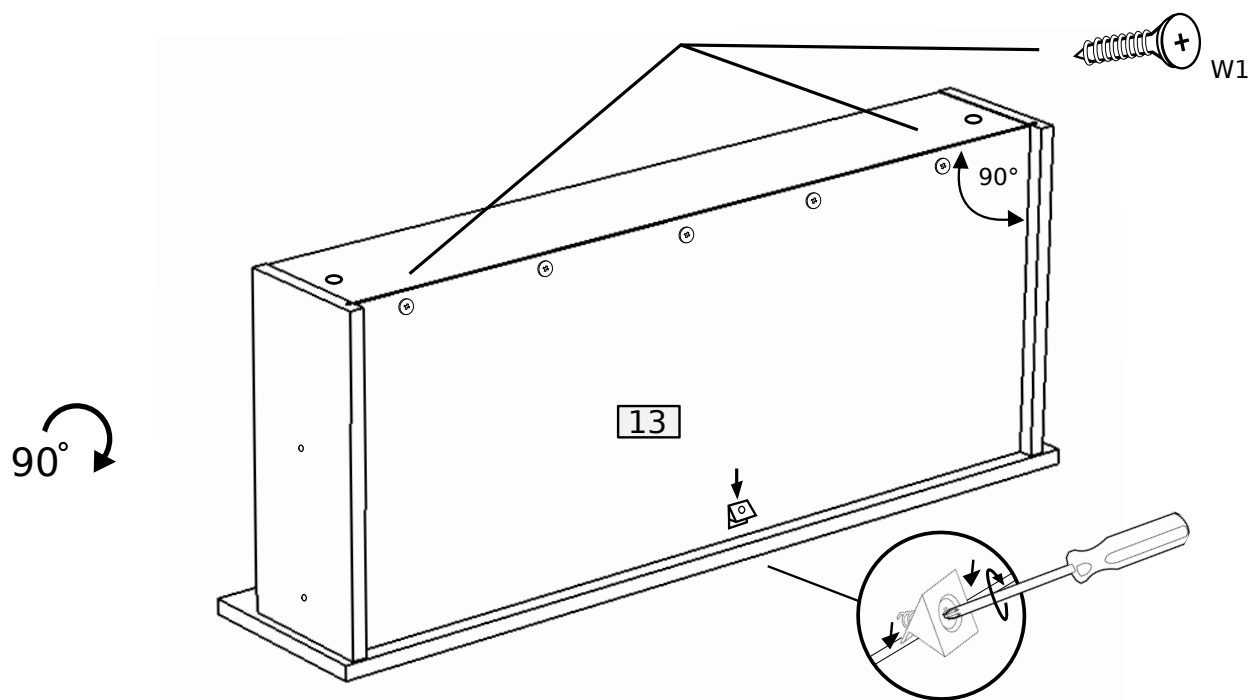
4	8	4
 A	 8.0x35 D	 B



⑩ x3



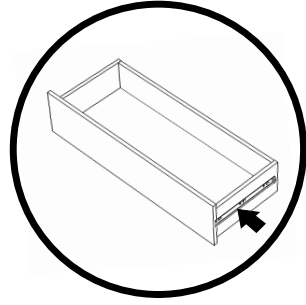
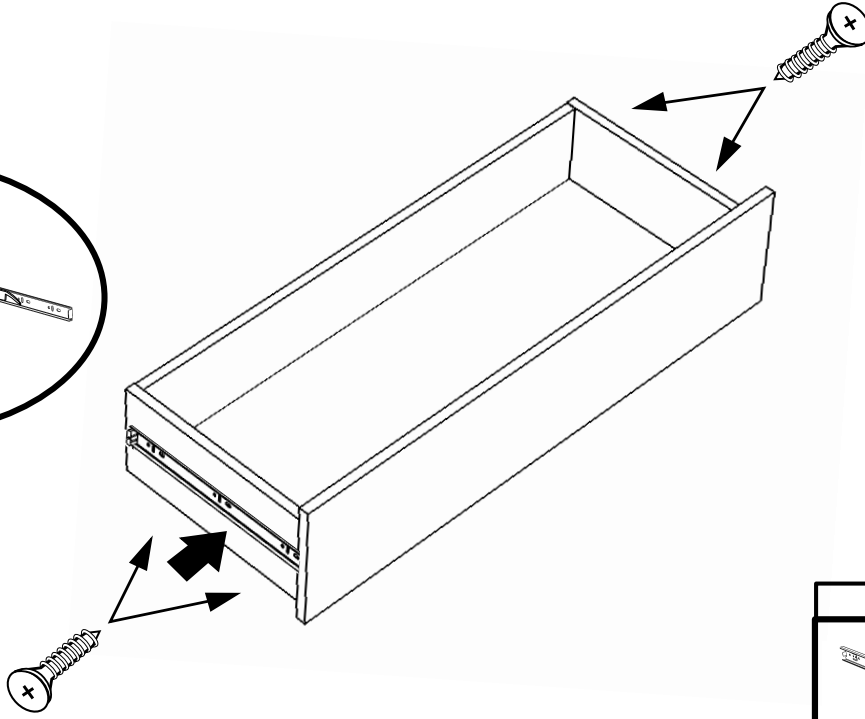
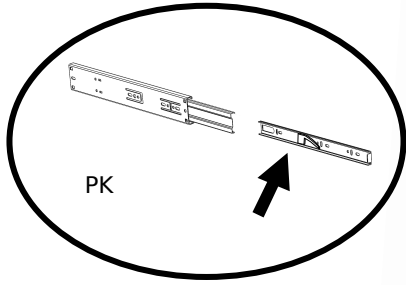
⑪ x3



1	5
	3.0x20 W1

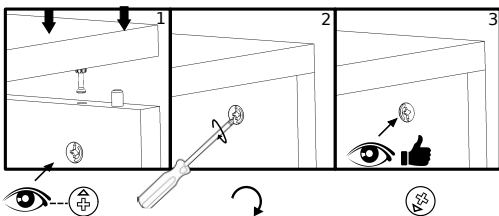
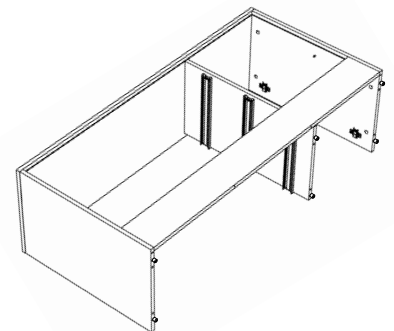
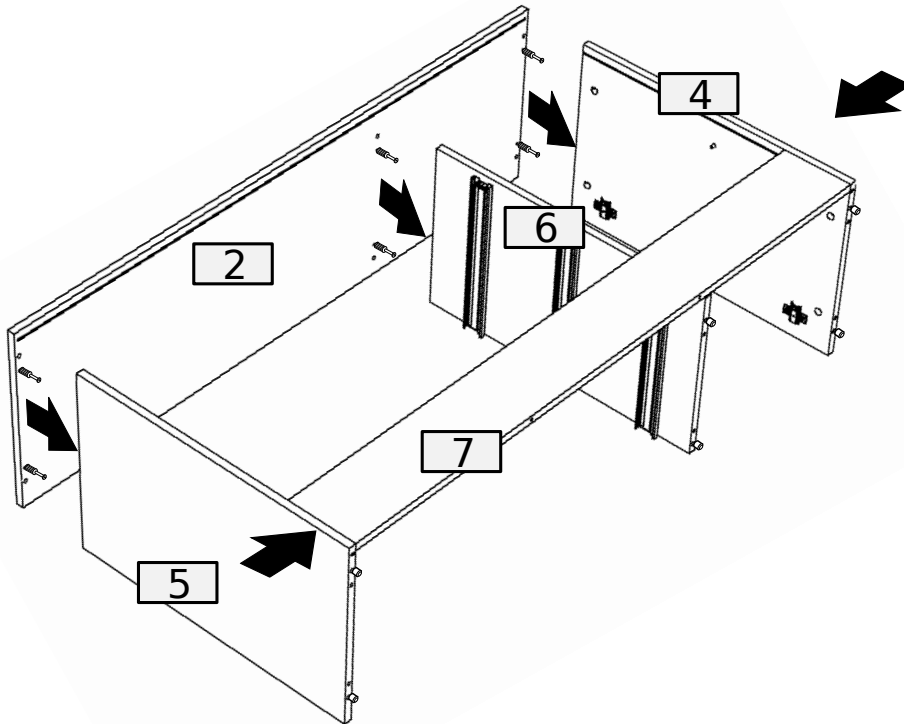


12 x3

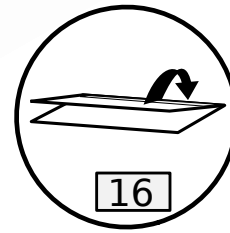
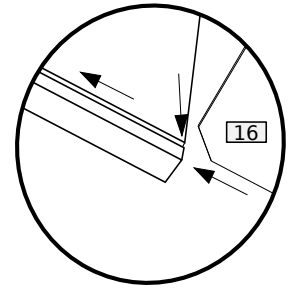
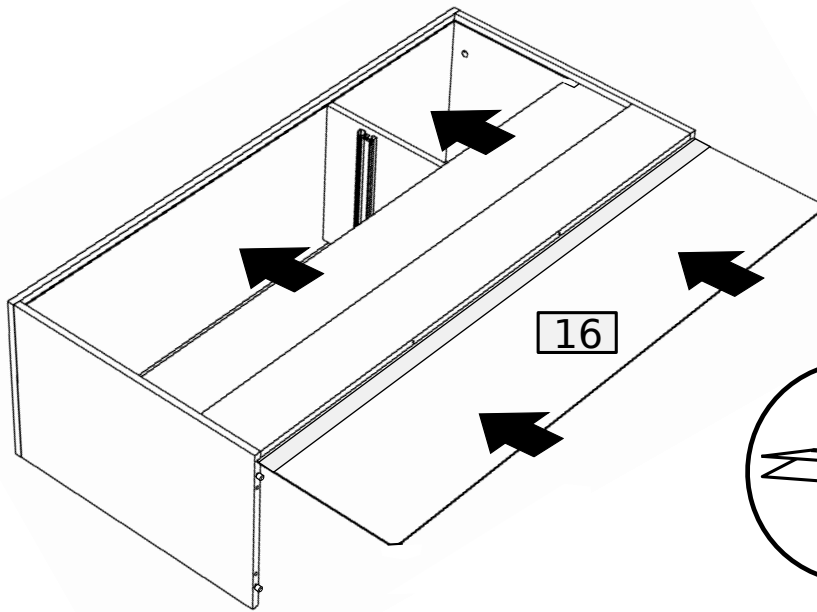


2	4
PK	3.5x16 W2

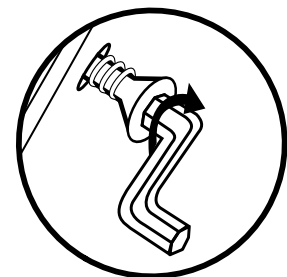
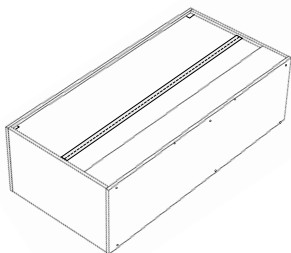
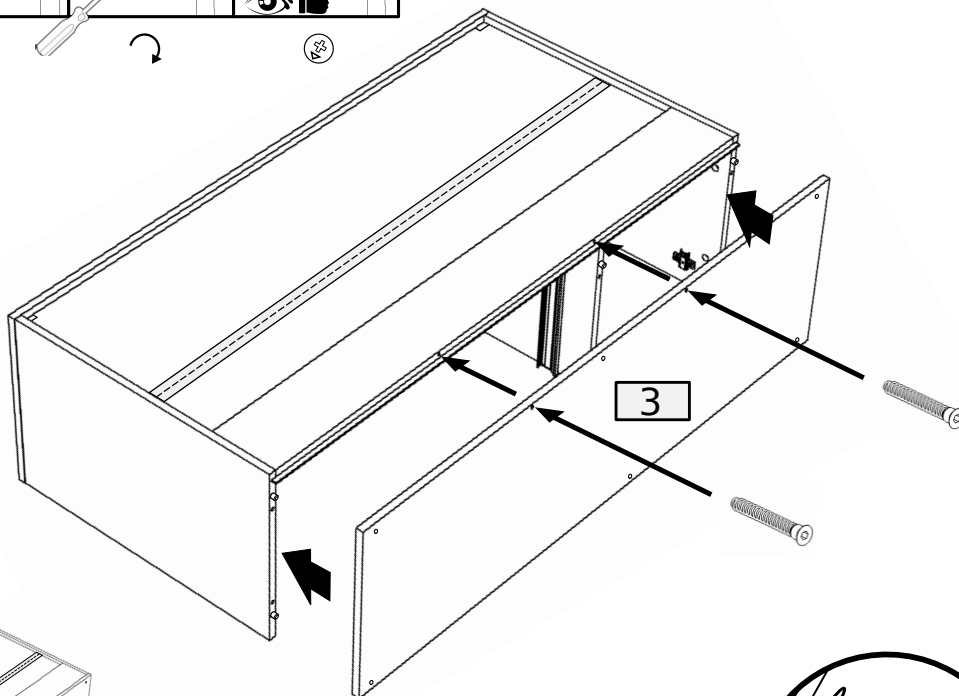
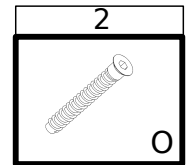
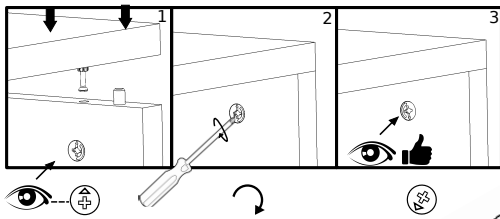
13




14

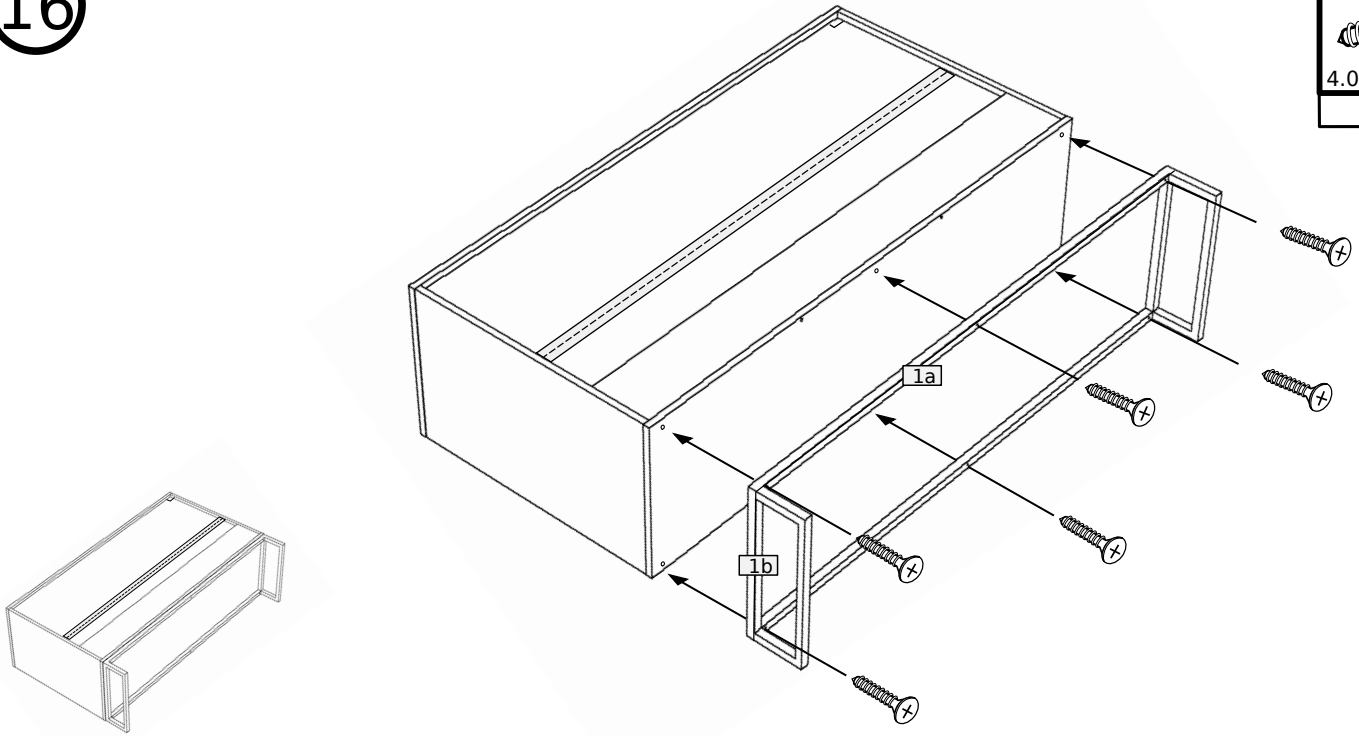


15





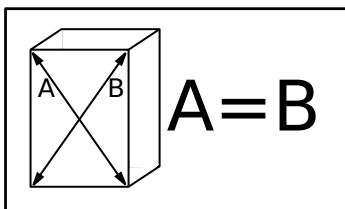
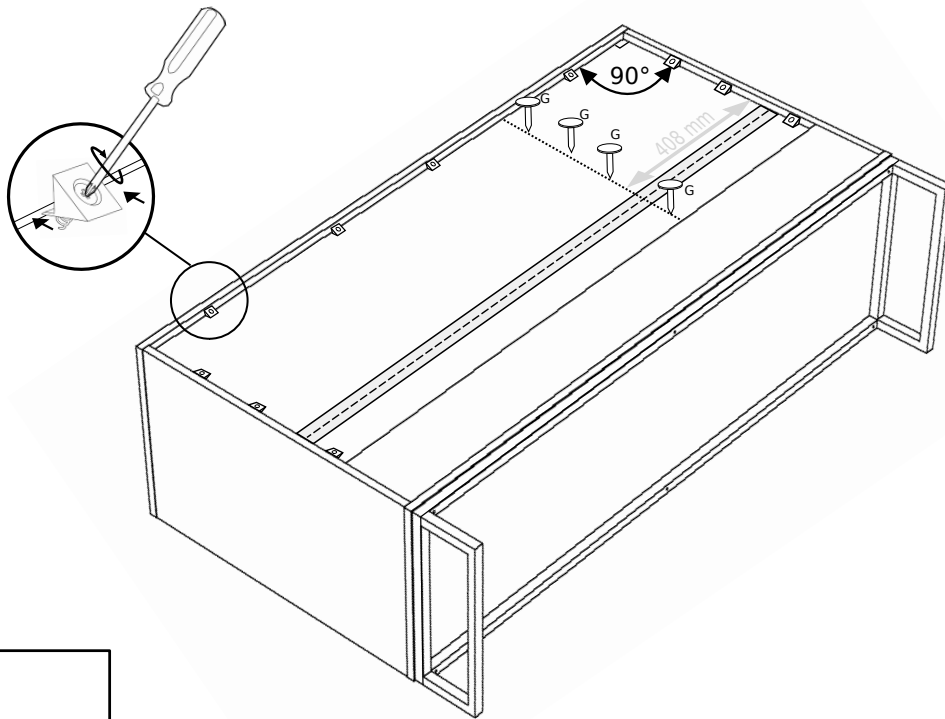
16


4.0x35 W11
6

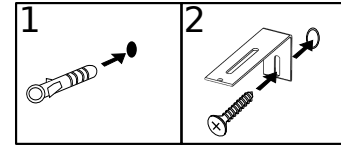
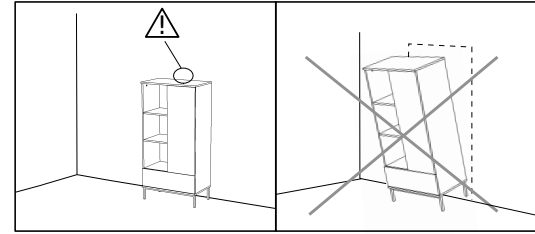
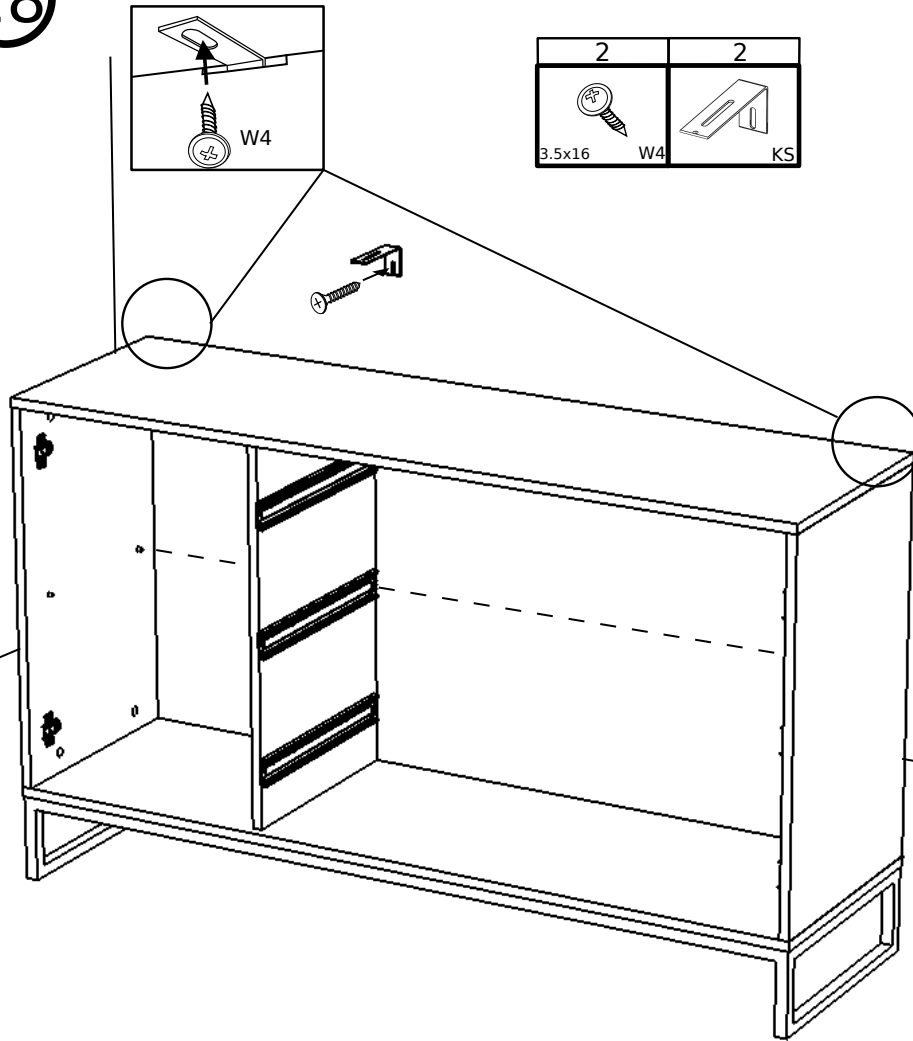


17

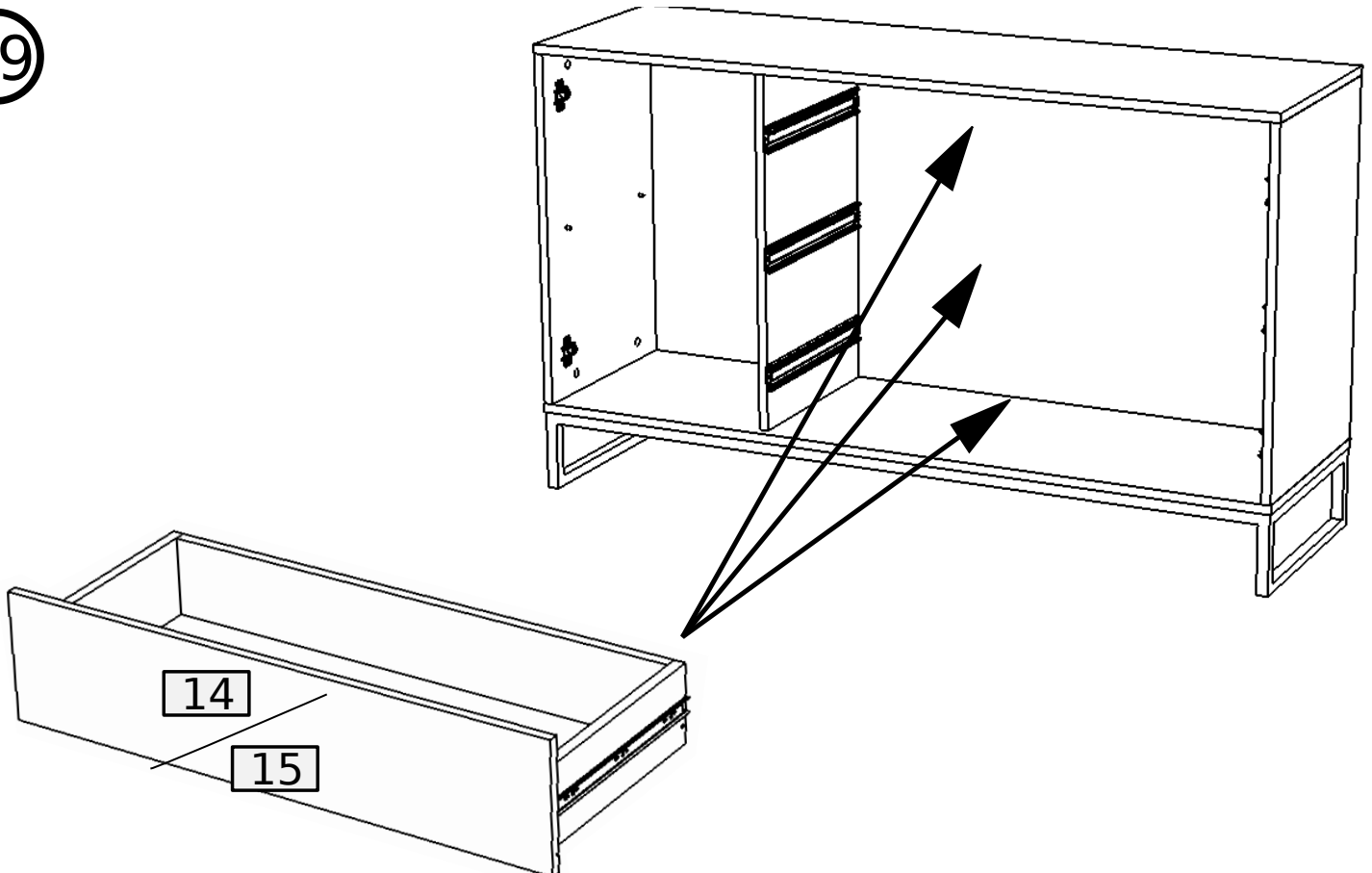
10	4
	
L	G



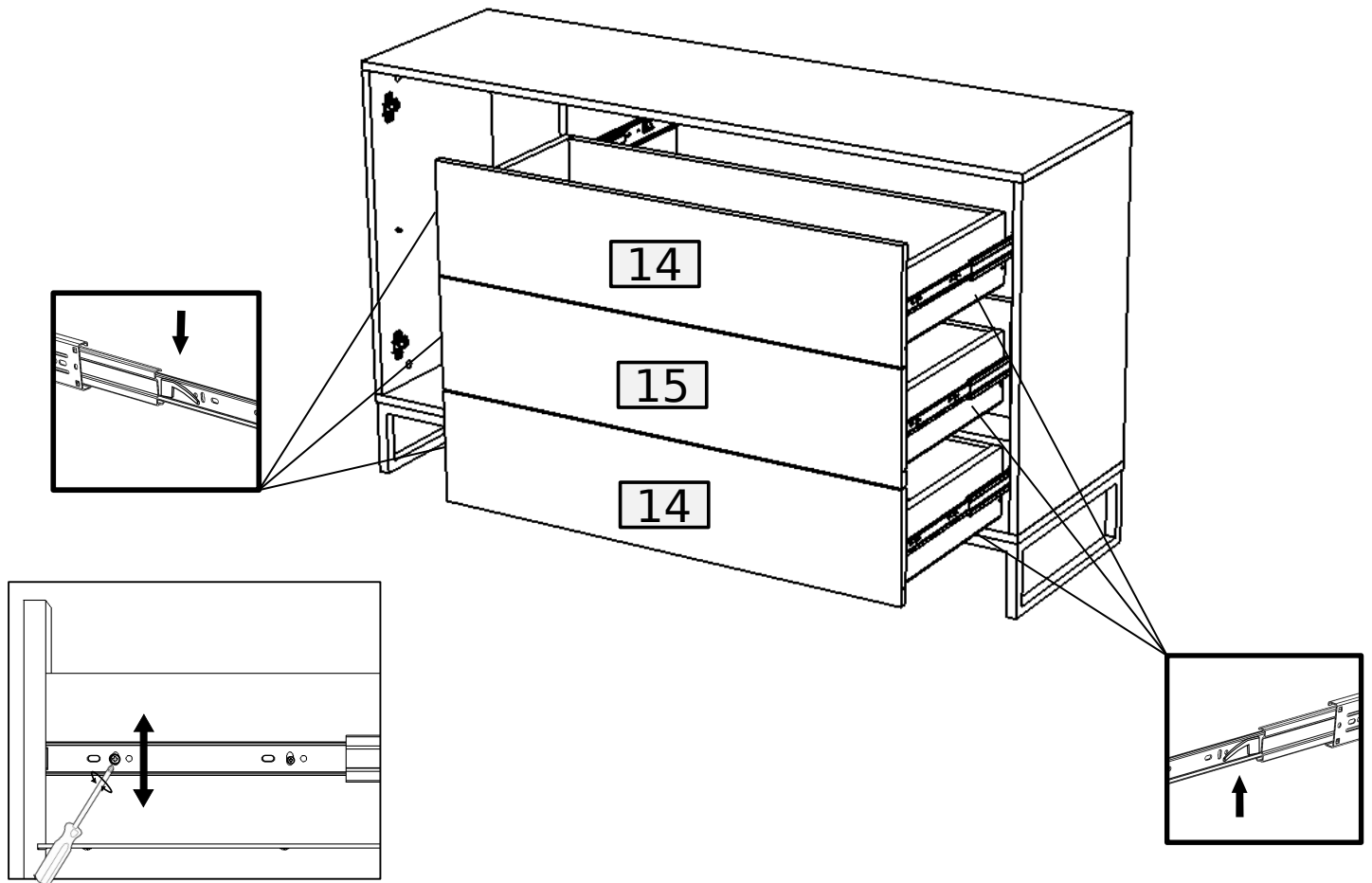
18



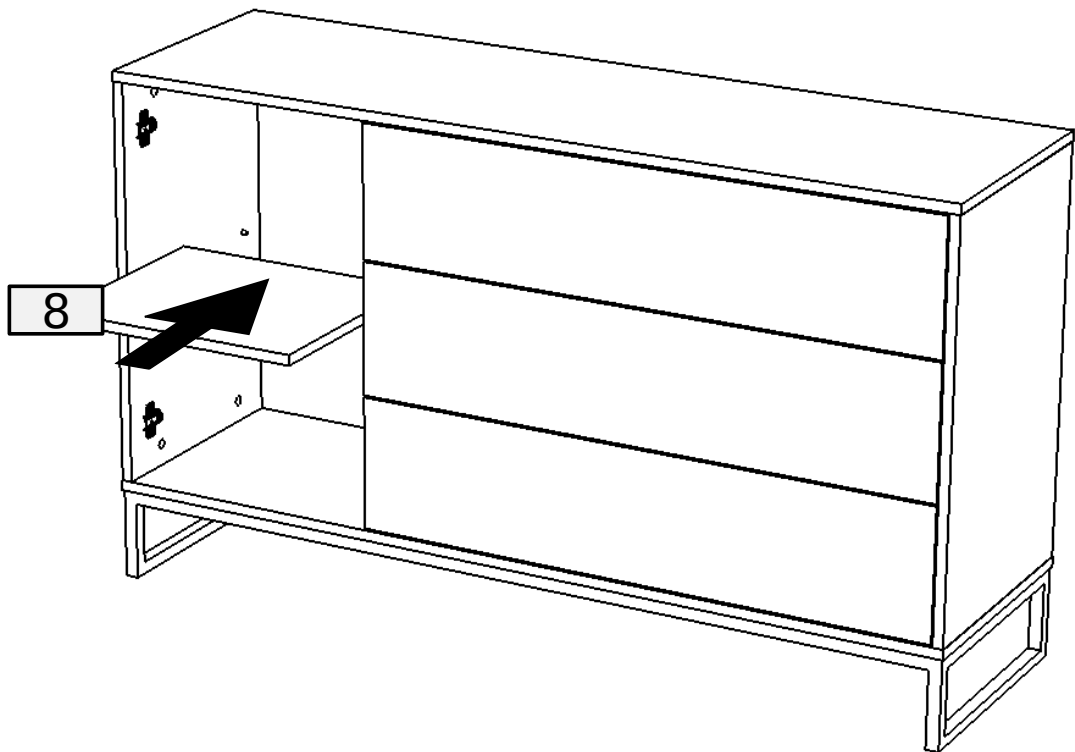
19



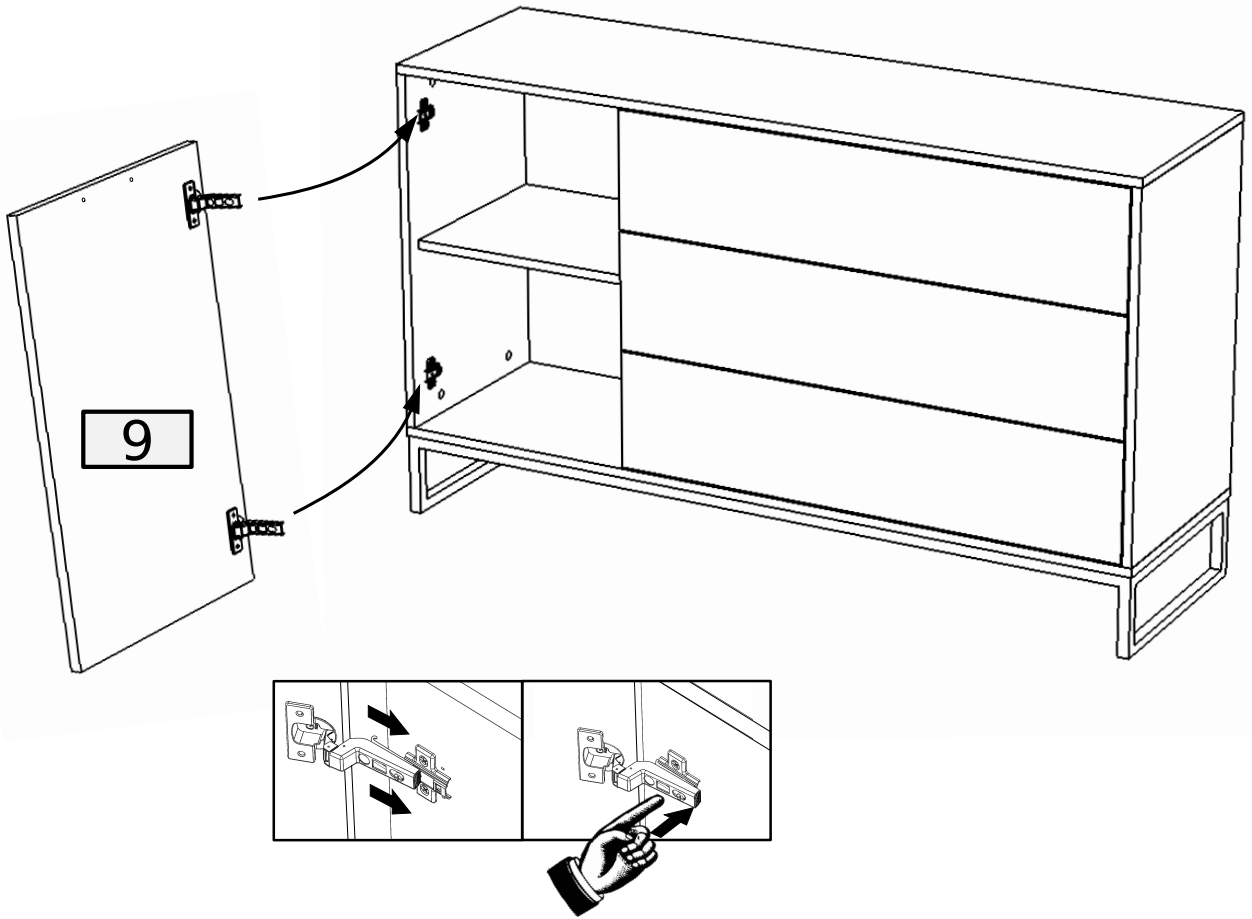
20



21



22



23

