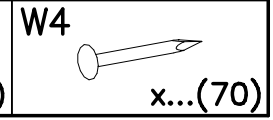
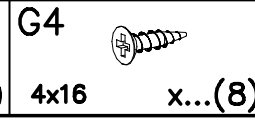
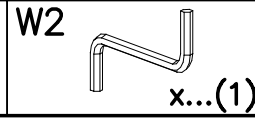
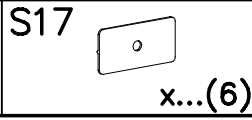
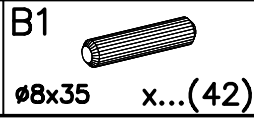
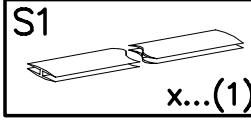
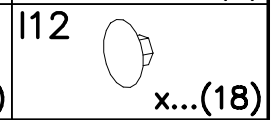
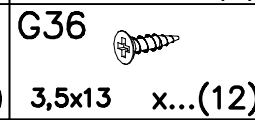
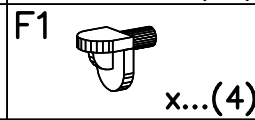
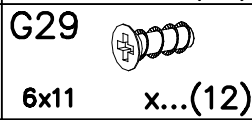
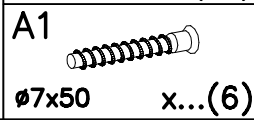
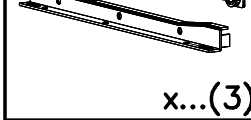
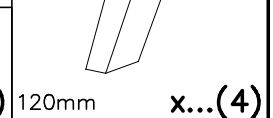
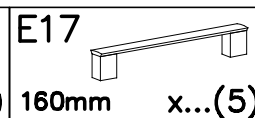
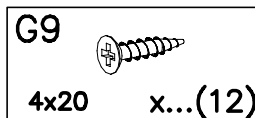
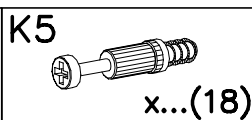
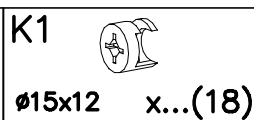
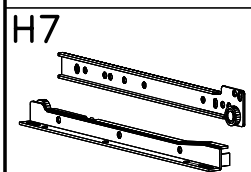
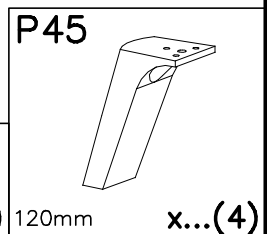
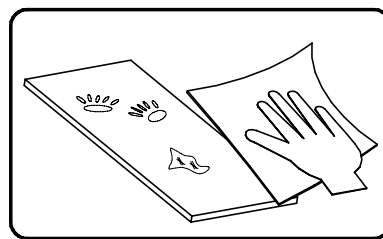
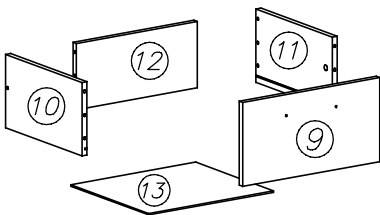
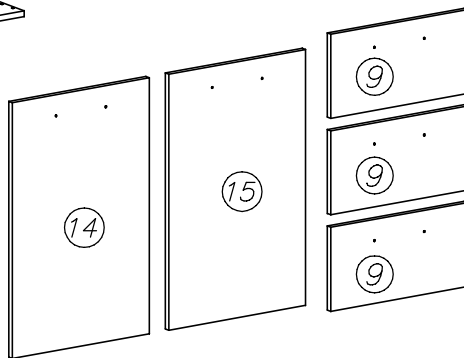
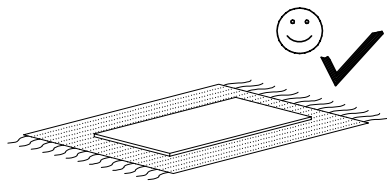


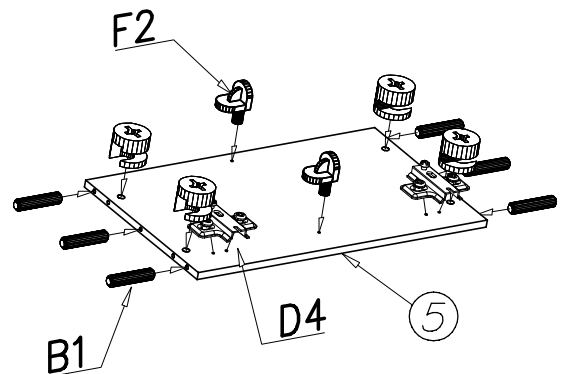
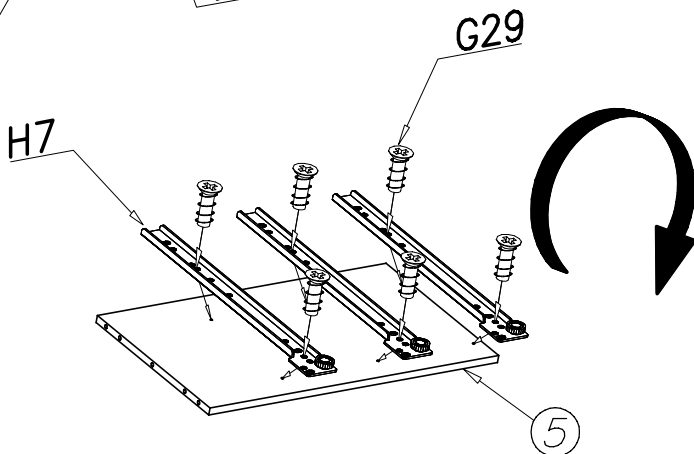
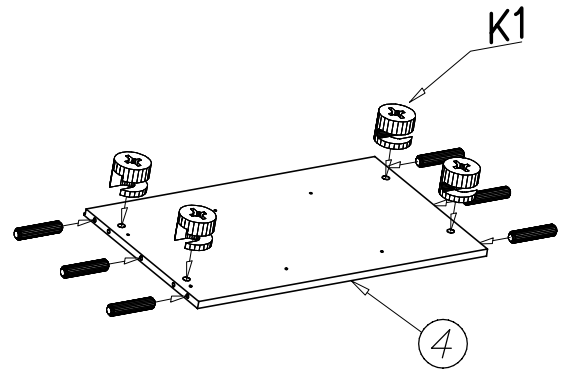
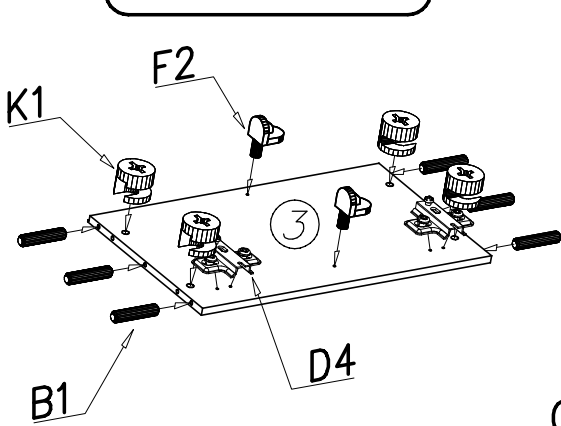
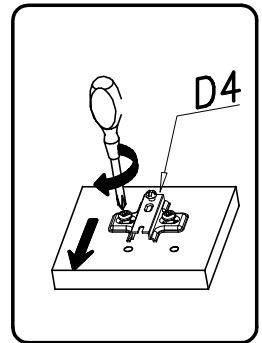
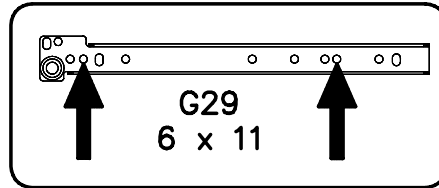
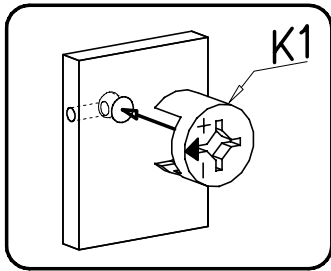
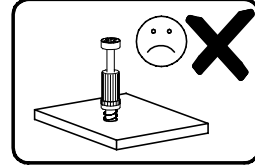
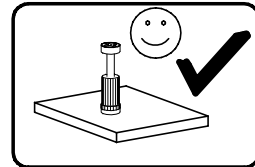
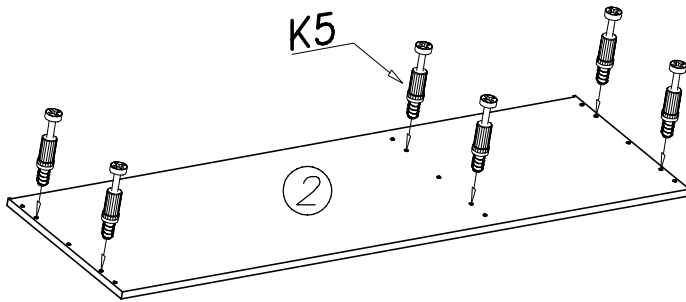
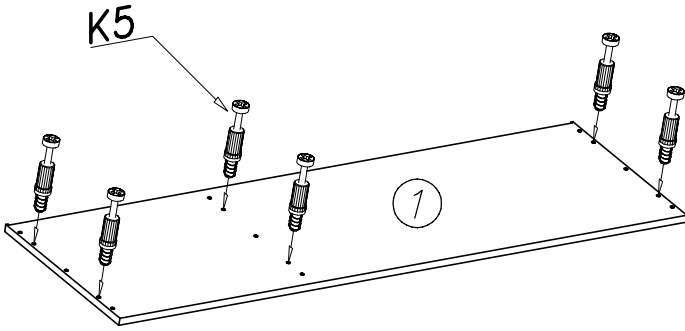
No.	L[mm]	W[mm]	T[mm]	Stc.
1	411	1382	16	1
2	411	1382	16	1
3	704	410	16	1
4	704	410	16	1
5	704	406	16	1
6	386	886	16	1
7	451	722	2,5	2
8	463	722	2,5	1
9	229	440	16	3
10	200	350	16	3
11	200	350	16	3
12	180	388	16	3
13	403	358	2,5	3
14	697	440	16	1
15	697	440	16	1



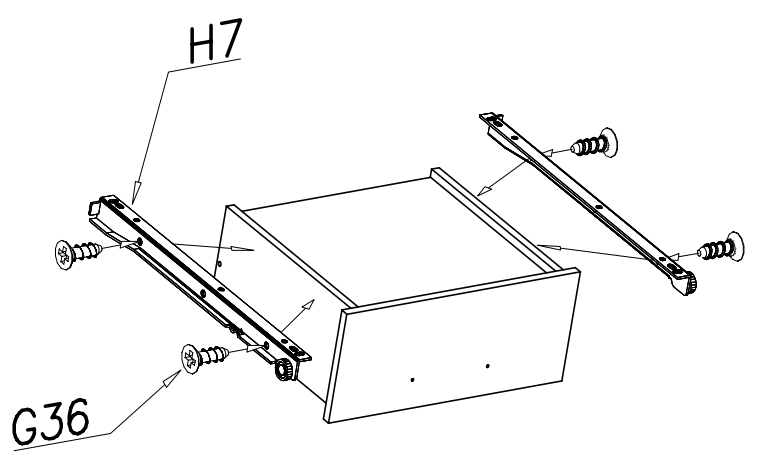
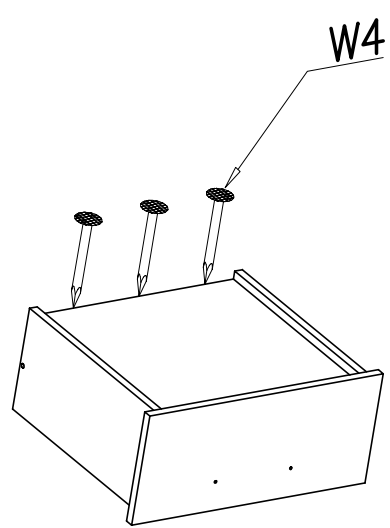
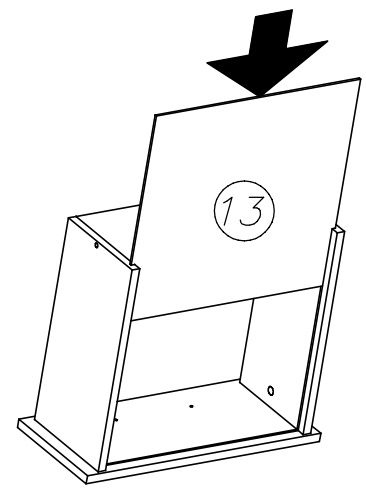
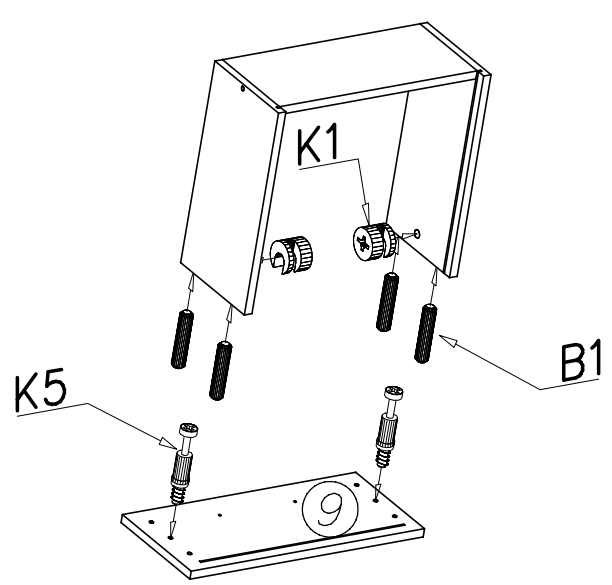
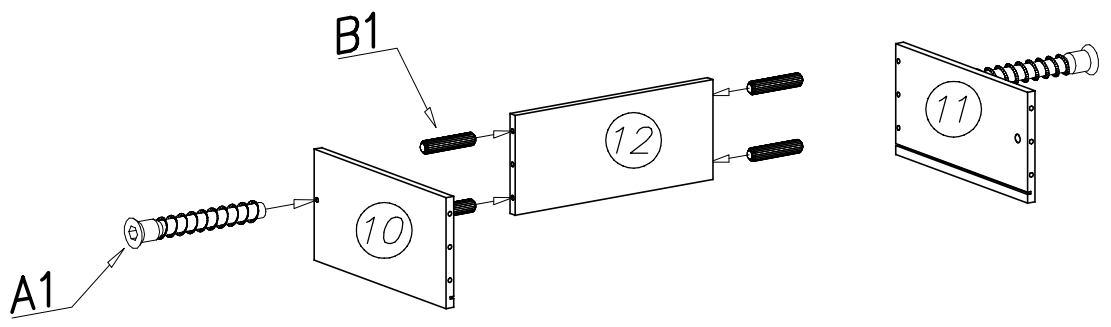
I


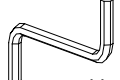

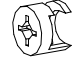
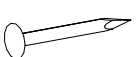

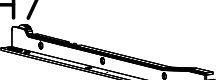
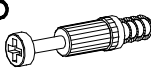



K1		K5	
ø15x12	x...(12)	x...(12)	
H7	L	D4	
		x...(4)	
		B1	
		x...(3)	ø8x35
		x...(18)	
		G29	
		6x11	x...(6)
		F1	
		x...(4)	

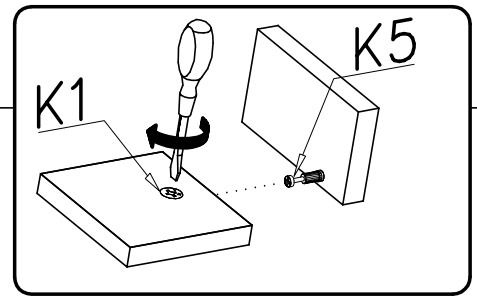
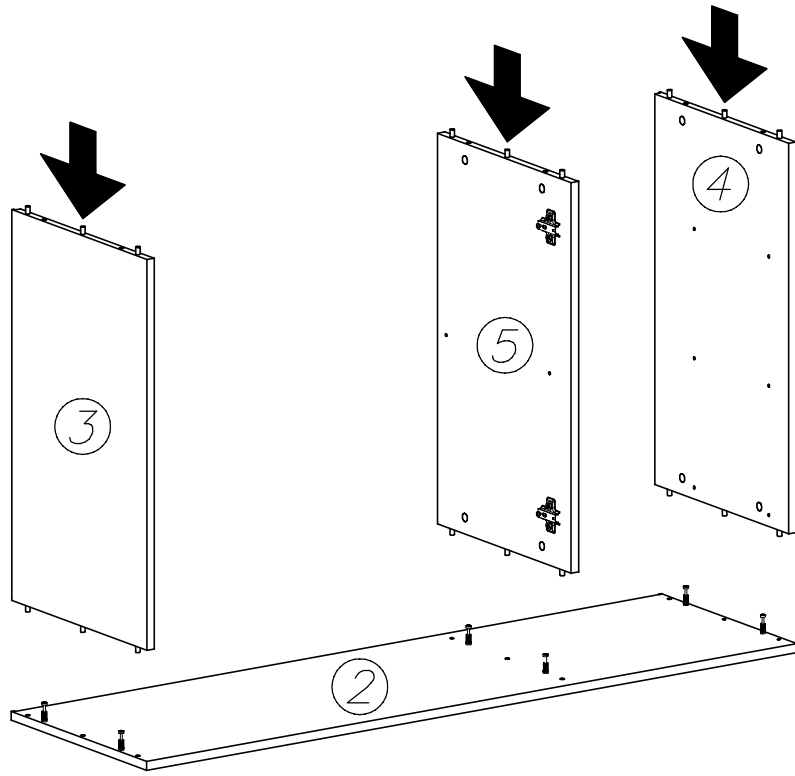


II x3

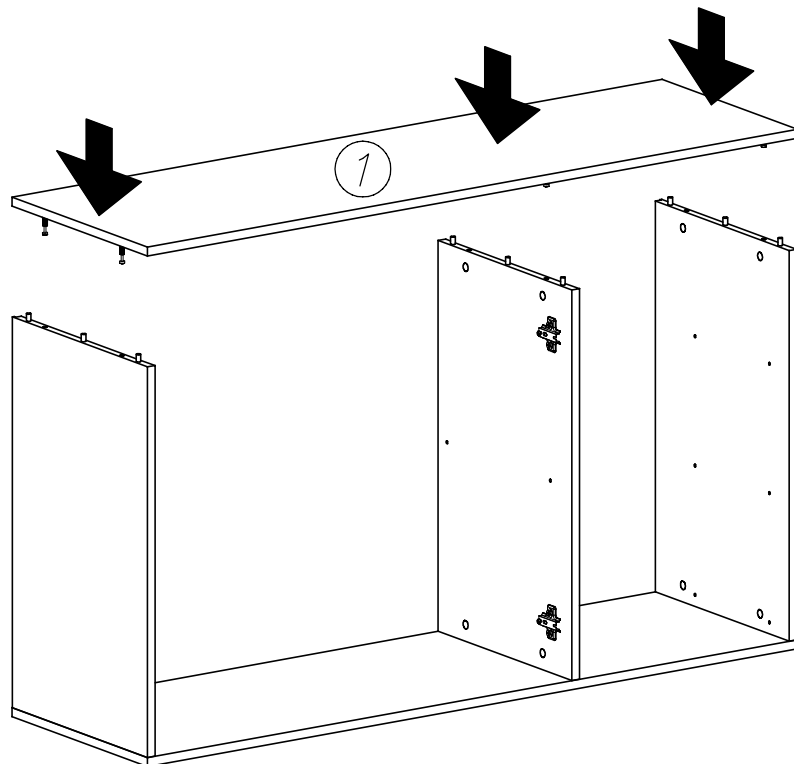


<p>A1</p>  <p>Ø7x50 x...(6)</p>	<p>W2</p>  <p>x...(1)</p>	<p>H7</p>  <p>x...(3)</p>	<p>K1</p>  <p>Ø15x12 x...(6)</p>	<p>W4</p>  <p>x...(12)</p>
<p>G36</p>  <p>3,5x13 x...(12)</p>	<p>H7</p>  <p>x...(3)</p>	<p>K5</p>  <p>x...(6)</p>	<p>B1</p>  <p>Ø8x35 x...(24)</p>	

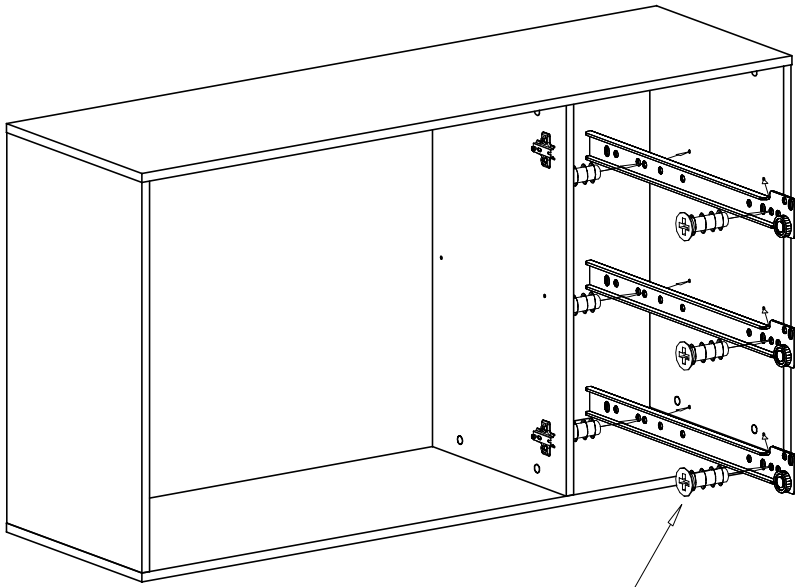
III



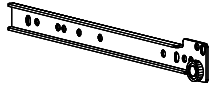
IV



V



H7 R



x...(3)

G29

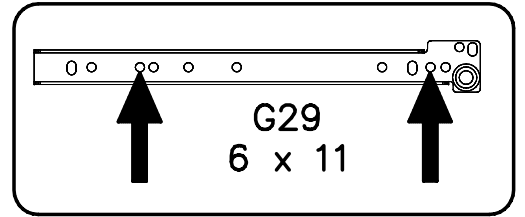


6x11

x...(6)

H7

G29



VI

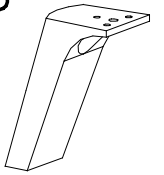
G9



4x20

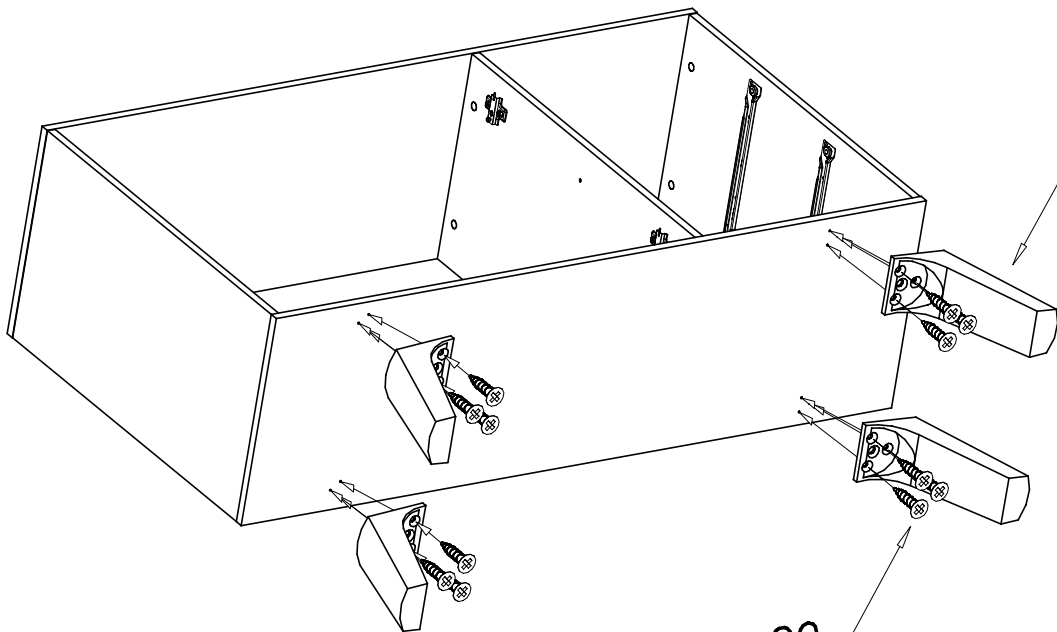
x...(12)

P45



120mm

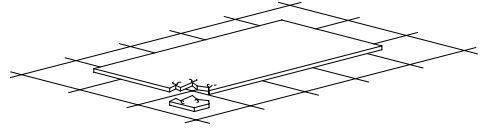
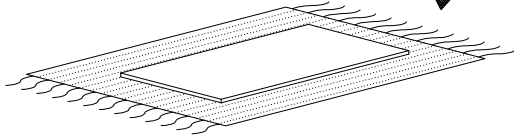
x...(4)



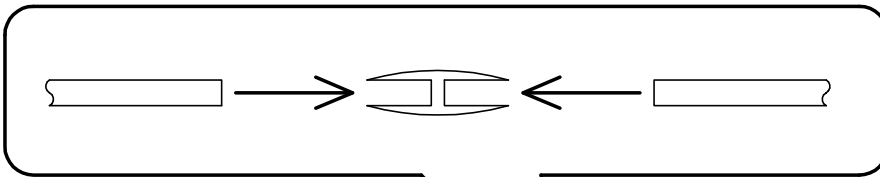
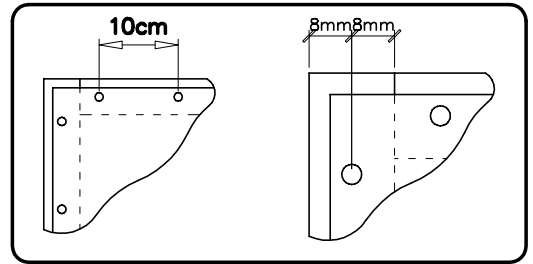
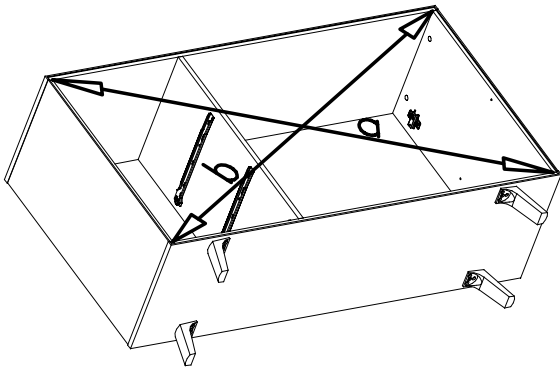
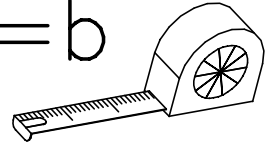
P45

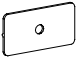


G9

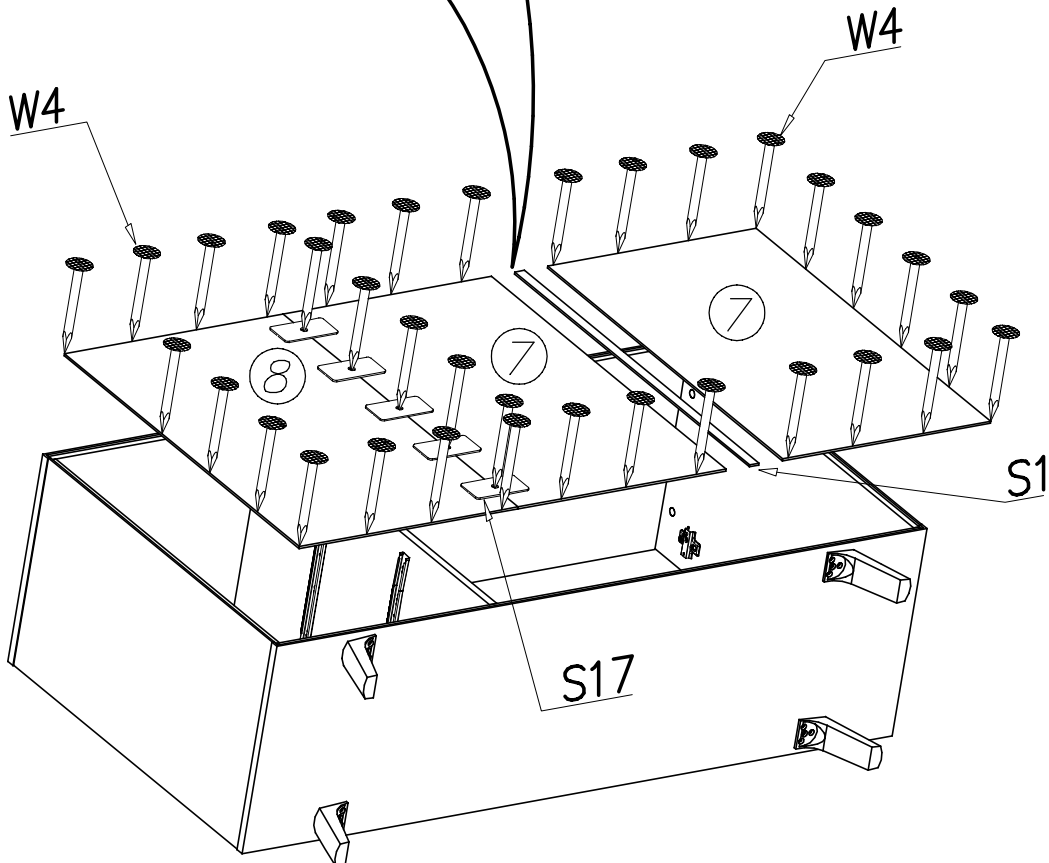
# VII



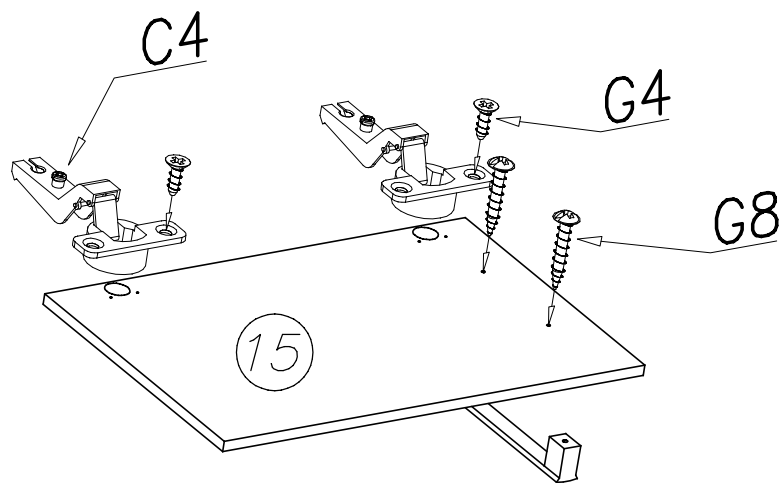
$a = b$



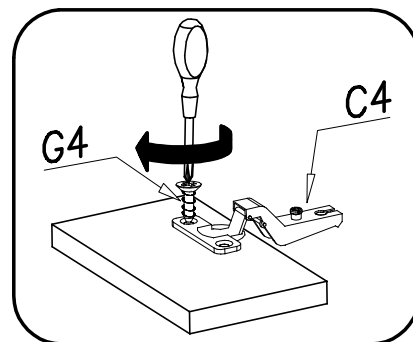
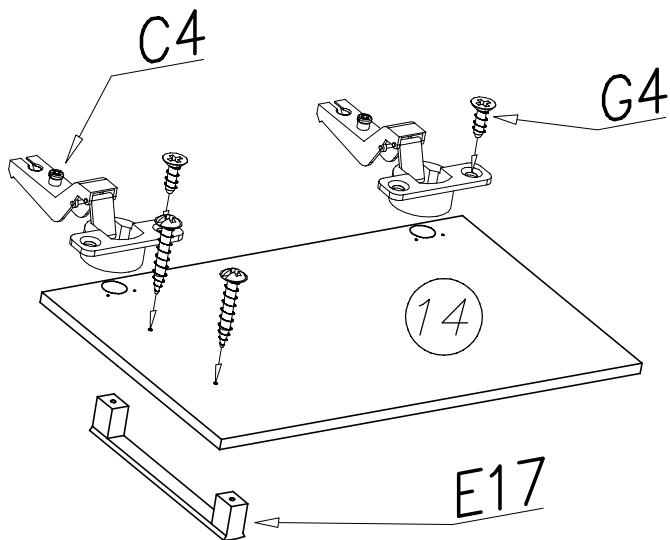
- S17  x...(6)
- S1  x...(1)
- W4  x...(58)



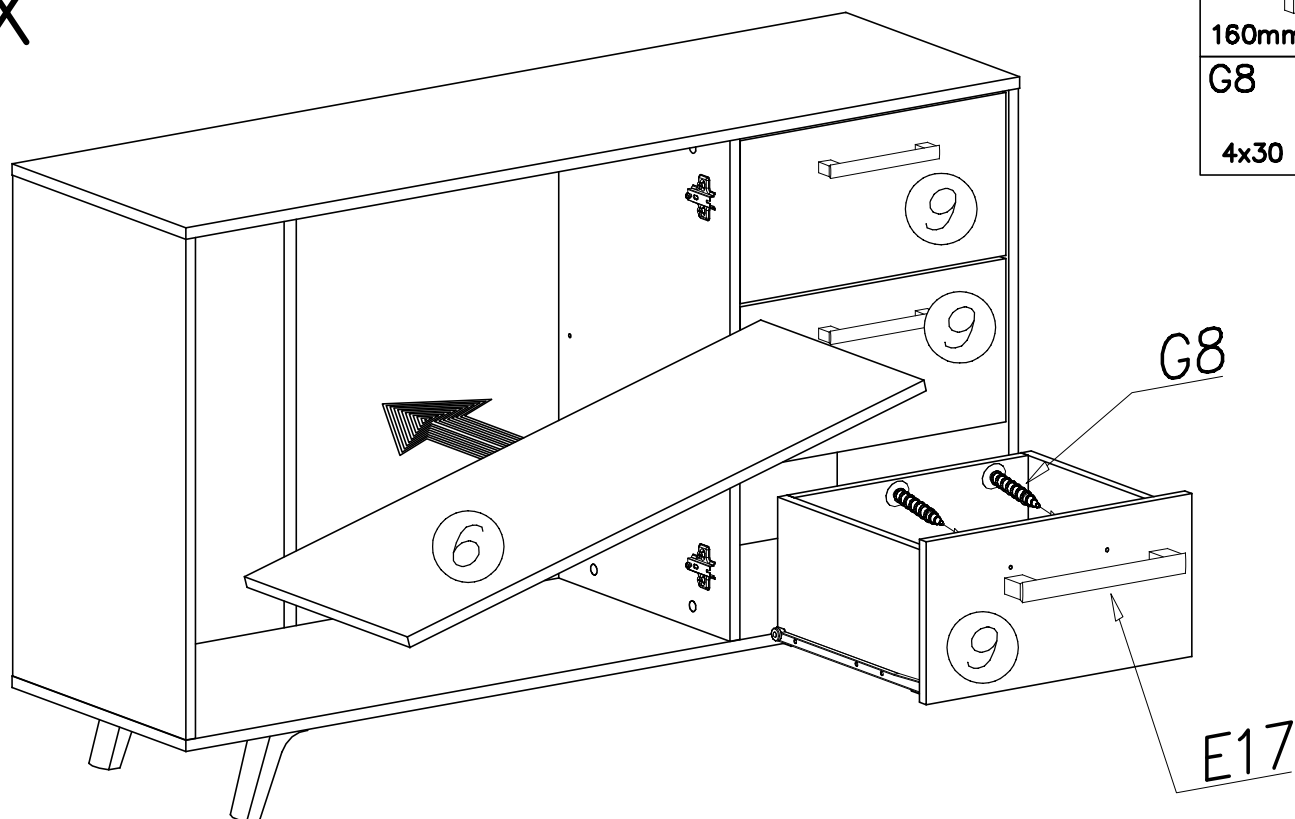
# VIII



C4		x...(2)
G4		4x16 x...(8)
E17		160mm x...(2)
G8		4x30 x...(4)



# IX



E17		160mm x...(3)
G8		4x30 x...(6)



X

I12



x...(18)

