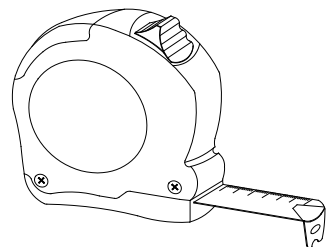
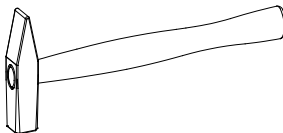
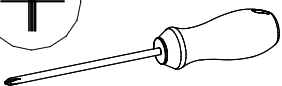
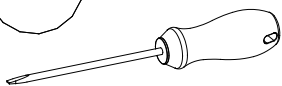
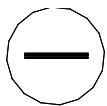
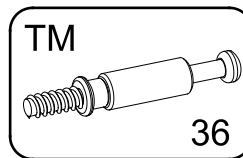
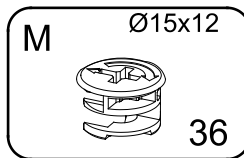
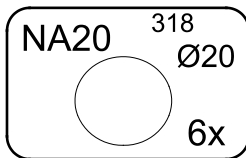
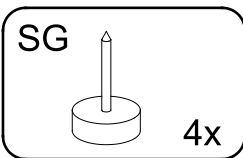
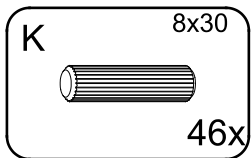
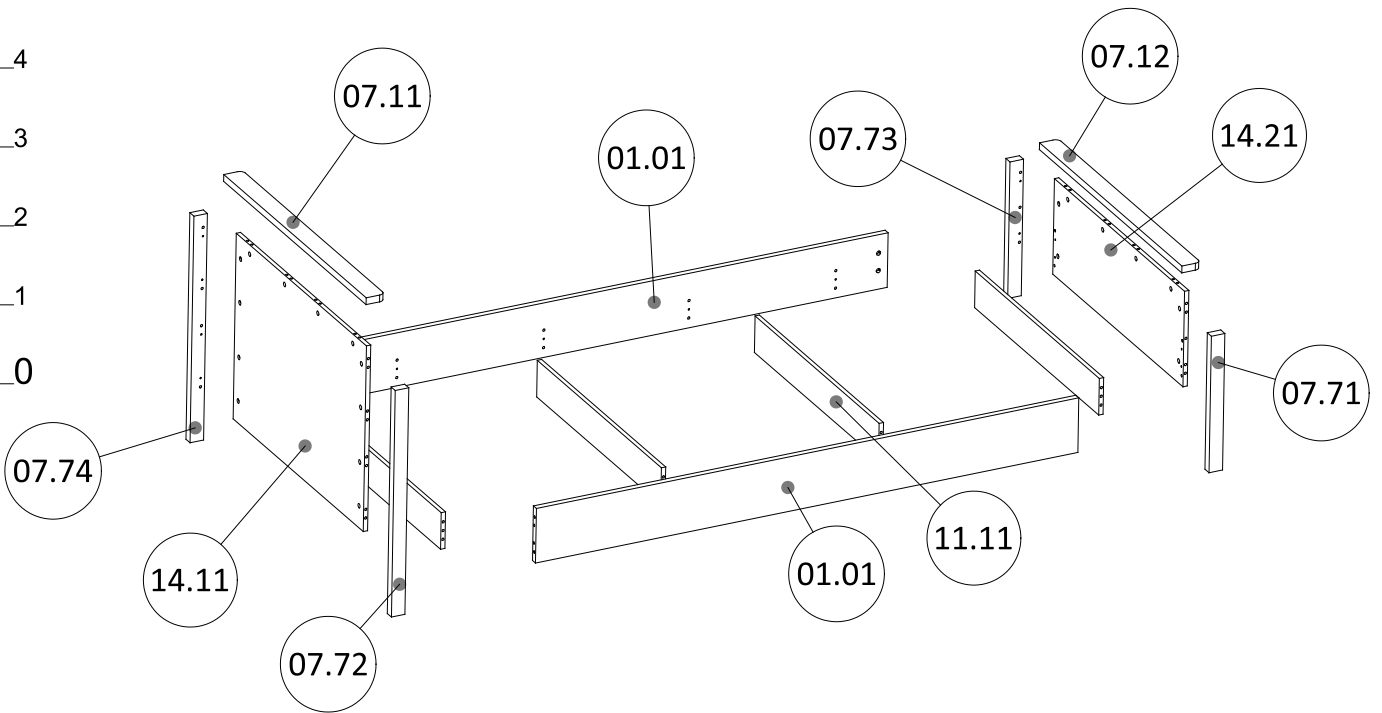
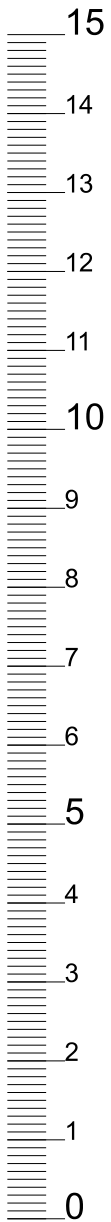


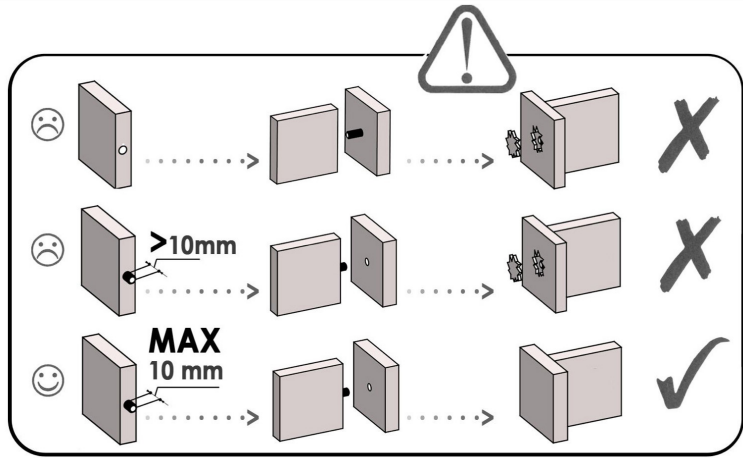
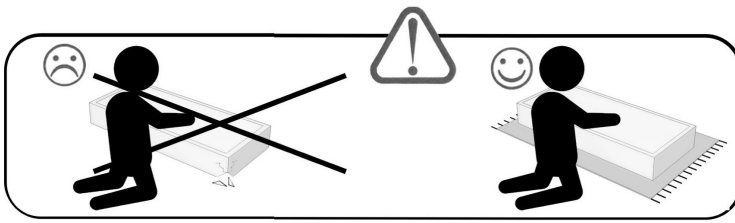
60 min



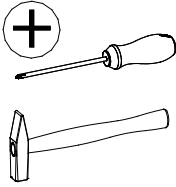
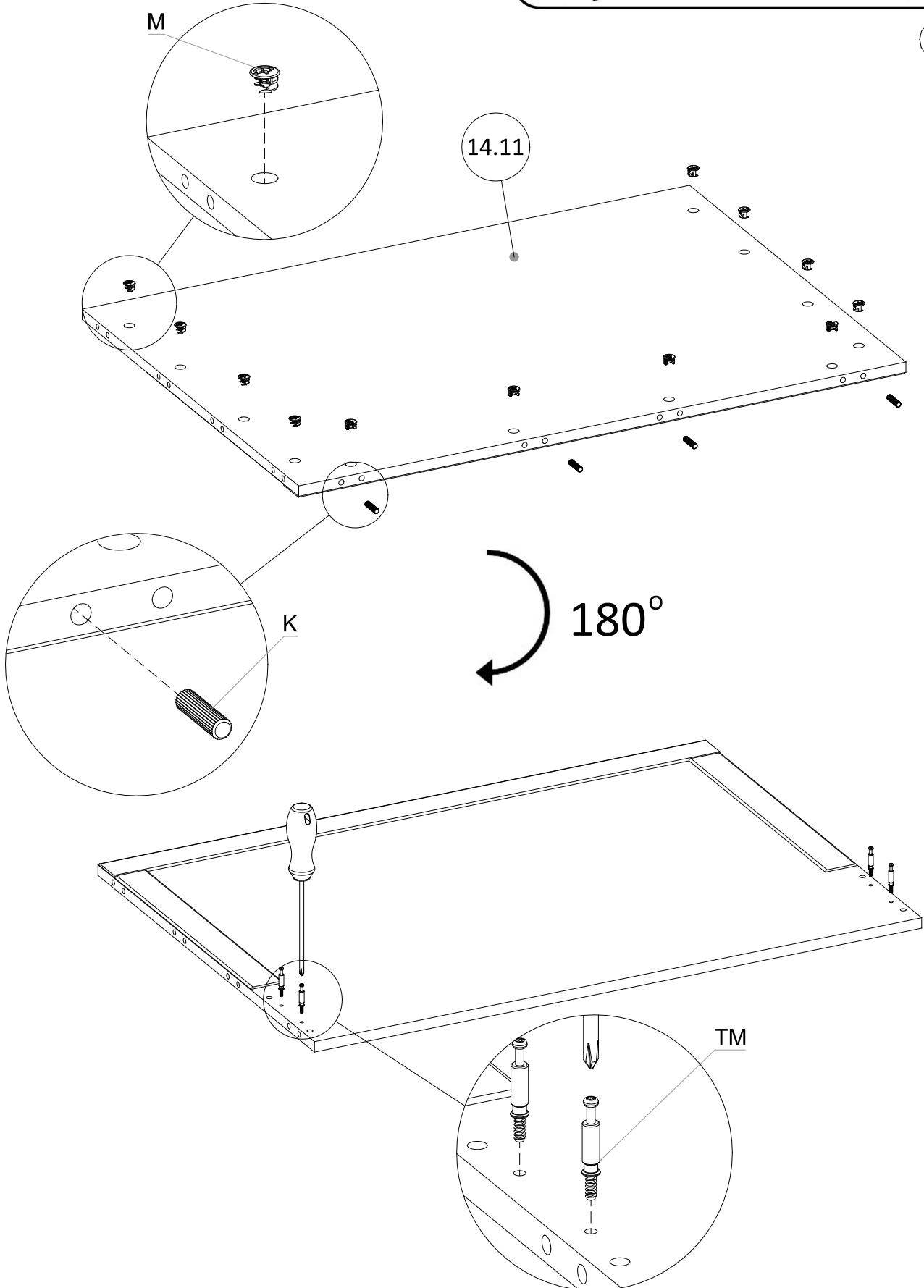
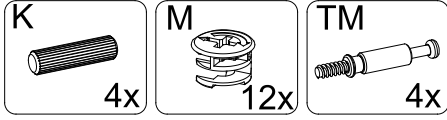
v.1

01.01	2010,0	200,0	22,0	2	1/3
07.11	1044,0	70,0	25,0	1	1/3
07.12	1044,0	70,0	25,0	1	1/3
07.71	500,0	50,0	30,0	1	2/3
07.72	830,0	50,0	30,0	1	2/3
07.73	500,0	50,0	30,0	1	2/3
07.74	830,0	50,0	30,0	1	2/3
11.11	910,0	134,0	16,0	4	2/3
14.11	954,0	680,0	16,0	1	2/3
14.21	954,0	350,0	16,0	1	2/3

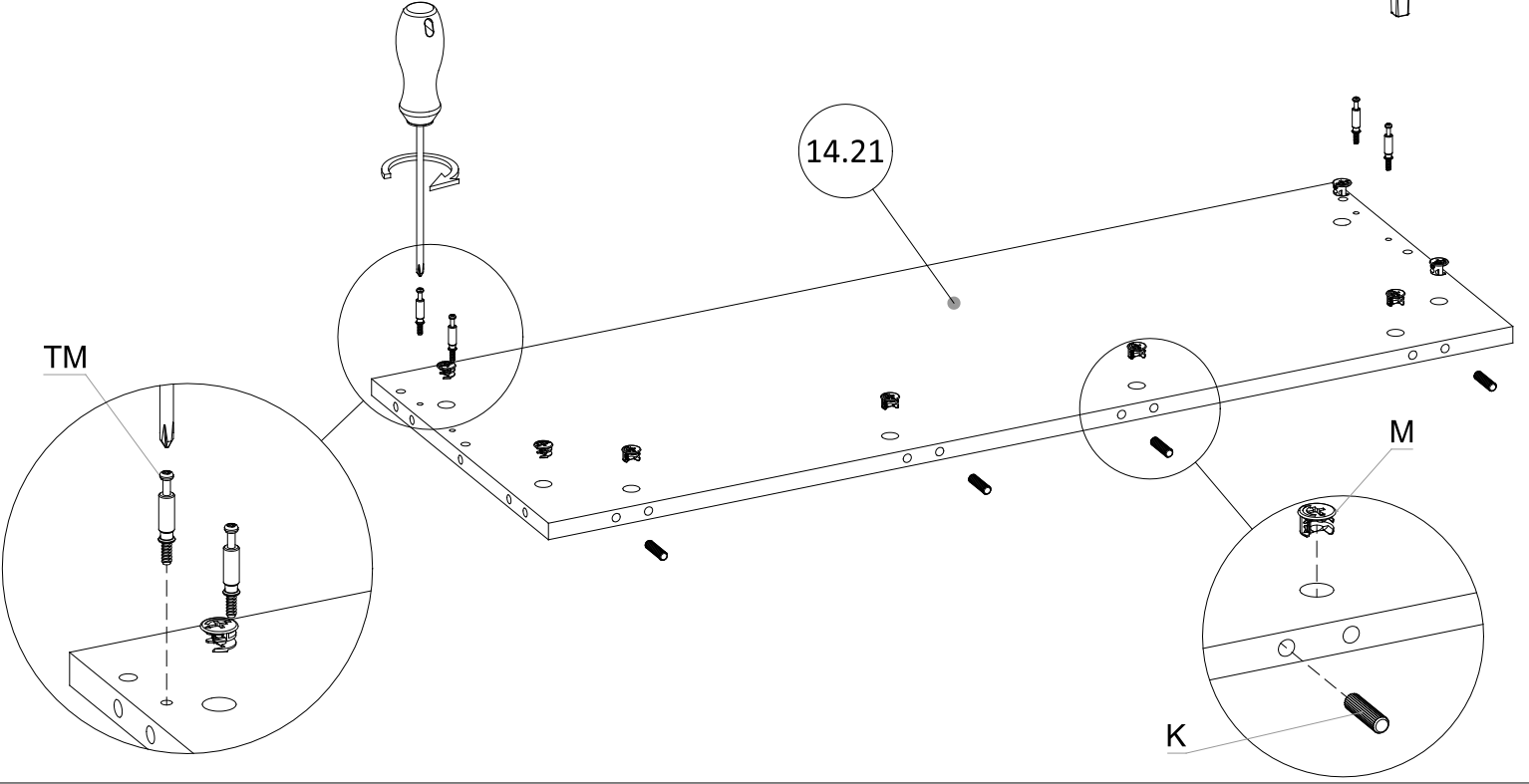
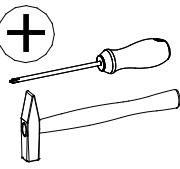
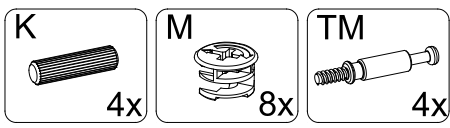




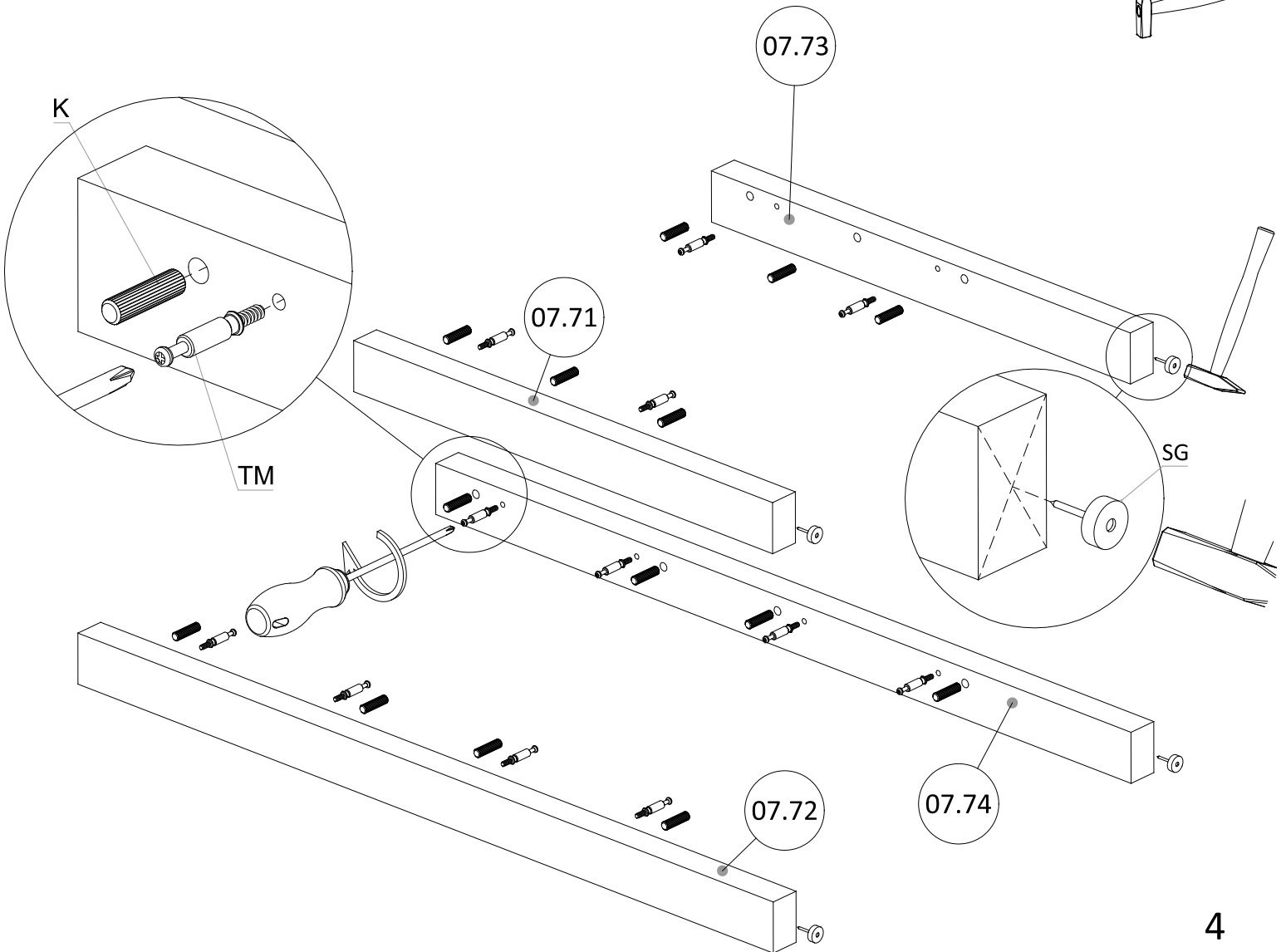
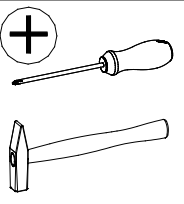
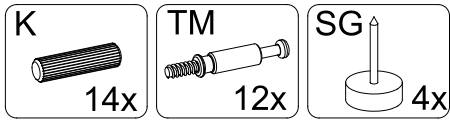
1



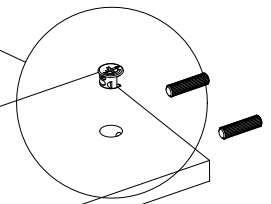
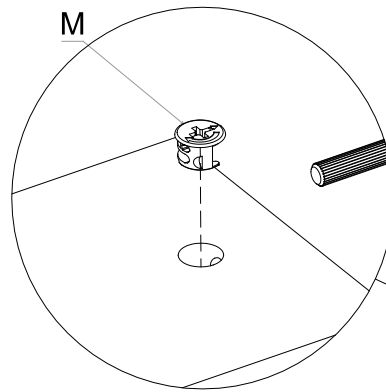
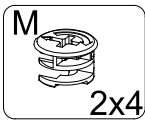
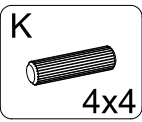
2



3

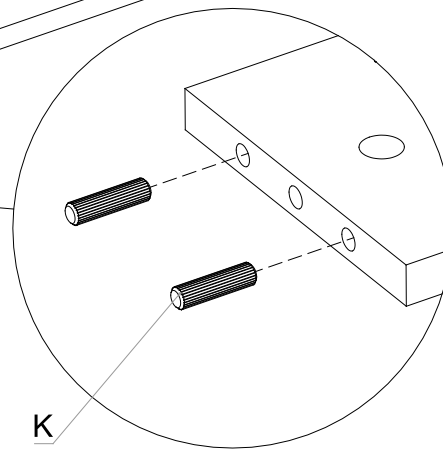
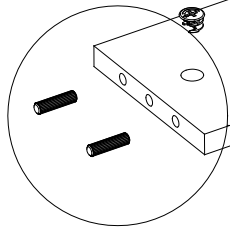


4



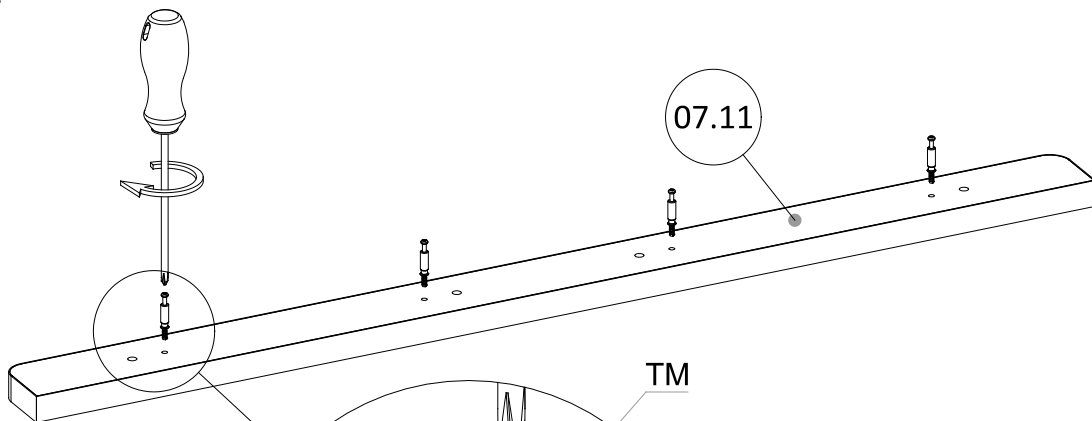
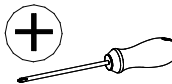
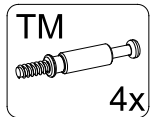
4x

11.11

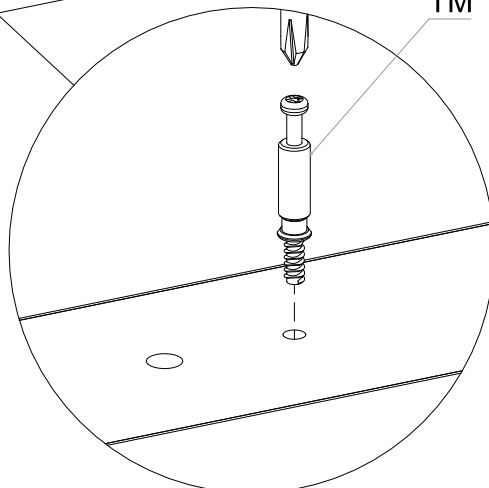


K

5

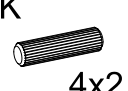
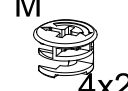
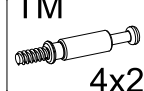


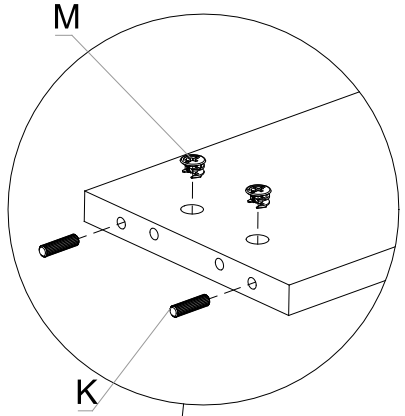
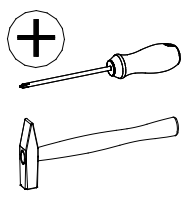
07.11



TM

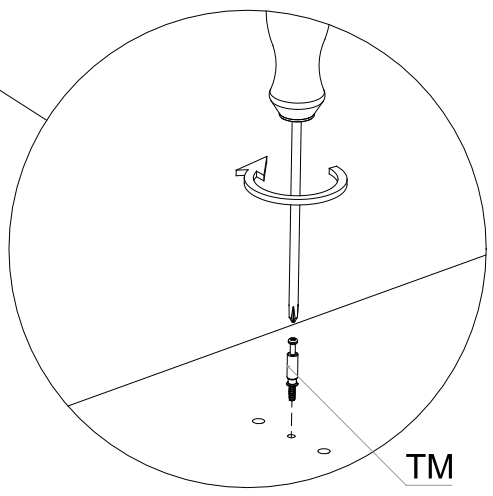
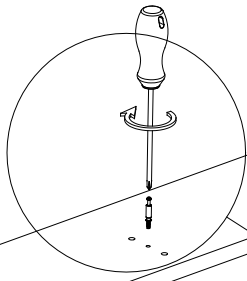
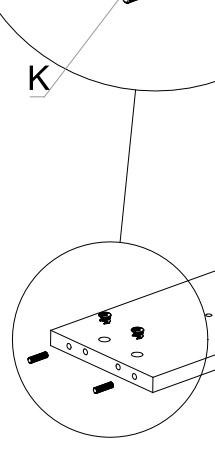
6

- K** 4x2 
- M** 4x2 
- TM** 4x2 



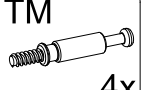
2x

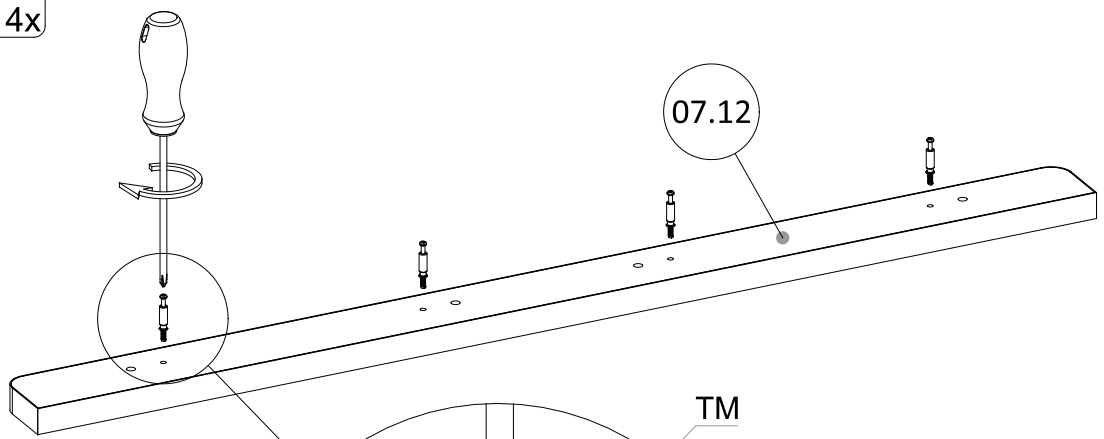
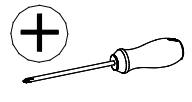
01.01



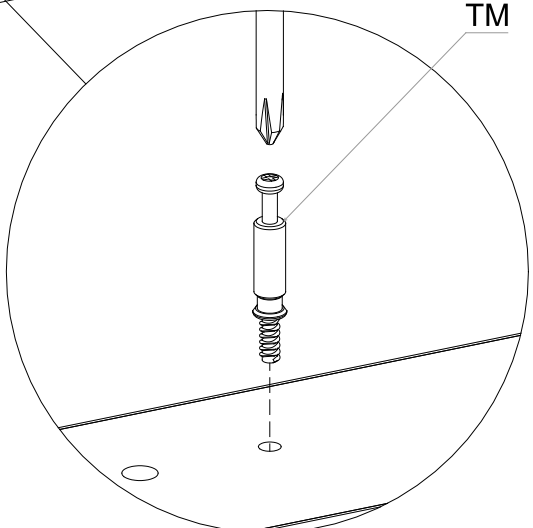
TM

7

- TM** 4x 

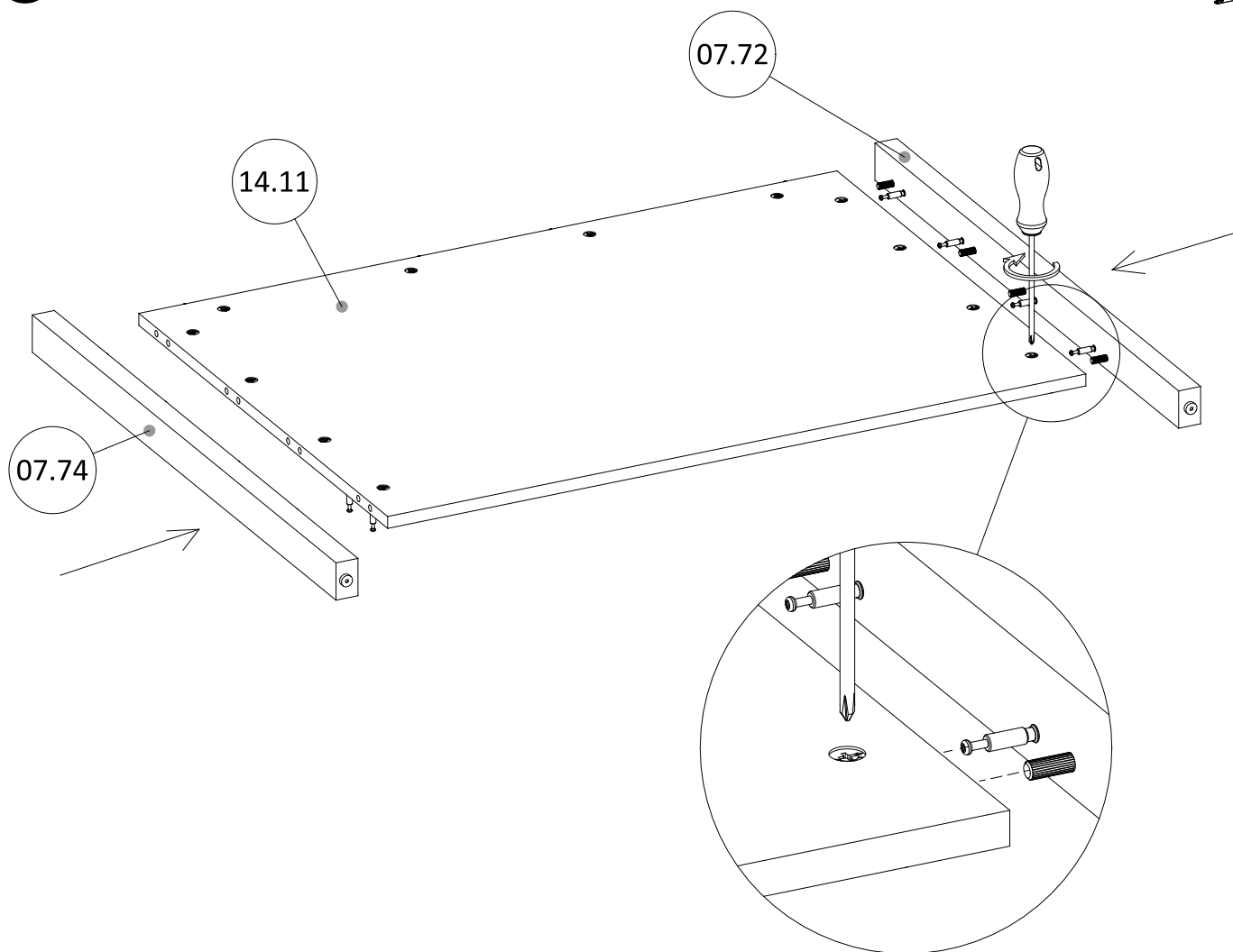
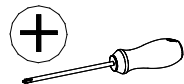


07.12

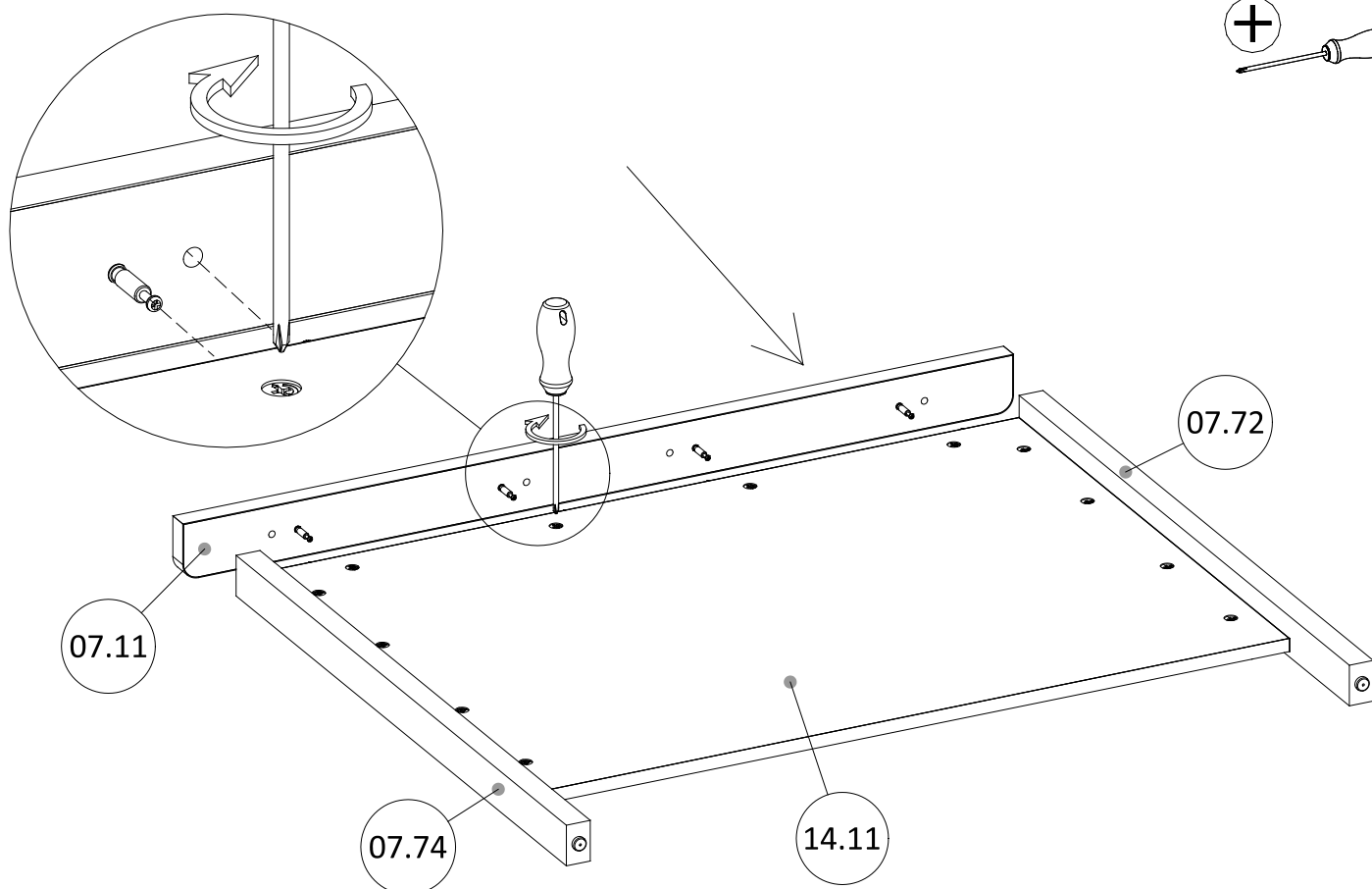
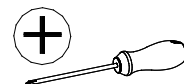


TM

8

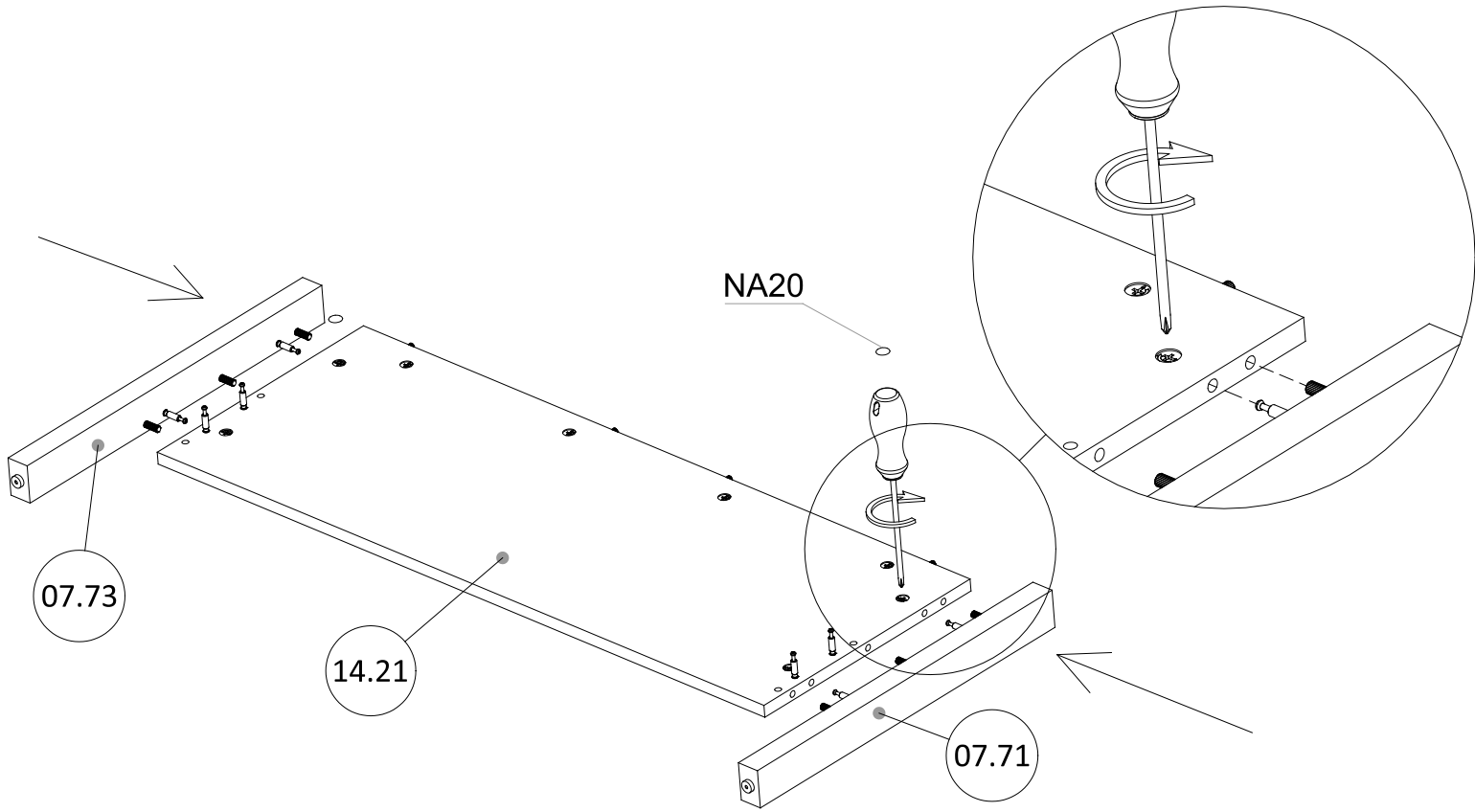
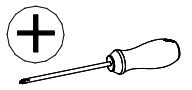


9



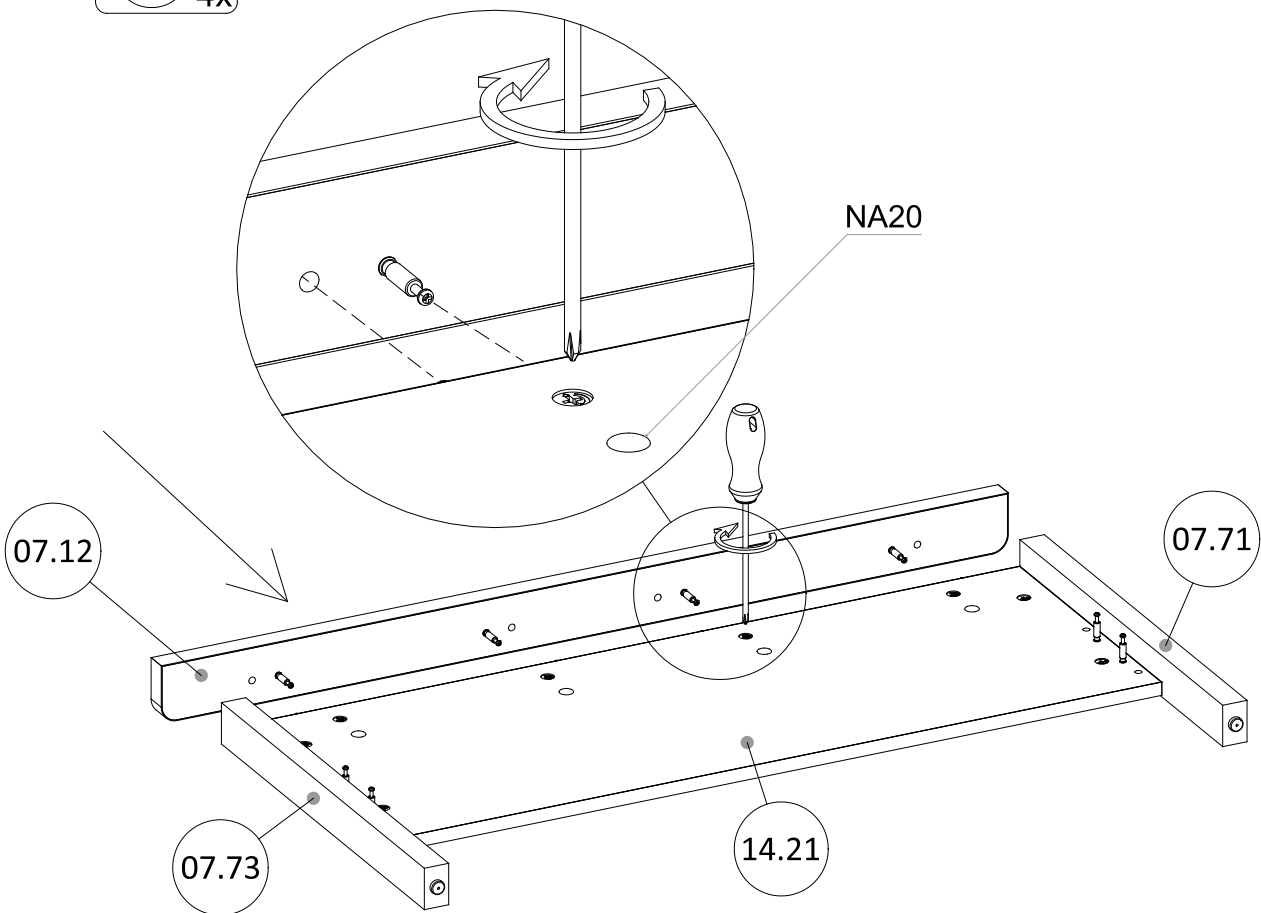
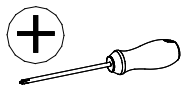
10

NA20
2x

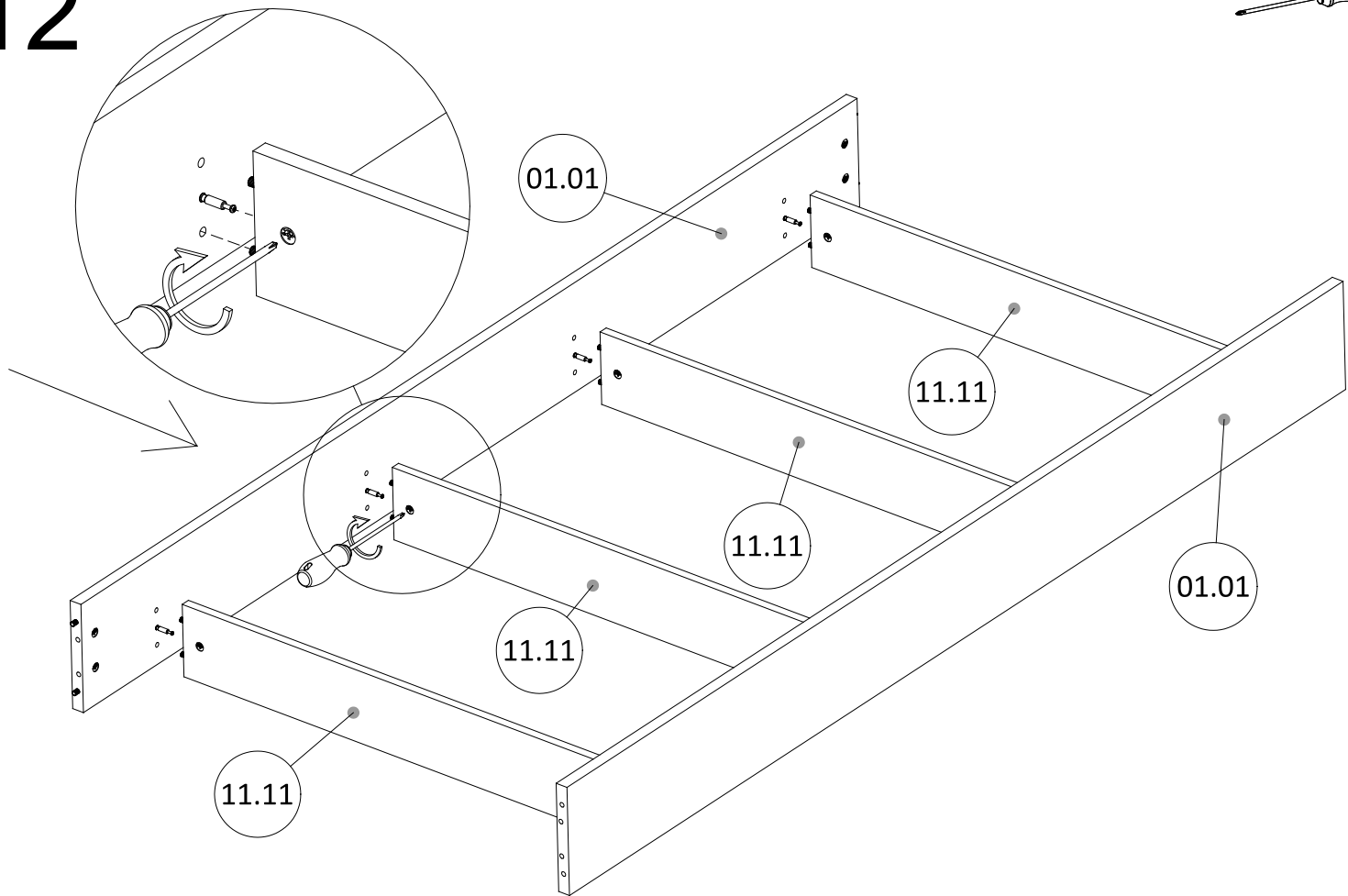
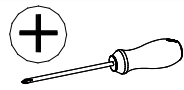


11

NA20
4x



12



13

