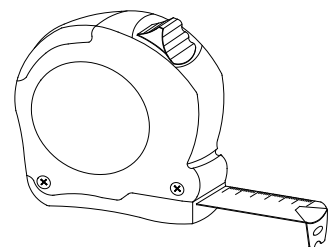
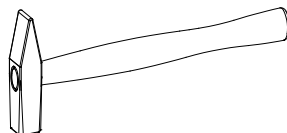
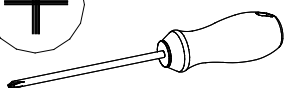
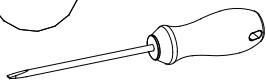
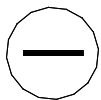
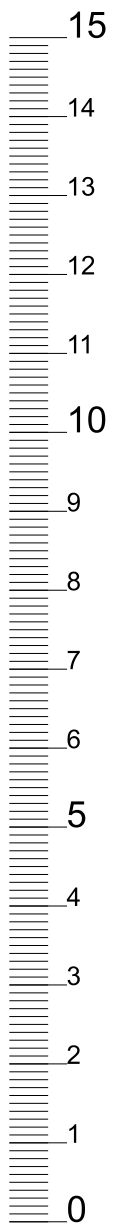


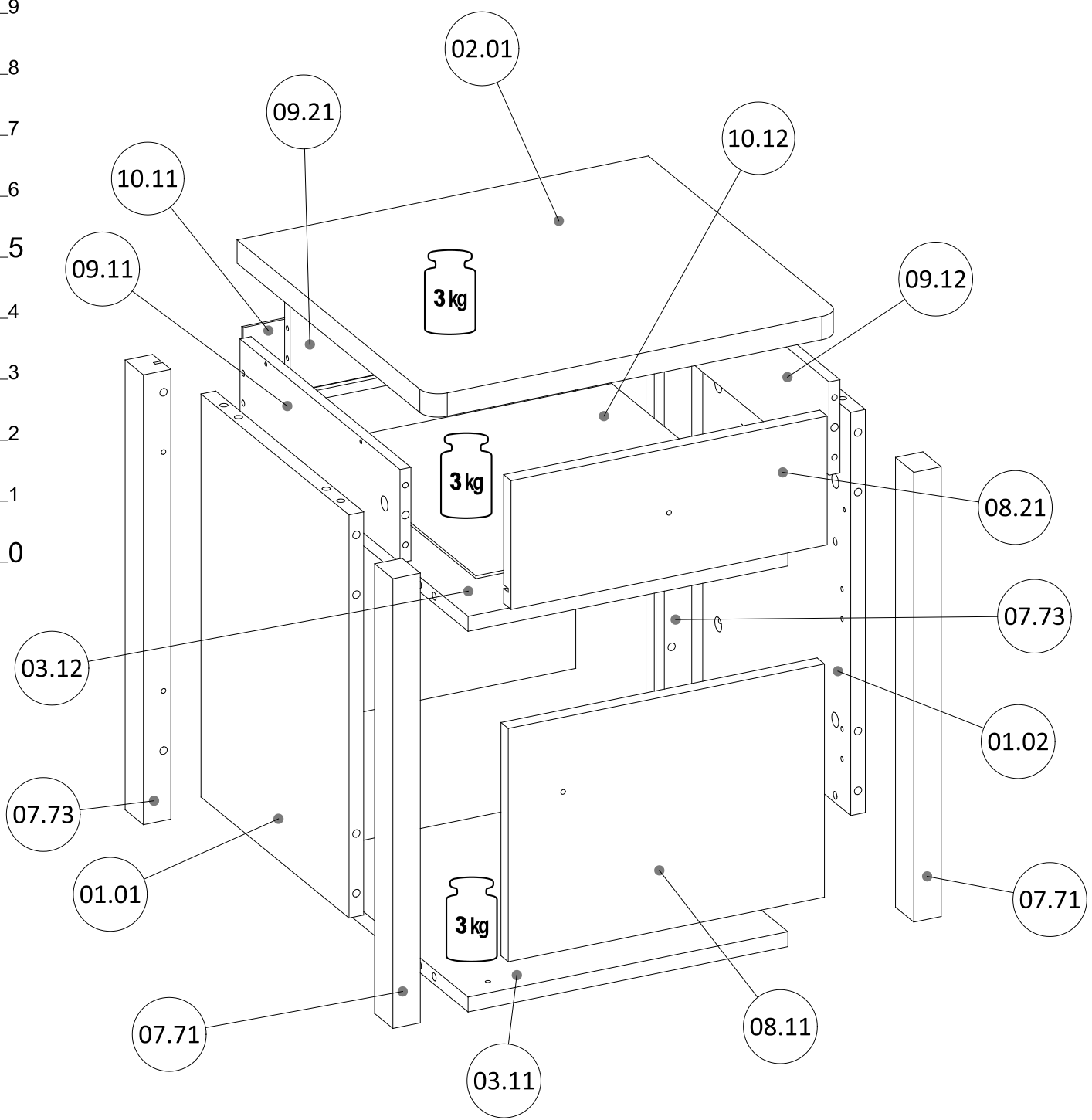
60min

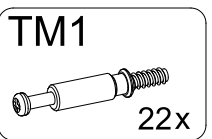
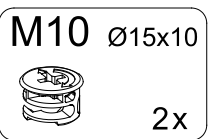
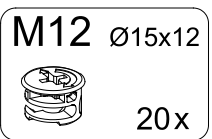
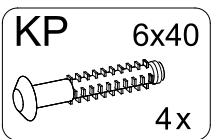
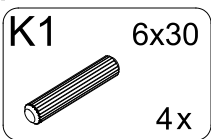
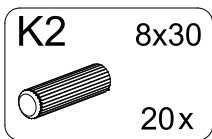
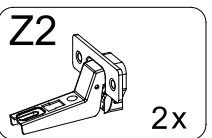
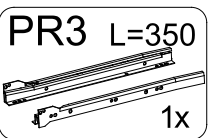
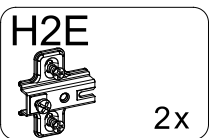
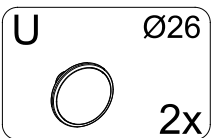
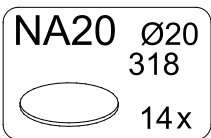
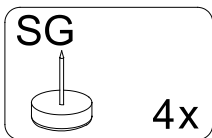
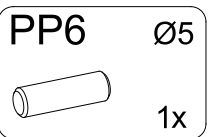
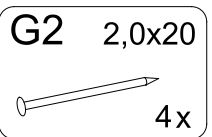
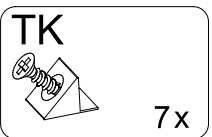
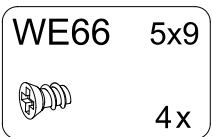
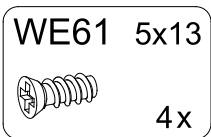
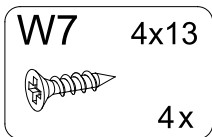
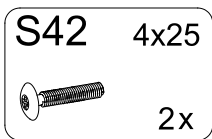
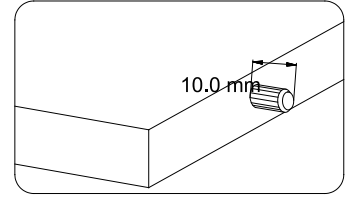
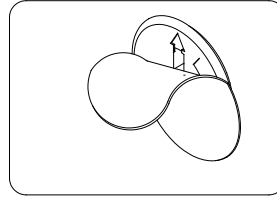
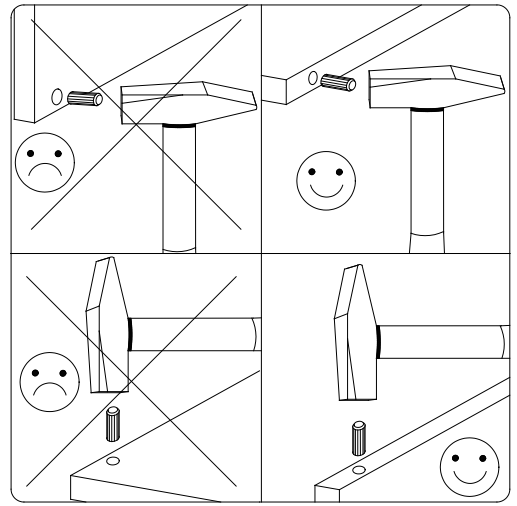
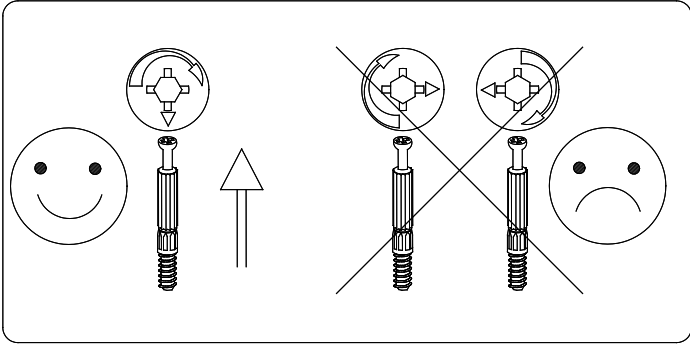
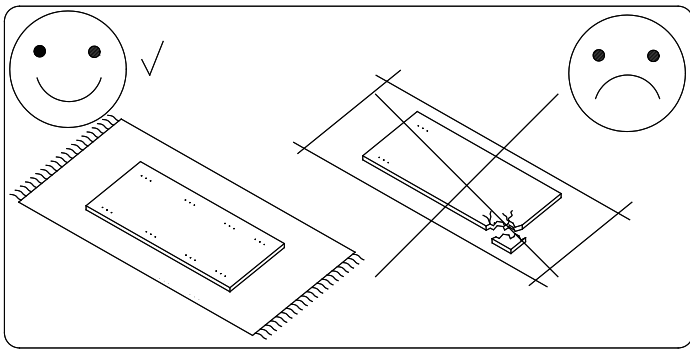


v.1



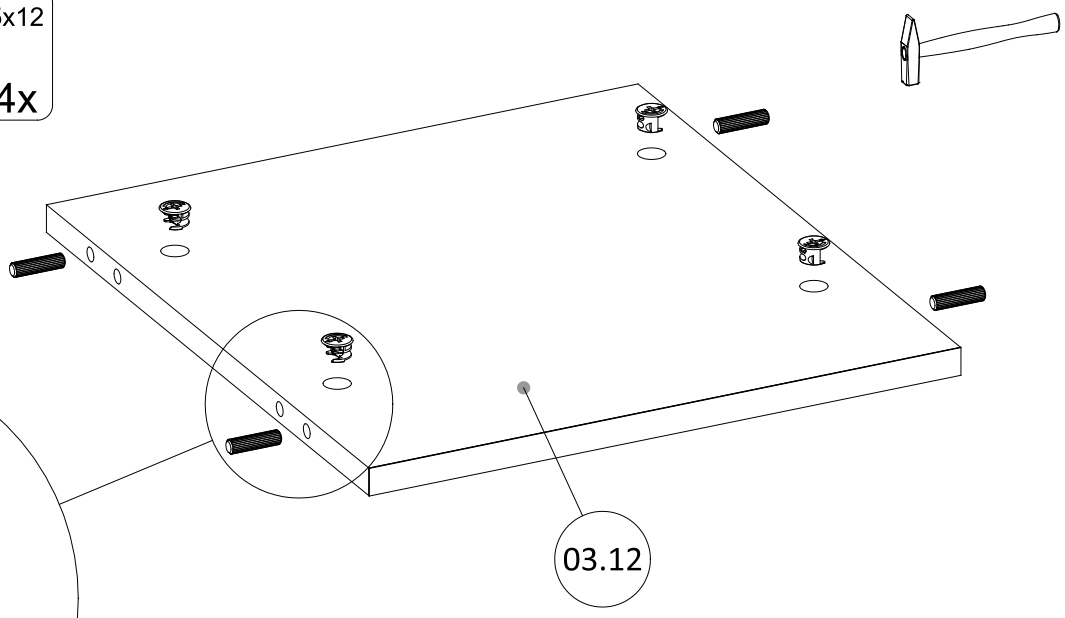
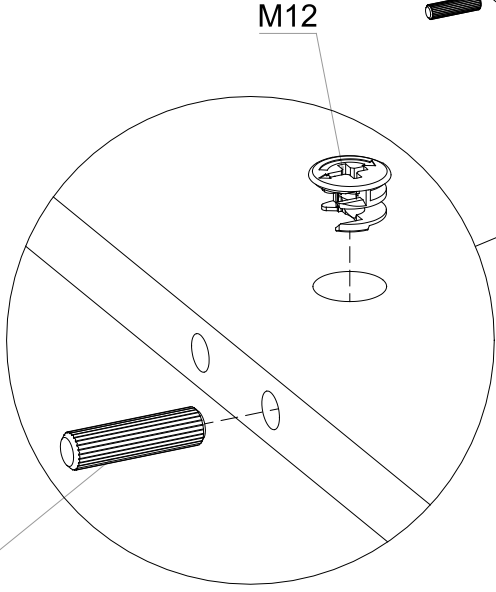
01.01	432,0	324,0	16,0	1	1/1
01.02	432,0	324,0	16,0	1	1/1
02.01	450,0	420,0	25,0	1	1/1
03.11	350,0	382,0	16,0	1	1/1
03.12	350,0	382,0	16,0	1	1/1
07.71	482,0	40,0	30,0	2	1/1
07.73	482,0	40,0	30,0	2	1/1
08.11	346,0	250,0	16,0	1	1/1
08.21	346,0	138,0	16,0	1	1/1
09.11	350,0	100,0	12,0	1	1/1
09.12	350,0	100,0	12,0	1	1/1
09.21	301,0	114,0	12,0	1	1/1
10.11	438,0	364,0	3,0	1	1/1
10.12	325,0	353,0	3,0	1	1/1





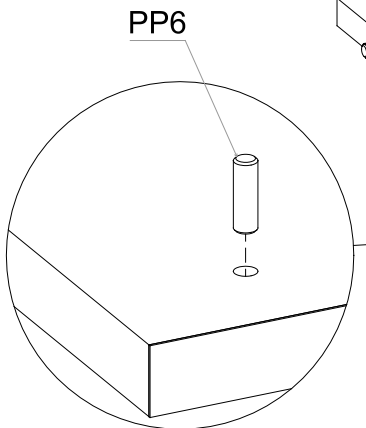
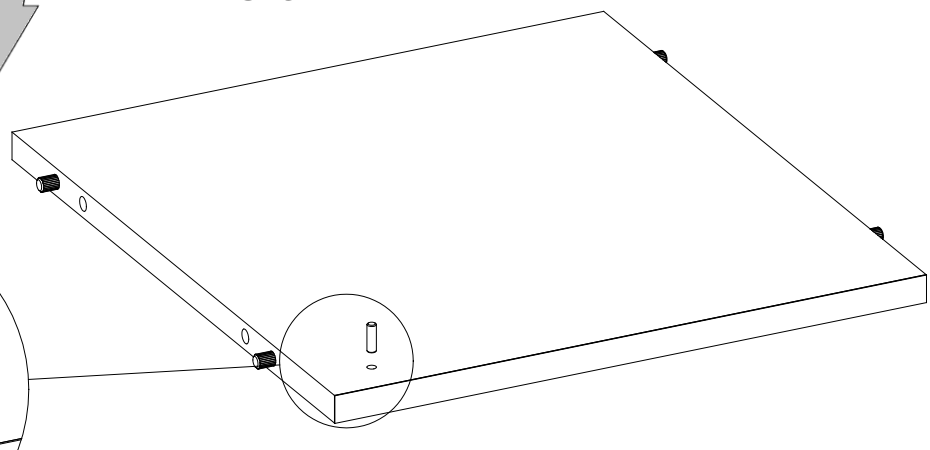
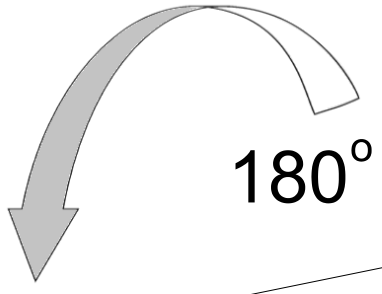
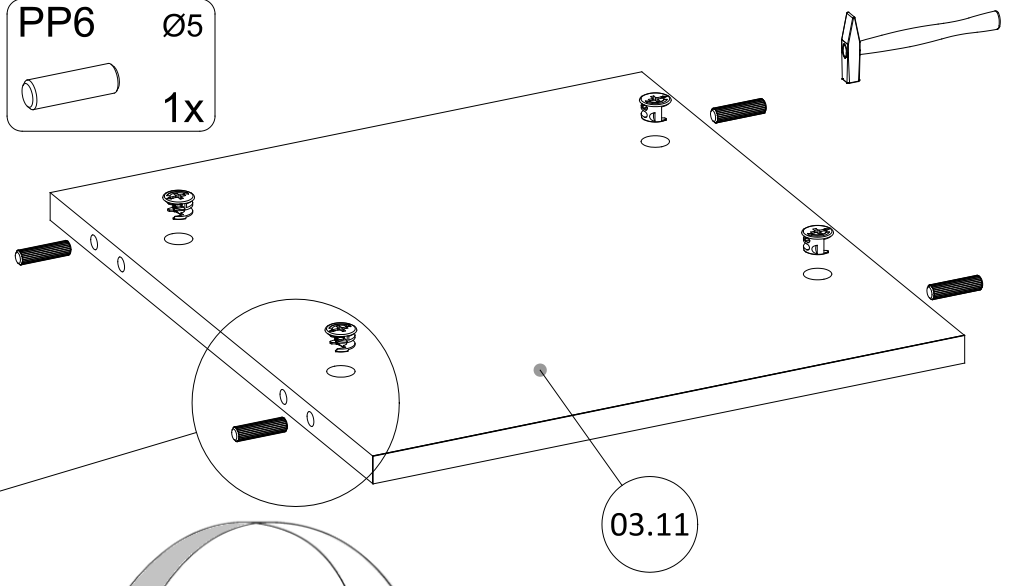
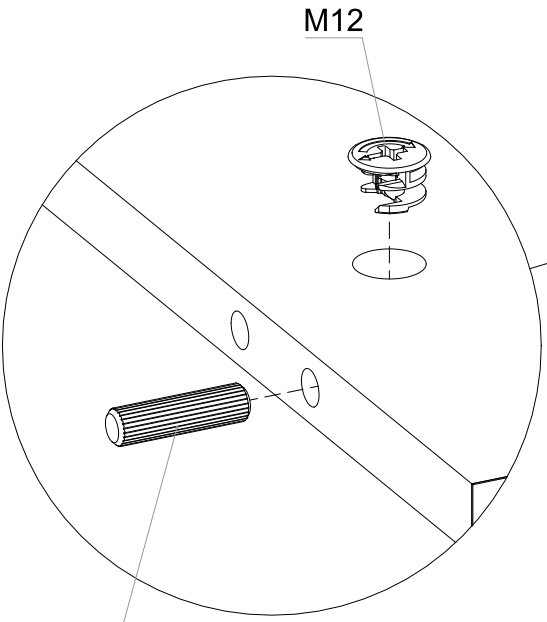
1

- K2 8x30 4x
- M12 Ø15x12 4x

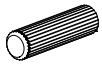

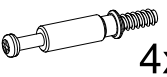


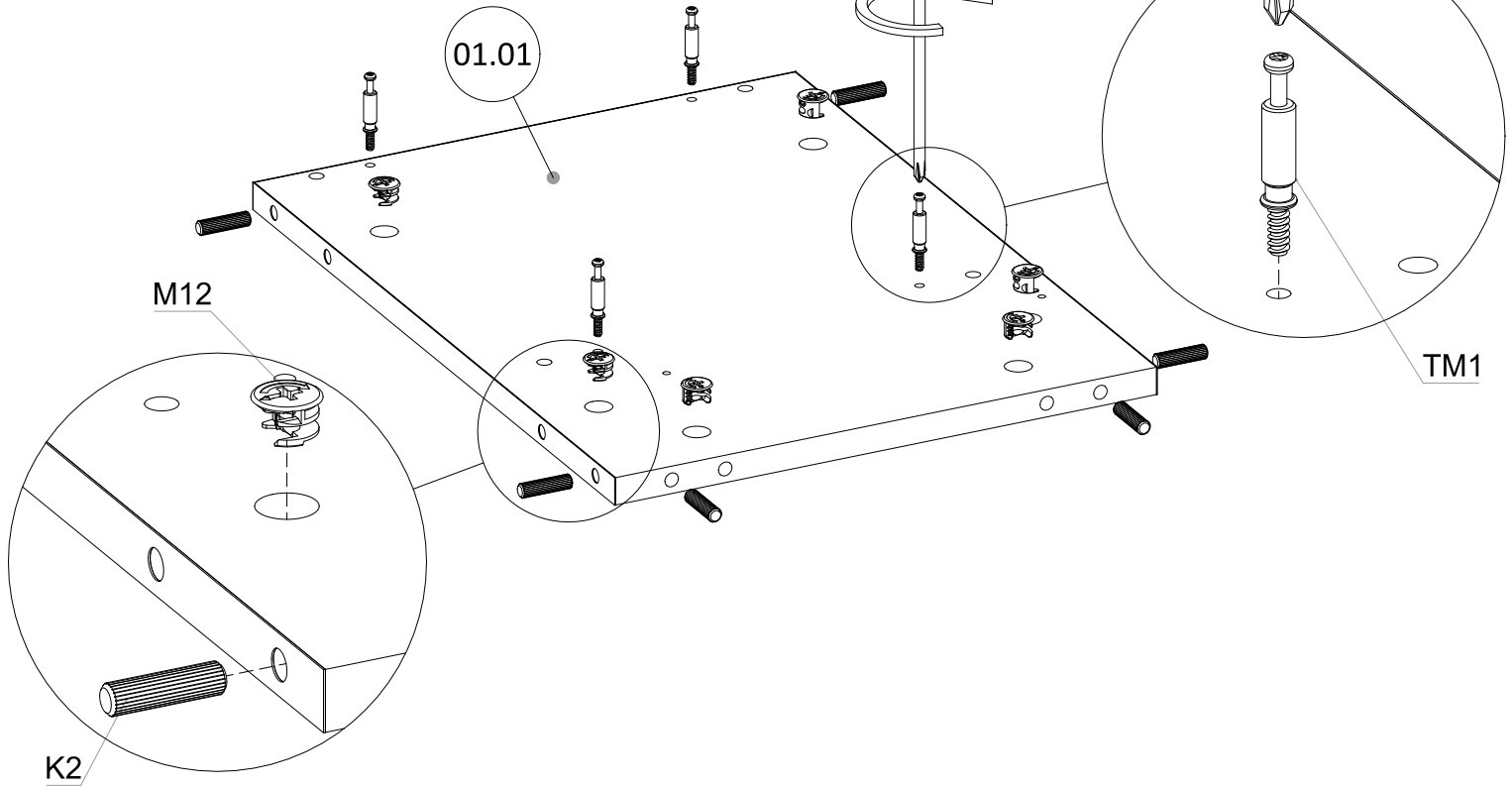
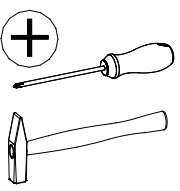
2

- K2 8x30 4x
- M12 Ø15x12 4x
- PP6 Ø5 1x

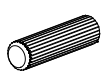

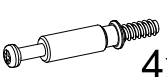


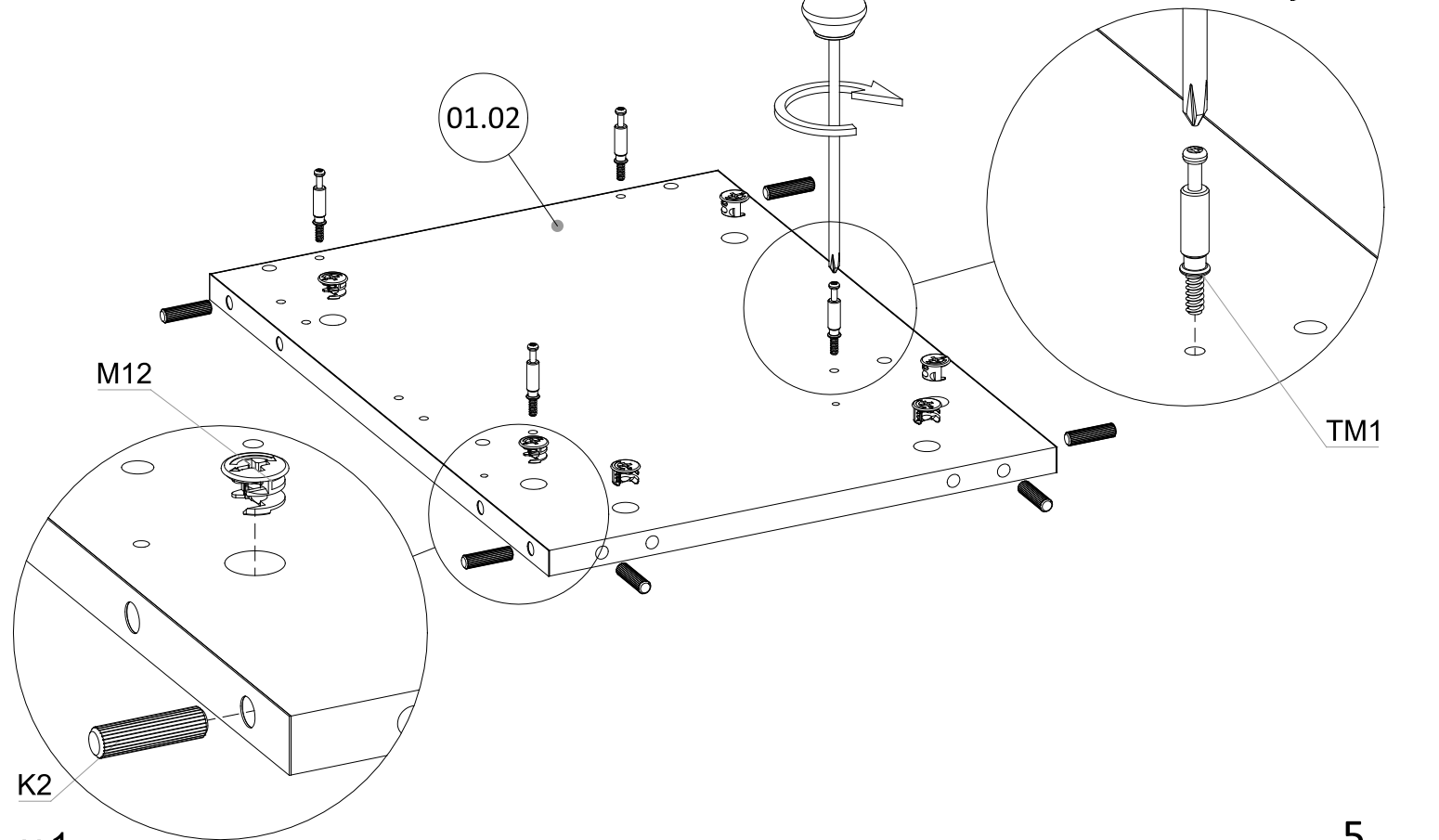
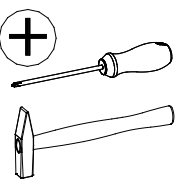
3

K2  8x30 6x	M12 Ø15x12  6x	TM1  4x
---	---	--

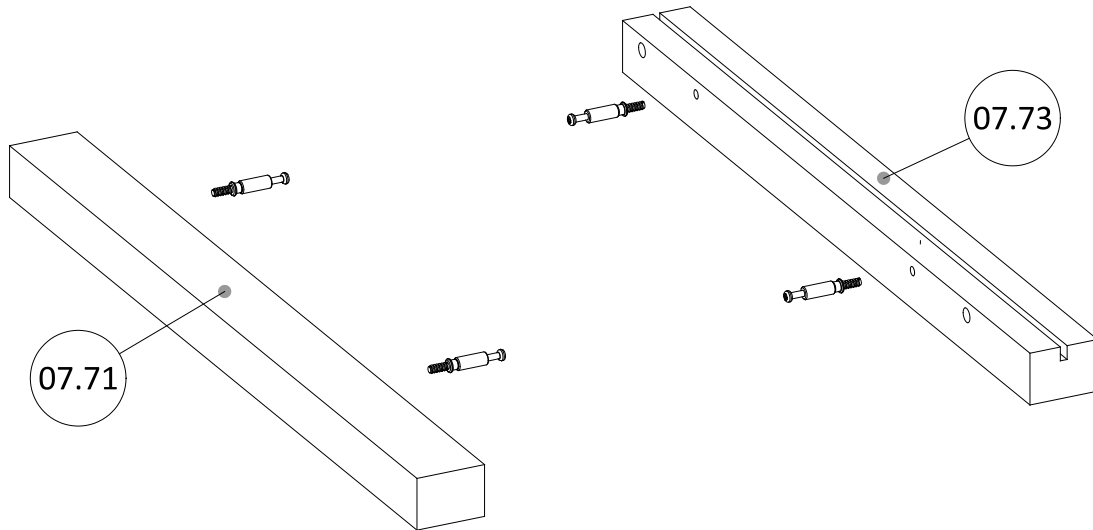
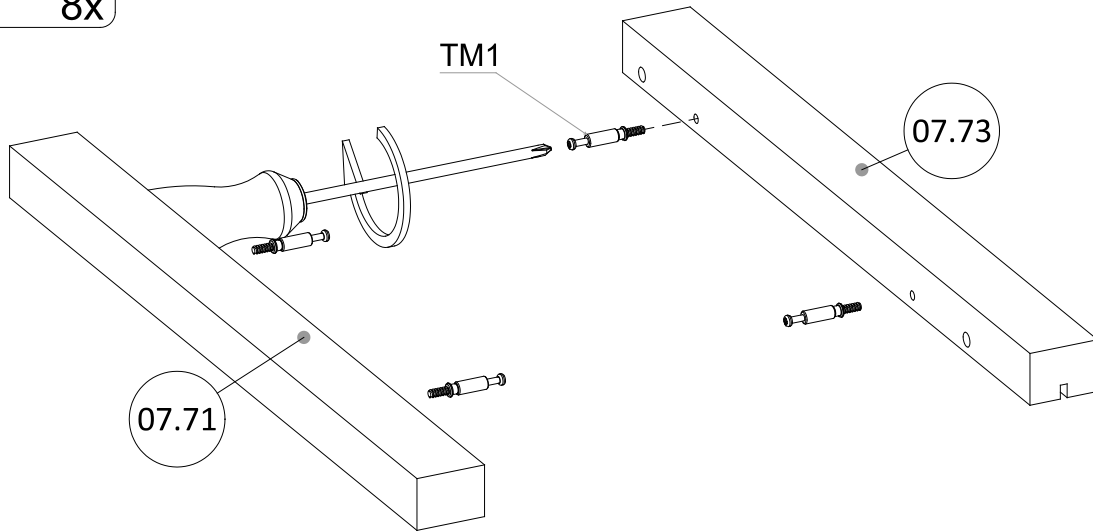
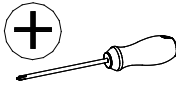
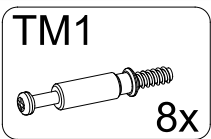


4

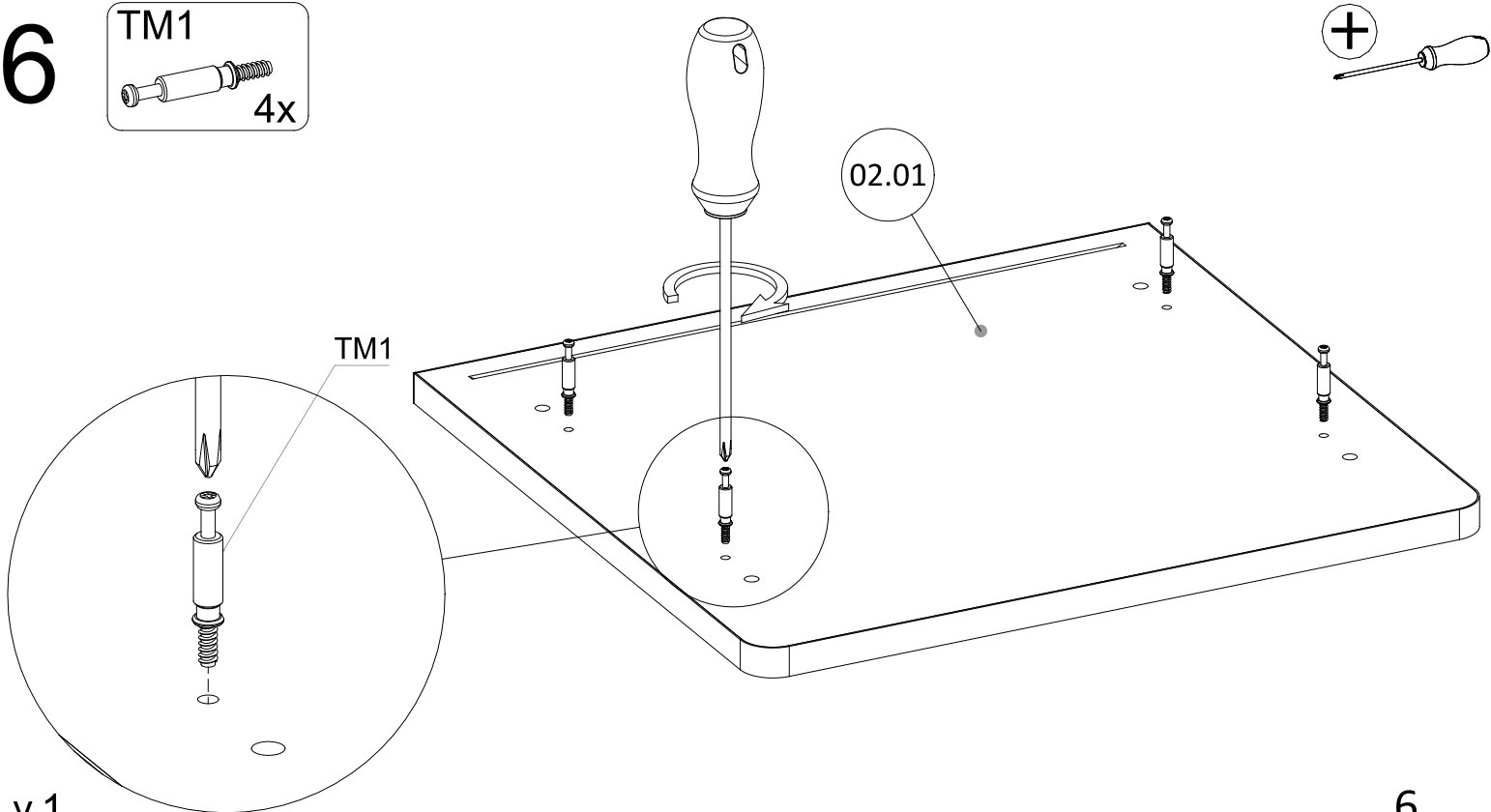
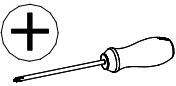
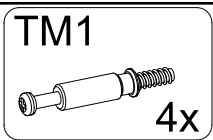
K2  8x30 6x	M12 Ø15x12  6x	TM1  4x
--	--	---



5



6

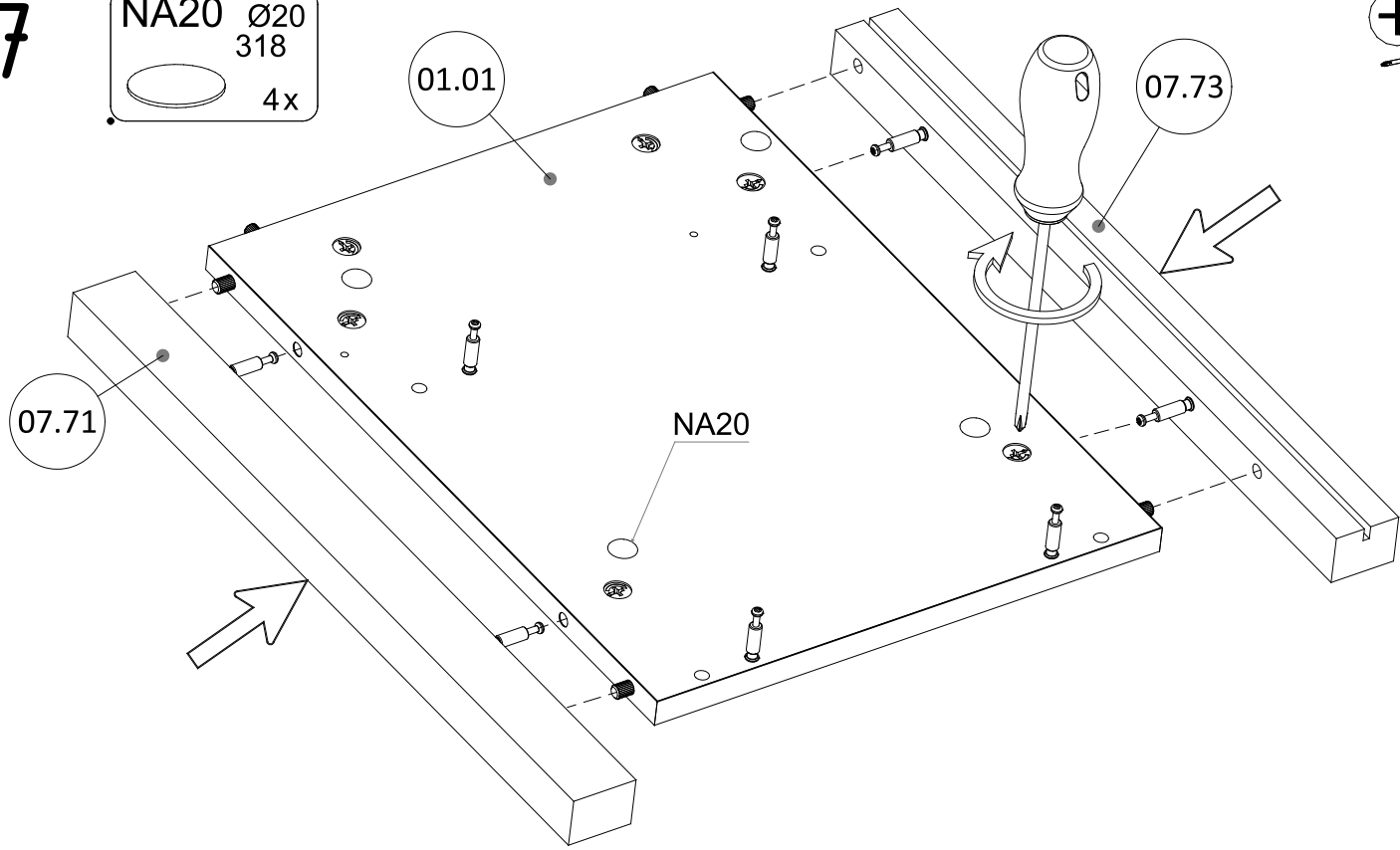
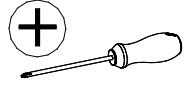


v.1

6

7

NA20 Ø20
318
4x

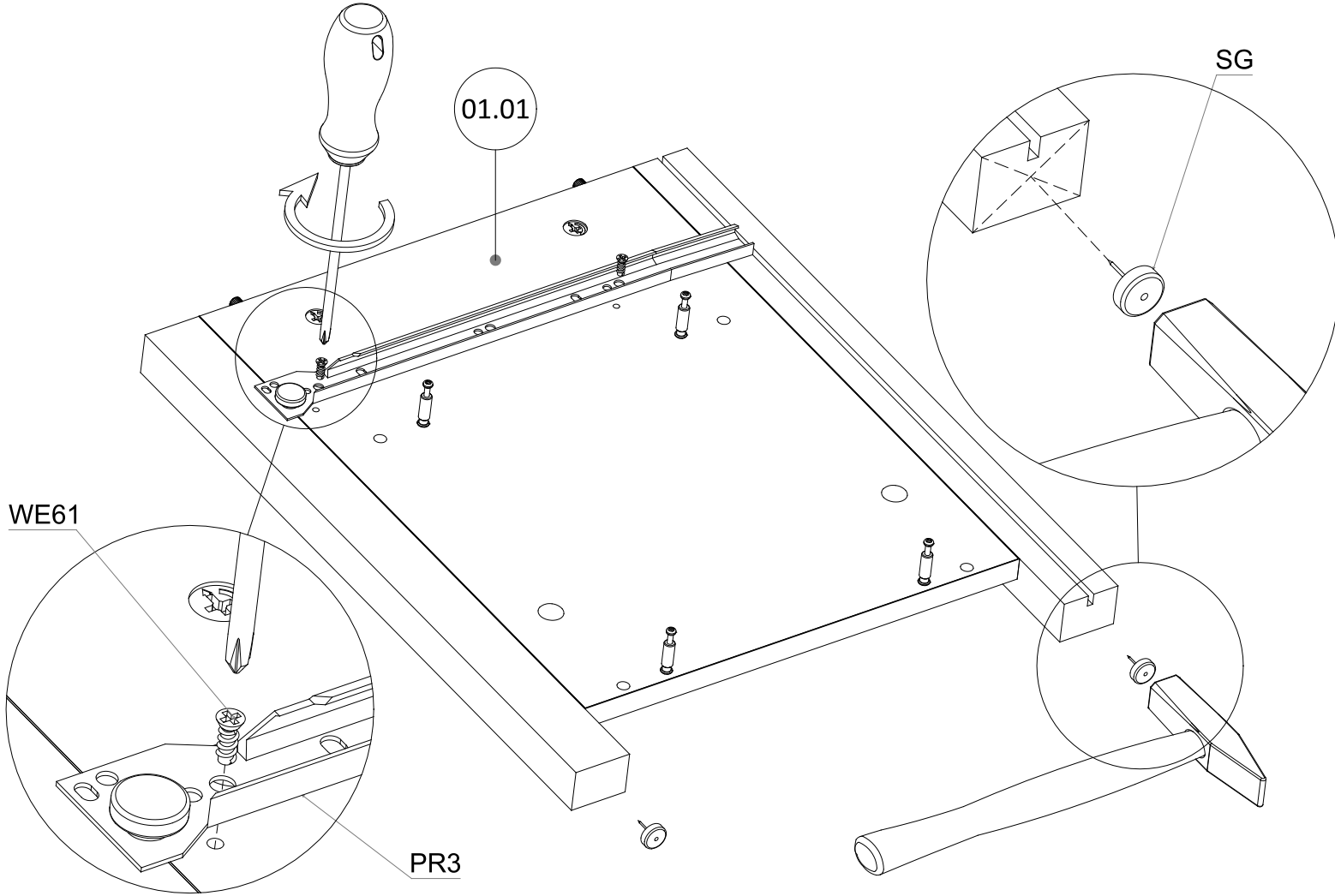
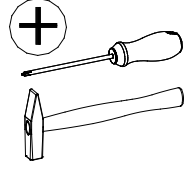


8

WE61 5x13
2x

PR3
1x

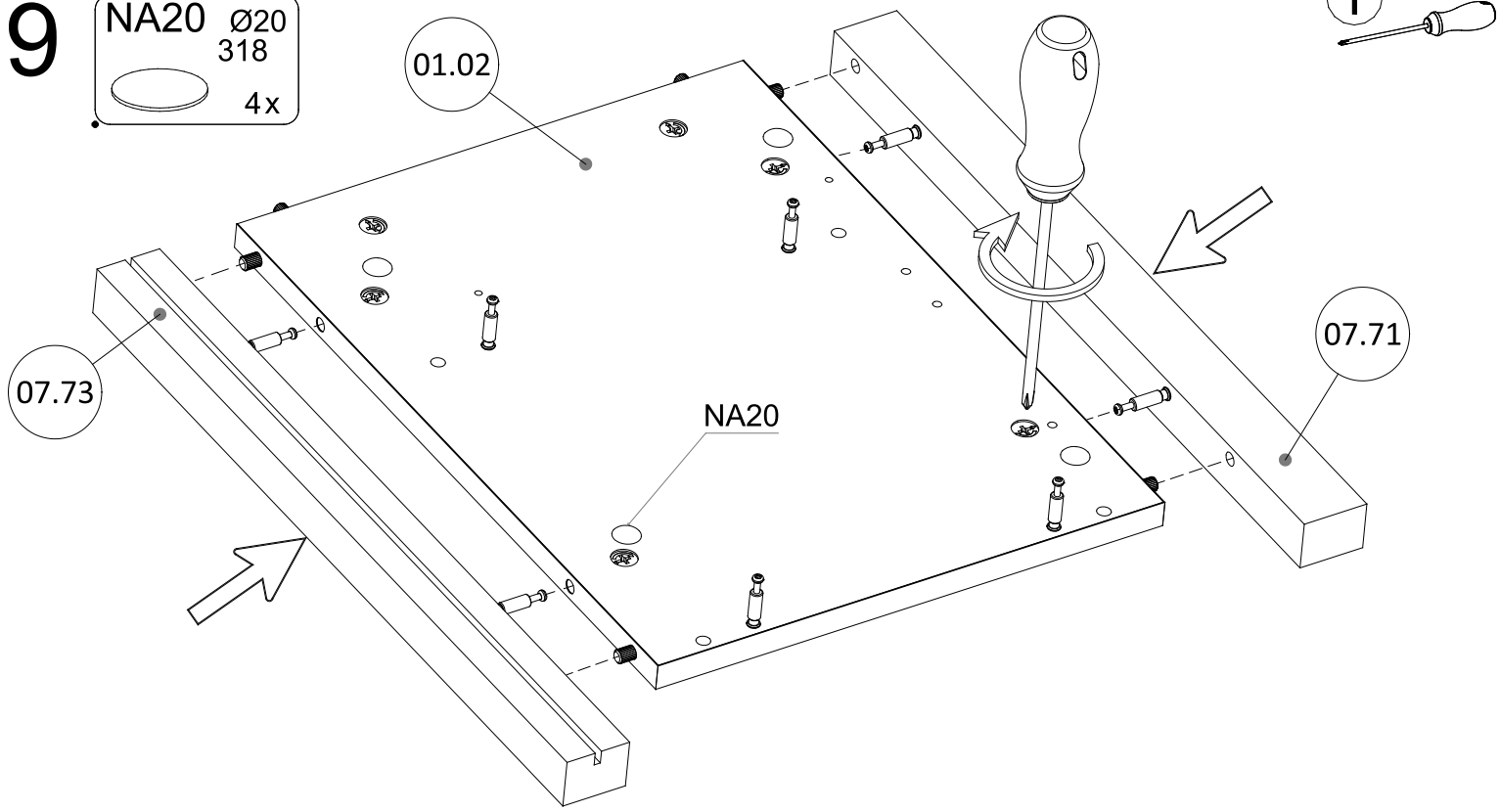
SG
2x



7

9

NA20 Ø20
318
4x



10

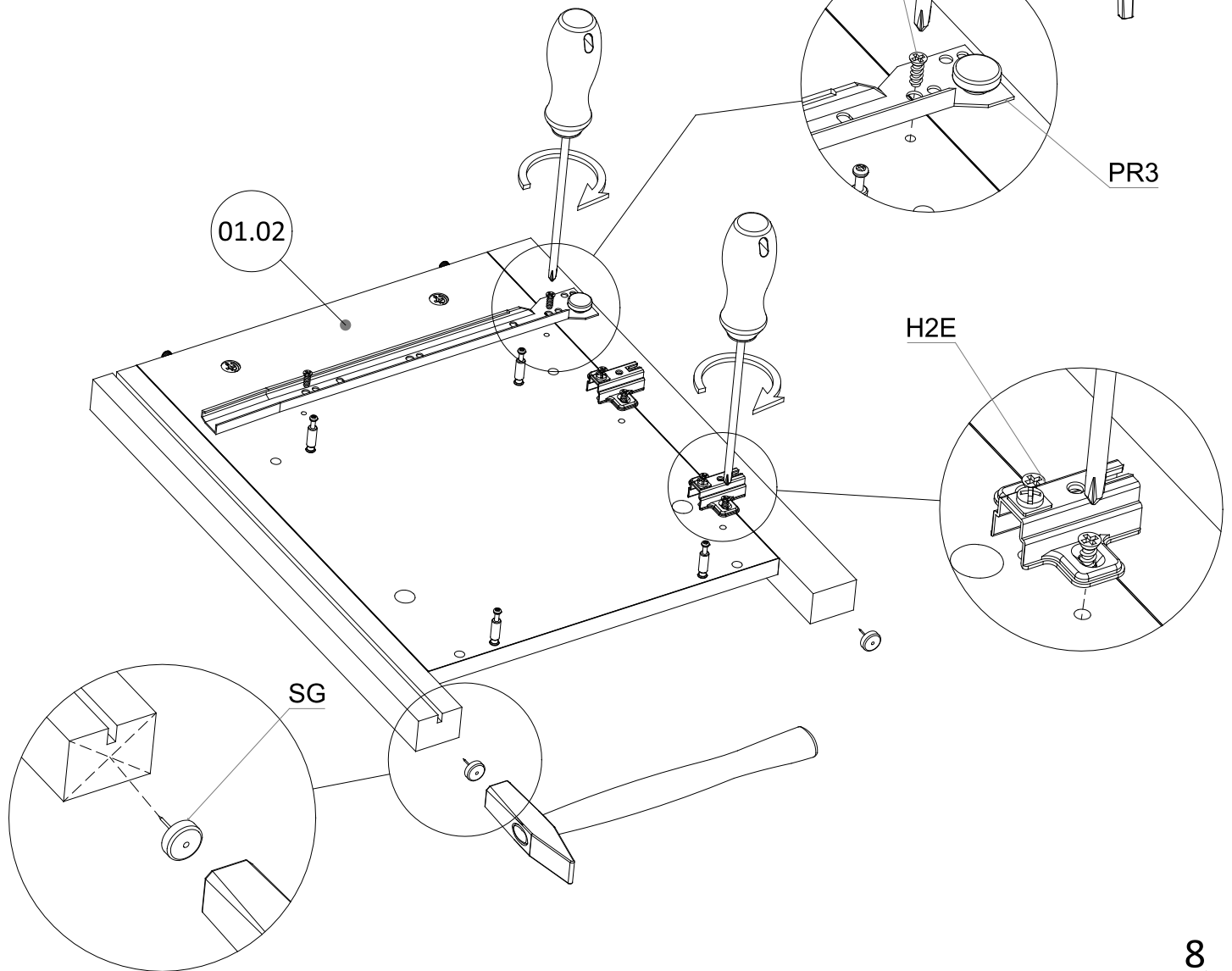
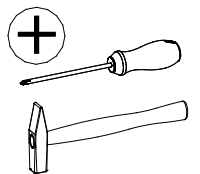
WE61 5x13
2x

PR3
1x

SG
2x

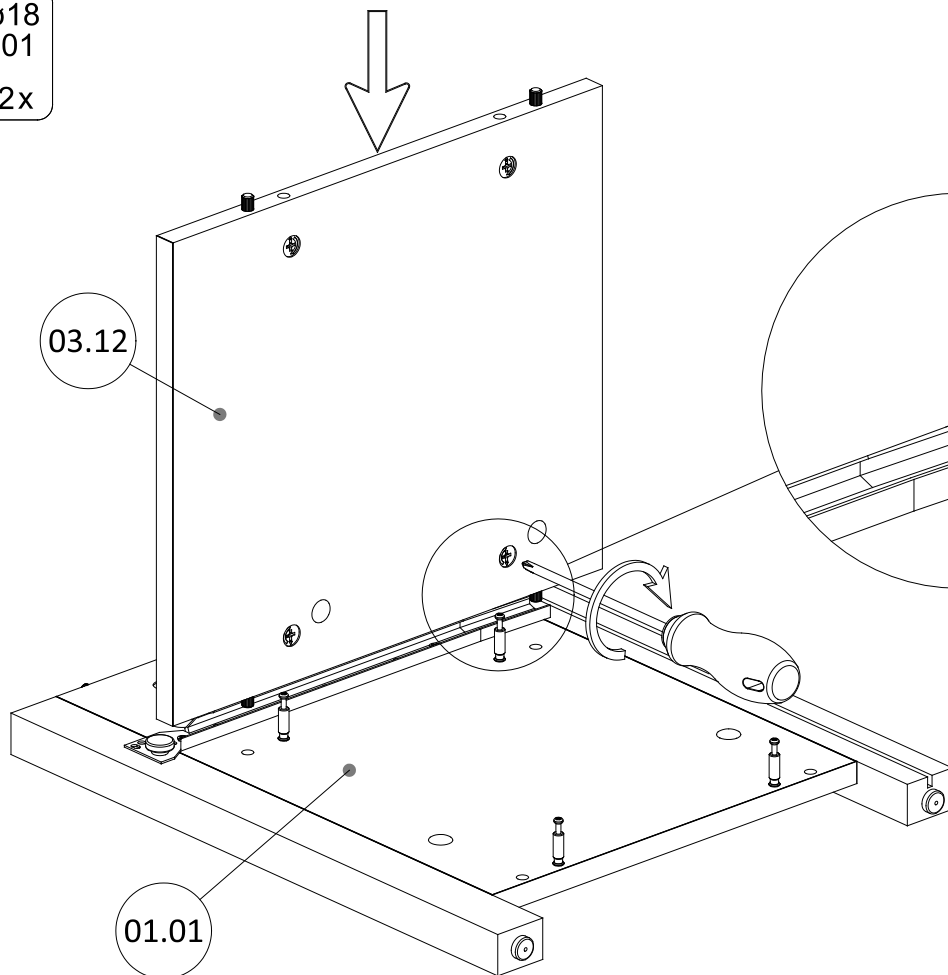
H2E
2x

WE61

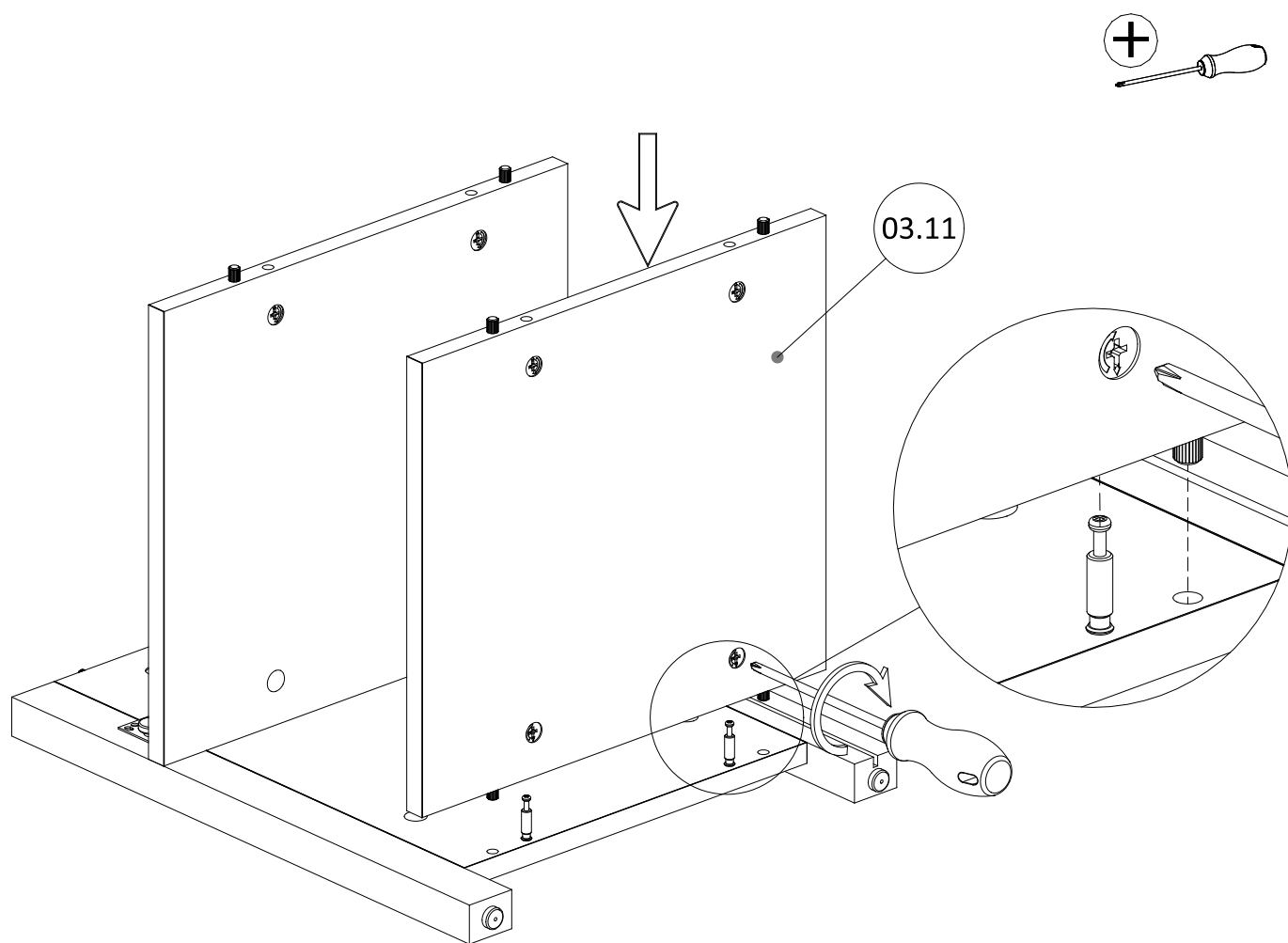


11

ZS12 $\varnothing 18$
K-01
2x

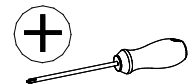


12

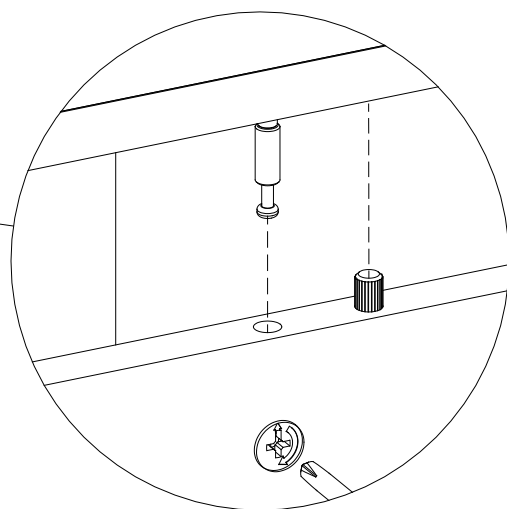
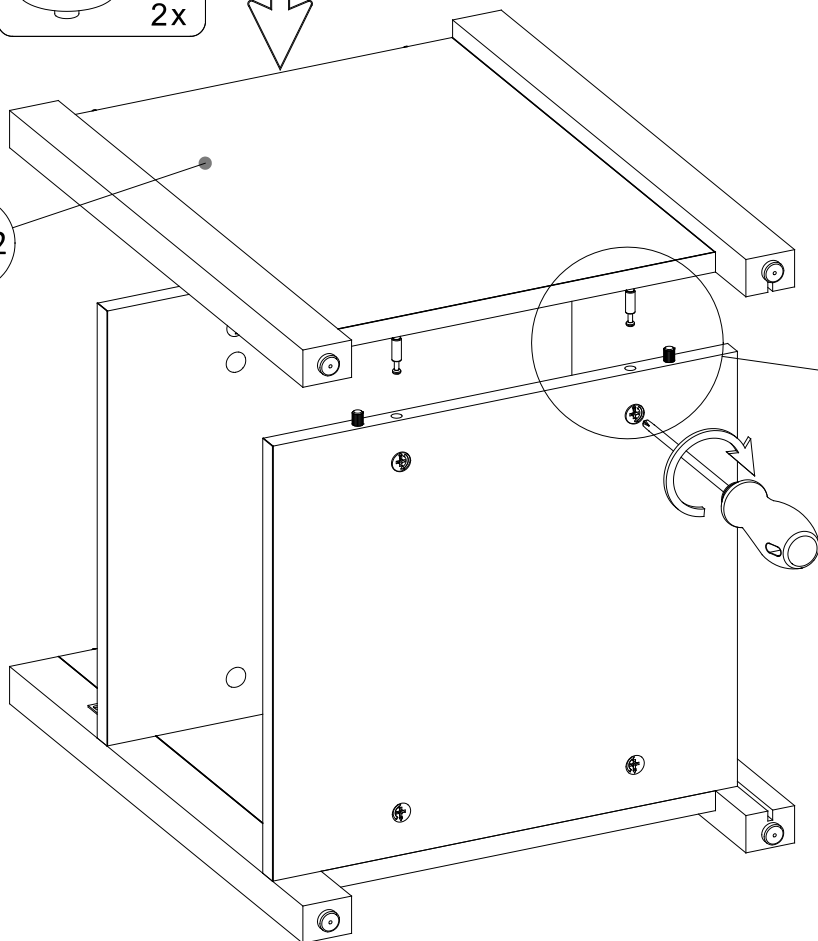


13

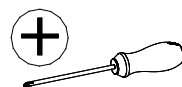
ZS12 $\varnothing 18$
K-01
2x



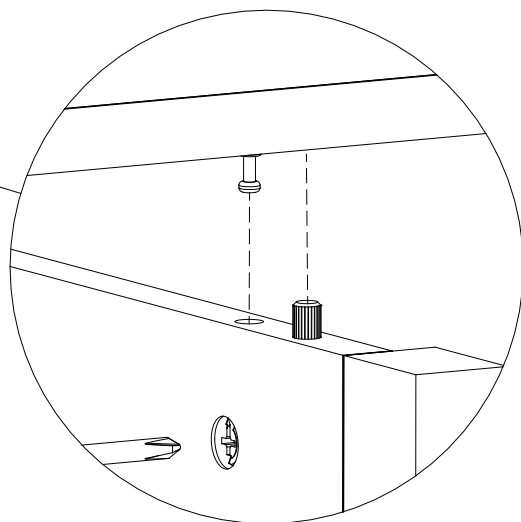
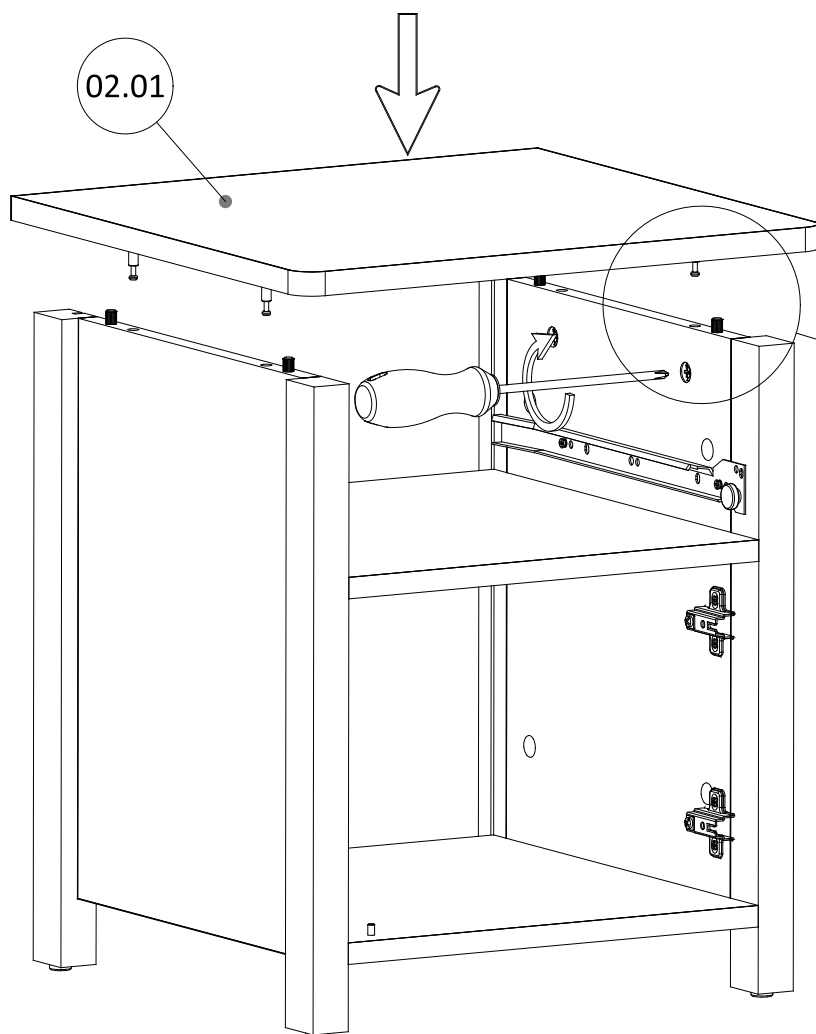
01.02



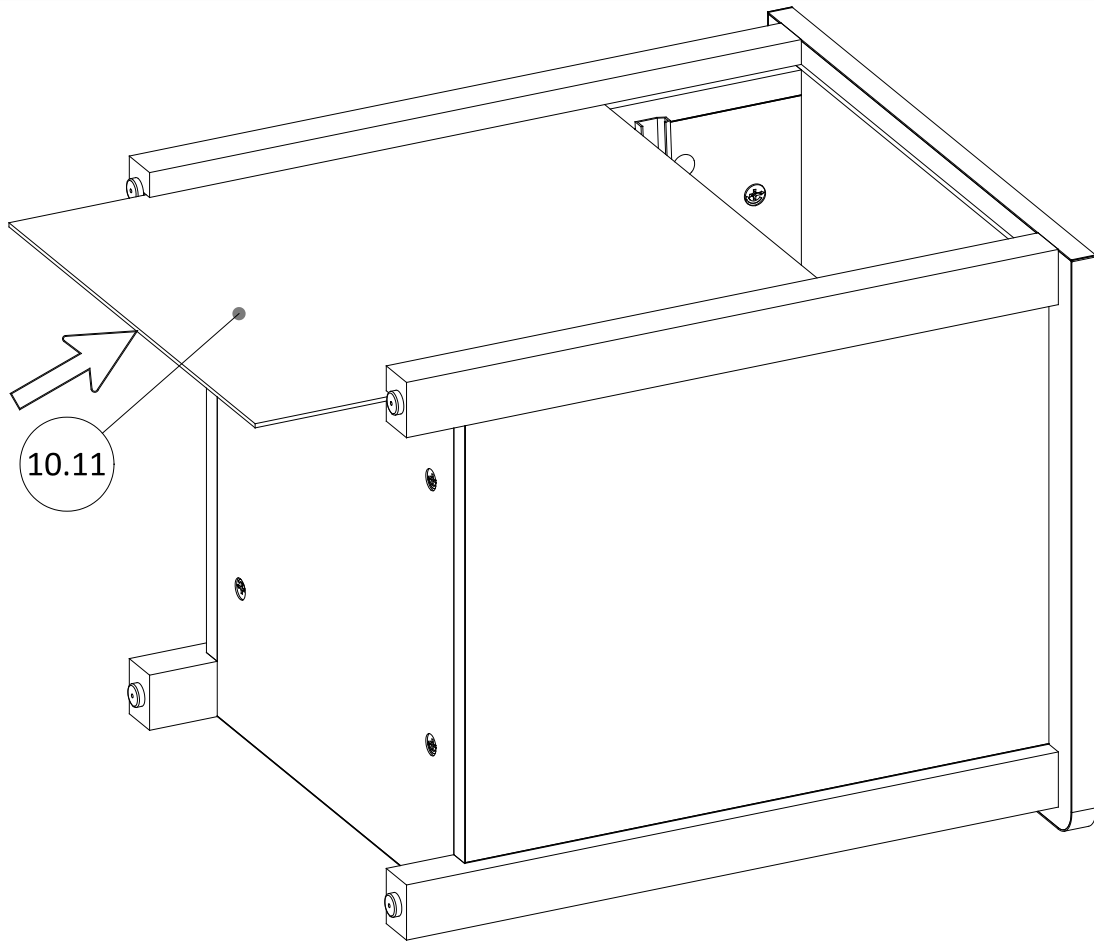
14



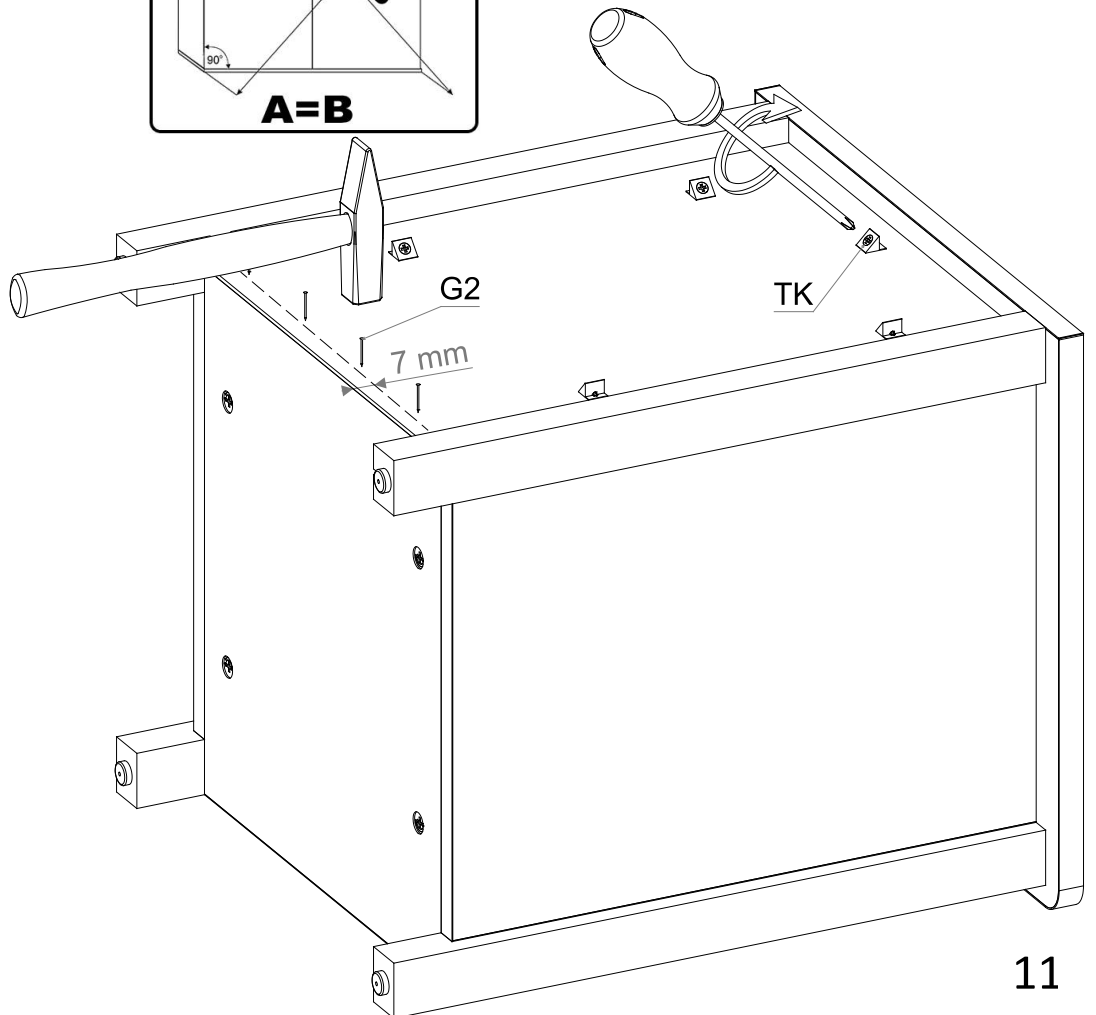
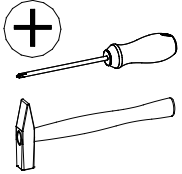
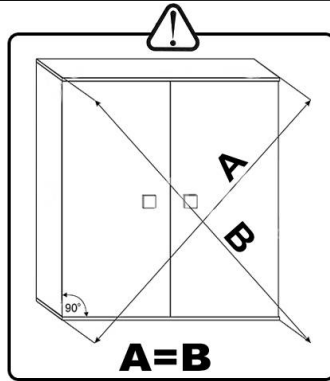
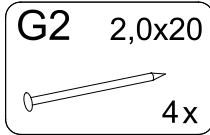
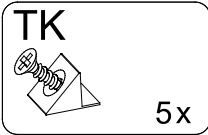
02.01



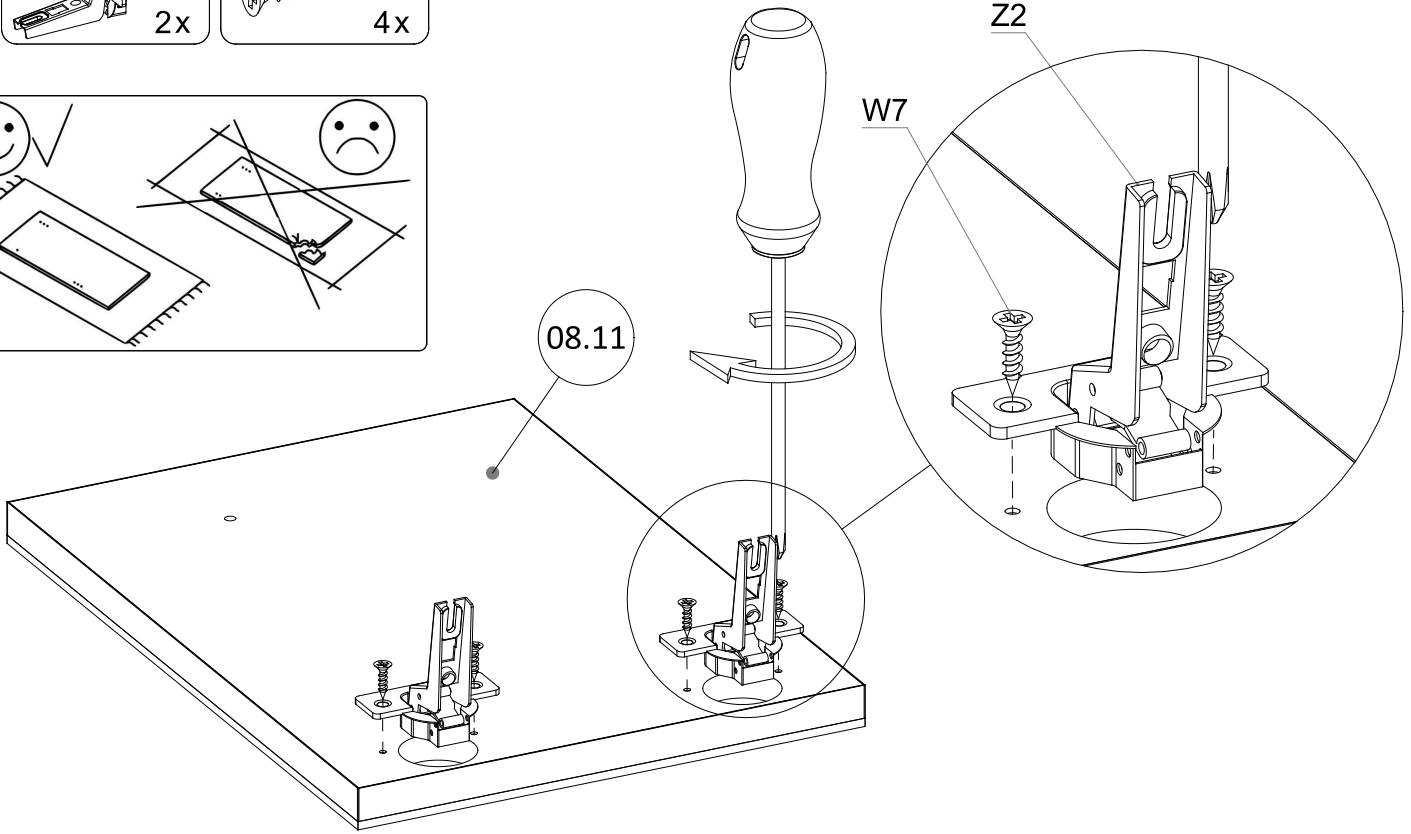
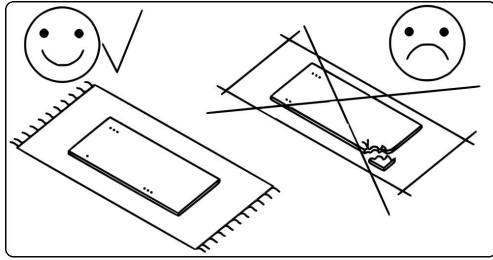
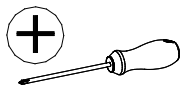
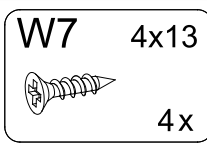
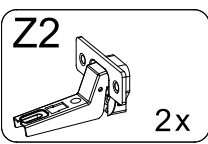
15



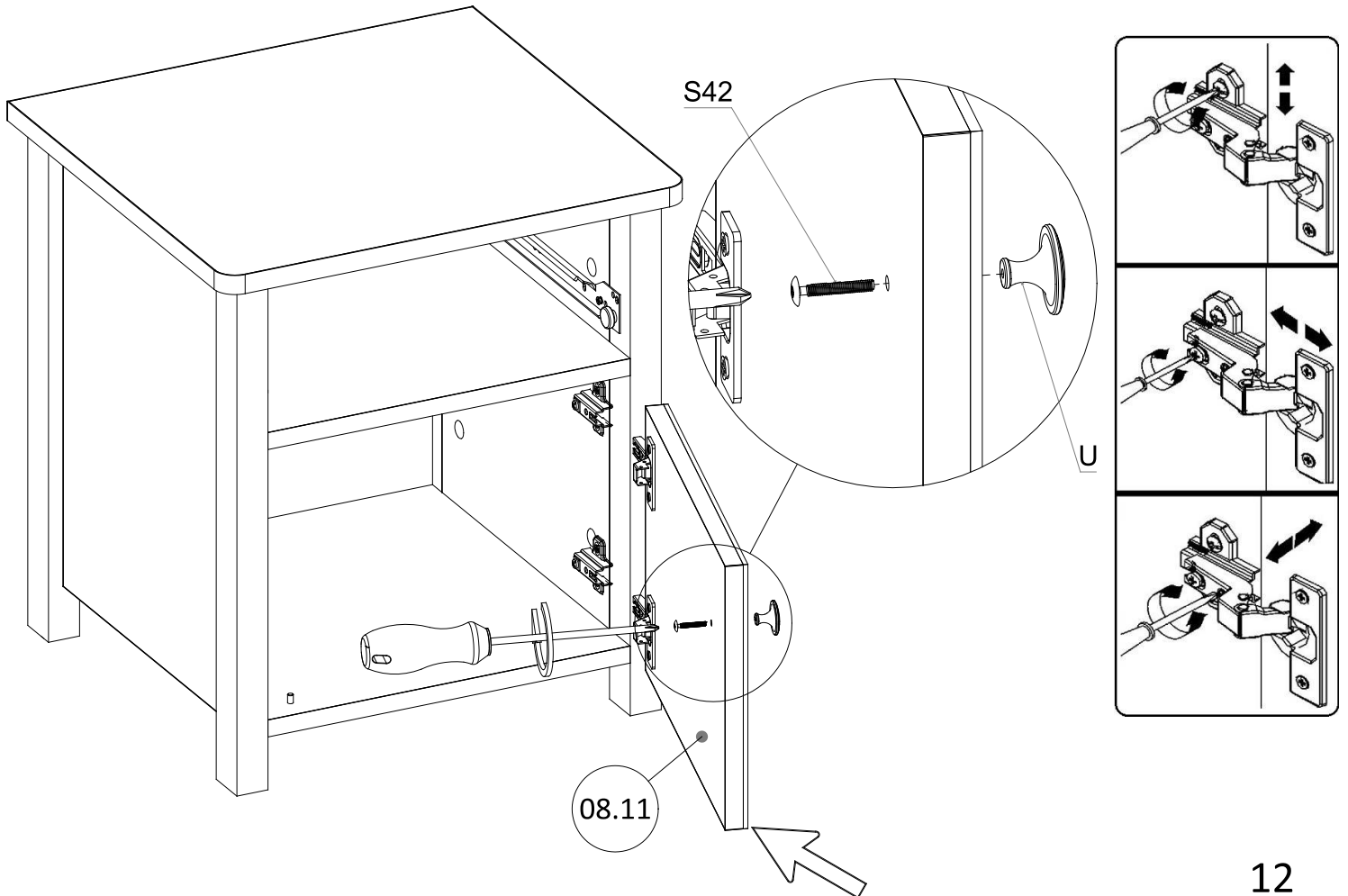
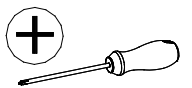
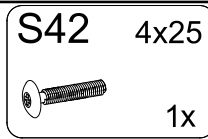
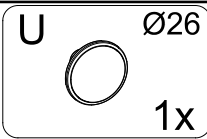
16



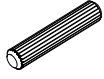

17

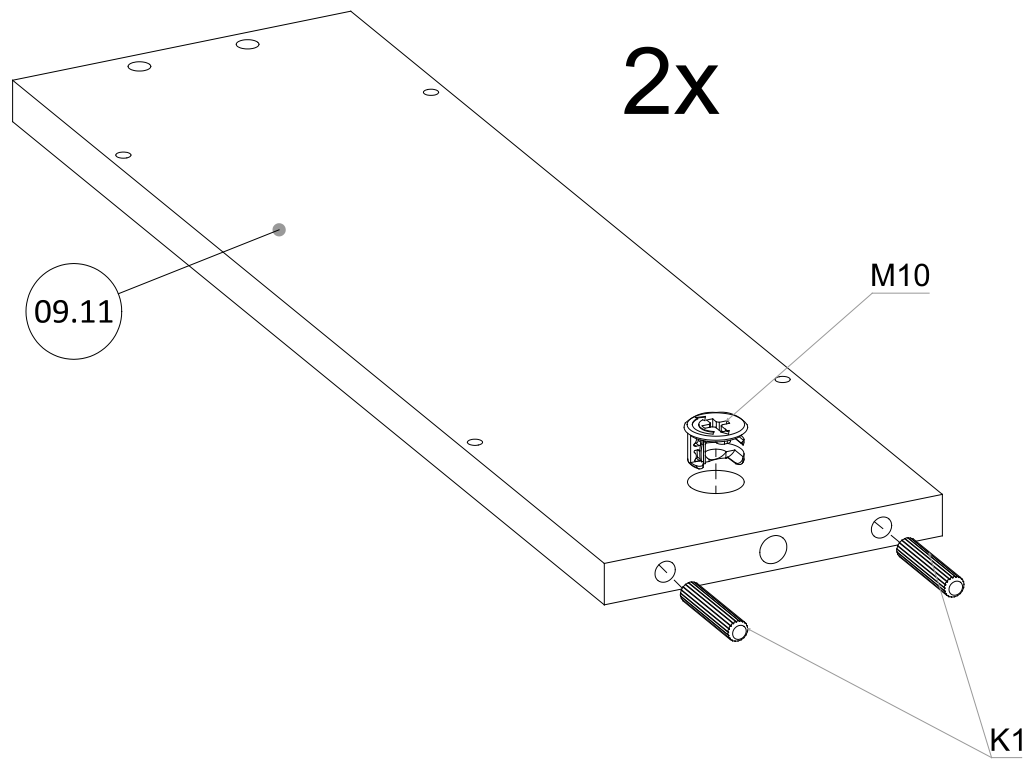


18

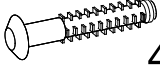


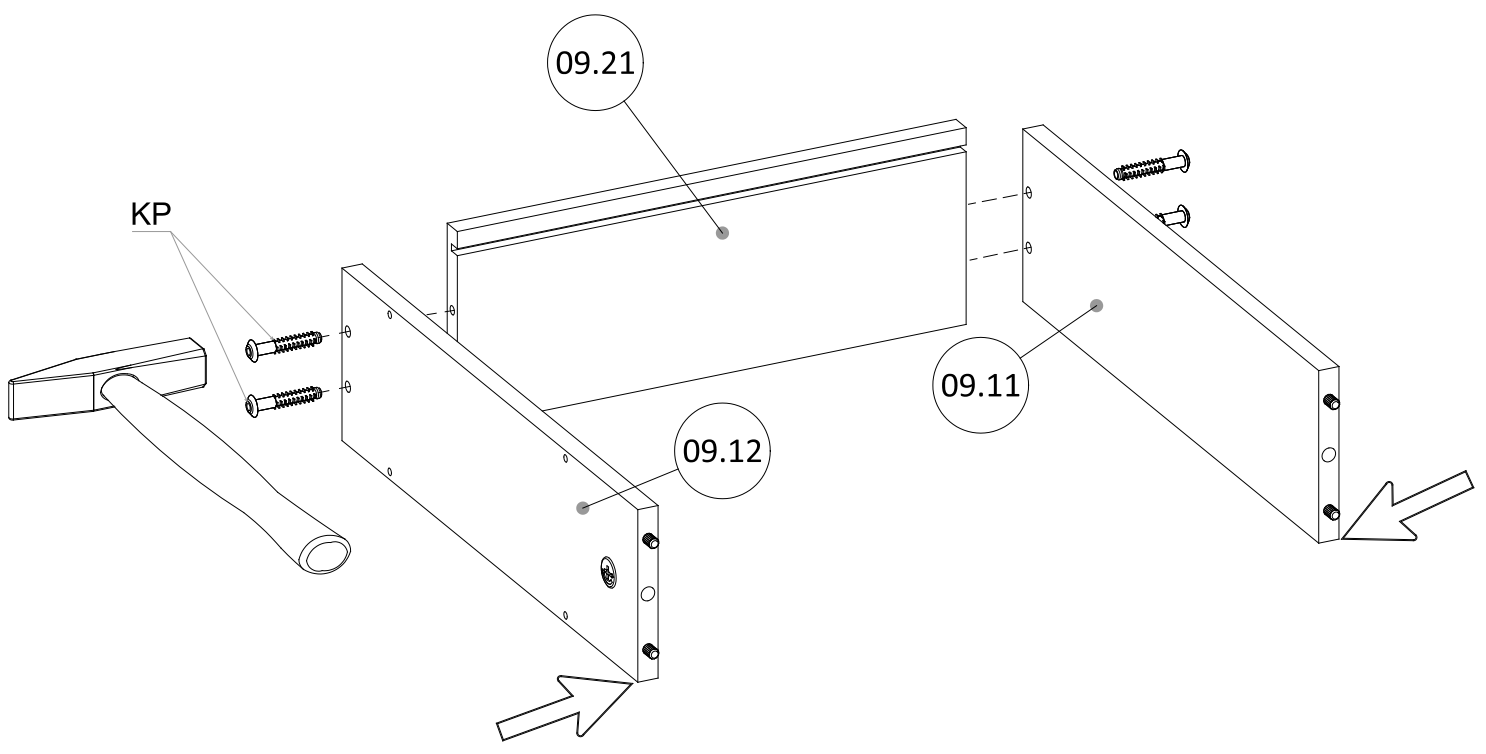
19

K1	6x30	M10	Ø15x10
	2x2		1x2

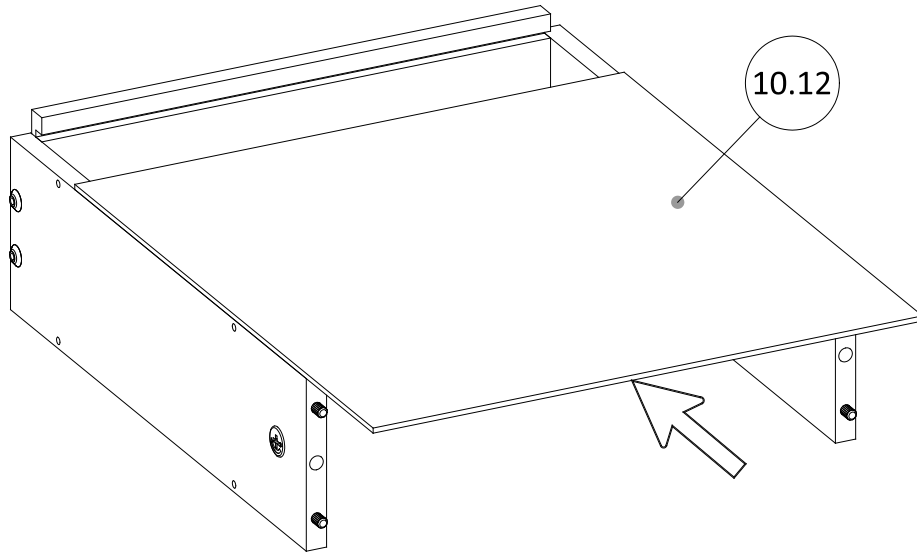


20

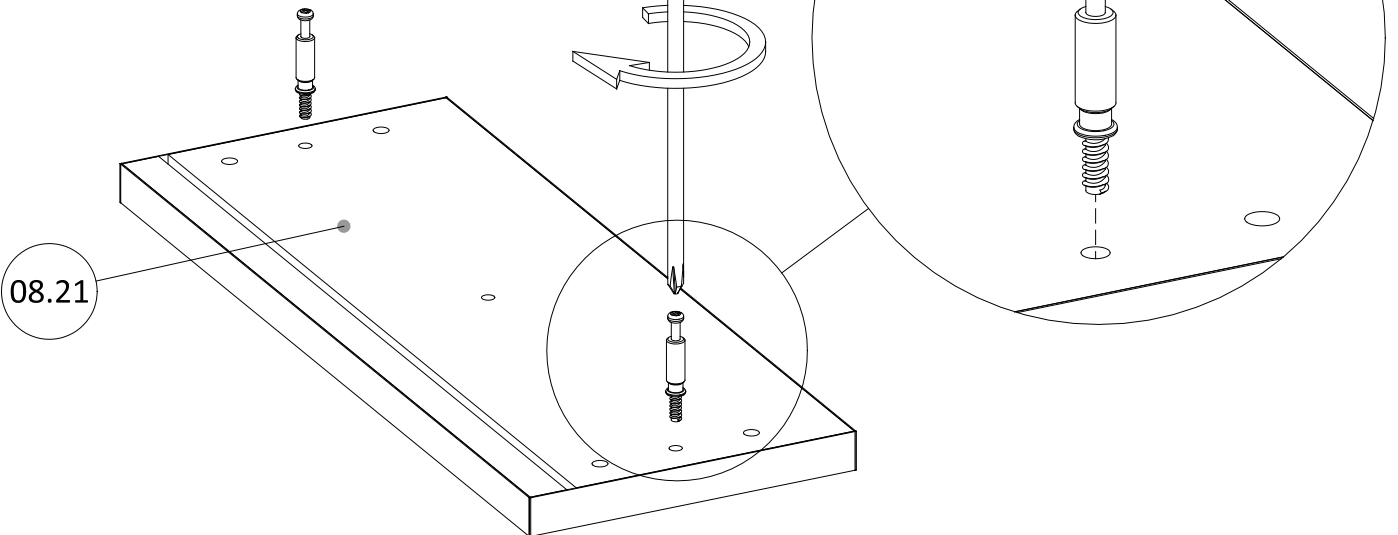
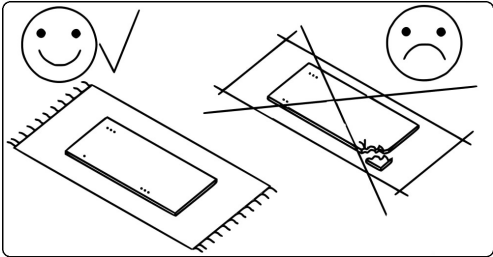
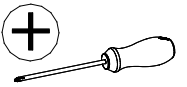
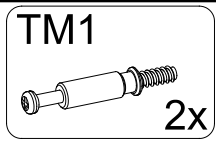
KP	6x40
	4x



21

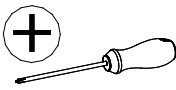
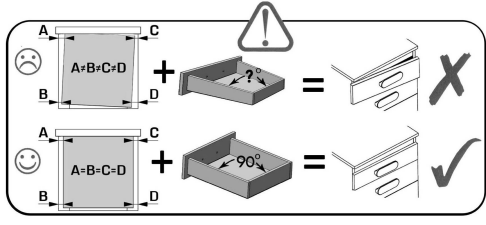
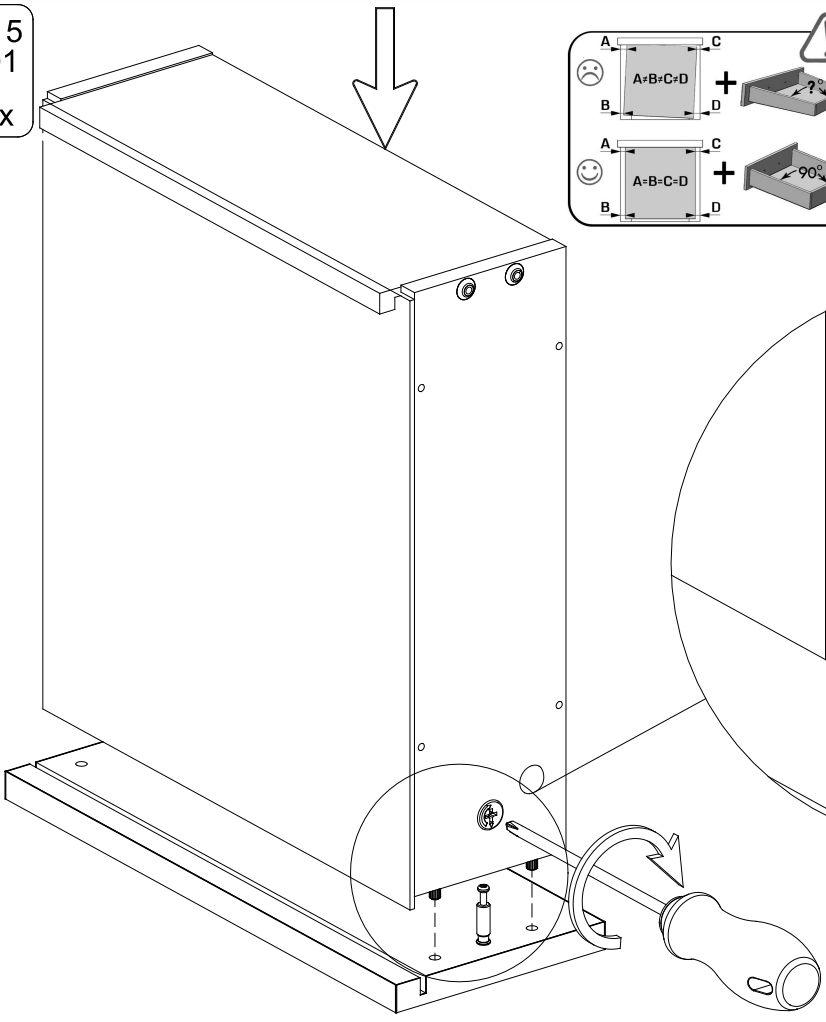


22



23

ZS10 $\varnothing 15$
K-01
2x

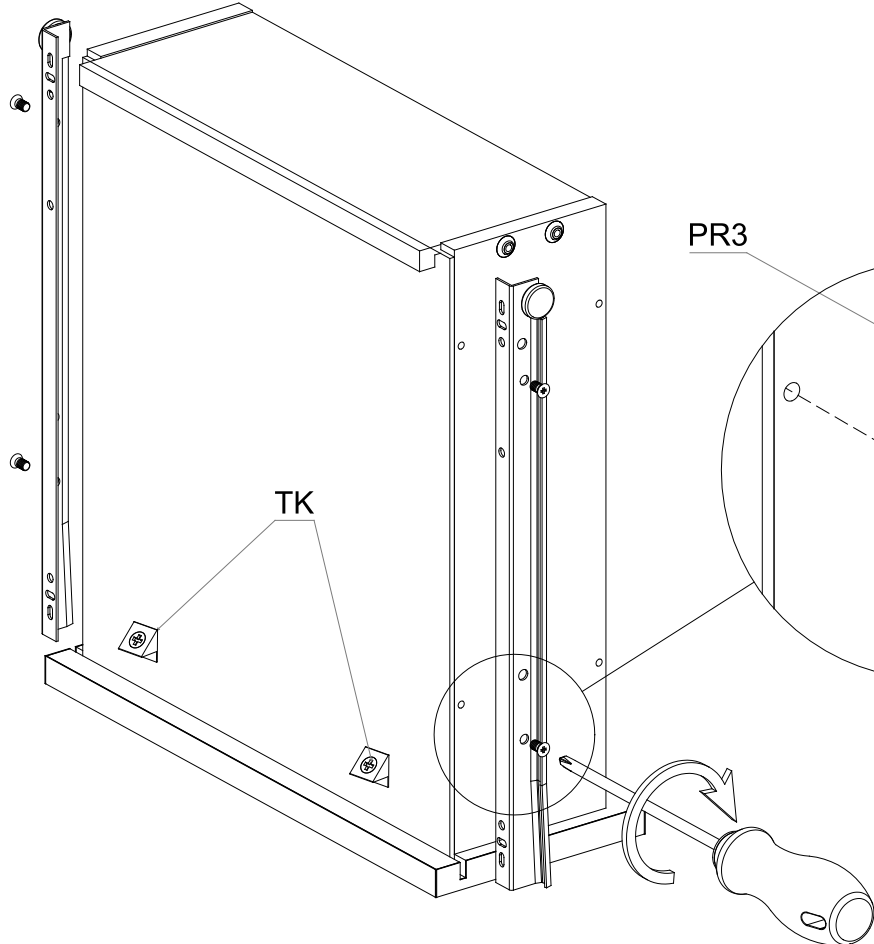
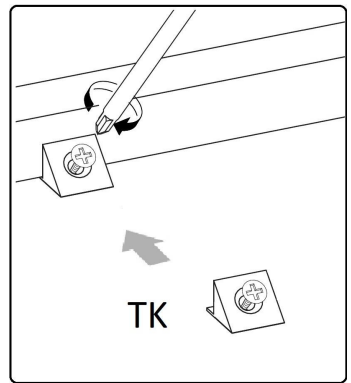
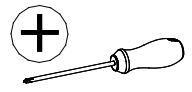


24

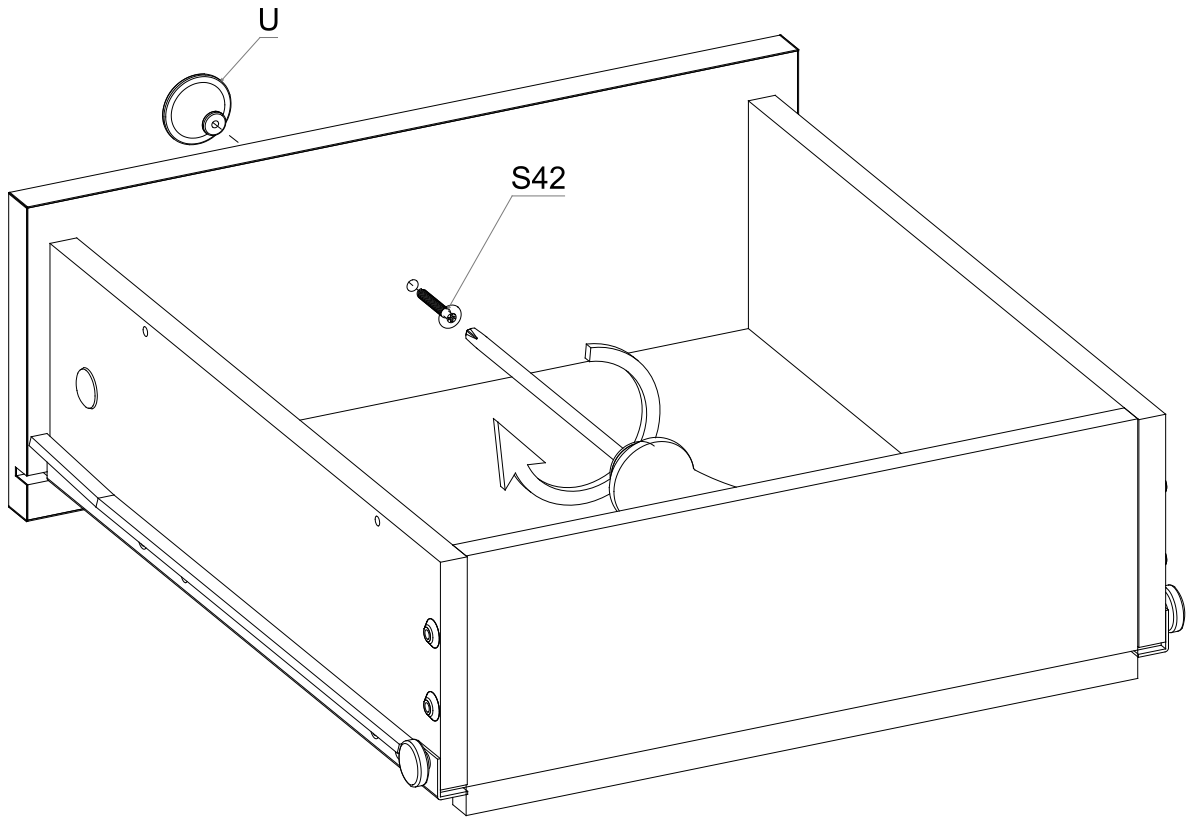
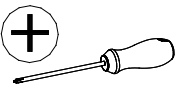
PR3
2x

WE66 5x9
4x

TK
2x



25 U Ø26 1x S42 4x25 1x



26

