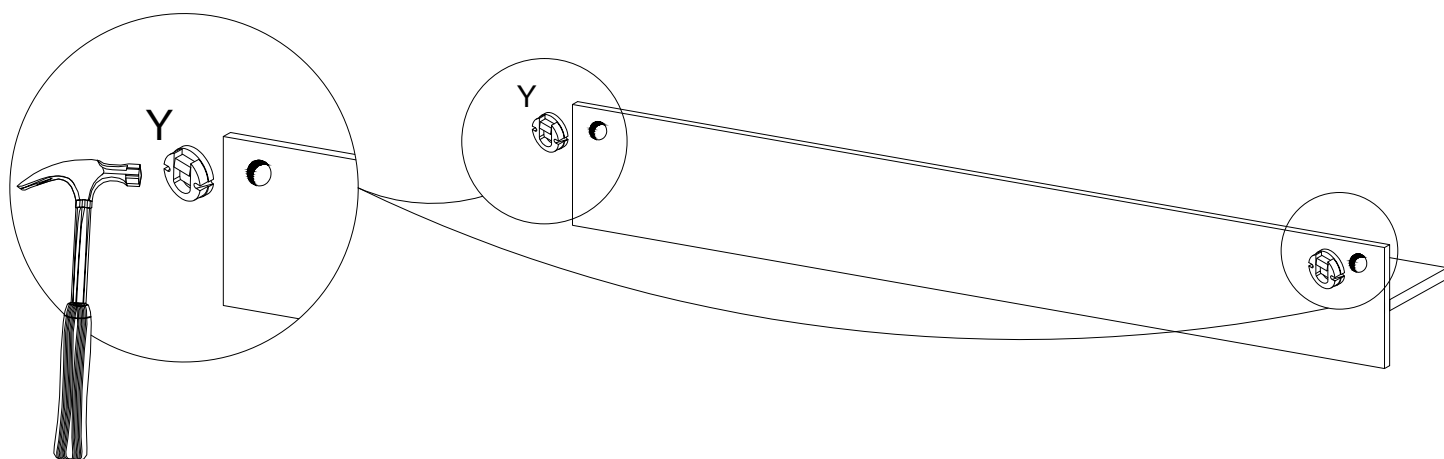
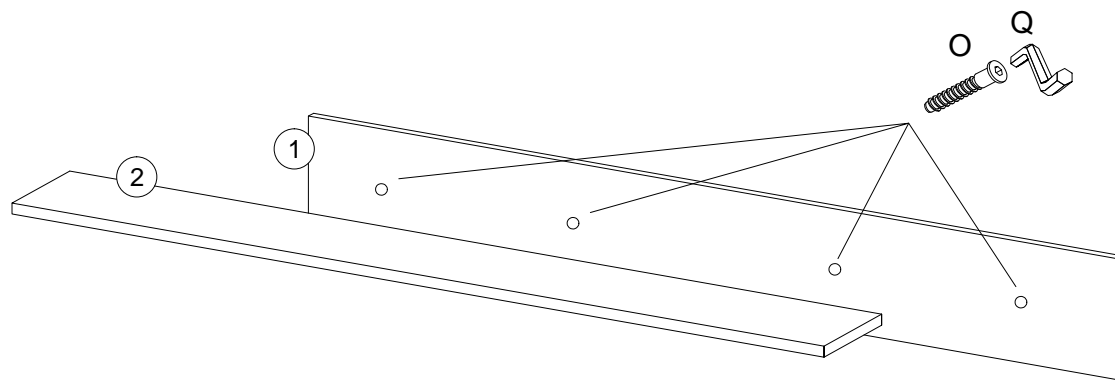
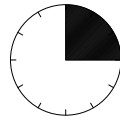
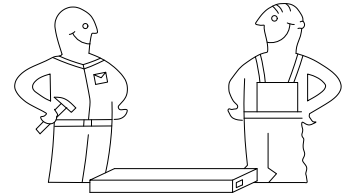


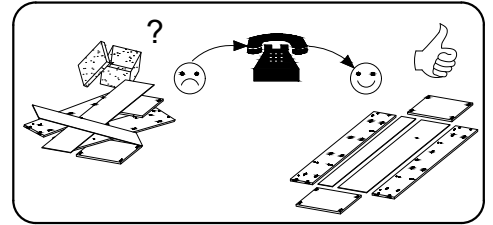
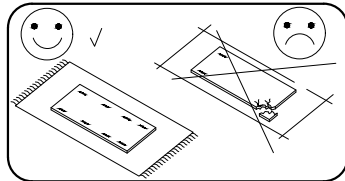
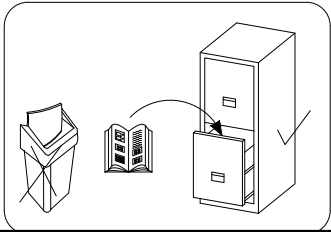
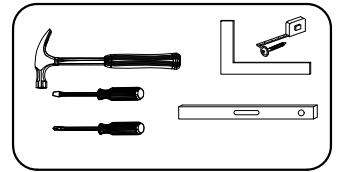
O	Q	Y
4	1	2







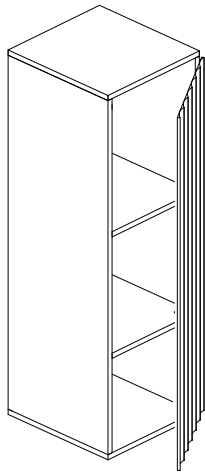
120 minut



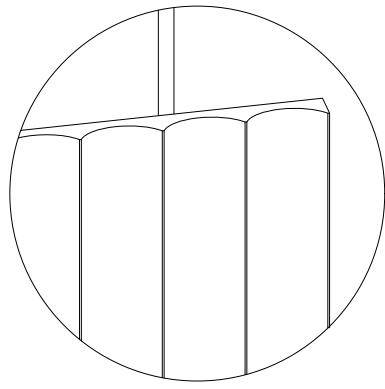
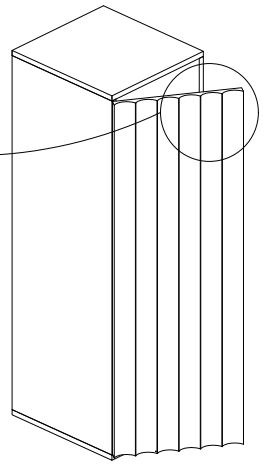
8.0x35 D 12	 X 12	 A 12	Ø15x12 B 12	 L 1	 I 8	4.0x30 P 4	3.5x16 H 6	 L 3
					4.0x25 G 1	 F 1	 S 4	 Z 3



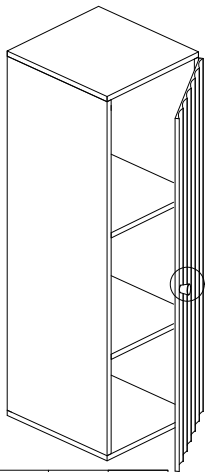
"A"



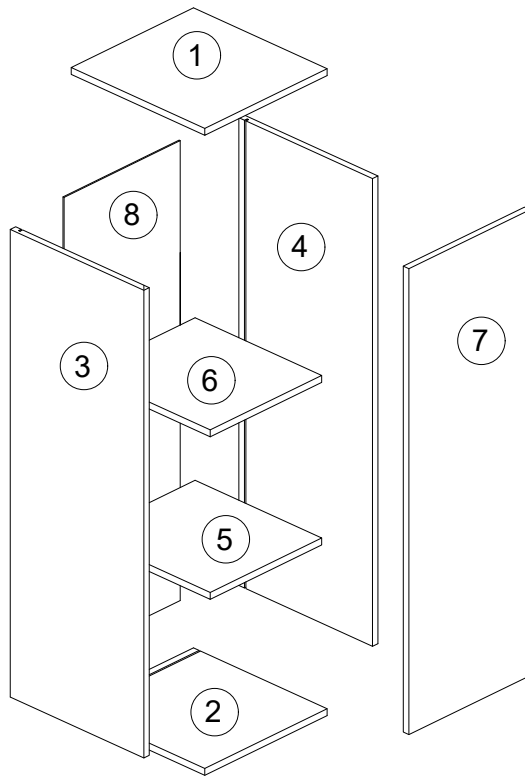
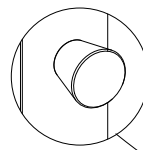
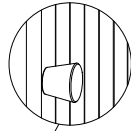
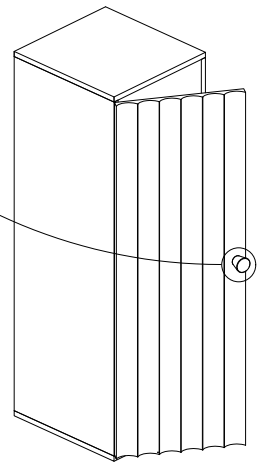
"B"



"A1"

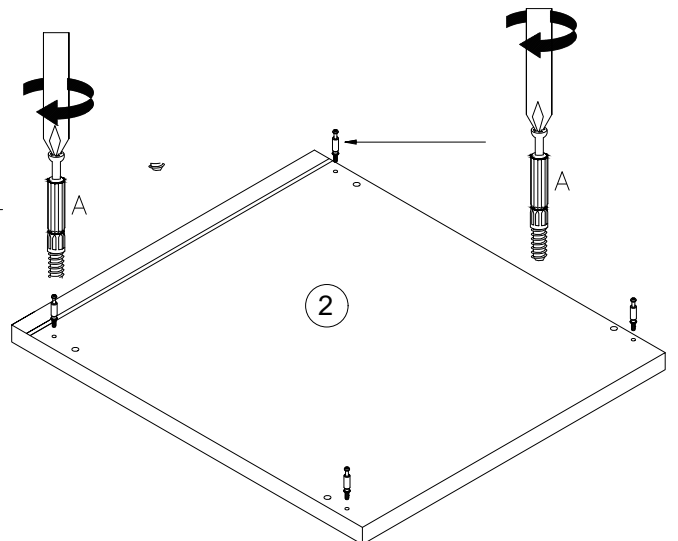
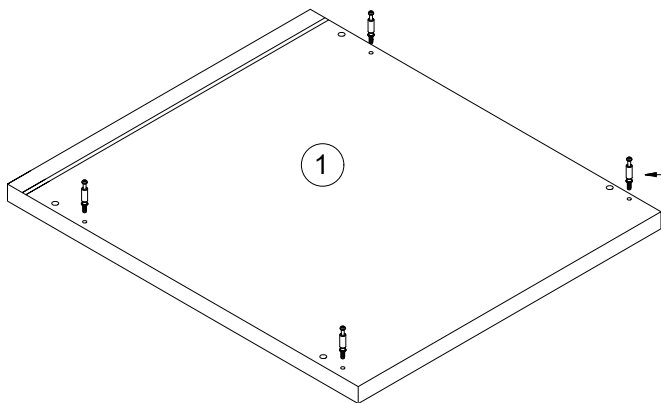


"B1"

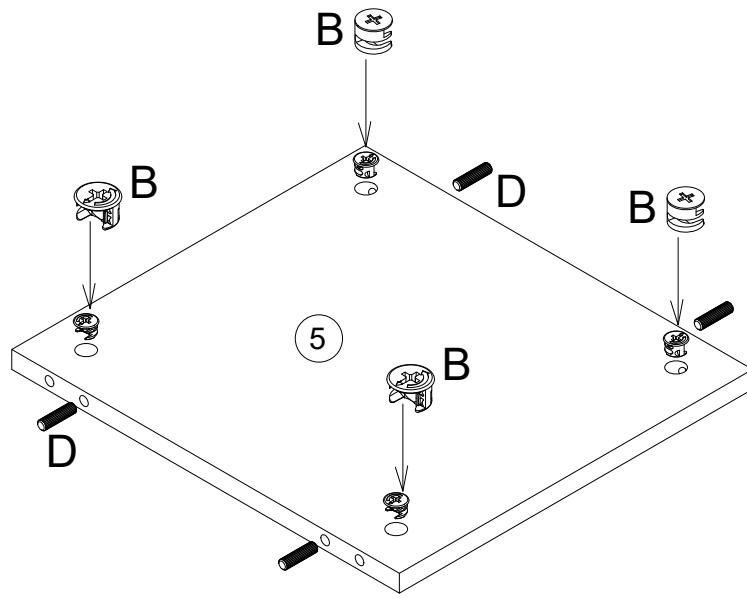


No.	Pcs.	L	W	D
1.	1	340	380	16
2.	1	340	380	16
3.	1	968	380	16
4.	1	968	380	16
5.	1	307	350	16
6.	1	307	350	16
7.	1	335	995	16
8.	1	323	980	3

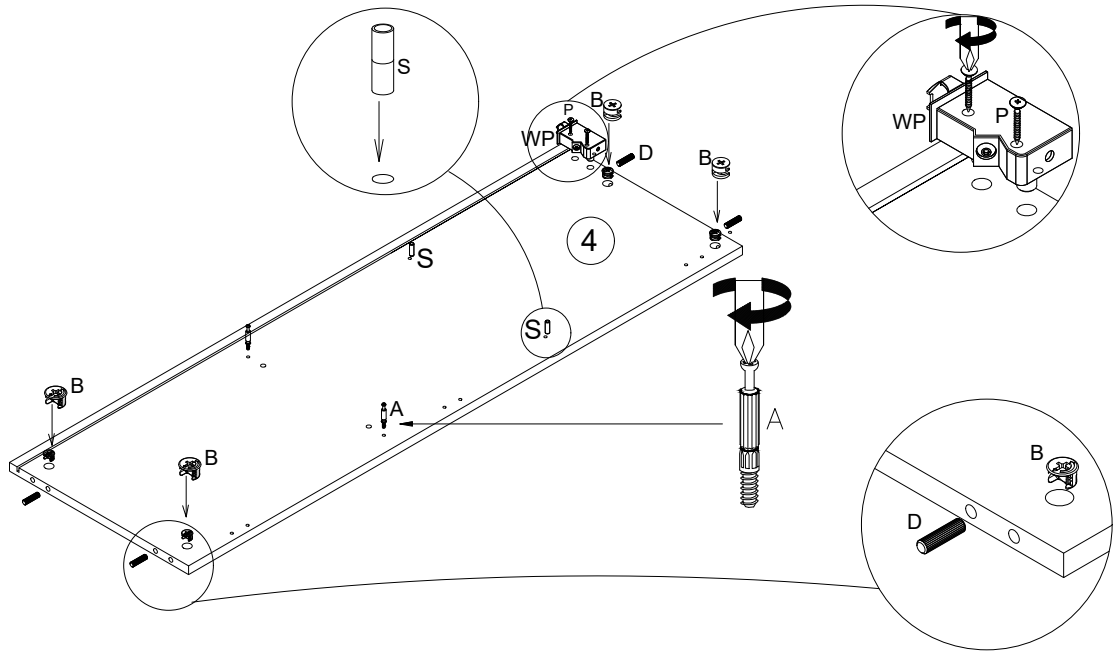
1



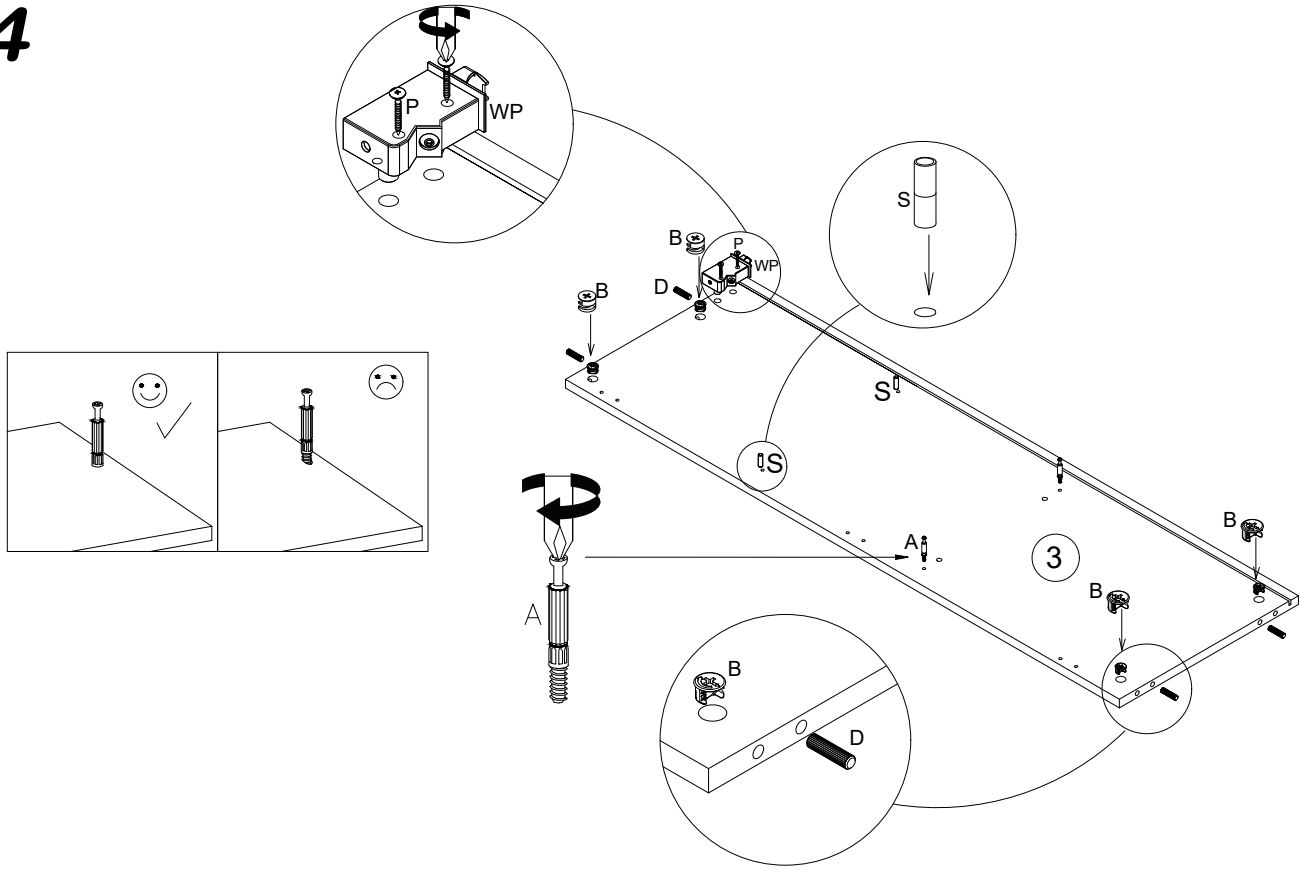
2



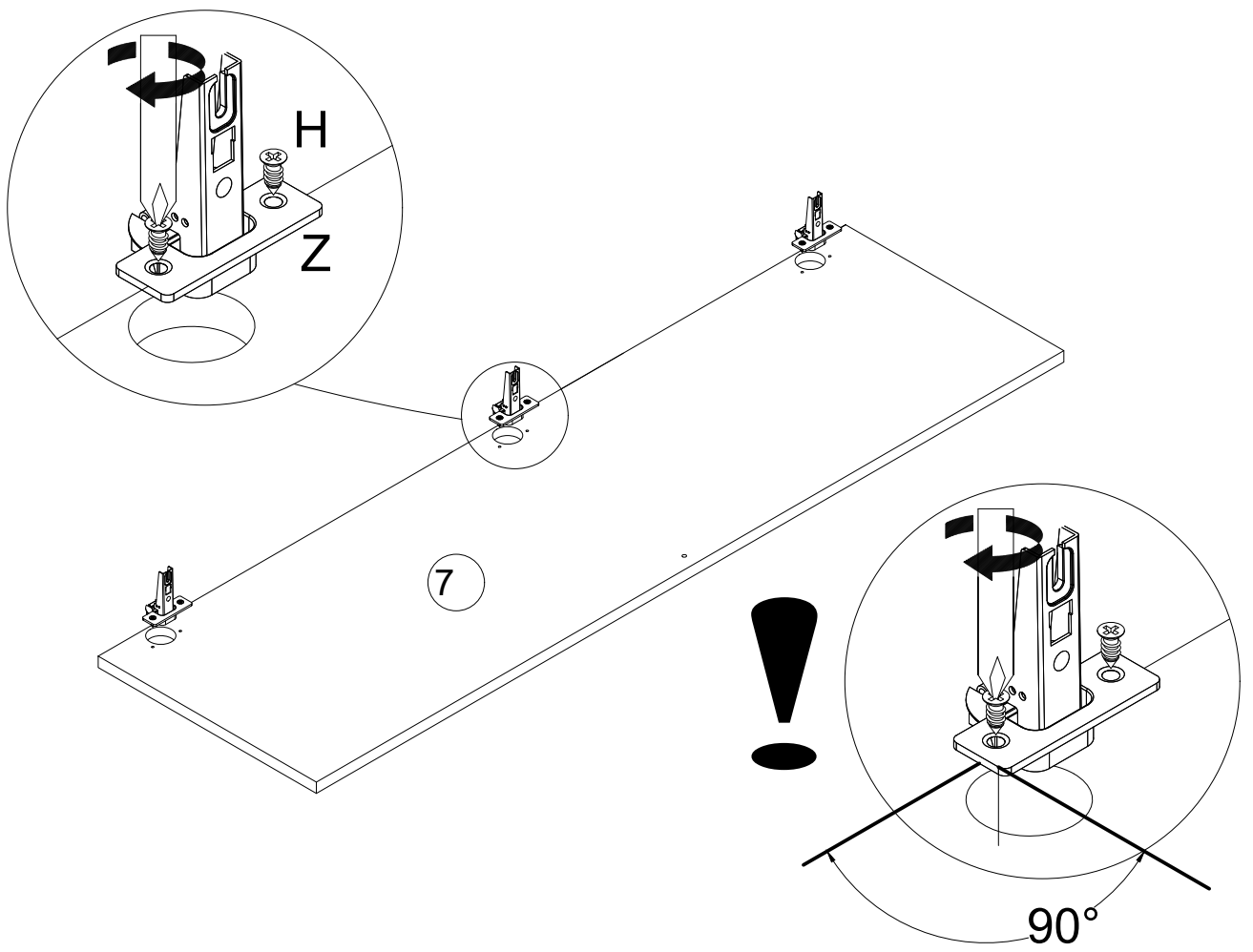
3



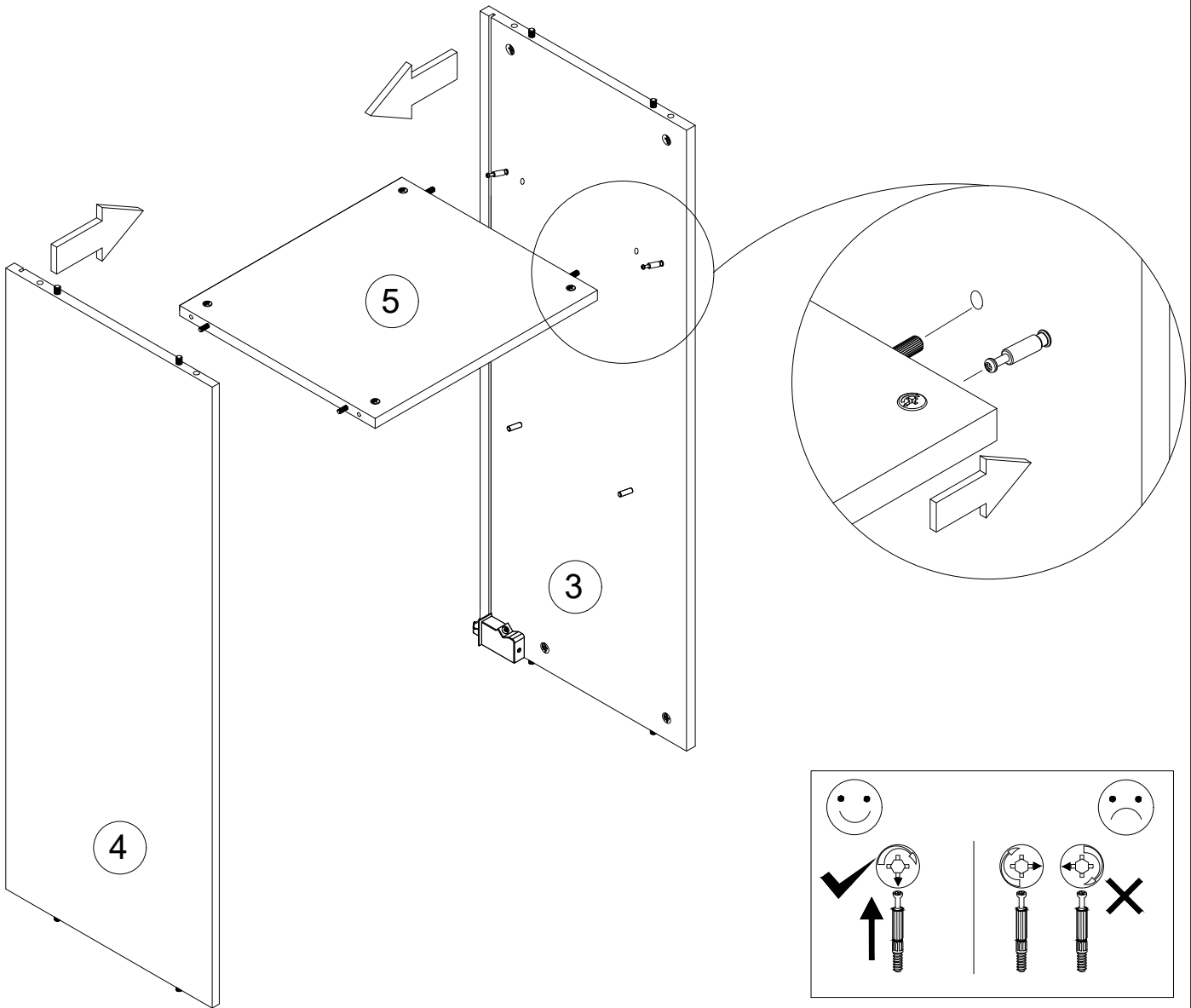
4

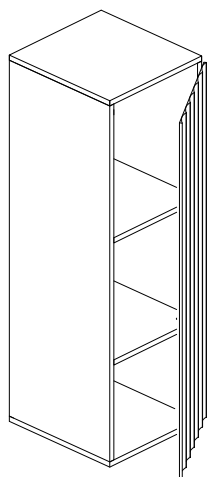


5

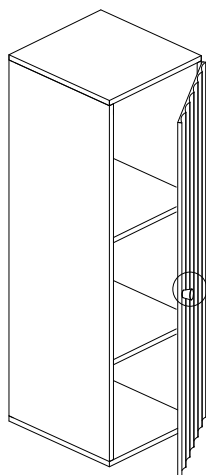
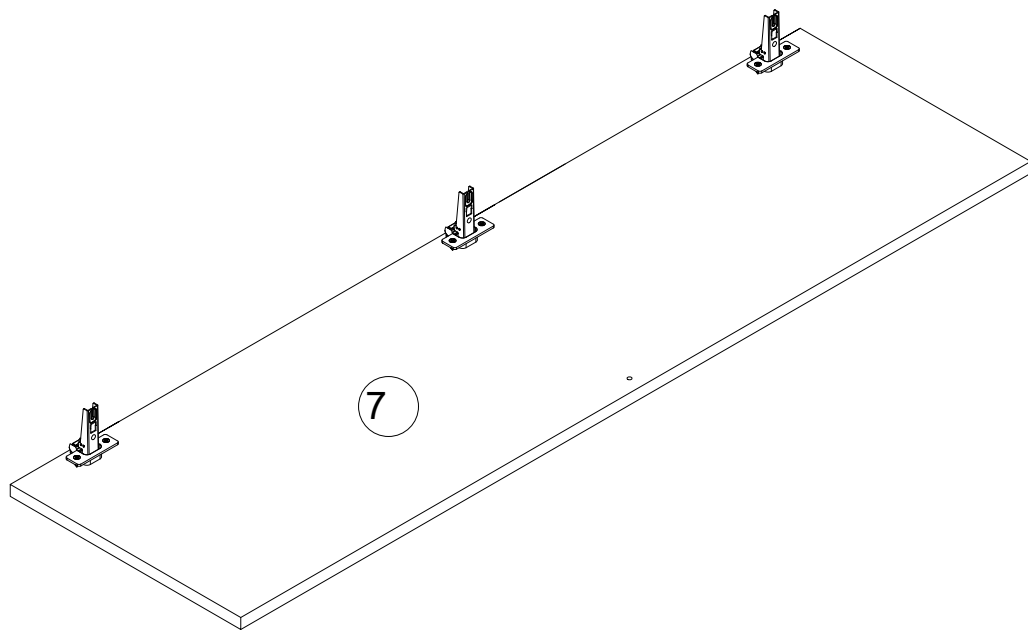


6

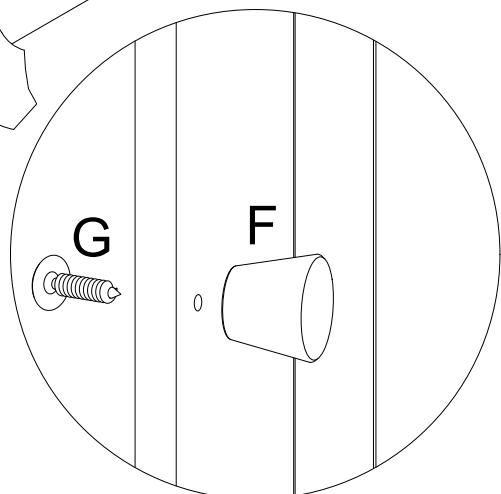
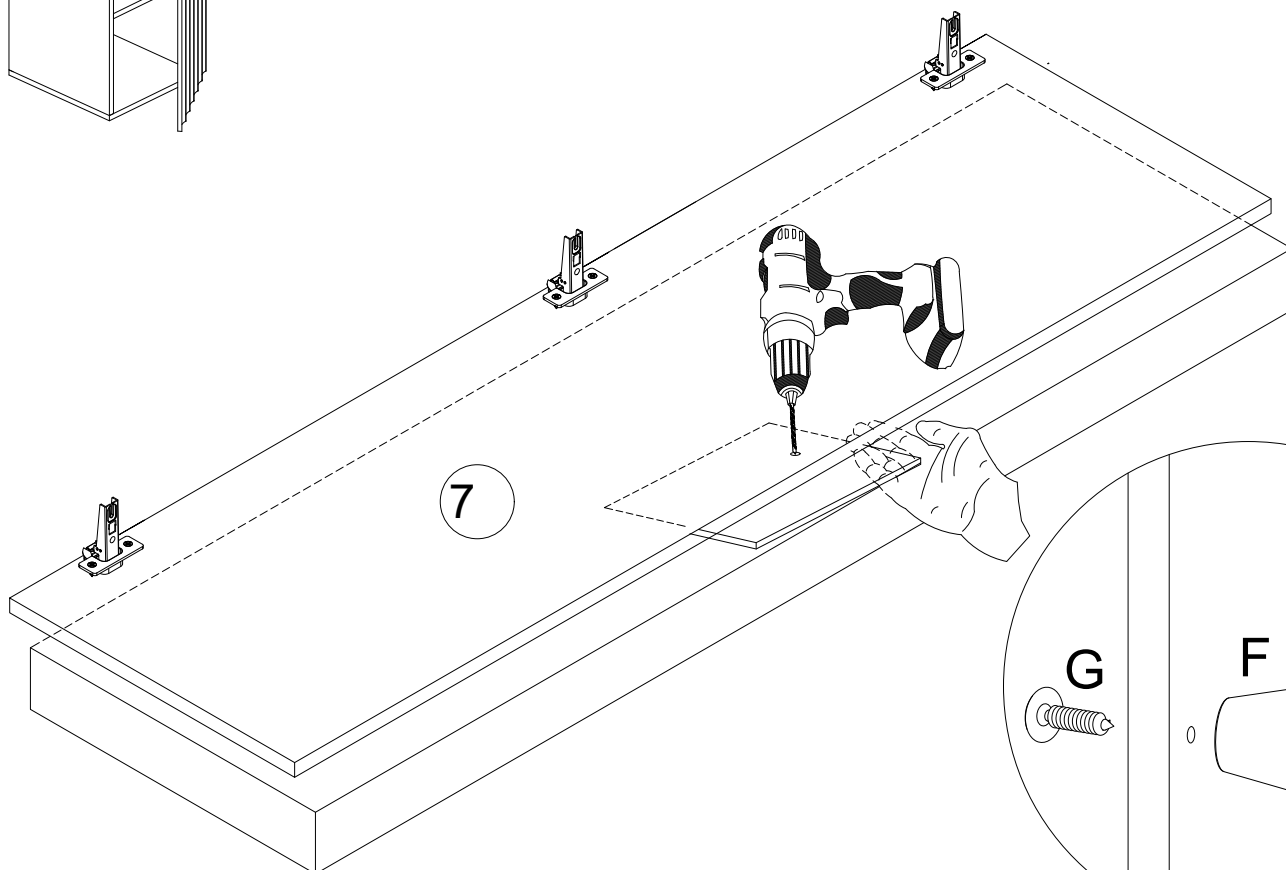
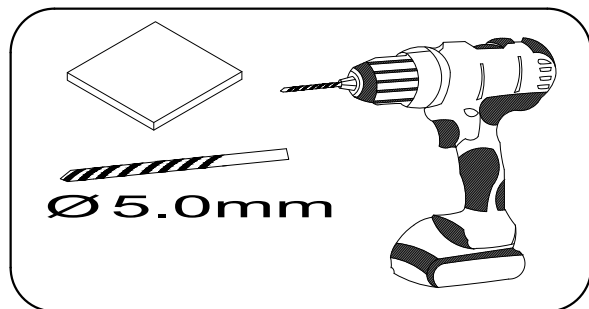




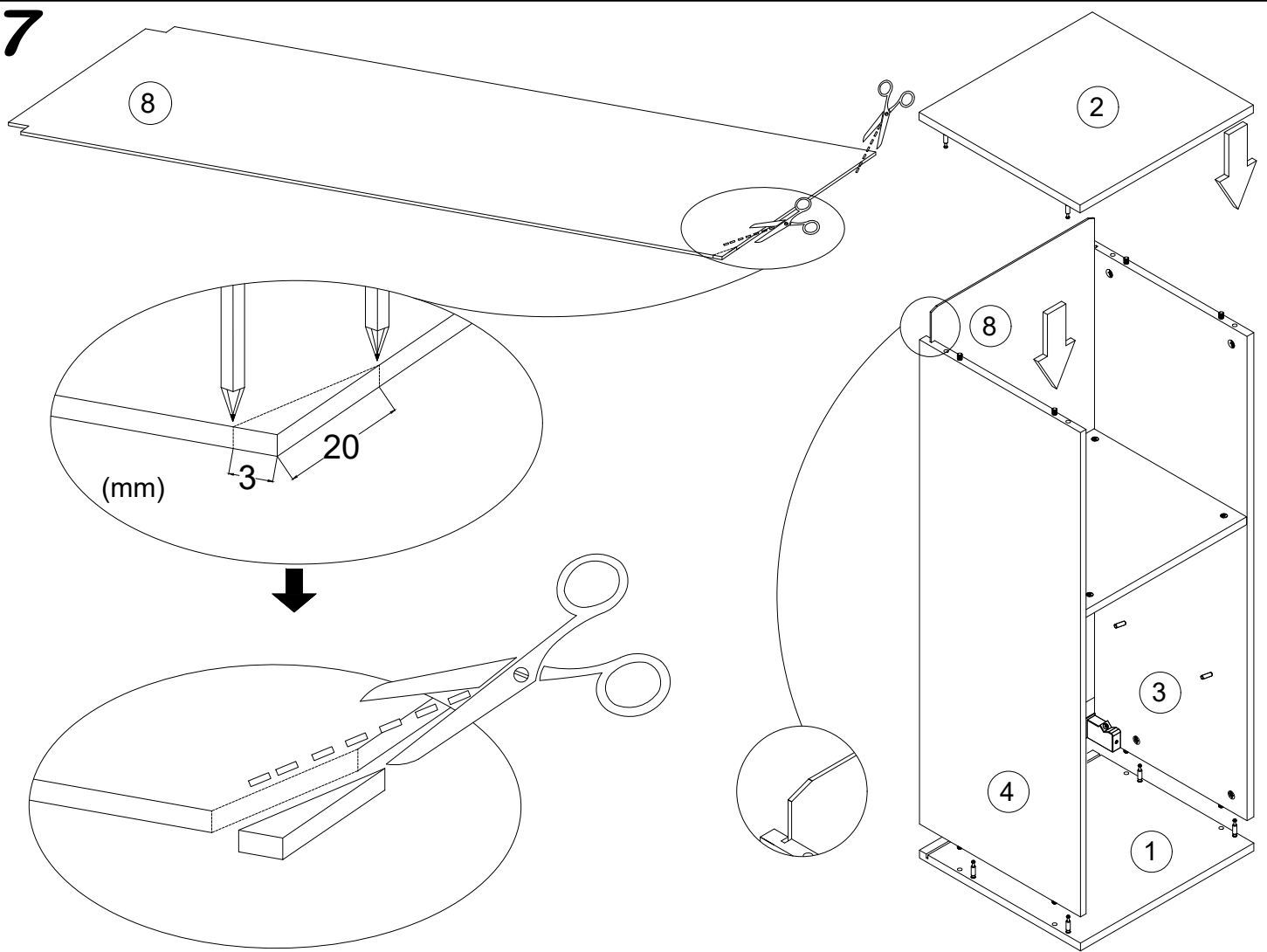
A / B



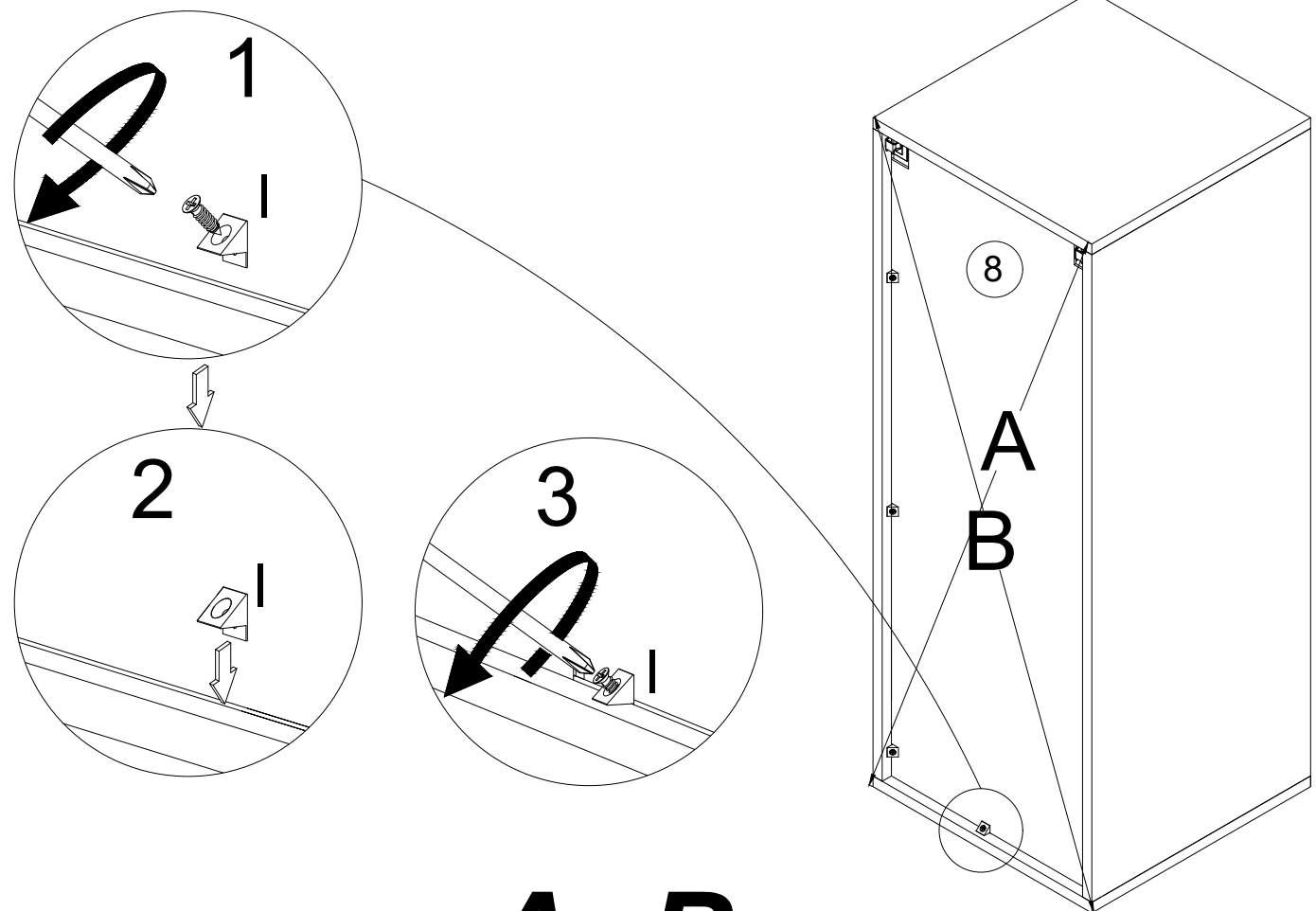
A1 / B1



7



8



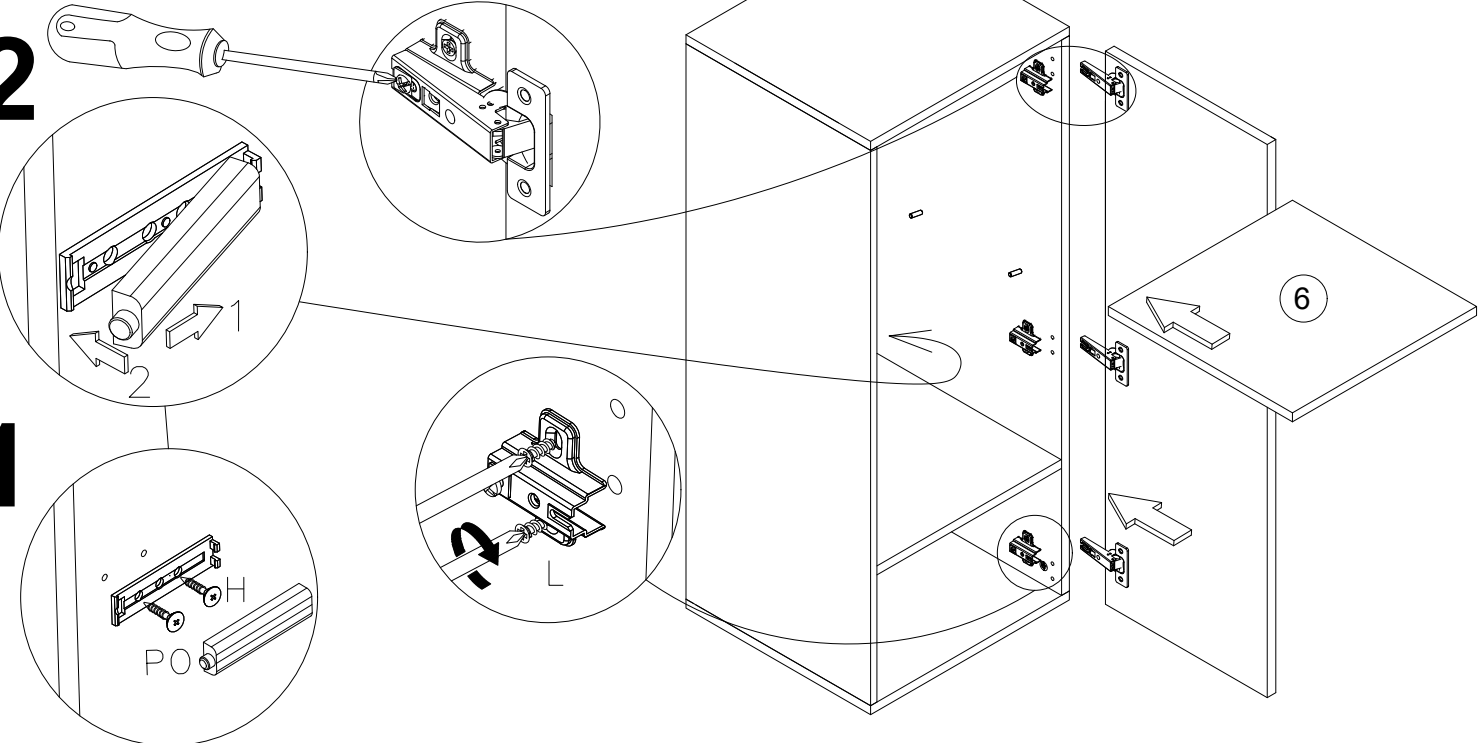
A=B

9

"A"

2

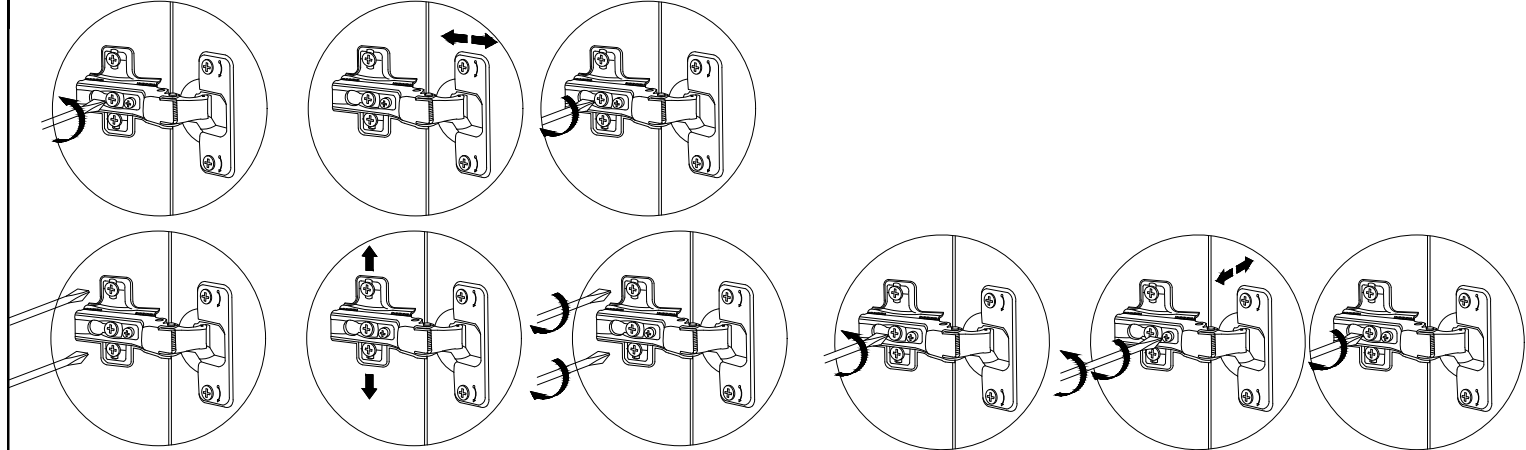
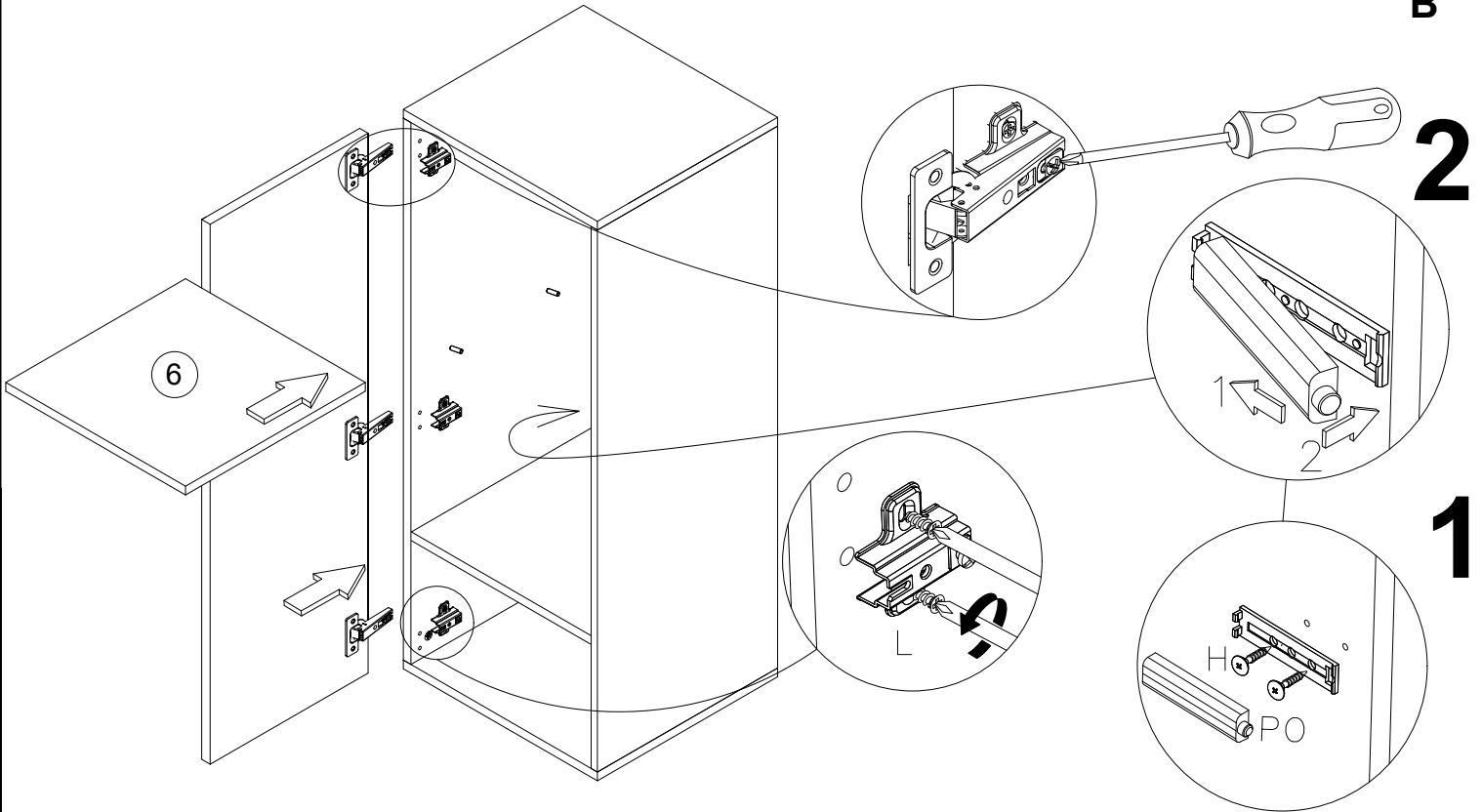
1

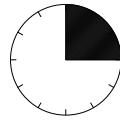
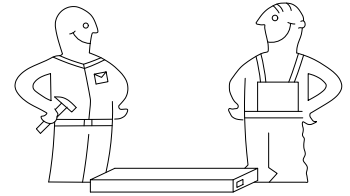


"B"

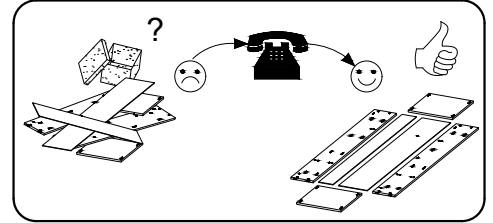
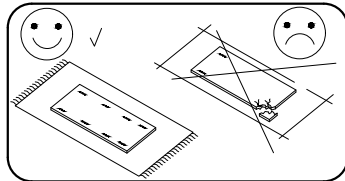
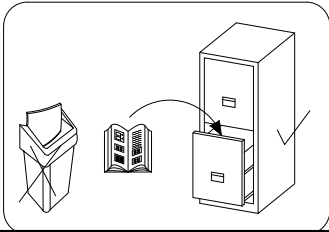
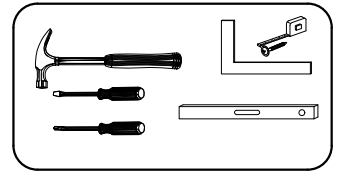
2

1





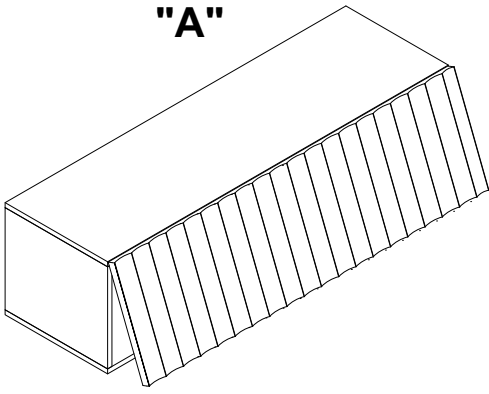
120 minut



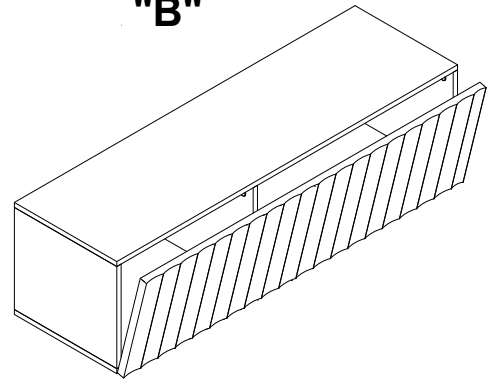
8.0x35 D 12	 X 12	 A 12	Ø15x12 B 12	 L 1	 P 8	 W 4	 I 6	 H 3
				4.0x25 G 1	 F 1	 SP 2	 Z 3	



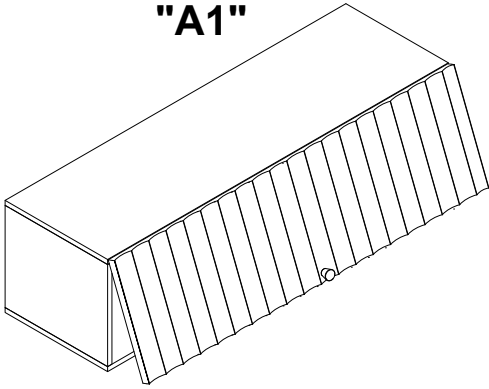
"A"



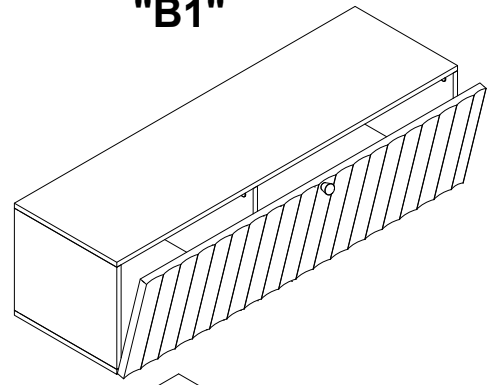
"B"



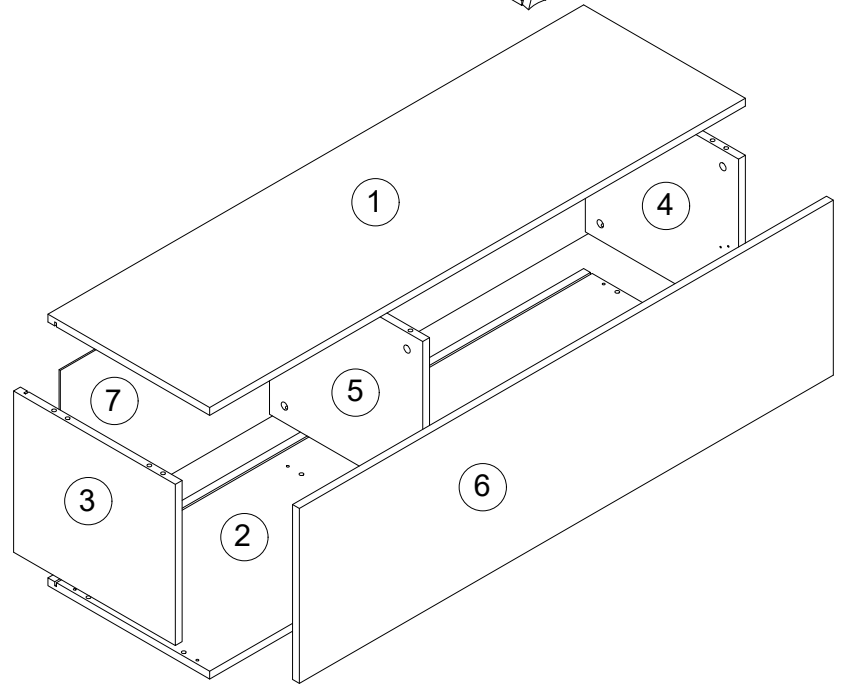
"A1"



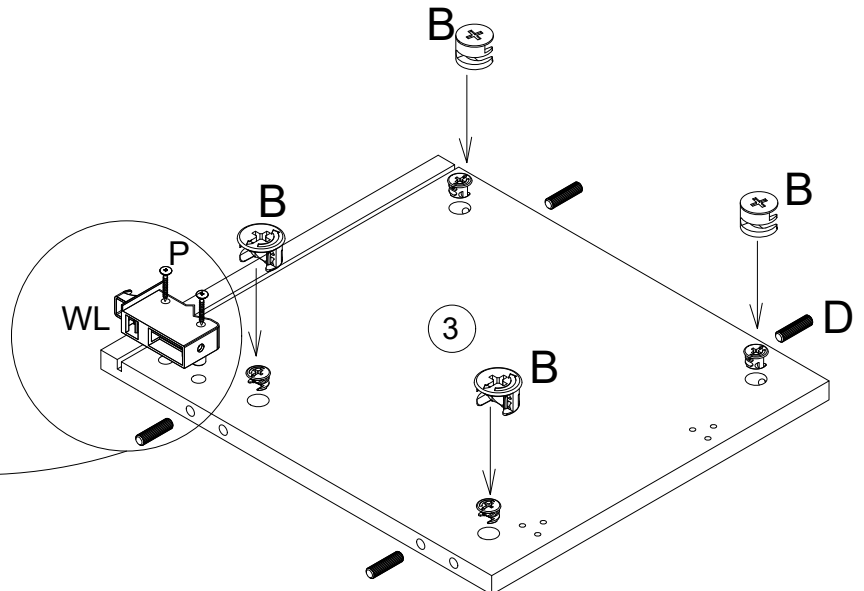
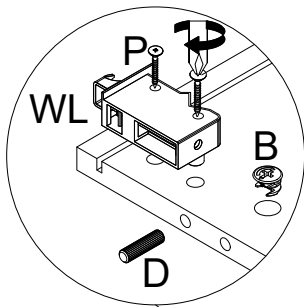
"B1"

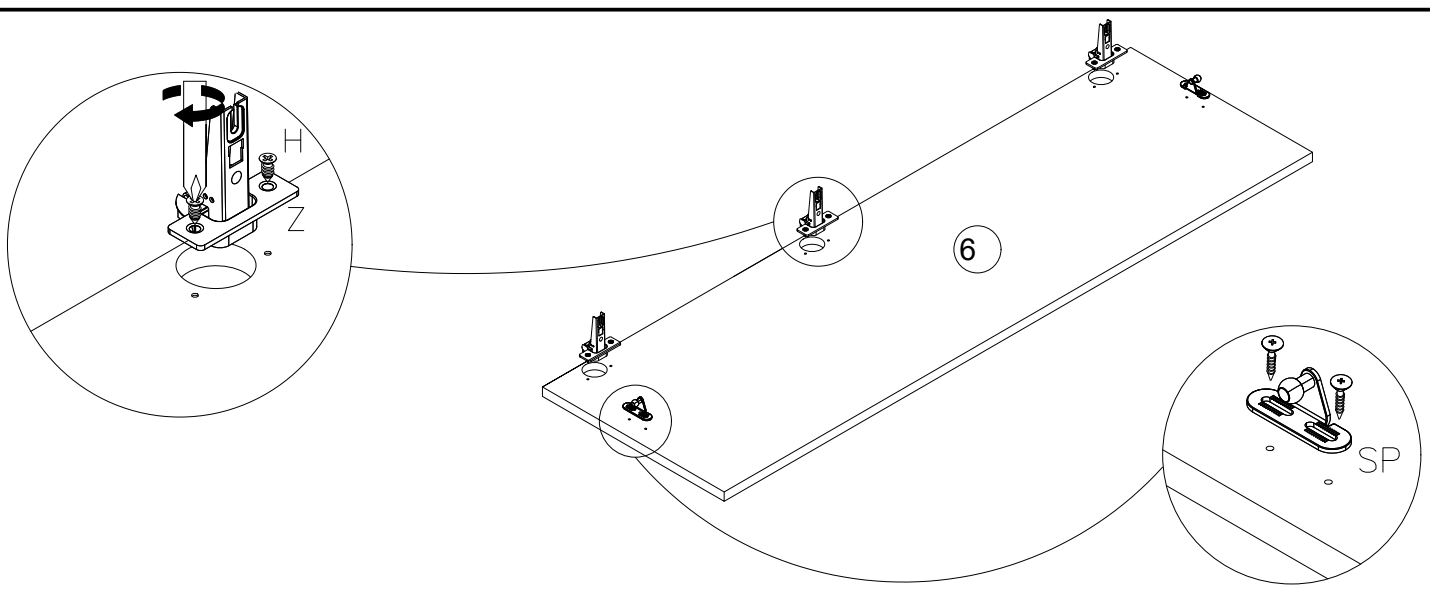
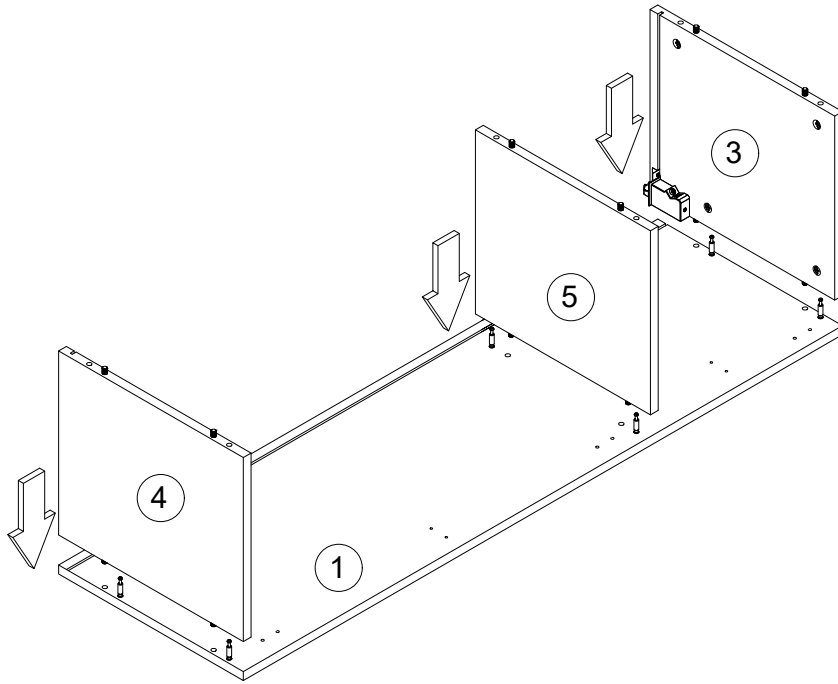
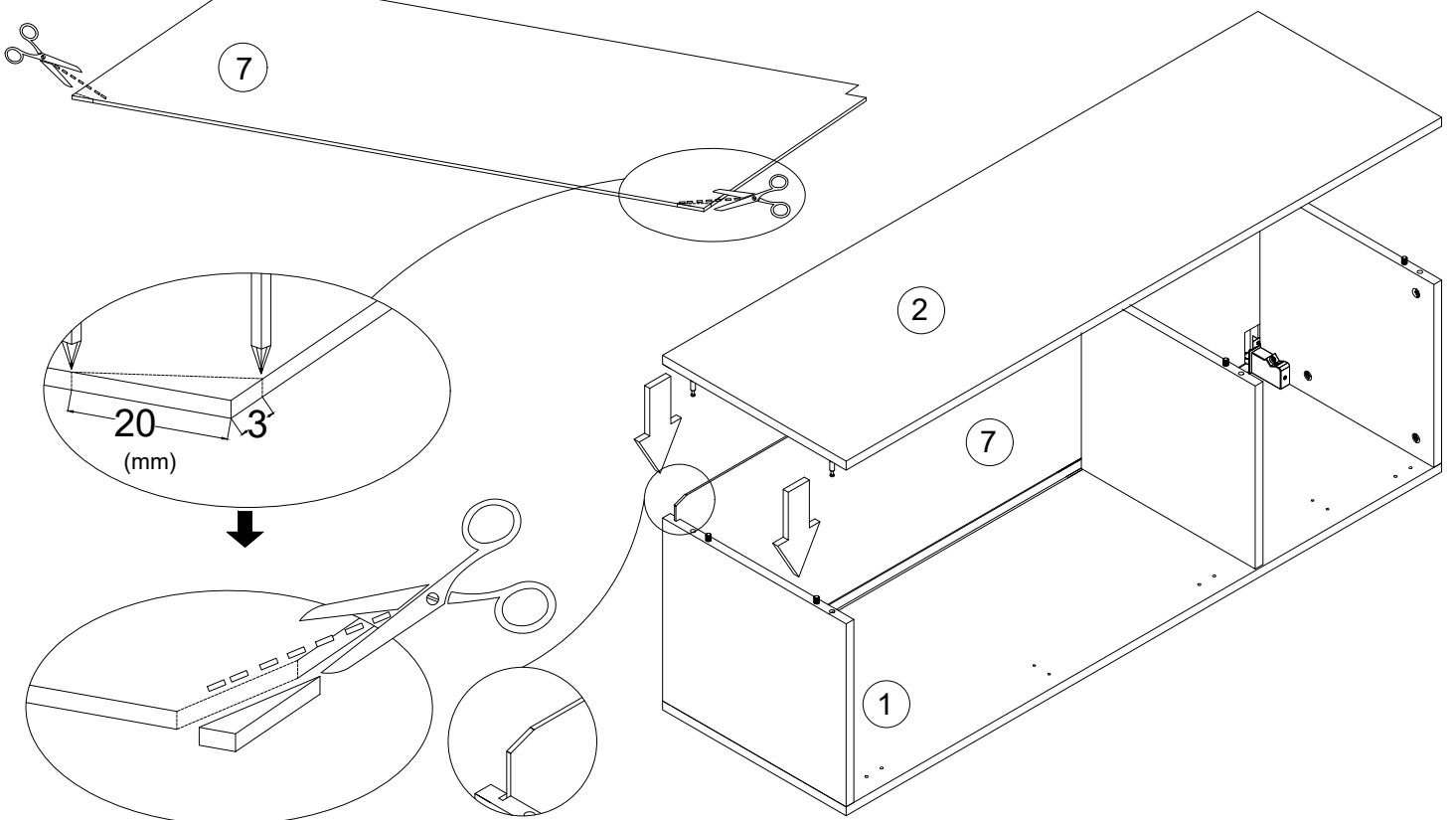


No.	Pcs.	L	W	D
1.	1	1000	380	16
2.	1	1000	380	16
3.	1	307	380	16
4.	1	307	380	16
5.	1	307	350	16
6.	1	995	335	16
7.	1	323	980	3

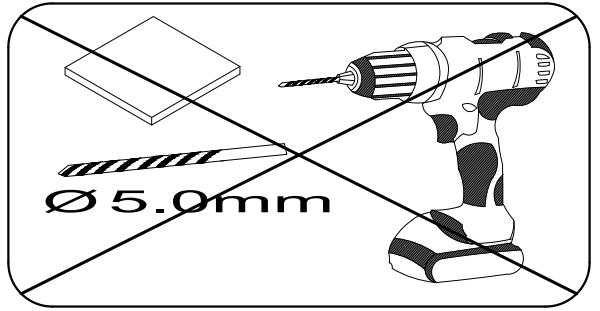
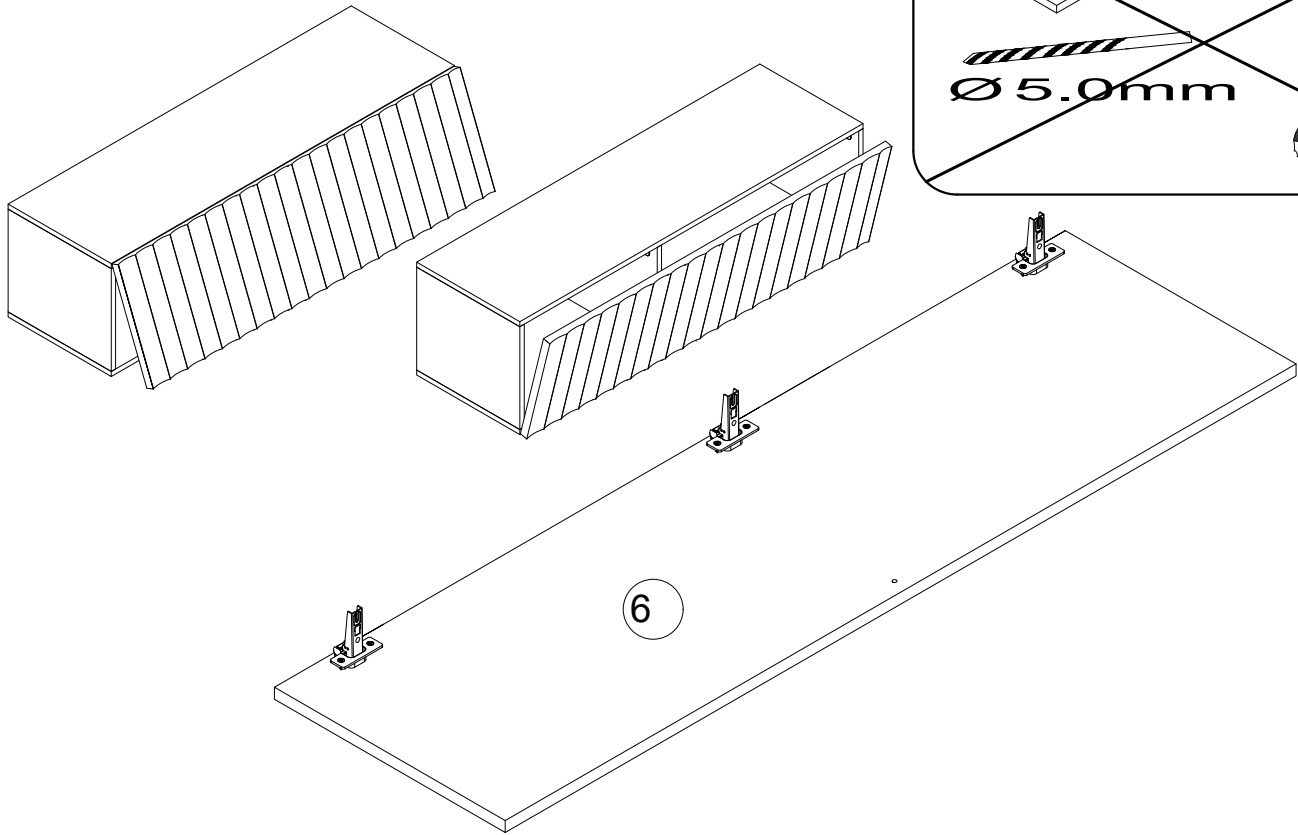


1

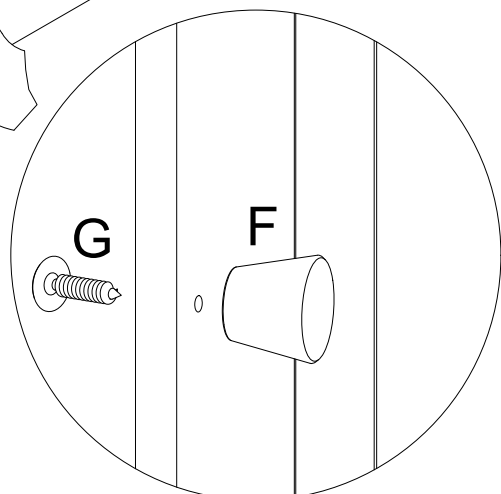
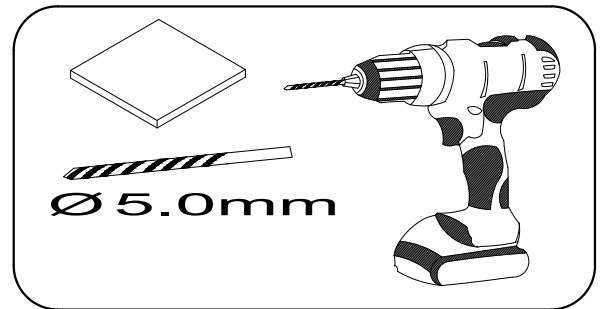
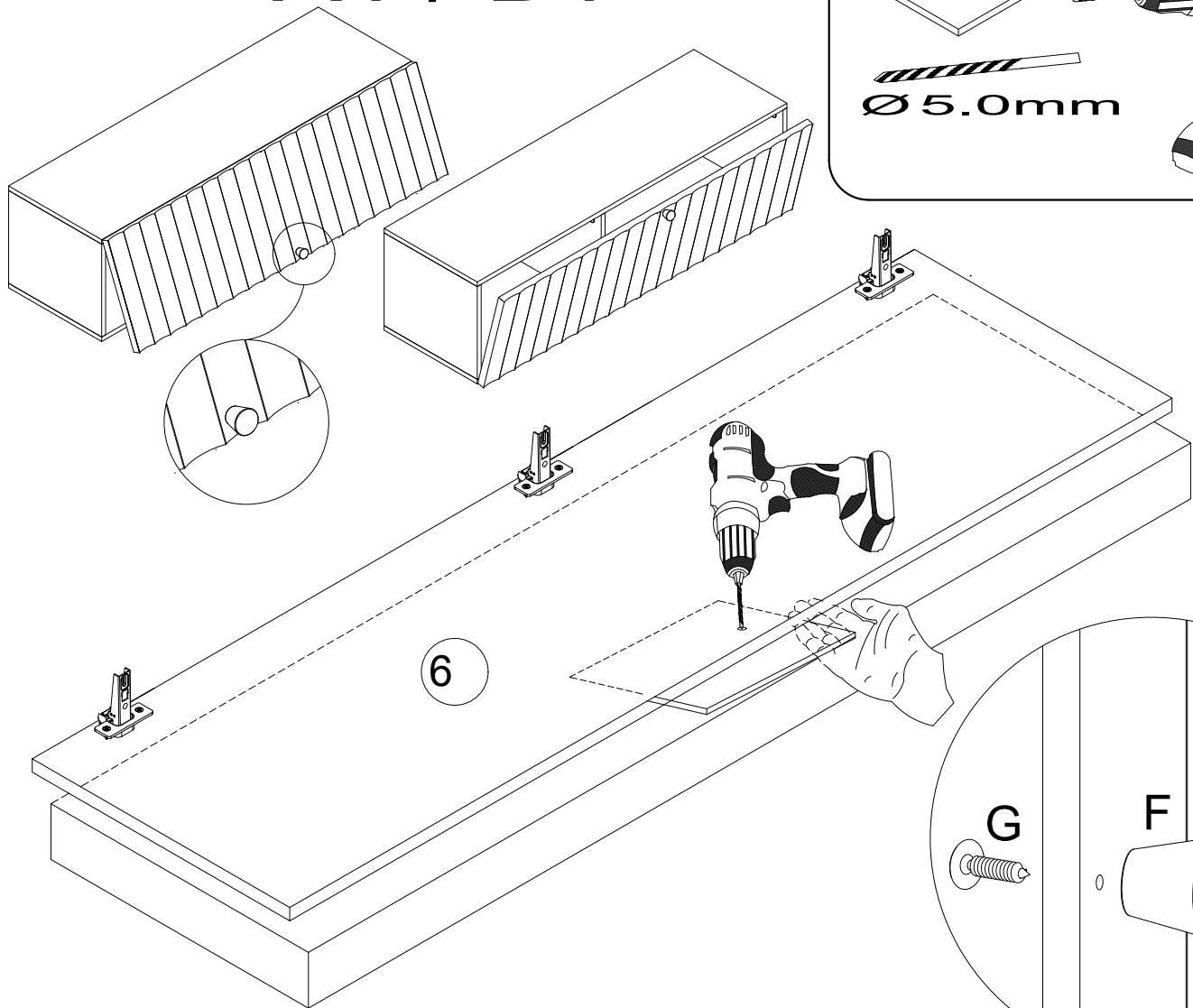


5**6****7**

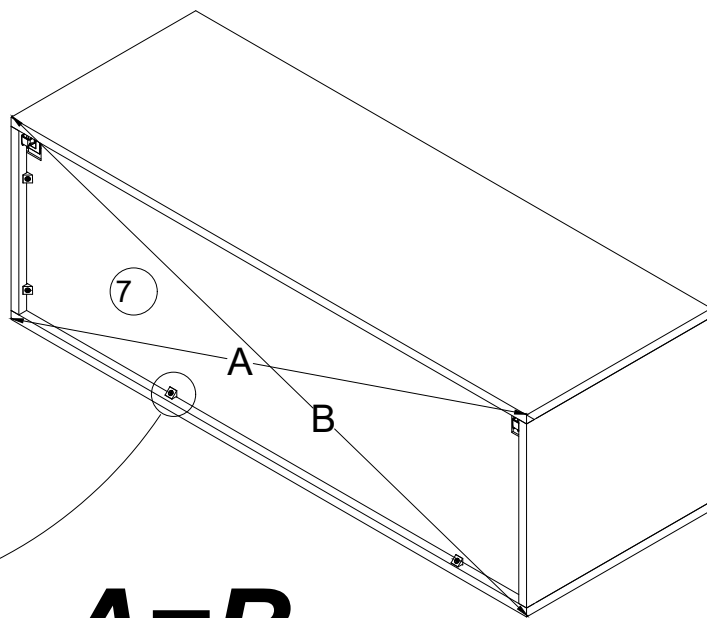
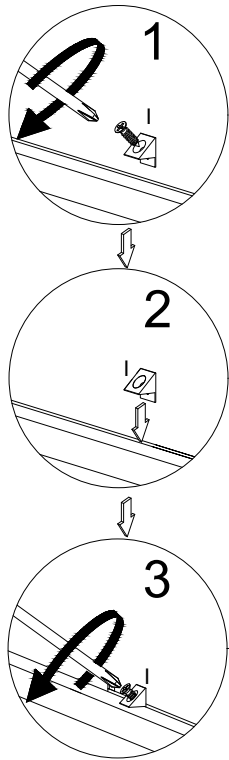
A / B



A1 / B1



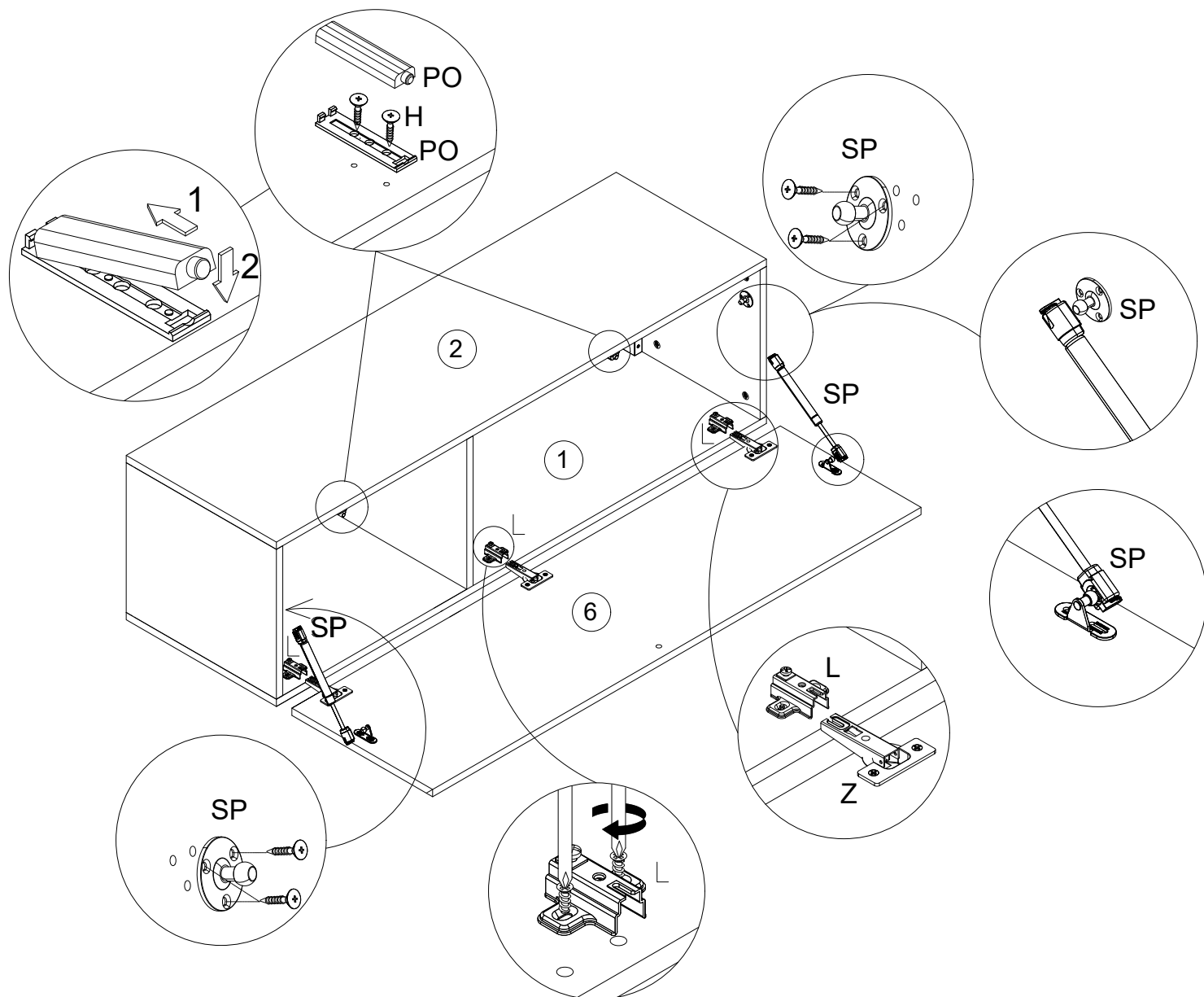
8



A=B

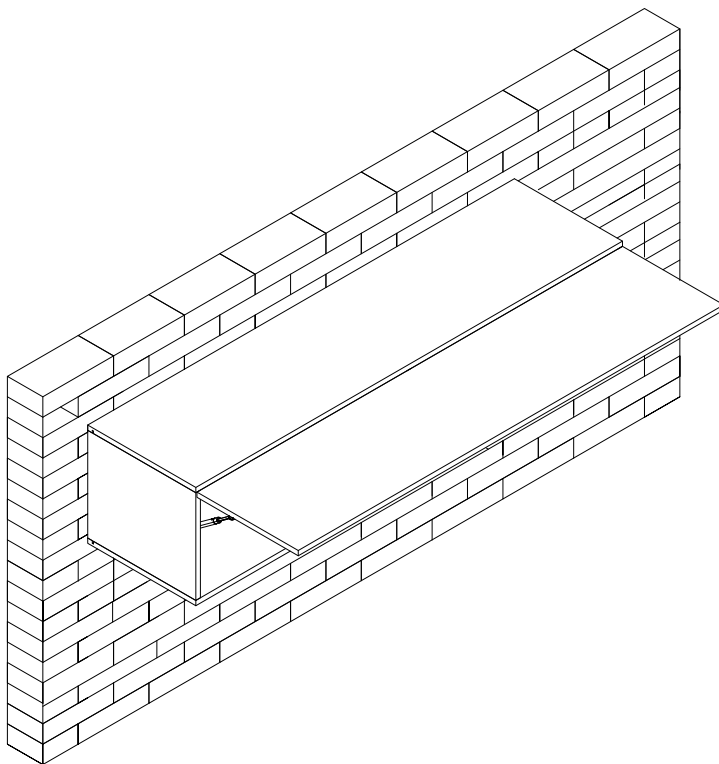
9

"A"



10

"A"



11

"B"

